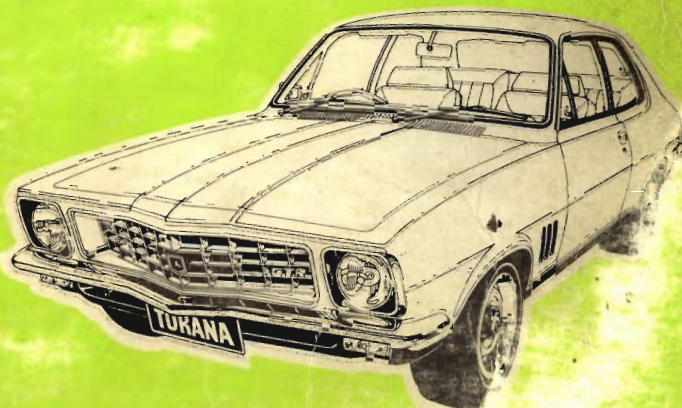
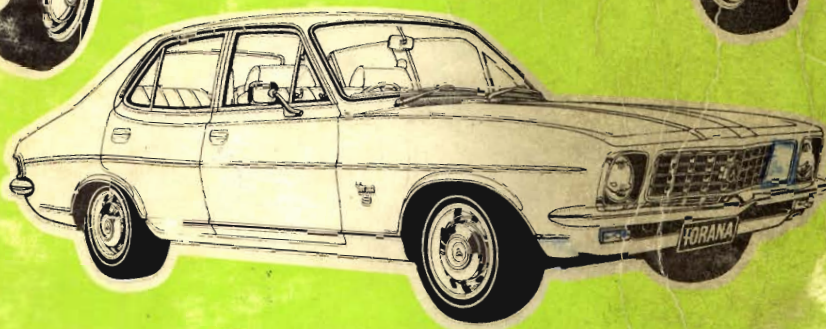




'LJ' TORANA

PARTS CATALOGUE

A "HOLDEN" PUBLICATION



LJ **TORANA**

Parts Catalogue

EFFECTIVE: JUNE, 1975.
 CATALOGUE NO. M37608 (Supersedes M37127)
 ISBN NO. 0 909989 46 X
 Printed in Australia.

CONTENT

INTRODUCTION – MODEL IDENTIFICATION

INDEX – ALPHABETICAL

CHASSIS

ENGINE – CLUTCH	0.000
COOLING – OILING	1.000
ELECTRICAL	2.000
FUEL – EXHAUST	3.000
TRANSMISSION BRAKE CONTROL	4.000
BRAKE OPERATING REAR AXLE	5.000
FRONT SUSPENSION STEERING	6.000
SPRINGS – BUMPERS	7.000
SHEET METAL	8.000
MISCELLANEOUS – ACCESS. AIR CONDITIONER – HEATER	9.000

BODY

DOORS HARDWARE – GLASS	10.000
CHANNELS MOULDINGS – SEAT PARTS	11.000
BODY MOULDINGS SHEET METAL	12.000
BODY WIRING HARNESS	13.000
HEADLININGS TRIM – SEAT BACKS	14.000
TRIM CARPETS – MATS	15.000

INDEX – NUMERICAL

COPYRIGHT – GENERAL MOTORS-HOLDEN'S PTY. LTD.
 Reproduction in whole or in part prohibited without written approval.

INTRODUCTION

This Holden Torana Parts Catalogue has been compiled to cover Replacement Parts, Kits and Accessories applicable to the 'LJ' Series.

CONTENTS:

Parts and Accessories Catalogued, are arranged as follows:—

- Introduction
- Model/Series Identification
- Alphabetical Index
- Chassis Parts Listing Groups 0.000 — 9.787
- Body Parts Listing Groups 10.001 — 15.520
- Numerical Index

GROUP SYSTEM AND HOW TO LOCATE PARTS:

The Group System used is identical with that operating throughout the General Motors Organisation and briefly is as follows:—

Main units of the car are identified by the Numeral preceding the Decimal, i.e.,

Engine	0.
Cooling and Oiling	1.
Electrical	2.
Fuel System	3.

Individual Parts are assigned a Group Number, the first Numeral identifying the Main Unit with which it is affiliated. Following the Decimal is the Sub-Group Number, under which all parts of the same name and function are listed; for instance: Group 0.096: '0' indicates that it is an Engine part. ".096" is the location where all Part Numbers of Crankshaft Front Bearing Units now being serviced may be found.

To locate the listing of a Part, determine the model vehicle and refer to the Catalogue under the Group Number identifying it, which may be determined by using any of the following three methods:

1. Consult Alphabetical Index, at front of Catalogue, which lists Parts by noun and descriptive names and refers to the exact Group Number where all Parts of similar kind may be found. If Name of desired Part is not readily found in the Index, a co-related Part Name will suggest approximate location.
2. Consult Illustrations in this publication, on which Group Numbers, Part Numbers and Noun Names are shown, which will refer to the Part or Assembly required.
3. Consult Numerical Index if a Part Number is known, and use its Group Number to locate a similar part, or be directed to the approximate location of co-related Parts.

HOLDEN "LJ" PARTS CATALOGUE

OPTION EQUIPMENT and HOW TO INTERPRET:

As optional equipment which includes items such as Engines, Transmissions, Brakes, Seats together with alternate types and colours of interior trim is available to the customer's choice the cataloging of replacement parts, where differences exist, has been achieved by stipulating the type of equipment against the specific part.

The method used to indicate major units or equipment is as follows:—

ENGINE:— 4 Cylinder. Further qualified if necessary.
6 Cylinder. Further qualified if necessary.

Additional identification, if required, is provided by reference to the Rocker Cover/Air Cleaner Transfer or Engine No. Prefix — Refer Engine Identification and Specifications.

TRANSMISSION:

(M) — Manual Transmission. Further qualified if necessary.
(A) — Automatic Transmission. Further qualified if necessary.

BRAKES:

Drum Brakes — Drum brakes on all wheels.
Power Brakes — Drum brakes on all wheels, power assisted.
Power brake qualification added only when necessary to differentiate from un-assisted Drum Brakes.
Disc Brakes — Disc brakes on front wheels, drum brakes on rear wheels.

BODY:

Body Style Numbers are:— 11 Two Door Sedan.
69 Four Door Sedan.

SEATS:

Bench Seats — Single full width front seat.
Bucket Seats — Twin front seats, folding type — Further qualified if necessary.

DIMENSIONS:

When using the dimensions and other data shown in the Description Column the following should be noted:

1. "length overall" refers to the total length of a part measured over the longest dimension. An irregular shaped piece is measured over the longest dimension regardless of contours and bends.
2. "dev. length" (Developed length) refers to the total length of a part such as a tail pipe or fuel pipe measured as though the pipe were straightened out. This measurement can be taken on formed pipes by using a string to follow the contours of the pipe and then measuring the length of string used.
3. "I.D." refers to inside diameter; "O.D." refers to outside diameter; "O.S." refers to oversize; "U.S." refers to undersize.

ILLUSTRATIONS:

Illustrations are included to assist in the identification of Parts, but as some parts which perform a similar function vary in detail of design etc., all illustrations should be regarded as typical.

SPECIAL NOTE — SIDE:

Provision is made between the "Description/Model and Part No." columns to indicate when the item is for fitment to the LH (Left Hand) or RH (Right Hand) side of the vehicle. These letters are NOT a prefix to the Part Number and MUST NOT be quoted as such.

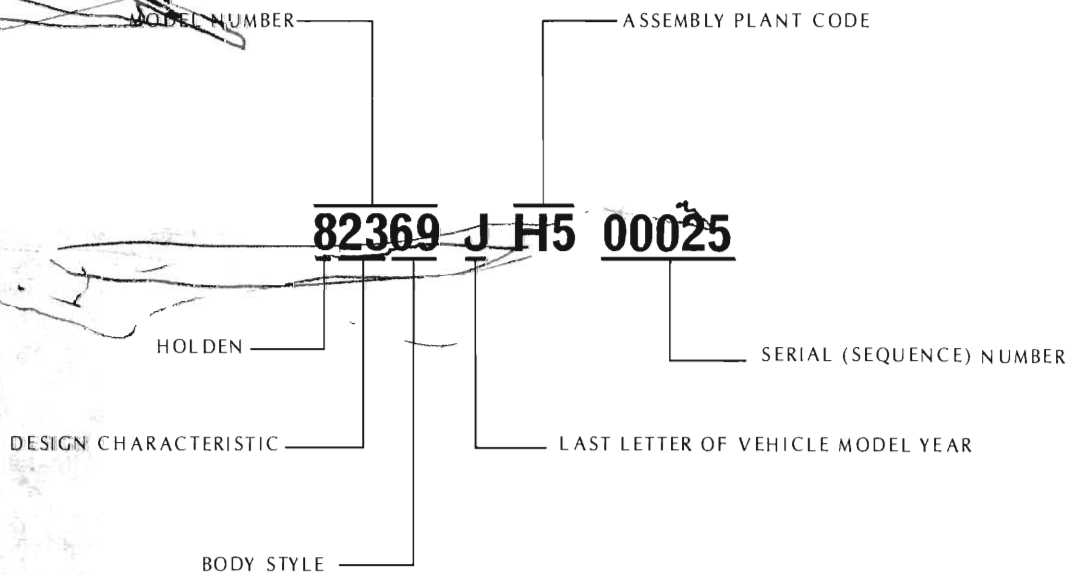
HOLDEN "LJ" PARTS CATALOGUE

MODEL IDENTIFICATION BY V.I.N. PLATE:

LOCATION: Right Hand Side Upper Radiator Support Panel.

The Vehicle Identification Numbering System (V.I.N.) is based on the uniform Car Model Designation System. The reason for this is to identify the vehicle entirely in one coded series of thirteen characters.

The significance of these characters or blocks of characters is explained below, using as an example identification number, 82369JH500025.



The first five digits will designate the model, the sixth digit denotes the year model in letter form, digits seven and eight denote the Assembly Plant Identification Code. The eighth character is also the first digit of the serial number; the remaining five digits represent the sequence number in which the vehicle was built at the Plant concerned.

HOLDEN "LJ" PARTS CATALOGUE

MODEL DESIGNATION:

4 Cylinder Engine Series



82211



82869

CODE

MODEL

82211	Torana	Standard Two Door Sedan
82411	Torana	De Luxe Two Door Sedan
82469	Torana	De Luxe Four Door Sedan
* 82811	Torana	De Luxe Two Door Sedan
* 82869	Torana	De Luxe Four Door Sedan

NOTE: * Fitted with either 1600 or 1760 O.H.C. Engines.



82311



82369

6 Cylinder Engine Series



82569



82911

CODE

MODEL

† 82311	Torana	'S'	Two Door Sedan
† 82369	Torana	'S'	Four Door Sedan
† 82569	Torana	'SL'	Four Door Sedan
● 82911	Torana	'GTR'	Two Door Sedan

NOTE: † Available in Left Hand Drive with Floor Shift Transmission only.

- Included in the Options available with this Model, Production Option XU1 comprises a special 3300 cc Engine and other High Performance Equipment.

HOLDEN "LJ" PARTS CATALOGUE

ENGINE IDENTIFICATION and SPECIFICATIONS:

4 Cylinder Locations — 1160

70 Right Hand Side Top Front Cylinder Case below Nos.1 and 2 Spark Plugs.
1300

1600 Pad Right Hand Side rear of Engine Case adjacent to Clutch Housing.

1760

6 Cylinder Locations — Pad above Engine Mounting Bosses: Right Hand Side of Engine.

TRANSFER ON ROCKER COVER OR AIR CLEANER	NO. OF CYLINDERS	BORE	STROKE	COMP. RATIO	ENGINE NO. PREFIX
1160	4	3.062"	2.40"	8.5:1	—
70	4	3.062"	2.40"	9.0:1	—
1300	4	3.186"	2.396"	8.5:1	—
1600	4	3.375"	2.726"	8.5:1	—
1760	4	3.375"	3.00"	7.3:1	—
Low Compression 2250	6	3.125"	3.00"	7.8:1	CC
2250	6	3.125"	3.00"	9.2:1	CB
Low Compression 2850	6	3.50"	3.00"	8.3:1	CE
2850	6	3.50"	3.00"	9.4:1	CD
3300	6	3.62"	3.25"	9.4:1	JL
* Production Option XU1	6	3.62"	3.25"	10.3:1	JP

NOTE: * Equipped with three Carburettors. Many parts are common with the 3300 Engine and these are catalogued as 3300 Eng. Parts peculiar to the XU1 version are catalogued as XU1 Eng.

INTERIOR TRIM:

All items of trim are identified by a part number consisting of a basic number which identifies the item, and a suffix consisting of alphabetical symbols which denotes the colour, etc.

BASIC NO.	SUFFIX	COMPLETE NO.
2819299	CY	2819299CY

To interpret trim requirements (see Note) it is necessary to determine the model and trim number from the plate attached to the radiator upper support beneath the engine hood, also the type of seats etc., fitted.

NOTE: For coloured components other than seat cushions, back covers and door trims, it will be necessary to ascertain the colour of the part required instead of the Trim Combination Number.

HOLDEN "LJ" PARTS CATALOGUE

TRIM NUMBER CHART:

NOTE:— "Colour" in this chart indicates the colour of the trim on seat cushions and backs.

TRIM NO.	COLOUR	TRIM NO.	COLOUR	TRIM NO.	COLOUR
40A	Black	47F	Venetian Green	55D	Ash
40D	Black	48C	Sandalwood	55E	Ash
40E	Black	48D	Flax	55G	Ash
40R	Black	48E	Flax	55J	Ash
40T	Black	48F	Sandalwood	55R	Ash
40U	Black	48R	Flax	55T	Ash
40X	Black	48U	Flax	55X	Ash
40Y	Black	48X	Flax	55Y	Ash
40Z	Black	48Y	Flax	56D	Juniper
41A	Saddle	49A	Brown	56E	Juniper
41C	Antique Gold	49D	Antique Brown	56G	Juniper
41D	Antique Saddle	49E	Antique Brown	56J	Juniper
41E	Antique Saddle	49R	Antique Brown	56R	Juniper
41F	Antique Gold	49T	Antique Brown	56T	Juniper
41R	Antique Saddle	49X	Antique Brown	56X	Juniper
41T	Antique Saddle	49Y	Antique Brown	56Y	Juniper
41X	Antique Saddle	50A	Black	58C	Doeskin
41Y	Antique Saddle	50D	Black	58D	Doeskin
42A	Red	50E	Black	58E	Doeskin
42B	Red	50G	Black	58F	Doeskin
42C	Baroque Red	50H	Black	58G	Doeskin
42D	Calypso Red	50J	Black	58H	Doeskin
42E	Calypso Red	50K	Black	58J	Doeskin
42F	Baroque Red	50R	Black	58K	Doeskin
42R	Calypso Red	50T	Black	58R	Doeskin
43C	Turquoise Mist	50U	Black	58S	Doeskin
43F	Turquoise Mist	50X	Black	58T	Doeskin
44C	Twilight Blue	50Y	Black	58V	Doeskin
44D	Medium Blue	52A	Red	58X	Doeskin
44E	Medium Blue	52D	Cinnabar	58Y	Doeskin
44F	Twilight Blue	52E	Cinnabar	58Z	Doeskin
44R	Medium Blue	52R	Cinnabar	59A	Brown
44X	Medium Blue	54A	Blue	59D	Chestnut
44Y	Medium Blue	54D	Indigo	59E	Chestnut
46D	Olive Green	54E	Indigo	59G	Chestnut
46E	Olive Green	54G	Indigo	59J	Chestnut
46R	Olive Green	54J	Indigo	59R	Chestnut
46S	Olive Green	54R	Indigo	59T	Chestnut
46T	Olive Green	54T	Indigo	59X	Chestnut
46X	Olive Green	54X	Indigo	59Y	Chestnut
46Y	Olive Green	54Y	Indigo		
47C	Venetian Green	55A	Grey		

NOTES

ALPHABETICAL INDEX

A

ABUTMENT - Gear shift control lever	4.006
ACTUATOR - Trans. neutral starting safety switch	4.054
ACTUATOR - Trans. parking brake lock	4.294
ADAPTOR - Air cleaner	3.403
ADAPTOR - Crankcase ventilator	1.762
ADAPTOR - Differential pinion flange	5.545
ADAPTOR - Engine sender unit	0.277
ADAPTOR - Front cross member mounting ..	6.008
ADAPTOR - Horn actuating bar	2.824
ADAPTOR - Inlet manifold pipe	3.260
ADAPTOR - Oil filter	1.835
ADAPTOR - Transmission rear bearing	4.317
ADAPTOR - Trans. support mounting	4.081
ADAPTOR - Trans. vacuum modulator pipe ..	4.205
ADJUSTER - Brake	5.103
ADJUSTER - Carburettor orifice jet	3.802
ADJUSTER - Front seat	11.561
ADJUSTER - Trans. control rod	4.019
AIR CLEANER & SILENCER	3.402
AIR CONDITIONER PACKAGE	9.168
AIR HORN - Carburettor	3.763
ANCHOR - Clutch cable	0.787
ANTENNA - Radio	9.662
ANTI-FREEZE	8.800
ARM - Fuel pump rocker	3.920
ARM - Lower control	6.168
ARM - Rear axle suspension	5.382
ARM - Steering	6.103
ARM - Upper control	6.168
ARM - Valve rocker	0.333
ARM - Windshield wiper	10.147
ARM - Wiper motor crank	10.150
ARM REST - Front door	14.686
ARM REST - Rear door	14.762
ARM REST - Rear quarter	14.762
ARMATURE - Starter motor	2.043
ARMATURE - Wiper motor	10.150
ARRESTOR - Transmission mounting	4.081
ARRESTOR - Transmission support	4.081
ASH TRAY - Instrument panel	12.009
ASH TRAY - Rear door	12.030
ASH TRAY - Rear quarter	12.030
AUXILIARY - Shaft	0.519
AXLE - Rear	5.386

B

BACK - Rear seat	14.998
BAFFLE - Carb. float chamber	3.776
BAFFLE - Heater duct	9.779
BAFFLE - Trans. rear bearing housing	4.318
BAIL - Brake main cylinder cover	4.651
BAIL & SCREW - Fuel pump	3.906
BALL - Carb. pump check	3.760
BALL - Counter gear shaft	4.428
BALL - Distributor breaker plate retaining ..	2.385
BALL - Oil filter	1.837
BALL - Reverse idler gear shaft	4.433
BALL - Speedometer drive gear	4.337

B

BALL - Steel	8.899
BALL - Transmission detent cam	4.311
BALL - Transmission selector fork	4.311
BALL - Transmission selector lock	4.311
BALL - Transmission selector shaft	4.108
BALL - Valve rocker arm	0.429
BALL - Wiper motor	10.150
BALL JOINT - Control arm	6.168
BAND - Transmission brake	4.251
BAND - Transmission reaction	4.251
BAR - Bumper face	7.831
BAR - Carb. air horn reinforcing	3.763
BAR - Carb. choke starter	3.791
BAR - Horn actuating	2.830
BARREL & KEY - Deck lid	12.248
BARREL & KEY - Door locking	10.550
BASE - Tail, stop & turn signal lamp	2.679
BASE - Dome lamp	11.925
BATTERY	2.332
BEARING - Auxiliary shaft front	0.539
BEARING - Auxiliary shaft rear	0.549
BEARING - Axle shaft	5.855
BEARING - Brake main cylinder rod end	4.662
BEARING - Camshaft centre	0.544
BEARING - Camshaft front	0.539
BEARING - Camshaft rear	0.549
BEARING - Camshaft thrust	0.533
BEARING - Clutch cable	0.787
BEARING - Clutch gear	4.355
BEARING - Clutch over-centre spring pivot ..	0.848
BEARING - Clutch pedal	0.831
BEARING - Clutch pilot	0.649
BEARING - Clutch throw-out	0.799
BEARING - Connecting rod	0.616
BEARING - Counter gear	4.422
BEARING - Crankshaft centre	0.101
BEARING - Crankshaft front	0.096
BEARING - Crankshaft rear	0.106
BEARING - Differential side	5.536
BEARING - First speed gear	4.419
BEARING - Front wheel inner	6.311
BEARING - Front wheel outer	6.313
BEARING - Gearshift tube lower	4.007
BEARING - Generator drive end	2.306
BEARING - Generator slip ring end	2.298
BEARING - Jockey pulley	1.065
BEARING - Low sun gear thrust	4.177
BEARING - Main shaft front	4.352
BEARING - Main shaft rear	4.408
BEARING - Pinion front	5.447
BEARING - Pinion rear	5.484
BEARING - Steering gear	6.530
BEARING - Steering shaft	6.524
BEARING - Throttle linkage	3.430
BEARING - Transmission planet	4.177
BEARING - Trans. planet pinion needle	4.177
BEARING - Trans. shift tube to stg. jacket ..	4.007
BEARING - Transmission output shaft	4.408
BEARING SET - Camshaft	0.536
BEARING SET - Connecting rod	0.616

HOLDEN "LJ" PARTS CATALOGUE

BEARING SET - Crankshaft	0, 094	BOLT - Differential case	5, 510
BEARING UNIT - Connecting rod	0, 616	BOLT - Differential pinion flange	5, 546
BEARING UNIT - Crankshaft centre	0, 101	BOLT - Distributor clamp	2, 414
BEARING UNIT - Crankshaft front	0, 096	BOLT - Fillister head	8, 907
BEARING UNIT - Crankshaft front inter.	0, 099	BOLT - Flat head	8, 908
BEARING UNIT - Crankshaft rear	0, 106	BOLT - Flywheel to crankshaft	0, 669
BEARING UNIT - Crankshaft rear inter.	0, 103	BOLT - Front cross member	6, 008
BELT - Camshaft	0, 727	BOLT - Front propeller shaft housing	4, 317
BELT - Fan and generator	1, 066	BOLT - Front seat side arm to cushion	11, 377
BELT - Front seat	14, 798	BOLT - Front seat to underbody	11, 561
BELT - Rear seat	15, 040	BOLT - Front shock absorber	7, 370
BLADE - Fan	1, 064	BOLT - Fuel pump to cylinder block	3, 900
BLADE - Windshield wiper	10, 146	BOLT - Gearshift control bracket	4, 019
BLEEDER - Carb. high speed	3, 751	BOLT - Gearshift selector lever pivot	4, 022
BLEEDER - Carb. idle air	3, 744	BOLT - Generator brush plate	2, 291
BLOCK - Carburettor emulsion	3, 752	BOLT - Generator rectifier	2, 289
BLOCK - Cylinder	0, 033	BOLT - Generator terminal shroud	2, 313
BODY ASSEMBLY	10, 001	BOLT - Generator through	2, 316
BODY - Back-up lamp harness terminal	2, 697	BOLT - Hand brake cable hook	4, 826
BODY - Body wiring terminal	13, 090	BOLT - Hexagon head	8, 900
BODY - Brake main cylinder	4, 650	BOLT - Hood bumper	8, 024
BODY - Carburettor economy device	3, 806	BOLT - Hood lock	8, 075
BODY - Carburettor main	3, 748	BOLT - Manifold	3, 275
BODY - Carburettor throttle	3, 727	BOLT - Oil pump to cylinder block	1, 652
BODY - Connector	9, 779	BOLT - Oval head	8, 909
BODY - Courtesy light switch	11, 950	BOLT - Pan head	8, 910
BODY - Fuel pump	3, 902	BOLT - Rear axle housing	5, 387
BODY - Handbrake warning lamp switch.	4, 610	BOLT - Rear axle suspension	5, 382
BODY - Main wiring harness terminal	2, 555	BOLT - Rear spring	7, 552
BODY - Oil pump	1, 653	BOLT - Ring gear	5, 531
BODY - Parking & turn signal lamp	2, 586	BOLT - Rocker outer panel moulding	8, 304
BODY - Parking & turn signal lamp terminal ..	2, 596	BOLT - Round head	8, 906
BODY - Rear compartment lamp switch	11, 960	BOLT - Spare wheel	7, 632
BODY - Shell	10, 002	BOLT - Starter motor attaching	2, 041
BODY - Timing chain tensioner	0, 726	BOLT - Starter motor through	2, 077
BODY - Transmission governor support	4, 256	BOLT - Steering gear to cross member	6, 509
BODY - Transmission governor valve	4, 256	BOLT - Transmission converter	4, 156
BODY - Transmission oil control valve	4, 265	BOLT - Transmission cover	4, 105
BODY - Transmission valve	4, 265	BOLT - Trans. extension housing	4, 317
BODY - Water pump	1, 073	BOLT - Truss head	8, 913
BODY - Wheel brake cylinder	4, 665	BOLT - Upper control arm	6, 164
BODY & GEAR PACKAGE - Trans. oil pump ..	4, 226	BOLT - Valve push rod cover	0, 449
BOLT - Aux. driving lamp	9, 648	BOLT - Wheel hub	5, 812
BOLT - Back-up lamp switch	2, 697	BOLT - Wiper motor through	10, 150
BOLT - Battery mounting	2, 333	BOOSTER - Brake vacuum servo	4, 902
BOLT - Brake backing plate	5, 002	BOOT - Brake booster plunger	4, 907
BOLT - Brake disc to hub	6, 307	BOOT - Brake main cylinder push rod	4, 659
BOLT - Brake drum to axle shaft	5, 420	BOOT - Front suspension ball joint	6, 168
BOLT - Brake drum to hub	6, 307	BOOT - Gearshift lever	4, 015
BOLT - Bumper bar attaching	7, 836	BOOT - Hand brake cable	4, 828
BOLT - Bumper bar face	7, 852	BOOT - Spark plug	2, 258
BOLT - Caliper to knuckle	5, 010	BOOT - Starter motor pinion	0, 686
BOLT - Camshaft housing	0, 386	BOOT - Steering tie rod	6, 255
BOLT - Camshaft thrust plate	0, 533	BOOT - Steering tie rod ball	6, 233
BOLT - Clutch to flywheel	0, 870	BOOT - Wheel brake cylinder	4, 670
BOLT - Connecting rod	0, 623	BOW - Roof	12, 952
BOLT - Cover to convertor housing	0, 679	BOWL - Fuel pump	3, 903
BOLT - Crankcase front cover	0, 206	BOX - Generator brush	2, 291
BOLT - Crankshaft bearing cap	0, 056	BRACE - Clutch lever	0, 852
BOLT - Crankshaft damper retainer	0, 659	BRACE - Generator	2, 317
BOLT - Crankshaft pulley	0, 662	BRACE - Instrument panel to dash	6, 761
BOLT - Cylinder head	0, 293	BRACE - Package tray to wheelhouse	12, 971
BOLT - Differential bearing cap	5, 506	BRACE - Rear shock absorber	12, 984
BOLT - Differential carrier to housing	5, 387	BRACE - Transmission	4, 081

HOLDEN "LJ" PARTS CATALOGUE

BRACE - Transmission support	4.081	BRACKET & SCREW - Ignition coil	2.170
BRACE - Wheelhouse to rear comp. hinge bracket	12.971	BRACKET & SHAFT - Clutch pedal	0.833
BRACE - Inlet manifold	3.273	BRAKE - Power	4.902
BRACKET - Accelerator relay shaft support ..	3.430	BREATHER - Crankcase ventilator	1.762
BRACKET - Accelerator return spring	3.459	BREATHER - Rear axle	5.387
BRACKET - Automatic choke heat pipe support	3.720	BREATHER - Transmission	4.104
BRACKET - Aux. driving lamp	9.648	BRIDGE - Accelerator pedal	3.451
BRACKET - Brake booster mounting	4.901	BRIDGE - Air cleaner	3.403
BRACKET - Brake hose	4.681	BRUSH - Distributor cap	2.370
BRACKET - Brake pedal	4.627	BRUSH PLATE - Generator	2.291
BRACKET - Bumper bar	7.836	BRUSH SET - Generator	2.285
BRACKET - Carburettor choke cable	3.795	BRUSH SET - Starter motor	2.051
BRACKET - Clutch fork return spring	0.846	BUFFER - Starter motor pinion	2.087
BRACKET - Clutch lever brace	0.852	BULB	8.991
BRACKET - Clutch relay to frame	0.852	BULB - Dome lamp	11.925
BRACKET - Crankcase cover	0.206	BULB - Parking & turn signal lamp	2.585
BRACKET - Dash pot	3.733	BULB - Rear compartment lamp	11.960
BRACKET - Deck lid hinge	12.184	BULB - Rear license lamp	2.714
BRACKET - Engine mounting	0.027	BULB - Tail, stop & turn signal lamp	2.679
BRACKET - Front door check link pivot	10.608	BULB - Turn signal indicator	2.893
BRACKET - Front door glass	10.716	BUMPER - Brake pedal	4.625
BRACKET - Front seat adjuster wire support ..	11.589	BUMPER - Clutch pedal	0.830
BRACKET - Front seat lock shaft mounting ..	11.377	BUMPER - Control arm	6.176
BRACKET - Front shock absorber	7.370	BUMPER - Deck lid	12.212
BRACKET - Fuse panel mounting	2.481	BUMPER - Front door glass	10.716
BRACKET - Gearshift control	4.019	BUMPER - Front license plate	7.796
BRACKET - Gearshift 2nd & 3rd shift cross shaft	4.019	BUMPER - Hood	8.024
BRACKET - Generator mounting	2.277	BUMPER - Inst. panel compartment lid	10.263
BRACKET - Hand brake cable anchor	4.829	BUMPER - Rear axle	7.535
BRACKET - Hand brake intermediate lever mounting	4.797	BUMPER - Rear door glass	10.743
BRACKET - Hand brake intermediate spring anchor	4.792	BUMPER - Rear license plate mounting	2.670
BRACKET - Hand brake warning lamp switch mounting	4.610	BUMPER - Sill panel sealing	12.934
BRACKET - Hood lock	8.075	BUSHING - Accelerator pull rod	3.430
BRACKET - Hood lock support rail	1.270	BUSHING - Brake adjuster	5.103
BRACKET - Muffler	3.704	BUSHING - Brake booster relay shaft	4.628
BRACKET - Power plant lifting	0.027	BUSHING - Brake pedal	4.626
BRACKET - Power plant mounting	6.008	BUSHING - Carb. damper	3.803
BRACKET - Quarter window	10.998	BUSHING - Carb. orifice jet	3.805
BRACKET - Radiator grille	1.266	BUSHING - Clutch housing	0.683
BRACKET - Radiator grille name plate	1.265	BUSHING - Converter housing	0.683
BRACKET - Radiator mounting	1.270	BUSHING - Distributor housing	2.362
BRACKET - Radiator side support	1.270	BUSHING - Front propeller shaft housing	4.317
BRACKET - Rear axle suspension	5.382	BUSHING - Front shock absorber	7.370
BRACKET - Rear compartment lamp switch ..	11.960	BUSHING - Front suspension brace	6.008
BRACKET - Rear door bumper	10.743	BUSHING - Gearshift control shaft	4.019
BRACKET - Rear door check link	10.608	BUSHING - Gearshift lever carrier shaft	4.019
BRACKET - Rear spring mounting	12.982	BUSHING - Inst. panel compartment lid	10.264
BRACKET - Spare wheel	7.629	BUSHING - Lighting switch	2.487
BRACKET - Spark plug cable	0.386	BUSHING - Low sun gear	4.177
BRACKET - Steering column support	6.760	BUSHING - Lower control arm	6.170
BRACKET - Steering gear	6.008	BUSHING - Rear axle suspension	5.382
BRACKET - Switch earth & panel support ...	9.743	BUSHING - Rear shock absorber	7.370
BRACKET - Throttle linkage	3.430	BUSHING - Rear spring	7.524
BRACKET - Transmission mounting	4.081	BUSHING - Reverse idler gear	4.433
BRACKET - Transmission parking brake	4.290	BUSHING - Starter motor comm. end.	2.083
BRACKET - Trans. T. V. cable anchor	4.040	BUSHING - Starter motor drive end	2.083
BRACKET - Wiper frame support	10.150	BUSHING - Starter motor pinion	2.087
BRACKET & BUSH - Clutch relay	0.852	BUSHING - Starter motor term. insulating ..	2.077
		BUSHING - Throttle linkage trunnion	3.430
		BUSHING - Transmission case	4.103
		BUSHING - Transmission clutch	4.158
		BUSHING - Transmission clutch drum	4.158
		BUSHING - Trans. control lever to support ..	4.019
		BUSHING - Trans. extension housing	4.317

HOLDEN "LJ" PARTS CATALOGUE

BUSHING - Trans. governor support body ...	4, 256
BUSHING - Trans. oil pump body	4, 226
BUSHING - Trans. planet output shaft	4, 177
BUSHING - Trans. rear bearing housing ...	4, 317
BUSHING - Transmission rear housing	4, 317
BUSHING - Trans. reverse striking lever ...	4, 307
BUSHING - Upper control arm	6, 164
BUTTON & EMBLEM - Horn actuating	2, 820

C

CABLE - Air control	9, 779
CABLE - Battery ground	2, 341
CABLE - Clutch control	0, 787
CABLE - Engine ground	2, 348
CABLE - Gearshift reverse baulk release ...	4, 006
CABLE - Hand brake	4, 826
CABLE - Heat control	9, 779
CABLE - Hood lock	8, 075
CABLE - Starter	2, 342
CABLE - Transmission T V. detent	4, 040
CABLE & CASING - Speedometer	4, 342
CABLE KIT - Speedometer	4, 342
CALIPER - Brake	5, 010
CAM - Carburettor choke	3, 791
CAM - Carburettor fast idle	3, 735
CAM - Distributor	2, 381
CAM - Transmission detent	4, 311
CAM - Trans. 1st and 2nd speed	4, 308
CAMSHAFT	0, 519
CAP - Brake main cylinder filler	4, 650
CAP - Carburettor ventilation	3, 725
CAP - Crankshaft centre bearing	0, 100
CAP - Crankshaft front bearing	0, 095
CAP - Crankshaft front intermediate	0, 098
CAP - Crankshaft rear bearing	0, 105
CAP - Crankshaft rear intermediate bearing ..	0, 102
CAP - Dash pot stem	3, 733
CAP - Distributor	2, 367
CAP - Door lock case	10, 550
CAP - Door pull-to strap	10, 511
CAP - Engine mounting restrictor	0, 027
CAP - Front door trim clip	14, 685
CAP - Fuel tank filler	3, 028
CAP - Fuel tank filler locking	3, 028
CAP - Gearshift lever	4, 015
CAP - Oil filler	1, 516
CAP - Radiator pressure	1, 203
CAP - Starter motor armature bearing	2, 063
CAP - Timing chain tensioner	0, 726
CAP - Transmission brake anchor screw ...	4, 251
CAP - Valve spring	0, 309
CAP - Wheel hub	5, 858
CARBURETTOR ASSEMBLY	3, 725
CARPET - Front floor	15, 286
CARRIER - Parking & turn signal lamp lead ..	2, 596
CARRIER - Transmission planet	4, 177
CARRIER & CAP - Differential	5, 505
CASE - Door lock	10, 550
CASE - Differential	5, 510
CASE - Transmission	4, 103
CASING - Speedometer cable	4, 342
CATCH - Hood safety	8, 036
CHAIN - Camshaft timing	0, 727

CHAMBER - Air cleaner	3, 407
CHAMBER - Carb. float	3, 800
CHANNEL - Door glass run	10, 701
CHANNEL - Front door glass division	10, 686
CHANNEL - Front door glass run	10, 686
CHANNEL - Front door glass support	10, 685
CHANNEL - Front door ventilator weatherstrip ..	10, 655
CHANNEL - Rear door division	10, 829
CHANNEL - Rear door glass run	10, 759
CHANNEL - Rear door glass support	10, 747
CHANNEL - Rear window glass	11, 207
CHANNEL - Windshield glass	10, 092
CIRCLIP - Ball joint	6, 168
CIRCLIP - Brake main cylinder lock	4, 656
CIRCLIP - Carburettor check ball	3, 760
CIRCLIP - Carburettor choke shaft	3, 791
CIRCLIP - Carb. fast idle cam swivel	3, 793
CIRCLIP - Carb. pump control rod	3, 783
CIRCLIP - Distributor cam retainer	2, 381
CIRCLIP - Fuel pump rocker arm pin	3, 921
CIRCLIP - Gearshift control lever	4, 006
CIRCLIP - Gearshift control lever	4, 019
CIRCLIP - Speedometer driving gear	4, 334
CIRCLIP - Steering shaft upper	6, 524
CIRCLIP - Steering tie rod ball boot	6, 233
CIRCLIP - Trans. control lever pin	4, 019
CIRCLIP - Transmission selector shaft	4, 301
CLAMP - Adaptor to carburettor	3, 403
CLAMP - Air cleaner	3, 403
CLAMP - Ball joint seal	6, 168
CLAMP - Brake vacuum servo hose	4, 931
CLAMP - Camshaft cover hose	1, 762
CLAMP - Distributor	2, 414
CLAMP - Engine breather hose	1, 762
CLAMP - Exhaust pipe	3, 616
CLAMP - Gearshift 1st & reverse shift rod ...	4, 020
CLAMP - Gearshift 2nd & 3rd shift rod	4, 019
CLAMP - Hose	8, 948
CLAMP - Muffler support	3, 704
CLAMP - Manifold	3, 273
CLAMP - Oil pump suction pipe	1, 742
CLAMP - Radiator hose	1, 166
CLAMP - Spare wheel	7, 629
CLAMP - Transmission shifter rod	4, 035
CLAMP - Wiper motor cable	10, 150
CLIP - Accelerator pull rod	3, 430
CLIP - Air cleaner cover	3, 410
CLIP - Ash tray retaining	12, 030
CLIP - Body wiring	13, 092
CLIP - Brake pad retaining pin	5, 020
CLIP - Brake pipe	4, 685
CLIP - Brake vacuum servo hose	4, 931
CLIP - Cable ventilator control	9, 787
CLIP - Camshaft cover hose	1, 762
CLIP - Carb. choke cable	3, 795
CLIP - Carb. fast idle rod	3, 793
CLIP - Carb. pump link spring	3, 783
CLIP - Carb. pump strainer screen	3, 787
CLIP - Carb. valve lifting pin spring	3, 808
CLIP - Clutch cable	0, 787
CLIP - Clutch lever brace to bracket	0, 852
CLIP - Clutch over-centre spring shaft	0, 847
CLIP - Clutch rod to relay lever	0, 852
CLIP - Distributor vacuum control rod	2, 410

HOLDEN "LJ" PARTS CATALOGUE

CLIP - Door belt sealing strip	10.712	CONNECTOR - Fuel hose to fuel pump	3.163
CLIP - Door inside locking rod	10.563	CONNECTOR - Ignition coil	2.170
CLIP - Door locking pawl	10.550	CONNECTOR - Pipe	8.963
CLIP - Door lock remote control rod	10.506	CONNECTOR - Spark control pipe	2.424
CLIP - Door lock spring	10.550	CONNECTOR - Water pump body	1.073
CLIP - Door outside handle	10.529	CONTACT SET - Distributor	2.384
CLIP - Front door belt moulding	12.112	CONTROL - Choke	3.521
CLIP - Front seat back spring	11.374	CONTROL - Door lock remote	10.500
CLIP - Front seat cushion spring	11.420	CONTROL - Vent and heater	9.779
CLIP - Fuel pipe	3.202	CONTROL - Ventilator	9.787
CLIP - Fuel pump rocker arm pin	3.921	CONVERTER - Transmission	4.156
CLIP - Gearshift control lever	4.019	COOLER - Transmission oil	1.219
CLIP - Hand brake cable	4.826	CORE - Radiator	1.219
CLIP - Hand brake lever retainer	5.158	CORRECTOR - Inlet manifold	3.265
CLIP - Heater control cable	9.779	COUPLING - Flexible	6.524
CLIP - Inlet manifold water hose	3.260	COUPLING - Gearshift lever	4.018
CLIP - Main wiring harness	2.555	COUPLING - Trans. selector	4.301
CLIP - Oil indicator tube	1.516	COVER - Air cleaner	3.410
CLIP - Pipe or cable	8.950	COVER - Brake adjusting hole	5.188
CLIP - Rear door belt moulding	12.114	COVER - Brake booster dust	4.908
CLIP - Rear door inside locking	10.556	COVER - Brake main cylinder	4.651
CLIP - Rear quarter moulding	12.116	COVER - Camshaft	0.386
CLIP - Rear quarter trim	15.100	COVER - Carb. economy device	3.806
CLIP - Rear seat back spring	11.629	COVER - Carburettor float chamber	3.763
CLIP - Rear seat cushion spring	11.611	COVER - Carburettor suction chamber	3.804
CLIP - Rocker outer panel moulding	8.304	COVER - Carburettor thermostat	3.796
CLIP - Spark control pipe to fuel pipe	2.424	COVER - Carburettor thermostat heat mass ..	3.796
CLIP - Speedometer cable	4.342	COVER - Clutch & transmission case	0.679
CLIP - Speedometer cable casing	4.342	COVER - Clutch fork slot	0.686
CLIP - Speedometer drive gear	4.338	COVER - Converter housing	0.679
CLIP - Steering tie rod boot	6.255	COVER - Crankcase front end	0.206
CLIP - Throttle linkage	3.430	COVER - Dash panel opening	12.803
CLIP - Transmission control housing moulding	15.290	COVER - Front seat back	14.800
CLIP - Transmission modulator pipe	4.205	COVER - Front seat cushion	14.880
CLIP - Trans. oil cooler pipe	4.128	COVER - Front wheel bearing	5.858
CLIP - Turn signal flasher	2.892	COVER - Fuel pump	3.910
CLIP - Wheel brake cylinder spring	4.670	COVER - Fuel pump filter	3.903
CLIP - Windshield washer	8.798	COVER - Gearshift control	4.015
CLIP - Wiper link retainer	10.160	COVER - Gearshift lever boot	4.015
CLIP & TERMINAL - Fuse holder	2.481	COVER - Gearshift lever bracket	4.015
CLEVIS - Brake main cylinder rod	4.662	COVER - Gearshift lever housing	4.022
CLEVIS - Clutch cable	0.787	COVER - Generator slip ring end plate housing	2.297
CLEVIS - Handbrake cable	4.826	COVER - Head restraint	14.924
CLEVIS - Handbrake equaliser	4.765	COVER - Hood lock	8.075
CLUTCH - Transmission	4.158	COVER - Oil pump	1.723
COCK - Cylinder block drain	0.033	COVER - Rear axle housing	5.398
COIL - Ignition	2.170	COVER - Rear seat back	15.000
COIL SET - Starter motor field	2.049	COVER - Rear seat cushion	15.035
COLLAR - Gearshift control lever	4.006	COVER - Roof vinyl	12.810
COLLAR - Starter motor drive end	2.096	COVER - Starter motor commutator end	2.070
COLLAR - Starter motor pinion bearing	2.087	COVER - Starter motor solenoid switch	2.102
COLLAR - Transmission selector shaft	4.095	COVER - Steering column jacket	6.518
COLLAR - Valve stem	0.310	COVER - Steering column lower	6.518
COLUMN - Steering	6.508	COVER - Steering column to dash	6.758
COMPARTMENT - Instrument panel	10.260	COVER - Steering column gearshift upper	6.518
CONDENSER - Distributor	2.393	COVER - Steering gear housing end	6.807
CONE - Differential side bearing	5.536	COVER - Transmission	4.105
CONE - Pinion front bearing	5.447	COVER - Transmission oil pump	4.226
CONE - Pinion rear bearing	5.484	COVER - Transmission selector fork	4.313
CONE - Synchronizing	4.383	COVER - Transmission selector shaft	4.313
CONNECTOR - Brake pipe	4.686	COVER - Transmission servo	4.212
CONNECTOR - Brake pressure warning	4.686	COVER - Valve push rod	0.439
CONNECTOR - Brake vacuum hose	4.931	COVER - Valve rocker	0.386
CONNECTOR - Carburettor choke hose	3.720	COVER - Wheel brake cylinder dust	4.674

HOLDEN "LJ" PARTS CATALOGUE

COVER - Wiper motor gear and cross shaft ..	10.150
COVER & LEVER - Carburettor pump	3.782
COVER & PRESSURE PLATE - Clutch	0.861
CRANKSHAFT ASSEMBLY	0.646
CROSSMEMBER - Underbody rear seat	12.982
CUP - Differential side bearing	5.536
CUP - Pinion front bearing	5.447
CUP - Pinion rear bearing	5.484
CUP - Wheel brake cylinder	4.667
CUSHION - Rear seat	15.033
CYLINDER - Brake main	4.650
CYLINDER - Ignition switch.....	2.188
CYLINDER - Wheel brake	4.665

D

DAMPER - Carburettor	3.803
DAMPER - Crankshafe	0.659
DAMPER - Generator rectifier	2.289
DASH POT - Carburettor	3.733
DEADENER - Floor sound	15.492
DEFLECTOR - Front door ventilator water...	10.670
DEFLECTOR - Mud	9.620
DEFLECTOR - Dash panel water	12.803
DEVICE ASSEMBLY - Carburettor economy..	3.806
DIAPHRAGM - Brake main cylinder cover ..	4.651
DIAPHRAGM - Carburettor air valve	3.807
DIAPHRAGM - Carburettor choke kick	3.779
DIAPHRAGM - Carburettor economy device..	3.806
DIAPHRAGM - Carburettor pump	3.778
DIAPHRAGM - Fuel pump	3.925
DIFFERENTIAL & CARRIER ASSEMBLY	5.504
DIODE - Generator	2.287
DISC - Front brake	5.809
DISTANCE PIECE - Starter motor to converter housing	0.683
DISTRIBUTOR ASSEMBLY	2.361
DOOR ASSEMBLY - Front	10.351
DOOR ASSEMBLY - Rear	10.373
DOWEL - Camshaft gear	0.730
DOWEL - Clutch housing	0.683
DOWEL - Cylinder block oil feed hole	0.034
DOWEL - Cylinder head	0.269
DOWEL - Flywheel to crankshaft	0.669
DOWEL - Transmission cover	4.105
DRIVE - Starter motor	2.086
DRUM - Brake	5.809
DRUM - Transmission clutch	4.158
DRUM & INPUT SHAFT - Trans. clutch	4.153
DUCT - Heater air inlet	9.779
DUCT - Heater demist	9.779
DUCT - Heater distribution.....	9.770

E

ELBOW - Brake vacuum hose.....	4.931
ELBOW - Pipe	8.963
ELEMENT - Air cleaner	3.410
ELEMENT - Camshaft breather	0.386
ELEMENT - Oil filter	1.835
EMBLEM - Radiator grille	1.265
END - Ventilator control wire	9.787
EQUALISER - Hand brake cable	4.764
ESCUTCHEON - Aux. driving lamp.....	9.648

ESCUTCHEON - Heater & ventilator	9.787
ESCUTCHEON - Rear window glass	11.208
ESCUTCHEON - Windshield channel	10.093
EXCLUDER - Wheel brake cylinder bleeder valve dust.....	4.666
EXTENSION - Front fender	8.130
EXTENSION - Radiator panel	1.270
EXTENSION - Underbody crossmember	12.982

F

FACING - Clutch disc	0.885
FAN - Generator	2.274
FASTENER - Door weatherstrip	10.695
FASTENER - Front fender seal drive	8.154
FASTENER - Hood landing.....	9.127
FASTENER - Quarter window	10.998
FASTENER - Rear seat package tray trim ...	15.024
FELT - Distributor housing.....	2.362
FENDER - Front	8.130
FIELD & HOUSING - Wiper motor	10.150
FILLER - Door window channel	10.696
FILLER - Front wheelhouse.....	8.153
FILLER - Rear quarter window frame	11.007
FILTER - Carburettor pilot jet.....	3.752
FILTER - Oil	1.835
FINGER - Gearshift control lever	4.006
FITTING - Ball joint lubrication	6.168
FITTING - Lubrication.....	8.984
FITTING - Tube and pipe	8.963
FLANGE - Differential pinion	5.545
FLANGE - Exhaust pipe packing	3.610
FLANGE - Universal joint	5.555
FLANGE - Water pump and fan pulley.....	1.063
FLAP - Ventilator control	9.786
FLASHER - Turn signal	2.892
FLOAT - Carburettor	3.773
FLUID - Windshield washer	8.800
FLUID - Brake	8.800
FLYWHEEL & RING GEAR	0.666
FORK - Clutch.....	0.795
FORK - Transmission selector	4.300
FORK - Transmission shifter	4.303
FORK - Trans. shifter shaft 1st & reverse ...	4.304
FORK - Trans. shifter shaft 2nd & 3rd	4.303
FRAME - Rear quarter window.....	11.006
FRAME - Rear window	11.200
FRAME - Starter motor commutator end	2.067
FRAME - Wiper mounting	10.150
FRONT SUSPENSION ASSEMBLY	6.007
FULCRUM - Trans. selector lever	4.020
FUSE	2.481
FUSE	8.965

G

GAITER - Handbrake lever	4.608
GASKET - Air chamber to carburettor	3.407
GASKET - Air cleaner to carburettor	3.403
GASKET - Axle housing to diff.....	5.508
GASKET - Back-up lamp switch.....	2.697
GASKET - Brake main cylinder filler cap...	4.651
GASKET - Brake pedal support to dash panel	4.627
GASKET - Camshaft housing cover	0.423

HOLDEN "LJ" PARTS CATALOGUE

GASKET - Carburettor air horn	3.765	GASKET - Trans. rear bearing housing	4.318
GASKET - Carburettor flange	3.726	GASKET - Transmission rear housing	4.317
GASKET - Carburettor float chamber	3.749	GASKET - Transmission servo cover	4.212
GASKET - Carburettor float chamber cover ..	3.765	GASKET - Trans. to clutch housing	4.004
GASKET - Carb. float needle valve seat....	3.772	GASKET - Transmission transfer plate	4.265
GASKET - Carb. economy device body	3.806	GASKET - Trans. upper valve body plate...	4.265
GASKET - Carb. main body	3.749	GASKET - Trans. vacuum modulator.....	4.265
GASKET - Carb. metering jet plug	3.756	GASKET - Trans. valve transfer plate	4.265
GASKET - Carb. pump nozzle	3.758	GASKET - Valve push rod cover.....	0.443
GASKET - Carb. power by-pass jet	3.757	GASKET - Valve rocker cover	0.423
GASKET - Carb. pump by-pass jet	3.757	GASKET - Water outlet	1.154
GASKET - Carb. pump check valve plug ...	3.784	GASKET - Water pump to engine	1.079
GASKET - Carb. thermostat cover.....	3.796	GASKET - Wheel brake cylinder	4.665
GASKET - Carburettor thermostat housing ..	3.796	GASKET - Wiper motor gear & cross shaft	
GASKET - Clutch bearing guide.....	0.805	cover.....	10.150
GASKET - Clutch gear bearing retainer	4.358	GASKET SET - Cylinder head.....	0.289
GASKET - Clutch pedal bracket & shaft	0.833	GASKET SET - Engine overhaul	0.001
GASKET - Crankcase front end cover	0.207	GASKET SET - Manifold	3.270
GASKET - Cylinder head	0.289	GASKET SET - Oil pan	1.429
GASKET - Deck lid lock cylinder	12.248	GASKET SET - Transmission.....	4.005
GASKET - Deck lid lock cylinder retainer ..	12.242	GATE - Transmission control selector	4.016
GASKET - Distributor housing	2.362	GAUGE - Fuel tank unit.....	3.107
GASKET - Door lock cylinder.....	10.550	GEAR - Camshaft	0.736
GASKET - Door outside handle	10.538	GEAR - Clutch.....	4.351
GASKET - Exhaust manifold	3.270	GEAR - Counter.....	4.421
GASKET - Fuel pump bowl	3.904	GEAR - Crankshaft	0.728
GASKET - Fuel pump flange	3.932	GEAR - Differential side	5.528
GASKET - Fuel pump valve	3.913	GEAR - First & second speed sliding.....	4.417
GASKET - Fuel tank filler pipe	3.008	GEAR - Flywheel ring	0.673
GASKET - Fuel pump filter cover	3.904	GEAR - Low sun clutch	4.158
GASKET - Gearshift lever housing cover....	4.023	GEAR - Mainshaft first speed.....	4.418
GASKET - Inlet manifold	3.270	GEAR - Mainshaft reverse	4.418
GASKET - Mirror support	10.187	GEAR - Mainshaft second speed	4.395
GASKET - Oil filler cap	1.517	GEAR - Reverse idler	4.430
GASKET - Oil filter cover.....	1.837	GEAR - Speedometer drive	4.337
GASKET - Oil pan	1.429	GEAR - Speedometer driven	4.337
GASKET - Oil pan drain plug	1.453	GEAR - Steering	6.508
GASKET - Oil pressure regulator plug	1.611	GEAR - Third speed	4.415
GASKET - Oil pump cover	1.724	GEAR - Transmission input sun	4.177
GASKET - Oil pump to block	1.654	GEAR - Transmission ring	4.187
GASKET - Parking & turn signal lamp lens..	2.590	GEAR & DRUM - Reaction sun.....	4.177
GASKET - Rear axle housing cover	5.399	GEAR & HUB - Transmission synchronizing ..	4.380
GASKET - Rear axle housing drain plug	5.400	GEAR & PINION - Differential	5.529
GASKET - Rear axle housing filler plug	5.400	GEAR PACKAGE - Distributor	2.374
GASKET - Rear axle retainer plate	5.816	GEAR SET - Differential	5.527
GASKET - Rear brake oil deflector	5.819	GEAR SET - Oil pump	1.659
GASKET - Spark plug.....	2.270	GEAR SET PACKAGE - Transmission planet .	4.177
GASKET - Speedometer driven gear housing	4.337	GENERATOR ASSEMBLY	2.275
GASKET - Starter motor solenoid switch....	2.102	GLASS - Front door rear	10.681
GASKET - Tail, stop & turn signal lamp lens	2.684	GLASS - Front door ventilator.....	10.658
GASKET - Thermostat housing	1.252	GLASS - Rear door fixed	10.827
GASKET - Timing chain tensioner body	0.726	GLASS - Rear door sliding	10.741
GASKET - Trans. control lever support	4.015	GLASS - Rear window	11.204
GASKET - Transmission cover	4.109	GLASS - Rear quarter window	11.011
GASKET - Transmission extension housing ..	4.318	GLASS - Windshield	10.027
GASKET - Transmission filler plug	4.103	GOVERNOR - Transmission	4.256
GASKET - Transmission governor.....	4.256	GREASE - Main cylinder	8.800
GASKET - Trans. governor support body....	4.256	GRILLE - Radiator	1.286
GASKET - Transmission modulator	4.265	GROMMET	8.956
GASKET - Transmission oil pan	4.196	GROMMET - Back-up lamp harness	2.697
GASKET - Transmission oil pan drain screw.	4.195	GROMMET - Body wiring	13.092
GASKET - Transmission oil pump	4.226	GROMMET - Brake booster push rod.....	4.908
GASKET - Trans. oil pump suction screen ..	4.223	GROMMET - Choke control	3.521
GASKET - Trans. oil pump to converter....	4.227	GROMMET - Fuel pipe to underbody	3.158

HOLDEN "LJ" PARTS CATALOGUE

GROMMET - Fuel tank vent pipe	3.003
GROMMET - Gearshift cover	4.015
GROMMET - Gearshift lever	4.015
GROMMET - Parking & turn signal lamp lead	2.596
GROMMET - Rear license lamp bracket	2.705
GROMMET - Speedometer cable	4.342
GROMMET - Speedometer cable casing	4.342
GROMMET - Starter motor cable outlet	2.101
GROMMET - Valve cover to block vent	1.745
GROMMET - Windshield washer	8.798
GUARD - Bumper bar	9.624
GUARD - Front seat adjuster	14.860
GUARD - Fuel pipe	3.158
GUARD - Fuel tank vent pipe	3.003
GUARD - Headlamp	9.632
GUIDE - Clutch bearing	0.804
GUIDE - Front seat head restraint	11.376
GUIDE - Speedometer driven gear	4.337
GUIDE - Trans. lock & range selector	4.279
GUSSET - Battery mounting support	2.333
GUTTER - Roof drip	12.811

H

HANDLE - Door outside	10.527
HANDLE - Door remote control	10.512
HANDLE - Door window regulator	10.797
HANDLE - Front door ventilator locking	10.664
HANDLE - Lifting jack	8.820
HANDLE & BRACKET - Handbrake	4.591
HANDLE PACKAGE - Door pull-to	9.640
HANGER - Rear suspension arm	12.982
HARNESS - Back-up lamp	2.697
HARNESS - Body wiring	13.090
HARNESS - Heater	9.779
HARNESS - Main wiring	2.555
HARNESS - Rear license lamp	2.714
HARNESS PACKAGE - Trailer wiring	9.644
HEAD - Cylinder	0.269
HEAD - Oil filter	1.837
HEADLINING ASSEMBLY	14.640
HEAD RESTRAINT	14.796
HEAD - Timing chain tensioner	0.726
HEATER & DEMISTER ASSEMBLY	9.750
HINGE - Deck lid	12.184
HINGE - Front door	10.450
HINGE - Hood	8.015
HINGE - Instrument panel compartment lid ..	10.262
HINGE - Rear door lower	10.460
HINGE - Rear door upper	10.456
HOLDER - Carburettor choke tube	3.795
HOLDER - Starter motor brush	2.052
HOOK - Coat	14.651
HOOK - Seat belt stowage	14.799
HORN ASSEMBLY	2.810
HORN - High note	2.810
HOSE - Air cleaner inlet	3.407
HOSE - Automatic choke heat	3.720
HOSE - Brake	4.680
HOSE - Brake vacuum servo	4.931
HOSE - Camshaft cover	1.762
HOSE - Carburettor choke heat	3.720
HOSE - Carburettor choke kick vacuum	3.799
HOSE - Carburettor to ventilator valve	1.762

HOSE - Engine breather	1.762
HOSE - Fuel line	3.163
HOSE - Fuel tank filler neck	3.003
HOSE - Fuel tank vent	3.003
HOSE - Heater	9.779
HOSE - Inlet manifold water	3.260
HOSE - Radiator	1.159
HOSE - Spark control	2.424
HOSE - Water pump to elbow	1.159
HOSE - Windshield washer	8.798
HOUSING - Camshaft	0.386
HOUSING - Clutch	0.683
HOUSING - Converter	0.683
HOUSING - Generator slip ring end plate ...	2.297
HOUSING, RADIATOR & FAN - Heater	9.779
HOUSING - Rear axle	5.387
HOUSING - Speedometer driven gear	4.337
HOUSING - Starter motor drive	2.085
HOUSING - Steering gear	6.803
HOUSING - Steering tie rod ball	6.235
HOUSING - Thermostat	1.251
HOUSING - Transmission control	15.290
HOUSING - Transmission extension	4.317
HOUSING - Wiper motor gear & cross shaft..	10.150
HOUSING & LEVER - Carburettor thermostat	3.796
HUB - Steering wheel	6.513
HUB - Synchronizing	4.380
HUB - Transmission clutch	4.158
HUB - Water pump & fan pulley	1.063
HUB & DISC - Front wheel	6.307
HUB & DRUM - Front wheel	6.307

I

INDICATOR - Oil level	1.516
INDICATOR - Transmission oil level	4.133
INHIBITOR - Radiator	8.800
INJECTOR - Carburettor	3.757
INSERT - Brake main cylinder tube	4.652
INSERT - Fuel tank filler cap	3.028
INSERT - Gearshift lever	4.020
INSERT - Radiator grille emblem	1.265
INSERT - Rear window glass escutcheon	11.208
INSERT - Wheel brake cylinder	4.670
INSERT - Windshield channel	10.093
INSTRUMENT - Combined	2.515
INSULATOR - Carburettor heat	3.726
INSULATOR - Clutch control cable	0.787
INSULATOR - Front crossmember	6.008
INSULATOR - Front spring	6.364
INSULATOR - Front suspension control rod ..	6.169
INSULATOR - Fuel pump heat	3.932
INSULATOR - Gearshift lever	4.015
INSULATOR - Gearshift 1st & reverse shift ..	4.020
INSULATOR - Gearshift 2nd & 3rd shift	4.019
INSULATOR - Instrument panel to dash panel	14.655
INSULATOR - Muffler	3.704
INSULATOR - Rear spring	7.545
INSULATOR - Starter motor	2.049
INSULATOR - Transmission shifter rod	4.035
INSULATOR - Wiper motor mounting	10.152

J

JACK - Lifting	8.820
JET - Carburettor compensating	3.754
JET - Carburettor economy device	3.806
JET - Carburettor main metering	3.754
JET - Carburettor orifice	3.754
JET - Carburettor pilot	3.752
JET - Carburettor power by-pass	3.757
JET - Carburettor pump	3.754
JET - Carburettor pump by-pass	3.757
JET - Carburettor slow running	3.752

K

KEY - Generator rotor	2.279
KEY - Reverse idler gear	4.433
KEY - Speedometer driving gear	4.334
KEY - Synchronizing clutch	4.384
KEY - Transmission synchronizer	4.384
KEY - Valve stem	0.310
KEY - Woodruff	8.960
KEYBLANK	8.800
KIT - Brake adjuster	5.103
KIT - Brake caliper seal	4.667
KIT - Brake main cylinder repair	4.649
KIT - Brake vacuum booster repair	4.902
KIT - Camshaft gear	0.736
KIT - Carburettor gasket	3.724
KIT - Carburettor pump repair	3.783
KIT - Carburettor repair	3.725
KIT - Control arm ball joint	6.168
KIT - Control arm ball joint seal	6.168
KIT - Cylinder block expansion plug	0.033
KIT - Fuel pump diaphragm	3.925
KIT - Fuel pump repair	3.901
KIT - Oil pump drive gear	1.643
KIT - Speedometer cable	4.342
KIT - Timing chain tensioner	0.726
KIT - Transmission gasket	4.005
KIT - Transmission oil seal ring	4.127
KIT - Transmission seal	4.005
KIT - Transmission oil seal ring	4.127
KIT - Transmission repair	4.003
KIT - Universal joint repair	5.548
KIT - Water pump overhaul	1.071
KIT - Wheel brake cylinder repair	4.665
KNOB - Aux. driving lamp switch	9.648
KNOB - Door inside locking rod	10.559
KNOB - Front seat adjuster	11.588
KNOB - Gearshift lever	4.009
KNOB - Headlamp beam adjusting	2.737
KNOB - Heater control	9.779
KNOB - Heater fan switch	9.779
KNOB - Transmission shift control lever	4.009
KNOB - Turn signal lamp switch lever	2.897
KNOB - Ventilator air control	9.787
KNOB & HANDLE - Front seat lock release	11.377
KNUCKLE - Steering	6.020

L

LAMP - Hand brake warning	4.610
LAMP - Parking & turn signal	2.585
LAMP - Rear compartment	11.960
LAMP - Tail, stop & turn signal	2.679
LAMP - Trans. control indicator panel	4.038
LEAD - Aux. driving lamp	9.648
LEAD - Cigarette	9.709
LEAD - Courtesy light	11.950
LEAD - Distributor	2.400
LEAD - Horn	2.810
LEAD ASSY. - Parking & turn signal lamp ..	2.596
LEAD ASSY. - Trans. neutral starting safety switch	4.055
LEAD - Wiper motor	10.150
LENS - Dome lamp	11.928
LENS - Parking & turn signal lamp	2.589
LENS - Tail, stop & turn signal lamp	2.682
LENS - Turn signal & back-up lamp	2.698
LEVER - Accelerator relay extension	3.430
LEVER - Brake adjuster	5.103
LEVER - Brake booster relay	4.628
LEVER - Carburettor actuating torsion	3.732
LEVER - Carburettor choke	3.791
LEVER - Carburettor fast idle	3.792
LEVER - Carburettor floating	3.792
LEVER - Carburettor pump	3.780
LEVER - Carburettor pump internal	3.782
LEVER - Carburettor thermostat	3.797
LEVER - Carburettor throttle	3.731
LEVER - Carburettor throttle stop	3.792
LEVER - Fast idle cam & choke	3.735
LEVER - Gearshift control	4.006
LEVER - Gearshift 1st & reverse shift	4.020
LEVER - Gearshift 2nd & 3rd shift	4.019
LEVER - Gearshift intermediate	4.019
LEVER - Gearshift selector	4.020
LEVER - Hand brake	4.591
LEVER - Hand brake actuating	5.149
LEVER - Hand brake intermediate	4.792
LEVER - Hood lock	8.079
LEVER - Hood lock release	8.075
LEVER - Rear door inside locking	10.556
LEVER - Starter motor shift	2.108
LEVER - Throttle linkage	3.430
LEVER - Transmission control	4.019
LEVER - Transmission control	4.030
LEVER - Transmission external control	4.041
LEVER - Trans. first & second shifter	4.314
LEVER - Trans. parking lock & range selector	4.279
LEVER - Transmission reverse shifter	4.316
LEVER - Transmission reverse speed	4.306
LEVER - Transmission selector external	4.020
LEVER - Transmission selector external	4.050
LEVER - Transmission shift external	4.046
LEVER - Transmission shifter shaft	4.045
LEVER - Transmission third & fourth shifter ..	4.315
LEVER - Transmission T.V. cable pull	4.040
LEVER - Transmission throttle valve inner ..	4.278
LEVER - Transmission throttle valve outer ..	4.286
LEVER - Turn signal lamp switch	2.897

HOLDEN "LJ" PARTS CATALOGUE

LEVER & BOOT - Gearshift control	4. 006
LEVER & ROD SUPPORT - Clutch	0. 852
LEVER & STOP - Throttle	3. 731
LEVER & SUPPORT - Transmission control ..	4. 006
LID - Deck	12. 181
LID - Instrument panel compartment	10. 261
LIFTER - Valve	0. 459
LIGHTER - Cigarette	9. 709
LINER SET - Cylinder block	0. 034
LINING SET - Brake	5. 018
LINK - Brake adjuster	5. 105
LINK - Carburettor pump	3. 783
LINK - Door check	10. 606
LINK - Fuel pump	3. 931
LINK - Generator terminal shroud	2. 313
LINK - Harness fusible	2. 555
LINK - Transmission manual valve lever ...	4. 265
LINK - Wheel brake cylinder connecting ...	4. 675
LINK - Windshield wiper	10. 159
LOCK - Deck lid	12. 242
LOCK - Diff. side bearing adjusting nut ...	5. 539
LOCK - Front door	10. 470
LOCK - Front seat arm safety	11. 377
LOCK - Gearshift	9. 652
LOCK - Hood	8. 079
LOCK - Instrument panel compartment lid ..	10. 266
LOCK - Rear door	10. 473
LOCK SERVICE PACKAGE - Deck lid	12. 248
LOCK SERVICE PACKAGE - Front door	10. 550

M

MAGNET - Transmission chip collector	4. 103
MANIFOLD - Exhaust	3. 601
MANIFOLD - Inlet	3. 265
MANUAL - Owner	8. 823
MANUAL - Workshop	8. 823
MASK - Transmission control indicator bulb	4. 038
MASS - Carburettor choke heat	3. 796
MAT - Front floor	15. 286
MAT - Luggage compartment floor	15. 294
MAT - Rear floor	15. 306
MEMBER - Front suspension cross	6. 008
MEMBER - Underbody longitudinal	12. 982
MIRROR - Fender mounting	10. 185
MIRROR - Rear vision	10. 185
MIRROR - Instrument panel compartment vanity	10. 222
MODULATOR - Transmission vacuum	4. 265
MOTOR - Starter	2. 041
MOTOR - Windshield wiper	10. 150
MOULDING - Front door belt	12. 112
MOULDING - Generator brush box	2. 291
MOULDING - Rear door belt	12. 114
MOULDING - Rear quarter	12. 116
MOULDING - Rocker outer panel	8. 304
MOULDING - Roof drip	12. 075
MOULDING - Transmission control housing..	15. 290
MOUNTING - Engine	0. 027
MOUNTING - Front suspension	6. 008
MOUNTING - Gearshift control lever	4. 015
MOUNTING - Rear shock absorber	12. 984
MOUNTING - Transmission support	4. 081
MUFFLER	3. 701

N

NAME PLATE - Deck lid	12. 182
NAME PLATE - Front door trim	14. 691
NAME PLATE - Front fender	8. 132
NAME PLATE - Radiator grille	1. 265
NAME PLATE - Rear quarter	12. 116
NEEDLE - Carburettor metering	3. 814
NIPPLE - Distributor cap insulating	2. 258
NIPPLE - Gearshift control lever	4. 006
NIPPLE - Heater hose	9. 779
NIPPLE - Ignition coil insulating	2. 258
NOZZLE - Carburettor pump	3. 758
NOZZLE - Timing gear oil	0. 748
NOZZLE - Windshield washer	8. 798
NUT - Air cleaner wing	3. 410
NUT - Aux. driving lamp switch	9. 648
NUT - Back-up lamp switch	2. 697
NUT - Battery mounting bolt wing	2. 333
NUT - Brake adjusting	5. 111
NUT - Carburettor choke lever	3. 792
NUT - Carburettor choke shaft	3. 791
NUT - Carb. choke tube clamp screw	3. 795
NUT - Carburettor fast idle	3. 737
NUT - Carburettor fast idle lever	3. 792
NUT - Carburettor idle vent valve stem ...	3. 764
NUT - Carburettor pump lever	3. 781
NUT - Carburettor pump lever	3. 782
NUT - Carburettor thermostat lever	3. 797
NUT - Carburettor throttle shaft	3. 731
NUT - Choke control	3. 521
NUT - Clutch gear bearing retainer	4. 357
NUT - Clutch lever push rod adjusting	0. 839
NUT - Connecting rod bolt	0. 626
NUT - Dashpot securing	3. 733
NUT - Deck lid name plate	12. 182
NUT - Differential pinion flange	5. 545
NUT - Differential side bearing adjusting ...	5. 537
NUT - Door lock remote control	10. 500
NUT - Door outside handle rod	10. 529
NUT - Exhaust pipe to manifold	3. 275
NUT - Front crossmember mounting	6. 008
NUT - Front door glass division channel ...	10. 686
NUT - Front fender name plate	8. 132
NUT - Front hub to knuckle	6. 020
NUT - Front shock absorber bolt	7. 370
NUT - Fuel pipe to carburettor	3. 202
NUT - Fuel pipe to pump	3. 202
NUT - Gearshift control lever knob	4. 009
NUT - Gearshift control shaft	4. 019
NUT - Gearshift 2nd & 3rd shift	4. 019
NUT - Generator rotor	2. 280
NUT - Generator terminal shroud	2. 313
NUT - Hand brake cable adjuster	4. 826
NUT - Headlamp adjusting	2. 729
NUT - Headlamp rim screw	2. 728
NUT - Heater duct	9. 779
NUT - Hexagon	8. 915
NUT - Hexagon jam	8. 916
NUT - Hexagon self locking	8. 918
NUT - Hexagon slotted	8. 917
NUT - Hood lock	8. 079

HOLDEN "LJ" PARTS CATALOGUE

NUT - Hood lock cover	8,075
NUT - Ignition switch mounting	2,198
NUT - Inlet manifold adaptor	3,260
NUT - Instrument panel compartment	10,260
NUT - Pinion front bearing lock	5,448
NUT - Pipe	8,963
NUT - Pump & wiper switch	10,151
NUT - Radiator grille to header panel	1,266
NUT - Rear axle suspension	5,382
NUT - Rear door division channel	10,829
NUT - Rear quarter name plate	12,116
NUT - Rear shock absorber	7,370
NUT - Rocker outer panel moulding	8,304
NUT - Solenoid switch	2,100
NUT - Spare wheel	7,633
NUT - Square	8,923
NUT - Stamped	8,921
NUT - Starter motor commutator end cover	2,070
NUT - Starter motor shift lever pivot pin	2,108
NUT - Starter motor shift pivot screw	2,108
NUT - Starter solenoid switch terminal	2,100
NUT - Steering gear ball socket lock	6,234
NUT - Steering tie rod ball lock	6,235
NUT - Steering tie-rod socket	6,233
NUT - Stop light switch	2,447
NUT - Tail, stop & turn signal lamp	2,679
NUT - Transmission brake band	4,251
NUT - Transmission indicator housing	4,038
NUT - Transmission shift external lever	4,046
NUT - Transmission shifter shaft	4,045
NUT - Transmission T.V. spring adjusting	4,265
NUT - Valve rocker arm	0,429
NUT - Ventilator escutcheon	9,787
NUT - Wheel hub bolt	5,813
NUT - Windshield wiper motor	10,150
NUT - Wing	8,920
NUT - Wiper motor cross shaft crank	10,150

O

'O' RING - Brake vacuum booster	4,904
'O' RING - Carburettor orifice jet	3,805
'O' RING - Carburettor orifice jet adjuster ..	3,802
'O' RING - Carburettor orifice jet retainer ..	3,802
'O' RING - Choke control	3,521
'O' RING - Cylinder block oil feed dowel ..	0,033
'O' RING - Oil pump to block	1,654
'O' RING - Rear axle bearing oil	5,822
'O' RING - Speedometer driven gear	4,338
'O' RING - Trans. oil filler tube to case	4,133
OIL - Radiator	8,800
OUTLET - Water pump	1,153

P

PACKING - Exhaust pipe	3,611
PACKING - Rear door hinge lower	10,460
PACKING - Rear door hinge upper	10,456
PAD - Accelerator pedal	3,451
PAD - Brake pedal	4,625
PAD - Cable to clutch fork	0,787
PAD - Clutch pedal	0,830
PAD - Front seat back	14,802
PAD - Front seat cushion	14,890

PAD - Gearshift carrier shaft	4,019
PAD - Head restraint	14,925
PAD - Instrument panel	14,655
PAD - Rear axle filter	5,387
PAD - Rear seat back	15,002
PAD - Rear seat cushion	15,036
PAD - Speedometer driven gear	4,334
PAD - Timing chain tensioner	0,726
PAD - Transmission reverse speed lever	4,306
PAD - Wiper motor thrust	10,150
PAD SET - Brake	5,018
PAN - Floor	12,972
PAN - Oil	1,426
PAN - Transmission oil	4,195
PANEL - Centre pillar	12,491
PANEL - Cowl side trim	14,630
PANEL - Dash	12,804
PANEL - Dash ventilator	12,805
PANEL - Door lock striker	12,491
PANEL - Front door	12,895
PANEL - Front end valance	1,263
PANEL - Front fender	8,130
PANEL - Front seat head restraint	11,376
PANEL - Front wheelhouse	8,153
PANEL - Fuse	2,481
PANEL - Hood	8,000
PANEL - Hood hinge mounting	8,015
PANEL - Instrument	10,230
PANEL - Instrument facia	9,743
PANEL - Luggage compartment front trim ..	15,224
PANEL - Package tray	15,024
PANEL - Quarter inner	12,941
PANEL - Quarter outer	12,940
PANEL - Radiator	1,270
PANEL - Rear body lock	12,942
PANEL - Rear compartment front	12,971
PANEL - Rear door	12,913
PANEL - Rear end outer	12,966
PANEL - Rear wheelhouse	12,944
PANEL - Roof	12,810
PANEL - Shroud ventilator	12,803
PANEL - Shroud vent. closing	9,786
PANEL - Shroud vent. front	10,307
PANEL - Sill	12,934
PANEL - Transmission control indicator	4,038
PANEL - Underbody crossmember extension ..	12,982
PANEL - Vent. air duct	9,786
PAWL - Door lock	10,550
PAWL - Transmission parking brake	4,294
PEDAL - Accelerator	3,451
PEDAL - Brake	4,625
PEDAL - Clutch	0,830
PIECE - Gearshift control cable	4,006
PILLAR - Front body	12,805
PILLAR - Rear body	12,942
PIN - Brake anchor	5,055
PIN - Brake main cylinder rod clevis	4,662
PIN - Brake pad retaining	5,020
PIN - Brake pedal shaft retaining	4,636
PIN - Brake shoe hold down	5,041
PIN - Carburettor choke rod	3,798
PIN - Carburettor fast idle cam	3,736
PIN - Carburettor fast idle rod to lever	3,793
PIN - Carburettor float fulcrum	3,775

HOLDEN "LJ" PARTS CATALOGUE

PIN - Carburettor pump	3.783	PIPE - Fuel tank to pump	3.158
PIN - Carburettor pump control rod	3.783	PIPE - Fuel tank vent	3.003
PIN - Carburettor pump stem	3.778	PIPE - Fuel tank vent connector	3.003
PIN - Carburettor valve lifting	3.808	PIPE - Manifold to water pump	3.260
PIN - Clevis	8.942	PIPE - Oil pump	1.739
PIN - Clutch cable	0.787	PIPE - Spark control	2.424
PIN - Clutch housing dowel	0.683	PIPE - Transmission oil cooler	4.128
PIN - Clutch pedal retaining	0.837	PIPE - Transmission vacuum modulator	4.205
PIN - Cotter	8.938	PIPE & SCREEN - Oil pump	1.656
PIN - Coupling cotter	6.524	PISTON ASSEMBLY	0.629
PIN - Deck lid hinge	12.186	PISTON - Brake caliper	4.668
PIN - Differential pinion shaft lock	5.518	PISTON - Carburettor choke	3.799
PIN - Distributor gear	2.379	PISTON - Carburettor pump	3.778
PIN - Distributor shaft washer retaining	2.372	PISTON - Brake main cylinder	4.653
PIN - Door hinge	10.466	PISTON - Carburettor vacuum power	3.788
PIN - Dowel	8.939	PISTON - Transmission accumulator	4.228
PIN - Flywheel to crankshaft dowel	0.669	PISTON - Transmission clutch	4.166
PIN - Front door ventilator locking handle ..	10.664	PISTON - Transmission servo	4.228
PIN - Front door ventilator pivot	10.669	PISTON - Wheel brake cylinder	4.668
PIN - Fuel pump rocker arm	3.921	PIVOT - Carburettor fast idle cam	3.735
PIN - Gearshift control lever	4.006	PIVOT - Front door ventilator	10.669
PIN - Gearshift control tube	4.007	PIVOT - Valve rocker arm	0.429
PIN - Gearshift intermediate lever	4.019	PIVOT & BRACKET - Windshield wiper	10.159
PIN - Gearshift lever pivot	4.007	PLATE - Battery retainer lock	2.333
PIN - Gearshift 1st & reverse shift rod	4.020	PLATE - Brake adjuster lever	5.103
PIN - Gearshift 2nd & 3rd shift rod	4.019	PLATE - Brake anchor	5.075
PIN - Groove	8.940	PLATE - Brake backing	5.001
PIN - Hand brake cable clevis	4.823	PLATE - Brake booster relay shaft lock	4.628
PIN - Hand brake lever	5.158	PLATE - Brake shoe guide	5.045
PIN - Hood safety catch	8.036	PLATE - Camshaft thrust	0.533
PIN - Piston	0.636	PLATE - Clutch	0.886
PIN - Quarter window	10.998	PLATE - Clutch fork guide	0.797
PIN - Speedometer driven gear guide	4.337	PLATE - Clutch fork sliding	0.797
PIN - Spring	8.941	PLATE - Clutch pressure	0.863
PIN - Starter motor shift lever pivot	2.108	PLATE - Deck lid name	12.182
PIN - Steering tie rod ball nut lock	6.235	PLATE - Differential pinion flange lock	5.546
PIN - Transmission control lever	4.019	PLATE - Differential preload spring	5.511
PIN - Transmission control lever	4.030	PLATE - Distributor breaker	2.385
PIN - Transmission detent cam	4.311	PLATE - Door lock striker	10.571
PIN - Trans. downshift timing valve stop ..	4.265	PLATE - Engine size	8.132
PIN - Transmission 1st & 2nd shifter lever ..	4.314	PLATE - Flywheel crankshaft	0.669
PIN - Trans. 1st & 2nd shifter yoke	4.303	PLATE - Front door scuff	11.175
PIN - Trans. 1st & 2nd speed cam	4.308	PLATE - Front door trim name	14.691
PIN - Transmission oil pump	4.226	PLATE - Front door ventilator filler	10.655
PIN - Transmission reaction band	4.251	PLATE - Front door ventilator locking handle striker	10.686
PIN - Transmission reverse shifter lever pivot	4.316	PLATE - Front fender name	8.132
PIN - Transmission reverse shifter yoke	4.304	PLATE - Front shock absorber	7.370
PIN - Transmission reverse striking lever ..	4.307	PLATE - Gearshift lever	4.015
PIN - Transmission selector lever	4.301	PLATE - Gearshift pattern	15.290
PIN - Trans. selector shaft interlock collar stop	4.095	PLATE - Generator drive end	2.305
PIN - Trans. selector shaft to shift lever	4.108	PLATE - Generator field terminal	2.289
PIN - Transmission shifter rod	4.035	PLATE - Hood catch	8.085
PIN - Transmission 3rd & 4th shifter lever ..	4.315	PLATE - Inside door handle bearing	10.515
PIN - Transmission 3rd & 4th shifter yoke ..	4.303	PLATE - Manifold locking	3.276
PINION - Differential	5.526	PLATE - Mirror support mounting	10.187
PINION - Steering	6.524	PLATE - Radiator grille name	1.265
PINION SET - Planet carrier	4.177	PLATE - Rear axle bearing retainer	5.816
PIPE - Automatic choke heat	3.720	PLATE - Rear door belt moulding anchor ..	12.114
PIPE - Brake	4.685	PLATE - Rear door scuff	11.179
PIPE - Camshaft cover hose	1.762	PLATE - Rear quarter name	12.116
PIPE - Carburettor fuel	3.201	PLATE - Rear shock absorber	7.370
PIPE - Exhaust	3.609	PLATE - Reverse gear anti-lash	4.419
PIPE - Fuel tank filler	3.003	PLATE - Sill panel sealing	12.934

HOLDEN "LJ" PARTS CATALOGUE

PLATE - Starter motor armature thrust	2.063
PLATE - Starter motor brush holder	2.052
PLATE - Starter motor pinion	2.087
PLATE - Steering gear bolt locking	6.509
PLATE - Steering gear housing cover	6.807
PLATE - Throttle shaft abutment	3.731
PLATE - Transmission clutch	4.163
PLATE - Transmission oil pump wear	4.226
PLATE - Transmission planet pinion locking.	4.177
PLATE - Transmission planet shaft	4.177
PLATE - Transmission support mounting nut.	4.081
PLATE - Transmission valve body transfer ..	4.265
PLATE - Transmission valve transfer	4.265
PLATE - Wiper motor mounting seal retainer	10.152
PLATE - Quarter window	10.998
PLATE - Starter motor brush holder	2.052
PLUG - Auxiliary shaft	0.553
PLUG - Axle housing drain	5.400
PLUG - Axle housing filler	5.400
PLUG - Back-up lamp switch hole	12.980
PLUG - Body side panel	12.948
PLUG - Brake adjusting screw	5.111
PLUG - Brake main cylinder	4.652
PLUG - Camshaft rear bearing	0.553
PLUG - Carburettor main body channel.....	3.767
PLUG - Carburettor main metering jet	3.755
PLUG - Carburettor pump check valve	3.784
PLUG - Carburettor pump jet	3.757
PLUG - Carburettor throttle body channel...	3.767
PLUG - Choke control hole	9.743
PLUG - Cigarette lighter hole	9.743
PLUG - Crankcase cover	0.209
PLUG - Cylinder block	0.033
PLUG - Cylinder head	0.269
PLUG - Cylinder head & block oil gallery ..	1.928
PLUG - Dash panel	12.803
PLUG - Expansion	8.970
PLUG - Fuel pump rocker arm	3.921
PLUG - Gearshift lever housing cover	4.022
PLUG - Hand brake cable hole	12.980
PLUG - Inlet manifold	3.265
PLUG - Oil pan drain	1.453
PLUG - Oil pressure regulator	1.611
PLUG - Pipe	8.971
PLUG - Rear seat belt sealing	12.980
PLUG - Spark	2.270
PLUG - Transmission case	4.103
PLUG - Transmission filler	4.103
PLUG - Transmission oil pump	4.226
PLUG - Transmission selector lock	4.311
PLUG - Transmission valve body	4.265
PLUG - Underbody sealing	12.980
PLUG - Wheelhouse sealing	12.944
PLUNGER - Courtesy light switch	11.950
PLUNGER - Hand brake warning lamp switch	4.610
PLUNGER - Hood lock	8.085
PLUNGER - Rear compartment lamp switch..	11.960
PLUNGER - Transmission modulator	4.265
PLUNGER - Trans. reverse shifter lever lock	4.316
PLUNGER & KNOB - Cigarette	9.709
POINTER - Transmission control indicator ..	4.038
POLE SHOE - Starter motor	2.077
PROTECTOR - Brake main cylinder piston ..	4.654
PROTECTOR - Windshield	9.660

PULLEY - Auxiliary shaft	0.736
PULLEY - Camshaft	0.736
PULLEY - Crankshaft	0.659
PULLEY - Generator	2.274
PULLEY - Jockey	1.065
PULLEY - Water pump & fan	1.062
PUMP - Fuel	3.900
PUMP - Oil	1.652
PUMP - Transmission oil	4.226
PUMP - Water	1.069

R

RACE & RETAINER - Transmission clutch ...	4.158
RACK - Steering gear	6.525
RADIATOR ASSEMBLY	1.219
RADIO	9.662
RAIL - Engine mounting side	12.980
RAIL - Roof side	12.956
RAIL - Transmission selector fork	4.309
RAIL - Windshield	12.807
RECTIFIER - Generator	2.289
REGULATOR - Front door window	10.783
REGULATOR - Rear door window	10.791
REGULATOR - Voltage & current	2.500
REINFORCEMENT - Body hinge pillar.....	12.805
REINFORCEMENT - Door lock striker panel .	12.491
REINFORCEMENT - Front seat adjuster	11.595
REINFORCEMENT - Rear axle bearing ret. ...	5.816
REINFORCEMENT - Rear end outer panel ...	12.966
REINFORCEMENT - Transmission mounting..	4.081
REINFORCEMENT - Transmission support ...	4.081
REINFORCEMENT - Trans. valve transfer plate,	4.265
REINFORCEMENT - Valve rocker cover.....	0.413
RESERVOIR - Windshield washer	8.798
RESISTOR - Fuel gauge	2.515
RESTRICTOR - Oil feed hole cylinder block .	0.033
RESTRICTOR - Power plant mounting.....	0.027
RETAINER - Battery	2.333
RETAINER - Brake booster relay lever	4.628
RETAINER - Brake main cyl. piston spring ..	4.655
RETAINER - Brake main cylinder push rod ..	4.658
RETAINER - Brake pedal shaft	4.636
RETAINER - Camshaft baffle	0.386
RETAINER - Carburettor choke kick rod	3.799
RETAINER - Carburettor choke starter bar...	3.791
RETAINER - Carburettor orifice jet bushing..	3.802
RETAINER - Clutch fork ball stud	0.796
RETAINER - Clutch gear bearing	4.356
RETAINER - Clutch lever	0.852
RETAINER - Crankshaft damper	0.659
RETAINER - Deck lid lock cylinder	12.248
RETAINER - Deck lid lock tumbler	12.248
RETAINER - Distributor breaker plate ball ..	2.385
RETAINER - Distributor clamp	2.414
RETAINER - Door lock barrel	10.553
RETAINER - Door lock striker plate	10.571
RETAINER - Door lock tumbler spring.....	10.550
RETAINER - Door weatherstrip	10.695
RETAINER - Front crossmember insulator ...	6.008
RETAINER - Front door trim	14.685
RETAINER - Front seat adjusting spring	11.582
RETAINER - Front seat side arm	11.377
RETAINER - Fuel pump rocker arm spring ...	3.922

HOLDEN "LJ" PARTS CATALOGUE

RETAINER - Fuel pump seal	3.902	RING - Inlet manifold adaptor	3.260
RETAINER - Fuel pump valve	3.913	RING - Input shaft oil seal	4.127
RETAINER - Gearshift control cover	4.015	RING - Low servo piston	4.127
RETAINER - Gearshift control spacer tube ...	4.007	RING - Main shaft front	4.353
RETAINER - Gearshift lever boot	4.015	RING - Main shaft lock	4.412
RETAINER - Gearshift lever boot cover	4.015	RING - Oil filter	1.837
RETAINER - Gearshift lever cover	4.015	RING - Rear axle bearing retainer	5.816
RETAINER - Gearshift 1st & reverse shift ...	4.020	RING - Rear seat cushion hog	11.611
RETAINER - Gearshift 2nd & 3rd shift	4.019	RING - Reverse clutch pack snap	4.128
RETAINER - Hood catch spring	8.085	RING - Reverse clutch piston ret. spring snap	4.128
RETAINER - Hood stay	8.012	RING - Spark plug wire retainer	2.253
RETAINER - Ignition switch tumbler	2.188	RING - Speedometer drive gear	4.337
RETAINER - Inst. panel compartment lid lock	10.267	RING - Speedometer driven gear	4.338
RETAINER - Rear axle bearing	5.816	RING - Starter motor collar retaining	2.096
RETAINER - Rear axle filter pad	5.387	RING - Starter motor pinion lock	2.087
RETAINER - Rear quarter moulding	12.116	RING - Starter motor pinion retaining	2.096
RETAINER - Rear quarter trim	15.101	RING - Starter motor shift lever	2.108
RETAINER - Rear seat back	11.634	RING - Synchronizing clutch sleeve	4.385
RETAINER - Rear spring	7.552	RING - Transmission accumulator piston ...	4.128
RETAINER - Rocker outer panel moulding ...	8.304	RING - Transmission bearing	4.412
RETAINER - Speedometer cable drive end ...	4.342	RING - Transmission clutch gear	4.376
RETAINER - Steering tie rod ball boot	6.233	RING - Transmission clutch retainer	4.128
RETAINER - Transmission converter	4.156	RING - Transmission detent cam	4.311
RETAINER - Transmission detent roller	4.279	RING - Transmission detent roller	4.279
RETAINER - Transmission governor secondary valve spring	4.256	RING - Transmission governor shaft	4.259
RETAINER - Trans. oil pump priming valve ..	4.226	RING - Transmission governor to output shaft	4.128
RETAINER - Transmission servo piston	4.233	RING - Transmission governor weight	4.256
RETAINER - Transmission servo spring	4.233	RING - Transmission hydraulic modulator ...	4.265
RETAINER - Transmission shift control tube ..	4.007	RING - Transmission oil seal	4.127
RETAINER - Transmission shifter rod	4.035	RING - Transmission parking brake actuator to inner lever	4.294
RETAINER - Transmission T. V. control cable	4.040	RING - Transmission parking brake lock ...	4.294
RETAINER - Upper control arm bush	6.164	RING - Trans. parking pawl shaft ret. .	4.290
RETAINER - Valve lifter plunger	0.459	RING - Transmission pressure regulator	4.265
RETAINER - Wiper frame	10.150	RING - Transmission retainer	4.128
RETAINER - Wiper motor mounting insulator	10.152	RING - Transmission reverse clutch piston ..	4.128
RIM - Headlamp	2.728	RING - Transmission ring gear retainer	4.128
RIM - Tail, stop & turn signal lamp	2.681	RING - Transmission selector shaft	4.301
RING - Ball joint boot	6.168	RING - Trans. servo piston retainer	4.128
RING - Brake main cylinder lock	4.656	RING - Transmission T. V. cable seal	4.040
RING - Camshaft gear spacing	0.738	RING - Transmission throttle valve retainer .	4.265
RING - Carb. air valve diaphragm retaining .	3.807	RING - Transmission synchronizer	4.383
RING - Carb. damper bush retaining	3.803	RING - Transmission synchronizer snap	4.382
RING - Carburettor emulsion block	3.752	RING - Turn signal lamp switch retaining ...	2.895
RING - Carburettor injector sealing	3.757	RING - Turn signal lamp switch support	2.895
RING - Carburettor pump lever	3.782	RING - Water pump bearing locking	1.112
RING - Carburettor thermostat	3.796	RING - Wheel brake cylinder boot	4.670
RING - Clutch diaphragm spring	0.866	RING - Wheel brake cylinder sealing	4.667
RING - Clutch drum oil seal	4.127	RING - Wheel trim	5.871
RING - Clutch flange retainer	4.128	RING GEAR & PINION ASSEMBLY	5.529
RING - Clutch gear bearing	4.376	RING SET - Piston	0.643
RING - Clutch gear bearing lock	4.376	RIVET	8.967
RING - Clutch gear bearing oil deflector ...	4.374	RIVET - Brake lining	5.019
RING - Clutch gear bearing snap	4.376	RIVET - Clutch facing	0.884
RING - Clutch gear seal	4.370	RIVET - Cylinder block dip stick hole	0.033
RING - Clutch spring snap	4.128	RIVET - Hood lock lever	8.079
RING - Distributor cam spacer	2.381	RIVET - Spark plug cable bracket	0.386
RING - Front wheel brake cylinder sealing ..	4.665	ROD - Accelerator control	3.430
RING - Fuel gauge	3.107	ROD - Air cleaner	3.403
RING - Gearshift lever boot	4.015	ROD - Brake main cylinder push	4.658
RING - Gearshift lever knob	4.009	ROD - Carburettor choke	3.798
RING - Governor hub oil seal	4.127	ROD - Carburettor choke kick	3.799
RING - Headlamp mounting	2.726	ROD - Carburettor fast idle	3.793
RING - Headlamp retaining	2.731	ROD - Carburettor pump	3.782

HOLDEN "LJ" PARTS CATALOGUE

ROD - Carburettor pump control.....	3. 783	SCREW - Carburettor pump cover to body....	3. 782
ROD - Carburettor volume restrictor	3. 753	SCREW - Carburettor pump lever	3. 781
ROD - Clutch cable	0. 787	SCREW - Carburettor pump nozzle	3. 759
ROD - Clutch lever push	0. 839	SCREW - Carburettor slow idle adjusting	3. 734
ROD - Connecting	0. 603	SCREW - Carburettor suction chamber cover .	3. 804
ROD - Deck lid torque	12. 187	SCREW - Carburettor thermostat	3. 796
ROD - Door inside locking	10. 563	SCREW - Carburettor throttle valve attaching.	3. 729
ROD - Door lock remote control.....	10. 506	SCREW - Carburettor ventilation cap.....	3. 725
ROD - Door outside handle	10. 529	SCREW - Distributor breaker plate	2. 385
ROD - Fast idler inter connecting.....	3. 793	SCREW - Distributor cap retaining spring	2. 368
ROD - Front seat head restraint.....	11. 376	SCREW - Distributor condenser attaching	2. 393
ROD - Front suspension control	6. 169	SCREW - Distributor contact locking	2. 384
ROD - Gearshift control	4. 019	SCREW - Distributor vacuum control attaching	2. 410
ROD - Gearshift 1st & reverse shift.....	4. 020	SCREW - Flat head	8. 977
ROD - Gearshift 2nd & 3rd shift	4. 019	SCREW - Fuel pump attaching	3. 900
ROD - Lighting switch control	2. 486	SCREW - Fuel pump cover.....	3. 910
ROD - Oil level indicator	1. 516	SCREW - Fuel pump filter cover.....	3. 906
ROD - Rear door inside locking	10. 556	SCREW - Gearshift carrier shaft	4. 019
ROD - Steering tie	6. 230	SCREW - Gearshift control lever.....	4. 006
ROD - Throttle torsion	3. 430	SCREW - Generator interference suppressor...	2. 314
ROD - Transmission control.....	4. 040	SCREW - Headlamp beam adjusting	2. 737
ROD - Transmission servo piston apply	4. 230	SCREW - Headlamp retaining	2. 731
ROD - Transmission shifter	4. 035	SCREW - Headlamp rim.....	2. 728
ROD - Valve push	0. 426	SCREW - Hexagon head	8. 977
ROD & LEVER - Throttle linkage	3. 430	SCREW - Horn actuating bar	2. 830
ROLLER - Transmission detent.....	4. 279	SCREW - Horn actuating bar adaptor	2. 824
ROLLER & SPRING - Transmission detent.....	4. 279	SCREW - Horn contact adjusting	2. 819
ROTOR - Distributor	2. 382	SCREW - Horn contact support & ring	2. 822
ROTOR - Generator	2. 279	SCREW - Inst. panel compartment lid lock ..	10. 267
ROTOR - Water pump.....	1. 109	SCREW - Mirror support	10. 158
		SCREW - Oil pan.....	1. 426
		SCREW - Oil pump cover.....	1. 723
		SCREW - Oval head	8. 977
		SCREW - Pan head	8. 977
		SCREW - Parking & turn signal lamp lens	2. 589
		SCREW - Power plant mounting bracket	0. 027
		SCREW - Radiator grille	1. 269
		SCREW - Rear door division channel	10. 829
		SCREW - Rocker cover fixing	0. 386
		SCREW - Round head	8. 977
		SCREW - Seat belt stowage	14. 799
		SCREW - Set	8. 975
		SCREW - Sheet metal	8. 977
		SCREW - Starter motor armature bearing cap.	2. 063
		SCREW - Starter motor brush holder plate....	2. 052
		SCREW - Starter motor commutator end cover	2. 070
		SCREW - Starter motor solenoid switch	2. 100
		SCREW - Transmission cover	4. 105
		SCREW - Transmission governor	4. 256
		SCREW - Transmission oil pan	4. 195
		SCREW - Transmission planet shaft	4. 177
		SCREW - Transmission selector coupling.....	4. 301
		SCREW - Transmission selector locking ball..	4. 311
		SCREW - Transmission support mounting	4. 081
		SCREW - Valve tappet adjuster.....	0. 429
		SCREW - Washer head	8. 977
		SCREW - Wheel brake cylinder fixing	4. 665
		SCREW - Wiper motor	10. 150
		SCREW & GASKET - Trans. oil pan drain....	4. 195
		SCREW & WASHER - Carb. main body	3. 748
		SCREW & WASHER - Dash pot bracket	3. 723
		SCREW & WASHER - Dist. contact breaker...	2. 387
		SEAL - Auxiliary shaft front	0. 539
		SEAL - Brake main cylinder piston.....	4. 654

S

SCREEN - Carburettor pump strainer	3. 787
SCREEN - Dash panel closing	12. 803
SCREEN - Fuel pump	3. 929
SCREEN - Oil pump	1. 656
SCREEN - Radiator insect	9. 665
SCREEN - Transmission governor valve	4. 256
SCREEN - Transmission oil pump suction	4. 224
SCREEN - Transmission throttle valve feed ...	4. 265
SCREW - Brake adjusting	5. 110
SCREW - Brake main cylinder.....	4. 656
SCREW - Brake main cylinder primary piston stop	4. 653
SCREW - Brake main cylinder reservoir to body	4. 651
SCREW - Camshaft cover	0. 386
SCREW - Carburettor air horn	3. 763
SCREW - Carburettor air valve diaphragm ring	3. 807
SCREW - Carburettor choke cable bracket ...	3. 795
SCREW - Carburettor choke cable locking ...	3. 791
SCREW - Carburettor choke kick diaphragm ..	3. 799
SCREW - Carburettor choke piston stop	3. 799
SCREW - Carburettor choke tube clamp	3. 795
SCREW - Carburettor choke valve	3. 789
SCREW - Carburettor choke wire clamp	3. 791
SCREW - Carburettor choke tube holder	3. 795
SCREW - Carburettor economy device	3. 806
SCREW - Carburettor emulsion block	3. 752
SCREW - Carburettor fast idle.....	3. 737
SCREW - Carburettor float chamber.....	3. 800
SCREW - Carburettor float chamber cover ...	3. 763
SCREW - Carburettor fast idle rod to cam ...	3. 793
SCREW - Carburettor metering needle	3. 814

HOLDEN "LJ" PARTS CATALOGUE

SEAL - Brake main cylinder reservoir to body.	4.651	SEAT & SPRING PACKAGE - Fuel pump valve	3.913
SEAL - Camshaft front	0.539	SENDER UNIT - Engine gauge	0.277
SEAL - Carburettor pilot jet	3.752	SENDER UNIT - Oil pressure, engine unit ...	1.803
SEAL - Clutch fork	0.797	SERVICE PACKAGE - Door locking	10.550
SEAL - Clutch housing	0.683	SERVICE SET - Radiator	1.219
SEAL - Converter housing	0.683	SHADE - Venetian	9.668
SEAL - Crank shaft rear bearing oil	0.137	SHADE - Windshield sun	9.680
SEAL - Crankcase front end cover oil	0.209	SHAFT - Auxiliary	0.519
SEAL - Distributor housing	2.362	SHAFT - Brake booster relay	4.628
SEAL - Door drain hole dust	10.694	SHAFT - Carburettor choke	3.791
SEAL - Front door inner panel	14.694	SHAFT - Carburettor pump	3.782
SEAL - Front fender	8.154	SHAFT - Carburettor throttle	3.731
SEAL - Front propeller shaft housing oil	4.317	SHAFT - Clutch over-centre spring	0.847
SEAL - Front wheel bearing	6.326	SHAFT - Counter gear	4.428
SEAL - Fuel gauge tank unit	3.112	SHAFT - Differential pinion	5.517
SEAL - Fuel pump body oil	3.902	SHAFT - Distributor	2.372
SEAL - Oil pan end	1.429	SHAFT - Front seat safety lock	11.377
SEAL - Parking & turn signal lamp lens screw	2.589	SHAFT - Front stabiliser	7.241
SEAL - Rear axle bearing oil	5.822	SHAFT - Gearshift control	4.019
SEAL - Rear axle pinion oil	5.469	SHAFT - Gearshift lever carrier	4.019
SEAL - Rear door ash tray	12.030	SHAFT - Gearshift, 1st & reverse cross	4.020
SEAL - Speedometer cable	4.342	SHAFT - Gearshift, 2nd & 3rd cross	4.019
SEAL - Steering column cover to dash	6.758	SHAFT - Oil pump driven gear	1.658
SEAL - Steering gear pinion oil	6.809	SHAFT - Propeller	5.441
SEAL - Transmission clutch	4.166	SHAFT - Rear axle	5.420
SEAL - Transmission clutch gear	4.354	SHAFT - Reverse idler gear	4.433
SEAL - Transmission detent valve sleeve oil .	4.279	SHAFT - Steering	6.524
SEAL - Transmission extension housing	4.317	SHAFT - Transmission control	4.019
SEAL - Transmission low servo cover	4.212	SHAFT - Transmission control lever	4.030
SEAL - Transmission oil pump	4.226	SHAFT - Transmission governor connecting .	4.259
SEAL - Transmission park lock & range		SHAFT - Transmission main	4.403
selector shaft oil	4.282	SHAFT - Transmission parking brake lock	
SEAL - Transmission rear bearing housing	4.317	pawl	4.294
SEAL - Transmission rear bearing housing	4.318	SHAFT - Trans. park lock & range selector .	4.294
SEAL - Transmission selector shaft	4.301	SHAFT - Transmission selector	4.107
SEAL - Transmission selector shaft	4.313	SHAFT - Transmission selector	4.301
SEAL - Transmission shift fork shaft	4.309	SHAFT - Transmission shifter	4.309
SEAL - Transmission shifter shaft	4.309	SHAFT - Transmission shift fork	4.309
SEAL - Transmission throttle valve lever	4.278	SHAFT - Upper control arm	6.164
SEAL - Valve push rod cover bolt	0.449	SHAFT - Wiper motor gear & cross	10.150
SEAL - Valve spring	0.308	SHAFT & BEARING - Water pump	1.108
SEAL - Vent panel aperture	9.786	SHAFT & BRACKET - Accelerator	3.430
SEAL - Water pump	1.123	SHAFT & LEVER - Throttle linkage	3.430
SEAL - Water pump rotor	1.109	SHAFT & ROTOR - Oil pump	1.709
SEAL - Wiper motor mounting	10.152	SHELF - Parcel	9.672
SEAL PACKAGE - Crankshaft rear bearing oil	0.137	SHIELD - Brake	5.001
SEAL & PLATE - Brake booster	4.908	SHIELD - Brake caliper	5.011
SEALED BEAM - Headlamp	2.727	SHIELD - Brake pipe	4.685
SEALING COMPOUND - Crankshaft	8.800	SHIELD - Front bumper stone	7.870
SEAT - Bump stop	12.982	SHIELD - Hand brake inter. lever bracket ..	4.797
SEAT - Front	14.796	SHIELD - Spark plug wire heat	2.251
SEAT - Front stabiliser shaft	7.242	SHIELD - Tail lamp inner lens dividing.....	2.679
SEAT - Fuel pump bowl	3.905	SHIELD - Valve stem	0.308
SEAT - Fuel pump diaphragm spring	3.927	SHIM - Control arm shaft	6.163
SEAT - Gearshift control support	4.018	SHIM - Crankshaft bearing cap	0.153
SEAT - Oil filter	1.837	SHIM - Differential side bearing spacer	5.537
SEAT - Rear spring	7.545	SHIM - Differential side gear thrust washer .	5.543
SEAT - Steering tie rod ball	6.235	SHIM - Distributor shaft	2.372
SEAT - Transmission clutch spring	4.158	SHIM - Gearshift control lever	4.006
SEAT - Transmission oil pump valve spring ..	4.226	SHIM - Mainshaft front	4.409
SEAT - Transmission reverse clutch piston ...	4.189	SHIM - Pinion bearing locating	5.460
SEAT - Transmission reverse clutch spring ...	4.189	SHIM - Pinion bearing pre-load	5.460
SEAT - Transmission valve body spring	4.265	SHIM - Pinion bearing spacer	5.460
SEAT - Transmission valve detent spring	4.279	SHIM - Starter motor pinion	2.087

HOLDEN "LJ" PARTS CATALOGUE

SHIM - Starter solenoid switch	2.100	SPACER - Transmission mounting	4.081
SHIM - Steering gear	6.508	SPACER - Trans. planet needle bearing	4.177
SHIM - Steering gear housing	6.807	SPACER - Transmission planet pinion	4.177
SHIM - Steering gear yoke	6.525	SPACER - Transmission support mounting ...	4.081
SHIM UNIT - Crankshaft bearing cap	0.153	SPACER - Trans. support mounting bolt	4.081
SHOCK ABSORBER ASSEMBLY	7.345	SPACER - Transmission T. V. cable lever...	4.040
SHOE - Starter motor armature brake	2.063	SPACER - Wheel brake cylinder cup	4.671
SHOE & LINING - Brake	5.017	SPINDLE & GEAR - Oil pump	1.709
SINK - Generator heat	2.289	SPLASH GUARD - Engine compartment	8.112
SLEEVE - Accelerator pull rod	3.430	SPOILER - Front	8.126
SLEEVE - Back-up lamp switch	2.697	SPOILER - Rear	12.967
SLEEVE - Converter pilot	0.649	SPRAG - Transmission input	4.158
SLEEVE - Cylinder head	0.269	SPRING - Accelerator return	3.459
SLEEVE - Gearshift 1st & reverse shift cross shaft	4.020	SPRING - Ball joint boot	6.168
SLEEVE - Gearshift 2nd & 3rd shift	4.019	SPRING - Brake adjuster	5.107
SLEEVE - Hand brake cable adjuster	4.826	SPRING - Brake adjusting nut	5.026
SLEEVE - Hand brake lever gaiter	4.608	SPRING - Brake hose yoke	4.681
SLEEVE - Pipe	8.963	SPRING - Brake main cylinder check valve .	4.657
SLEEVE - Starter motor	2.086	SPRING - Brake main cylinder piston	4.655
SLEEVE - Synchronizing clutch	4.385	SPRING - Brake pad damping	5.020
SLEEVE - Throttle linkage	3.430	SPRING - Brake pedal return	4.639
SLEEVE - Transmission control lever	4.030	SPRING - Brake shoe hold down pin	5.043
SLEEVE - Transmission detent valve	4.279	SPRING - Brake shoe retractor	5.026
SLEEVE - Trans. oil pump regulator valve ...	4.226	SPRING - Carb. air valve return	3.805
SLEEVE - Trans. parking brake actuator	4.294	SPRING - Carburettor check valve	3.760
SLEEVE - Trans. reaction sun gear bearing ...	4.103	SPRING - Carburettor choke control lever ...	3.791
SLEEVE - Transmission selector shaft	4.107	SPRING - Carburettor choke shaft return	3.791
SLEEVE - Transmission shift fork shaft	4.309	SPRING - Carburettor choke starter bar	3.791
SLEEVE - Trans. vacuum modulator pipe	4.205	SPRING - Carb. economy device diaphragm	3.806
SLEEVE - Transmission vacuum mod. valve ..	4.265	SPRING - Carburettor economy device valve	3.806
SLEEVE - Transmission valve body	4.265	SPRING - Carburettor fast idle	3.737
SLINGER - Differential pinion flange	5.545	SPRING - Carburettor fast idle cam return ..	3.735
SLIP RING - Generator rotor	2.279	SPRING - Carburettor float fulcrum pin	3.775
SOCKET - Body wiring lamp	13.090	SPRING - Carburettor idle needle valve	3.742
SOCKET - Handbrake warning lamp bulb	4.610	SPRING - Carburettor idle vent valve stem ..	3.764
SOCKET - Instrument panel bulb	2.515	SPRING - Carburettor orifice jet	3.754
SOCKET - Steering tie rod	6.233	SPRING - Carburettor pump	3.779
SOCKET & LEAD - Rear compartment lamp ..	11.960	SPRING - Carburettor pump control rod	3.783
SPACER - Aux. driving lamp switch	9.648	SPRING - Carburettor pump stem	3.779
SPACER - Brake booster mounting bracket ...	4.901	SPRING - Carburettor slow idle adjusting ...	3.734
SPACER - Brake pedal shaft	4.636	SPRING - Carburettor throttle return	3.731
SPACER - Carb. main body insulating	3.748	SPRING - Carburettor valve lifting pin	3.808
SPACER - Clutch pedal bracket & shaft	0.833	SPRING - Clutch diaphragm	0.865
SPACER - Counter shaft	4.423	SPRING - Clutch fork retaining	0.844
SPACER - Crankcase bracket to cover	0.206	SPRING - Clutch fork return	0.844
SPACER - Differential side bearing	5.537	SPRING - Clutch fork sliding plate retaining	0.798
SPACER - Differential side gear thrust	5.543	SPRING - Clutch over-centre	0.844
SPACER - Fan blade	1.064	SPRING - Clutch pedal retaining	0.837
SPACER - Flywheel to crankshaft	0.669	SPRING - Courtesy light switch	11.950
SPACER - Front crossmember insulator	6.008	SPRING - Deck lid lock tumbler	12.248
SPACER - Front seat lock handle	11.377	SPRING - Differential preload	5.511
SPACER - Front seat safety lock	11.377	SPRING - Distributor cap retaining	2.368
SPACER - Front shock absorber	7.370	SPRING - Door check link	10.606
SPACER - Front suspension control insulator ..	6.169	SPRING - Door handle	10.513
SPACER - Gearshift 2nd & 3rd shift	4.019	SPRING - Door lock	10.475
SPACER - Generator brace	2.317	SPRING - Door lock tumbler	10.550
SPACER - Generator mounting bracket	2.277	SPRING - Door outside handle	10.529
SPACER - Muffler	3.704	SPRING - Front	6.361
SPACER - Pinion bearing	5.453	SPRING - Front door ventilator locking handle	10.664
SPACER - Reverse idler gear	4.431	SPRING - Front door window regulator clutch	10.783
SPACER - Steering pinion	6.524	SPRING - Front seat adjuster	11.581
SPACER - Transmission clutch plate	4.163	SPRING - Front seat back	11.374
SPACER - Trans. mainshaft front bearing	4.353	SPRING - Front seat cushion	11.420
		SPRING - Front seat head restraint	11.376

HOLDEN "LJ" PARTS CATALOGUE

SPRING - Front seat lock return	11,377	SPRING - Transmission servo piston apply ...	4,228
SPRING - Fuel pump diaphragm	3,927	SPRING - Transmission servo piston cushion .	4,233
SPRING - Fuel pump rocker arm	3,922	SPRING - Transmission synchronizer	4,383
SPRING - Gearshift carrier shaft anti-rattle ..	4,019	SPRING - Trans. synchronizing clutch key ..	4,384
SPRING - Gearshift control lever	4,006	SPRING - Trans. T.V. cable lever return ...	4,040
SPRING - Gearshift lever	4,026	SPRING - Transmission valve body	4,265
SPRING - Gearshift lever anti-rattle	4,017	SPRING - Transmission valve detent	4,279
SPRING - Gearshift lever pull	4,017	SPRING - Valve	0,303
SPRING - Gearshift lower control	4,017	SPRING - Valve rocker arm retainer	0,378
SPRING - Gearshift reverse control	4,012	SPRING - Ventilator control	9,787
SPRING - Gearshift selector return	4,017	SPRING - Wheel brake cylinder	4,669
SPRING - Generator brush	2,286	SPRING - Window regulator handle escutcheon	10,806
SPRING - Hand brake cable yoke	4,826	SPRING - Wiper motor brush	10,150
SPRING - Hand brake intermediate lever	4,792	SPRING SET - Distributor weight	2,389
SPRING - Hand brake lever strut	5,151	SPRING SET - Starter motor brush	2,053
SPRING - Hand brake warning lamp switch ...	4,610	SPRING & FRAME - Front seat	11,373
SPRING - Headlamp light unit retaining	2,737	SPRING & FRAME - Rear seat back	11,628
SPRING - Hood catch	8,085	SPRING & FRAME - Rear seat cushion	11,610
SPRING - Hood catch lock plate	8,081	STARTER BAR - Carburettor choke	3,791
SPRING - Hood hinge	8,013	STATOR - Generator	2,310
SPRING - Hood lock bolt	8,085	STAY - Hood	8,012
SPRING - Hood safety catch	8,036	STAY - Radiator mounting	1,270
SPRING - Horn actuating bar adaptor	2,824	STEM - Carburettor idle vent valve	3,764
SPRING - Horn button retaining	2,820	STOP - Brake main cylinder primary piston .	4,653
SPRING - Ignition switch tumbler	2,188	STOP - Carburettor throttle	3,792
SPRING - Oil filter	1,837	STOP - Clutch pedal	0,829
SPRING - Oil-pressure regulator	1,610	STOP - Front door ventilator friction	10,669
SPRING - Parking & turn signal lamp socket ..	2,596	STOP - Front seat arm lock	11,377
SPRING - Rear	7,503	STOP - Instrument panel compartment lid ..	10,264
SPRING - Rear compartment lamp switch	11,960	STOP - Rear axle bump	5,395
SPRING - Rear door window regulator clutch .	10,791	STOP - Starter motor pinion	2,096
SPRING - Rear seat back	11,629	STRAINER - Fuel tank riser pipe	3,110
SPRING - Rear seat cushion	11,611	STRAP - Assist grip	15,390
SPRING - Reverse gear anti-lash	4,419	STRAP - Choke cable	3,521
SPRING - Starter motor armature brake shoe .	2,063	STRAP - Door pull-to	10,511
SPRING - Starter motor pinion	2,087	STRAP - Windshield wiper motor	10,150
SPRING - Steering gear housing cover plate ..	6,807	STRIKER - Deck lid lock	12,237
SPRING - Steering tie rod ball	6,235	STRIKER - Door lock	10,569
SPRING - Steering tie rod ball boot	6,233	STRIKER - Inst. panel compartment lid lock	10,268
SPRING - Synchronizing	4,383	STRIP - Hood landing	9,127
SPRING - Throttle linkage	3,430	STRIP - Door glass run channel	10,710
SPRING - Throttle shaft return	3,731	STRUT - Hand brake actuating lever	5,150
SPRING - Timing chain tensioner body lock ..	0,726	STRUT - Transmission brake band	4,253
SPRING - Timing gear oil nozzle	0,748	STUD - Camshaft cover	0,386
SPRING - Turn signal lamp switch	2,895	STUD - Carburettor to manifold	3,288
SPRING - Transmission accumulator piston ...	4,233	STUD - Clutch fork ball	0,796
SPRING - Transmission clutch release	4,164	STUD - Cylinder block	0,033
SPRING - Transmission clutch return	4,164	STUD - Crankcase cover	0,206
SPRING - Transmission control lever	4,019	STUD - Hand brake equaliser	4,765
SPRING - Transmission detent cam	4,311	STUD - Manifold	3,275
SPRING - Transmission detent roller	4,279	STUD - Rear door division channel	10,829
SPRING - Transmission governor	4,256	STUD - Valve rocker arm	0,429
SPRING - Trans. governor secondary valve ...	4,256	SUNDRY PARTS KIT - Starter motor	2,080
SPRING - Transmission oil pump valve	4,226	SUNDRY PARTS SET - Gen. drive end bearing	2,307
SPRING - Trans. parking brake pawl		SUNDRY PARTS SET - Generator heat sink ..	2,289
disengaging	4,295	SUN VISOR	10,203
SPRING - Transmission reverse clutch	4,189	SUPPORT - Battery mounting	2,333
SPRING - Transmission reverse shifter lever ..	4,316	SUPPORT - Brake booster mounting	4,901
SPRING - Transmission selector fork ball	4,311	SUPPORT - Clutch relay shaft	0,852
SPRING - Transmission selector lever	4,020	SUPPORT - Deck lid lock striker	12,237
SPRING - Transmission selector lock	4,311	SUPPORT - Door outside handle	10,529
SPRING - Transmission selector locking ball .	4,311	SUPPORT - Front door vent friction unit	10,669
SPRING - Transmission selector shaft	4,108	SUPPORT - Gearshift control	4,018
SPRING - Transmission servo piston	4,233	SUPPORT - Muffler	3,704

HOLDEN "LJ" PARTS CATALOGUE

SUPPORT - Oil indicator tube	1.516
SUPPORT - Oil pump suction pipe	1.742
SUPPORT - Rear floor cover	11.179
SUPPORT - Rear vision mirror	10.187
SUPPORT - Sun visor	10.219
SUPPORT - Tail lamp	12.940
SUPPORT - Throttle linkage	3.430
SUPPORT - Under body engine rear mounting	12.982
SUPPORT & RING - Horn contact	2.822
SUPPRESSOR - Generator interference	2.314
SWITCH - Auxiliary driving lamp	9.648
SWITCH - Back-up lamp	2.697
SWITCH - Brake pressure warning	4.686
SWITCH - Dimmer	2.459
SWITCH - Heater fan	9.779
SWITCH - Ignition & starting	2.188
SWITCH - Lighting	2.485
SWITCH - Oil pressure tell-tale	1.803
SWITCH - Starter solenoid	2.100
SWITCH - Stop light	2.447
SWITCH - Thermo. tell-tale	0.277
SWITCH - Trans. neutral starting & back-up	4.054
SWITCH - Turn signal lamp	2.895
SWITCH - Windshield washer	8.798
SWITCH & PUMP - Wiper & washer	10.163
SWIVEL - Carburettor fast idle rod	3.793
SYNCHRONIZER - Transmission	4.380

T

TANK - Fuel	3.001
TAPPET - Brake adjusting	5.111
TAPPET - Valve	0.459
TEE - Radiator hose	9.779
TERMINAL - Body wiring harness	13.090
TERMINAL - Starter motor field	2.077
TERMINAL - Windshield wiper motor	10.150
THERMOSTAT	1.246
THRUST PIECE - Reverse interlock spring	4.311
TRANSFER - Valve rocker cover	0.388
TRANSMISSION ASSEMBLY	4.003
TRIM - Front door	14.685
TRIM - Rear door	14.760
TRIM - Rear quarter	15.100
TRIM - Wheel centre	5.871
TRUNNION - Accelerator pull rod	3.430
TRUNNION - Brake main cylinder push rod ..	4.658
TRUNNION - Throttle linkage	3.430
TRUNNION - Transmission shifter rod	4.035
TUBE - Carburettor emulsion	3.752
TUBE - Carburettor idle	3.752
TUBE - Carburettor vent	3.763
TUBE - Cylinder head water distributor	0.270
TUBE - Exhaust manifold choke heat	3.603
TUBE - Gearshift control	4.007
TUBE - Oil level rod	1.516
TUBE - Transmission oil filler	4.133
TUBE - Transmission servo apply pressure ..	4.265
TUBE - Transmission shift control	4.007
TUBE - Vacuum hose fitting in manifold ..	1.762
TUMBLER - Deck lid lock cylinder	12.248
TUMBLER - Door lock	10.550
TUMBLER - Ignition switch	2.188

U

'U' BOLT - Exhaust pipe	3.616
'U' BOLT - Front stabiliser shaft	7.242
'U' BOLT - Universal joint	5.586
UNION - Brake pipe	4.686
UNION - Pipe	8.963

V

VACUUM CONTROL - Distributor	2.410
VALVE - Brake main cylinder check	4.657
VALVE - Brake vacuum booster	4.904
VALVE - Brake vacuum servo hose	4.931
VALVE - Carb. accelerator pump check ball ..	3.760
VALVE - Carburettor air	3.807
VALVE - Carburettor choke	3.789
VALVE - Carburettor economy device	3.806
VALVE - Carburettor float needle	3.771
VALVE - Carburettor idle needle	3.741
VALVE - Carburettor idle vent	3.764
VALVE - Carburettor pump check	3.784
VALVE - Carburettor pump discharge	3.757
VALVE - Carburettor throttle	3.729
VALVE - Crankcase ventilator	1.762
VALVE - Exhaust	0.297
VALVE - Inlet	0.296
VALVE ASSEMBLY - Oil filter by-pass	1.837
VALVE - Oil pressure regulator	1.609
VALVE - Transmission detent	4.279
VALVE - Transmission governor primary	4.256
VALVE - Transmission governor secondary ..	4.256
VALVE - Transmission oil pump	4.226
VALVE - Transmission manual control	4.265
VALVE - Transmission modulator	4.265
VALVE - Transmission vacuum modulator ..	4.265
VALVE - Trans. vacuum modulator pipe ..	4.205
VALVE - Transmission valve body	4.265
VALVE - Wheel brake cylinder bleeder	4.666
VALVE & CAGE ASSEMBLY - Fuel pump ..	3.909
VALVE & RETAINER PACKAGE - Fuel pump ..	3.909
VENT - Rear axle	5.387
VENT ASSEMBLY - Transmission	4.104
VENTILATOR - Front door	10.650
VERTEBRA - Windshield wiper blade	10.146

W

WASHER - Auxiliary shaft	0.736
WASHER - Back-up lamp switch	2.697
WASHER - Ball joint	6.168
WASHER - Brake adjusting screw	5.110
WASHER - Brake booster relay lever	4.628
WASHER - Brake disc to hub tab	6.307
WASHER - Brake main cylinder plug	4.652
WASHER - Brake main cyl. reservoir to body ..	4.651
WASHER - Brake main cylinder rod clevis ..	4.662
WASHER - Brake pedal shaft retainer	4.636
WASHER - Brake shoe hold down pin cup ..	5.043
WASHER - Bumper bar bolt	7.836
WASHER - Camshaft front	0.736
WASHER - Camshaft rear	0.533

HOLDEN "LJ" PARTS CATALOGUE

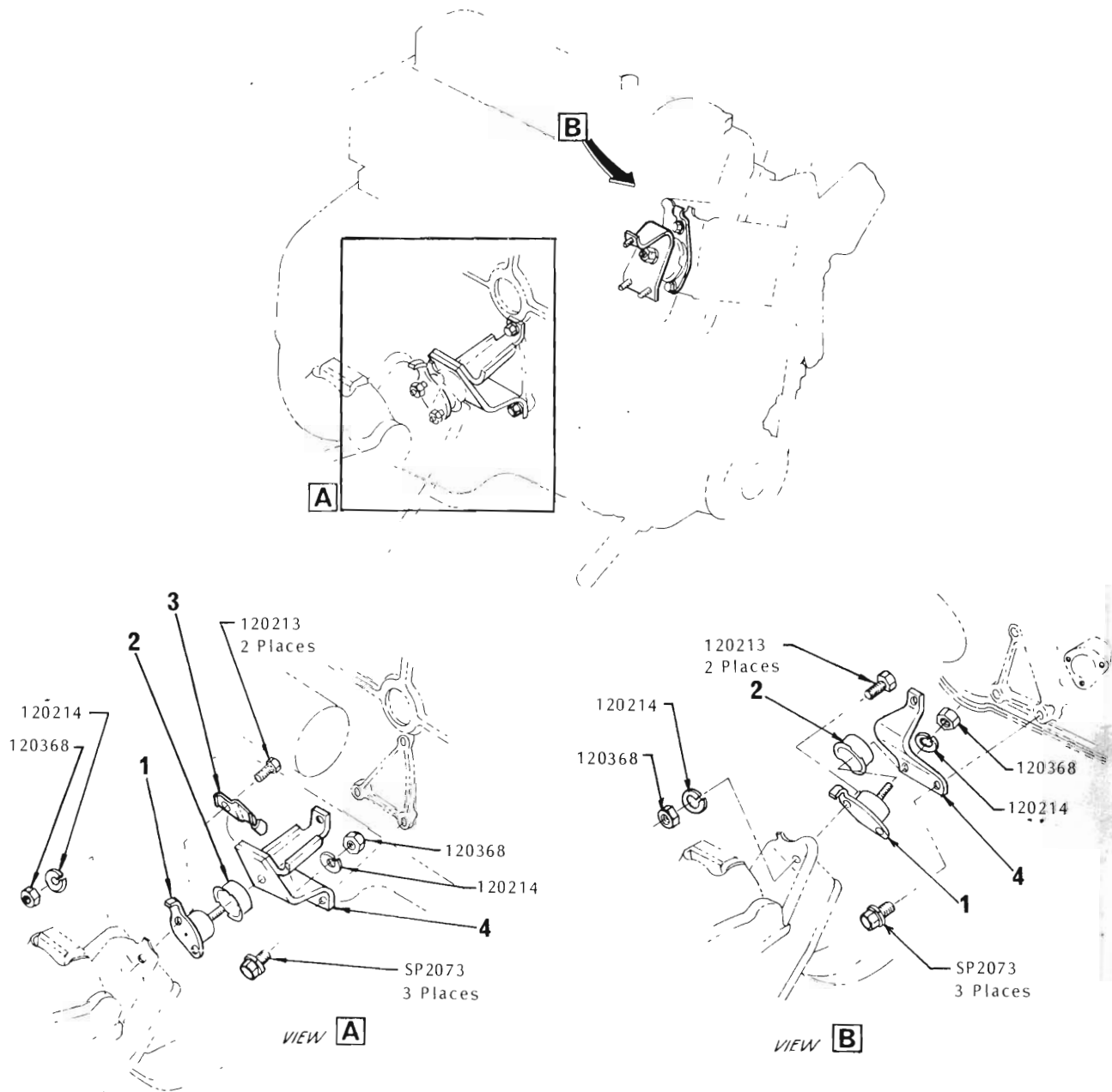
WASHER - Carburettor choke shaft	3. 791	WASHER - Rear license plate mounting	2. 670
WASHER - Carb. choke tube clamp screw ...	3. 795	WASHER - Rear quarter moulding sealing ...	12. 116
WASHER - Carburettor damper	3. 803	WASHER - Reverse idler gear thrust	4. 432
WASHER - Carburettor economy device	3. 806	WASHER - Rocker outer panel moulding	8. 304
WASHER - Carburettor fast idle	3. 793	WASHER - Selector lever external	4. 020
WASHER - Carburettor fast idle lever	3. 792	WASHER - Shakeproof	8. 932
WASHER - Carburettor float chamber	3. 800	WASHER - Speedometer drive	4. 337
WASHER - Carburettor idle vent	3. 764	WASHER - Spring	8. 928
WASHER - Carburettor main jet	3. 754	WASHER - Starter motor brush holder plate ..	2. 052
WASHER - Carburettor orifice jet bushing	3. 805	WASHER - Starter motor drive end	2. 096
WASHER - Carburettor pump lever	3. 781	WASHER - Starter motor drive end bracket	
WASHER - Carburettor pump link pin	3. 783	thrust	2. 063
WASHER - Carburettor pump spacing	3. 782	WASHER - Starter motor pinion thrust	2. 087
WASHER - Carburettor thermostat cover	3. 796	WASHER - Starter motor shift lever	2. 108
WASHER - Carburettor thermostat housing ...	3. 796	WASHER - Starter solenoid switch	2. 102
WASHER - Carburettor thermostat lever	3. 797	WASHER - Starter motor through bolt	2. 077
WASHER - Carburettor throttle shaft spacing ..	3. 731	WASHER - Starter solenoid switch terminal	
WASHER - Choke control	3. 521	nut	2. 100
WASHER - Clutch cable insulator	0. 787	WASHER - Steering knuckle spindle nut	6. 321
WASHER - Clutch drum thrust	4. 129	WASHER - Throttle shaft distance	3. 731
WASHER - Clutch fork bracket	0. 846	WASHER - Throttle shaft sealing	3. 731
WASHER - Clutch gear bearing oil deflector ..	4. 374	WASHER - Trans. control anti-rattle	4. 019
WASHER - Clutch gear bearing retainer	4. 356	WASHER - Transmission control anti-rattle ..	4. 040
WASHER - Clutch hub front thrust	4. 129	WASHER - Transmission control lever	4. 030
WASHER - Clutch hub rear thrust	4. 129	WASHER - Transmission detent cam	4. 311
WASHER - Counter shaft	4. 423	WASHER - Transmission extension housing ..	4. 317
WASHER - Crankcase cover	0. 206	WASHER - Trans. planet input sun gear thrust	4. 177
WASHER - Crankshaft pulley	0. 659	WASHER - Transmission planet pinion	4. 177
WASHER - Deck lid name plate sealing	12. 182	WASHER - Trans. rear bearing housing	4. 317
WASHER - Differential pinion flange nut	5. 545	WASHER - Transmission selector lever	4. 020
WASHER - Differential pinion thrust	5. 542	WASHER - Trans. selector locking screw ...	4. 311
WASHER - Differential side gear thrust	5. 543	WASHER - Transmission selector shaft	4. 301
WASHER - Distributor breaker plate screw lock	2. 385	WASHER - Transmission servo spring	4. 233
WASHER - Distributor cam retainer	2. 381	WASHER - Transmission throttle valve outer	
WASHER - Distributor shaft	2. 372	lever	4. 286
WASHER - Distributor weight spacer	2. 388	WASHER - Transmission thrust	4. 129
WASHER - Finish	8. 930	WASHER - Turn signal lamp switch thrust ...	2. 895
WASHER - First speed gear	4. 419	WASHER - Turn signal lamp switch wave ...	2. 895
WASHER - Flat	8. 929	WASHER - Wheel brake cylinder fixing screw	
WASHER - Front crossmember	6. 008	lock	4. 665
WASHER - Front door ventilator friction unit ..	10. 669	WASHER - Wiper motor	10. 150
WASHER - Fuel pump filter cover	3. 906	WEATHERSHIELD	9. 684
WASHER - Fuel pump oil seal	3. 902	WEATHERSTRIP - Deck lid	12. 269
WASHER - Fuel pump rocker arm	3. 921	WEATHERSTRIP - Door dust	10. 694
WASHER - Gearshift control lever	4. 006	WEATHERSTRIP - Front door ventilator	10. 652
WASHER - Gearshift control rod	4. 019	WEATHERSTRIP - Rear door fixed glass	10. 822
WASHER - Gearshift control support	4. 018	WEATHERSTRIP - Rear quarter window frame	11. 015
WASHER - Gearshift lever pivot bolt	4. 022	WEDGE - Steering column adjusting	6. 760
WASHER - Gearshift lever pivot pin	4. 007	WEIGHT - Distributor	2. 388
WASHER - Gearshift 1st & reverse shift	4. 020	WEIGHT - Transmission governor	4. 256
WASHER - Gearshift 2nd & 3rd shift	4. 019	WHEEL - Road	5. 803
WASHER - Generator brush	2. 291	WHEEL - Steering	6. 513
WASHER - Gen. interference suppressor lock ..	2. 314	WICK - Distributor	2. 364
WASHER - Generator rotor lock	2. 280	WINDLACE - Door opening	15. 520
WASHER - Generator slip ring end plate	2. 297	WIRE - Front seat adjuster locking	11. 589
WASHER - Generator through bolt	2. 316	WIRE - Front seat cushion	11. 420
WASHER - Hand brake lever to secondary shoe	5. 158	WIRE - Hand brake warning lamp	4. 610
WASHER - Hood	8. 015	WIRE - Headlining listing	12. 955
WASHER - Instrument panel	9. 743	WIRE - Heater fan earth	9. 779
WASHER - Lock	8. 931	WIRE - Thermo switch	2. 555
WASHER - Main shaft bearing thrust	4. 398	WIRE & CABLE - Ventilator control	9. 787
WASHER - Manifold	3. 276	WIRE UNIT - Spark plug & distributor	2. 239
WASHER - Mounting to bracket	0. 027	WRENCH - Wheel nut	8. 821
WASHER - Pinion bearing spacer	5. 453		

HOLDEN "LJ" PARTS CATALOGUE

Y

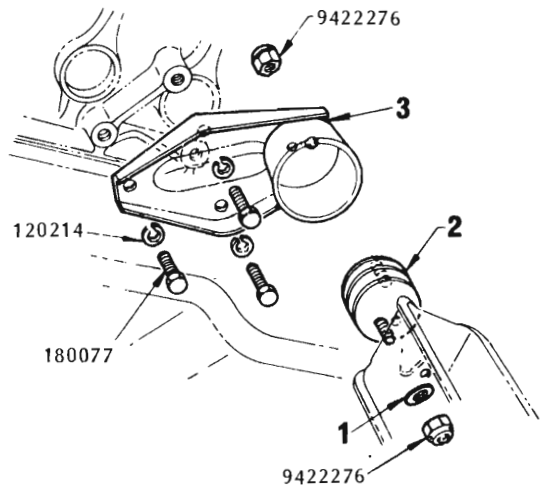
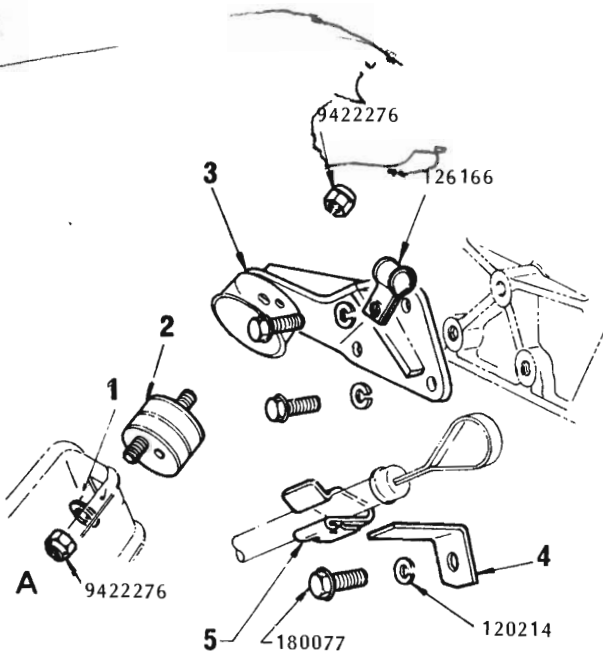
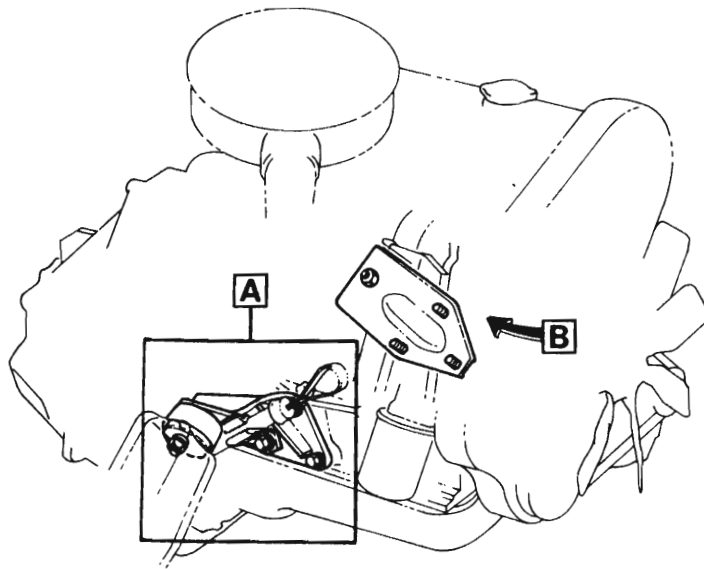
YOKE - Clutch over-centre spring	0.848
YOKE - Gearshift control bracket	4.019
YOKE - Steering gear rack support	6.525
YOKE - Transmission reverse shifter	4.304
YOKE - Transmission shifter first & second...	4.303
YOKE - Transmission shifter third & fourth...	4.303
YOKE - Universal joint	5.555

NOTES



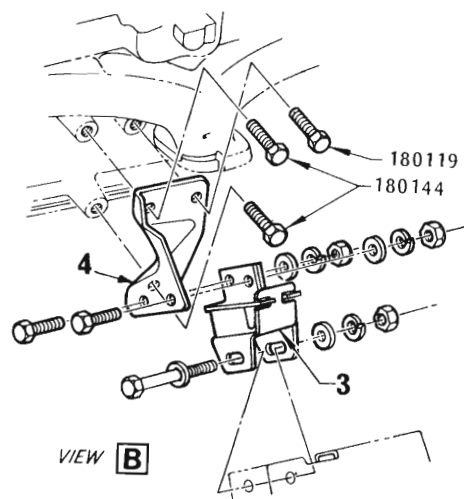
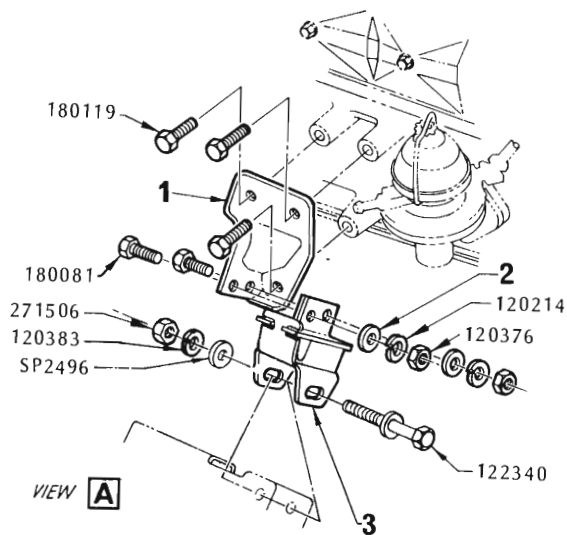
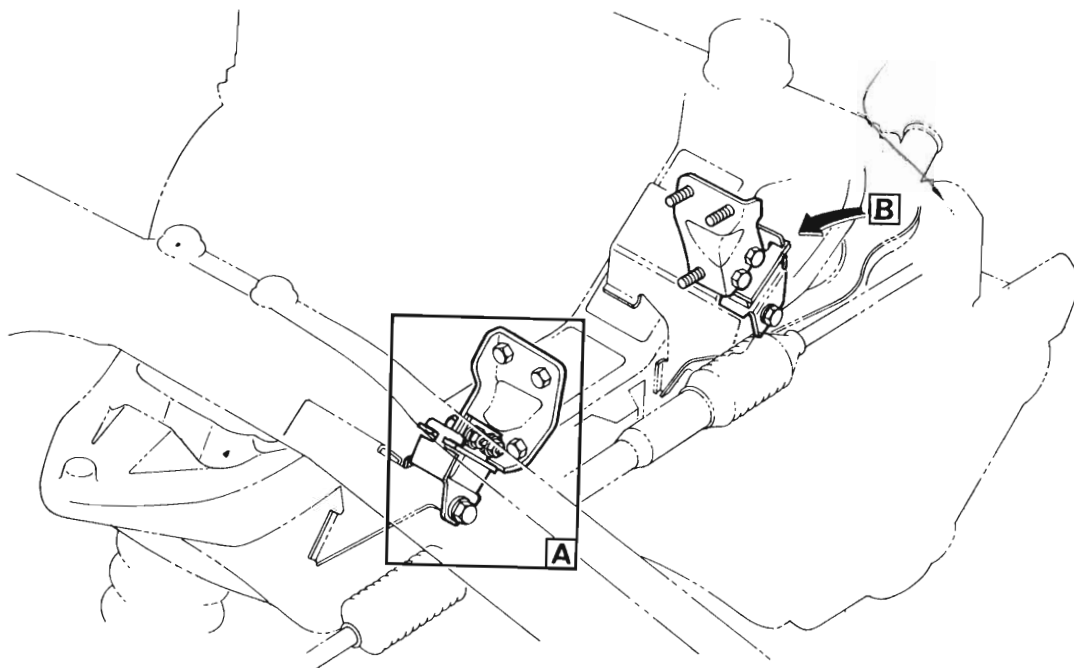
ENGINE MOUNTING — Front
1160, 1300, 70 ENGINE

ILLUS. REF. NO.	PART NAME	GROUP	ILLUS. REF. NO.	PART NAME	GROUP
1.	MOUNTING ASSEMBLY	0.027	3.	CLIP — Clutch cable to mounting	0.787
2.	CAP — Mounting restrictor	0.027	4.	BRACKET — Mounting	0.027



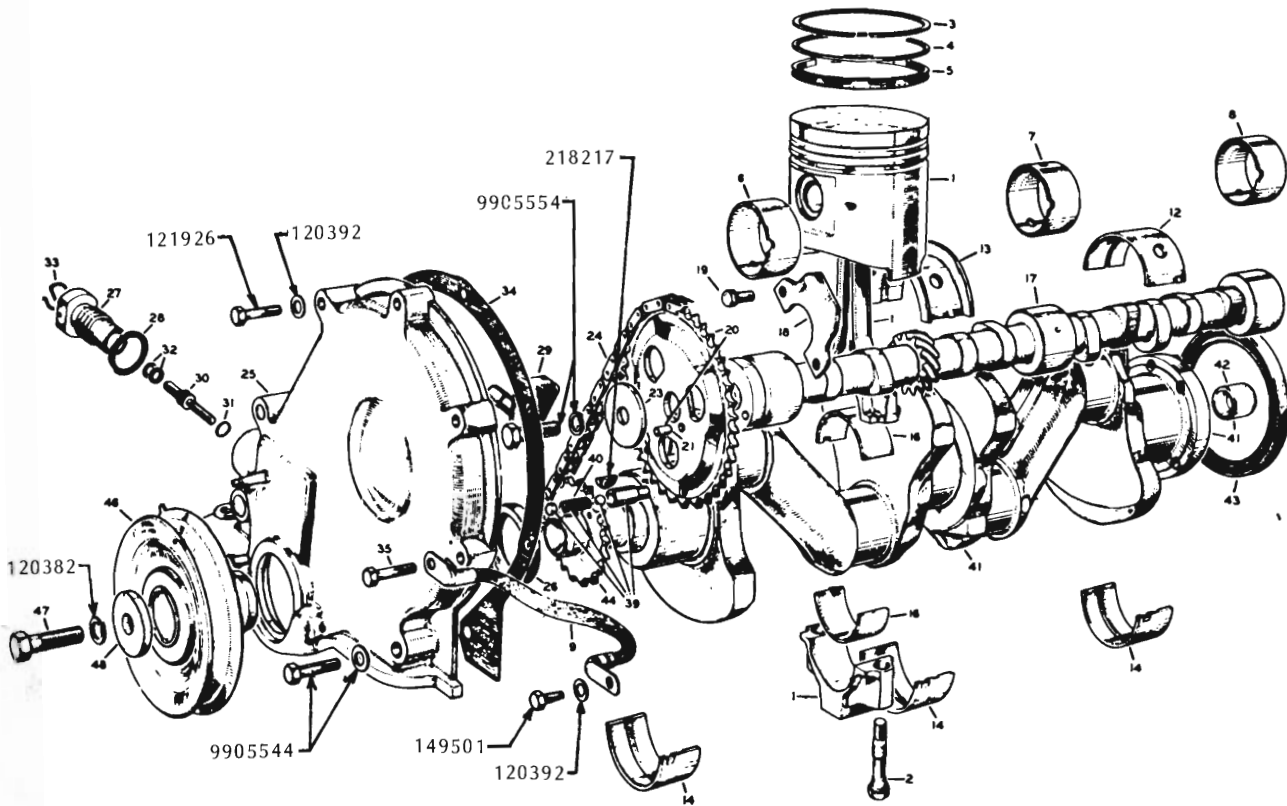
ENGINE MOUNTING – 1600, 1760 ENGINE

ILLUS. REF. NO.	PART NAME	GROUP	ILLUS. REF. NO.	PART NAME	GROUP
1.	WASHER – Mounting to support	0.027	4.	SUPPORT – Indicator tube	1.516
2.	MOUNTING ASSY. – Front	0.027	5.	CLIP – Indicator tube	1.516
3.	BRACKET ASSY. – Front mounting	0.027			



**ENGINE MOUNTING – FRONT
6 Cylinder Engine**

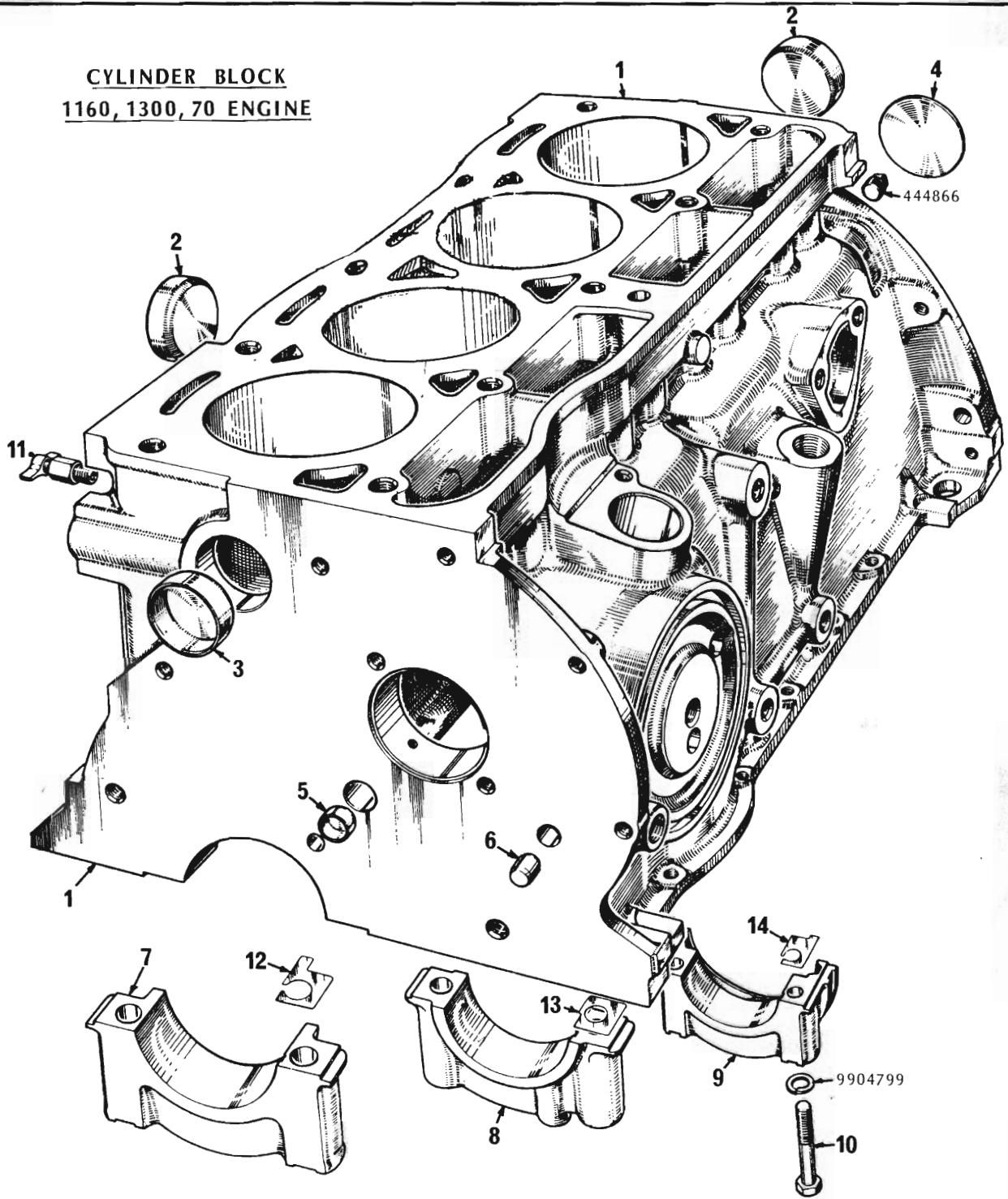
ILLUS. REF. NO.	PART NAME	GROUP	ILLUS. REF. NO.	PART NAME	GROUP
1.	BRACKET – Mounting RH	0.027	3.	MOUNTING ASSY.	0.027
2.	WASHER	0.027	4.	BRACKET – Mounting LH	0.027



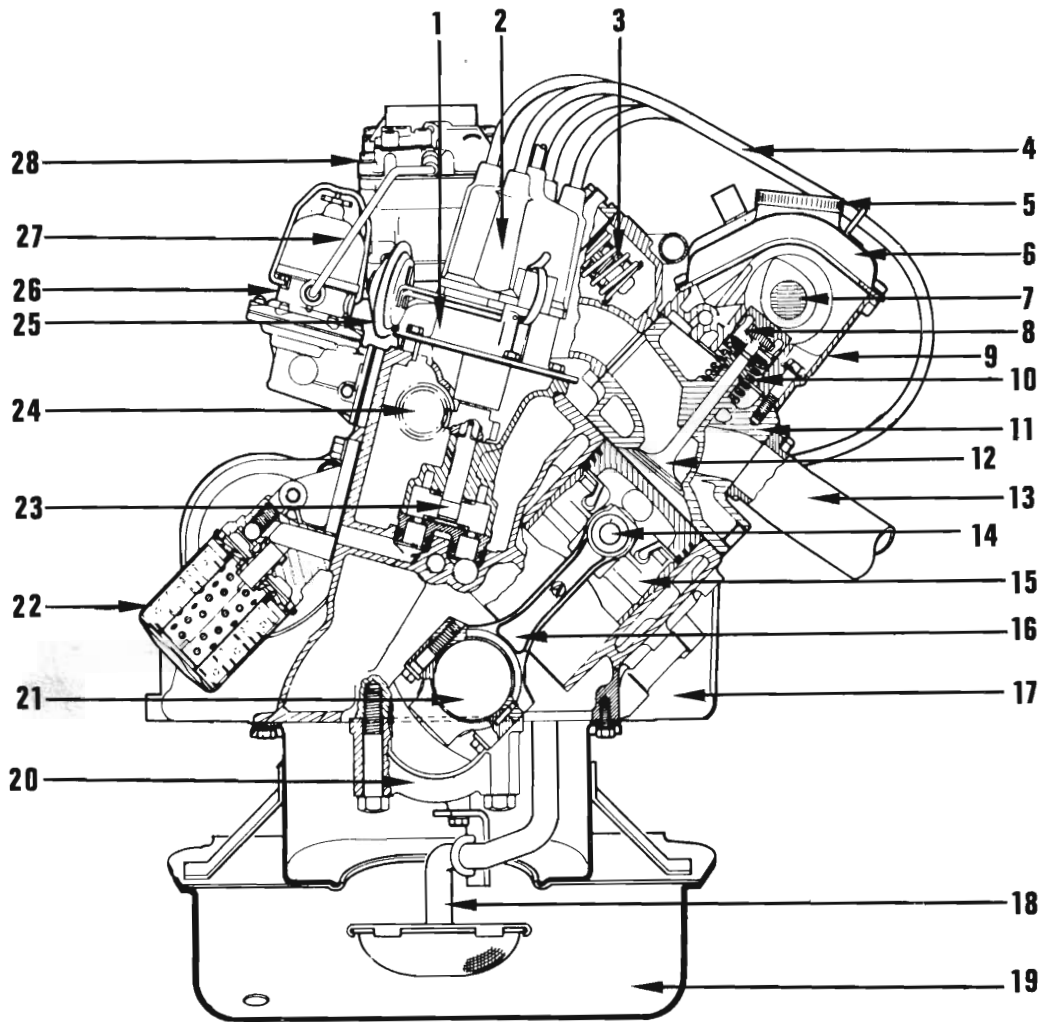
CRANKSHAFT, CAMSHAFT, TIMING
1160, 1300, 70 ENGINE

ILLUS. REF. NO.	PART NAME	GROUP	ILLUS. REF. NO.	PART NAME	GROUP
1.	PISTON & CONNECTING ROD ..	0.629	24.	CHAIN - Timing	0.724
2.	BOLT - Connecting rod	0.623	25.	COVER - Timing chain	0.206
3.	RING - Piston	0.643	26.	SEAL - Timing cover	0.209
4.	RING - Piston	0.643	27.	BODY - Chain tensioner	0.726
5.	RING - Piston	0.643	28.	GASKET - Tensioner body	0.726
6.	BEARING - Camshaft front	0.539	29.	PAD, - Tensioner	0.726
7.	BEARING - Camshaft centre	0.544	30.	SCREW - Adjusting	0.726
8.	BEARING - Camshaft rear	0.549	31.	RING	0.726
9.	CABLE	2.348	32.	RING	0.726
12.	BEARING - Rear upper	0.106	33.	SPRING - Lock	0.726
13.	BEARING - Centre upper	0.101	34.	GASKET	0.207
14.	BEARING - Front lower	0.096	39.	NOZZLE	0.748
	BEARING - Centre lower	0.101	40.	SPRING	0.748
	BEARING - Rear lower	0.106	41.	CRANKSHAFT	0.646
16.	BEARING - Connecting rod	0.616	42.	BEARING	0.649
17.	CAMSHAFT	0.519	43.	SEAL	0.137
18.	PLATE - Camshaft thrust	0.533	44.	GEAR - Crankshaft	0.728
19.	BOLT - Thrust plate	0.533	46.	PULLEY	0.659
20.	GEAR - Camshaft timing	0.736	47.	BOLT	0.659
21.	DOWEL	0.730	48.	WASHER - Pulley to crankshaft ..	0.659
23.	WASHER	0.736			

CYLINDER BLOCK
1160, 1300, 70 ENGINE

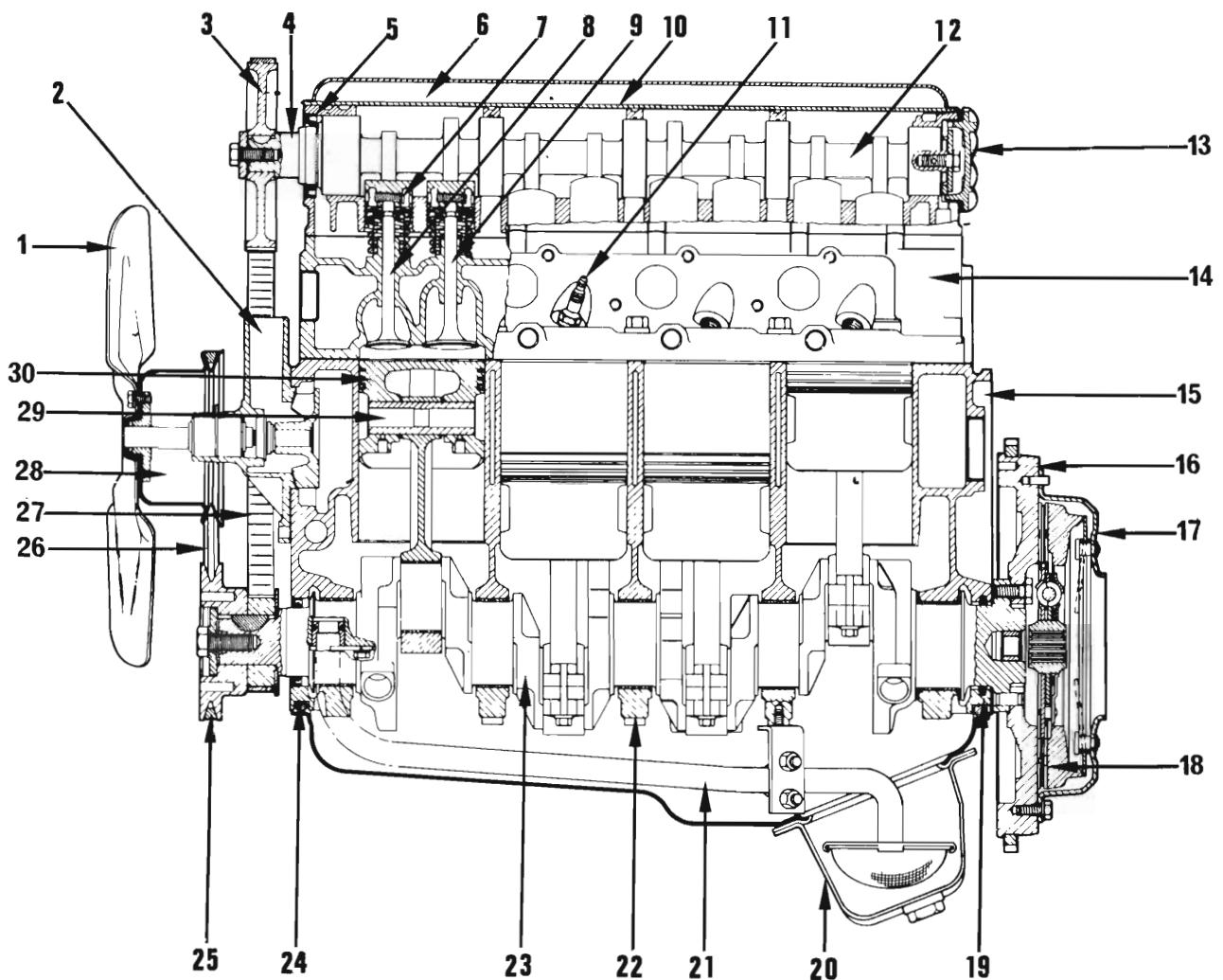


ILLUS. REF. NO.	PART NAME	GROUP	ILLUS. REF. NO.	PART NAME	GROUP
1.	BLOCK ASSY. - Cylinder	0.033	8.	CAP - Centre bearing	0.100
2.	PLUG - Cup - Cylinder block	0.033	9.	CAP - Rear bearing	0.105
3.	PLUG - Cup - Cylinder block	0.033	10.	BOLT - Bearing cap	0.056
4.	PLUG - Expansion - Camshaft rear	0.553	11.	COCK - Drain	0.033
5.	PLUG - Oil gallery, front	1.928	12.	SHIM - Front bearing cap	0.153
6.	PLUG - Oil hole	1.928	13.	SHIM - Centre bearing cap	0.153
7.	CAP - Front bearing	0.095	14.	SHIM - Rear bearing cap	0.153



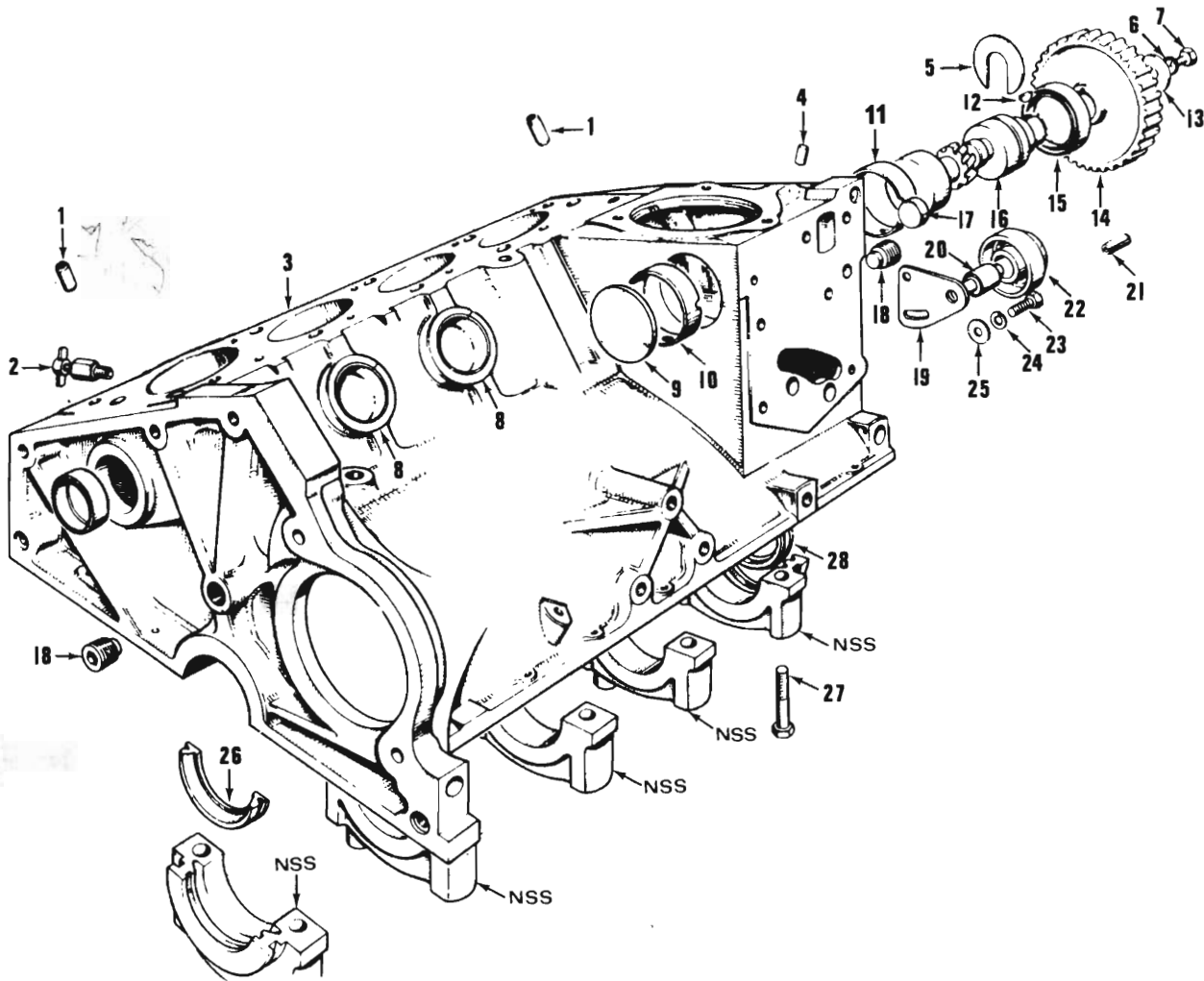
ENGINE ASSEMBLY-1600,1760 ENGINE

ILLUS. REF. NO.	PART NAME	GROUP	ILLUS. REF. NO.	PART NAME	GROUP
1.	DISTRIBUTOR ASSY.	2.361	15.	PISTON ASSY.	0.629
2.	CAP - Distributor	2.367	16.	ROD ASSY. - Connecting	0.603
3.	THERMOSTAT ASSY.	1.246	17.	BLOCK ASSY.	0.033
4.	WIRE UNIT - Spark plug	2.239	18.	PIPE & SCREEN ASSY.	1.656
5.	CAP ASSY. - Oil filler	1.516	19.	PAN ASSY. - Oil	1.426
6.	COVER ASSY. - Camshaft	0.386	20.	CAP - Crankshaft main bearing	N.S.S.
7.	CAMSHAFT	0.519	21.	CRANKSHAFT ASSY.	0.646
8.	TAPPET ASSY. - Valve	0.459	22.	FILTER ASSY. - Oil	1.835
9.	HOUSING ASSY.	0.386	23.	PUMP ASSY. - Oil	1.652
10.	SPRING - Valve	0.303	24.	PULLEY - Jockey	1.065
11.	HEAD - Cylinder	0.269	25.	VACUUM CONTROL ASSY. - Distributor ..	2.410
12.	VALVE - Inlet	0.296	26.	PUMP ASSY. - Fuel	3.900
13.	MANIFOLD ASSY. - Exhaust	3.601	27.	PIPE - Fuel pump to carburettor	3.201
14.	PIN - Piston	0.636	28.	CARBURETTOR ASSY.	3.725



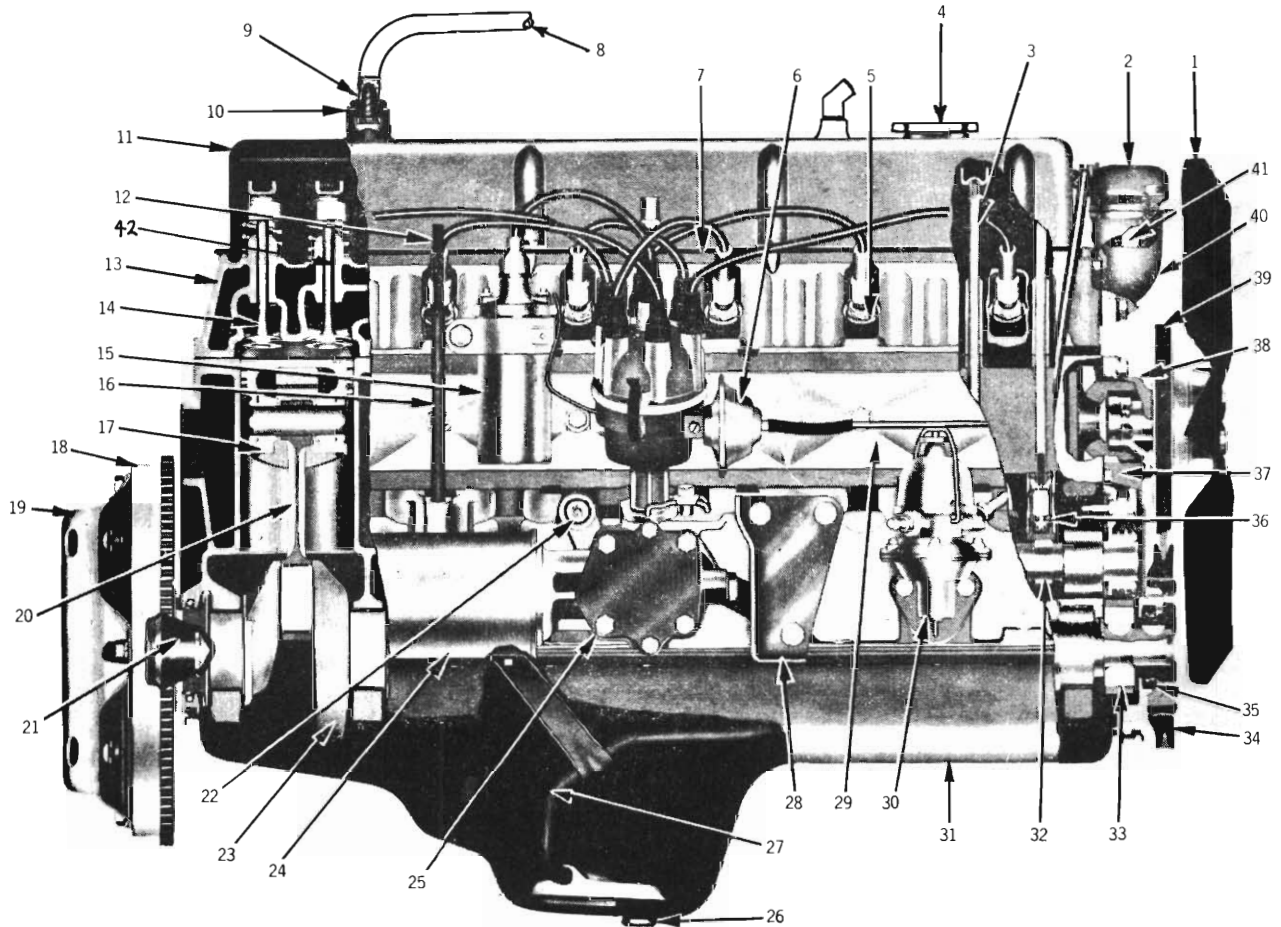
ENGINE ASSEMBLY - 1600, 1760 ENGINE

ILLUS. REF. NO.	PART NAME	GROUP	ILLUS. REF. NO.	PART NAME	GROUP
1.	BLADE ASSY. - Fan	1.064	16.	FLYWHEEL & RING GEAR ASSY.	0.666
2.	PUMP ASSY. - Water	1.069	17.	COVER & PRESSURE PLATE ASSY.	0.861
3.	PULLEY - Camshaft	0.736	18.	PLATE ASSY. - Clutch	0.886
4.	SHAFT ASSY. - Camshaft auxiliary	0.519	19.	SEAL - Crankshaft rear	0.137
5.	SEAL - Auxiliary shaft	0.539	20.	PAN ASSY. - Oil	1.426
6.	COVER ASSY. - Camshaft	0.386	21.	PIPE & SCREEN ASSY.	1.656
7.	TAPPET ASSY. - Valve	0.459	22.	CAP - Crankshaft main bearing	N.S.S.
8.	VALVE - Exhaust	0.297	23.	CRANKSHAFT ASSY.	0.646
9.	VALVE - Inlet	0.296	24.	SEAL - Crankshaft front	0.137
10.	HOUSING ASSY. - Camshaft	0.386	25.	PULLEY - Crankshaft	0.659
11.	PLUG ASSY. - Spark	2.270	26.	BELT - Fan and generator	1.066
12.	CAMSHAFT	0.519	27.	BELT - Camshaft	0.724
13.	COVER - Camshaft housing rear	0.386	28.	PULLEY - Water pump and fan	1.062
14.	HEAD ASSY. - Cylinder	0.269	29.	PIN - Piston	0.636
15.	BLOCK ASSY.	0.033	30.	PISTON ASSY.	0.629



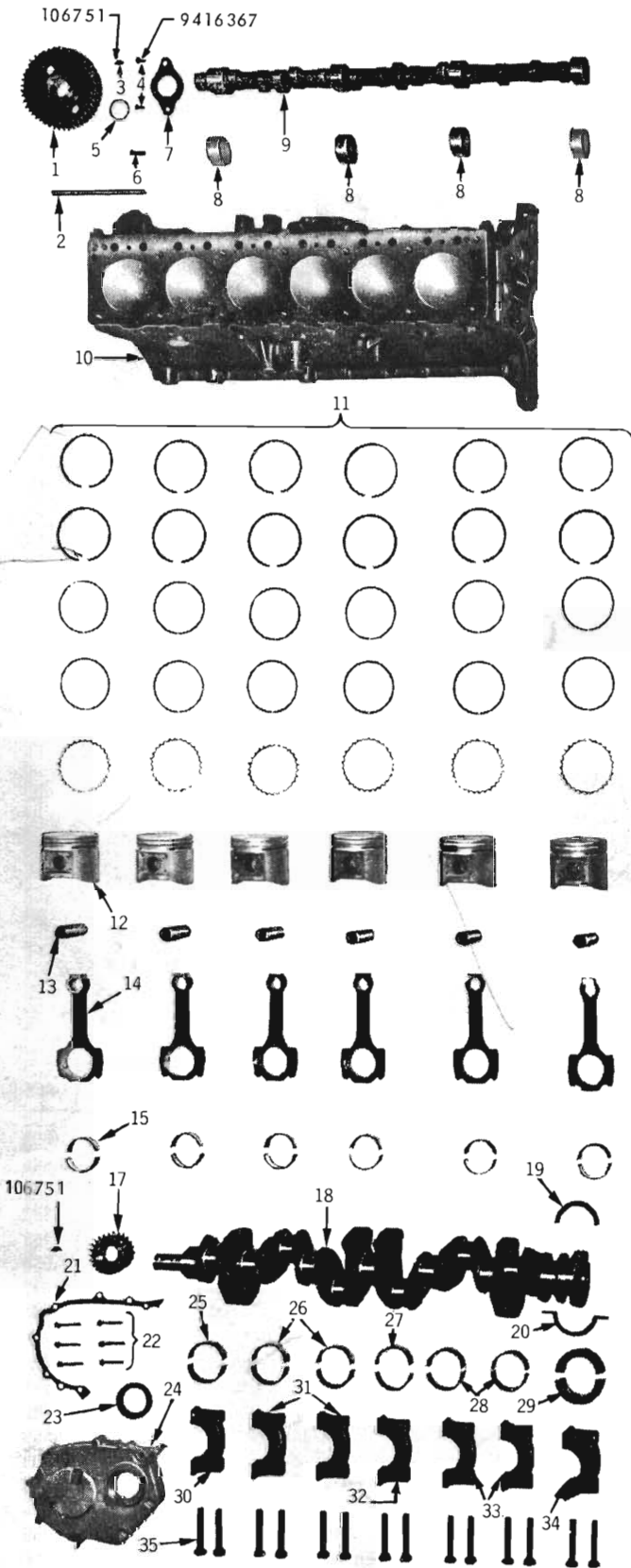
CYLINDER BLOCK - 1600, 1760 ENGINE

ILLUS. REF. NO.	PART NAME	GROUP	ILLUS. REF. NO.	PART NAME	GROUP
1.	PIN - Spring 1/2" x 1/4"	0.033/8.941	15.	SEAL - Auxiliary shaft front	0.539
2.	COCK ASSY. - Drain	0.033/8.951	16.	SHAFT - Auxiliary	0.519
3.	CYLINDER BLOCK	0.033	17.	COVER - Cup plug	0.033
4.	PLUG - 5/16"	0.033	18.	PLUG - Pipe	8.971
5.	WASHER - Thrust	0.736	19.	BRACKET - Jockey pulley	N.S.S.
6.	WASHER - Shakeproof 3/8" int. tooth	8.932	20.	BEARING - Jockey pulley	1.065
7.	BOLT - Hex. hd. 3/8" - 24 x 3/4"	8.900	21.	PIN - Slotted spring 1/8" x 3/8"	0.736/8.941
8.	PLUG - Cup 1.61/64"	0.033	22.	PULLEY - Jockey	1.065
9.	PLUG - Expansion 2"	0.533	23.	BOLT - Hex. hd. 5/16" - 18 x 3/4"	8.900
10.	BEARING - Auxiliary shaft rear	0.549	24.	WASHER - Lock 5/16"	8.931
11.	BEARING - Auxiliary shaft front	0.539	25.	WASHER - Flat 5/16" large	8.929
12.	KEY - 3/16" x 5/8"	8.960	26.	SEAL - Crankshaft rear	0.137
13.	WASHER - Special	0.736	27.	BOLT - Bearing cap	0.056
14.	PULLEY - Grooved, camshaft	0.736	28.	SEAL - Crankshaft front	0.137



ENGINE ASSEMBLY – 6 CYLINDER

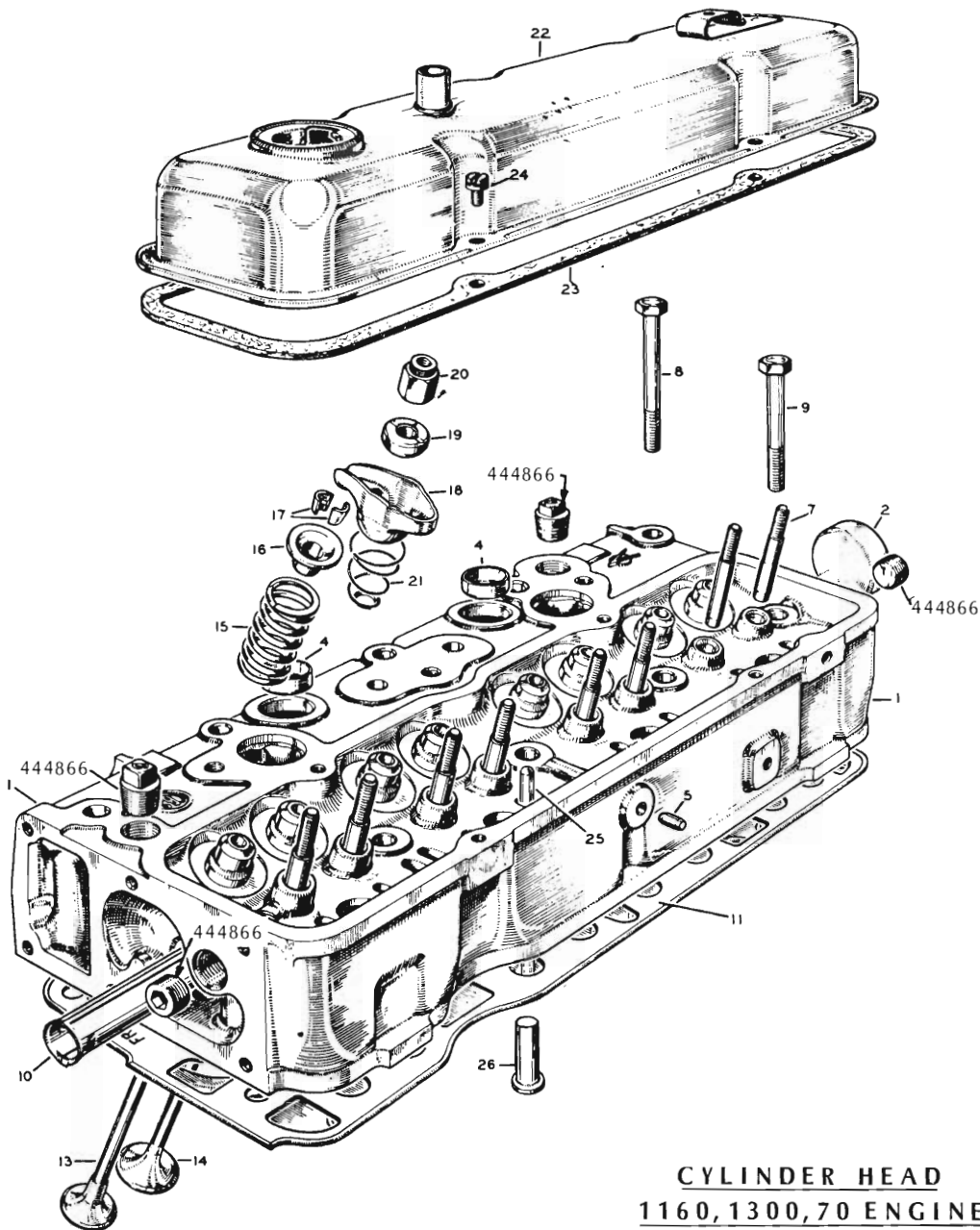
ILLUS. REF. NO.	PART NAME	GROUP	ILLUS. REF. NO.	PART NAME	GROUP
1.	BLADE ASSEMBLY – Fan	1.064	22.	SWITCH ASSEMBLY – Oil pressure	1.803
2.	OUTLET – Cylinder head water	1.153	23.	CRANKSHAFT	0.646
3.	ROD – Valve push	0.426	24.	FILTER ASSEMBLY – Oil	1.835
4.	CAP ASSEMBLY – Oil filler	1.516	25.	PUMP ASSEMBLY – Oil	1.652
5.	PLUG ASSEMBLY – Spark	2.270	26.	PLUG & GASKET ASSEMBLY – Oil pan	1.453
6.	VACUUM CONTROL ASSEMBLY – Distributor	2.410	27.	SCREEN ASSEMBLY – Oil pump	1.656
7.	GASKET – Valve rocker cover	0.423	28.	BRACKET ASSEMBLY – Front mounting	0.027
8.	HOSE – Breather	1.762	29.	COVER ASSEMBLY – Valve push rod	0.439
9.	VALVE ASSEMBLY – Ventilator	1.762	30.	PUMP ASSEMBLY – Fuel	3.900
10.	GROMMET – Valve cover to block vent	1.745	31.	PAN ASSEMBLY – Oil	1.426
11.	COVER – Valve rocker	0.386	32.	CAMSHAFT ASSEMBLY	0.519
12.	INDICATOR ASSEMBLY – Oil level	1.516	33.	GEAR – Crankshaft	0.728
13.	HEAD – Cylinder	0.269	34.	DAMPER ASSEMBLY – Crankshaft	0.659
14.	VALVE – Exhaust	0.297	35.	SEAL – Crankcase cover oil	0.209
15.	COIL ASSEMBLY – Ignition	2.170	36.	LIFTER ASSEMBLY – Hydraulic valve	0.459
16.	TUBE – Oil level indicator	1.516	37.	COVER ASSEMBLY – Crankcase	0.206
17.	PISTON & PIN ASSEMBLY	0.629	38.	PUMP ASSEMBLY – Water	1.069
18.	FLYWHEEL ASSEMBLY	0.666	39.	BELT – Fan and generator	1.066
19.	COVER & PRESSURE PLATE ASSEMBLY	0.861	40.	HOUSING – Thermostat	1.251
20.	ROD ASSEMBLY – Connecting	0.603	41.	THERMOSTAT ASSEMBLY	1.246
21.	BEARING ASSEMBLY – Clutch pilot	0.649	42.	VALVE – Inlet	0.296



ILLUS. REF. NO.	PART NAME	GROUP
1.	GEAR – Camshaft	0.736
2.	TUBE – Oil level indicator	1.516
5.	RING – Camshaft gear spacing	0.738
6.	NOZZLE – Timing gear oil	0.748
7.	BEARING – Camshaft thrust	0.533
8.	BEARING SET – Camshaft	0.536
9.	CAMSHAFT	0.519
10.	BLOCK ASSEMBLY	0.033
11.	RING SET – Piston	0.643
12.	PISTON & PIN ASSEMBLY	0.629
13.	PIN – Piston	0.636
14.	ROD ASSEMBLY – Connecting	0.603
15.	BEARING – Connecting rod	0.616
17.	GEAR – Crankshaft	0.728
18.	CRANKSHAFT	0.646
19.	SEAL – Upper	0.137.
20.	SEAL – Lower	0.137
21.	GASKET – Front end cover	0.207
22.	BOLT – Front end cover	0.206
23.	SEAL – Front end cover	0.209
24.	COVER – Front end	0.206
25.	BEARING – Front	0.096
26.	BEARING – Front intermediate	0.099
27.	BEARING – Centre	0.101
28.	BEARING – Rear intermediate	0.103
29.	BEARING – Rear	0.106
30.	CAP – Front bearing	0.095
31.	CAP – Front intermediate bearing	0.098
32.	CAP – Centre bearing	0.100
33.	CAP – Rear intermediate bearing	0.102
34.	CAP – Rear bearing	0.105
35.	BOLT – Bearing cap	0.056

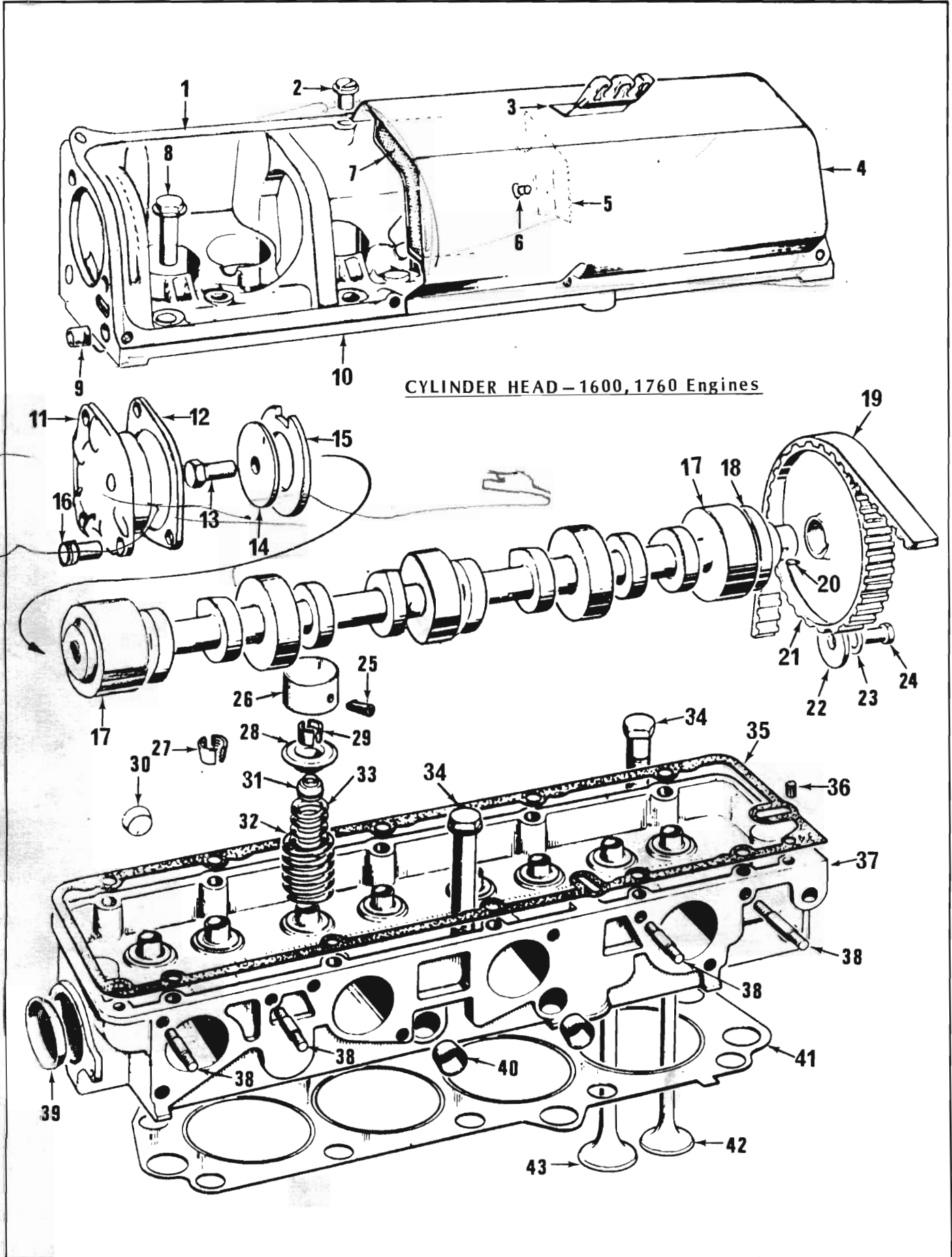
CYLINDER BLOCK – 6 CYL.

Note: The items illustrated constitute a Short Motor.



CYLINDER HEAD
1160, 1300, 70 ENGINE

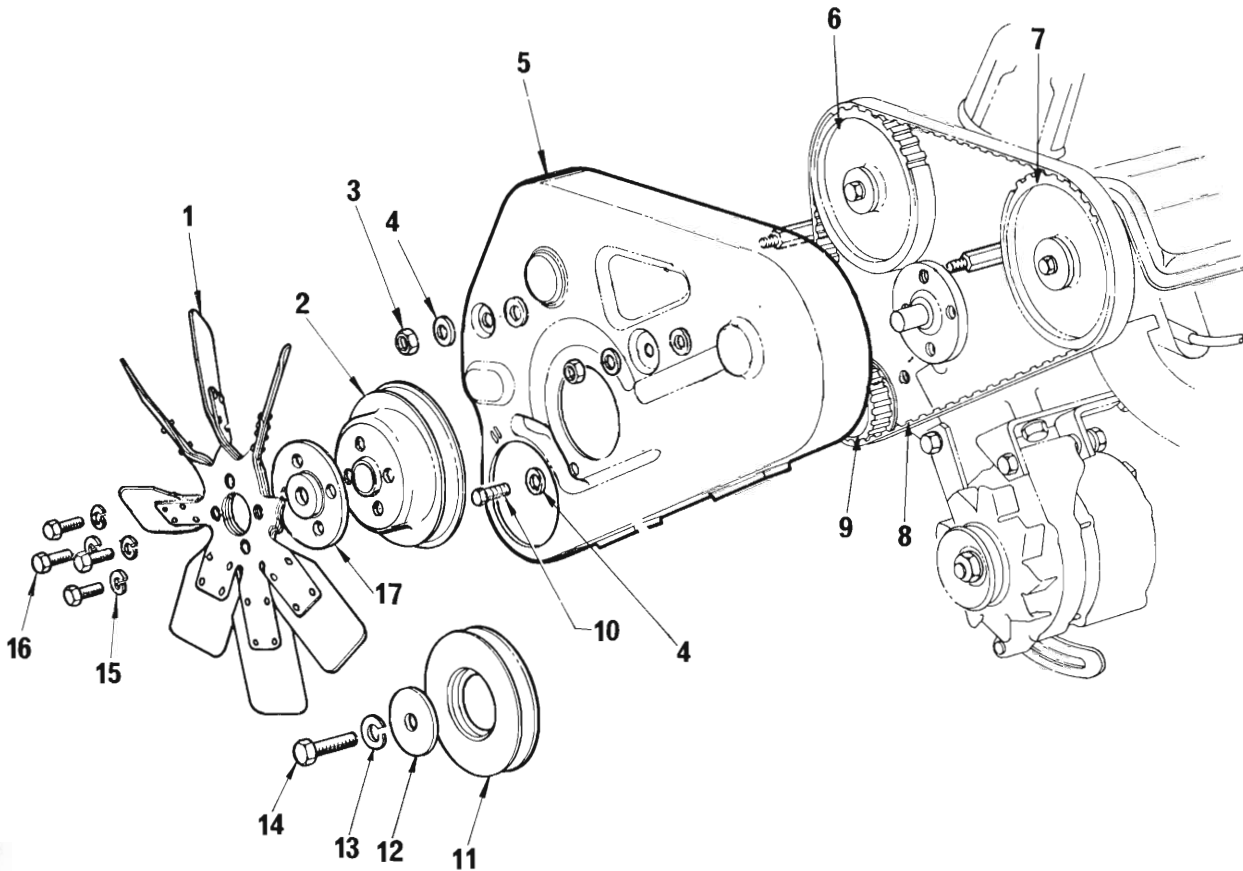
ILLUS. REF. NO.	PART NAME	GROUP	ILLUS. REF. NO.	PART NAME	GROUP
1.	HEAD - Cylinder	0.269	15.	SPRING - Valve	0.303
2.	PLUG - Rear	0.269	16.	CAP - Spring	0.309
4.	PLUG - Top	0.269	17.	COLLAR - Valve	0.310
5.	PLUG - Oil hole	1.928	18.	ARM	0.333
7.	STUD - Rocker	0.429	19.	BALL	0.429
8.	BOLT	0.293	20.	NUT	0.429
9.	BOLT	0.293	21.	SPRING	0.378
10.	TUBE - Water distributor	0.270	22.	COVER	0.386
11.	GASKET	0.289	23.	GASKET	0.423
13.	VALVE - Exhaust	0.297	24.	SCREW	0.386
14.	VALVE - Inlet	0.296	25.	ROD - Push	0.426
			26.	TAPPET	0.459



CYLINDER HEAD - 1600, 1760, ENGINE

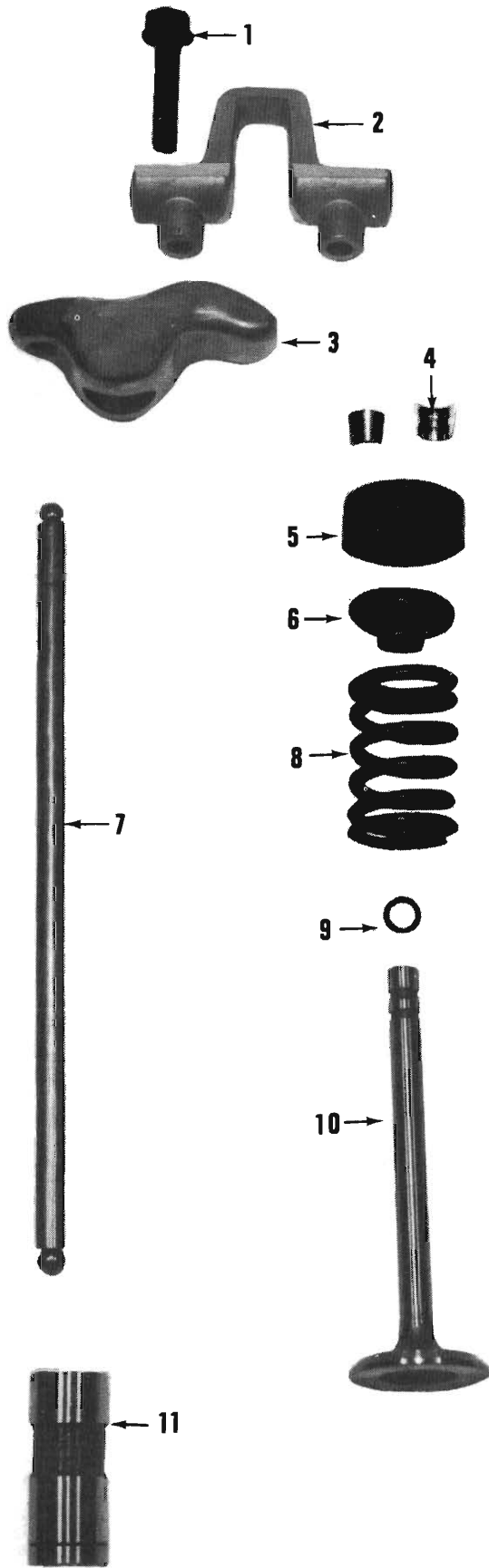
ILLUSTRATION OPPOSITE

ILLUS. REF. NO.	PART NAME	GROUP
1.	GASKET - Camshaft cover to housing	0.423
2.	STUD - Camshaft cover to housing	0.386
3.	BRACKET - Spark plug cable	0.386
4.	COVER ASSY. - Camshaft	0.386
5.	RETAINER - Baffle	0.386
6.	RIVET - Retainer & bracket fixing	0.386
7.	ELEMENT - Breather	0.386
8.	BOLT - Housing to cylinder head	0.386
9.	PLUG - Hex. socket 1 1/8" - 18	0.386/8.971
10.	HOUSING ASSY. - Camshaft	0.386
11.	COVER - Rear, camshaft housing	0.386
12.	GASKET - Rear cover	0.423
13.	BOLT - Hex.hd. 3/8" - 24 x 7/8"	0.533/8.900
14.	WASHER - Camshaft retaining	0.533
15.	WASHER - Camshaft thrust	0.533
16.	STUD - Rear cover to housing 5/16" x 1.1/8"	0.386/8.900
17.	CAMSHAFT	0.519
18.	SEAL - Camshaft front	0.539
19.	BELT - Camshaft, toothed	0.727
20.	KEY - Woodruff 3/16" x 5/8"	8.960
21.	PULLEY - Camshaft (grooved)	0.736
22.	WASHER - Special	0.736
23.	WASHER - Lock 3/8" internal tooth	8.931
24.	BOLT - Hex.hd. 3/8" - 24 x 3/4"	8.900
25.	SCREW - Tappet adjusting	0.429
26.	TAPPET - Valve	0.459
27.	KEY - Valve stem	0.310
28.	CAP - Valve spring	0.309
29.	COLLAR - Valve stem	0.310
30.	PLUG - Cup, 5/8"	0.269
31.	COLLAR - Valve	0.310
32.	SPRING - Valve outer	0.303
33.	SPRING - Valve inner	0.303
34.	BOLT - Cylinder head	0.293
35.	GASKET - Housing to cylinder head	0.423
36.	DOWEL - 5/16" knurled	0.269
37.	HEAD ASSY. - Cylinder	0.269
38.	STUD - Manifold	3.275
39.	PLUG - Cup - 1.1/2"	0.269
40.	PLUG - Cup - 3/4"	0.269
41.	GASKET - Cylinder head	0.289
42.	VALVE - Exhaust	0.297
43.	VALVE - Inlet	0.296



FAN BLADE, FRONT END COVER & PULLEYS
1600, 1760 ENGINE

ILLUS. REF. NO.	PART NAME	GROUP	ILLUS. REF. NO.	PART NAME	GROUP
1.	BLADE ASSY. - Fan	1.064	10.	BOLT - Hex. hd. 5/16" - 18 x 5/8"	8.900
2.	PULLEY - Water pump & fan	1.062	11.	PULLEY - Fan & generator drive	0.659
3.	NUT - Hex. 5/16" - 24 light (cad or zinc)	8.915	12.	WASHER - Fan & generator drive pulley..	0.659
4.	WASHER - Flat, 11/32" x 11/16" x .065" (cad or zinc)	8.929	13.	WASHER - Lock, 1/2" internal tooth	8.932
5.	COVER ASSY. - Crankcase front end	0.206	14.	BOLT - Hex. hd. 1/2" - 20 x 1.1/4"	8.900
6.	PULLEY ASSY. - Auxiliary shaft	0.736	15.	WASHER - Lock, 1/4" medium (cad or zinc)	8.931
7.	PULLEY - Camshaft	0.736	16.	BOLT - Hex. hd. 1/4" - 20 x 1/2" (cad or zinc)	8.900
8.	BELT - Camshaft timing	0.724	17.	SPACER - Fan	1.064
9.	PULLEY - Camshaft & aux. shaft drive....	0.659			

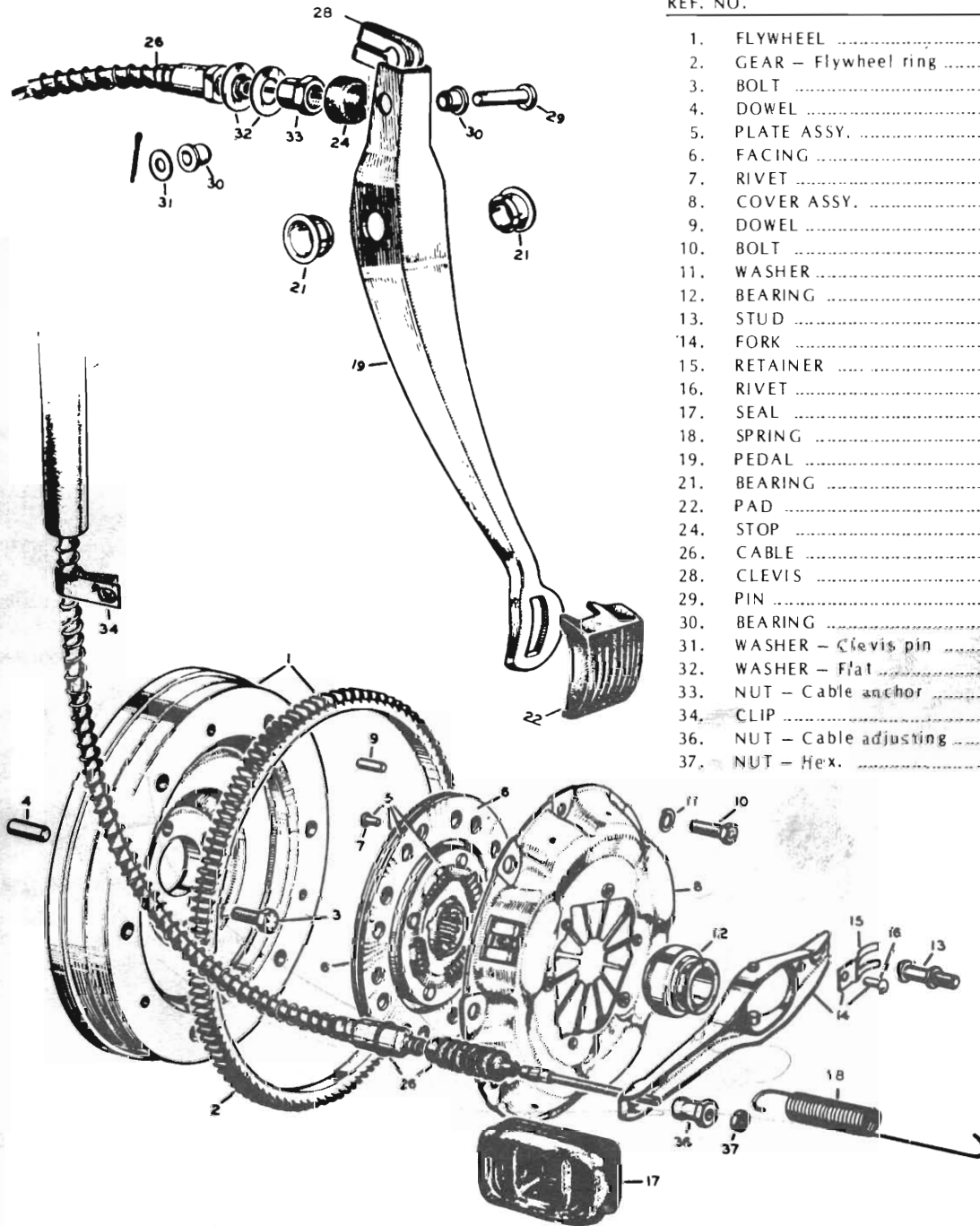


VALVE OPERATING MECHANISM
6 Cylinder Engine

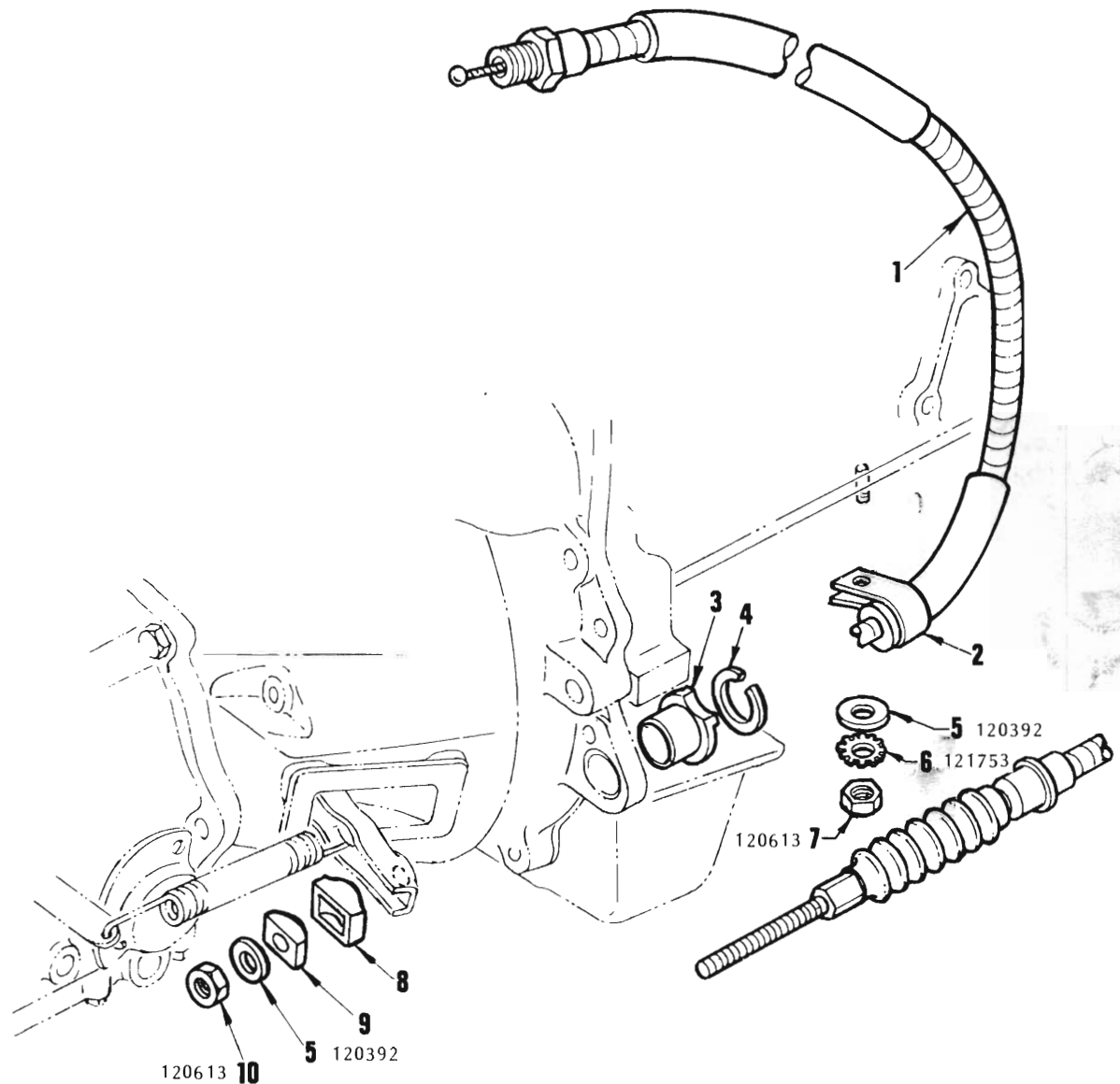
ILLUS. REF. NO.	PART NAME	GROUP
1.	BOLT - Pivot	0.429
2.	PIVOT - Valve rocker arm	0.429
3.	ARM - Valve rocker	0.333
4.	KEY - Valve stem	0.310
5.	SHIELD - Valve stem	0.308
6.	CAP - Valve spring	0.309
7.	ROD - Valve push	0.426
8.	SPRING - Valve	0.303
9.	SEAL - Valve stem	0.308
10.	VALVE	0.296/0.297
11.	LIFTER ASSY. - Hydraulic valve	0.459

FLYWHEEL, CLUTCH & CONTROL

1160, 70 ENGINE

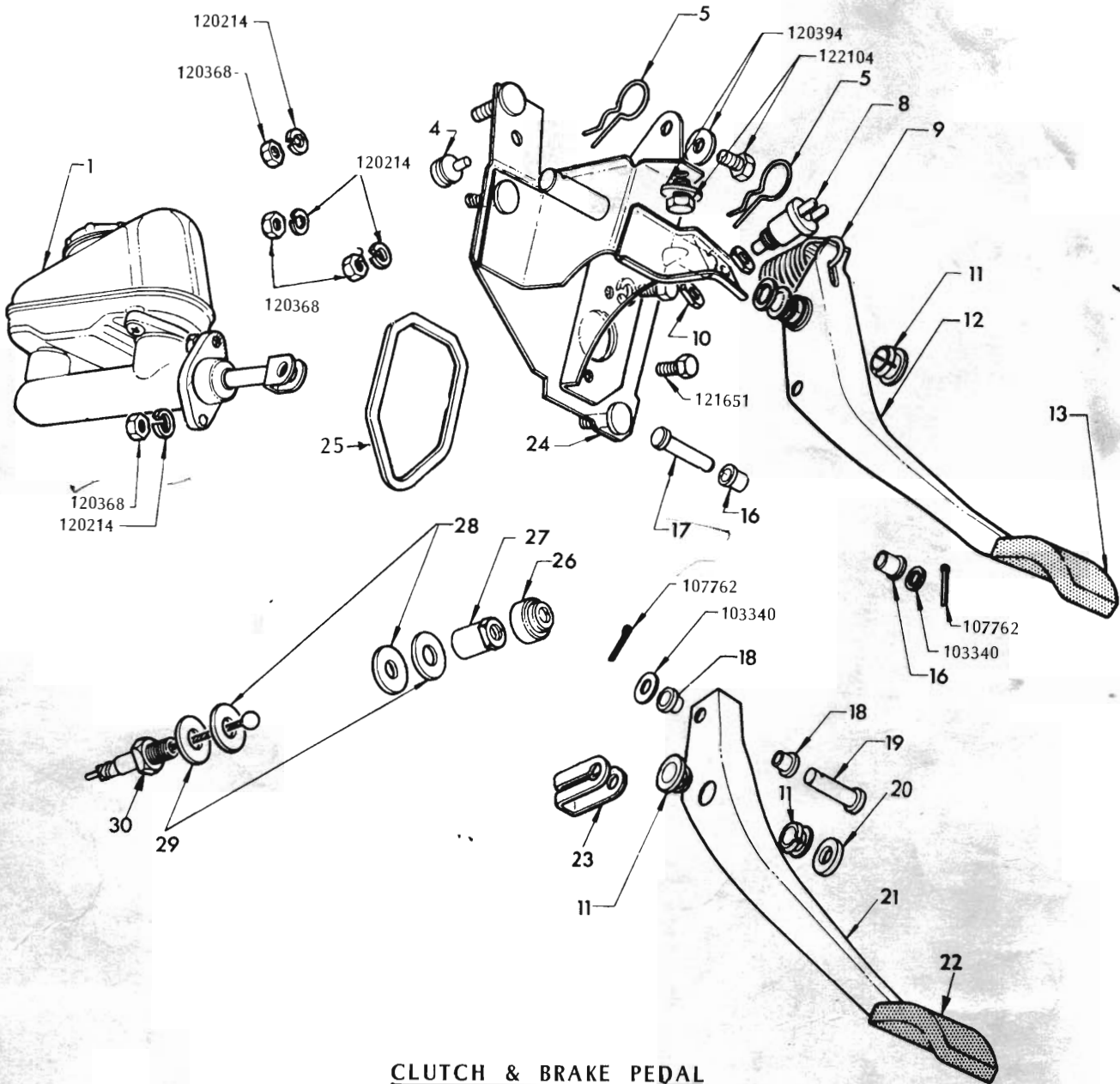


ILLUS. REF. NO.	PART NAME	GROUP
1.	FLYWHEEL	0.666
2.	GEAR - Flywheel ring	0.673
3.	BOLT	0.669
4.	DOWEL	0.669
5.	PLATE ASSY.	0.886
6.	FACING	0.885
7.	RIVET	0.884
8.	COVER ASSY.	0.861
9.	DOWEL	8.939
10.	BOLT	0.870
11.	WASHER	8.931
12.	BEARING	0.799
13.	STUD	0.796
14.	FORK	0.795
15.	RETAINER	0.796
16.	RIVET	8.967
17.	SEAL	0.797
18.	SPRING	0.844
19.	PEDAL	0.830
21.	BEARING	0.831
22.	PAD	0.830
24.	STOP	0.829
26.	CABLE	0.787
28.	CLEVIS	0.787
29.	PIN	0.787
30.	BEARING	0.787
31.	WASHER - Clevis pin	0.787
32.	WASHER - Flat	0.787
33.	NUT - Cable anchor	0.787
34.	CLIP	0.787
36.	NUT - Cable adjusting	0.787
37.	NUT - Hex.	0.787



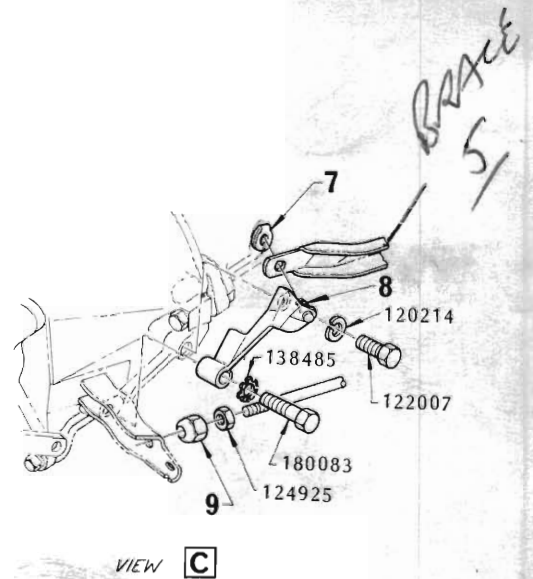
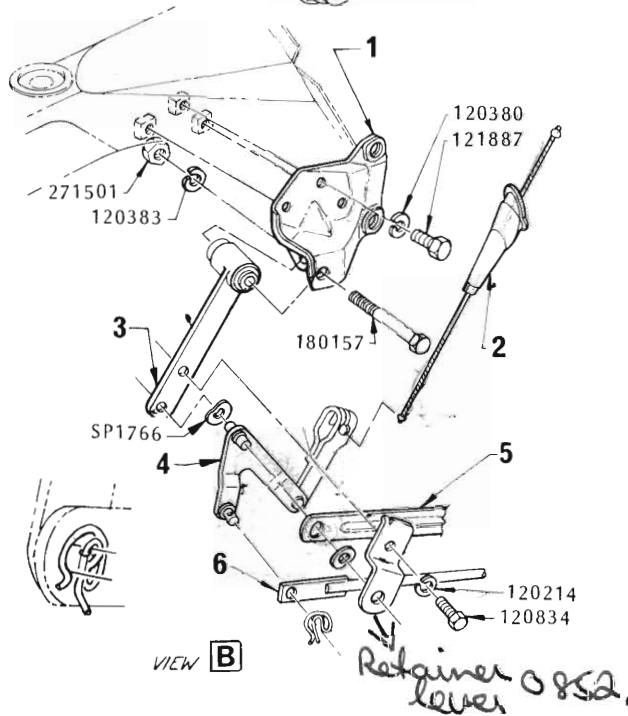
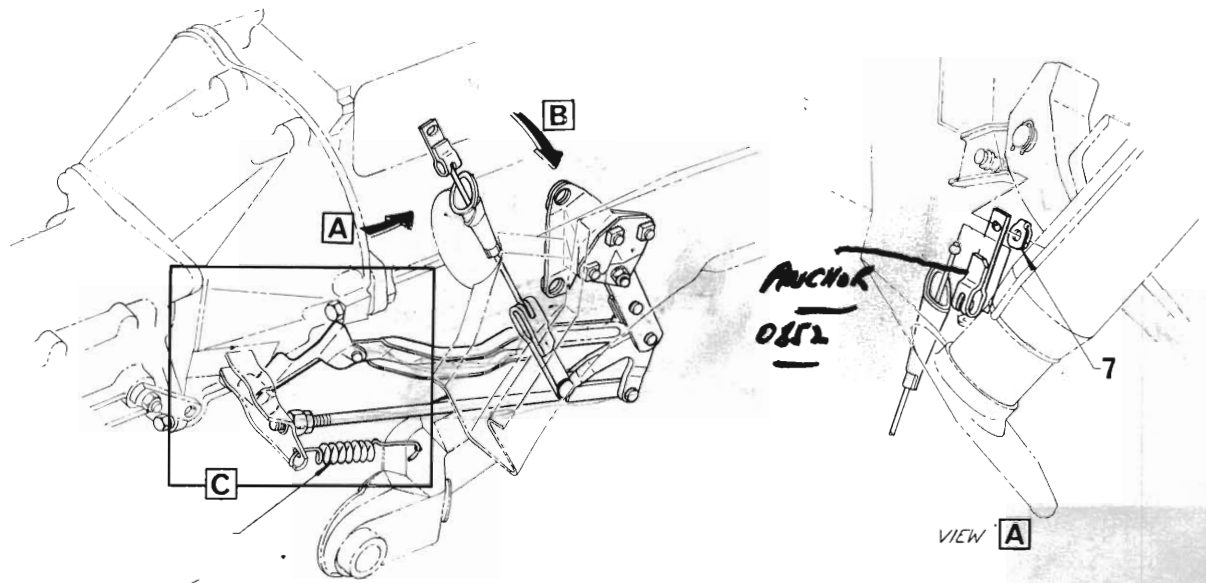
CLUTCH CONTROL – 1600, 1760 ENGINE

ILLUS. REF. NO.	PART NAME	GROUP	ILLUS. REF. NO.	PART NAME	GROUP
1.	CABLE ASSY.	0.787	6.	WASHER – Shakeproof 1/4" ext. tooth	8.932
2.	CLIP – Cable to oil pan	0.787	7.	NUT – 1/4" – 28	8.915
3.	INSULATOR – Clutch cable	0.787	8.	PAD – Insulator (rubber)	0.787
4.	WASHER – Insulator	0.787	9.	PAD – Pressure (nylon)	0.787
5.	WASHER – Flat 9/32" x 5/8" x .065"	8.929	10.	NUT – Hex. jam 1/4" – 28	8.916



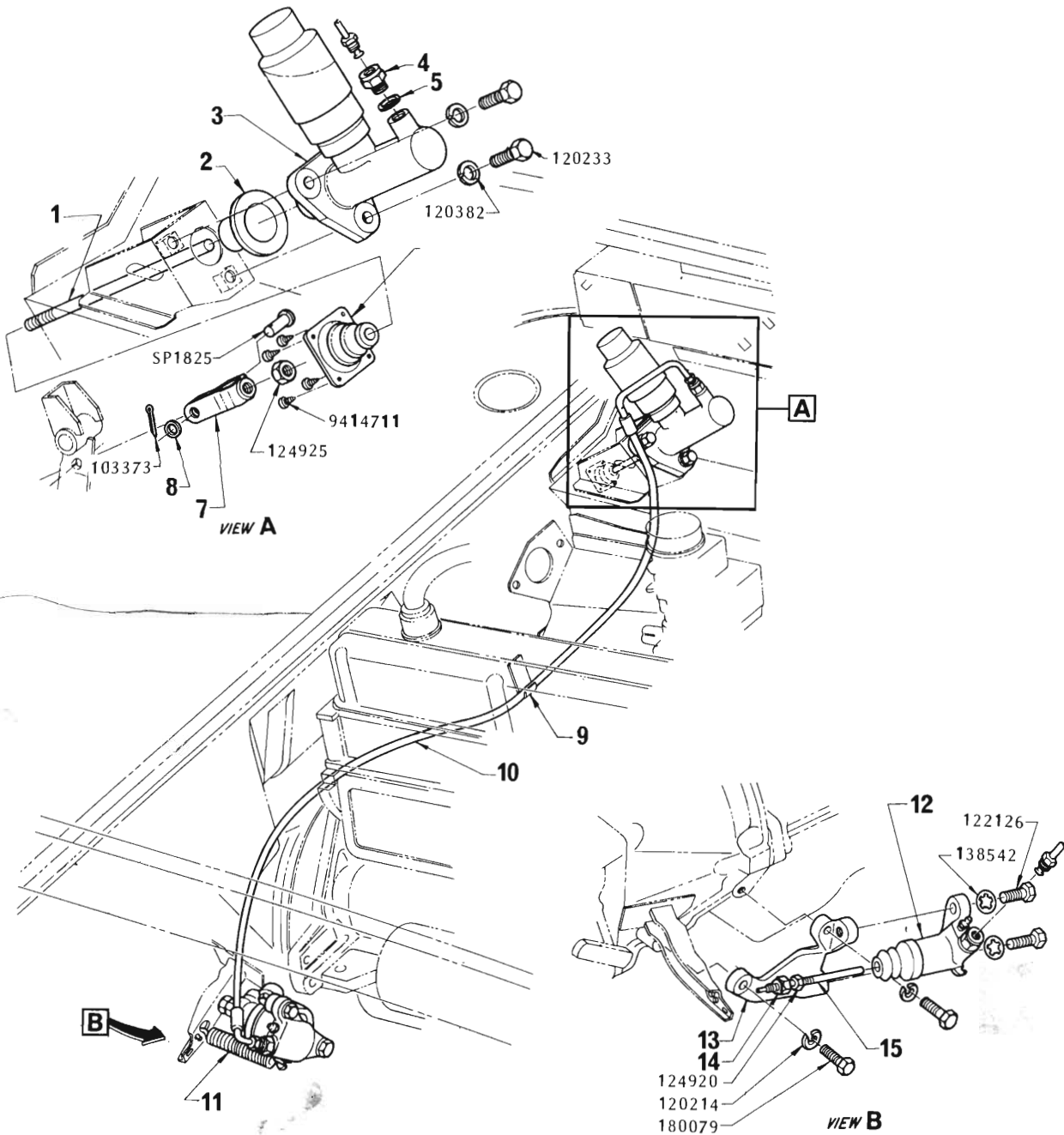
**CLUTCH & BRAKE PEDAL
4 Cylinder Engine**

ILLUS. REF. NO.	PART NAME	GROUP	ILLUS. REF. NO.	PART NAME	GROUP
1.	CYLINDER ASSEMBLY	4.650	19.	PIN - Clevis	0.787
4.	PLUG	12.803	20.	SPACER	0.833
5.	PIN	0.837/4.636	21.	PEDAL ASSEMBLY	0.830
8.	SWITCH	2.447	22.	PAD	0.830
9.	SPRING	4.639	23.	CLEVIS	0.787
10.	NUT	2.447	24.	BRACKET ASSEMBLY	0.833
11.	BUSHING	0.831/4.626	25.	GASKET	0.833
12.	PEDAL	4.625	26.	STOP	0.829
13.	PAD	4.625	27.	NUT - Cable anchor	0.787
16.	BEARING	4.662	28.	WASHER - Insulating	0.787
17.	PIN - Clevis	4.662	29.	WASHER - Flat	0.787
18.	BEARING	0.787	30.	CABLE ASSEMBLY	0.787



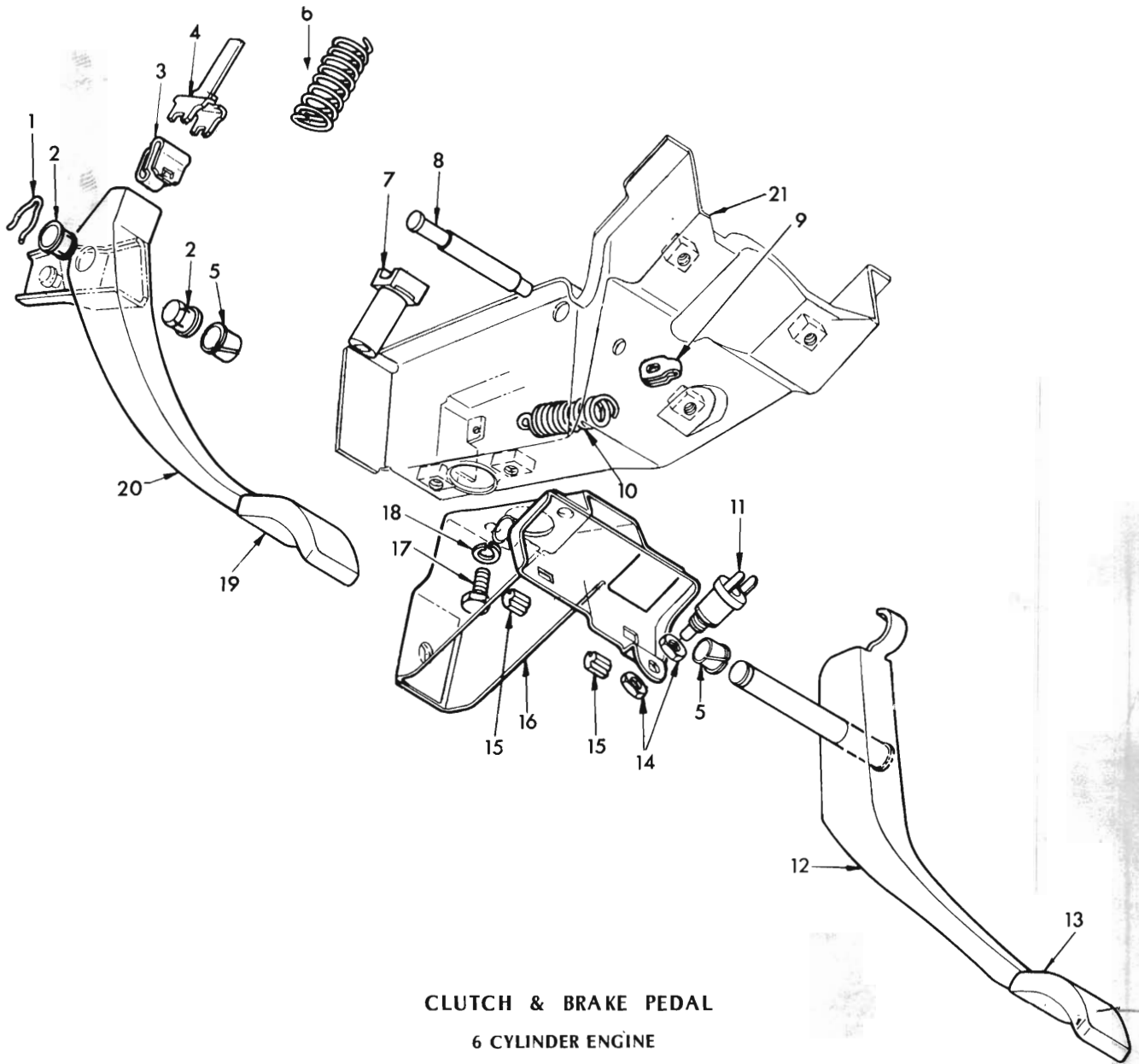
CLUTCH CONTROL
6 Cylinder Engine
Right Hand Drive

ILLUS. REF. NO.	PART NAME	GROUP	ILLUS. REF. NO.	PART NAME	GROUP
1.	SUPPORT ASSY.	0.852	6.	ROD - Push	0.839
2.	ROD ASSY.....	0.787	7.	CLIP	0.852
3.	BRACKET ASSY.	0.852	8.	BRACKET ASSY. - Lever brace	0.852
4.	LEVER ASSY. - Relay	0.852	9.	NUT - Push rod	0.839
5.	BRACE	0.852			



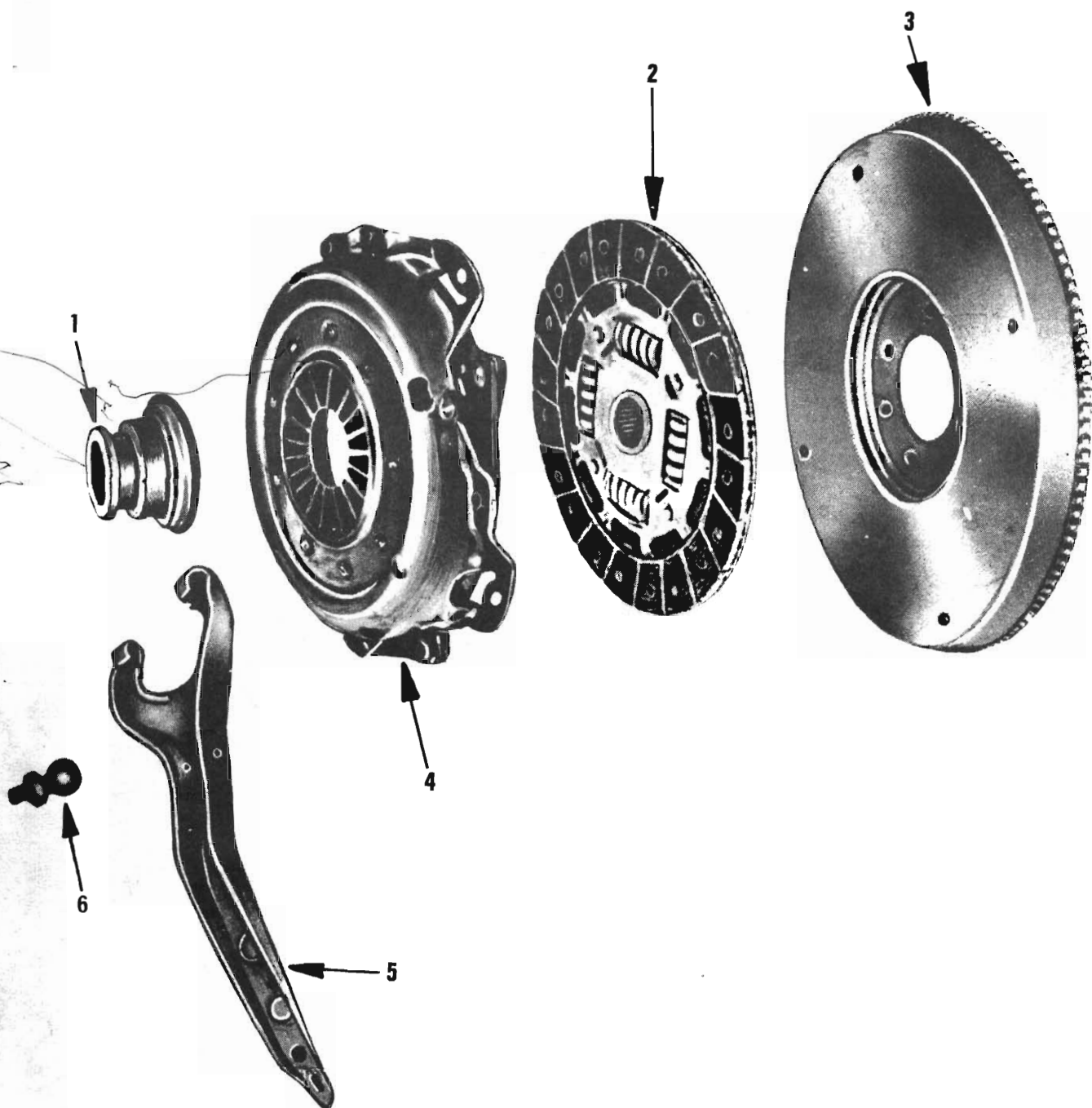
CLUTCH CONTROL
Left Hand Drive

ILLUS. REF. NO.	PART NAME	GROUP	ILLUS. REF. NO.	PART NAME	GROUP
1.	ROD - Clutch master cylinder push	0.918	9.	CLIP - Pipe to dash panel	0.929
2.	SEAL - Master cylinder end	0.924	10.	PIPE ASSY. - Clutch master cylinder	0.929
3.	CYLINDER ASSY.	0.902	11.	SPRING - Clutch return	0.844
4.	CONNECTOR - Pipe	0.929	12.	CYLINDER ASSY. - Clutch actuating	0.934
5.	WASHER - Special	0.929	13.	BRACKET - Actuating cylinder	0.934
6.	SEAL & RETAINER - Push rod	0.924	14.	NUT - Adjusting	0.839
7.	CLEVIS - Master cylinder push rod	0.920	15.	ROD - Clutch lever push	0.839
8.	WASHER - Clevis pin	0.921			



CLUTCH & BRAKE PEDAL
6 CYLINDER ENGINE

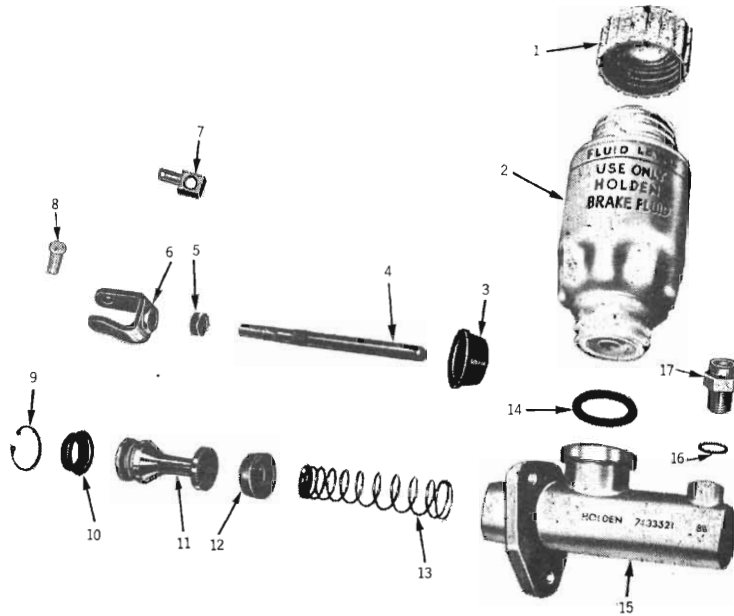
ILLUS. REF. NO.	PART NAME	GROUP	ILLUS. REF. NO.	PART NAME	GROUP
1.	SPRING	0.837	12.	PEDAL ASSY.	4.625
2.	BEARING - Pedal to shaft	0.831	13.	PAD	4.625
3.	BEARING - Pivot	0.848	14.	NUT	2.447
4.	YOKE ASSY. - Inner	0.848	15.	BUMPER	0.830/4.625
5.	BUSHING	0.831/4.626	16.	BRACKET ASSY.	0.833
6.	SPRING - Over-centre	0.844	17.	BOLT	8.900
7.	YOKE ASSY. - Outer	0.848	18.	WASHER - Lock	8.931
8.	SHAFT	0.847	19.	PAD	0.830
9.	CLIP	0.847	20.	PEDAL ASSY.	0.830
10.	SPRING	4.639	21.	BRACE	6.761
11.	SWITCH	2.447			



CLUTCH and FLYWHEEL

6 Cylinder Engine

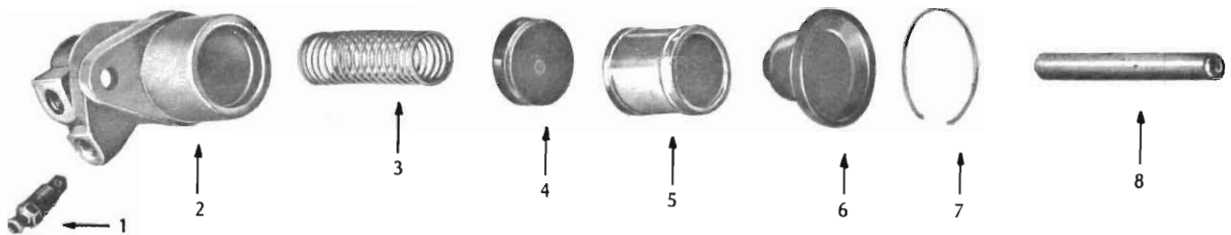
ILLUS. REF. NO.	DESCRIPTION	GROUP
1.	BEARING ASSY.	0.799
2.	PLATE ASSY. - Clutch driven	0.886
3.	FLYWHEEL & RING GEAR ASSY.	0.666
4.	COVER & PRESSURE PLATE ASSY. - Clutch ...	0.861
5.	LEVER - Clutch	0.795
6.	STUD - Clutch lever ball	0.796



CLUTCH MAIN CYLINDER

ILLUS. REF. NO.	PART NAME	GROUP	ILLUS. REF. NO.	PART NAME	GROUP
1.	CAP - Reservoir	0.907	10. (A)	CUP - Piston secondary	0.912
2.	RESERVOIR	0.906	11. (A)	PISTON	0.910
3.	SEAL - Push rod	0.924	12. (A)	CUP - Piston	0.911
4.	ROD - Push	0.918	13.	SPRING ASSY.	0.913
5.	NUT - Push rod	0.918	14. (A)	SEAL - Reservoir	0.904
6.	CLEVIS - Push rod	0.920	15.	BODY	0.902
7.	SWIVEL - Push rod	0.918	16.	WASHER - Special	0.929
8.	PIN - Clevis	0.921	17.	CONNECTOR - Pipe	0.929
9.	RING - Lock	0.914			

NOTE: (A) Parts are included in Repair Kit, refer Group 0.902



CLUTCH ACTUATING CYLINDER

ILLUS. REF. NO.	PART NAME	GROUP	ILLUS. REF. NO.	PART NAME	GROUP
1.	VALVE - Bleeder	0.940	5.	PISTON	0.936
2.	BODY	N.S.S.	6.	SEAL	0.935
3.	SPRING ASSY.	0.938	7.	RING	0.935
4.	CUP	0.937	8.	ROD - Push	0.839

NOTES

HOLDEN "LJ" PARTS CATALOGUE

GROUP	DESCRIPTION	MODEL	SIDE	PART No.	QTY.
0.000	ENGINE ASSEMBLY				
	CURRENT PRODUCTION ENGINE ASSEMBLIES WILL BE SUPPLIED ON A FIRM ORDER BASIS.				
0.001	GASKET SET – Engine overhaul				
	GASKET SET – Supplementary	1160, 70, 1300 Eng.		2690421	1
	GASKET SET – Supplementary	1600, 1760 Eng.		2702328	1
	GASKET SET – Supplementary	6 Cyl. Eng.		9930831	1
0.027	MOUNTING, BRACKET, CAP – Power plant mounting				
	MOUNTING ASSY. – Front	1160, 70, 1300 Eng.		7438815	2
	BRACKET ASSY. – Front mounting	1160, 70, 1300 Eng.	RH	7438816	1
	BRACKET – Front mounting	1160, 70, 1300 Eng.	LH	7439187	1
	CAP – Mounting restrictor	(A) 70, 1300 Eng.		7438720	2
	BOLT – Mounting bracket	1160, 70, 1300 Eng.		SP2073	6
	MOUNTING ASSEMBLY – Front	1600, 1760 Eng.		8827188	2
	WASHER – Mounting to support	1600, 1760 Eng.		1038079	2
	BRACKET – Front mounting	1600, 1760 Eng.	LH	2823859	1
			RH	2823858	1
	BOLT – Bracket to power plant	1600, 1760 Eng.	RH	8834103	3
	BRACKET – Power plant lifting, front	1600, 1760 Eng.		8839416	1
	SCREW and WASHER ASSEMBLY – Bracket to cylinder head $\frac{3}{8}$ " – 16 x $\frac{7}{8}$ "	1600, 1760 Eng.		9905680	1
	MOUNTING ASSY. – Front	6 Cyl. Eng.		9929659	2
	BRACKET – Front mounting	6 Cyl. Eng.	LH	9929041	1
			RH	9929042	1
	WASHER – Mounting to bracket	6 Cyl. Eng.		3713379	4
0.033	CYLINDER BLOCK				
	BLOCK COMPLETE – (Short Motor)	(M) 1160 Eng.		8850096	1
	BLOCK COMPLETE – (Short Motor)	(M) 70 Eng.		8850097	1
	BLOCK COMPLETE – (Short Motor)	(A) 70 Eng.		8850099	1
	BLOCK COMPLETE – (Short Motor)	(M) 1300 Eng. 8.5:1 C.R.		9966182	1
	BLOCK COMPLETE – (Short Motor)	(A) 1300 Eng.		2707774	1
	BLOCK COMPLETE – (Short Motor)	(M) 1600 Eng.		2700055	1
	BLOCK COMPLETE – (Short Motor)	(A) 1600 Eng.		⁽¹²⁸⁾ 8854737	1
	BLOCK COMPLETE – (Short Motor)	(M) 1760 Eng.		2706390	1
	BLOCK COMPLETE – (Short Motor)	(A) 1760 Eng.		2706392	1
	BLOCK COMPLETE – (Short Motor)	(M) 2250 Eng.		2818076	1
	BLOCK COMPLETE – (Short Motor)	(A) 2250 Eng.		2818077	1
	BLOCK COMPLETE – (Short Motor)	(M) 2850 Eng. 8.3:1 C.R.		9936861	1
	BLOCK COMPLETE – (Short Motor)	(A) 2850 Eng. 8.3:1 C.R.		9936862	1
	BLOCK COMPLETE – (Short Motor)	(M) 2850 Eng. 9.4:1 C.R.		9936859	1
	BLOCK COMPLETE – (Short Motor)	(A) 2850 Eng. 9.4:1 C.R.		9936860	1
	BLOCK COMPLETE – (Short Motor)	(M) 3300 exc. XU1 Eng. 7.8:1 C.R.		2815530	1
	BLOCK COMPLETE – (Short Motor)	(A) 3300 Eng. 7.8:1 C.R.		2815531	1
	BLOCK COMPLETE – (Short Motor)	(M) 3300 exc. XU1 Eng. 9.4:1 C.R.		9936865	1
	BLOCK COMPLETE – (Short Motor)	(A) 3300 Eng. 9.4:1 C.R.		2815460	1
	BLOCK COMPLETE – (Short Motor)	XU1 Eng.		⁽⁸⁹⁾ 2823687	1
	BLOCK COMPLETE – (Short Motor)	XU1 Eng.		⁽⁹⁰⁾ 9935129	1
	BLOCK – Fitted with pistons	(M) 1160, 70 Eng.		2693455	1
	BLOCK – Fitted with pistons	(A) 70 Eng.		2693456	1
	BLOCK – Fitted with pistons	(M) 1300 Eng. 8.5:1 C.R.		2707768	1
	BLOCK – Fitted with pistons	(A) 1300 Eng.		2707773	1
	BLOCK – Fitted with pistons	1600 Eng.		2688888	1
	BLOCK – Fitted with pistons	1760 Eng.		2706401	1
	BLOCK – Fitted with pistons	2250 Eng.		2818079	1
	BLOCK – Fitted with pistons	2850 Eng. 8.3:1 C.R.		9936872	1
	BLOCK – Fitted with pistons	2850 Eng. 9.4:1 C.R.		2815462	1
	BLOCK – Fitted with pistons	3300 Eng. 7.8:1 C.R.		2815465	1
	BLOCK – Fitted with pistons	3300 exc. XU1 Eng. 9.4:1 C.R.		2815464	1
	BLOCK – Fitted with pistons	XU1 Eng.		⁽⁸⁹⁾ 2825786	1
Note:	⁽⁸⁹⁾ Up to Eng No. JP386597.				
	⁽⁹⁰⁾ From Eng. No. JP386598.				
	⁽¹²⁸⁾ Use Gasket Part No. 2709580.				

HOLDEN "LJ" PARTS CATALOGUE

GROUP	DESCRIPTION	MODEL	SIDE	PART No.	QTY.
0.033	CYLINDER BLOCK (contd.)				
	BLOCK - Fitted with pistons	XU1 Eng.		(⁹⁰ 9936631	1
	STUD - Cylinder block $\frac{5}{16}$ " x 1"	1600 Eng.		8816812	1
	PLUG - Water jacket core cup $1\frac{1}{2}$ "	1160, 70, 1300 Eng.		7126018	4
	PLUG - Water jacket core cup $1\frac{1}{4}$ "	1160, 70, 1300 Eng.		6366744	1
	COCK ASSY. - Drain	4 Cyl. exc. 1600, 1760 Eng.		7057770	1
	PLUG - Water jacket core cup $\frac{5}{16}$ "	1600, 1760 Eng.		7209450	2
	PLUG - Water jacket core cup $1\frac{5}{64}$ "	1600 Eng.		7157925	6
	PIN - Spring $\frac{1}{4}$ " x $\frac{5}{8}$ " water transfer holes	1600 Eng.		273709	2
	PIN - Spring $\frac{3}{8}$ " x $\frac{3}{4}$ " water transfer holes	1760 Eng.		453675	2
	COCK ASSEMBLY - Drain	1600, 1760 Eng.		7057770	1
	DOWELL - Oil feed hole restrictor	1600, 1760 Eng.		2697856	1
	"O" RING - Dowel restrictor	1600, 1760 Eng.		2697857	1
	PLUG - Oil dipstick hole	1600 Eng.		2691787	1
	PLUG - Water jacket core cup $1\frac{9}{32}$ "	6 Cyl. Eng.		SP1652	2
	PLUG - Water jacket core cup $1\frac{11}{16}$ "	6 Cyl. Eng.		SP1648	3
	PLUG - Water jacket core rear $2\frac{1}{64}$ "	6 Cyl. Eng.		3789860	1
	PLUG - Water jacket core cup $2\frac{1}{16}$ "	6 Cyl. Eng.		SP1649	1
	PLUG - Water jacket core $1\frac{5}{8}$ "	6 Cyl. Eng.		838538	3
	PLUG KIT - Expansion	6 Cyl. Eng.		7420345	1
	PLUG - Water jacket core $1\frac{1}{4}$ "	6 Cyl. Eng.		7401296	2
	PLUG - Drain	6 Cyl. Eng.		444819	2
	PIN - Dowel, $\frac{5}{16}$ " x $\frac{9}{16}$ "	6 Cyl. Eng.		141216	2
	NOTE - Block Complete - (Short Motor) includes: Crankshaft, Camshaft, Timing Gears, Pistons, Piston Pins, Connecting Rods, Front Cover Plate.				
0.056	BOLT - Crankshaft bearing cap				
	BOLT - Bearing cap	1160, 70, 1300 Eng.		7219119	6
	BOLT - Bearing cap	1600, 1760 Eng.		7199276	10
	BOLT - Bearing cap	6 Cyl. Eng.		7420106	14
0.094	BEARING SET - Crankshaft				
	BEARING SET - Standard	(M) 1160, 70, 1300 Eng.		7187697	1
	BEARING SET - .010" U/S	(M) 1160, 70, 1300 Eng.		7187698	1
	BEARING SET - .020" U/S	(M) 1160, 70, 1300 Eng.		7187699	1
	BEARING SET - .040" U/S	(M) 1160, 70, 1300 Eng.		7187700	1
	BEARING SET - Standard	(A) 70, 1300 Eng.		2680491	1
	BEARING SET - .010" U/S	(A) 70, 1300 Eng.		2680492	1
	BEARING SET - .020" U/S	(A) 70, 1300 Eng.		2680493	1
	BEARING SET - .040" U/S	(A) 70, 1300 Eng.		2680494	1
	BEARING SET - Standard	1600, 1760 Eng.		9968573	1
	BEARING SET - .010" U/S	1600, 1760 Eng.		9968574	1
	BEARING SET - .020" U/S	1600, 1760 Eng.		9968575	1
	BEARING SET - .040" U/S	1600, 1760 Eng.		7217166	1
	BEARING SET - Standard	2250, 2850 Eng.		7430402	1
	BEARING SET - .001" U/S	2250, 2850 Eng.		7430403	1
	BEARING SET - .002" U/S	2250, 2850 Eng.		7430404	1
	BEARING SET - .010" U/S	2250, 2850 Eng.		7430406	1
	BEARING SET - .020" U/S	2250, 2850 Eng.		7430407	1
	BEARING SET - .030" U/S	2250, 2850 Eng.		7430408	1
	BEARING SET - Standard	3300 exc. XU1 Eng.		2817581	1
	BEARING SET - .001" U/S	3300 exc. XU1 Eng.		2817582	1
	BEARING SET - .002" U/S	3300 exc. XU1 Eng.		2817583	1
	BEARING SET - .010" U/S	3300 exc. XU1 Eng.		2817585	1
	BEARING SET - .020" U/S	3300 exc. XU1 Eng.		2817586	1
	BEARING SET - .030" U/S	3300 exc. XU1 Eng.		2817587	1
	BEARING SET - Standard	XU1 Eng.		(⁹⁹ 2823905	1
	BEARING SET - .001" U/S	XU1 Eng.		(⁹⁹ 2823906	1
	BEARING SET - .010" U/S	XU1 Eng.		(⁹⁹ 2823907	1

Note: (⁹⁹ Up to Eng No. JP386597.
(⁹⁰ From Eng. No. JP386598.

HOLDEN "LJ" PARTS CATALOGUE

GROUP	DESCRIPTION	MODEL	SIDE	PART No.	QTY.
0.095	CAP – Crankshaft front bearing				
	CAP	2250, 2850 Eng.		2819465	1
	CAP	3300 Eng.		2819462	1
0.096	BEARING, BEARING UNIT – Crankshaft front				
	BEARING – Upper, standard	4 Cyl. exc. 1600 Eng.		7159554	1
	BEARING UNIT – Standard	2250, 2850 Eng.		7430430	1
	BEARING UNIT – .001" U/S	2250, 2850 Eng.		7430431	1
	BEARING UNIT – .002" U/S	2250, 2850 Eng.		7430432	1
	BEARING UNIT – .010" U/S	2250, 2850 Eng.		7430434	1
	BEARING UNIT – .020" U/S	2250, 2850 Eng.		7430435	1
	BEARING UNIT – .030" U/S	2250, 2850 Eng.		7430436	1
	BEARING UNIT – Standard	3300 exc. XU1 Eng.		2817588	1
	BEARING UNIT – .001" U/S	3300 exc. XU1 Eng.		2817589	1
	BEARING UNIT – .002" U/S	3300 exc. XU1 Eng.		2817590	1
	BEARING UNIT – .010" U/S	3300 exc. XU1 Eng.		2817592	1
	BEARING UNIT – .020" U/S	3300 exc. XU1 Eng.		2817593	1
	BEARING UNIT – .030" U/S	3300 exc. XU1 Eng.		2817594	1
	BEARING UNIT – Standard	XU1 Eng.		⁽⁸⁹⁾ 2823910	1
	BEARING UNIT – .001" U/S	XU1 Eng.		⁽⁸⁹⁾ 2823911	1
	BEARING UNIT – .010" U/S	XU1 Eng.		⁽⁸⁹⁾ 2823912	1
	BEARING UNIT – .020" U/S	XU1 Eng.		⁽⁸⁹⁾ 2823913	1
	BEARING UNIT – .030" U/S	XU1 Eng.		⁽⁸⁹⁾ 2823914	1
	BEARING UNIT – Standard	XU1 Eng.		⁽⁹⁰⁾ M37418	1
	BEARING UNIT – .001" U/S	XU1 Eng.		⁽⁹⁰⁾ M37419	1
	BEARING UNIT – .010" U/S	XU1 Eng.		⁽⁹⁰⁾ M37430	1
0.098	CAP – Crankshaft front intermediate bearing				
	CAP	2250, 2850 Eng.		2819465	2
	CAP	3300 Eng.		2819462	2
0.099	BEARING UNIT – Crankshaft front intermediate				
	BEARING UNIT – Standard	2250, 2850 Eng.		7430430	2
	BEARING UNIT – .001" U/S	2250, 2850 Eng.		7430431	2
	BEARING UNIT – .002" U/S	2250, 2850 Eng.		7430432	2
	BEARING UNIT – .010" U/S	2250, 2850 Eng.		7430434	2
	BEARING UNIT – .020" U/S	2250, 2850 Eng.		7430435	2
	BEARING UNIT – .030" U/S	2250, 2850 Eng.		7430436	2
	BEARING UNIT – Standard	3300 exc. XU1 Eng.		2817588	2
	BEARING UNIT – .001" U/S	3300 exc. XU1 Eng.		2817589	2
	BEARING UNIT – .002" U/S	3300 exc. XU1 Eng.		2817590	2
	BEARING UNIT – .010" U/S	3300 exc. XU1 Eng.		2817592	2
	BEARING UNIT – .020" U/S	3300 exc. XU1 Eng.		2817593	2
	BEARING UNIT – .030" U/S	3300 exc. XU1 Eng.		2817594	2
	BEARING UNIT – Standard	XU1 Eng.		⁽⁸⁹⁾ 2823910	2
	BEARING UNIT – .001" U/S	XU1 Eng.		⁽⁸⁹⁾ 2823911	2
	BEARING UNIT – .010" U/S	XU1 Eng.		⁽⁸⁹⁾ 2823912	2
	BEARING UNIT – .020" U/S	XU1 Eng.		⁽⁸⁹⁾ 2823913	2
	BEARING UNIT – .030" U/S	XU1 Eng.		⁽⁸⁹⁾ 2823914	2
	BEARING UNIT – Standard	XU1 Eng.		⁽⁹⁰⁾ M37418	1
	BEARING UNIT – .001" U/S	XU1 Eng.		⁽⁹⁰⁾ M37419	1
	BEARING UNIT – .010" U/S	XU1 Eng.		⁽⁹⁰⁾ M37430	1
0.100	CAP – Crankshaft centre bearing				
	CAP	1160, 70, 1300 Eng.		2708584	1
	CAP	2250, 2850 Eng.		2819465	1
	CAP	3300 Eng.		2819462	1

Note: ⁽⁸⁹⁾ Up to Eng No. JP386597.
⁽⁹⁰⁾ From Eng. No. JP386598.

HOLDEN "LJ" PARTS CATALOGUE

GROUP	DESCRIPTION	MODEL	SIDE	PART No.	QTY.
0.101	BEARING, BEARING UNIT – Crankshaft centre				
	BEARING UNIT – Standard	2250, 2850 Eng.		7430430	1
	BEARING UNIT – .001" U/S	2250, 2850 Eng.		7430431	1
	BEARING UNIT – .002" U/S	2250, 2850 Eng.		7430432	1
	BEARING UNIT – .010" U/S	2250, 2850 Eng.		7430434	1
	BEARING UNIT – .020" U/S	2250, 2850 Eng.		7430435	1
	BEARING UNIT – .030" U/S	2250, 2850 Eng.		7430436	1
	BEARING UNIT – Standard	3300 exc. XU1 Eng.		2817588	1
	BEARING UNIT – .001" U/S	3300 exc. XU1 Eng.		2817589	1
	BEARING UNIT – .002" U/S	3300 exc. XU1 Eng.		2817590	1
	BEARING UNIT – .010" U/S	3300 exc. XU1 Eng.		2817592	1
	BEARING UNIT – .020" U/S	3300 exc. XU1 Eng.		2817593	1
	BEARING UNIT – .030" U/S	3300 exc. XU1 Eng.		2817594	1
	BEARING UNIT – Standard	XU1 Eng.		⁽⁸⁹⁾ 2823910	1
	BEARING UNIT – .001" U/S	XU1 Eng.		⁽⁸⁹⁾ 2823911	1
	BEARING UNIT – .010" U/S	XU1 Eng.		⁽⁸⁹⁾ 2823912	1
	BEARING UNIT – .020" U/S	XU1 Eng.		⁽⁸⁹⁾ 2823913	1
	BEARING UNIT – .030" U/S	XU1 Eng.		⁽⁸⁹⁾ 2823914	1
	BEARING UNIT – Standard	XU1 Eng.		⁽⁹⁰⁾ M37418	1
	BEARING UNIT – .001" U/S	XU1 Eng.		⁽⁹⁰⁾ M37419	1
	BEARING UNIT – .010" U/S	XU1 Eng.		⁽⁹⁰⁾ M37430	1
3.102	CAP – Crankshaft rear intermediate bearing				
	CAP	2250, 2850 Eng.		2819465	2
	CAP	3300 Eng.		2819462	2
0.103	BEARING UNIT – Crankshaft rear intermediate				
	BEARING UNIT – Standard	2250, 2850 Eng.		7430430	2
	BEARING UNIT – .001" U/S	2250, 2850 Eng.		7430431	2
	BEARING UNIT – .002" U/S	2250, 2850 Eng.		7430432	2
	BEARING UNIT – .010" U/S	2250, 2850 Eng.		7430434	2
	BEARING UNIT – .020" U/S	2250, 2850 Eng.		7430435	2
	BEARING UNIT – .030" U/S	2250, 2850 Eng.		7430436	2
	BEARING UNIT – Standard	3300 exc. XU1 Eng.		2817588	2
	BEARING UNIT – .001" U/S	3300 exc. XU1 Eng.		2817589	2
	BEARING UNIT – .002" U/S	3300 exc. XU1 Eng.		2817590	2
	BEARING UNIT – .010" U/S	3300 exc. XU1 Eng.		2817592	2
	BEARING UNIT – .020" U/S	3300 exc. XU1 Eng.		2817593	2
	BEARING UNIT – .030" U/S	3300 exc. XU1 Eng.		2817594	2
	BEARING UNIT – Standard	XU1 Eng.		⁽⁸⁹⁾ 2823910	2
	BEARING UNIT – .001" U/S	XU1 Eng.		⁽⁸⁹⁾ 2823911	2
	BEARING UNIT – .010" U/S	XU1 Eng.		⁽⁸⁹⁾ 2823912	2
	BEARING UNIT – .020" U/S	XU1 Eng.		⁽⁸⁹⁾ 2823913	2
	BEARING UNIT – .030" U/S	XU1 Eng.		⁽⁸⁹⁾ 2823914	2
	BEARING UNIT – Standard	XU1 Eng.		⁽⁹⁰⁾ M37418	2
	BEARING UNIT – .001" U/S	XU1 Eng.		⁽⁹⁰⁾ M37419	2
	BEARING UNIT – .010" U/S	XU1 Eng.		⁽⁹⁰⁾ M37430	2
0.105	CAP – Crankshaft rear bearing				
	CAP	2250, 2850 Eng.		2819471	1
	CAP	3300 Eng.		2819468	1
0.106	BEARING, BEARING UNIT – Crankshaft rear				
	BEARING – Upper, standard	4 Cyl. exc. 1600 Eng.		7159554	1
	BEARING UNIT – Standard	2250, 2850 Eng.		7430437	1
	BEARING UNIT – .001" U/S	2250, 2850 Eng.		7430438	1
	BEARING UNIT – .002" U/S	2250, 2850 Eng.		7430439	1
	BEARING UNIT – .010" U/S	2250, 2850 Eng.		7430441	1
	BEARING UNIT – .020" U/S	2250, 2850 Eng.		7430442	1
	BEARING UNIT – .030" U/S	2250, 2850 Eng.		7430443	1
	BEARING UNIT – Standard	3300 exc. XU1 Eng.		2817595	1

Note: ⁽⁸⁹⁾ Up to Eng. No. JP386597.
⁽⁹⁰⁾ From Eng. No. JP386598.

HOLDEN "LJ" PARTS CATALOGUE

GROUP	DESCRIPTION	MODEL	SIDE	PART No.	QTY.
0.106 BEARING, BEARING UNIT – Crankshaft rear (contd.)					
	BEARING UNIT – .001" U/S	3300 exc. XU1 Eng.		2817596	1
	BEARING UNIT – .002" U/S	3300 exc. XU1 Eng.		2817597	1
	BEARING UNIT – .010" U/S	3300 exc. XU1 Eng.		2817599	1
	BEARING UNIT – .020" U/S	3300 exc. XU1 Eng.		2817600	1
	BEARING UNIT – .030" U/S	3300 exc. XU1 Eng.		2817601	1
	BEARING UNIT – Standard	XU1 Eng.		(⁸⁹ 2823927)	1
	BEARING UNIT – .001" U/S	XU1 Eng.		(⁸⁹ 2823928)	1
	BEARING UNIT – .010" U/S	XU1 Eng.		(⁸⁹ 2823929)	1
	BEARING UNIT – .020" U/S	XU1 Eng.		(⁸⁹ 2823930)	1
	BEARING UNIT – .030" U/S	XU1 Eng.		(⁸⁹ 2823931)	1
	BEARING UNIT – Standard	XU1 Eng.		(⁹⁰ M37420)	1
	BEARING UNIT – .001" U/S	XU1 Eng.		(⁹⁰ M37421)	1
	BEARING UNIT – .010" U/S	XU1 Eng.		(⁹⁰ M37431)	1
0.137 SEAL – Crankshaft bearing oil					
	SEAL	1160, 70, 1300 Eng.		91086575 ← 8816552	1
	SEAL – Front	1600, 1760 Eng.		7201416	1
	SEAL – Rear	1600, 1760 Eng.		6390312	2
	SEAL PACKAGE	6 Cyl. Eng.		2812439 ← 9929165	1
0.153 SHIM, SHIM UNIT – Crankshaft bearing cap					
	SHIM – Front, .002"	1160, 70, 1300 Eng.		8825732	A.R.
	SHIM – Front, .003"	1160, 70, 1300 Eng.		8825733	A.R.
	SHIM – Centre, .002"	1160, 70, 1300 Eng.		8825734	A.R.
	SHIM – Centre, .003"	1160, 70, 1300 Eng.		8825735	A.R.
	SHIM – Rear, .002"	1160, 70, 1300 Eng.		8825736	A.R.
	SHIM – Rear, .003"	1160, 70, 1300 Eng.		8825737	A.R.
0.206 COVER, BRACKET – Crankcase front end					
	COVER ASSEMBLY	1160, 70, 1300 Eng.		8847862	1
	COVER ASSEMBLY	1600, 1760 Eng.		8839542	1
	BRACKET – Cover support	1600, 1760 Eng.	LH	8831518	1
			RH	2825422	1
	BOLT – Bracket to crankcase	1600, 1760 Eng.		SP2409	1
	SPACER – Bracket to cover	1760 Eng.		7167971	1
	SCREW – Bracket to cover	1760 Eng.		11047392	1
	STUD – Cover to cylinder head	1600, 1760 Eng.		7219127	1
	STUD – Cover to oil filter adaptor	1600, 1760 Eng.		7219344	1
	WASHER – Cover to oil filter adaptor	1600, 1760 Eng.		1036274	1
	COVER ASSEMBLY	6 Cyl. Eng.		2814753	1
	BOLT – Crankcase front cover	6 Cyl. Eng.		7427738	6
0.207 GASKET – Crankcase front end cover					
	GASKET	1160, 70, 1300 Eng.		6366826	1
	GASKET	6 Cyl. Eng.		7420004	1
0.209 SEAL, PLUG – Crankcase front end cover oil					
	SEAL	1160, 70, 1300 Eng.		8829404	1
	PLUG – Cup	1160, 70, 1300 Eng.		7146717	1
	SEAL	6 Cyl. Eng.		3835946	1
0.269 HEAD – Cylinder					
	HEAD and STUD ASSY.	1160 Eng.		(¹²⁷ 8841623)	1
	HEAD ASSEMBLY	(M) 70 Eng.		8841622	1
	HEAD ASSEMBLY	(A) 70 Eng.		8841624	1
	HEAD ASSEMBLY	1300 Eng.		(¹²⁷ 2693440)	1
	HEAD ASSEMBLY	1600 Eng.		2688865	1
	HEAD ASSEMBLY	1760 Eng.		2684900	1
Note: (⁸⁹ Up to Eng. No. JP386597. (⁹⁰ From Eng. No. JP386598. (¹²⁷ Use also 1 – 7087203 Plug.					

HOLDEN "LJ" PARTS CATALOGUE

GROUP	DESCRIPTION	MODEL	SIDE	PART No.	QTY.
0.269	HEAD - Cylinder (contd.)				
	PLUG - Rear, 1 1/2" cup	1160, 70, 1300 Eng.		7126018	1
	PLUG - Top cup	1160, 70, 1300 Eng.		6384848	A.R.
	PLUG - Water jacket core cup 5/8"	1600, 1760 Eng.		7199278	4
	PLUG - Water jacket core cup 3/4"	1600, 1760 Eng.		7199277	2
	PLUG - Water jacket core cup 1 1/2"	1600, 1760 Eng.		7126018	2
	DOWEL - 5/16" knurled	1600, 1760 Eng.		7219217	2
	HEAD COMPLETE	2250 Eng. 9.2:1 C.R.		2819454	1
	HEAD COMPLETE	2250 Eng. 7.8:1 C.R.		2819457	1
	HEAD COMPLETE	2850 Eng. 9.4:1 C.R.		2819454	1
	HEAD COMPLETE	2850 Eng. 8.3:1 C.R.		2819457	1
	HEAD COMPLETE	3300 exc. XU1 Eng.		2819457	1
	HEAD COMPLETE	XU1 Eng.		⁽⁸⁹⁾ 2824280	1
	HEAD	2250 Eng. 9.2:1 C.R.		2823850	1
	HEAD	2250 Eng. 7.8:1 C.R.		2823851	1
	HEAD	2850 Eng. 9.4:1 C.R.		2823850	1
	HEAD	2850 Eng. 8.3:1 C.R.		2823851	1
	HEAD	3300 exc. XU1 Eng.		2823851	1
	HEAD	XU1 Eng.		⁽⁸⁹⁾ 2817134	1
	HEAD	XU1 Eng.		⁽⁹⁰⁾ 9934044	1
	PLUG - Water jacket core 3/4"	6 Cyl. Eng.		7420138	3
	PLUG - Water jacket core cup 1 3/16"	6 Cyl. Eng.		SP1650	3
0.277	SWITCH, SENDER UNIT - Thermo				
	SWITCH - Thermo tell tale (warning lamp)	1160, 70, 1300 Eng.		2823894	1
	SWITCH - Thermo tell tale (warning lamp)	1600, 1760 Eng.		7438087	1
	SWITCH - Thermo tell tale (warning lamp)	6 Cyl. Eng.		7428031	1
	SENDER UNIT - Engine (gauges)	ALL		7438478	1
	ADAPTOR - Engine sender unit (gauges)	4 Cyl. Eng.		7439620	1
	ADAPTOR - Engine sender unit (gauges)	6 Cyl. Eng.		7438477	1
0.289	GASKET SET, GASKET - Cylinder head				
	GASKET SET	1160 Eng. 8.5:1 C.R.		2718541	1
	GASKET SET	70 Eng. 9.0:1 C.R.		2718542	1
	GASKET	1160, 70 Eng. 8.5:1, 9.0:1 C.R.		8849870	1
	GASKET	1160 Eng. 7.3:1 C.R.		2681402	1
	GASKET SET	1300 Eng. 8.5:1 C.R.		91008532	1
	GASKET	1300 Eng. 8.5:1 C.R.		2694799	1
	GASKET	1300 Eng. 7.8:1 C.R.		2825378	1
	GASKET SET	1600 Eng.		9961901	1
	GASKET	1600 Eng.		7204255	1
	GASKET SET	1760 Eng.		9961378	1
	GASKET	1760 Eng.		8839201	1
	GASKET SET	2250 Eng.		2812760	1
	GASKET	2250 Eng.		7425993	1
	GASKET SET	2850 Eng.		2819458	1
	GASKET	2850 Eng.		2810692	1
	GASKET SET	3300 exc. XU1 Eng.		7430270	1
	GASKET SET	XU1 Eng.		M37439	1
	GASKET	3300 Eng.		7429473	1
0.293	BOLT - Cylinder head				
	BOLT - 3 1/8" long	1160, 70, 1300 Eng.		9964001	5
	BOLT - 3 15/16" long	1160, 70, 1300 Eng.		9964002	5
	BOLT - 3 3/8" long	1600, 1760 Eng.		7199388	5
	BOLT - 1 1/4" long	1600, 1760 Eng.		7199389	5
	BOLT	6 Cyl. Eng.		7420137	14

Note: ⁽⁸⁹⁾ Up to Eng. No. JP386597.
⁽⁹⁰⁾ From Eng. No. JP386598.

HOLDEN "LJ" PARTS CATALOGUE

GROUP	DESCRIPTION	MODEL	SIDE	PART No.	QTY.
0.296	VALVE – Inlet				
	VALVE – Standard	1160, 70, 1300 Eng.		8819590	4
	VALVE – .003" O/S	1160, 70, 1300 Eng.		8829153	4
	VALVE – .006" O/S	1160, 70, 1300 Eng.		8829154	4
	VALVE – .010" O/S	1160, 70, 1300 Eng.		8829155	4
	VALVE – .015" O/S	1160, 70, 1300 Eng.		8829156	4
	VALVE – Standard	1600, 1760 Eng.		7213126	4
	VALVE – .003" O/S	1600, 1760 Eng.		7213127	4
	VALVE – .006" O/S	1600, 1760 Eng.		7213128	4
	VALVE – .012" O/S	1600, 1760 Eng.		7213129	4
	VALVE – .024" O/S	1600, 1760 Eng.		7213130	4
	VALVE – Standard	6 Cyl. exc. XU1 Eng.		7420071	6
	VALVE – .0015" O/S	6 Cyl. exc. XU1 Eng.		7427731	6
	VALVE – .003" O/S	6 Cyl. exc. XU1 Eng.		7420172	6
	VALVE – .015" O/S	6 Cyl. exc. XU1 Eng.		7420173	6
	VALVE – .030" O/S	6 Cyl. exc. XU1 Eng.		7420174	6
	VALVE – Standard	XU1 Eng.		⁽⁸⁹⁾ 2822073	6
	VALVE – Standard	XU1 Eng.		⁽⁹⁰⁾ 9934043	6
	VALVE – .0015"	XU1 Eng.		⁽⁹⁰⁾ 9934095	6
0.297	VALVE – Exhaust				
	VALVE – Standard	1160, 70, 1300 Eng.		9800407 ⁹¹⁰⁰⁵²⁵⁴ 9800407	4
	VALVE – .003" O/S	1160, 70, 1300 Eng.		2685043	4
	VALVE – .006" O/S	1160, 70, 1300 Eng.		2685044	4
	VALVE – .010" O/S	1160, 70, 1300 Eng.		2685045	4
	VALVE – .015" O/S	1160, 70, 1300 Eng.		2685046	4
	VALVE – Standard	1600, 1760 Eng.		8813496	4
	VALVE – .003" O/S	1600, 1760 Eng.		8829428	4
	VALVE – .006" O/S	1600, 1760 Eng.		8829429	4
	VALVE – .012" O/S	1600, 1760 Eng.		8829430	4
	VALVE – .024" O/S	1600, 1760 Eng.		8829431	4
	VALVE – Standard	6 Cyl. exc. XU1 Eng.		7420072	6
	VALVE – .0015" O/S	6 Cyl. exc. XU1 Eng.		7427732	6
	VALVE – .003" O/S	6 Cyl. exc. XU1 Eng.		7420175	6
	VALVE – .015" O/S	6 Cyl. exc. XU1 Eng.		7420176	6
	VALVE – .030" O/S	6 Cyl. exc. XU1 Eng.		7420177	6
	VALVE – Standard	XU1 Eng.		2822074	6
0.303	SPRING – Valve				
	SPRING	1160, 70, 1300 Eng.		2700083	8
	SPRING – Inner	1600, 1760 Eng.		8822866	8
	SPRING – Outer	1600, 1760 Eng.		8822867	8
	SPRING	6 Cyl. exc. XU1 Eng.		7420073	12
	SPRING	XU1 Eng.		3911068	12
0.308	SEAL, SHIELD – Valve stem				
	SEAL – Oil, inlet valve	1160, 70, 1300 Eng.		8835296 ^{M38672} 8835296	4
	SEAL – Oil, inlet valve	1600, 1760 Eng.		8813341	4
	SEAL	6 Cyl. Eng.		7434738	12-6
	SEAL – Oil, inlet valve	XU1 Eng.		2816914	6
	SHIELD	6 Cyl. exc. XU1 Eng.		3836755	12
0.309	CAP – Valve spring				
	CAP	1160, 70, 1300 Eng.		6376599	8
	CAP	1600, 1760 Eng.		7209495	8
	CAP	6 Cyl. exc. XU1 Eng.		3711176	12
	CAP	XU1 Eng.		3896934	12

Note: ⁽⁸⁹⁾ Up to Eng No. JP386597.
⁽⁹⁰⁾ From Eng. No. JP386598.

HOLDEN "LJ" PARTS CATALOGUE

GROUP	DESCRIPTION	MODEL	SIDE	PART No.	QTY.
0.310	COLLAR, KEY – Valve stem				
	COLLAR	1160, 70, 1300 Eng.		6377118	16
	COLLAR	1600, 1760 Eng.		1033197	16
	KEY	6 Cyl. Eng.		838029	24
0.333	ARM – Valve rocker				
	ARM	1160, 70 Eng.		6366482	8
	ARM	1300 Eng.		2865380	8
	ARM	6 Cyl. exc. XU1 Eng.		2811931	12
	ARM	XU1 Eng.		2816450	12
0.378	SPRING – Valve rocker arm retainer				
	SPRING	1160, 70, 1300 Eng.		6376461	8
0.386	COVER – Valve rocker				
	COVER – Valve rocker	1160, 70, 1300 Eng.		7154475	1
	SCREW & WASHER ASSY. – Cover fixing	1160, 70, 1300 Eng.		7195980	4
	COVER – Valve rocker (Painted type)	6 Cyl. Eng.		⁽⁹²⁾ 9928697	1
	COVER – Valve rocker (Chrome)	3300 Eng.		⁽⁹²⁾ 9928698	1
	COVER – Valve rocker (Painted type)	6 Cyl. Eng.		⁽⁹³⁾ 9932266	1
	COVER – Valve rocker (Chrome)	3300 Eng.		⁽⁹³⁾ 9932267	1
0.386	HOUSING, COVER, ELEMENT, RETAINER, BRACKET – Camshaft				
	HOUSING – Camshaft	1600, 1760 Eng.		8854697	1
	BOLT – Housing to cylinder head	1600, 1760 Eng.		7206120	10
	COVER – Camshaft	1600, 1760 Eng.		9966072	1
	STUD – Cover to housing	1600, 1760 Eng.		8816990	4
	SCREW – Cover to housing	1600, 1760 Eng.		9905541	4
	ELEMENT – Cover breather	1600, 1760 Eng.		7972117	1
	RETAINER – Cover baffle	1600, 1760 Eng.		7213418	1
	BRACKET – Spark plug cable	1600, 1760 Eng.		8813140	2
	RIVET – Retainer and bracket fixing	1600, 1760 Eng.		7189379	4
	COVER – Rear housing	1600, 1760 Eng.		7204470	1
	STUD – Cover to housing	1600, 1760 Eng.		8816991	1
0.388	TRANSFER – Valve rocker cover				
	TRANSFER – Engine capacity identification	1160 Eng.		7448490	1
	TRANSFER – Engine capacity identification	70 Eng.		7448826	1
	TRANSFER – Engine capacity identification	1300 Eng.		2824690	1
	TRANSFER – Engine capacity identification	2250 Eng. 9.2:1 C.R.		2820466	1
	TRANSFER – "Low Compression 2250"	2250 Eng. 7.8:1 C.R.		2822083	1
	TRANSFER – "Low Compression 2850"	2850 Eng. 8.3:1 C.R.		2822111	1
	TRANSFER – Engine capacity identification	2850 Eng. 9.4:1 C.R.		2818505	1
	TRANSFER – Engine capacity identification	3300 Eng. 7.8:1 C.R.		9931403	1
	TRANSFER – Engine capacity identification	3300 Eng. 9.4:1 C.R.		2822079	1
	TRANSFER – Engine type "XU1"	XU1 Eng.		2822080	1
	TRANSFER – Plain, front	3300 exc. XU1 Eng.		2822082	1
	TRANSFER – Plain, rear	3300 exc. XU1 Eng.		2822760	1
0.413	REINFORCEMENT – Valve rocker cover				
	REINFORCEMENT	6 Cyl. Eng.		2806691	8
	REINFORCEMENT – (Chrome)	3300 Eng.		2809364	8
	SCREW – (Chrome)	3300 Eng.		121812	8
0.423	GASKET – Valve rocker cover				
	GASKET – Rocker cover	1160, 70, 1300 Eng.		7157744	1
	GASKET – Rocker cover	6 Cyl. Eng.		2805794	1

Note: ⁽⁹²⁾ Prior to A.D.R.27.
⁽⁹³⁾ With A.D.R. 27.

HOLDEN "LJ" PARTS CATALOGUE

GROUP	DESCRIPTION	MODEL	SIDE	PART No.	QTY.
0.423	GASKET – Camshaft housing cover				
	GASKET – Camshaft housing	1600, 1760 Eng.		8851830	1
	GASKET – Cover to housing <i>R/L GASKET</i>	1600, 1760 Eng.		8849920	1
	GASKET – Rear cover	1600, 1760 Eng.		7204357	1
0.426	ROD – Valve push				
	ROD	1160, 70, 1300 Eng.		6366673	8
	ROD	6 Cyl. exc. XU1 Eng.		2811932	12
	ROD	XU1 Eng.		7429562	12
0.429	STUD, BALL, NUT, PIVOT, BOLT – Valve rocker arm				
	STUD – Rocker arm, .006" O/S	1160, 70, 1300 Eng.		6399122	8
	STUD – Rocker arm, .012" O/S	1160, 70, 1300 Eng.		7159626	8
	BALL – Rocker arm	1160, 70, 1300 Eng.		6366998	8
	NUT – Rocker arm	1160, 70, 1300 Eng.		7153847	8
	PIVOT	6 Cyl. exc. XU1 Eng.		2811933	6
	BOLT – Pivot	6 Cyl. exc. XU1 Eng.		9423842	12
	STUD – Standard	XU1 Eng.		7420057	12
	STUD – .003" O/S	XU1 Eng.		7426226	12
	STUD – .013" O/S	XU1 Eng.		7426227	12
	BALL	XU1 Eng.		7439715	12
	NUT	XU1 Eng.		(¹² 3744341)	12
0.429	SCREW – Valve tappet adjuster				
	SCREW – Tappet adjuster, standard	1600, 1760 Eng.		7213137	8
	SCREW – Tappet adjuster, 1st O/S (35° taper)	1600, 1760 Eng.		7213253	8
	SCREW – Tappet adjuster, 2nd O/S (42° taper)	1600, 1760 Eng.		7213254	8
0.439	COVER – Valve push rod				
	COVER ASSY.	6 Cyl. Eng.		7420124	2
0.443	GASKET – Valve push rod cover				
	GASKET	6 Cyl. Eng.		2805795	2
0.449	BOLT – Valve push rod cover				
	BOLT and SEAL ASSY.	6 Cyl. Eng.		7421877	6
	SEAL	6 Cyl. Eng.		M35821	6
0.459	TAPPET – Valve				
	TAPPET	1160, 70, 1300 Eng.		8841885	8
	TAPPET	1600, 1760 Eng.		8850004	8
0.459	LIFTER – Hydraulic valve				
	LIFTER ASSY.	6 Cyl. Eng.		5232795	12
	RETAINER – Lifter plunger	6 Cyl. Eng.		5231369	12
0.519	CAMSHAFT, AUXILIARY SHAFT				
	CAMSHAFT	1160 Eng.		6366690	1
	CAMSHAFT	70, 1300 Eng.		7199203	1
	CAMSHAFT	1600 Eng.		8852016	1
	CAMSHAFT	1760 Eng.		8813366	1
	AUXILIARY SHAFT	1600, 1760 Eng.		8829012	1
	CAMSHAFT	2250, 2850 Eng.		7420034	1
	CAMSHAFT	3300 exc. XU1 Eng.		2818929	1
	CAMSHAFT	XU1 Eng.		2823364	1

Note: (¹² Use with Rocker Arms 7420056 or 2816450.

HOLDEN "LJ" PARTS CATALOGUE

GROUP	DESCRIPTION	MODEL	SIDE	PART No.	QTY.
0.533	PLATE, WASHER, BEARING – Camshaft thrust				
	PLATE	1160, 70, 1300 Eng.		8847863	1
	BOLT	1160, 70, 1300 Eng.		7187936	2
	WASHER - Thrust	1600, 1760 Eng.		7201027	1
	WASHER - Retaining	1600, 1760 Eng.		7201028	1
	BOLT - Hex. hd. selflocking $\frac{3}{8}$ " - 24 x $\frac{7}{8}$ "	1600, 1760 Eng.		9906122	1
	BEARING	6 Cyl. Eng.		7429774	1
0.536	BEARING SET – Camshaft				
	BEARING SET	6 Cyl. Eng.		7423616	1
0.539	BEARING, SEAL – Camshaft front, auxiliary shaft front				
	BEARING - Camshaft	1160, 70, 1300 Eng.		7153865	1
	BEARING - Auxiliary shaft	1600, 1760 Eng.		7199091	1
	SEAL	1600, 1760 Eng.		7199290	2
0.544	BEARING – Camshaft centre				
	BEARING	1160, 70, 1300 Eng.		7153866	1
0.549	BEARING – Camshaft rear, auxiliary shaft rear				
	BEARING - Camshaft	1160, 70, 1300 Eng.		7153867	1
	BEARING - Auxiliary shaft	1600, 1760 Eng.		7199093	1
0.553	PLUG – Camshaft rear bearing, auxiliary shaft rear				
	PLUG - Camshaft 1 $\frac{3}{4}$ " dia.	1160, 70, 1300 Eng.		9902807	1
	PLUG - Auxiliary shaft 2" dia.	1600, 1760 Eng.		9902809	1
	PLUG	6 Cyl. Eng.		3789860	1
	PLUG - Cup 2 $\frac{1}{16}$ "	6 Cyl. Eng.		SP1649	1
0.603	ROD ASSEMBLY – Connecting				
	ROD ASSEMBLY	1160, 70, 1300 Eng.		6366738	4
	ROD ASSEMBLY	1600, 1760 Eng.		7201064	4
	ROD ASSEMBLY	6 Cyl. exc. XU1 Eng.		7429519	6
	ROD ASSEMBLY	XU1 Eng.		9932211	6
0.616	BEARING SET, BEARING UNIT, BEARING – Connecting rod				
	BEARING SET - Standard	1160, 70, 1300 Eng.		7152490	1
	BEARING SET - .010" U/S	1160, 70, 1300 Eng.		7152491	1
	BEARING SET - .020" U/S	1160, 70, 1300 Eng.		7152492	1
	BEARING UNIT - Standard	1160, 70, 1300 Eng.		M35804	4
	BEARING SET - Standard	1600, 1760 Eng.		7217186	1
	BEARING SET - .010" U/S	1600, 1760 Eng.		7217187	1
	BEARING SET - .020" U/S	1600, 1760 Eng.		7217188	1
	BEARING SET - .040" U/S	1600, 1760 Eng.		7217189	1
	BEARING SET - Standard	6 Cyl. exc. XU1 Eng.		7430450	1
	BEARING SET - .001" U/S	6 Cyl. exc. XU1 Eng.		7430451	1
	BEARING SET - .002" U/S	6 Cyl. exc. XU1 Eng.		7430452	1
	BEARING SET - .010" U/S	6 Cyl. exc. XU1 Eng.		7430453	1
	BEARING SET - .020" U/S	6 Cyl. exc. XU1 Eng.		7430454	1
	BEARING UNIT - Standard	6 Cyl. exc. XU1 Eng.		7430444	6
	BEARING UNIT - .001" U/S	6 Cyl. exc. XU1 Eng.		7430445	6
	BEARING UNIT - .002" U/S	6 Cyl. exc. XU1 Eng.		7430446	6
	BEARING UNIT - .010" U/S	6 Cyl. exc. XU1 Eng.		7430448	6
	BEARING UNIT - .020" U/S	6 Cyl. exc. XU1 Eng.		7430449	6
	BEARING SET - Standard	XU1 Eng.		7429376	1
	BEARING SET - .001" U/S	XU1 Eng.		7429729	1
	BEARING SET - .010" U/S	XU1 Eng.		7429119	1
	BEARING SET - .020" U/S	XU1 Eng.		7429120	1
	BEARING UNIT - Standard	XU1 Eng.		7429377	6
	BEARING UNIT - .001" U/S	XU1 Eng.		7429728	6
	BEARING UNIT - .010" U/S	XU1 Eng.		7429117	6

HOLDEN "LJ" PARTS CATALOGUE

GROUP	DESCRIPTION	MODEL	SIDE	PART No.	QTY.
0.623	BOLT – Connecting rod				
	BOLT	1160, 70, 1300 Eng.		6366736	8
	BOLT	1600, 1760 Eng.		7201067	8
	BOLT	6 Cyl. exc. XU1 Eng.		7420086	12
	BOLT	XU1 Eng.		7434726	12
0.626	NUT – Connecting rod bolt				
	NUT	6 Cyl. exc. XU1 Eng.		6255523	12
	NUT	XU1 Eng.		3784834	12
0.629	PISTON AND PIN				
	PISTON SET – .005" O/S	1160, 70 Eng.		(¹⁴ 2680607	1
	PISTON ASSY. – .020" O/S	1160, 70 Eng.		(¹⁴ 9961792	4
	PISTON ASSY. – .040" O/S	1160, 70 Eng.		(¹⁴ 9961793	4
	PISTON ASSY. – .005" O/S	1160, 70 Eng.		(¹²⁶ 8816667	4
	PISTON ASSY. – .020" O/S	1160, 70 Eng.		(¹²⁶ 8816668	4
	PISTON ASSY. – .040" O/S	1160, 70 Eng.		(¹²⁶ 8816669	4
	PISTON & PIN SET – .005" O/S	1300 Eng. 8.5:1 C.R.		(¹⁴ 2702477	1
	PISTON & PIN ASSY. – Standard	1300 Eng. 8.5:1 C.R.		(¹⁴ 9961794	4
	PISTON & PIN ASSY. – .005" O/S	1300 Eng. 8.5:1 C.R.		(¹⁴ 9961795	4
	PISTON & PIN ASSY. – .020" O/S	1300 Eng. 8.5:1 C.R.		(¹⁴ 9961796	4
	PISTON & PIN ASSY. – .040" O/S	1300 Eng. 8.5:1 C.R.		(¹⁴ 9961797	4
	PISTON & PIN ASSY. – .005" O/S	1300 Eng. 8.5:1 C.R.		(¹²⁶ 2707769	4
	PISTON & PIN ASSY. – .020" O/S	1300 Eng. 8.5:1 C.R.		(¹²⁶ 2707770	4
	PISTON & PIN SET – .005" O/S	1600 Eng.		(¹⁴ 2698298	1
	PISTON & PIN SET – .020" O/S	1600 Eng.		(¹⁴ 2698299	1
	PISTON & PIN SET – .040" O/S	1600 Eng.		(¹⁴ 2698300	1
	PISTON & PIN ASSY. – Standard	1600 Eng.		(¹⁴ 9961802	4
	PISTON & PIN ASSY. – .005" O/S	1600 Eng.		8822632	4
	PISTON & PIN ASSY. – .020" O/S	1600 Eng.		8822633	4
	PISTON & PIN ASSY. – .040" O/S	1600 Eng.		8822634	4
	PISTON & PIN ASSY. – Standard	1760 Eng.		(¹⁴ 9961822	4
	PISTON & PIN ASSY. – .005" O/S	1760 Eng.		(¹⁴ 9961823	4
	PISTON & PIN ASSY. – .020" O/S	1760 Eng.		(¹⁴ 9961824	4
	PISTON & PIN ASSY. – .040" O/S	1760 Eng.		(¹⁴ 9961825	4
	PISTON & PIN ASSY. – .005" O/S	1760 Eng.		(¹²⁶ 2706402	4
	PISTON & PIN ASSY. – .020" O/S	1760 Eng.		(¹²⁶ 2706403	4
	PISTON & PIN ASSY. – .040" O/S	1760 Eng.		(¹²⁶ 2706404	4
	PISTON & PIN ASSY. – Standard	2250 Eng.		2813401	6
	PISTON & PIN ASSY. – Standard, high limit	2250 Eng.		2813402	6
	PISTON & PIN ASSY. – .001" O/S	2250 Eng.		2813403	6
	PISTON & PIN ASSY. – .002" O/S	2250 Eng.		2813404	6
	PISTON & PIN ASSY. – .020" O/S	2250 Eng.		2813405	6
	PISTON & PIN ASSY. – .030" O/S	2250 Eng.		2813406	6
	PISTON & PIN ASSY. – .040" O/S	2250 Eng.		2813407	6
	PISTON & PIN ASSY. – Standard	2850 Eng. 8.3:1 C.R.		2819526	6
	PISTON & PIN ASSY. – Standard, high limit	2850 Eng. 8.3:1 C.R.		2819527	6
	PISTON & PIN ASSY. – .001" O/S	2850 Eng. 8.3:1 C.R.		2819528	6
	PISTON & PIN ASSY. – .002" O/S	2850 Eng. 8.3:1 C.R.		2819529	6
	PISTON & PIN ASSY. – .020" O/S	2850 Eng. 8.3:1 C.R.		2819530	6
	PISTON & PIN ASSY. – .030" O/S	2850 Eng. 8.3:1 C.R.		2819531	6
	PISTON & PIN ASSY. – .040" O/S	2850 Eng. 8.3:1 C.R.		2819532	6
	PISTON & PIN ASSY. – Standard	2850 Eng. 9.4:1 C.R.		2819519	6
	PISTON & PIN ASSY. – Standard, high limit	2850 Eng. 9.4:1 C.R.		2819520	6
	PISTON & PIN ASSY. – .001" O/S	2850 Eng. 9.4:1 C.R.		2819521	6
	PISTON & PIN ASSY. – .002" O/S	2850 Eng. 9.4:1 C.R.		2819522	6
	PISTON & PIN ASSY. – .020" O/S	2850 Eng. 9.4:1 C.R.		2819523	6
	PISTON & PIN ASSY. – .030" O/S	2850 Eng. 9.4:1 C.R.		2819524	6
	PISTON & PIN ASSY. – .040" O/S	2850 Eng. 9.4:1 C.R.		2819525	6
	PISTON & PIN ASSY. – Standard	3300 exc. XU1 Eng. 7.8:1 C.R.		2819512	6
	PISTON & PIN ASSY. – Standard, high limit	3300 exc. XU1 Eng. 7.8:1 C.R.		2819513	6
	PISTON & PIN ASSY. – .001" O/S	3300 exc. XU1 Eng. 7.8:1 C.R.		2819514	6

Note: (¹⁴ Includes piston rings.
(¹²⁶ Does not include rings.

HOLDEN "LJ" PARTS CATALOGUE

GROUP	DESCRIPTION	MODEL	SIDE	PART No.	QTY.
0.629	PISTON AND PIN (contd.)				
	PISTON & PIN ASSY. - .002" O/S	3300 exc. XU1 Eng. 7.8:1 C.R.		2819515	6
	PISTON & PIN ASSY. - .020" O/S	3300 exc. XU1 Eng. 7.8:1 C.R.		2819516	6
	PISTON & PIN ASSY. - .030" O/S	3300 exc. XU1 Eng. 7.8:1 C.R.		2819517	6
	PISTON & PIN ASSY. - .040" O/S	3300 exc. XU1 Eng. 7.8:1 C.R.		2819518	6
	PISTON & PIN ASSY. - Standard	3300 exc. XU1 Eng. 9.4:1 C.R.		2819505	6
	PISTON & PIN ASSY. - Standard, high limit	3300 exc. XU1 Eng. 9.4:1 C.R.		2819506	6
	PISTON & PIN ASSY. - .001" O/S	3300 exc. XU1 Eng. 9.4:1 C.R.		2819507	6
	PISTON & PIN ASSY. - .002" O/S	3300 exc. XU1 Eng. 9.4:1 C.R.		2819508	6
	PISTON & PIN ASSY. - .020" O/S	3300 exc. XU1 Eng. 9.4:1 C.R.		2819509	6
	PISTON & PIN ASSY. - .030" O/S	3300 exc. XU1 Eng. 9.4:1 C.R.		2819510	6
	PISTON & PIN ASSY. - .040" O/S	3300 exc. XU1 Eng. 9.4:1 C.R.		2819511	6
	PISTON & PIN ASSY. - Standard, high limit, Regular	XU1 Eng.		2825761	6
	PISTON & PIN ASSY. - .001" O/S, Regular	XU1 Eng.		2825762	6
	PISTON & PIN ASSY. - .002" O/S, Regular	XU1 Eng.		2825763	6
	PISTON & PIN ASSY. - Standard, Heavy Duty	XU1 Eng.		9931326	6
	PISTON & PIN ASSY. - Standard, high limit, Heavy Duty	XU1 Eng.		9931327	6
	PISTON & PIN ASSY. - .002" O/S, Heavy Duty	XU1 Eng.		9931329	6
	PISTON & PIN ASSY. - .020" O/S, Heavy Duty	XU1 Eng.		9931330	6
	PISTON & PIN ASSY. - .030" O/S, Heavy Duty	XU1 Eng.		9931331	6
	PISTON & PIN ASSY. - .040" O/S, Heavy Duty	XU1 Eng.		9931332	6
0.636	PIN - Piston				
	PIN	1160, 70, 1300 Eng.		7176861	4
	PIN	1600, 1760 Eng.		7199170	4
	PIN	6 Cyl. Eng.		7421214	6
0.643	RING SET - Piston				
	RING SET - Oil control, Standard	1160, 70 Eng.		7214476	1
	RING - Scraper, Standard	1160, 70 Eng.		7213251	4
	RING - No. 1 groove, .005" O/S	1160, 70 Eng.		7213392	4
	RING - Scraper, .005" O/S	1160, 70 Eng.		7213398	4
	RING - Scraper, .040" O/S	1160, 70 Eng.		7213400	4
	RING SET - .005" O/S	1300 Eng.		9968761	4
	RING SET - .020" O/S	1300 Eng.		9928762	4
	RING SET - .040" O/S	1300 Eng.		9928763	4
	RING PACK - Standard	1600, 1760 Eng.		9968764	4
	RING PACK - .005" O/S	1600, 1760 Eng.		9968765	4
	RING PACK - .020" O/S	1600, 1760 Eng.		9968766	4
	RING PACK - .040" O/S	1600, 1760 Eng.		9968767	4
	RING SET - Standard	2250 Eng.		2822025	1
	RING SET - .020" O/S	2250 Eng.		2822026	1
	RING SET - .030" O/S	2250 Eng.		2822027	1
	RING SET - .040" O/S	2250 Eng.		2822028	1
	RING SET - Standard	2850 Eng.		2819098	1
	RING SET - .020" O/S	2850 Eng.		2819099	1
	RING SET - .030" O/S	2850 Eng.		2819100	1
	RING SET - .040" O/S	2850 Eng.		2819101	1
	RING SET - Standard	3300 Eng.		2819696	1
	RING SET - .020" O/S	3300 Eng.		2819697	1
	RING SET - .030" O/S	3300 Eng.		2819698	1
	RING SET - .040" O/S	3300 Eng.		2819699	1
0.646	CRANKSHAFT				
	CRANKSHAFT ASSY.	1160, 70, 1300 Eng.		7180743	1
	CRANKSHAFT ASSY.	(M) 1600 Eng.		2684858	1
	CRANKSHAFT ASSY.	(A) 1600 Eng.		8831977	1
	CRANKSHAFT ASSY.	(M) 1760 Eng.		2684918	1
	CRANKSHAFT ASSY.	(A) 1760 Eng.		2684923	1
	CRANKSHAFT ASSY.	(M) 2250, 2850 Eng.		7434301	1
	CRANKSHAFT ASSY.	(A) 2250, 2850 Eng.		7431327	1
	CRANKSHAFT ASSY.	(M) 3300 Eng.		2811354	1
	CRANKSHAFT ASSY.	(A) 3300 Eng.		2811370	1

HOLDEN "LJ" PARTS CATALOGUE

GROUP	DESCRIPTION	MODEL	SIDE	PART No.	QTY.
0.649	BEARING, SLEEVE – Crankshaft clutch pilot				
	BEARING	(M) 1160, 70, 1300 Eng.		8849939	1
	BEARING	(M) 1600, 1760 Eng.		2684857	1
	BEARING	(M) 6 Cyl. Eng.		412562	1
0.649	BEARING, SLEEVE – Crankshaft converter pilot				
	BEARING	(A) 70, 1300 Eng.		8839096	1
	SLEEVE	(A) 6 Cyl. Eng.		7420798	1
0.659	PULLEY, DAMPER – Crankshaft				
	PULLEY ASSY.	1160, 70, 1300 Eng.		7154454	1
	WASHER – Pulley to crankshaft	1160, 70, 1300 Eng.		6366867	1
	PULLEY – Camshaft & aux. shaft drive	1600, 1760 Eng.		7201108	1
	FLANGE – Camshaft & aux. shaft pulley	1600, 1760 Eng.		7201110	1
	PULLEY – Fan & generator drive	1600, 1760 Eng.		8813373	1
	FLANGE – Crankshaft pulley (Use with 8813373)	1600, 1760 Eng.		8835155	1
	WASHER – Fan & generator pulley	1600, 1760 Eng.		7204076	1
	DAMPER ASSY.	6 Cyl. Eng.		7434224	1
	RETAINER – Crankshaft torsional damper	XU1 Eng.		⁽⁹⁰⁾ 9934039	1
	BOLT – Damper retainer	XU1 Eng.		⁽⁹⁰⁾ SP2523	3
0.662	BOLT - Crankshaft pulley				
	BOLT – Pulley to crankshaft	1600, 1760 Eng.		2707822	1
0.666	FLYWHEEL and RING GEAR				
	FLYWHEEL & RING GEAR ASSY.	(M) 1160, 70 Eng.		8831746	1
	FLYWHEEL & RING GEAR ASSY.	(M) 1300 up to Engine No. 1153839		8831746	1
	FLYWHEEL & RING GEAR ASSY.	(M) 1300 from Engine No. 1153840		9961129	1
	FLYWHEEL & RING GEAR ASSY.	(A) 70, 1300 Eng.		2694797	1
	FLYWHEEL & RING GEAR ASSY.	(M) 1600, 1760 Eng.		7199399	1
	FLYWHEEL & RING GEAR ASSY.	(A) 1600 Eng.		8831975	1
	FLYWHEEL & RING GEAR ASSY.	(A) 1760 Eng.		2692665	1
	FLYWHEEL & RING GEAR ASSY.	(M) 6 Cyl. exc. XU1 Eng.		7420114	1
	FLYWHEEL & RING GEAR ASSY.	(A) 6 Cyl. Eng.		7420311	1
	FLYWHEEL & RING GEAR ASSY.	XU1 Eng.		⁽⁸⁹⁾ 7420114	1
	FLYWHEEL & RING GEAR ASSY.	XU1 Eng.		⁽⁹⁰⁾ 9929634	1
	PIN – Slotted spring 1/4" x 1 1/16"	XU1 Eng.		⁽⁹⁰⁾ 273939	1
0.669	BOLT, DOWEL, PLATE – Flywheel to crankshaft				
	BOLT	1160, 70, 1300 Eng.		6376131	4
	DOWEL	(M) 1160, 70, 1300 Eng.		7159971	1
	SPACER	(A) 70, 1300 Eng.		2681480	1
	BOLT	(M) 1600, 1760 Eng.		7099125	6
	BOLT	(A) 1600, 1760 Eng.		8835211	6
	DOWEL	1600, 1760 Eng.		345423	2
	PLATE – Distance	(A) 1600, 1760 Eng.		7217465	2
	BOLT	(M) 6 Cyl. Eng.		7420118	6
	BOLT	(A) 6 Cyl. Eng.		7420312	6
0.673	GEAR – Flywheel ring				
	GEAR	(M) 1160, 70, 1300 Eng.		6366873	1
	GEAR	(M) 1600, 1760 Eng.		7199398	1
	GEAR	(M) 6 Cyl. Eng.		7431533	1
0.679	COVER – Clutch and transmission case, converter housing				
	COVER ASSY. – Clutch, front	(M) 1160, 70, 1300 Eng.		7199108	1
	COVER ASSY. – Converter, lower	(A) 70, 1300 Eng.		2811372	1
	COVER – Converter, upper	(A) 70, 1300 Eng.		8829337	1
	COVER – Clutch, front	(M) 1600, 1760 Eng.		7216014	1
	COVER – Converter, front	(A) 1600, 1760 Eng.		8834034	1

Note: ⁽⁸⁹⁾ Up to Eng No. JP386597.
⁽⁹⁰⁾ From Eng. No. JP386598.

HOLDEN "LJ" PARTS CATALOGUE

GROUP	DESCRIPTION	MODEL	SIDE	PART No.	QTY.
0.679	COVER – Clutch and transmission case, converter housing (contd.)				
	BOLT ASSEMBLY – Cover to housing	(A) 1600, 1760 Eng.		9905678	4
	COVER ASSY. – Clutch, upper	(M) 6 Cyl. Eng.		7420128	1
	COVER ASSY. – Clutch, lower	(M) 6 Cyl. Eng.		7430096	1
	BOLT & LOCK WASHER ASSY.	(M) 6 Cyl. Eng.		SP1672	4
	COVER ASSY. – Converter, upper	(A) 6 Cyl. Eng.		7420128	1
	COVER ASSY. – Converter, lower	(A) 6 Cyl. Eng.		7439693	1
	BOLT & LOCK WASHER ASSY.	(A) 6 Cyl. Eng.		SP1672	4
0.683	HOUSING – Clutch, converter				
	HOUSING – Converter	(A) 70, 1300 Eng.		5258272	1
	HOUSING – Converter	(A) 1600, 1760 Eng.		5258273	1
	SEAL – Housing	(A) 4 Cyl. Eng.		8625571	1
	BUSHING – Housing	(A) 4 Cyl. Eng.		5258125	1
	DISTANCE PIECE – Starter motor to converter housing	(A) 4 Cyl. exc. 1760 Eng.		2693409	1
	BOLT – Hex. hd. flanged $\frac{5}{16}$ " – 18 x 1 $\frac{5}{8}$ " housing & oil pump to trans. case	(A) 4 Cyl. Eng.		9427182	7
	WASHER – Housing to transmission	(A) 4 Cyl. Eng.		7436448	7
	WASHER – Housing to oil pump	(A) 4 Cyl. Eng.		7436448	5
	HOUSING – Clutch	(M) 1600, 1760 Eng.		8838238	1
	DOWEL – Housing to cylinder block	(M) 1600, 1760 Eng.		7140021	2
	HOUSING – Clutch	(M) 6 Cyl. Eng. 3 Speed Trans.		7435393	1
	HOUSING – Clutch	(M) 6 Cyl. Eng. 4 Speed Trans.			
		RIGHT HAND DRIVE		7435393	
		LEFT HAND DRIVE		7435394	1
	PIN – Dowel	(M) 6 Cyl. Eng.		7401304	2
	PIN – Dowel – Oversize	(M) 6 Cyl. Eng.		7406004	2
	HOUSING – Converter	(A) 6 Cyl. Eng.		5258275	1
	SEAL – Housing	(A) 6 Cyl. Eng.		8625571	1
	BUSHING – Housing	(A) 6 Cyl. Eng.		2814738	1
	BOLT – Hex. hd. flanged $\frac{5}{16}$ " – 18 x 1 $\frac{5}{8}$ " housing & oil pump trans. case	(A) 6 Cyl. Eng.		9427658	7
	WASHER – Housing to transmission	(A) 6 Cyl. Eng.		7436448	7
	WASHER – Housing to oil pump	(A) 6 Cyl. Eng.		7436448	5
	PIN – Dowel	(A) 6 Cyl. Eng.		7401304	2
	PIN – Dowel – Oversize	(A) 6 Cyl. Eng.		7406004	2
0.686	COVER – Clutch fork slot				
	COVER	(M) 1160, 70, 1300 Eng.		8813961	1
	NUT	(M) 1160, 70, 1300 Eng.		6380665	1
	COVER	(M) 1600, 1760 Eng.		2714016	1
0.686	BOOT – Starter motor pinion				
	BOOT	(M) 1160, 70, 1300 Eng.		6396404	1
0.724	CHAIN, BELT – Camshaft timing				
	CHAIN	1160, 70, 1300 Eng.		6366743	1
	BELT	1600, 1760 Eng.		8813277	1
0.726	COMPONENTS TIMING CHAIN TENSIONER				
	BODY	1160, 70, 1300 Eng.		2710734	1
	CAP – Sealing	1160, 70, 1300 Eng.		8847861	1
	HEAD ASSEMBLY – Plunger and slipper	1160, 70, 1300 Eng.		8847859	1
0.728	GEAR – Crankshaft				
	GEAR	1160, 70, 1300 Eng.		6366717	1
	GEAR	6 Cyl. Eng.		7420025	1

HOLDEN "LJ" PARTS CATALOGUE

GROUP	DESCRIPTION	MODEL	SIDE	PART No.	QTY.
0.730	DOWEL – Camshaft gear				
	DOWEL	1160, 70, 1300 Eng.		7159673	1
0.736	GEAR KIT, GEAR, PULLEY – Camshaft				
	GEAR	1160, 70, 1300 Eng.		7206452	1
	WASHER	1160, 70, 1300 Eng.		6366867	1
	PULLEY – Camshaft	1600, 1760 Eng.		7201069	1
	WASHER – Camshaft	1600, 1760 Eng.		6366867	1
	GEAR KIT	6 Cyl. exc. XU1 Eng.		7431746	1
	GEAR	6 Cyl. exc. XU1 Eng.		7430922	1
	GEAR	XU1 Eng.		2822456	1
0.736	PULLEY – Auxiliary shaft				
	PULLEY ASSEMBLY - Auxiliary shaft	1600, 1760 Eng.		7201069	1
	WASHER – Auxiliary shaft thrust	1600, 1760 Eng.		7199458	1
	PIN – Slotted spring, 1/8" x 3/8"	1600, 1760 Eng.		455919	1
0.738	RING – Camshaft gear spacing				
	RING	6 Cyl. Eng.		7420026	1
0.748	NOZZLE – Timing gear oil				
	NOZZLE ASSY.	1160, 70, 1300 Eng.		7184239	1
	SPRING – Oil nozzle	1160, 70, 1300 Eng.		7184241	1
	NOZZLE	6 Cyl. Eng.		7427418	1
0.787	CABLE, ROD, ANCHOR, INSULATOR, PAD, CLIP – Clutch control				
	CABLE ASSY.	(M) 1160, 70, 1300 Eng.		2820864 (2812320)	1
	CLEVIS	(M) 1160, 70, 1300 Eng.		7192209	1
	PIN	(M) 1160, 70, 1300 Eng.		1025707	1
	BEARING	(M) 1160, 70, 1300 Eng.		7192216	2
	WASHER – Clevis pin	(M) 1160, 70, 1300 Eng.		6385756	1
	WASHER – Flat	(M) 1160, 70, 1300 Eng.		6375361	2
	NUT – Cable anchor	(M) 1160, 70, 1300 Eng.		6375327	1
	NUT – Cable adjusting	(M) 1160, 70, 1300 Eng.		6378051	1
	CLIP	(M) 1160, 70, 1300 Eng.		7447167	1
	CLIP	(M) 1160, 70, 1300 Eng.		2812319	1
	CABLE ASSEMBLY	(M) 1600, 1760 Eng.		2820864	1
	INSULATOR	(M) 1600, 1760 Eng.		8832382	1
	WASHER	(M) 1600, 1760 Eng.		8832383	1
	PAD – Rubber	(M) 1600, 1760 Eng.		7202138	1
	PAD – Nylon	(M) 1600, 1760 Eng.		7202134	1
	CLIP – Cable to oil pan	(M) 1600, 1760 Eng.		7447167	1
	ROD ASSY.	(M) 6 Cyl. Eng.RIGHT HAND DRIVE		2805945	1
	ANCHOR	(M) 6 Cyl. Eng.RIGHT HAND DRIVE		7433839	1
	CLIP – Anchor to pedal assy.	(M) 6 Cyl. Eng.RIGHT HAND DRIVE		7429228	1
0.795	FORK – Clutch				
	FORK ASSY.	(M) 1160, 70, 1300 Eng.		6376212	1
	FORK ASSY.	(M) 1600, 1760 Eng.		7198120	1
	FORK ASSY.	(M) 6 Cyl. Eng.		7448624	1
0.796	STUD – Clutch fork ball				
	STUD	(M) 1160, 70, 1600, 1760 Eng.		6376216	1
	STUD	1300 up to Eng. No. 1153839		6376216	1
	STUD	1300 from Eng. No. 1153840		9962058	1
	RETAINER – Stud	(M) 1160, 70, 1300 Eng.		7153562	1
	STUD	(M) 6 Cyl. Eng., 3 Speed Trans.		7433895	1
	STUD	(M) 6 Cyl. Eng., 4 Speed Trans.			
		RIGHT HAND DRIVE		7433895	1
		LEFT HAND DRIVE		7430099	1

HOLDEN "LJ" PARTS CATALOGUE

GROUP	DESCRIPTION	MODEL	SIDE	PART No.	QTY.
0.797	SEAL, PLATE – Clutch fork				
	SEAL	(M) 1160, 70 1300 Eng.		6384656	1
	SEAL	(M) 1600, 1760 Eng.		7202139	1
	PLATE - Guide	(M) 6 Cyl. Eng., 3 Speed Trans.		7433793	1
	PLATE - Sliding	(M) 6 Cyl. Eng., 3 Speed Trans.		7433794	1
	PLATE - Guide	(M) 6 Cyl. Eng., 4 Speed Trans.			
		RIGHT HAND DRIVE		7433793	1
		LEFT HAND DRIVE		7434507	1
	PLATE - Sliding	(M) 6 Cyl. Eng., 4 Speed Trans.			
		RIGHT HAND DRIVE		7433794	1
		LEFT HAND DRIVE		7434506	1
0.798	SPRING – Clutch fork sliding plate retaining				
	SPRING	(M) 6 Cyl. Eng.		7433896	1
0.799	BEARING – Clutch throwout				
	BEARING ASSY.	(M) 1160, 70, 1300 Eng.		6376130	1
	BEARING ASSEMBLY	(M) 1600, 1760 Eng.		8827050	1
	BEARING ASSY.	(M) 6 Cyl. Eng.		CT22	1
0.804	GUIDE – Clutch bearing				
	GUIDE	(M) 6 Cyl. Eng., 4 Speed Trans.			
		LEFT HAND DRIVE		668534	1
0.805	GASKET – Clutch bearing guide				
	GASKET	(M) 6 Cyl. Eng., 4 Speed Trans.			
		LEFT HAND DRIVE		668601	1
0.829	STOP – Clutch pedal				
	STOP	(M) 4 Cyl. Eng.		7192223	1
0.830	PEDAL, PAD, BUMPER – Clutch				
	PEDAL ASSY.	(M) 4 Cyl. Eng.		7448463	1
	PEDAL ASSY.	(M) 6 Cyl. Eng.	RIGHT HAND DRIVE	2807102	1
			LEFT HAND DRIVE	2810116	1
	PAD	(M)	RIGHT HAND DRIVE	7202191	1
			LEFT HAND DRIVE	2811586	1
	BUMPER - Clutch pedal	(M) 6 Cyl. Eng.		7431380	1
0.831	BEARING – Clutch pedal				
	BEARING	(M)	RIGHT HAND DRIVE	6368033	2
			LEFT HAND DRIVE	3798256	2
0.833	BRACKET and SHAFT – Clutch pedal				
	BRACKET ASSY.	(M) 4 Cyl. Eng.		7448468	1
	GASKET	(M) 4 Cyl. Eng.		7192224	1
	SPACER	(M) 4 Cyl. Eng.		7216192	1
	BRACKET ASSY.	(M) 6 Cyl. Eng.	RIGHT HAND DRIVE	2823117	1
			LEFT HAND DRIVE	2810114	1
0.837	PIN, SPRING – Clutch pedal retaining				
	PIN	(M) 4 Cyl. Eng.		7186506	1
	SPRING	(M) 6 Cyl. Eng.		7411804	1
0.839	ROD – Clutch lever push				
	ROD	(M) 6 Cyl. Eng.	RIGHT HAND DRIVE	2807114	1
			LEFT HAND DRIVE	7409949	1
	NUT - Adjusting	(M) 6 Cyl. Eng.	RIGHT HAND DRIVE	7429390	1
			LEFT HAND DRIVE	7409950	1

HOLDEN "LJ" PARTS CATALOGUE

GROUP	DESCRIPTION	MODEL	SIDE	PART No.	QTY.
0.844	SPRING – Clutch return				
	SPRING – Clutch fork return	(M) 1160, 70, 1300 Eng.		6376214	1
	SPRING – Clutch fork return	(M) 1600, 1760 Eng.		7202135	1
	SPRING – Clutch over-centre	(M) 6 Cyl. Eng.	RIGHT HAND DRIVE	7434091	1
			LEFT HAND DRIVE	7437043	1
	SPRING – Clutch fork retaining	(M) 6 Cyl. Eng.		7428552	1
	SPRING – Clutch fork return	(M) 6 Cyl. Eng.	RIGHT HAND DRIVE	2807116	1
			LEFT HAND DRIVE	7429766	1
0.846	BRACKET – Clutch fork return spring				
	BRACKET	(M) 1600, 1760 Eng.		7202136	1
	WASHER – Bracket transmission case	(M) 1600, 1760 Eng.		7139224	1
0.847	SHAFT – Clutch over-centre spring				
	SHAFT	(M) 6 Cyl. Eng.	RIGHT HAND DRIVE	7433686	1
			LEFT HAND DRIVE	2810118	1
	CLIP – Shaft	(M) 6 Cyl. Eng.		7429228	1
0.848	YOKE – Clutch over-centre spring				
	YOKE ASSY. – Inner	(M) 6 Cyl. Eng.		7434092	1
	YOKE ASSY. – Outer	(M) 6 Cyl. Eng.		7434127	1
	BEARING – Pivot	(M) 6 Cyl. Eng.		2807106	1
0.852	BRACKET and BUSH, RETAINER, BRACE, LEVER – Clutch relay				
	BRACKET & BUSH ASSY.	(M) 6 Cyl. Eng.	RIGHT HAND DRIVE	7433743	1
	*RETAINER – Lever	(M) 6 Cyl. Eng.	RIGHT HAND DRIVE	7433742	1
	BRACE – Lever	(M) 6 Cyl. Eng.	RIGHT HAND DRIVE	2807113	1
	BRACKET ASSY. – Lever brace	(M) 6 Cyl. Eng.	RIGHT HAND DRIVE	2806845	1
	PIN – Clutch relay lever brace to bracket	(M) 6 Cyl. Eng.	RIGHT HAND DRIVE	7439085	1
	CLIP – Lever brace to bracket	(M) 6 Cyl. Eng.	RIGHT HAND DRIVE	7429228	1
	*LEVER ASSY. – Relay	(M) 6 Cyl. Eng.	RIGHT HAND DRIVE	2807108	1
	CLIP – Rod to relay lever	(M) 6 Cyl. Eng.	RIGHT HAND DRIVE	3749084	1
	ANCHOR	(M) 6 Cyl. Eng.	RIGHT HAND DRIVE	7433839	1
	WASHER – Anti-rattle .39" I.D.	(M) 6 Cyl. Eng.	RIGHT HAND DRIVE	SP1766	3
	SUPPORT ASSY. – Clutch relay & cross shaft to frame	(M) 6 Cyl. Eng.	RIGHT HAND DRIVE	2814366	1
0.861	COVER and PRESSURE PLATE – Clutch				
	COVER & PRESSURE PLATE ASSY. – (Includes diaphragm spring)	(M) 1160, 70 Eng.		8843748	1
	COVER & PRESSURE PLATE ASSY. – (Includes diaphragm spring)	(M) 1300 up to Eng. No. 1054619		8843748	1
	COVER & PRESSURE PLATE ASSY. – (Includes diaphragm spring)	(M) 1300 Eng. No. 1054620-1153839		2708695	1
	COVER & PRESSURE PLATE ASSY. – (Includes diaphragm spring)	(M) 1300 from Eng. No. 1153840		9961123	1
	COVER & PRESSURE PLATE ASSY. – (Includes diaphragm spring)	(M) 1160, 70, 1300 Eng.		2708695	1
	COVER & PRESSURE PLATE ASSY. – (Includes diaphragm spring)	(M) 1600 Eng.		7202351	1
	COVER & PRESSURE PLATE ASSY. – (Includes diaphragm spring)	(M) 1600 Eng.		7211304	1
	COVER & PRESSURE PLATE ASSY. – (Includes diaphragm spring)	(M) 1760 Eng.		2697487	1
	COVER & PRESSURE PLATE ASSY. – (Includes diaphragm spring)	(M) 6 Cyl. exc. XU1 Eng.		2811214	1
	COVER & PRESSURE PLATE ASSY. – (Includes diaphragm spring)	(M) XU1 Eng.		7429381	1

HOLDEN "LJ" PARTS CATALOGUE

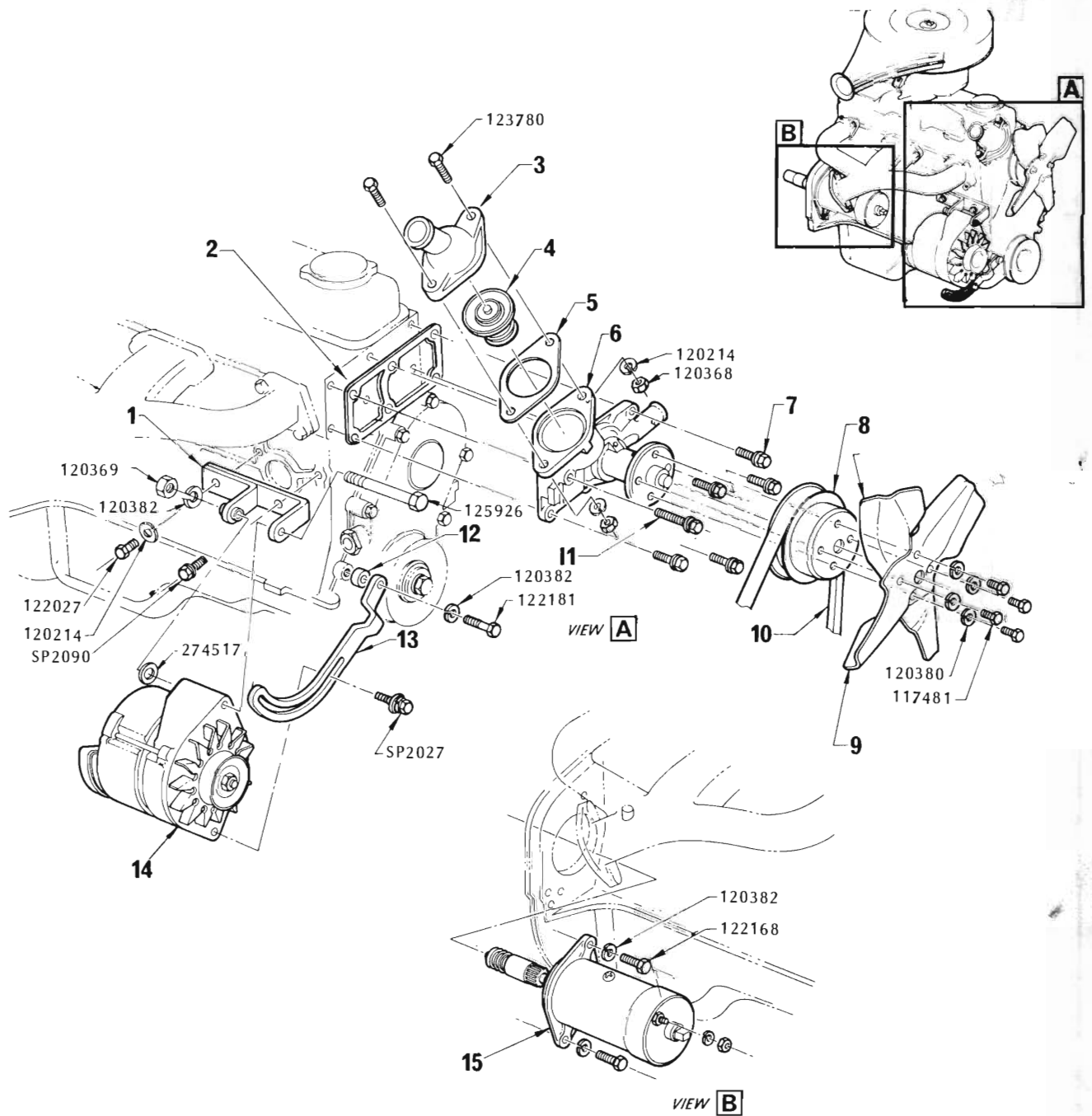
GROUP	DESCRIPTION	MODEL	SIDE	PART No.	QTY.
0.863	PLATE – Clutch pressure				
	PLATE(Laycock)	(M) 1160, 70, 1300 Eng.		2680770	1
	PLATE(Laycock)	(M) 1600 Eng.		2690248	1
0.865	SPRING – Clutch diaphragm				
	SPRING(Laycock)	(M) 1160, 70, 1300 Eng.		2680769	1
	SPRING(Laycock)	(M) 1600 Eng.		2690250	1
0.866	RING – Clutch diaphragm spring retaining				
	RING(Laycock)	(M) 1160, 70, 1300 Eng.		2680771	1
	RING(Laycock)	(M) 1600 Eng.		2690249	1
0.870	BOLT – Clutch to flywheel				
	BOLT	(M) 1160, 70, Eng.		6376215	6
	BOLT	(M) 1300 up to Eng. No. 1153839		6376215	6
	BOLT	(M) 1300 from Eng. No. 1153840		9905549	6
	BOLT	(M) 6 Cyl. Eng.		7402029	4
0.884	RIVET – Clutch facing				
	RIVET(Laycock)	(M) 1160, 70, 1300 Eng.		8815417	21
	RIVET(Borg & Beck)	(M) 1600 Eng.		7074488	18
	RIVET(Laycock)	(M) 1600 Eng.		8815417	24
0.885	FACING – Clutch disc				
	FACING KIT(Laycock)	(M) 1160, 70, 1300 Eng.		2680767	1
	FACING(Laycock)	(M) 1600 Eng.		2690247	2
0.886	PLATE – Clutch driven				
	PLATE ASSEMBLY - 6.5" dia.(Borg & Beck)	(M) 1160, 70, 1300 Eng.		(¹⁹ 2708696	1
	PLATE ASSEMBLY(Borg & Beck)	(M) 1300 up to Eng. No. 1153839		2708696	1
	PLATE ASSEMBLY(Borg & Beck)	(M) 1300 from Eng. No. 1153840		9961122	1
	PLATE ASSEMBLY(Laycock)	(M) 1160, 70, 1300 Eng.		(¹⁹ 2708699	1
	PLATE ASSEMBLY(Borg & Beck)	(M) 1600 Eng.		(¹⁹ 8851026	1
	PLATE ASSEMBLY(Laycock)	(M) 1600 Eng.		(¹⁹ 7211305	1
	PLATE ASSY.	(M) 1760 Eng.		2697489	1
	PLATE ASSEMBLY	(M) 6 Cyl. exc. XU1 Eng.			
		RIGHT HAND DRIVE		2825487	1
	PLATE ASSEMBLY	(M) 3 Speed Trans.LEFT HAND DRIVE		2825487	1
	PLATE ASSEMBLY	(M) 4 Speed Trans.LEFT HAND DRIVE		2825489	1
	PLATE ASSEMBLY	XU1 Eng.		2823892	1
0.902	CYLINDER, BODY, REPAIR KIT – Clutch master cylinder				
	CYLINDER ASSY.	(M)LEFT HAND DRIVE		7433520	1
	BODY	(M)LEFT HAND DRIVE		7433521	1
	REPAIR KIT - With piston	(M)LEFT HAND DRIVE		7436183	1
	REPAIR KIT - Less piston	(M)LEFT HAND DRIVE		7436184	1
0.904	SEAL – Reservoir to clutch master cylinder				
	SEAL	(M)LEFT HAND DRIVE		7429828	1
0.906	RESERVOIR – Clutch master cylinder				
	RESERVOIR	(M)LEFT HAND DRIVE		7436154	1
0.907	CAP – Clutch master cylinder reservoir				
	CAP	(M)LEFT HAND DRIVE		7426554	1
0.910	PISTON – Clutch master cylinder				
	PISTON	(M)LEFT HAND DRIVE		7409929	1

Note: (¹⁹ Borg and Beck type has exposed springs whilst laycock type has fully enclosed springs.

HOLDEN "LJ" PARTS CATALOGUE

GROUP	DESCRIPTION	MODEL	SIDE	PART No.	QTY.
0.911	CUP – Clutch master cylinder piston				
	CUP	(M)	LEFT HAND DRIVE	7404734	1
0.912	CUP – Clutch master cylinder piston secondary				
	CUP	(M)	LEFT HAND DRIVE	7404736	1
0.913	SPRING – Clutch master cylinder				
	SPRING ASSY.	(M)	LEFT HAND DRIVE	7400663	1
0.914	RING – Clutch master cylinder lock				
	RING	(M)	LEFT HAND DRIVE	7400673	1
0.918	ROD – Clutch master cylinder push				
	ROD	(M)	LEFT HAND DRIVE	2810115	1
0.920	CLEVIS – Clutch master cylinder push rod				
	CLEVIS	(M)	LEFT HAND DRIVE	7415761	1
0.921	PIN – Clutch master cylinder push rod clevis				
	PIN – Clevis, .375" x .92"	(M)	LEFT HAND DRIVE	SP1825	1
	WASHER – Clevis pin	(M)	LEFT HAND DRIVE	7411849	1
0.924	SEAL, RETAINER – Clutch master cylinder push rod				
	SEAL – Master cylinder end	(M)	LEFT HAND DRIVE	7433522	1
	SEAL – Pedal end	(M)	LEFT HAND DRIVE	2811302	1
0.929	PIPE, CONNECTOR – Clutch master cylinder				
	PIPE ASSY.	(M)	LEFT HAND DRIVE	7436155	1
	CONNECTOR – Pipe	(M)	LEFT HAND DRIVE	7410766	2
	WASHER – Special	(M)	LEFT HAND DRIVE	7401727	2
	CLIP – Pipe to dash panel	(M)	LEFT HAND DRIVE	SP1795	1
0.934	CYLINDER – Clutch actuating				
	CYLINDER ASSY.	(M)	LEFT HAND DRIVE	7409952	1
	BRACKET – Cylinder	(M)	LEFT HAND DRIVE	7429637	1
0.935	SEAL – Clutch actuating cylinder				
	SEAL	(M)	LEFT HAND DRIVE	7409965	1
0.936	PISTON – Clutch actuating cylinder				
	PISTON	(M)	LEFT HAND DRIVE	7409966	1
0.937	CUP – Clutch actuating cylinder piston				
	CUP	(M)	LEFT HAND DRIVE	7409968	1
0.940	VALVE – Clutch actuating cylinder bleeder				
	VALVE	(M)	LEFT HAND DRIVE	7400169	1

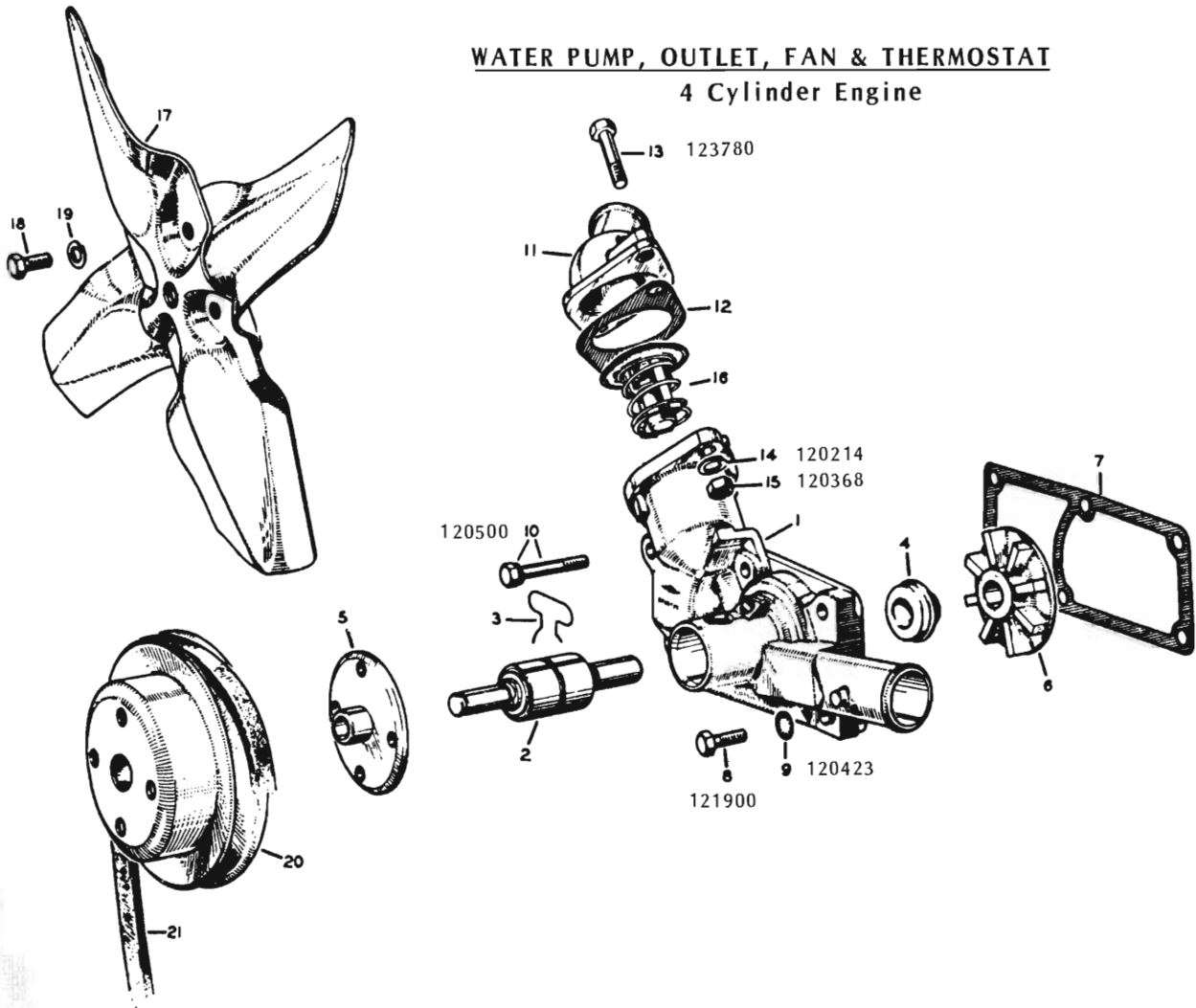
NOTES



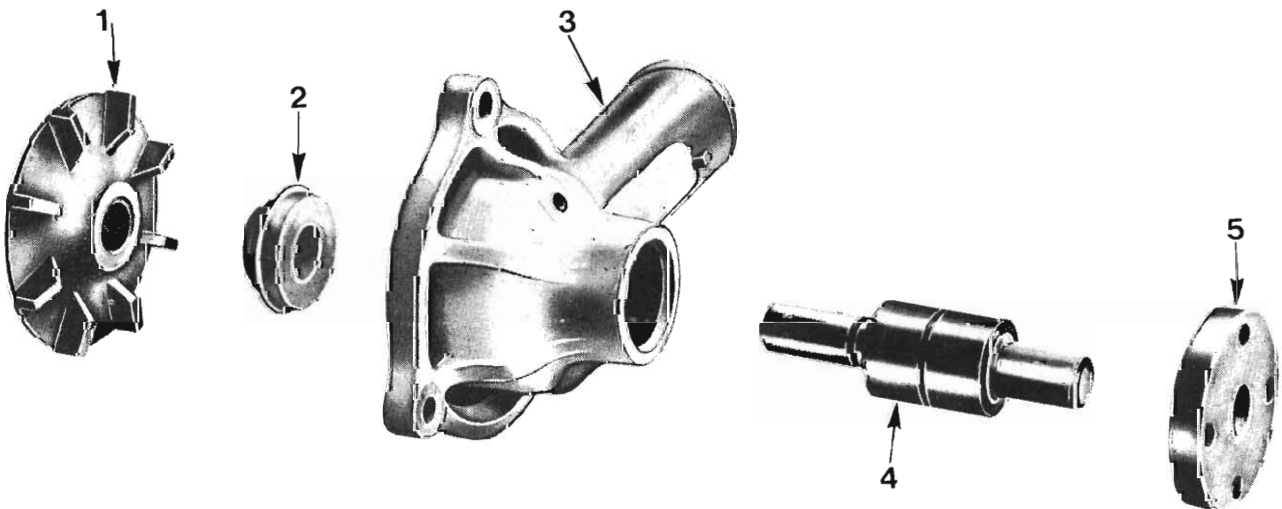
**WATER PUMP
4 Cylinder Engine**

ILLUS. REF. NO.	PART NAME	GROUP	ILLUS. REF. NO.	PART NAME	GROUP
1.	BRACKET ASSY. — Generator mounting	2.277	9.	BLADE ASSY. — Fan	1.064
2.	GASKET — Water pump to engine	1.079	10.	BELT — Fan & generator	1.066
3.	OUTLET — Water pump	1.153	11.	BOLT — Water pump to engine	8.900
4.	THERMOSTAT ASSY.	1.246	12.	SPACER — Generator mounting	2.317
5.	GASKET — Thermostat housing	1.252	13.	BRACE — Generator mounting	2.317
6.	BODY — Water pump	1.073	14.	GENERATOR ASSY.	2.275
7.	BOLT — Water pump to engine	8.900	15.	STARTER MOTOR	2.041
8.	PULLEY — Water pump & fan	1.062			

WATER PUMP, OUTLET, FAN & THERMOSTAT
4 Cylinder Engine



WATER PUMP
6 Cylinder Engine



WATER PUMP, OUTLET, FAN & THERMOSTAT
4 Cylinder Engine

ILLUSTRATION OPPOSITE

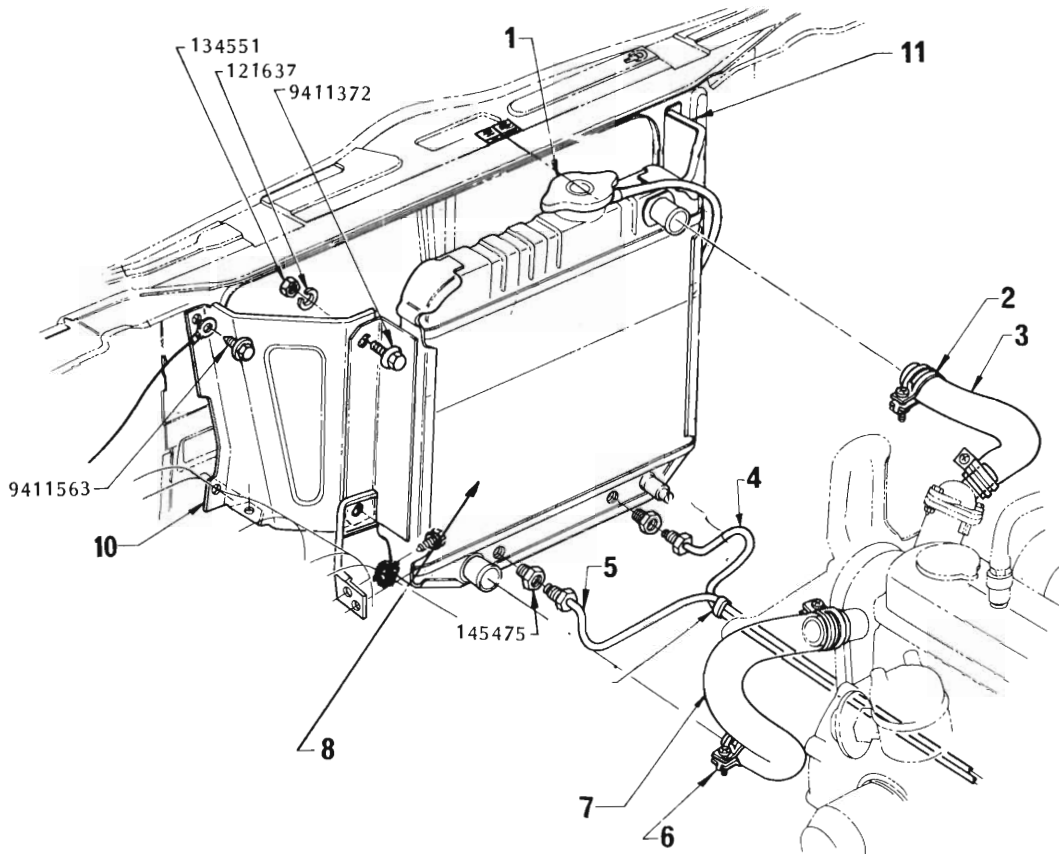
ILLUS. REF. NO.	PART NAME	GROUP
1.	BODY	1.073
2.	SHAFT & BEARING	1.108
3.	RING - Locking	1.112
4.	SEAL	1.123
5.	FLANGE	1.063
6.	ROTOR	1.109
7.	GASKET	1.079
8.	BOLT	8.900
9.	WASHER	8.932
10.	SCREW	8.900
11.	OUTLET	1.153
12.	GASKET	1.154
13.	BOLT	8.900
14.	WASHER	8.931
15.	NUT	8.915
16.	THERMOSTAT	1.246
17.	BLADE	1.064
18.	BOLT	8.900
19.	WASHER	8.931
20.	PULLEY	1.062
21.	BELT	1.066

WATER PUMP
6 Cylinder Engine

ILLUSTRATION OPPOSITE

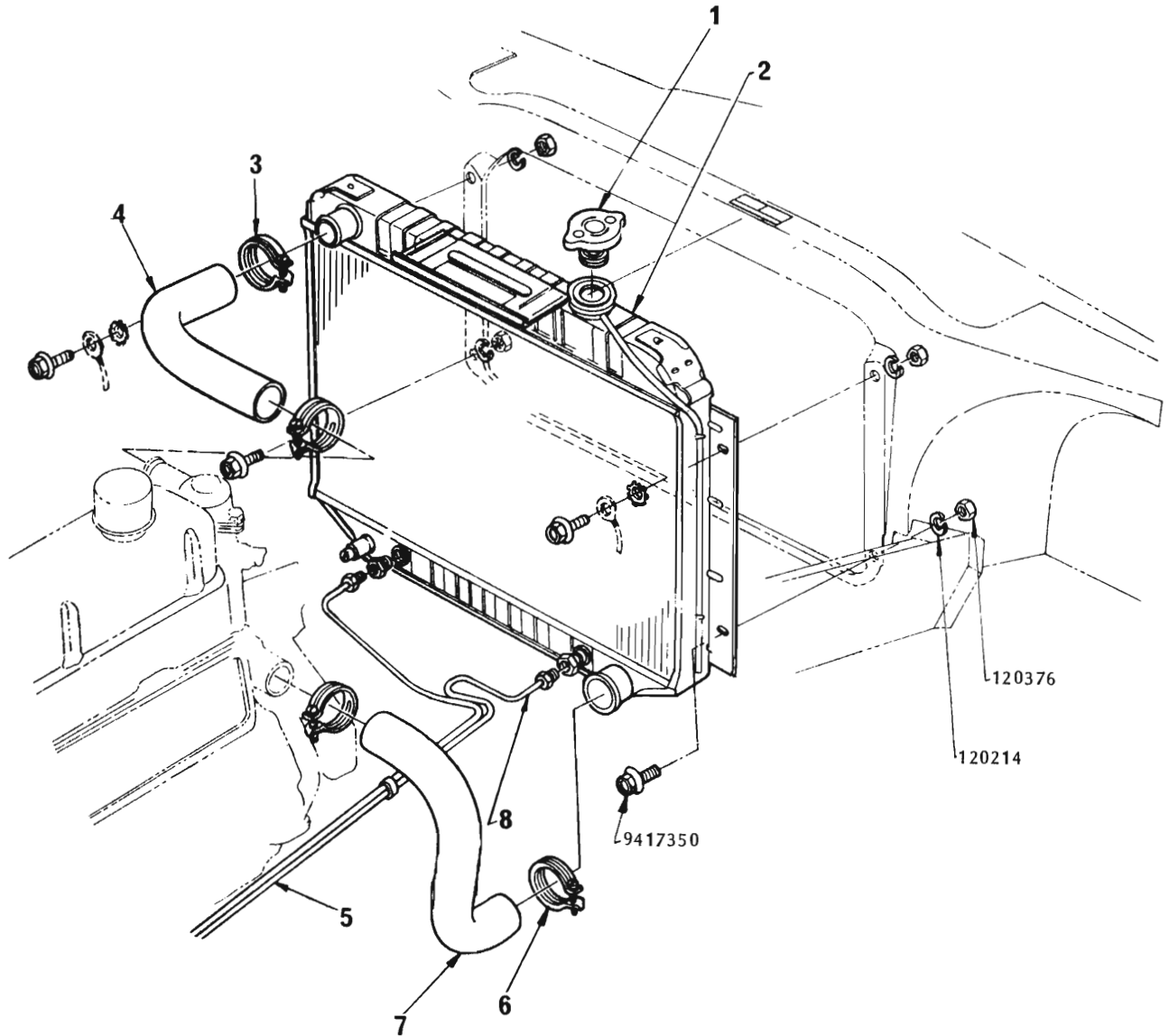
ILLUS. REF. NO.	PART NAME	GROUP
1. (A	ROTOR - Water pump	1.109
2. (A	SEAL ASSY. - Water pump.....	1.123
3.	BODY - Water pump	1.073
4. (A	SHAFT and BEARING ASSY.	1.108
5.	HUB - Water pump and fan pulley	1.063

NOTE: (A Parts included in Repair Kit, refer Group 1.071



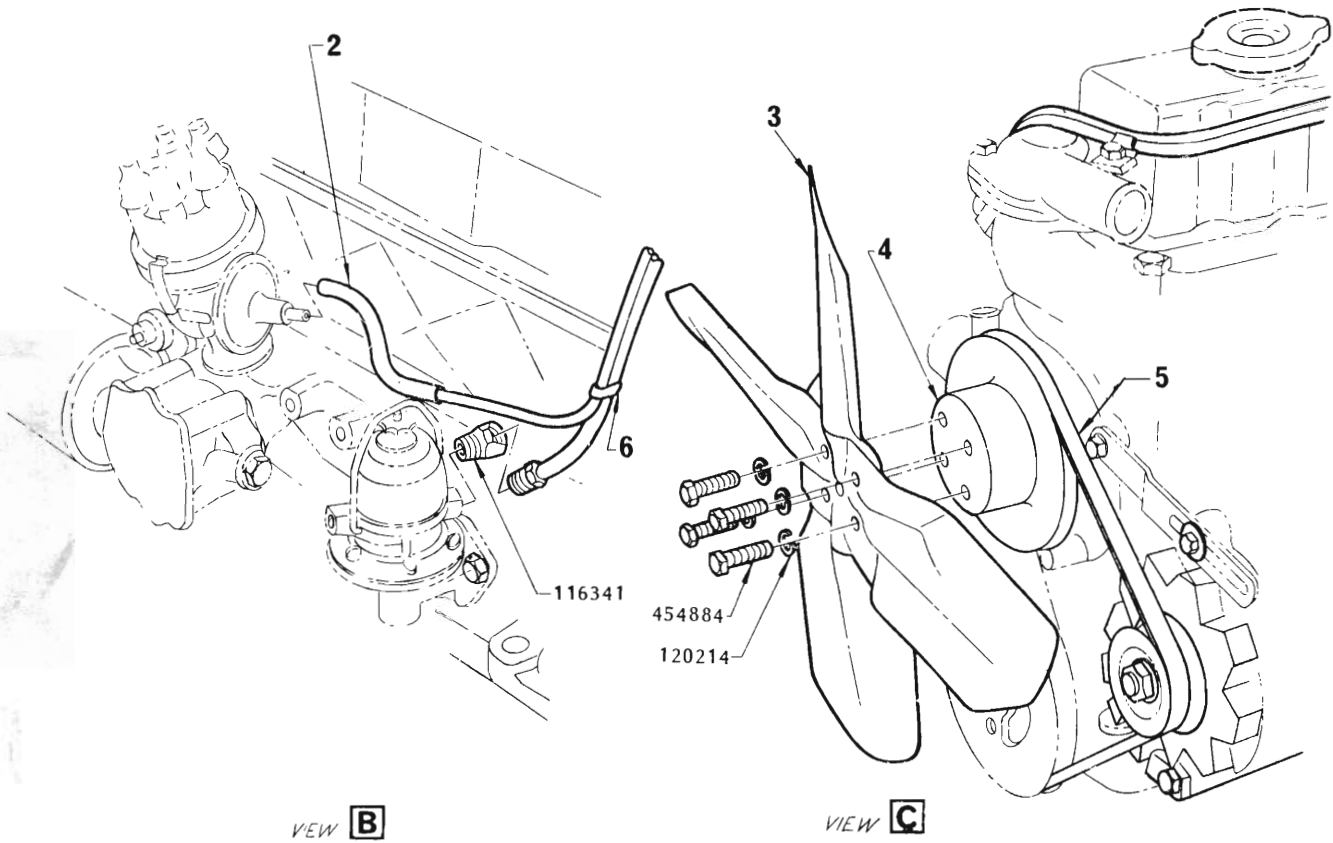
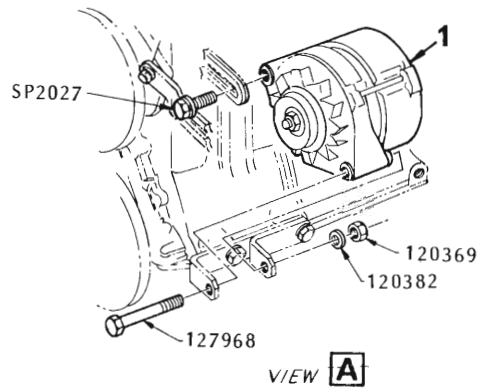
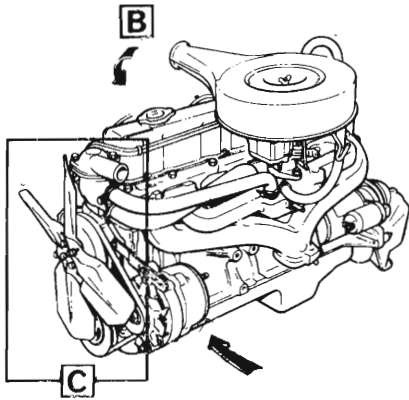
**RADIATOR ASSEMBLY
4 Cylinder Engine**

ILLUS. REF. NO.	PART NAME	GROUP	ILLUS. REF. NO.	PART NAME	GROUP
1.	CAP - Radiator	1.203	7.	HOSE - Outlet	1.159
2.	CLAMP - Hose	1.166	8.	RADIATOR ASSY.	1.219
3.	HOSE - Inlet	1.159	9.	STAY - Radiator mounting	1.270
4.	PIPE ASSY. - Outlet	4.128	10.	BRACKET - Radiator mounting LH	1.270
5.	PIPE ASSY. - Inlet	4.128	11.	BRACKET - Radiator mounting RH	1.270
6.	CLAMP - Hose	1.166			



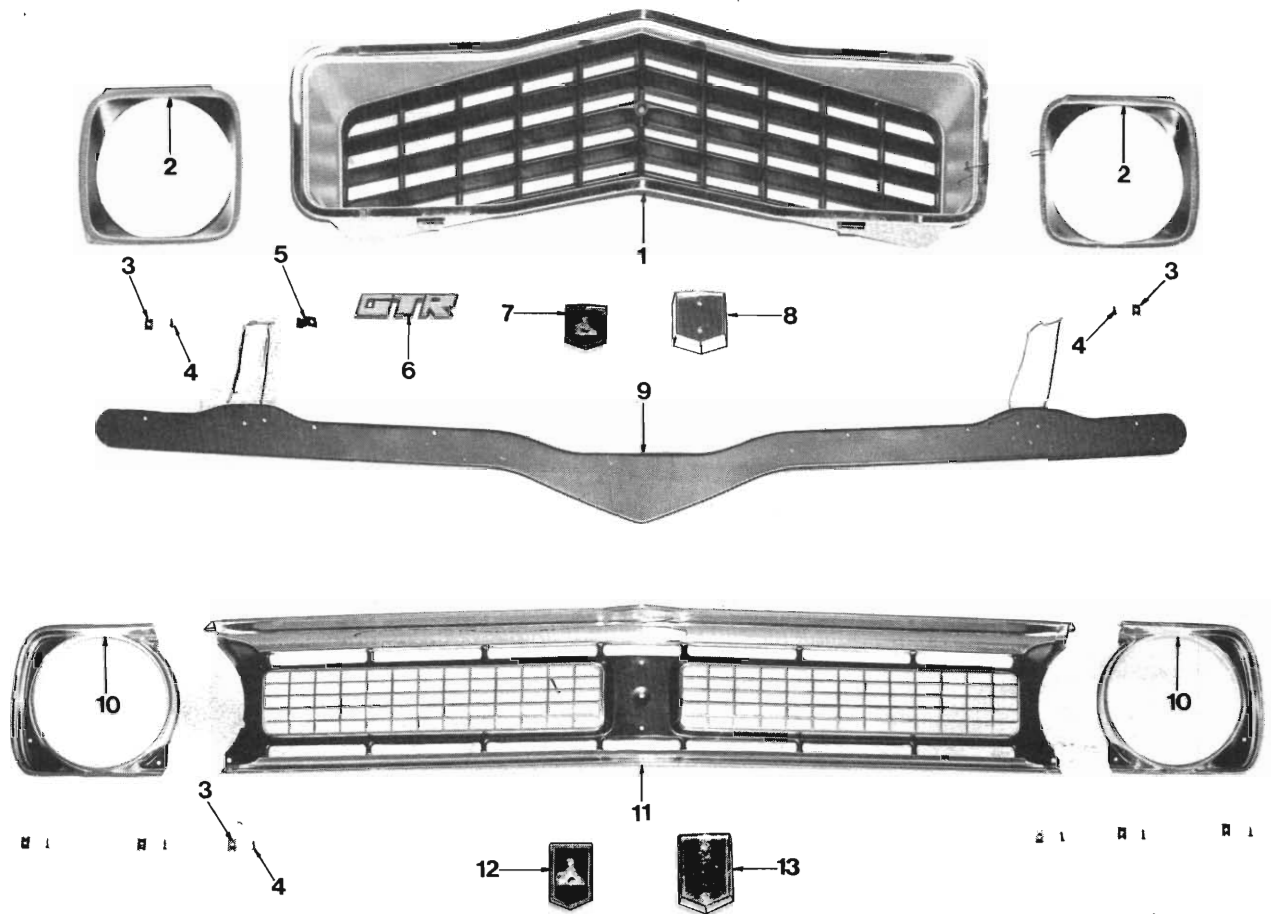
RADIATOR ASSEMBLY
6 Cylinder Engine

ILLUS. REF. NO.	PART NAME	GROUP	ILLUS. REF. NO.	PART NAME	GROUP
1.	CAP - Radiator	1.203	5.	PIPE ASSY. - Inlet	4.128
2.	RADIATOR ASSY.	1.219	6.	CLAMP - Hose	1.166
3.	CLAMP - Hose	1.166	7.	HOSE - Outlet	1.159
4.	HOSE - Inlet	1.159	8.	PIPE ASSY. - Outlet	4.128



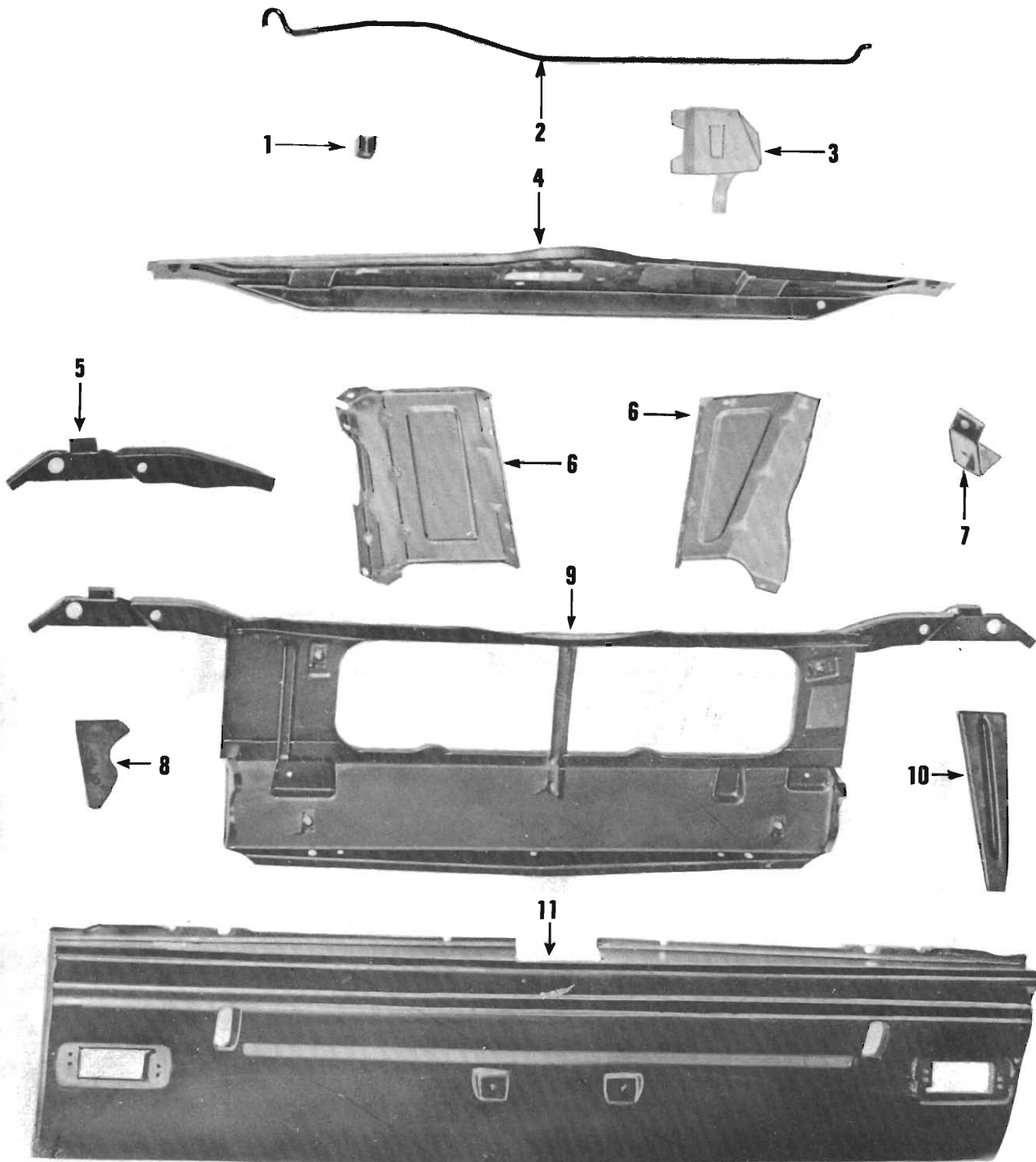
**PULLEY and FAN
6 Cylinder Engine**

ILLUS. REF. NO.	PART NAME	GROUP	ILLUS. REF. NO.	PART NAME	GROUP
1.	GENERATOR ASSY.	2.275	4.	PULLEY - Water pump & fan	1.062
2.	HOSE - Pipe to vacuum control	2.424	5.	BELT - Fan & generator	1.066
3.	BLADE ASSY. - Fan	1.064	6.	CLIP - Fuel pipe to spark control pipe ..	3.202



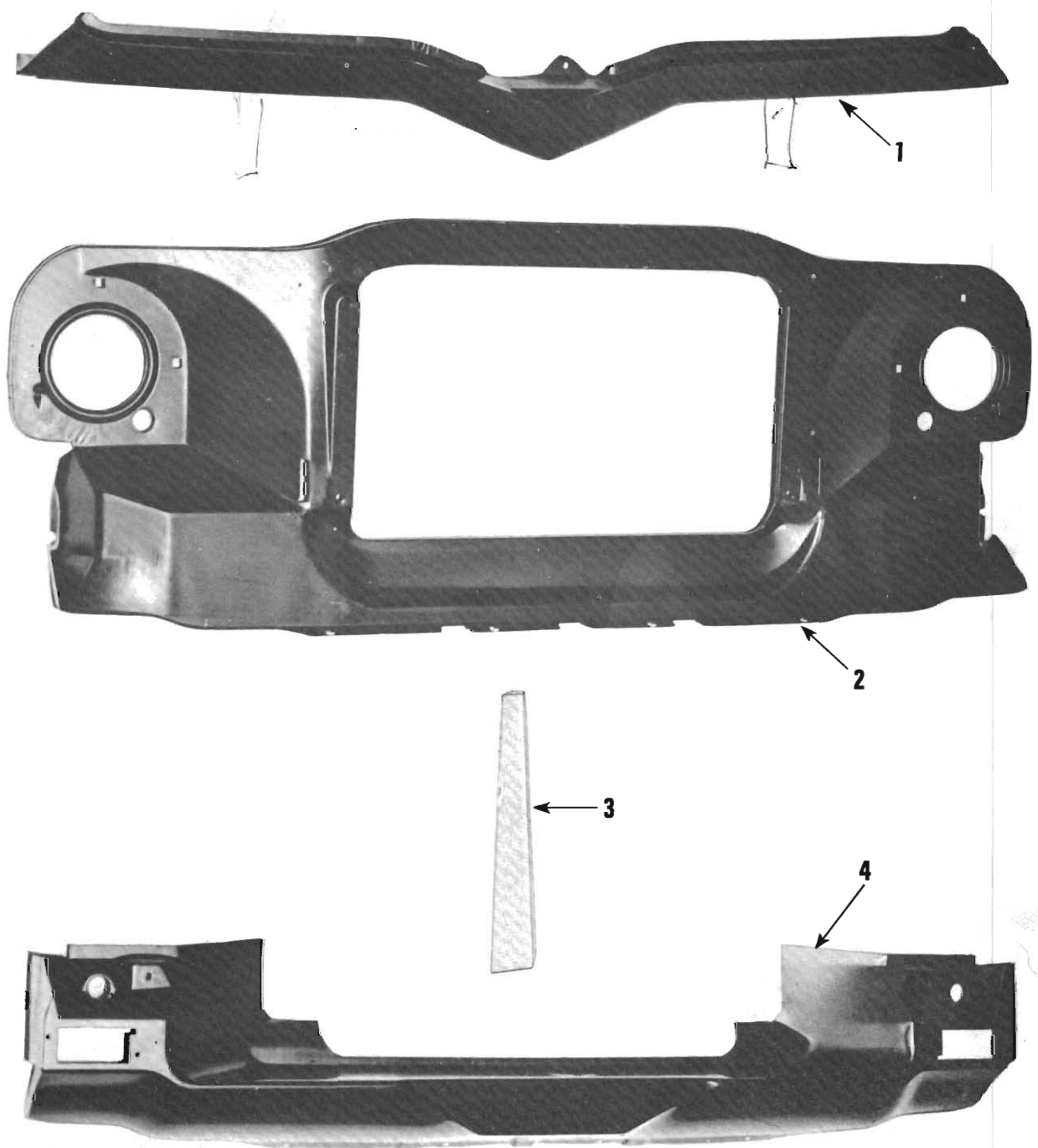
RADIATOR GRILLE

ILLUS. REF. NO.	PART NAME	GROUP
1.	GRILLE - Radiator (6 Cyl. Eng.).....	1.266
2.	RIM - Headlamp (6 Cyl. Eng.)	2.728
3.	NUT - 'U' type spring	2.728
4.	SCREW - Rim attaching	2.728
5.	BRACKET - Name plate	1.265
6.	PLATE - Name G.T.R.	1.265
7.	INSERT - Grille emblem (6 Cyl. Eng.)	1.265
8.	EMBLEM - Radiator grille (6 Cyl. Eng.)	1.265
9.	SHIELD - Front bumper stone	7.870
10.	RIM - Headlamp (4 Cyl. Eng.)	2.728
11.	GRILLE - Radiator (4 Cyl. Eng.)	1.266
12.	INSERT - Grille emblem (4 Cyl. Eng.)	1.265
13.	EMBLEM - Radiator grille (4 Cyl. Eng.)	1.265



RADIATOR PANELS – 4 Cyl. Engine

ILLUS. REF. NO.	PART NAME	GROUP	ILLUS. REF. NO.	PART NAME	GROUP
1.	RETAINER – Hood stay	8.012	7.	STAY – Radiator mounting	1.270
2.	STAY – Hood	8.012	8.	EXTENSION – Radiator panel	1.270
3.	LOCK ASSY. – Hood	8.079	9.	PANEL ASSY. – Radiator	1.270
4.	PANEL ASSY. – Radiator upper, centre ..	1.270	10.	BRACKET – Hood lock support rail	1.270
5.	PANEL – Radiator upper, side	1.270	11.	PANEL – Front end valance	1.263
6.	BRACKET – Radiator mounting	1.270			



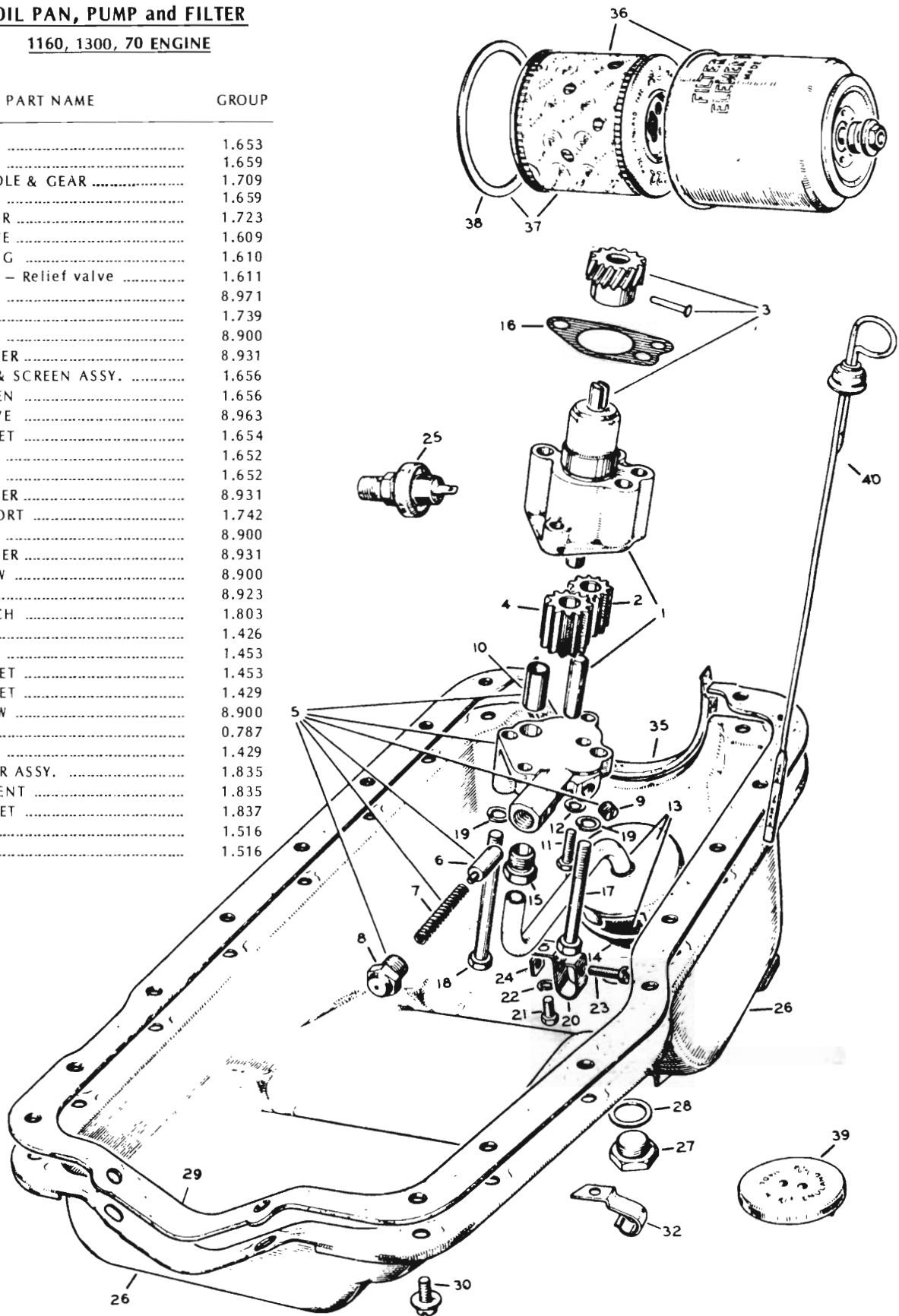
RADIATOR PANELS – 6 Cyl. Engines

ILLUS. REF. NO.	PART NAME	GROUP.	ILLUS. REF. NO.	PART NAME	GROUP
1.	PANEL – Radiator upper	1.270	3.	SUPPORT – Hood lock base plate	1.270
2.	PANEL ASSY. – Radiator	1.270	4.	PANEL ASSY. – Front end valance	1.263

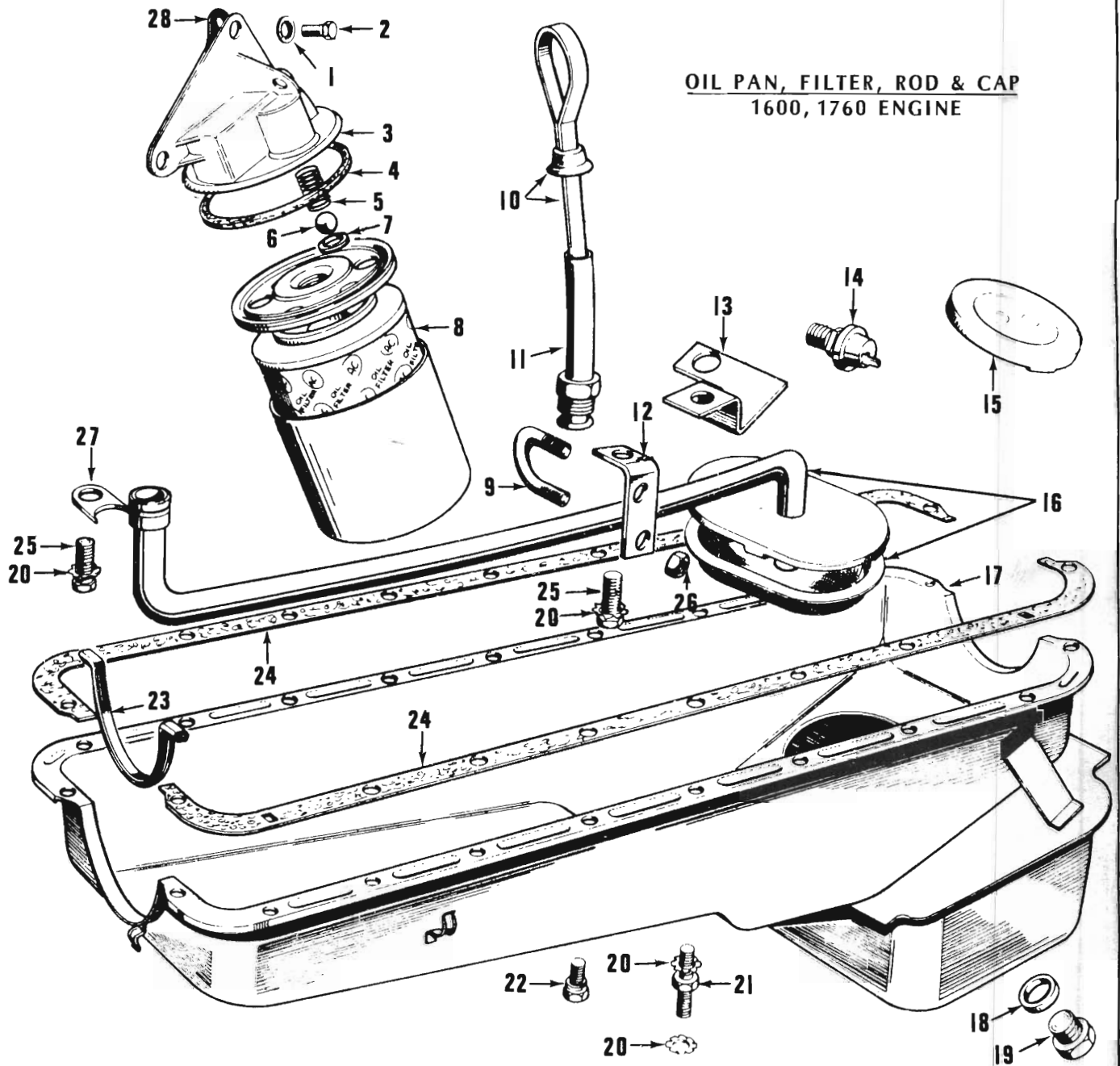
OIL PAN, PUMP and FILTER

1160, 1300, 70 ENGINE

ILLUS. REF. NO.	PART NAME	GROUP
1.	BODY	1.653
2.	GEAR	1.659
3.	SPINDLE & GEAR	1.709
4.	GEAR	1.659
5.	COVER	1.723
6.	VALVE	1.609
7.	SPRING	1.610
8.	PLUG - Relief valve	1.611
9.	PLUG	8.971
10.	PIPE	1.739
11.	BOLT	8.900
12.	WASHER	8.931
13.	PIPE & SCREEN ASSY.	1.656
14.	SCREEN	1.656
15.	SLEEVE	8.963
16.	GASKET	1.654
17.	BOLT	1.652
18.	BOLT	1.652
19.	WASHER	8.931
20.	SUPPORT	1.742
21.	BOLT	8.900
22.	WASHER	8.931
23.	SCREW	8.900
24.	NUT	8.923
25.	SWITCH	1.803
26.	PAN	1.426
27.	PLUG	1.453
28.	GASKET	1.453
29.	GASKET	1.429
30.	SCREW	8.900
32.	CLIP	0.787
35.	SEAL	1.429
36.	FILTER ASSY.	1.835
37.	ELEMENT	1.835
38.	GASKET	1.837
39.	CAP	1.516
40.	ROD	1.516

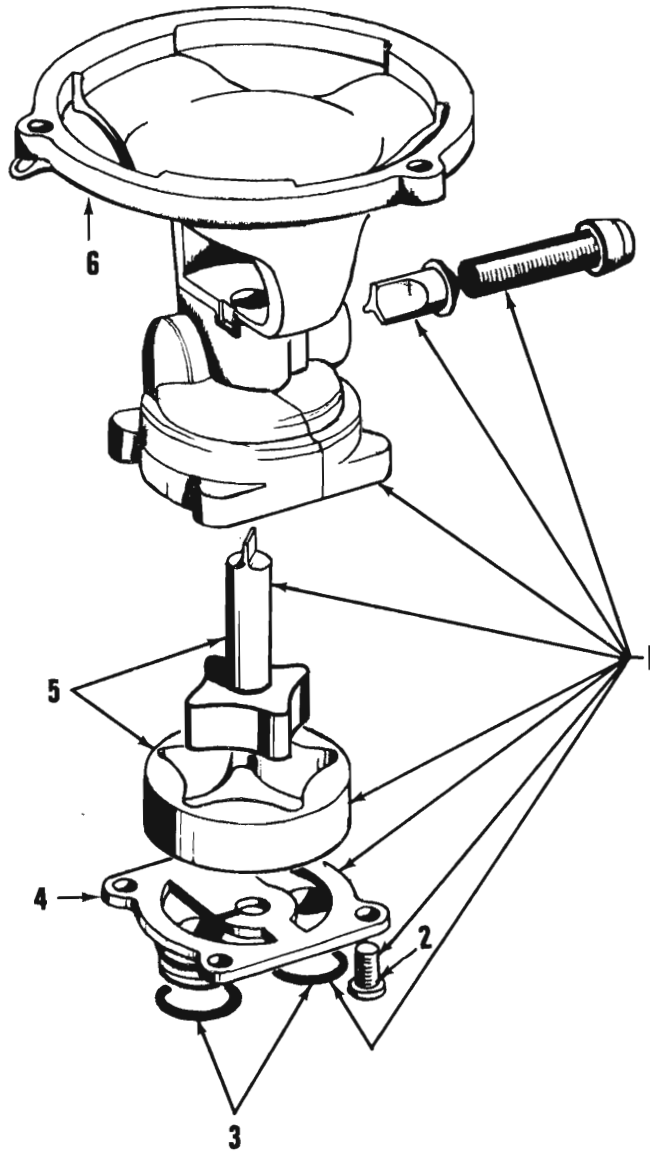


**OIL PAN, FILTER, ROD & CAP
1600, 1760 ENGINE**



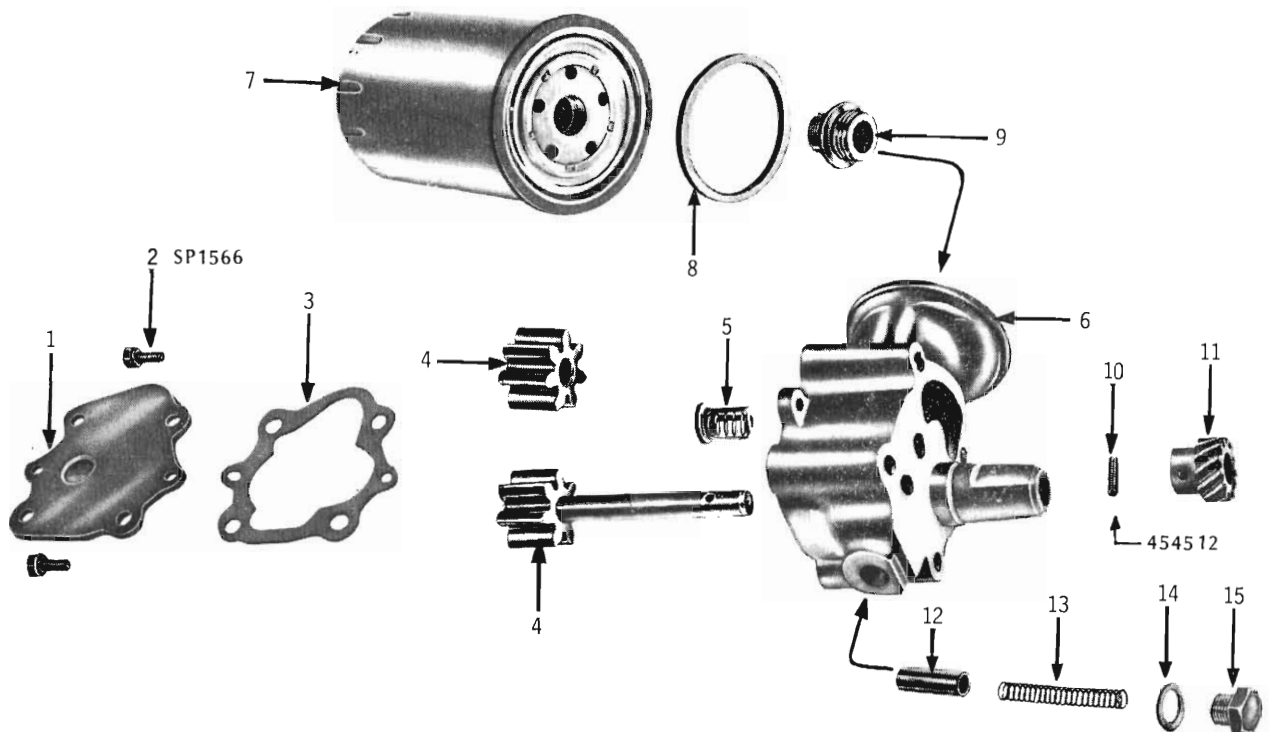
ILLUS. REF. NO.	PART NAME	GROUP
1.	WASHER - 5/16" int. tooth lock	8.932
2.	BOLT - 5/16" - 18 x 3/4"	8.900
3.		
4.		
5.	FILTER ASSY. - Oil	1.835
6.		
7.		
8.		
8.	ELEMENT - Oil filter	1.835
9.	CLAMP - Pipe to support	1.742
10.	ROD - Oil level indicator	1.516
11.	TUBE ASSY. - Oil level rod	1.516
12.	SUPPORT - Oil pump suction pipe	1.742
13.	SUPPORT - Indicator tube	1.516
14.	SWITCH ASSY.	1.803

ILLUS. REF. NO.	PART NAME	GROUP
15.	CAP - Oil filler	1.516
16.	PIPE & SCREEN ASSY.	1.656
17.	PAN ASSY. - Oil	1.426
18.	GASKET - Drain plug	1.453
19.	PLUG - Oil pan drain	1.453
20.	WASHER - 1/4" Ext. tooth lock	8.932
21.	STUD - Oil Pan fixing	1.426
22.	SCREW & LOCK WASHER ASSY. - Oil pan fixing	1.426
23.	SEAL - Oil pan	1.429
24.	GASKET - Oil pan	1.429
25.	BOLT - 1/4" - 20 x 5/8"	8.900
26.	NUT - 1/4" - 28	8.918
27.	SUPPORT - Oil pump suction pipe front ..	1.742
28.	GASKET - Filter to cyl. block	1.837



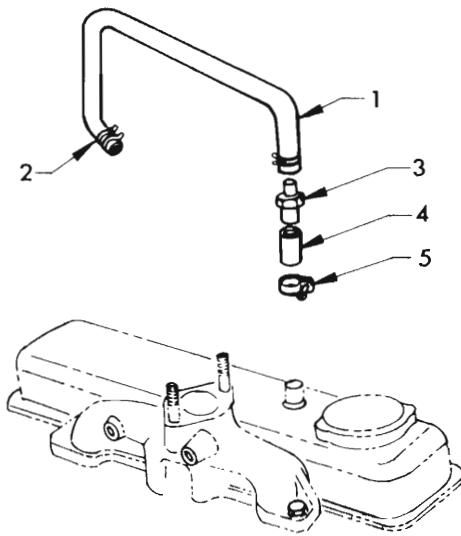
OIL PUMP – 1600, 1760 ENGINE

ILLUS. REF. NO.	PART NAME	GROUP	ILLUS. REF. NO.	PART NAME	GROUP
1.	PUMP ASSY. – Oil	1.652	4.	COVER – Oil pump	1.723
2.	SCREW – Clamping	1.723	5.	SHAFT & ROTOR ASSY. – Oil pump	1.709
3.	“O” RING – Oil pump to block	1.654	6.	GASKET – Oil pump to block	1.654



OIL PUMP AND FILTER
6 Cylinder Engine

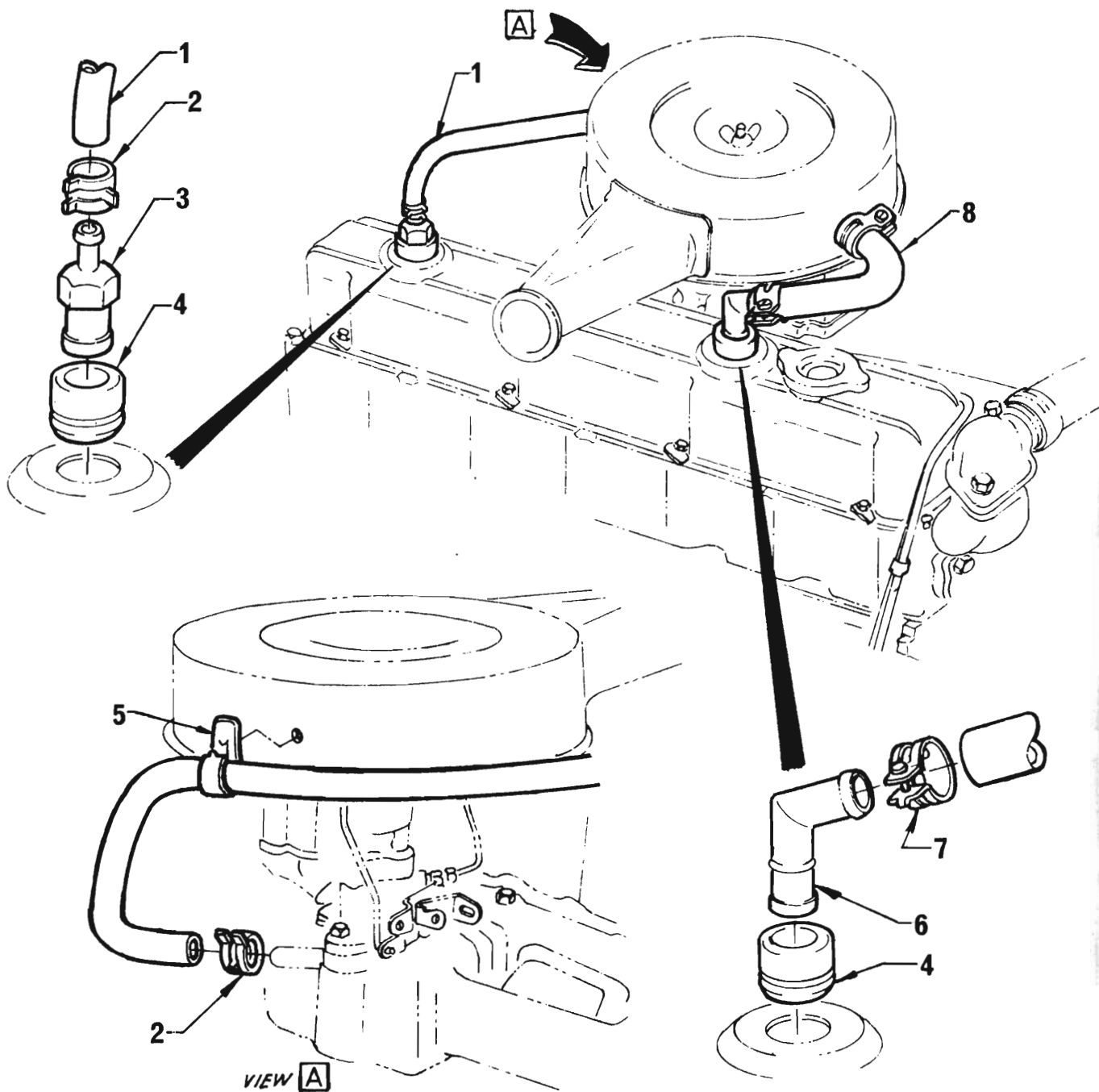
ILLUS. REF. NO.	PART NAME	GROUP	ILLUS. REF. NO.	PART NAME	GROUP
1.	COVER	1.723	9.	ADAPTOR	1.835
2.	SCREW	8.900	10.	PIN	8.941
3.	GASKET	1.724	10/11	GEAR KIT	1.643
4.	GEAR SET	1.659	12.	VALVE	1.609
5.	VALVE ASSY. - Bypass	1.837	13.	SPRING	1.610
6.	BODY & DRIVEN GEAR SHAFT ASSY.	1.653	14.	GASKET	1.611
7.	FILTER ASSY.	1.835	15.	PLUG	1.611
8.	GASKET - Cover	1.837			



ENGINE VENTILATION

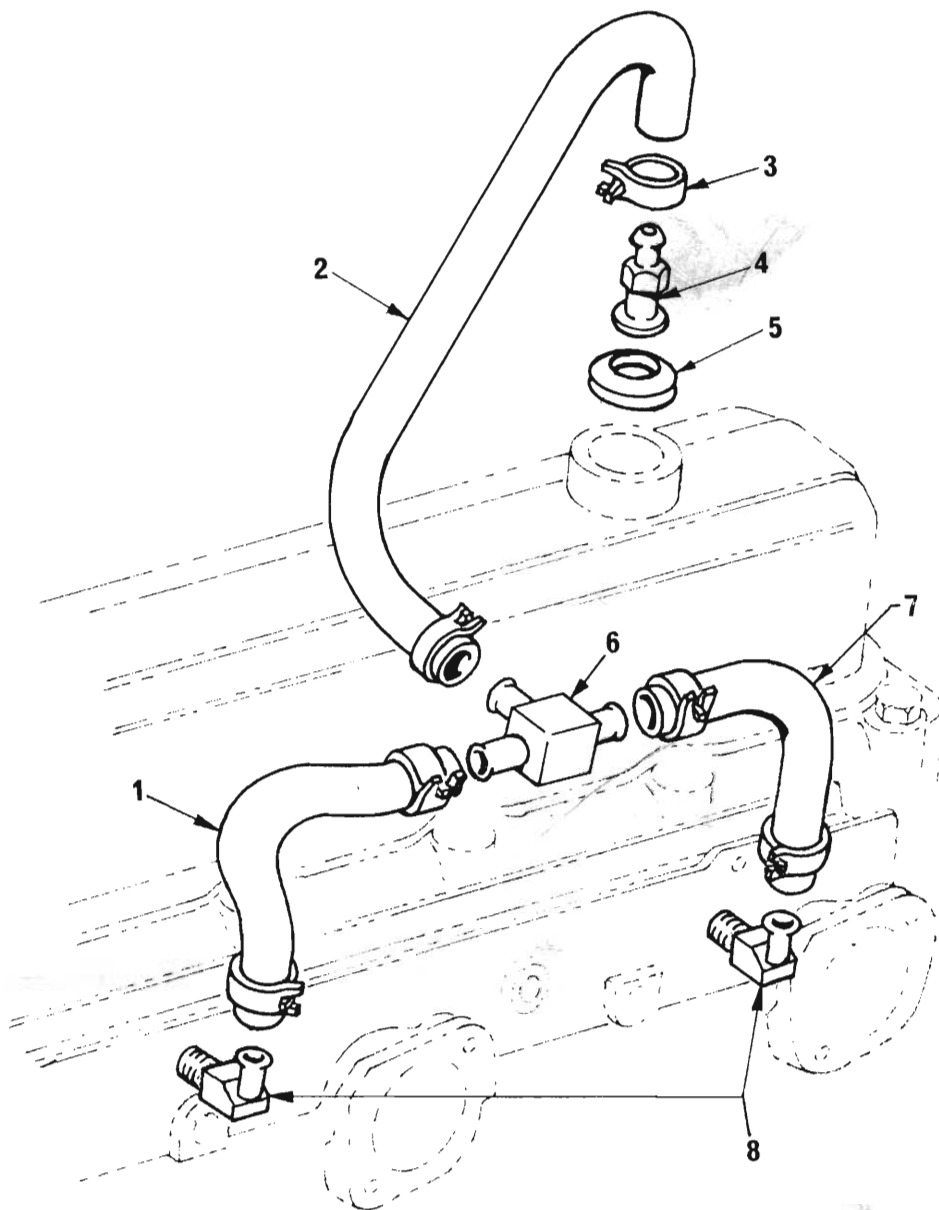
1160 ENGINE

ILLUS. REF. NO.	PART NAME	GROUP
1.	HOSE – Carburettor to vent valve ..	1.762
2.	CLAMP – Hose	1.762
3.	VALVE ASSY.	1.762
4.	HOSE – Connector breather	1.762
5.	CLAMP – Hose	1.762



BREATHER HOSES
2850, 3300 Engine

ILLUS. REF. NO.	PART NAME	GROUP	ILLUS. REF. NO.	PART NAME	GROUP
1.	HOSE	1.762	5.	CLIP - Hose to air cleaner	1.762
2.	CLAMP - Hose	1.762	6.	CONNECTOR - Breather outlet	1.762
3.	VALVE ASSEMBLY	1.762	7.	CLAMP - Breather outlet hose	1.762
4.	GROMMET	1.745	8.	HOSE - Breather outlet to air cleaner	1.762



ENGINE VENTILATION
XU1 ENGINE

ILLUS. REF. NO.	PART NAME	GROUP	ILLUS. REF. NO.	PART NAME	GROUP
1.	HOSE – Engine breather, lower front	1 762	5.	GROMMET – Valve cover to block vent	1.745
2.	HOSE – Engine breather, upper	1 762	6.	CONNECTOR – Engine breather (Tee)	1.762
3.	CLAMP	1.762	7.	HOSE – Engine breather, lower rear	1 762
4.	VALVE ASSY. – Crankcase ventilator	1.762	8.	ELBOW – Engine breather	1.762

HOLDEN "LJ" PARTS CATALOGUE

GROUP	DESCRIPTION	MODEL	SIDE	PART No.	QTY.
1.062	PULLEY – Water pump and fan				
	PULLEY	1160, 70, 1300 Eng.		6366816	1
	PULLEY	1600, 1760 Eng.		7201148	1
	PULLEY	6 Cyl. Eng.		2808189	1
1.063	FLANGE, HUB – Water pump and fan pulley				
	FLANGE	1160, 70, 1300 Eng.		7209074	1
	FLANGE	1600, 1760 Eng.		7201032	1
	HUB	6 Cyl. Eng.		7449209	1
1.064	BLADE – Fan				
	BLADE ASSY.	1160, 70 1300 Eng.		2816409	1
	BLADE ASSY.	1600, 1760 Eng.		2693784	1
	SPACER - Fan	1600, 1760 Eng.		2684678	1
	BLADE ASSY.	311, 369, 569 exc. Air Cond.		2808186	1
	BLADE ASSY.	911 exc. XU1 Eng., Air Cond.		2810488	1
	BLADE ASSY.	XU1 Eng.		⁽⁸⁹⁾ 2823424	1
	BLADE ASSY.	XU1 Eng.		⁽⁹⁰⁾ 9934058	1
	BLADE ASSY.	6 Cyl. Eng. Air Cond.		2820480	1
1.065	PULLEY, BEARING, BRACKET – Jockey				
	PULLEY ASSY.	1600, 1760 Eng.		7209388	1
	PULLEY	1600, 1760 Eng.		7204074	1
	BEARING - Pulley	1600, 1760 Eng.		7201328	1
1.066	BELT – Fan and Generator				
	BELT	1160, 70, 1300 Eng.		2811193	1
	BELT	1600, 1760 Eng.		7424203	1
	BELT	6 Cyl. Eng.		7427022	1
1.069	PUMP – Water				
	PUMP ASSY.	1160, 70, 1300 Eng.		8850015	1
	BOLT - Water pump to cylinder head, hex. hd. 1/4" - 20 x 1 7/8"	1300 Eng.		9905556	1
	PUMP ASSY.	1600, 1760 Eng.		7201033	1
	PUMP ASSY.	6 Cyl. Eng.		2823988	1
	BOLT & WASHER	6 Cyl. Eng.		7420070	2
	BOLT & WASHER ASSY. - Generator bracket	6 Cyl. exc. XU1 Eng.		SP2040	1
	SEAL KIT - Heater hose connection	6 Cyl. Eng.		7430865	1
1.071	OVERHAUL KIT, REPAIR KIT – Water pump				
	OVERHAUL KIT	1160, 70, 1300 Eng.		2680582	1
	OVERHAUL KIT	1600, 1760 Eng.		91008857	1
	REPAIR KIT	6 Cyl. Eng.		7423694	1
1.073	BODY – Water pump				
	BODY	1600, 1760 Eng.		7199446	1
	CONNECTOR - Ball sleeve	1600, 1760 Eng.		8813253	1
	BODY	6 Cyl.		7420066	1
1.079	GASKET – Water pump to Engine				
	GASKET	1160, 70, 1300 Eng.		6366991	1
	GASKET	1600, 1760 Eng.		7201112	1
	GASKET	6 Cyl. Eng.		7420069	1
1.108	SHAFT and BEARING – Water pump				
	SHAFT & BEARING ASSY.	1160, 70, 1300 Eng.		7209071	1
	SHAFT & BEARING ASSY.	1600, 1760 Eng.		7217225	1
	SHAFT & BEARING ASSY.	6 Cyl. Eng.		2823981	1

Note: ⁽⁸⁹⁾ Up to Eng. No. JP386597.
⁽⁹⁰⁾ From Eng. No. JP386598.

HOLDEN "LJ" PARTS CATALOGUE

GROUP	DESCRIPTION	MODEL	SIDE	PART No.	QTY.
1.109	ROTOR – Water pump				
	ROTOR	1160, 70, 1300 Eng.		8850019	1
	ROTOR	1600, 1760 Eng.		7191605	1
	ROTOR	6 Cyl. Eng.		7420068	1
1.112	RING – Water pump bearing				
	RING - Locking	4 Cyl. Eng.		6366097	1
1.123	SEAL – Water pump				
	SEAL ASSY.	4 Cyl. Eng.		7209483	1
	SEAL - Counterface	1160, 70, 1300 Eng.		8852043	1
	SEAL ASSY.	6 Cyl. Eng.		6270078	1
1.153	OUTLET – Water pump				
	OUTLET	1160, 70, 1300 Eng.		6366997	1
	OUTLET	1600, 1760 Eng.		7201046	1
	ELBOW - Inlet	1760 Eng.		2684897	1
	CONNECTOR - Hose to inlet	1760 Eng.		6381313	1
	OUTLET	6 Cyl. Eng.		7423284	1
	BOLT - Thermostat housing	6 Cyl. Eng.		SP2071	1
	BOLT - Thermostat housing	6 Cyl. Eng.		SP2070	1
1.154	GASKET – Water outlet				
	GASKET	1160, 70, 1300 Eng.		6303254	1
	GASKET	1600, 1760 Eng.		7201130	1
	GASKET	6 Cyl. Eng.		7401111	1
1.159	HOSE – Radiator				
	HOSE - Inlet	1160, 70, 1300 Eng.		7184487	1
	HOSE - Inlet	1600, 1760 Eng.		2820601	1
	HOSE - Water pump to elbow	1600, 1760 Eng.		7201059	1
	HOSE - Inlet	6 Cyl. Eng.	RIGHT HAND DRIVE	7423136 2805211	1
			LEFT HAND DRIVE	2811299	1
	HOSE - Outlet	1160, 70, 1300 Eng.		⁽²⁰⁾ 7447905	1
	HOSE - Outlet	1160, 70, 1300 Eng.		⁽²¹⁾ 7447906	1
	HOSE - Outlet	1600, 1760 Eng.		⁽²⁰⁾ 2823593	1
	HOSE - Outlet	1600, 1760 Eng.		⁽²¹⁾ 2823594	1
	HOSE - Outlet extension	4 Cyl. exc. 1760 Eng.		⁽²¹⁾ 7447907	1
	HOSE & SPRING PACKAGE - Outlet	6 Cyl. Eng.		7420304 2811694	1
1.166	CLAMP – Hose				
	CLAMP - Inlet hose, 1 1/8" dia.	4 Cyl. Eng.		SP1004	2
	CLAMP - Inlet hose, 1 1/8" dia.	6 Cyl. Eng.		SP1004	2
	CLAMP - Outlet hose, 1 1/8" dia.	4 Cyl. Eng.		SP1004	2
	CLAMP - Outlet hose, 1.38"-2.12" worm drive	1760 Eng.		SP1557	1
	CLAMP - Outlet hose	6 Cyl. Eng.		SP1572	2
1.203	CAP – Radiator pressure				
	CAP	4 Cyl. Eng.		9928800	1
	CAP	6 Cyl. exc XU1 Eng., Air Cond.		850559	1
	CAP	XU1 Eng.		9928800	1
	CAP	6 Cyl. Eng. Air Cond.		850559	1
1.219	RADIATOR, CORE, SERVICE SET				
	RADIATOR ASSY.	(M) 1160, 70, 1300 Eng.		7448250	1
	RADIATOR ASSY.	(M) 1600, 1760 Eng.		2824433	1
	RADIATOR ASSY.	(A) 70, 1300 Eng.		2813188	1
	RADIATOR ASSY.	(A) 1600, 1760 Eng.		2824434	1
	RADIATOR ASSY. - Regular	(M) 2250, 2850 Eng.		2805208	1
	RADIATOR ASSY. - Regular	3300 exc. XU1 Eng.		2809857E	1

Note: ⁽²⁰⁾ Not used when Heater fitted.
⁽²¹⁾ Used only when Heater fitted.

HOLDEN "LJ" PARTS CATALOGUE

GROUP	DESCRIPTION	MODEL	SIDE	PART No.	QTY.
1.219	RADIATOR, CORE, SERVICE SET (contd.)				
	RADIATOR ASSY. - Regular	XU1 Eng.		2823866 92003449E	1
	RADIATOR ASSY. - Heavy duty	(M) 6 Cyl. Eng.		2823866	1
	RADIATOR ASSY. - Regular	(A) 2250, 2850 Eng.		2812450E	1
	RADIATOR ASSY. - Heavy duty	(A) 2250, 2850 Eng.		2824058	1
	CORE ASSY.	(M) 1160, 70, 1300 Eng.		M36669	1
	CORE ASSY.	(M) 1600, 1760 Eng.		2813473	1
	CORE ASSY.	(A) 1160, 70, 1300 Eng.		2815178	1
	CORE ASSY.	(A) 1600, 1760 Eng.		2813474	1
	CORE ASSY. - Regular	(M) 2250, 2850 Eng.		2813473	1
	CORE ASSY. - Regular	(A) 2250, 2850 Eng.		2813475	1
	CORE ASSY. - Regular	3300 exc. XU1 Eng.		2813474	1
	CORE ASSY. - Regular	XU1 Eng.		2824020	1
	CORE ASSY. - Heavy duty	6 Cyl. Eng.		2824020	1
	SERVICE SET	(M) 1160, 70, 1300 Eng.		M36670	1
	SERVICE SET	(M) 1600, 1760 Eng.		2822968	1
	SERVICE SET - Regular	(M) 6 Cyl. exc. XU1 Eng.		2813476	1
	SERVICE SET - Regular	XU1 Eng.		2819012	1
	SERVICE SET - Heavy duty	(M) 6 Cyl. exc. XU1 Eng.		2819012	1
	SERVICE SET	(A) 70, 1300 Eng.		2815180	1
	SERVICE SET	(A) 1600, 1760 Eng.		2822969	1
	SERVICE SET - Regular	(A) 2250, 2850 Eng.		2822056	1
	SERVICE SET - Heavy duty	(A) 2250, 2850 Eng.		2824049	1
	STRAP & BRACKET KIT	1160, 70, 1300 Eng.		2815179	1
	STRAP & BRACKET KIT	1600, 1760 Eng.		2813478	1
	STRAP & BRACKET KIT - Regular	6 Cyl. exc. XU1 Eng.		2813478	1
	STRAP & BRACKET KIT - Regular	XU1 Eng.		2819002	1
	STRAP & BRACKET KIT - Heavy duty	6 Cyl. exc. XU1 Eng.		2819002	1
	COOLER ASSY. - Oil	(A) 1600, 1760 Eng.		2820103	1
	COOLER ASSY. - Oil	(A) 6 Cyl. Eng.		2820103	1
	PIPE - Overflow	ALL		2820136	1
1.221	BOLT - Radiator support				
	BOLT - Hex. washer hd. 1/4" - 20 x 1/2"	1160, 70, 1300 Eng.		9411372	4
	BOLT - Hex. washer hd. 3/16" - 18 x 3/4"	6 Cyl. Eng.		9417350	4
1.229	SCREW - Radiator drain				
	SCREW	ALL		M37169	1
1.246	THERMOSTAT				
	THERMOSTAT ASSY.	1160, 70 1300 Eng.		1572364 9940168	1
	THERMOSTAT ASSY.	1600, 1760 Eng.		1572364 9940168	1
	THERMOSTAT ASSY.	6 Cyl. Eng.		3749086 9940168	1
1.251	HOUSING - Thermostat				
	HOUSING	6 Cyl. Eng. RIGHT HAND DRIVE		2820816	1
	HOUSING	6 Cyl. Eng. LEFT HAND DRIVE	(⁶⁵)	7429460	1
	HOUSING	6 Cyl. Eng. LEFT HAND DRIVE	(⁶⁴)	2820816	1
	BOLT & SPRING WASHER ASSY. - Hex. hd. 3/8" - 16 x 1 1/4"	6 Cyl. Eng.		SP2068	2
	BOLT & SPRING WASHER ASSY. - Hex. hd. 3/8" - 16 x 2"	6 Cyl. Eng.		SP2069	1
1.252	GASKET - Thermostat housing				
	GASKET	6 Cyl. Eng.		7429459	1
1.263	PANEL - Front end valance				
	PANEL	4 Cyl. Eng.		2820739	1
	PANEL ASSY.	6 Cyl. Eng.		2806685	1

Note: (⁶⁴) Not with Heater.
(⁶⁵) Heater with Fan.

HOLDEN "LJ" PARTS CATALOGUE

GROUP	DESCRIPTION	MODEL	SIDE	PART No.	QTY.
1.265	EMBLEM – Radiator grille				
	EMBLEM	4 Cyl. Eng.		2820047	1
	EMBLEM	6 Cyl. Eng.		2819028	1
	INSERT - Emblem	4 Cyl. Eng.		2805408	1
	INSERT - Emblem	6 Cyl. Eng.		2819029	1
	NUT - Insert to emblem	ALL		SP1534	2
	PLATE - Name G.T.R.	911 exc. XU1 Eng.		2819245	1
	BRACKET - Name plate	911 exc. XU1 Eng.		2819277	2
1.266	GRILLE – Radiator				
	GRILLE	1160, 70, 1300 Eng.		2817455	1
	GRILLE	1600, 1760 Eng.		2822930	1
	BRACKET	4 Cyl. Eng.		2805476	1
	GRILLE	311, 369, 569		2818866	1
	GRILLE	911		2818865	1
	NUT - Radiator grille to header panel	6 Cyl. Eng.		SP1733	2
1.269	ATTACHING PARTS – Radiator grille				
	SCREW - Hood lock to header panel	6 Cyl. Eng.		SP2430	2
	SCREW - To header panel & stone shield	6 Cyl. Eng.		SP2432	4
1.270	PANEL – Radiator				
	PANEL ASSY.	4 Cyl. Eng.		7191338	1
	PANEL ASSY. - Upper, centre	4 Cyl. Eng.		2806050	1
	PANEL - Upper, side	4 Cyl. Eng.	LH	7447133	1
			RH	7447132	1
	PLATE - Upper panel	4 Cyl. Eng.	LH	7447151	1
			RH	7447152	1
	EXTENSION	4 Cyl. Eng.	LH	7180433	1
			RH	7180432	1
	BRACKET - Hood lock support rail	4 Cyl. Eng.		7191337	1
	BRACKET - Radiator mounting	4 Cyl. Eng.	LH	7197403	1
			RH	7197402	1
	BRACKET - Side support	1600 Eng.	LH	2820599	1
			RH	2820742	1
	STAY - Radiator mounting	4 Cyl. Eng.		7448021	1
	SUPPORT - Hood lock base plate	6 Cyl. Eng.		2818823	1
	PANEL ASSY.	6 Cyl. Eng.		2806228	1
	PANEL ASSY. - Upper	6 Cyl. Eng.		2818798	1
1.426	PAN – Oil				
	PAN ASSY.	1160, 70, 1300 Eng.		7182718	1
	SCREW & LOCKWASHER	1160, 70, 1300 Eng.		8822865	18
	PAN ASSY.	1600 Eng.		8819559	1
	PAN ASSY.	1760 Eng.		2703419	1
	SCREW & LOCK WASHER ASSY. - Oil pan fixing ..	1600, 1760 Eng.		7204205	20
	PAN ASSY.	6 Cyl. exc. XU1 Eng.		9934276	1
	PAN ASSY.	XU1 Eng.		⁽⁸⁹⁾ 2823701	1
	PAN ASSY.	XU1 Eng.		⁽⁹⁰⁾ 9930759	1
	SCREW & LOCK WASHER	6 Cyl. Eng.		SP1533	4
1.429	GASKET UNIT – Oil pan				
	GASKET	1160, 70, 1300 Eng.		7187587	1
	SEAL - Oil pan rear	1160, 70, 1300 Eng.		7157882	1
	GASKET SET	1600, 1760 Eng.		M37362	1
	GASKET	1600, 1760 Eng.		7209189	2
	SEAL - Oil pan	1600, 1760 Eng.		8835379	2
	GASKET UNIT	6 Cyl. Eng.		2819472	1
	SEAL - Oil pan front	6 Cyl. Eng.		7420001	1
	SEAL - Oil pan rear	6 Cyl. Eng.		3788444	1
	PACKING - Seal	6 Cyl. Eng.		2815269	2

Note: ⁽⁸⁹⁾ Up to Eng. No. JP386597.
⁽⁹⁰⁾ From Eng. No. JP386598.

HOLDEN "LJ" PARTS CATALOGUE

GROUP	DESCRIPTION	MODEL	SIDE	PART No.	QTY.
1.453	PLUG – Oil pan drain				
	PLUG	4 Cyl. Eng.		7127250	1
	GASKET – Drain plug	4 Cyl. Eng.	113897	6825645	1
	PLUG & GASKET ASSY.	6 Cyl. Eng.		7423483	1
	PLUG & GASKET – Oversize $\frac{3}{16}$ " – 18	6 Cyl. Eng.		7433631	1
	GASKET – $\frac{3}{16}$ "	6 Cyl. Eng.		7433633	1
	GASKET – Drain plug	6 Cyl. Eng.		513975	1
1.516	CAP, ROD, TUBE, SUPPORT, CLIP, INDICATOR – Oil				
	CAP – Oil filler	4 Cyl. Eng.	1571891	7966887	1
	ROD – Oil level indicator	1160, 70 Eng.		7176693	1
	ROD – Oil level indicator	1300 Eng.	X	8831574	1
	ROD – Oil level indicator	1600, 1760 Eng.		2700132	1
	TUBE ASSY. – Oil level rod	1600, 1760 Eng.		2822101	1
	SUPPORT – Indicator tube	1600, 1760 Eng.		2693447	1
	CLIP – Indicator tube	1600, 1760 Eng.		7121060	1
	CAP ASSY. – Oil filler	311, 369, 569		⁽⁹²⁾ 7422035	1
	CAP ASSY. – Oil filler	911		⁽⁹²⁾ 7435374	1
	CAP ASSY. – Oil filler	311, 369, 569		⁽⁹³⁾ 3835665	1
	CAP ASSY. – Oil filler	911		⁽⁹³⁾ 3851735	1
	INDICATOR ASSY. – Oil level	6 Cyl. Eng.		2809297	1
	TUBE – Oil level indicator	6 Cyl. Eng.		7427625	1
1.517	GASKET – Oil filler cap				
	GASKET	6 Cyl. Eng.		⁽⁹²⁾ 7425615	1
1.609	VALVE – Oil pressure regulator				
	VALVE	1160, 70, 1300 Eng.		6366774	1
	VALVE	6 Cyl. Eng.		3702366	1
1.610	SPRING – Oil pressure regulator valve				
	SPRING	1160, 70, 1300 Eng.		6366808	1
	SPRING	6 Cyl. exc. XU1 Eng.		3837115	1
	SPRING	XU1 Eng.		⁽⁸⁹⁾ 3837115	1
	SPRING	XU1 Eng.		⁽⁹⁰⁾ 9934057	1
1.611	PLUG – Oil pressure regulator spring				
	PLUG	1160, 70, 1300 Eng.		6366776	1
	PLUG	6 Cyl. Eng.		7426909	1
	GASKET	6 Cyl. Eng.		7417490	1
1.643	GEAR KIT – Oil pump drive				
	GEAR KIT	6 Cyl. Eng.		7423613	1
1.652	PUMP – Oil				
	PUMP ASSY.	1160, 70, 1300 Eng.		91005899	1
	BOLT – Pump to cyl. block, $2\frac{7}{8}$ " long	1160, 70, 1300 Eng.		7166016	1
	PUMP ASSY.	1600, 1760 Eng.		8822990	1
	PUMP ASSY.	6 Cyl. exc. XU1 Eng.	92000443	7449396	1
	PUMP ASSY.	XU1 Eng.		⁽⁸⁸⁾ 7449396	1
	PUMP ASSY.	XU1 Eng.		⁽⁹⁰⁾ 9934056	1
	BOLT & SPRING WASHER ASSY – Hex. hd. $\frac{3}{16}$ " – 18 x $2\frac{7}{8}$ "	6 Cyl. Eng.		SP2028	4
1.653	BODY and DRIVEN GEAR SHAFT – Oil pump				
	BODY & DRIVEN GEAR SHAFT ASSY.	1160, 70, 1300 Eng.		7202769	1
	BODY & DRIVEN GEAR SHAFT ASSY.	6 Cyl. Eng.		7449397	1
Note:	⁽⁸⁸⁾ Up to Eng No. JP386597.				
	⁽⁹⁰⁾ From Eng. No. JP386598.				
	⁽⁹²⁾ Prior to A.D.R.27.				
	⁽⁹³⁾ With A.D.R. 27.				

HOLDEN "LJ" PARTS CATALOGUE

GROUP	DESCRIPTION	MODEL	SIDE	PART No.	QTY.
1.654	GASKET, 'O' RING – Oil pump to block				
	GASKET	1160, 70, 1300 Eng.		6366775	1
	GASKET	1600, 1760 Eng.		7206309	1
	'O' RING	1600, 1760 Eng.		7217033	2
	GASKET	6 Cyl. Eng.		7420017	1
1.656	PIPE, SCREEN – Oil pump				
	PIPE & SCREEN ASSY.	1160, 70, 1300 Eng.		6384624	1
	SCREEN ASSY.	1160, 70, 1300 Eng.		7213195	1
	PIPE & SCREEN ASSY.	1600, 1760 Eng.		8819555	1
	SUCTION PIPE & SCREEN ASSY.	6 Cyl. Eng.		7448753	1
1.657	COVER – Oil pump suction screen				
	COVER	1600, 1760 Eng.		8822893	1
1.658	SHAFT – Oil pump driven gear				
	SHAFT	6 Cyl. Eng.		7420011	1
1.659	GEAR SET – Oil pump				
	GEAR – Driven & driving	1160, 70, 1300 Eng.		6384726	2
	GEAR SET	6 Cyl. Eng.		2815102	1
1.709	SPINDLE and GEAR, SHAFT and ROTOR – Oil pump				
	SPINDLE & GEAR ASSY.	1160, 70, 1300 Eng.		7150358	1
	SHAFT & ROTOR ASSY.	1600, 1760 Eng.		⁽⁹⁵⁾ 8830671	1
	VANE – Oil pump shaft & rotor assy.	1600, 1760 Eng.		⁽⁹⁵⁾ 8819206	4
	WASHER – Vane locating	1600, 1760 Eng.		⁽⁹⁵⁾ 8819210	2
	SHAFT & ROTOR ASSY.	1600, 1760 Eng.		⁽⁹⁴⁾ 8830547	1
1.723	COVER – Oil pump				
	COVER	1160, 70, 1300 Eng.		6384620	1
	COVER	1600, 1760 Eng.		⁽⁹⁴⁾ 8815400	1
	SCREW – Clamping	1600, 1760 Eng.		⁽⁹⁴⁾ 8815405	4
	COVER	1600, 1760 Eng.		⁽⁹⁵⁾ 8819204	1
	BOLT – Cover to body	1600, 1760 Eng.		⁽⁹⁵⁾ 8819209	4
	SLEEVE – Cover to body, locating	1600, 1760 Eng.		⁽⁹⁵⁾ 8819207	2
	COVER	6 Cyl. Eng.		7426937	1
1.724	GASKET – Oil pump cover				
	GASKET	6 Cyl. Eng.		7420016	1
1.739	PIPE – Oil pump				
	PIPE – Oil retainer	1160, 70, 1300 Eng.		6384628	1
1.742	SUPPORT – Oil pump suction pipe				
	SUPPORT	1160, 70, 1300 Eng.		7189522	1
	SUPPORT – Front	1600, 1760 Eng.		7209185	1
	SUPPORT – Rear	1600, 1760 Eng.		7209221	1
	CLAMP – Pipe to support	1600, 1760 Eng.		7213112	1
1.745	GROMMET – Valve cover to block vent				
	GROMMET	6 Cyl. Eng.		⁽⁹²⁾ 7427227	1
	GROMMET	6 Cyl. exc. XU1 Eng.		⁽⁹³⁾ 9928699	1

Note: ⁽⁹²⁾ Prior to A.D.R.27.
⁽⁹³⁾ With A.D.R. 27.
⁽⁹⁴⁾ Use on Oil Pump stamped Hobourne Eaton.
⁽⁹⁵⁾ Use on Oil Pump stamped Birmal or Burman.

HOLDEN "LJ" PARTS CATALOGUE

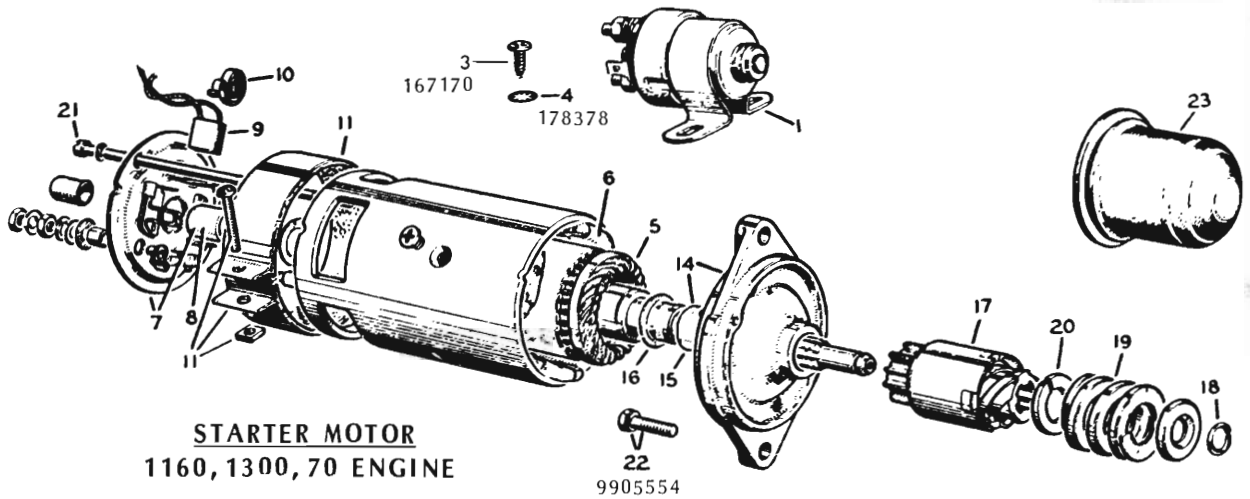
GROUP	DESCRIPTION	MODEL	SIDE	PART No.	QTY.
1.762	VALVE, HOSE, ADAPTOR – Crankcase ventilator				
	VALVE ASSY.	1160, 70 Eng.		1533539	1
	HOSE – Carburettor to vent valve	1160 Eng.		7189845	1
	HOSE – Engine breather	70 Eng.		7438404	1
	ADAPTOR	70 Eng.		7438405	1
	HOSE – Connector breather	1160, 70 Eng.		7189846	1
	HOSE – Connector breather	1300 Eng.		2707765	1
	CLAMP – Connector breather hose	1160, 70 Eng.		SP1657	1
	CLAMP – Hose to rocker cover	1300 Eng.		M36483	1
	CLAMP – Carb. to vent valve hose	1160 Eng.		3786275	2
	CLAMP – Engine breather hose	70 Eng.		3829058	2-6
	HOSE – Camshaft cover to air cleaner	1600, 1760 Eng.		8822565	1
	CLAMP – Hose	1600, 1760 Eng.		272846	2
	CLIP – Hose fixing	1600, 1760 Eng.		9906034	2
	PIPE – Hose to inlet manifold	1600, 1760 Eng.		8822593	1
	CONNECTOR – Ball sleeve, pipe to inlet manifold ...	1600, 1760 Eng.		7219186	1
	NUT – Pipe to connector	1600, 1760 Eng.		120487	1
	SLEEVE – Ball 3/16"	1600, 1760 Eng.		120488	1
	VALVE ASSY.	6 Cyl. Eng.		1533669	1
	HOSE – Engine breather	6 Cyl. exc. XU1 Eng.		7438562	1
	HOSE – Engine breather, lower front	XU1 Eng.		2816555	1
	HOSE – Engine breather, lower rear	XU1 Eng.		2817009	1
	HOSE – Engine breather, upper	XU1 Eng.		2816554	1
	CLAMP	6 Cyl. Eng.		3829058	2-8
	CLIP – Breather hose to air cleaner	6 Cyl. exc. XU1 Eng.		SP1868	1
	ADAPTOR	6 Cyl. Eng.		⁽⁹²⁾ 7423902	1
	TUBE – Vacuum hose fitting in manifold	1160, 70, 1300 Eng.		7433250	1
	HOSE – Breather outlet to air cleaner	6 Cyl. exc. XU1 Eng.		⁽⁹³⁾ 9935027	1
	CLAMP – Breather outlet hose	6 Cyl. exc. XU1 Eng.		⁽⁹³⁾ SP1758	2
	CONNECTOR – Breather outlet	6 Cyl. exc. XU1 Eng.		⁽⁹³⁾ 9932232	1
	CONNECTOR – Engine breather (tee)	XU1 Eng.		2816556	1
	ELBOW – Engine breather	XU1 Eng.		7406788	2
1.803	SWITCH – Oil pressure tell tale				
	SWITCH ASSY. – Warning lamp	ALL		7441302	1
1.803	SENDER UNIT – Oil pressure – Engine unit				
	SENDER UNIT	ALL		7429181	1
1.835	FILTER – Oil				
	FILTER ASSY.	1160, 70, 1300 Eng.		A221	1
	ELEMENT	1160, 70, 1300 Eng.		AQ22	1
	FILTER ASSY.	1600, 1760 Eng.		7973235	1
	ELEMENT	1600, 1760 Eng.		SD	1
	FILTER ASSY.	6 Cyl. Eng.		PF10	1
	ADAPTOR	6 Cyl. Eng.		7421853	1
1.837	GASKET, VALVE – Oil filter				
	GASKET – Cover	1160, 70, 1300 Eng.		7965138	1
	SEAL – Shell assy. bolt	1160, 70, 1300 Eng.		7973446	1
	GASKET – Filter to cylinder block	1600, 1760 Eng.		7213450	1
	RING – Filter sealing	1600, 1760 Eng.		7961344	1
	HEAD ASSEMBLY – Filter	1600, 1760 Eng.		7973238	1
	SEAT – Filter valve	1600, 1760 Eng.		1531893	1
	BALL – Filter	1600, 1760 Eng.		7965001	1
	SPRING – Filter	1600, 1760 Eng.		7965685	1
	GASKET	6 Cyl. Eng.		5574397	1
	VALVE ASSY. – By-pass	6 Cyl. Eng.		5575416	1

Note: ⁽⁹²⁾ Prior to A.D.R.27.
⁽⁹³⁾ With A.D.R. 27.

HOLDEN "LJ" PARTS CATALOGUE

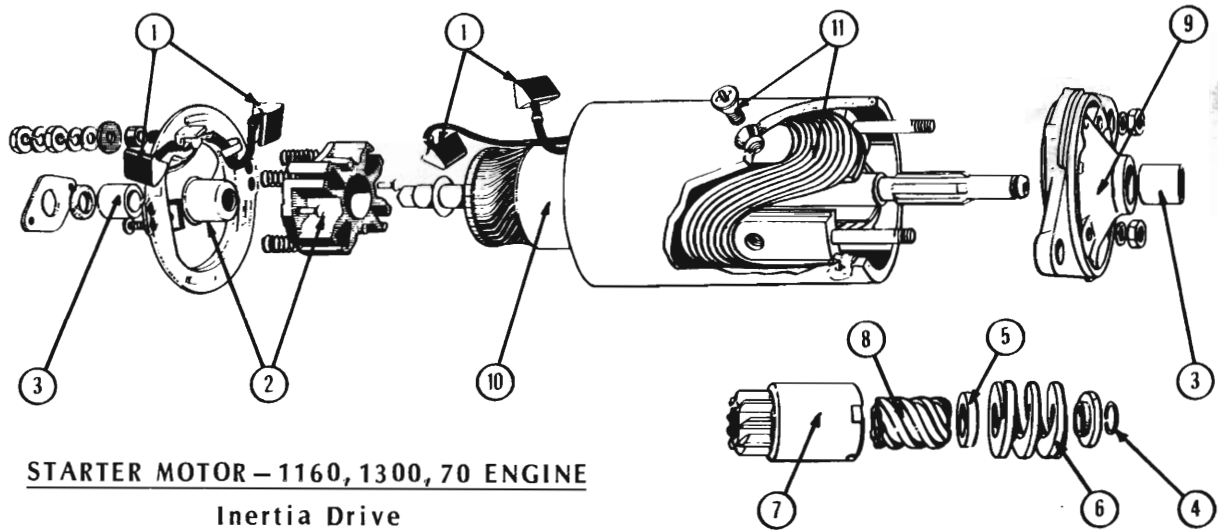
GROUP	DESCRIPTION	MODEL	SIDE	PART No.	QTY.
1.928	PLUG – Cylinder head and block oil gallery				
	PLUG – Cylinder block oil gallery front cup	1160, 70, 1300 Eng.		6366745	1
	PLUG – Cylinder block oil hole	1160, 70, 1300 Eng.		6366746	1
	PLUG – Cylinder block oil gallery, cup	1600 Eng.		8819892	2
	'O' RING – Cylinder head oil hole	1600 Eng.		2684725	1
	PLUG – Cylinder block oil gallery, front	6 Cyl. Eng.		7419064	1
	PLUG – Cylinder block oil gallery, rear	6 Cyl. Eng.		444782	1

HOLDEN "LJ" PARTS CATALOGUE



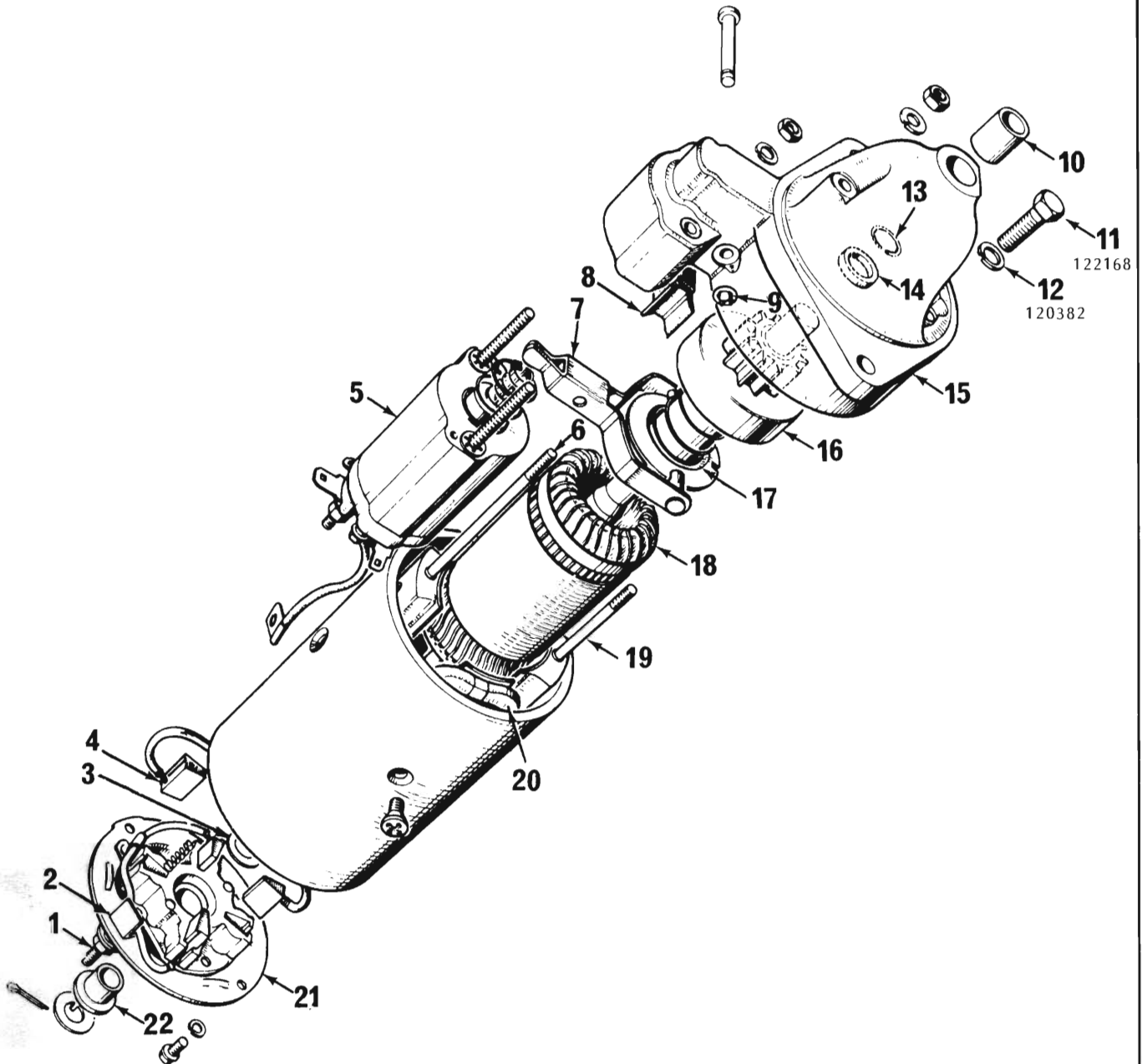
STARTER MOTOR
1160, 1300, 70 ENGINE

ILLUS. REF. NO.	PART NAME	GROUP	ILLUS. REF. NO.	PART NAME	GROUP
1-23	STARTER MOTOR ASSY.	2.041	14.	HOUSING	2.085
1.	SWITCH - Solenoid	2.100	15.	BUSH	2.083
3.	SCREW	8.977	16.	WASHER	2.063
4.	WASHER	8.932	17.	DRIVE ASSY.	2.086
5.	ARMATURE	2.043	18.	RING - Retainer	2.096
6.	COIL SET	2.049	19.	SPRING	2.087
7.	FRAME ASSY.	2.067	20.	WASHER - Thrust	2.087
8.	BUSH	2.083	21.	BOLT - Through	2.077
9.	BRUSH SET	2.051	22.	BOLT	8.900
10.	SPRING SET	2.053	23.	BOOT	0.686
11.	COVER	2.070			



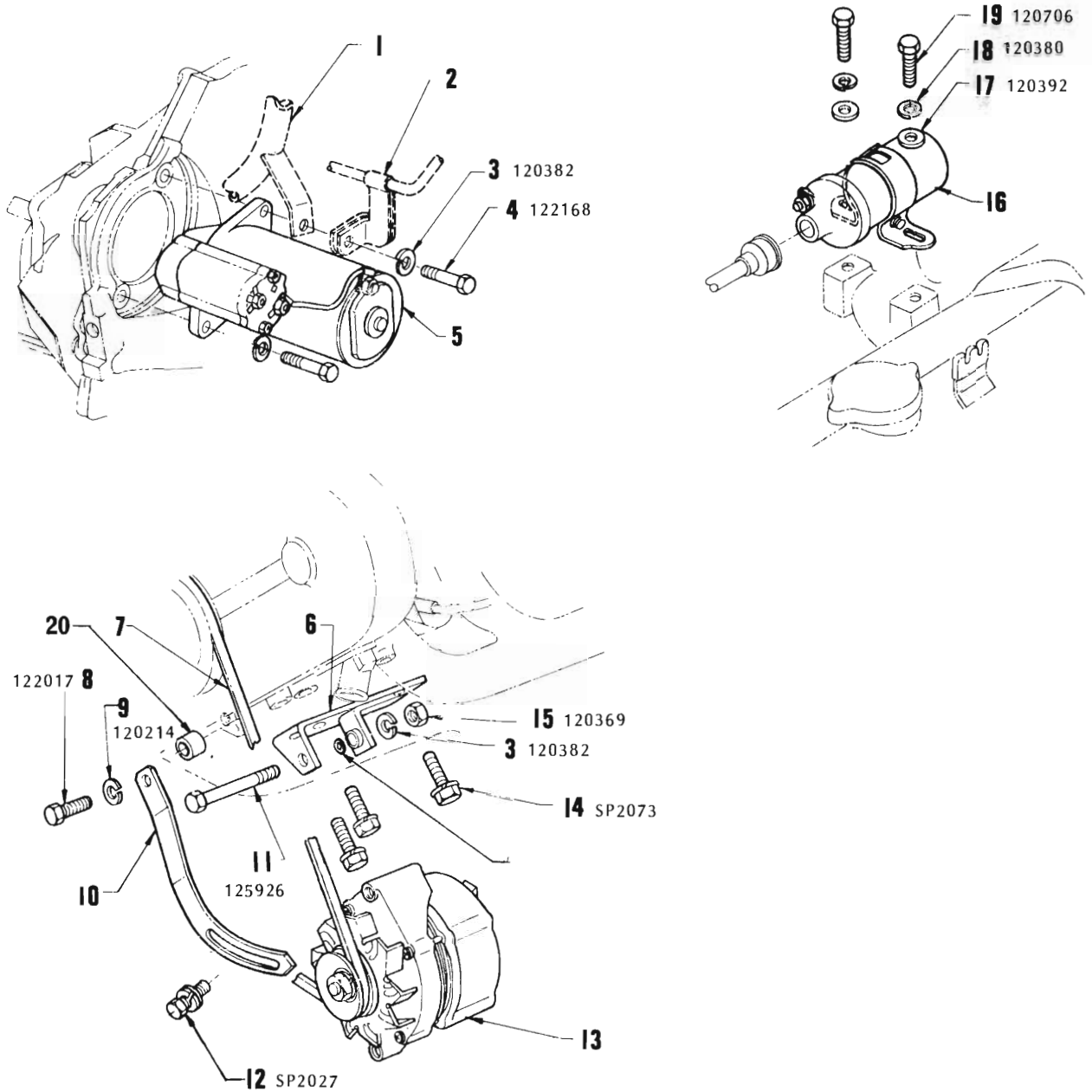
STARTER MOTOR - 1160, 1300, 70 ENGINE
Inertia Drive

ILLUS. REF. NO.	PART NAME	GROUP	ILLUS. REF. NO.	PART NAME	GROUP
1-11	STARTER MOTOR ASSY.	2.041	6.	SPRING - Pinion	2.087
1.	BRUSH SET	2.051	7.	DRIVE ASSY.	2.086
2.	FRAME ASSY. - Commutator end	2.067	8.	SLEEVE - Screwed	2.086
3.	BUSHING KIT	2.083	9.	HOUSING - Drive end	2.085
4.	RING - Collar retaining	2.096	10.	ARMATURE	2.043
5.	WASHER - Thrust	2.087	11.	COIL SET	2.049



STARTER MOTOR - 1600, 1760 ENGINE

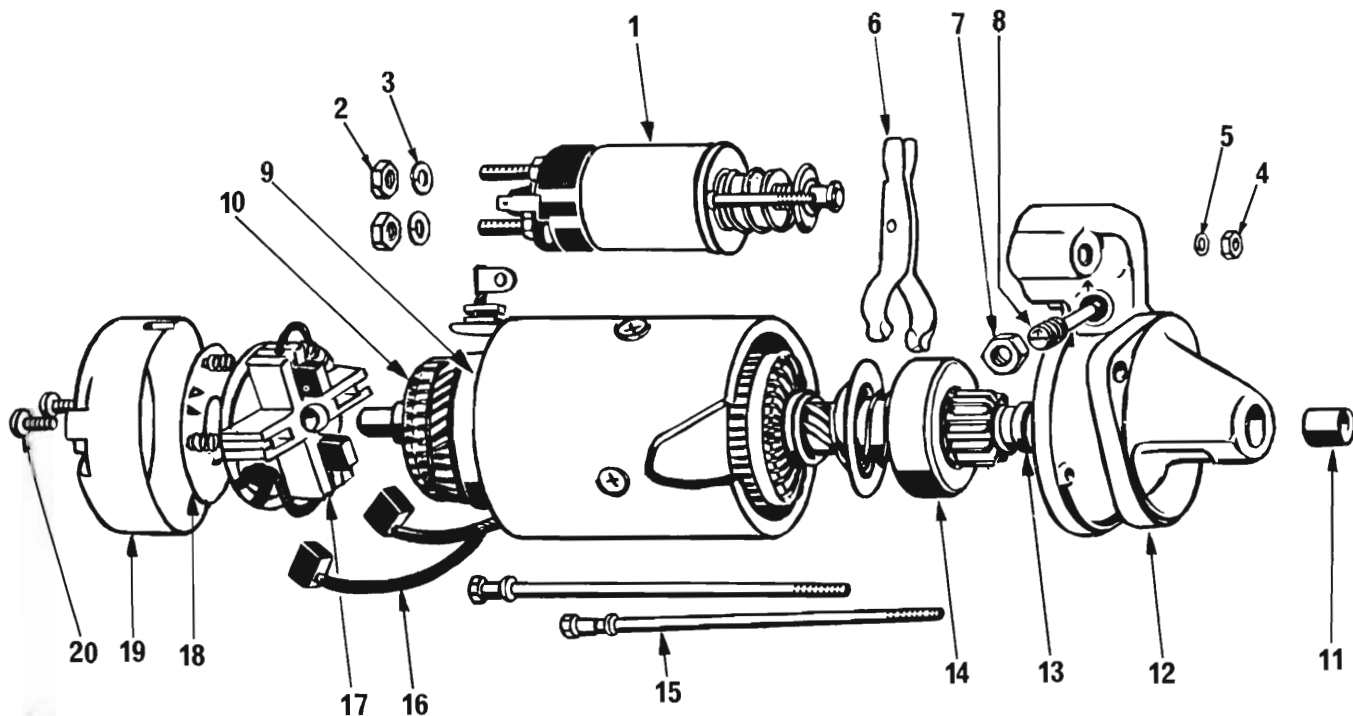
ILLUS. REF. NO.	PART NAME	GROUP	ILLUS. REF. NO.	PART NAME	GROUP
1-22.	STARTER MOTOR ASSY.	2.041	12.	WASHER - Lock, 3/8" medium	8.931
1.	TERMINAL - Field	2.077	13.	RING - Collar retaining	2.096
2.	BUSH - Terminal insulating	2.077	14.	COLLAR - Drive end	2.096
3.	PLATE - Thrust	2.063	15.	HOUSING	2.085
4.	BRUSH SET	2.051	16.	DRIVE ASSY. - Roller clutch	2.086
5.	SWITCH - Solenoid	2.100	17.	BUSHING - Pinion	2.087
6.	POLE SHOE - With long stud	2.077	18.	ARMATURE ASSY.	2.043
7.	LEVER ASSY.	2.108	19.	POLE SHOE - With short stud	2.077
8.	GROMMET	2.101	20.	COIL SET	2.049
9.	RING - Pivot pin retaining	2.108	21.	FRAME ASSY.	2.067
10.	BUSHING - Drive end	2.083	22.	BUSHING - Commutator end	2.083
11.	BOLT - 3/8" - 16 x 1.3/4"	8.900			



ELECTRICAL UNITS ATTACHING PARTS

1600, 1760 ENGINE

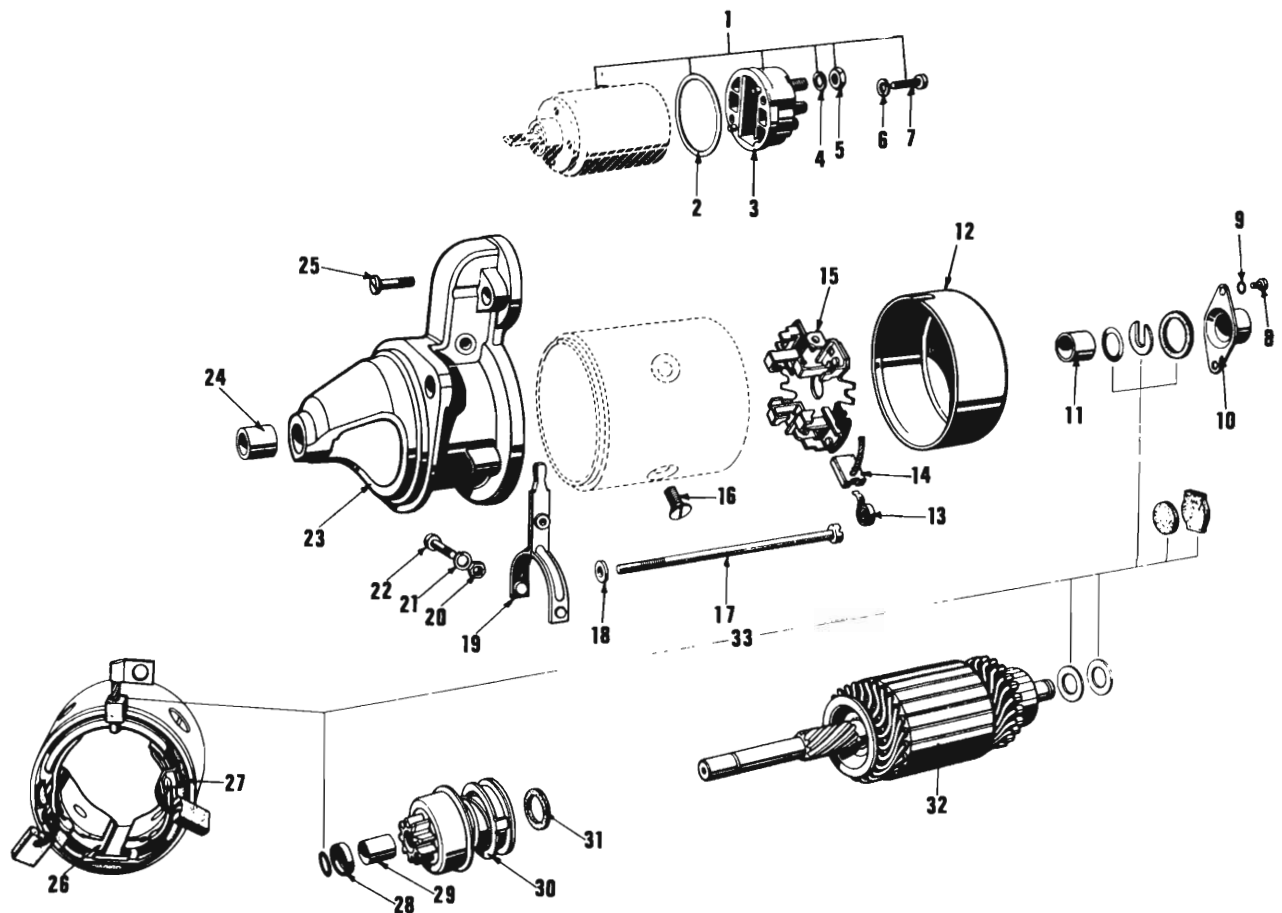
ILLUS. REF. NO.	PART NAME	GROUP	ILLUS. REF. NO.	PART NAME	GROUP
1.	TUBE ASSY. - Oil filler	4.133	10.	BRACE - Generator	2.317
2.	CLIP - Vacuum modulator pipe to converter housing	4.205	11.	BOLT - 3/8" - 24 x 3.3/4"	8.900
3.	WASHER - Lock 3/8" medium	8.931	12.	BOLT - Generator to brace	2.275
4.	BOLT - 3/8" - 16 x 1.3/4"	8.900	13.	GENERATOR ASSY.	2.275
5.	MOTOR ASSY. - Starter	2.041	14.	BOLT - Bracket to cylinder block 5/16" - 18 x 1.3/4"	2.277
6.	BRACKET ASSY. - Generator mounting	2.277	15.	NUT - 3/8" - 24 light	8.915
7.	BELT - Fan & generator	1.066	16.	COIL ASSY. - Ignition	2.170
8.	BOLT - Brace to cylinder block 5/16" - 18 x 11/16"	8.900	17.	WASHER - 9/32" x 5/8" x .065"	8.929
9.	WASHER - Lock 5/16" medium	8.931	18.	WASHER - Lock 1/4" medium	8.931
			19.	BOLT - 1/4" - 20 x 1/2"	8.900
			20.	SPACER - Brake	2.317



STARTER MOTOR – LUCAS

6 CYLINDER ENGINE

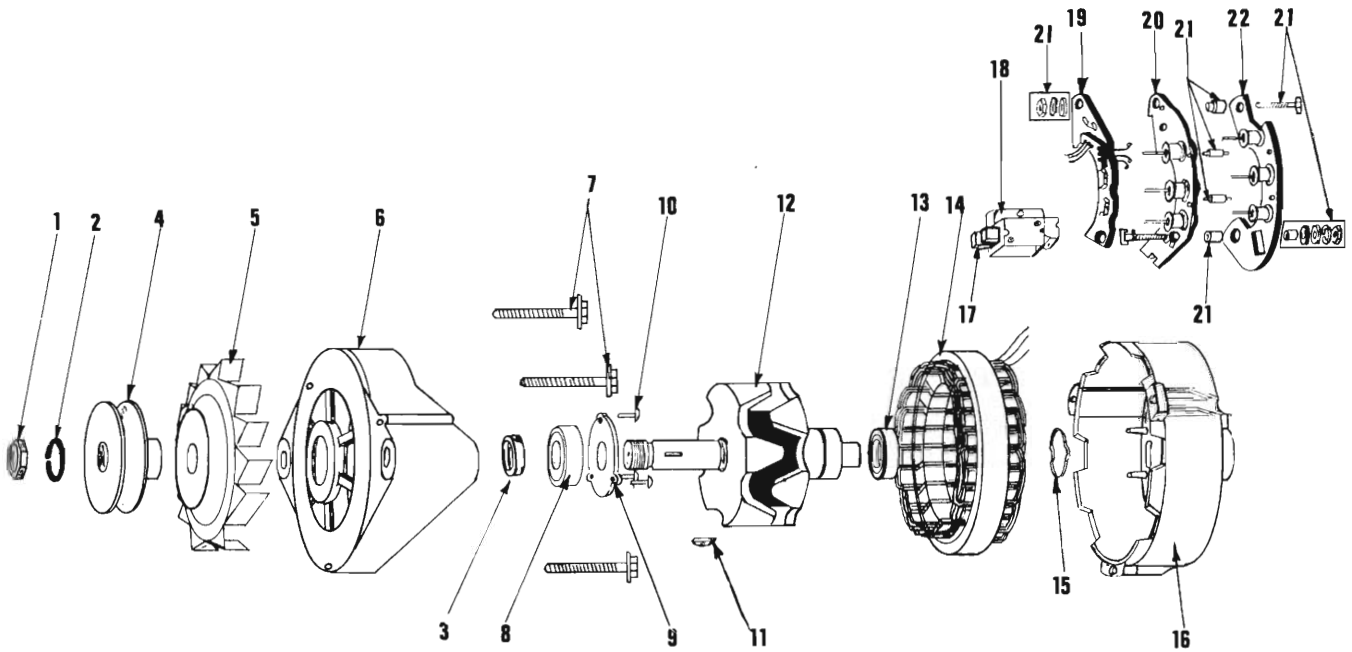
ILLUS. REF. NO.	PART NAME	GROUP	ILLUS. REF. NO.	PART NAME	GROUP
1 – 20	STARTER MOTOR ASSY.	2.041	11.	BUSHING – Drive end	2.083
1.	SWITCH ASSY. – Solenoid	2.100	12.	HOUSING – Starter motor drive	2.085
2.	NUT – Terminal	2.100	13.	COLLAR – Drive end	2.096
3.	WASHER – Terminal nut	2.100	14.	DRIVE ASSY.	2.086
4.	NUT – Switch attaching	2.100	15.	BOLT – Starter motor through	2.077
5.	WASHER – Switch attaching nut	2.100	16.	BRUSH SET – Starter motor	2.051
6.	LEVER – Starter motor shift	2.108	17.	HOLDER – Starter motor brush	2.052
7.	NUT – Pivot pin	2.108	18.	SPRING & PLATE ASSY. – Starter motor	
8.	PIN – Shaft lever pivot	2.108		brush	2.053
9.	COIL SET	2.049	19.	FRAME ASSY. – Commutator end	2.067
10.	ARMATURE	2.043	20.	SCREW – Attaching	2.052



STARTER MOTOR — (Bosch)

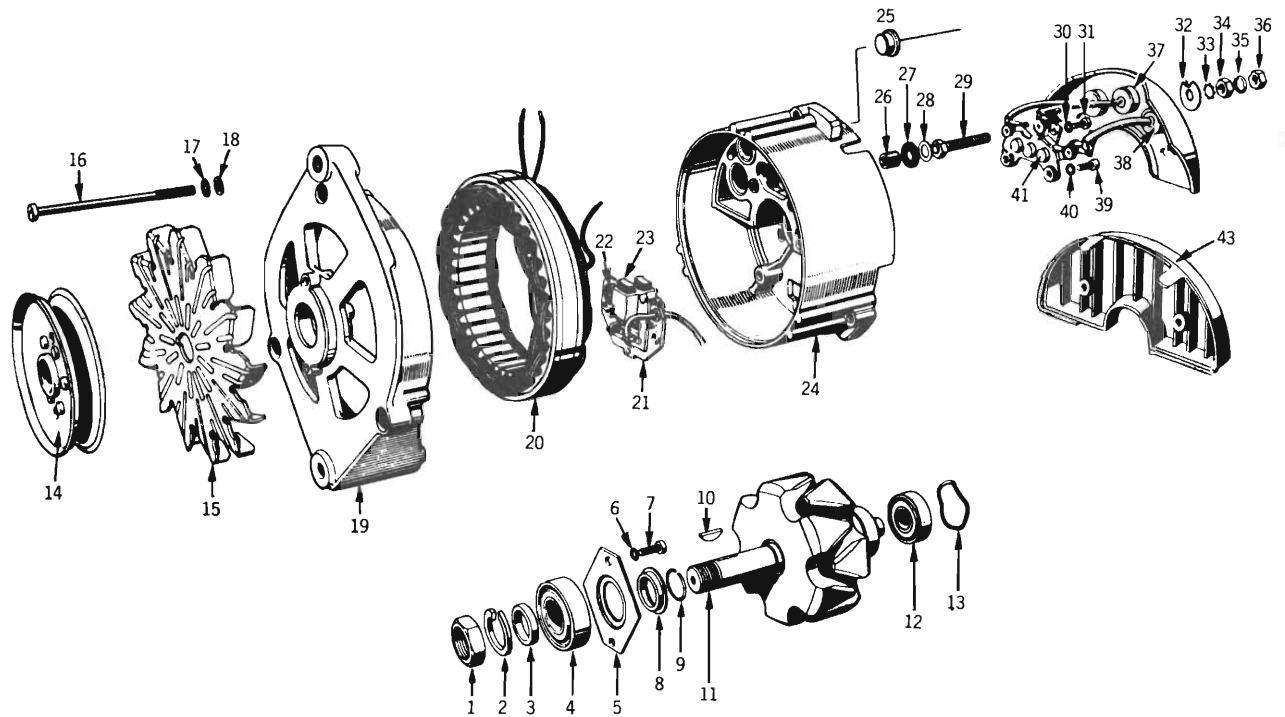
6 Cylinder Engine

ILLUS. REF. NO.	PART NAME	GROUP	ILLUS. REF. NO.	PART NAME	GROUP
1 - 33.	STARTER MOTOR ASSY.	2.041	17.	BOLT — Through	2.077
1.	SWITCH — Solenoid	2.100	18.	WASHER — Through bolt	2.077
2.	GASKET — Solenoid	2.102	19.	LEVER	2.108
3.	COVER — Solenoid switch	2.102	20.	NUT	2.108
4.	WASHER — Terminal nut	2.100	21.	WASHER	2.108
5.	NUT — Terminal	2.100	22.	BOLT	2.108
6.	WASHER — Cover attaching screw	2.102	23.	HOUSING	2.085
7.	SCREW — Cover attaching	2.102	24.	BUSHING — Drive end	2.083
8.	SCREW — Bearing cap	2.063	25.	SCREW — Solenoid switch attaching	2.100
9.	WASHER — Bearing cap screw	2.063	26.	COIL ASSEMBLY	2.049
10.	CAP — Bearing	2.063	27.	INSULATOR	2.049
11.	BUSHING — Commutator end cover	2.083	28.	RING — Stop	2.096
12.	FRAME ASSEMBLY	2.067	29.	BUSHING — Drive	2.087
13.	SPRING — Brush	2.053	30.	DRIVE ASSEMBLY	2.086
14.	BRUSH SET	2.051	31.	BUFFER — Drive	2.087
15.	PLATE — Brush holder	2.052	32.	ARMATURE	2.043
16.	SCREW — Pole shoe	2.077	33.	SUNDRY PARTS SET	2.080



GENERATOR
Lucas

ILLUS. REF. NO.	PART NAME	GROUP	ILLUS. REF. NO.	PART NAME	GROUP
1-22	GENERATOR ASSY.	2.275	12.	ROTOR	2.279
1.	NUT - Rotor shaft	2.280	13.	BEARING - Slip ring end	2.298
2.	WASHER - Lock	2.280	14.	STATOR	2.310
3.	COLLAR - Distance	2.307	15.	WASHER - Wave	2.297
4.	PULLEY ASSEMBLY	2.274	16.	PLATE - Slip ring end	2.297
5.	FAN - Generator	2.274	17.	BRUSH SET	2.285
6.	PLATE - Drive end	2.305	18.	BRUSH BOX MOULDING	2.291
7.	BOLT - Through	2.316	19.	PLATE - Field terminal with diodes ..	2.289
8.	BEARING - Drive end	2.307	20.	SINK - Positive heat with diodes ..	2.289
9.	PLATE - Bearing retainer	2.307	21.	SUNDRY PARTS SET - Heat sink mtg.	2.289
10.	SCREW - Bearing retainer plate	2.307	22.	SINK - Negative heat with diodes ..	2.289
11.	KEY - Woodruff	2.279			

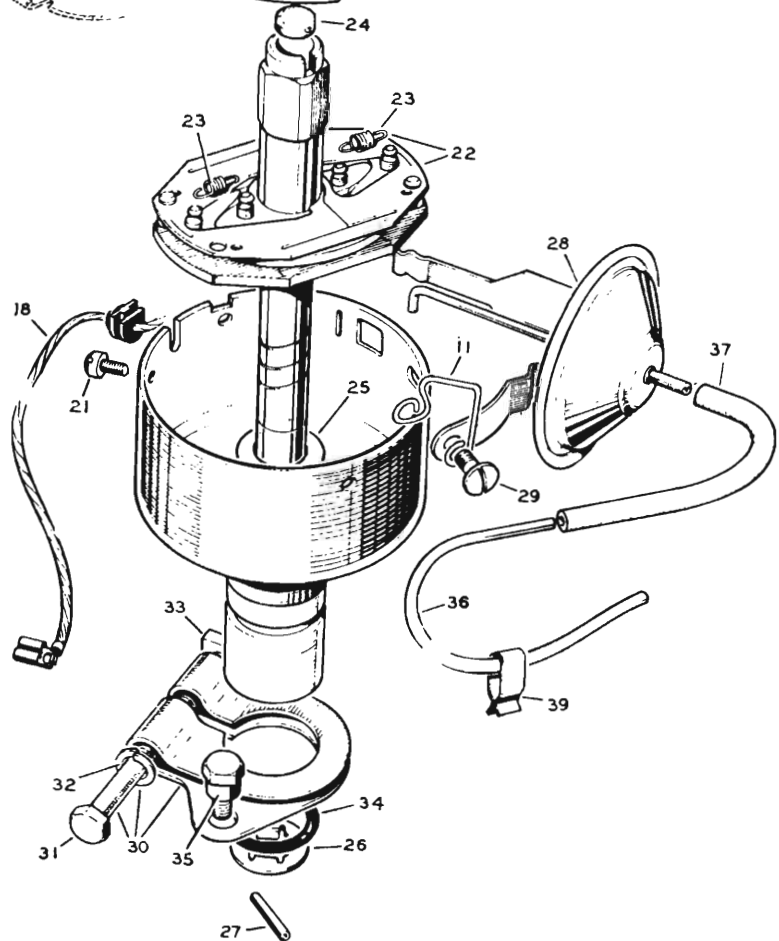
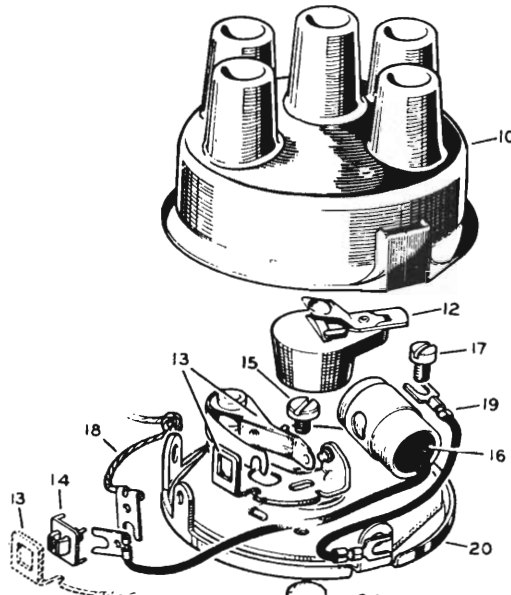
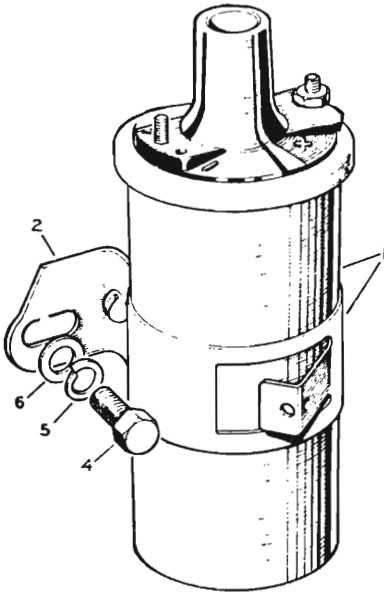


GENERATOR
Diode Rectified – Bosch

ILLUS. REF. NO.	PART NAME	GROUP	ILLUS. REF. NO.	PART NAME	GROUP	
1-43	GENERATOR ASSY.	2.275	1.	COMPONENTS OF SUNDRY PARTS KIT – BEARING COVER PLATE 2.307		
1.	NUT – Rotor	2.280	2.			
2.	LOCKWASHER	2.280	3.			
4.	BEARING – Drive end	2.306	5.			
10.	KEY – Woodruff	2.279	6.			
11.	ROTOR	2.279	7.			
12.	BEARING – Slip ring end	2.298	8.			
14.	PULLEY ASSY.	2.274	9.			
15.	FAN	2.274	10.			
16.	BOLT – Through	2.316	13.			
17.	WASHER – Lock	2.316	26.		COMPONENTS OF SUNDRY PARTS KIT – HEAT SINK MOUNTING 2.289	
18.	WASHER – Plain	2.316	27.			
19.	PLATE – Drive end	2.305	28.			
20.	STATOR	2.310	29.			
21.	BRUSH PLATE ASSY.	2.291	30.			
22.	SPRING – Bush	2.286	31.			
23.	BRUSH SET	2.285	32.			
24.	HOUSING – Slip ring end plate	2.297	33.			
25.	DIODE – Negative	2.287	34.			
37.	SINK – Heat, positive with diodes	2.289	35.			
38.	DIODE – Positive	2.287	36.			
41.	SINK – Heat, exciter with diodes	2.289	39.			
43.	COVER – Slip ring end	2.297	40.			

IGNITION COIL & DISTRIBUTOR

1160, 1300, 70 ENGINE

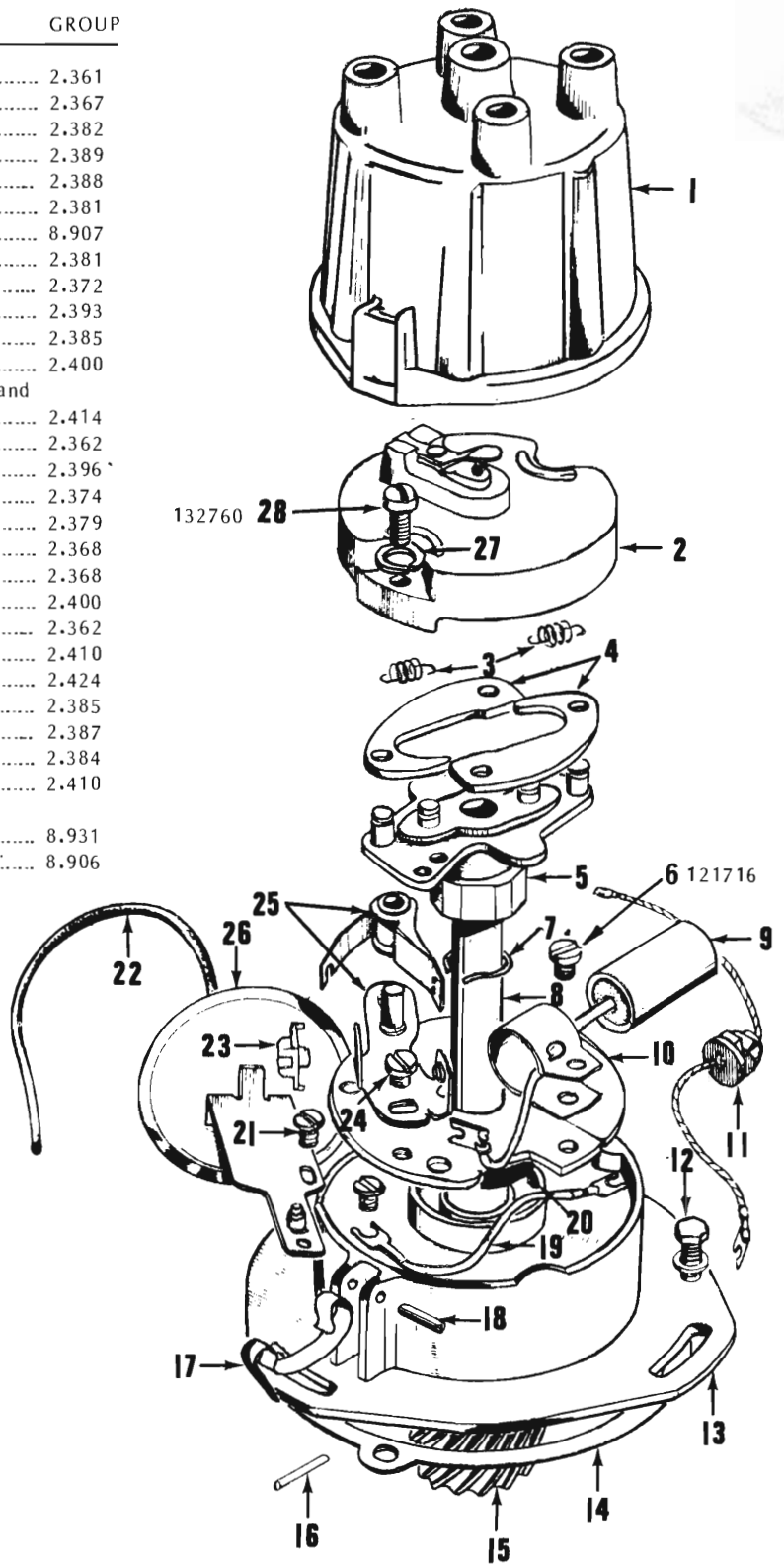


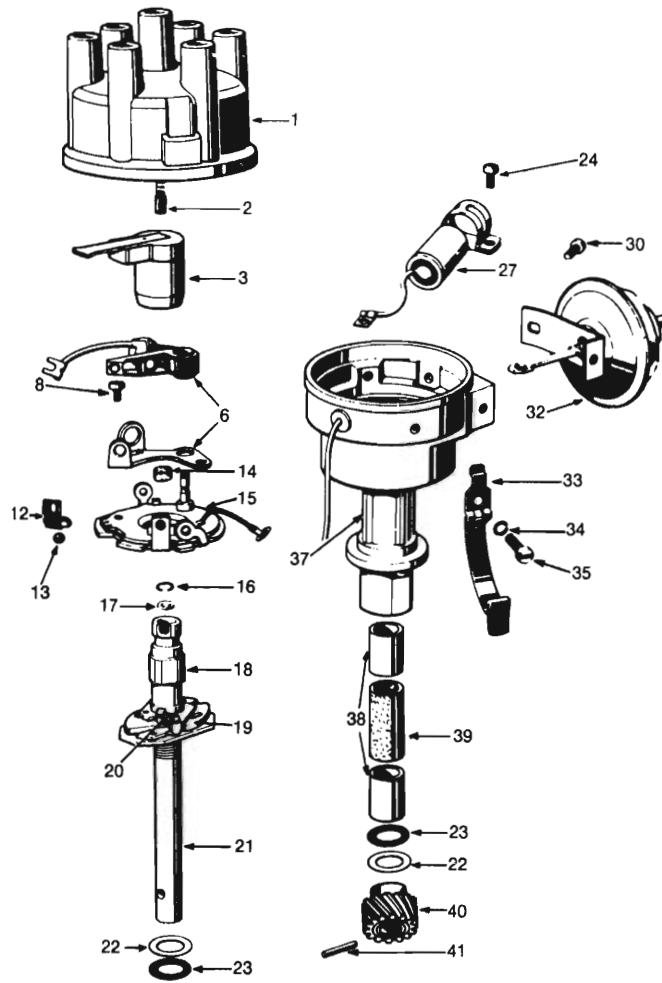
ILLUS. REF. NO. PART NAME GROUP

1.	COIL	2.170
2.	BRACKET	2.170
4.	BOLT	8.900
5.	WASHER	8.931
6.	WASHER	8.929
10.	CAP	2.367
11.	SPRING	2.368
12.	ROTOR	2.382
13.	CONTACT SET	2.384
14.	INSULATOR	2.385
15.	SCREW	2.387
16.	CONDENSER	2.393
17.	SCREW	2.393
18.	LEAD - Low tension	2.400
19.	LEAD - Earth	2.400
20.	PLATE - Breaker	2.385
21.	SCREW	2.385
22.	SHAFT & CAM	2.372
23.	SPRING SET	2.389
24.	WICK	2.364
25.	WASHER - Upper	2.372
26.	WASHER - Lower	2.372
27.	PIN	2.372
28.	VACUUM CONTROL	2.410
29.	SCREW	2.368
30.	CLAMP	2.414
31.	BOLT	2.414
32.	WASHER	8.931
33.	NUT	8.923
34.	SEAL	2.362
35.	BOLT	8.900
36.	PIPE	2.424
37.	CONNECTOR	2.424
39.	CLIP	2.424

DISTRIBUTOR - 1600, 1760 ENGINE

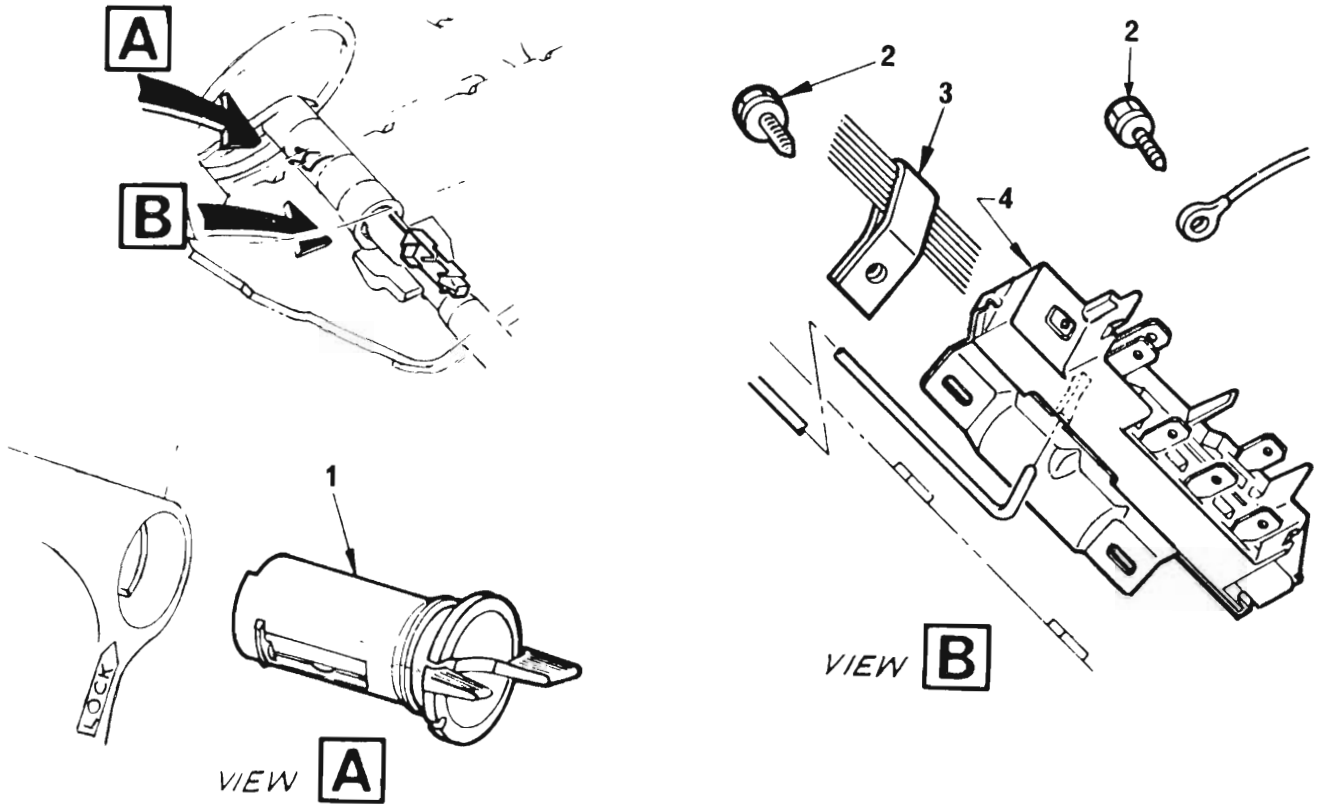
ILLUS. REF. NO.	PART NAME	GROUP
1-28	DISTRIBUTOR ASSY.	2.361
1.	CAP - Distributor	2.367
2.	ROTOR	2.382
3.	SPRING SET	2.389
4.	WEIGHT	2.388
5.	CAM	2.381
6.	BOLT - No.8 - 32 x 1/4" (slotted)	8.907
7.	RETAINER - Spring	2.381
8.	SHAFT	2.372
9.	CONDENSER	2.393
10.	PLATE - Contact breaker	2.385
11.	LEAD - Low tension, with grommet	2.400
12.	SCREW & WASHER ASSY. - Distributor and oil pump to block	2.414
13.	BASE - Distributor housing	2.362
14.	GASKET - Distributor to oil pump	2.396
15.	GEAR - Distributor	2.374
16.	PIN - Distributor gear	2.379
17.	CLIP - Distributor cap retaining	2.368
18.	PIN - Distributor cap retaining clip	2.368
19.	LEAD - Earth	2.400
20.	WASHER - Felt	2.362
21.	SCREW - Vacuum control attaching	2.410
22.	PIPE - Spark control	2.424
23.	INSULATOR - Circuit breaker	2.385
24.	SCREW - Contact point locking	2.387
25.	CONTACT SET	2.384
26.	VACUUM CONTROL	2.410
27.	WASHER - Lock, No.10 medium (Black Enamel)	8.931
28.	BOLT - No.8 - 32 x 1/2" (slotted)	8.906





DISTRIBUTOR
Bosch - 6 Cylinder Engine

ILLUS. REF. NO.	PART NAME	GROUP	ILLUS. REF. NO.	PART NAME	GROUP
1-41	DISTRIBUTOR ASSY.	2.361	22.	SHIM - Thrust, and lower	2.372
1.	CAP	2.367	23.	WASHER - Thrust fibre, upper and lower	2.372
2.	BRUSH - Cap	2.370	24.	SCREW - Condenser attaching	2.393
3.	ROTOR	2.382	27.	CONDENSER	2.393
6.	CONTACT SET	2.384	30.	SCREW - Attaching	2.410
8.	SCREW - Contact breaker	2.387	32.	VACUUM CONTROL	2.410
12.	RETAINER - Plate ball	2.385	33.	SPRING	2.368
13.	BALL - Plate retaining	2.385	34.	WASHER - Support screw lock	2.385
14.	WICK	2.364	35.	SCREW - Support	2.385
15.	PLATE and SUPPORT ASSY.	2.385	37.	HOUSING	N.S.S.
16.	CIRCLIP - Cam retainer	2.381	38.	BUSHING - Upper and lower	2.362
17.	WASHER - Cam retainer	2.381	39.	FELT - Lubricating	2.362
18.	CAM	2.381	40.	GEAR PACKAGE	2.374
19.	WEIGHT	2.388	41.	PIN - Slotted spring	2.379
20.	SPRING	2.389			
21.	SHAFT	2.372			

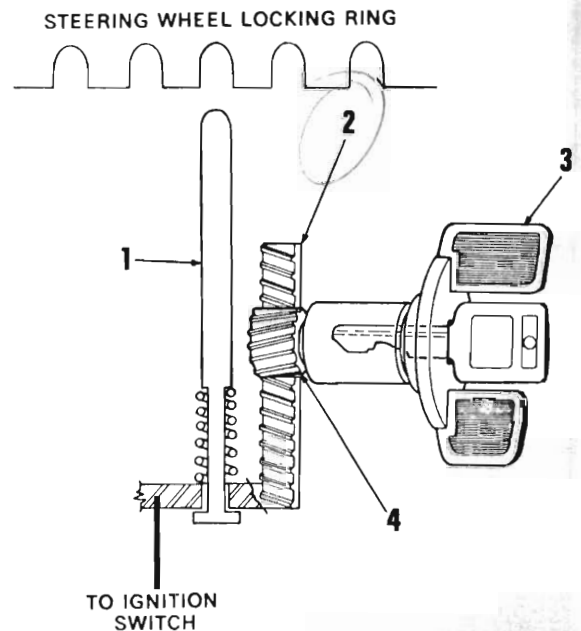


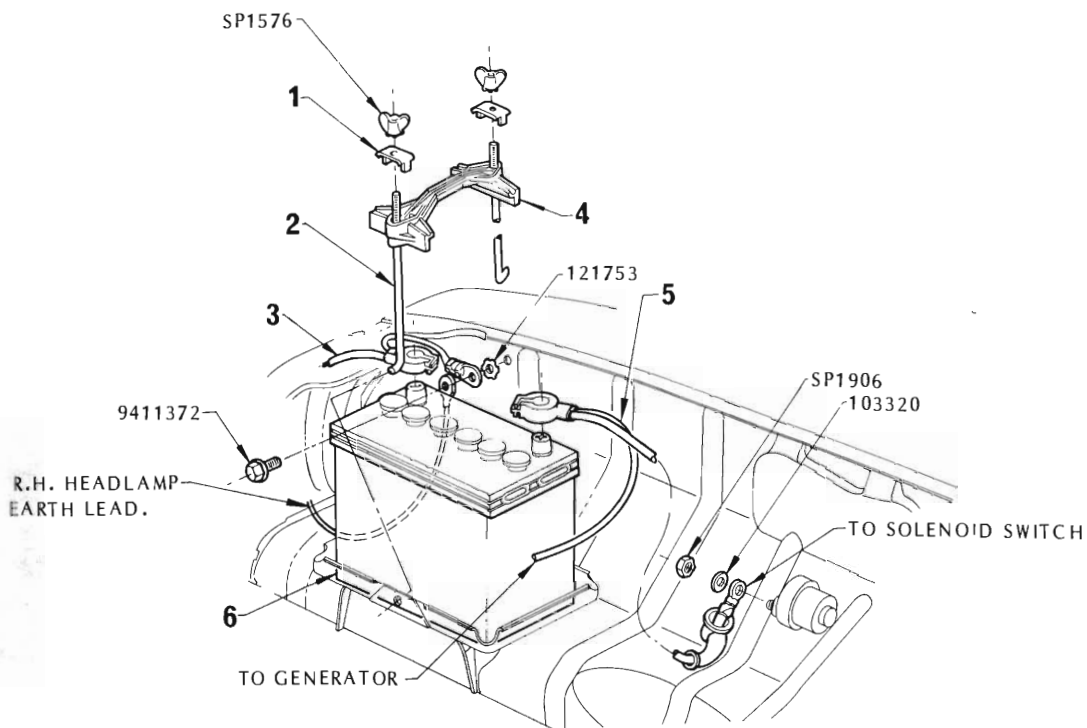
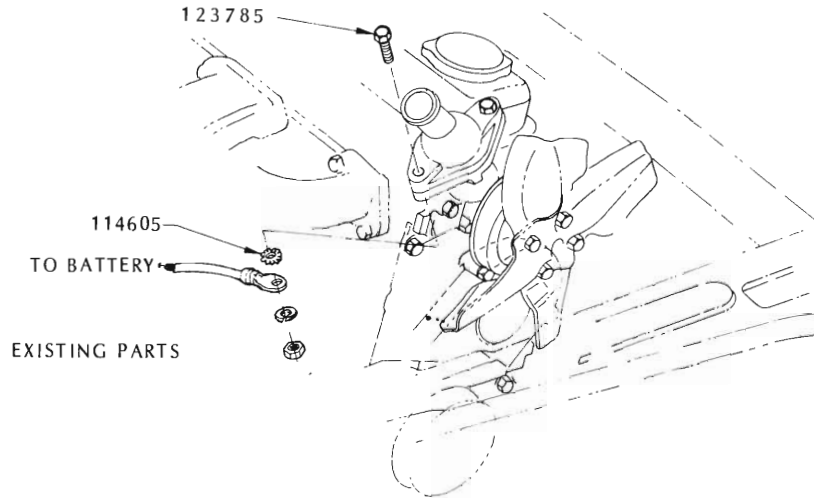
IGNITION AND STARTER SWITCH

ILLUS. REF. NO.	PART NAME	GROUP	ILLUS. REF. NO.	PART NAME	GROUP
1.	LOCK ASSY. - Ignition	2.188	3.	CLIP - Harness to ignition switch screw	2.895
2.	BOLT - Switch to column	2.188	4.	SWITCH ASSY. - Ignition & starter	2.188

IGNITION LOCK

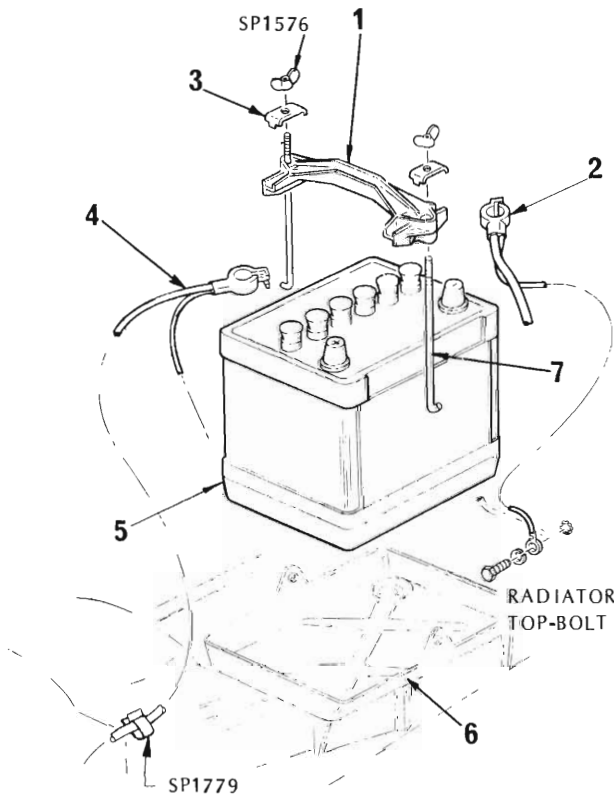
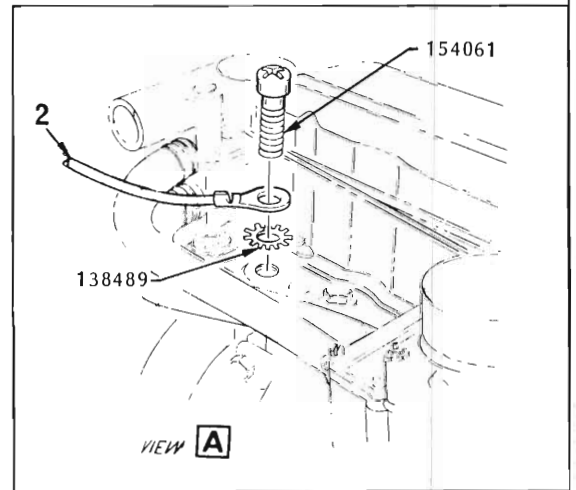
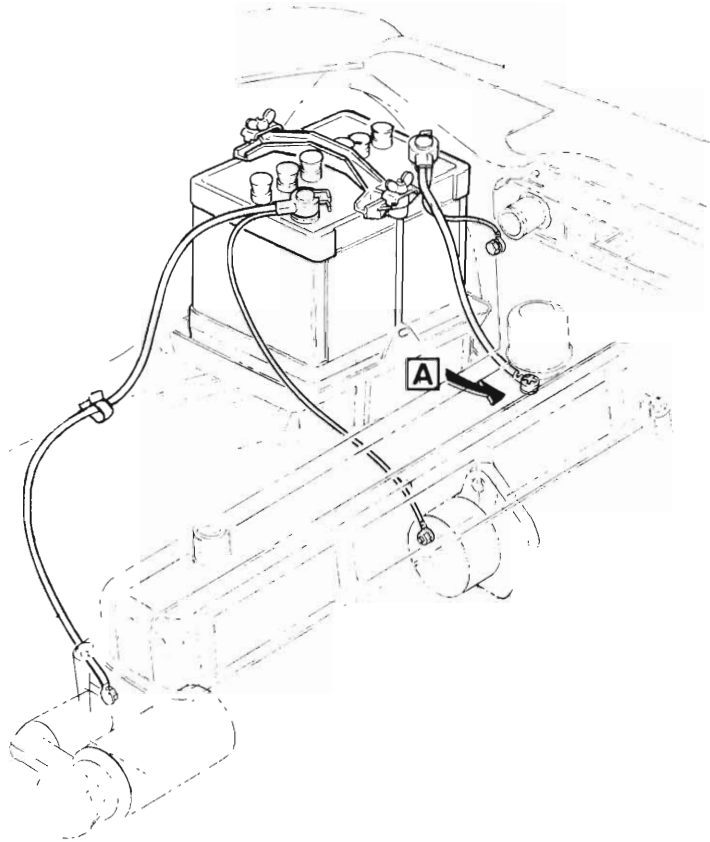
ILLUS. REF. NO.	PART NAME	GROUP
1.	BOLT & SPRING ASSY. - Steering lock	2.188
2.	RACK & ROD	2.195
3.	LOCK ASSY. - Ignition	2.188
4.	SECTOR	2.195





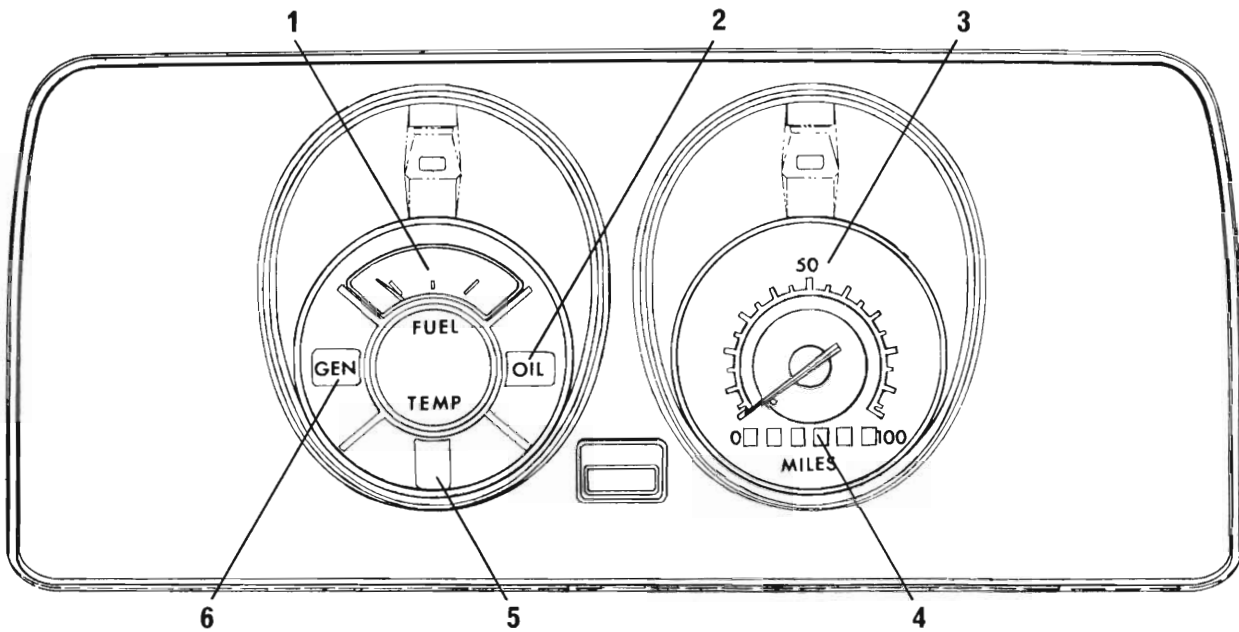
BATTERY RETAINER and CABLES
4 Cyl. Engine

ILLUS. REF. NO.	PART NAME	GROUP
1.	PLATE — Retainer lock	2.333
2.	BOLT — Mounting	2.333
3.	CABLE ASSEMBLY — Ground	2.341
4.	RETAINER	2.333
5.	CABLE ASSEMBLY — Starter	2.342
6.	BATTERY	2.332

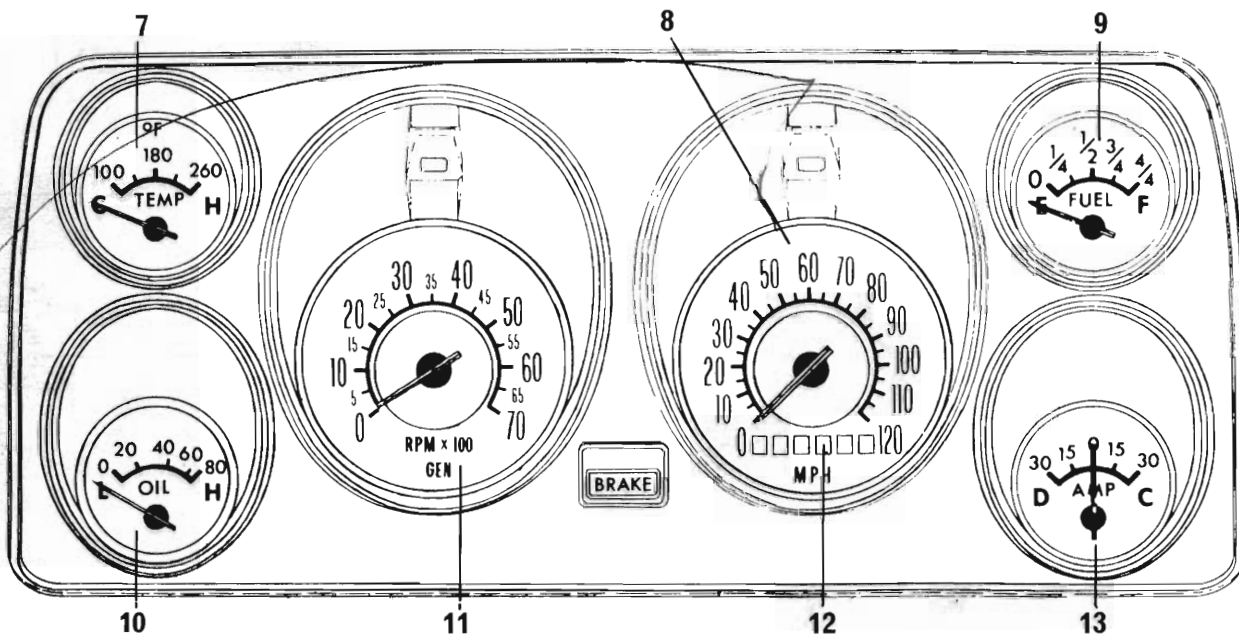


BATTERY RETAINER and CABLES
6 Cyl. Engine

ILLUS. REF. NO.	PART NAME	GROUP
1.	RETAINER	2.333
2.	CABLE ASSEMBLY - Ground	2.341
3.	PLATE - Retainer lock	2.333
4.	CABLE ASSEMBLY - Starter	2.342
5.	BATTERY	2.332
6.	SUPPORT - Battery	2.333
7.	BOLT - Mounting	2.333

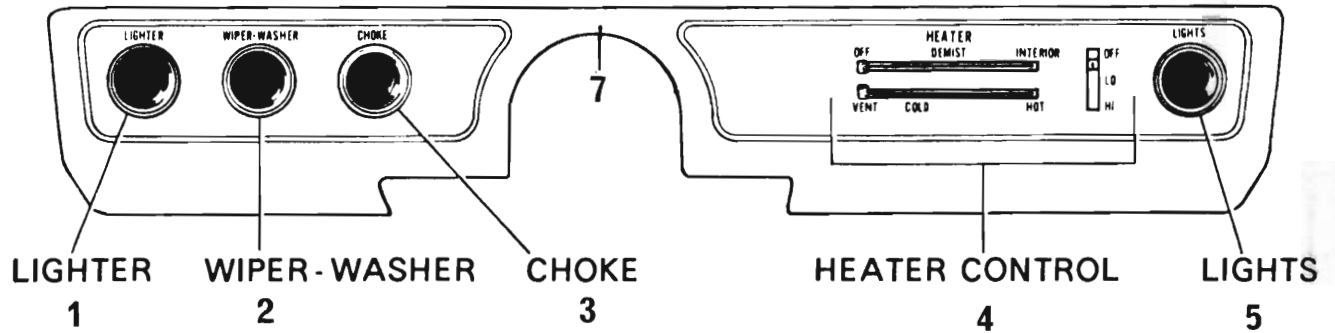


STANDARD INSTRUMENT CLUSTER

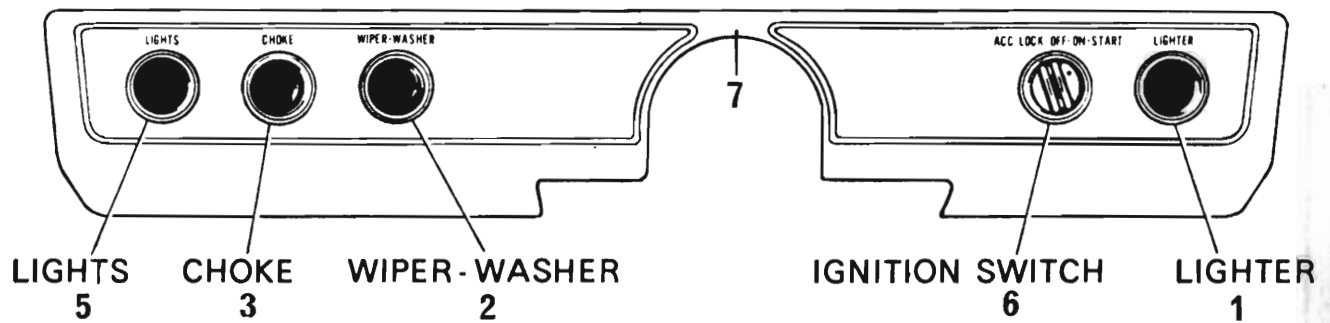


SPORTS INSTRUMENT CLUSTER

ILLUS. REF. NO.	PART NAME	GROUP	ILLUS. REF. NO.	PART NAME	GROUP
1.	GAUGE - Fuel	2.515	8.	SPEEDOMETER ASSY.	2.515
2.	LENS - Oil pressure warning lamp	2.515	9.	GAUGE - Fuel	2.515
3.	SPEEDOMETER ASSY.	2.515	10.	GAUGE - Oil	2.515
4.	ODOMETER ASSY.	2.515	11.	TACHOMETER ASSY.	2.515
5.	LENS - Temperature warning	2.515	12.	ODOMETER ASSY.	2.515
6.	LENS - Generator warning	2.515	13.	AMMETER	2.515
7.	GAUGE - Temperature	2.515			

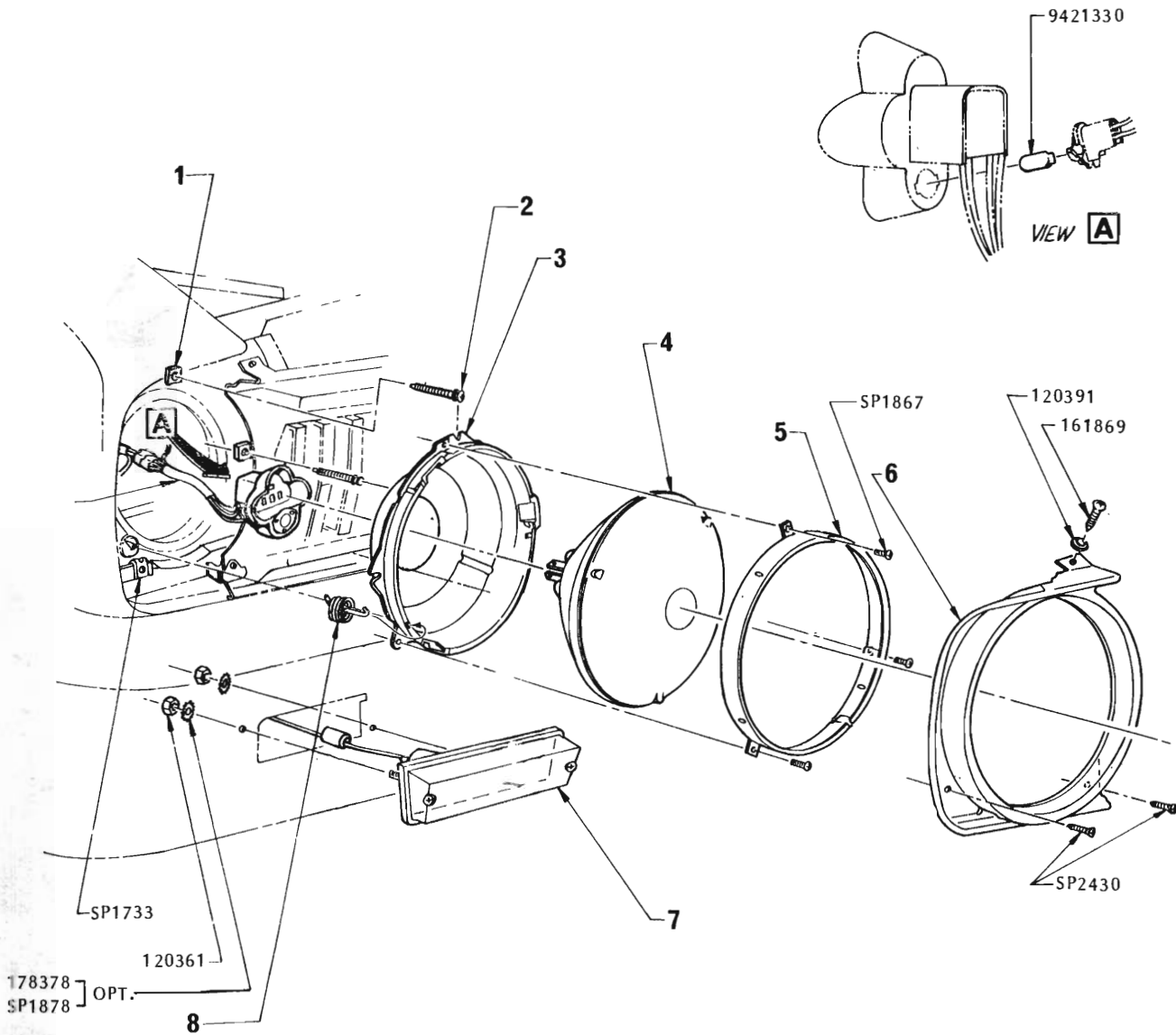


CONTROL PANEL RHD



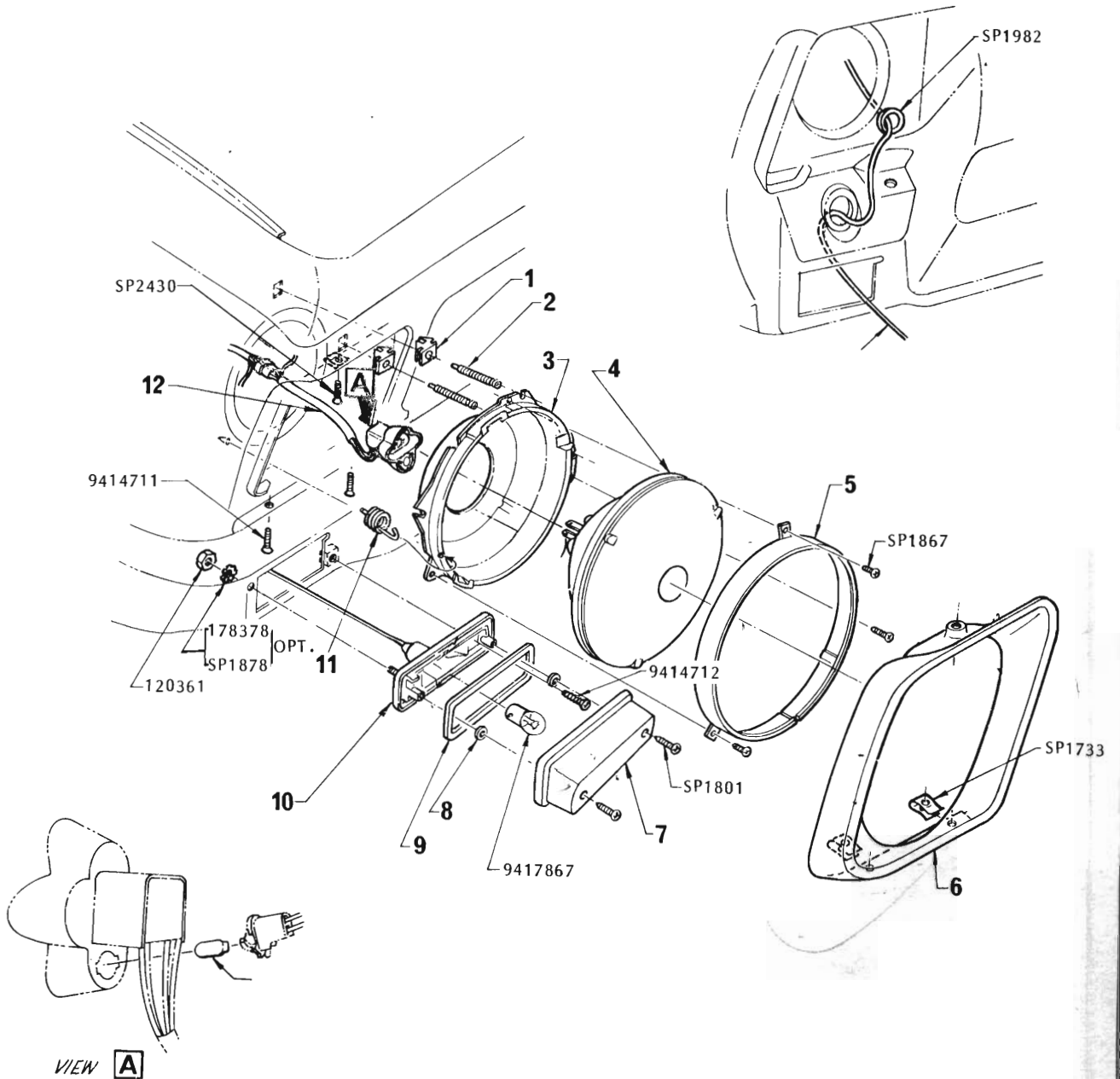
CONTROL PANEL LHD

ILLUS. REF. NO.	PART NAME	GROUP
1.	LIGHTER ASSY. - Cigarette	9.709
2.	SWITCH - Windshield wiper & washer	10.163
3.	CONTROL - Choke	3.521
4.	HEATER CONTROL	9.779
5.	SWITCH - Lighting	2.485
6.	SWITCH - Ignition and starting	2.188
7.	PANEL - Instrument	9.743



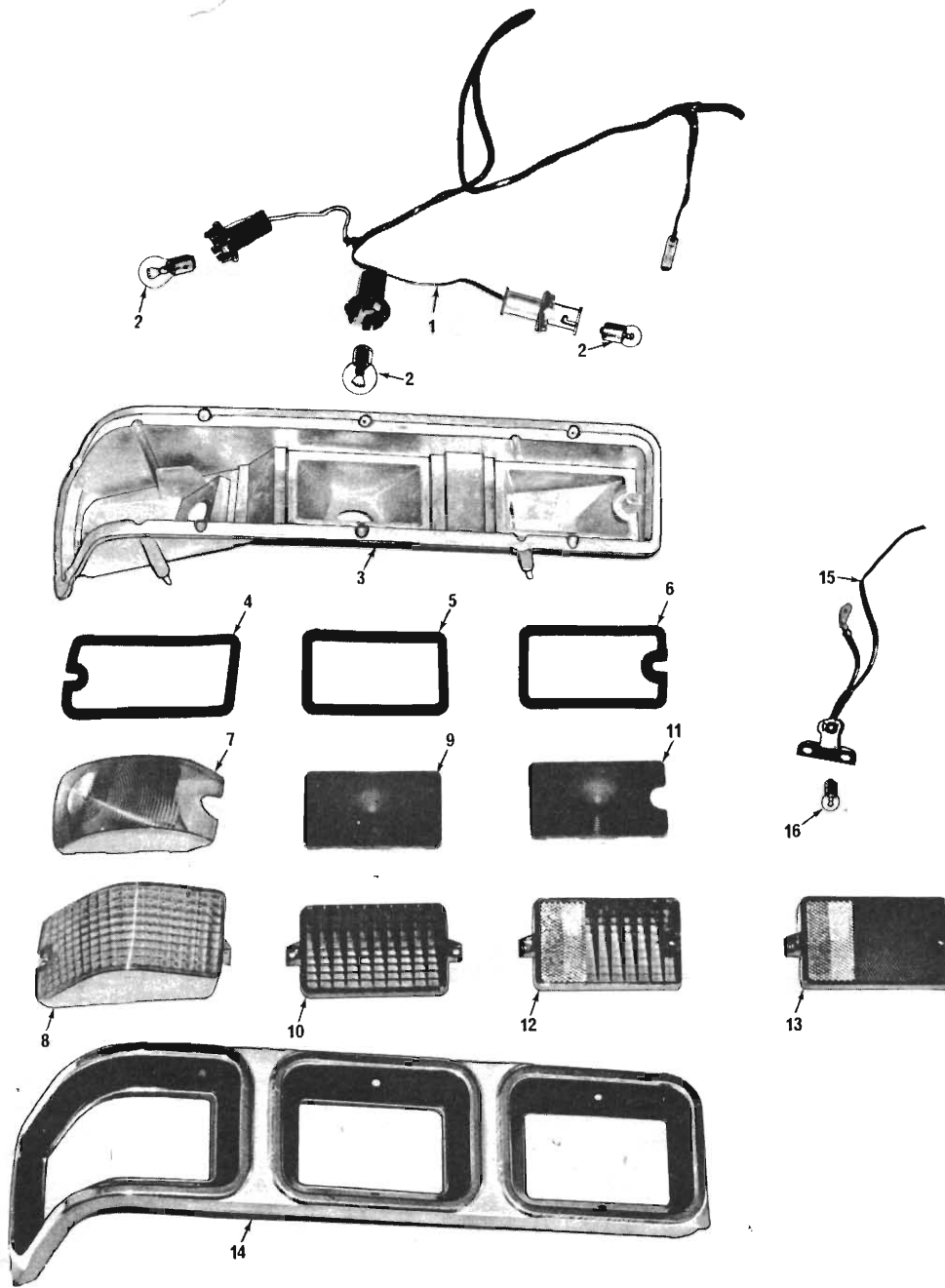
**HEADLAMP and PARKING LAMP
4 Cylinder Engine**

ILLUS. REF. NO.	PART NAME	GROUP
1.	NUT - Adjusting	2.729
2.	SCREW - Beam adjusting	2.737
3.	RING - Mounting	2.726
4.	SEALED BEAM ASSEMBLY	2.727
5.	RING ASSEMBLY - Retaining	2.731
6.	RIM	2.728
7.	LAMP ASSEMBLY - Parking & turn signal..	2.585
8.	SPRING - Light unit retaining	2.737



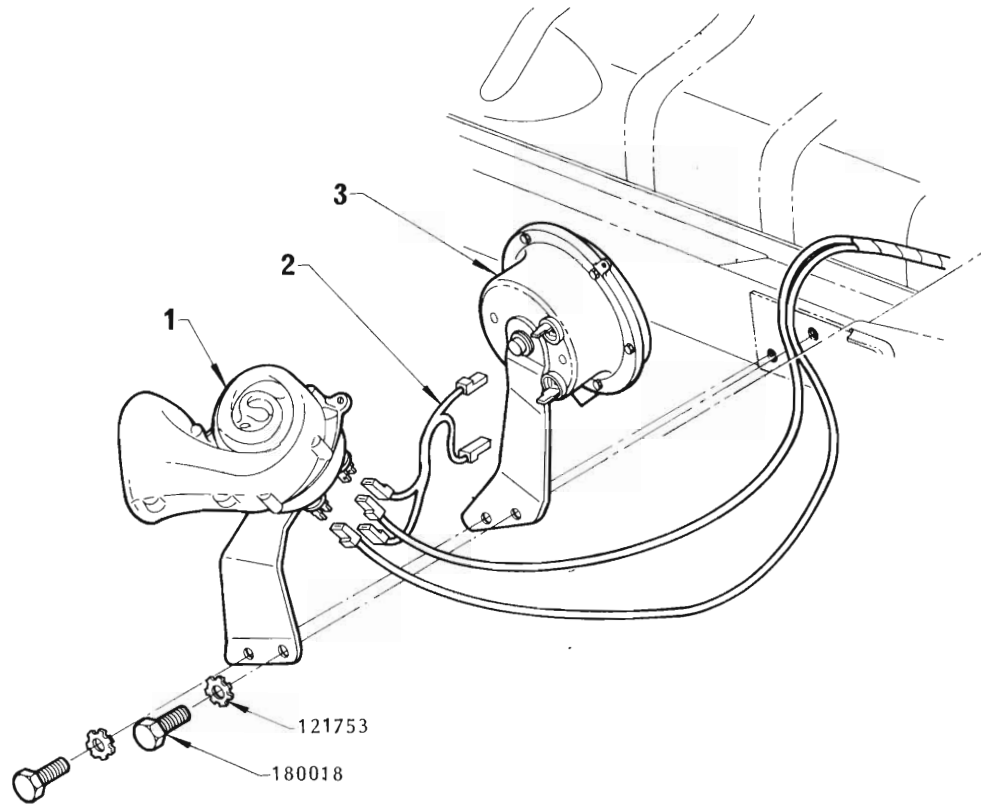
**HEADLAMP and PARKING LAMP
6 Cylinder Engine**

ILLUS. REF. NO.	PART NAME	GROUP
1.	NUT – Adjusting	2.729
2.	SCREW – Beam adjusting	2.737
3.	RING – Mounting	2.726
4.	SEALED BEAM ASSEMBLY	2.727
5.	RING ASSEMBLY – Retaining	2.731
6.	RIM	2.728
7.	LENS – Parking & turn signal lamp	2.589
8.	BULB – Parking & turn signal lamp	2.585
9.	GASKET – Parking & turn signal lamp lens	2.590
10.	BODY ASSEMBLY – Parking & turn signal lamp	2.586
11.	SPRING – Light unit retaining	2.737
12.	LEAD ASSEMBLY	2.596



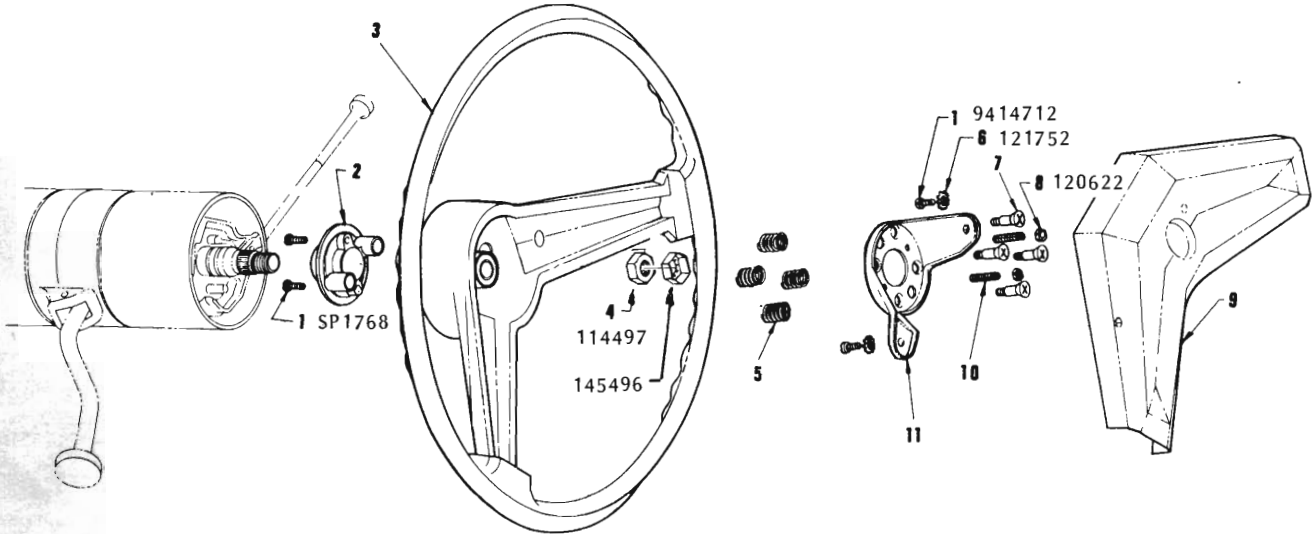
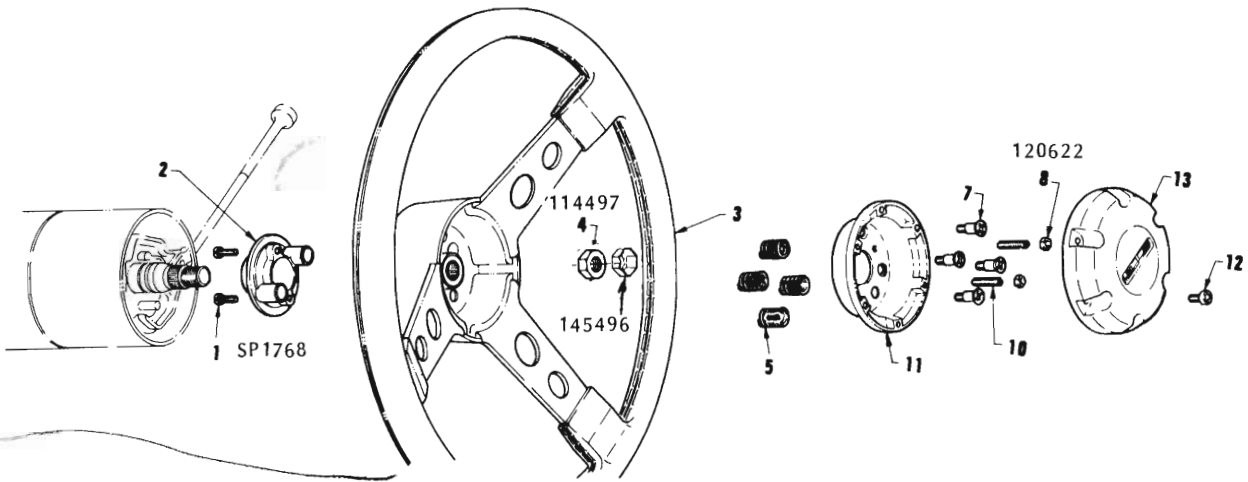
TAIL, STOP, TURN SIGNAL and BACK-UP LAMP

ILLUS. REF. NO.	PART NAME	GROUP	ILLUS. REF. NO.	PART NAME	GROUP
1	HARNESS ASSY. — Body wiring	13.090	9.	LENS — Tail & Stop, inner	2.682
2.	BULB	2.679	10.	LENS — Tail & Stop, outer	2.682
3.	BASE	2.679	11.	LENS — Tail, inner	2.682
4.	GASKET — Turn signal & back-up lens	2.684	12.	LENS — Tail, outer (6 cyl.)	2.682
5.	GASKET — Tail & stop lens	2.684	13.	LENS — Tail, reflex (4 cyl.)	2.682
6.	GASKET — Tail lens	2.682	14.	RIM	2.681
7.	LENS — Turn signal & back-up, inner	2.682	15.	HARNESS ASSY. — Licence lamp	2.714
8.	LENS — Turn signal & back-up, outer	2.682	16.	BULB	2.682



HORNS

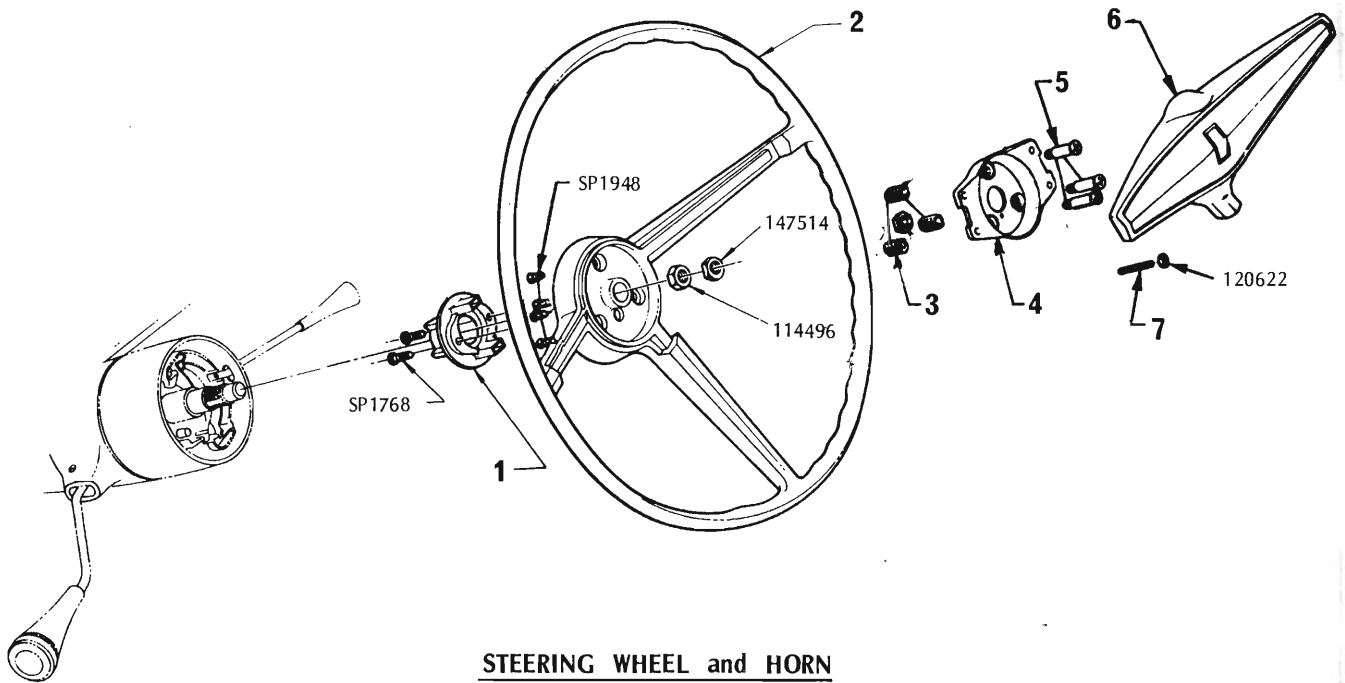
ILLUS. REF. NO.	PART NAME	GROUP
1.	HORN - Low note	2.810
2.	LEAD ASSEMBLY	2.810
3.	HORN - High note	2.810



STEERING WHEEL AND HORN

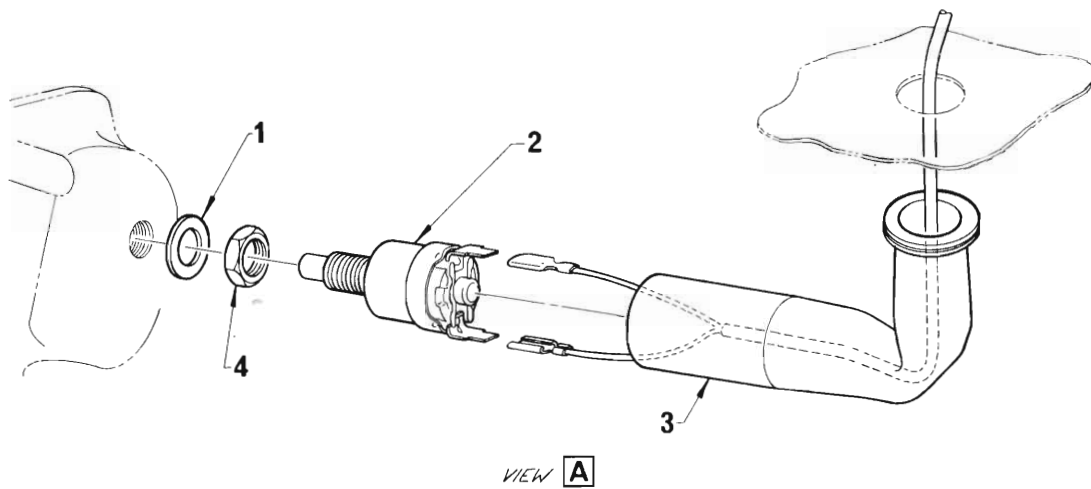
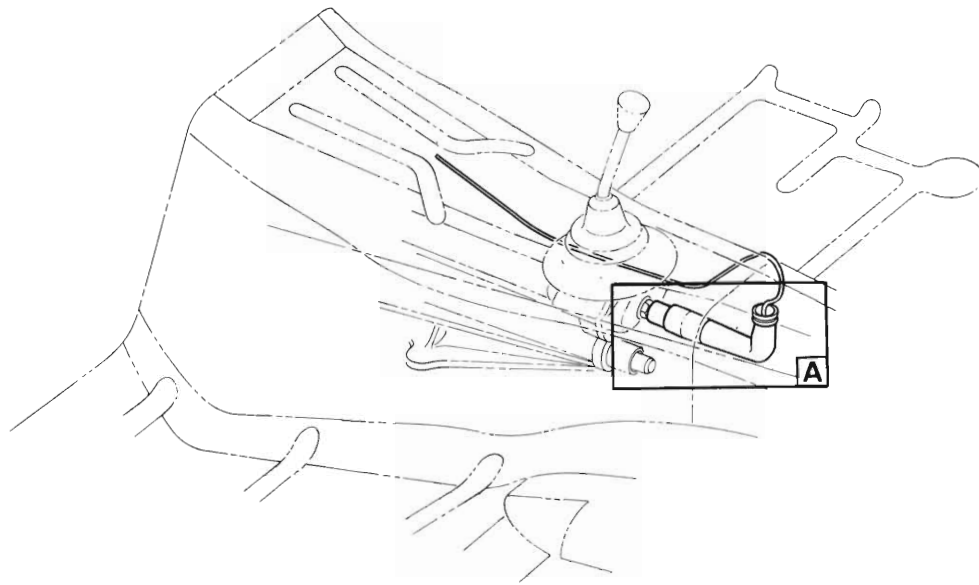
RIGHT HAND DRIVE

ILLUS. REF. NO.	PART NAME	GROUP	ILLUS. REF. NO.	PART NAME	GROUP
1.	SCREW - Sheet metal	8.977	8.	NUT - Hexagon	8.915
2.	SUPPORT & RING ASSEMBLY	2.822	9.	BAR ASSEMBLY - Horn actuating	2.830
3.	WHEEL ASSEMBLY - Steering	6.513	10.	SCREW - Horn contact adjusting	2.819
4.	NUT - Hexagon jam	8.916	11.	ADAPTOR - Horn actuating bar	2.824
5.	SPRING - Adaptor to steering wheel	2.824	12.	SCREW - Emblem & button to adaptor	2.820
6.	WASHER - Shakeproof	8.932	13.	EMBLEM & BUTTON ASSEMBLY	2.820
7.	SCREW - Adaptor to steering wheel	2.824			



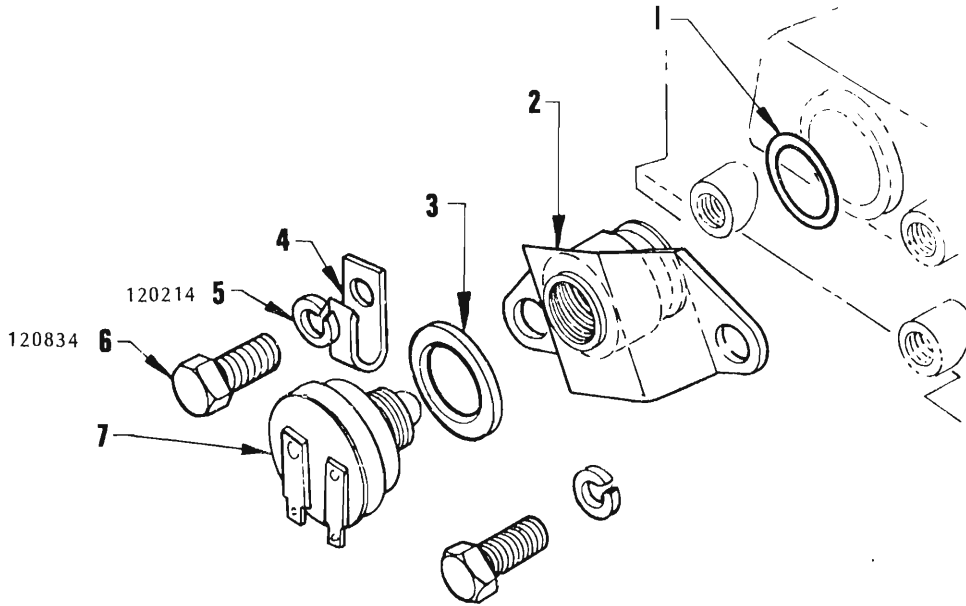
**STEERING WHEEL and HORN
LEFT HAND DRIVE**

ILLUS. REF. NO.	PART NAME	GROUP
1.	SUPPORT & RING ASSY.	2.822
2.	WHEEL ASSY. - Steering	6.513
3.	SPRING - Adaptor	2.824
4.	ADAPTOR - Horn actuating bar	2.824
5.	SCREW - Adaptor to wheel	2.824
6.	BAR ASSY. - Horn actuating	2.830
7.	SCREW - Contact asjusting	2.819



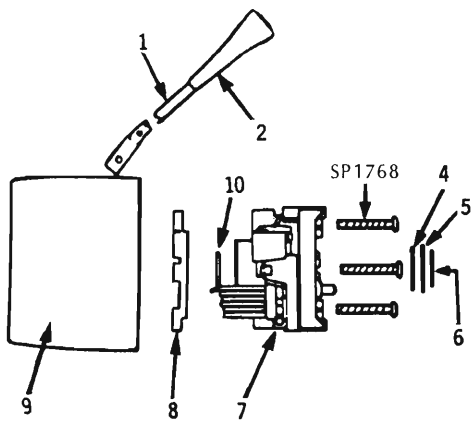
BACK-UP SWITCH
1160, 1300, 70 Engine

ILLUS. REF. NO.	PART NAME	GROUP
1.	GASKET - Switch to transmission	2.697
2.	SWITCH ASSEMBLY	2.697
3.	SLEEVE - Switch to underbody	2.697
4.	NUT - Switch attaching	2.697



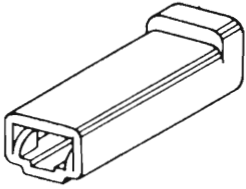
BACK-UP LAMP SWITCH
1600, 1760 Engine

ILLUS. REF. NO.	PART NAME	GROUP	ILLUS. REF. NO.	PART NAME	GROUP
1.	"O" RING - Back-up lamp sealing	2.697	5.	WASHER - Lock, 5/16" medium	8.931
2.	HOUSING - Back-up lamp switch	2.697	6.	BOLT - 5/16" - 18 x 1 1/2"	8.900
3.	WASHER - Back-up lamp sealing	2.697	7.	SWITCH ASSY. - Back-up lamp	2.697
4.	CLIP - Main wiring harness to trans.	2.555			

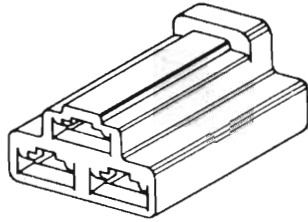


TURN SIGNAL SWITCH

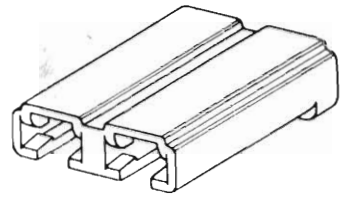
ILLUS. REF. NO.	PART NAME	GROUP
1.	LEVER - Switch	2.897
2.	KNOB - Switch lever	2.897
4.	WASHER - Switch wave	2.895
5.	WASHER - Switch thrust	2.895
6.	RING - Switch retaining	2.895
7.	SWITCH ASSY.	2.895
8.	RING ASSY. - Support	2.895
9.	COVER - Gearshift column, upper	6.518
10.	CIRCLIP - Shaft, upper	6.524



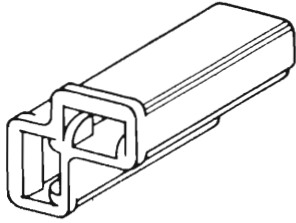
2962448



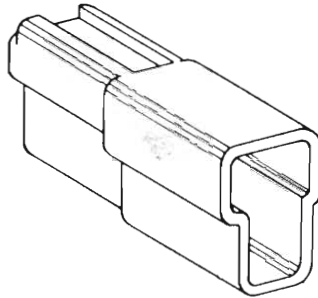
2962449



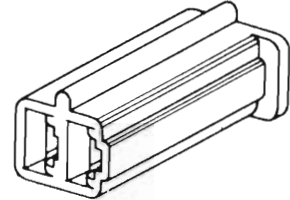
2962679



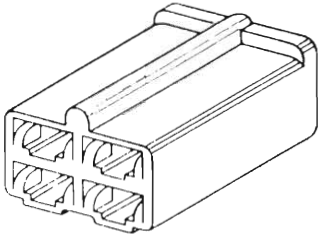
2962910



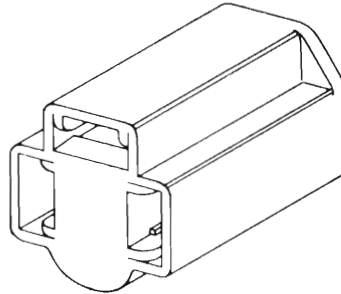
2962964



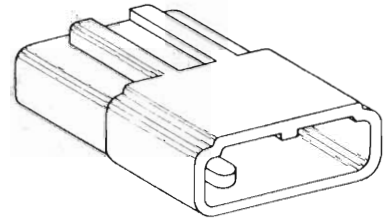
2962967



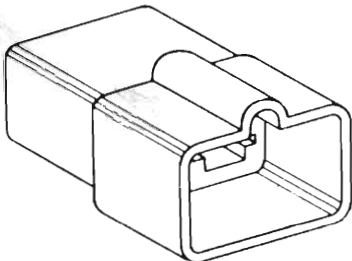
2962969



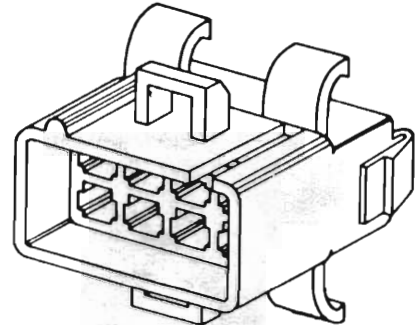
2965810 (N.L.S.)



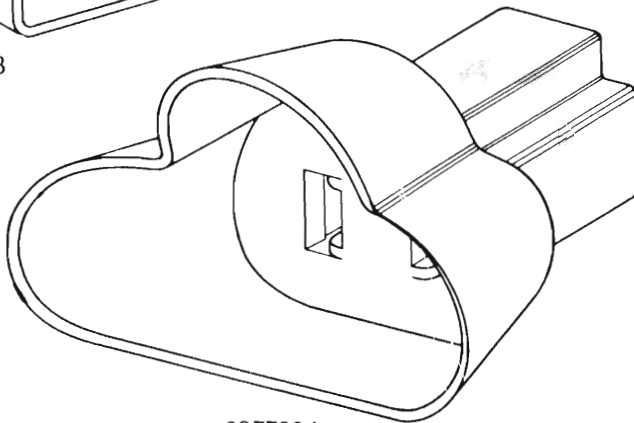
2973431



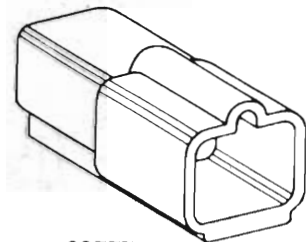
2973603



2977510 (N.L.S.)



2977804



2977763

CONNECTOR BODIES

HOLDEN "LJ" PARTS CATALOGUE

GROUP	DESCRIPTION	MODEL	SIDE	PART No.	QTY.
2.041	MOTOR – Starter				
	MOTOR ASSY.	1160, 70, 1300 Eng.		2681631	1
	MOTOR ASSY.	1600 Eng.		7212261	1
	MOTOR ASSY.	(M) 1760 Eng.		7212261	1
	MOTOR ASSY.	(A) 1760 Eng.		2707870	1
	MOTOR ASSY.(Lucas)	2250 Eng.		2819019	1
	MOTOR ASSY.(Bosch)	2850 Eng.		2815873	1
	MOTOR ASSY.(Lucas)	2850 Eng.		2819377	1
	MOTOR ASSY.(Bosch)	3300 exc. XU1 Eng.		2815873	1
	MOTOR ASSY.(Bosch)	XU1 Eng.		2825508	1
	BOLT – Starter motor	6 Cyl. Eng.		SP2079	2
2.043	ARMATURE – Starter motor				
	ARMATURE	1160, 70, 1300 Eng.		2702180	1
	ARMATURE	1600 Eng.		VS11830	1
	ARMATURE	(M) 1760 Eng.		VS11830	1
	ARMATURE	(A) 1760 Eng.		⁽⁹⁶⁾ 8815263	1
	ARMATURE	(A) 1760 Eng.		⁽⁹⁷⁾ 2716703	1
	ARMATURE(Lucas)	2250 Eng.		VS11880	1
	ARMATURE(Lucas)	2850 Eng.		VS11964	1
	ARMATURE(Lucas)	3300 exc. XU1 Eng.		VS12569	1
	ARMATURE(Bosch)	6 Cyl. Eng.		7424652	1
2.049	COIL SET – Starter motor field				
	COIL SET	1160, 70, 1300 Eng.		VS11838	1
	COIL SET	1600 Eng.		2680584	1
	COIL SET	(M) 1760 Eng.		2680584	1
	COIL SET	(A) 1760 Eng.		⁽⁹⁶⁾ 8815265	1
	COIL SET	(A) 1760 Eng.		⁽⁹⁷⁾ 2716704	1
	COIL SET(Lucas)	2250 Eng.		VS11884	1
	COIL SET(Lucas)	2850 Eng.		VS12080	1
	COIL SET(Lucas)	3300 exc. XU1 Eng.		VS12570	1
	COIL SET(Bosch)	2850 Eng.		7424642	1
	COIL SET(Bosch)	3300 Eng.		VS10971	1
	INSULATOR – Field coil to housing	(Bosch) 6 Cyl. Eng.		7424644	1
	INSULATOR – Field coil to pole shoe	(Bosch) 6 Cyl. Eng.		7424645	1
2.051	BRUSH SET – Starter motor				
	BRUSH SET	4 Cyl. exc. 1760 Eng.		VS11819	1
	BRUSH SET	(M) 1760 Eng.		VS11819	1
	BRUSH SET	(A) 1760 Eng.		⁽⁹⁶⁾ 1032572	1
	BRUSH SET	(A) 1760 Eng.		⁽⁹⁷⁾ 2716696	1
	BRUSH SET(Lucas)	6 Cyl. Eng.		VS11875	1
	BRUSH SET(Bosch)	6 Cyl. Eng.		7424660	1
2.052	PLATE – Starter motor brush holder				
	HOLDER – Brush	(Lucas) 6 Cyl. Eng.		VS11876	1
	SCREW – Attaching	(Lucas) 6 Cyl. Eng.		VS11878	2
	WASHER – Attaching screw	(Lucas) 6 Cyl. Eng.		VS10812	2
	PLATE ASSY.	(Bosch) 6 Cyl. Eng.		VS11970	1
2.053	SPRING SET – Starter motor brush				
	SPRING and PLATE ASSY.	(Lucas) 6 Cyl. Eng.		VS11877	1
	SPRING	(Bosch) 6 Cyl. Eng.		7424661	4

Note: ⁽⁹⁶⁾ Use with Starter Motor branded 25691E.
⁽⁹⁷⁾ Use with Starter Motor branded 25691F.

HOLDEN "LJ" PARTS CATALOGUE

GROUP	DESCRIPTION	MODEL	SIDE	PART No.	QTY.
2.063	PLATE, SHOE, SPRING, CAP – Starter motor armature				
	PLATE - Thrust	1600 Eng.		VS11824	1
	PLATE - Thrust	(M) 1760 Eng.		VS11824	1
	WASHER - Thrust, commutator end, metal	(A) 1760 Eng.		⁽⁹⁶⁾ 8815261	1
	WASHER - Thrust, commutator end, fabric	(A) 1760 Eng.		⁽⁹⁶⁾ 8815262	1
	CAP - Bearing	6 Cyl. Eng.		7424665	1
	SCREW - Bearing cap	6 Cyl. Eng.		VS11971	2
2.067	FRAME – Starter motor commutator end				
	FRAME ASSY.	1160, 70, 1300 Eng.		2702182	1
	FRAME ASSY.	1600 Eng.		8815201	1
	FRAME ASSY.	(M) 1760 Eng.		8815201	1
	FRAME ASSY.	(A) 1760 Eng.		⁽⁹⁶⁾ 8815246	1
	FRAME ASSY.	(A) 1760 Eng.		⁽⁹⁷⁾ 2716697	1
	FRAME ASSY.(Lucas)	6 Cyl. Eng.		VS11871	1
	FRAME ASSY.(Bosch)	6 Cyl. Eng.		7424657	1
2.070	BAND – Starter motor commutator end				
	BAND	(A) 1760 Eng.		8815244	1
	SCREW	(A) 1760 Eng.		6315722	1
	NUT	(A) 1760 Eng.		6315724	1
2.077	BOLT, TERMINAL, POLE SHOE – Starter motor				
	BOLT - Through	2250 Eng.		VS11886	2
	BOLT - Through	2850, 3300 Eng.		VS12081	2
	WASHER - Through bolt	6 Cyl. Eng.		VS10832	2
	TERMINAL - Field	1600 Eng.		VS11822	1
	BUSH - Terminal insulating	1600 Eng.		VS11823	1
	POLE SHOE - With short stud	1600 Eng.		8815219	1
	POLE SHOE - With long stud	1600 Eng.		8815218	1
	TERMINAL - Field	(M) 1760 Eng.		VS11822	1
	BUSH - Terminal insulating	(M) 1760 Eng.		VS11823	1
	POLE SHOE - With short stud	(M) 1760 Eng.		8815219	1
	POLE SHOE - With long stud	(M) 1760 Eng.		8815218	1
	POLE SHOE - With short stud	(A) 1760 Eng.		⁽⁹⁶⁾ 8815219	1
	POLE SHOE - With long stud	(A) 1760 Eng.		⁽⁹⁶⁾ 8815218	1
	BOLT KIT - Through	(A) 1760 Eng.		⁽⁹⁷⁾ 2716707	1
	SEALING KIT	(A) 1760 Eng.		⁽⁹⁷⁾ 2716702	1
	BOLT - Through	6 Cyl. Eng.		7424666	2
	WASHER - Through bolt	6 Cyl. Eng.		VS11092	2
	SCREW - Pole shoe	6 Cyl. Eng.		VS11091	4
2.080	SUNDRY PARTS KIT – Starter motor				
	KIT	(A) 1760 Eng.		⁽⁹⁶⁾ 7190291	1
	KIT	(A) 1760 Eng.		⁽⁹⁷⁾ 2716709	1
	KIT	3300 Eng.		VS12579	1
	KIT	6 Cyl. Eng.		VS11089	1
2.083	BUSHING, BUSHING KIT – Starter motor				
	KIT	1160, 70, 1300 Eng.		2702179	1
	BUSHING - C.E.	1600 Eng.		VS11821	1
	BUSHING - D.E.	1600 Eng.		VS10828	1
	BUSHING - C.E.	(M) 1760 Eng.		VS11821	1
	BUSHING - D.E.	(M) 1760 Eng.		VS10828	1
	BUSHING - C.E.	(A) 1760 Eng.		⁽⁹⁶⁾ VS11821	1
	BUSHING - D.E.	(A) 1760 Eng.		⁽⁹⁶⁾ VS10828	1
	BUSHING KIT	(A) 1760 Eng.		⁽⁹⁷⁾ 2716708	1
	BUSHING - C.E.(Lucas)	6 Cyl. Eng.		VS11874	1
	BUSHING - D.E.(Lucas)	6 Cyl. Eng.		VS10828	1
	BUSHING - C.E.(Bosch)	6 Cyl. Eng.		7405590	1
	BUSHING - D.E.(Bosch)	6 Cyl. Eng.		7424647	1
	Note: ⁽⁹⁶⁾ Use with Starter Motor branded 25691E.				
	⁽⁹⁷⁾ Use with Starter Motor branded 25691F.				

HOLDEN "LJ" PARTS CATALOGUE

GROUP	DESCRIPTION	MODEL	SIDE	PART No.	QTY.
2.085	HOUSING – Starter motor drive with bushing				
	HOUSING	1160, 70, 1300 Eng.		2702183	1
	HOUSING	1600 Eng.		8815210	1
	HOUSING	(M) 1760 Eng.		8815210	1
	HOUSING	(A) 1760 Eng.		⁽⁹⁶⁾ 8815259	1
	HOUSING	(A) 1760 Eng.		⁽⁹⁷⁾ 2716701	1
	HOUSING(Lucas)	2250, 2850 Eng.		VS11883	1
	HOUSING(Lucas)	3300 Eng.		VS12575	1
	HOUSING(Bosch)	6 Cyl. Eng.		VS11146	1
2.086	DRIVE, SLEEVE – Starter motor				
	DRIVE ASSY.	1160, 70, 1300 Eng.		6374149	1
	DRIVE ASSY.	1600 Eng.		VS11827	1
	DRIVE ASSY.	(M) 1760 Eng.		VS11827	1
	DRIVE ASSY.	(A) 1760 Eng.		⁽⁹⁶⁾ 8815256	1
	DRIVE ASSY.	(A) 1760 Eng.		⁽⁹⁷⁾ 2716700	1
	DRIVE ASSY.(Lucas)	2250, 2850 Eng.		VS10815	1
	DRIVE ASSY.(Lucas)	3300 Eng.		VS12574	1
	DRIVE ASSY.(Bosch)	6 Cyl. Eng.		7424653	1
2.087	COMPONENTS – Starter motor pinion				
	SPRING	1160, 70, 1300 Eng.		7094635	1
	BUSHING – Pinion bearing	1600 Eng.		VS10821	1
	BUSHING – Pinion bearing	(M) 1760 Eng.		VS10821	1
	BUSHING – Pinion bearing	(A) 1760 Eng.		⁽⁹⁶⁾ VS10821	1
	PLATE – Lever operating	1600 Eng.		8815258	1
	PLATE – Lever operating	(M) 1760 Eng.		8815258	1
	PLATE – Lever operating	(A) 1760 Eng.		⁽⁹⁶⁾ 8815258	1
	RING – Bushing	1600 Eng.		8815257	1
	RING – Bushing	(M) 1760 Eng.		8815257	1
	RING – Bushing	(A) 1760 Eng.		⁽⁹⁶⁾ 8815257	1
	WASHER – Thrust	1160, 70, 1300 Eng.		7105350	1
	WASHER – Thrust, plain steel(Lucas)	2250, 2850 Eng.		VS11872	1
	WASHER – Thrust(Lucas)	3300 Eng.		VS12576	1
	WASHER – Thrust, stepped steel(Lucas)	2250, 2850 Eng.		VS11881	1
	WASHER – Thrust, nylon(Lucas)	2250, 2850 Eng.		VS11882	1
	SHIM(Lucas)	2250, 2850 Eng.		VS11873	1
	BUSHING – Pinion bearing(Lucas)	2250, 2850 Eng.		VS10821	1
	RING – Lock(Lucas)	6 Cyl. Eng.		VS10816	1
	SPRING – Engaging(Lucas)	6 Cyl. Eng.		VS10817	1
	PLATE – Thrust(Lucas)	2250, 2850 Eng.		VS10820	1
	PLATE – Operating(Lucas)	2250, 2850 Eng.		VS10818	1
	PLATE – Operating(Lucas)	3300 Eng.		VS12572	1
	COLLAR – Bearing(Lucas)	6 Cyl. Eng.		VS10819	1
	BUSHING – Drive(Bosch)	6 Cyl. Eng.		7424631	1
	BUFFER – Drive(Bosch)	6 Cyl. Eng.		7420847	1
2.096	RING, COLLAR, WASHER, STOP – Starter motor				
	RING – Collar retaining	1160, 70, 1300 Eng.		6374669	1
	COLLAR – Drive end	1600 Eng.		7428706	1
	COLLAR – Drive end	(M) 1760 Eng.		7428706	1
	WASHER – Drive end thrust	(A) 1760 Eng.		8815260	1
	RING – Collar retaining	1600, 1760 Eng.		7428707	1
	COLLAR – Drive end(Lucas)	6 Cyl. Eng.		VS10826	1
	RING – Collar retaining(Lucas)	6 Cyl. Eng.		7428707	1
	WASHER – Drive end(Lucas)	6 Cyl. Eng.		7428705	1
	STOP – Pinion(Bosch)	6 Cyl. Eng.		7424633	1

Note: ⁽⁹⁶⁾ Use with Starter Motor branded 25691E.
⁽⁹⁷⁾ Use with Starter Motor branded 25691F.

HOLDEN "LJ" PARTS CATALOGUE

GROUP	DESCRIPTION	MODEL	SIDE	PART No.	QTY.
2.100 SWITCH – Starter					
	SWITCH – Solenoid	(M) 1160, 70, 1300 Eng. <i>USE 7212406</i> ←		7212405	1
	SWITCH – Solenoid	(A) 70, 1300 Eng.		7212406	1
	NUT – Terminal hex. 3/16" – 22 BSF	1160, 70, 1300 Eng.		SP1906	3
	SWITCH – Solenoid	1600 Eng.		VS11831	1
	SWITCH – Solenoid	(M) 1760 Eng.		VS11831	1
	SWITCH – Solenoid	(A) 1760 Eng.		⁹⁶ 2696282	1
	SWITCH – Solenoid	(A) 1760 Eng.		⁹⁷ 2716705	1
	KIT – End cap	(A) 1760 Eng.		⁹⁷ 2716706	1
	SWITCH – Solenoid(Lucas)	2250, 2850 Eng.		VS10822	1
	SWITCH – Solenoid(Lucas)	3300 Eng.		VS12580	1
	SHIM – Switch to housing(Lucas)	3300 Eng.		VS12578	2
	NUT – Terminal(Lucas)	6 Cyl. Eng.		VS10823	2
	WASHER – Terminal nut(Lucas)	6 Cyl. Eng.		VS10824	2
	NUT – Attaching(Lucas)	6 Cyl. Eng.		7406859	2
	SWITCH – Solenoid(Bosch)	6 Cyl. Eng.		VS10215	1
	NUT – Terminal(Bosch)	6 Cyl. Eng.		7405645	A.R
	WASHER – Terminal nut(Bosch)	6 Cyl. Eng.		VS11087	A.R.
	SCREW – Attaching(Bosch)	6 Cyl. Eng.		7424669	2
2.101 GROMMET – Starter motor cable outlet					
	GROMMET	1600 Eng.		8815212	1
	GROMMET(Lucas)	6 Cyl. Eng.		VS11885	1
2.102 COVER, GASKET, SCREW, WASHER – Starter motor solenoid switch					
	COVER(Bosch)	6 Cyl. Eng.		VS11090	1
	SCREW – Attaching(Bosch)	6 Cyl. Eng.		VS11973	2
	WASHER – Attaching screw(Bosch)	6 Cyl. Eng.		VS11086	2
2.108 LEVER – Starter motor shift					
	LEVER ASSY.	1600 Eng.		VS11826	1
	RING – Pivot pin retaining	1600 Eng.		VS11825	1
	LEVER ASSY.	(M) 1760 Eng.		VS11826	1
	RING – Pivot pin retaining	(M) 1760 Eng.		VS11825	1
	LEVER ASSY.	(A) 1760 Eng.		⁹⁶ 8815249	1
	BOLT – Lever pivot	(A) 1760 Eng.		⁹⁶ 8815248	1
	NUT – Lever pivot bolt	(A) 1760 Eng.		⁹⁶ 7190272	1
	KIT – Engaging lever	(A) 1760 Eng.		⁹⁷ 2716699	1
	KIT – Pivot pin	(A) 1760 Eng.		⁹⁷ 2716698	1
	KIT – Lever retension	(A) 1760 Eng.		⁹⁷ 8856573	1
	LEVER ASSY.(Lucas)	2250, 2850 Eng.		VS10813	1
	PIN – Pivot(Lucas)	2250, 2850 Eng.		VS11879	1
	NUT – Pivot pin(Lucas)	2250, 2850 Eng.		7406835	1
	LEVER ASSY.(Lucas)	3300 Eng.		VS12573	1
	PIN – Pivot(Lucas)	3300 Eng.		VS12571	1
	WASHER – Pivot pin(Lucas)	3300 Eng.		VS12568	1
	LEVER ASSY.(Bosch)	6 Cyl. Eng.		7424648	1
	SCREW – Pivot(Bosch)	6 Cyl. Eng.		7424649	1
	NUT – Pivot screw(Bosch)	6 Cyl. Eng.		7405604	1
	WASHER – Lock(Bosch)	6 Cyl. Eng.		VS11969	1
2.170 COIL, BRACKET – Ignition					
	COIL ASSY.(Lucas)	ALL <i>VS19992</i> <i>SUT20R</i>		7431087	1
	BRACKET & SCREW ASSY.(Lucas)	4 Cyl. Eng.		7441642	1
	BRACKET & SCREW ASSY.(Lucas)	6 Cyl. Eng.		7422907	1
	COIL ASSY.(Bosch)	ALL <i>VS19992</i> <i>SUT20R</i>		7422779	1
	BRACKET & SCREW ASSY.(Bosch)	4 Cyl. Eng.		7441596	1
	BRACKET & SCREW ASSY.(Bosch)	6 Cyl. Eng.		7422780	1
	CONNECTOR(Bosch)	4 Cyl. Eng.		VS12209	1

Note: ⁹⁶ Use with Starter Motor branded 25691E.
⁹⁷ Use with Starter Motor branded 25691F.

HOLDEN "LJ" PARTS CATALOGUE

GROUP	DESCRIPTION	MODEL	SIDE	PART No.	QTY.
2.188	SWITCH – Ignition and starting				
	LOCK ASSEMBLY - Ignition	RIGHT HAND DRIVE		9934621 92000358	1
	SERVICE PACKAGE - Ignition lock	RIGHT HAND DRIVE		9934587	1
	SWITCH ASSEMBLY - Ignition & starter	RIGHT HAND DRIVE		2811924	1
	BOLT - Switch to column	RIGHT HAND DRIVE		SP2319	2
	BOLT & SPRING WASHER ASSY. - Steering lock ..	RIGHT HAND DRIVE		2812811	1
	WASHER - Steering lock thrust	RIGHT HAND DRIVE		7805950	1
	SWITCH	LEFT HAND DRIVE		7424302	1
	CYLINDER ASSY. - (Coded with keys)	LEFT HAND DRIVE		2825656	1
	CYLINDER - (Uncoded)	LEFT HAND DRIVE		601846	1
	TUMBLER - No. 1 (Package of 100)	LEFT HAND DRIVE		3901061	A.R.
	TUMBLER - No. 2 (Package of 100)	LEFT HAND DRIVE		3901062	A.R.
	TUMBLER - No. 3 (Package of 100)	LEFT HAND DRIVE		3901063	A.R.
	TUMBLER - No. 4 (Package of 100)	LEFT HAND DRIVE		3901064	A.R.
	SPRING - Tumbler	LEFT HAND DRIVE		601260	6
	RETAINER - Tumbler	LEFT HAND DRIVE		601261	A.R.
2.195	RACK and ROD, SECTOR, SHAFT – Ignition switch actuator				
	RACK & ROD ASSEMBLY	RIGHT HAND DRIVE		2818137	1
	SPRING - Rack preload	RIGHT HAND DRIVE		7804410	1
	SHAFT	RIGHT HAND DRIVE		7804412	1
	SECTOR	RIGHT HAND DRIVE		7806046	1
2.198	NUT – Ignition switch				
	NUT - Switch mounting	LEFT HAND DRIVE		2805681	1
2.239	WIRE UNIT – Spark plug and distributor				
	WIRE UNIT - T.V.R.S.	1160, 70, 1300 Eng.		2808181	1
	WIRE UNIT - Copper wire	1160, 70, 1300 Eng.		2806289	1
	WIRE UNIT	1600, 1760 Eng.		2709842 91093489	1
	WIRE UNIT - T.V.R.S.	6 Cyl. Eng.		7423454	1
	WIRE UNIT - Copper wire	6 Cyl. Eng.		7436752	1
2.251	SHIELD – Spark plug wire heat				
	SHIELD	1600, 1760 Eng.		8831668	1
2.258	NIPPLE, BOOT – Spark plug wire insulating				
	NIPPLE - Distributor cap insulating	ALL		5289527	5-7
	NIPPLE - Coil insulating	ALL		5290441	1
	BOOT - Spark Plug	ALL		2962674	4-6
2.270	PLUG – Spark				
	PLUG - Spark	1160, 70, 1300 Eng.		42XLS	4
	PLUG - Spark	1600 Eng.		42TS R415TS	4
	PLUG - Spark (Optional)	1600 Eng.		41T	1
	PLUG - Spark	1760 Eng.		41TS	1
	PLUG - Spark	2250, 2850 Eng.		44T H9BC	6
	PLUG - Spark (Optional)	2250, 2850 Eng.		43T	6
	PACKAGE - (Set of 6 No. 44T)	2250, 2850 Eng.		2820504	1
	PLUG - Spark	3300 exc. XU1 Eng.		45T	6
	PLUG - Spark (Optional)	3300 exc. XU1 Eng.		43T	6
	PACKAGE - (Set of 6 No. 45T)	3300 exc. XU1 Eng.		2820505	1
	PLUG - Spark	XU1 Eng.		C44NS 43XLS	6
	PACKAGE - (Set of 6 No. C44NS)	XU1 Eng.		7433327	1
	GASKET - Spark plug (14 m.m.)	exc. 'T' & 'TS' plugs		SP1105	4

HOLDEN "LJ" PARTS CATALOGUE

GROUP	DESCRIPTION	MODEL	SIDE	PART No.	QTY.
2.274	PULLEY, FAN – Generator				
	PULLEY(Lucas)	exc. XU1 Eng.		⁽⁹⁸⁾ 7430409	1
	PULLEY(Lucas)	exc. XU1 Eng.		⁽⁹⁹⁾ 2825019	1
	PULLEY(Lucas)	XU1 Eng.		⁽⁹⁸⁾ 2806231	1
	PULLEY(Lucas)	XU1 Eng.		⁽⁹⁹⁾ 2825063	1
	FAN(Lucas)	ALL(Lucas)		7430410	1
2.275	GENERATOR				
	GENERATOR ASSY. – (Branded 62921217A or 62921217B)(Lucas)	4 Cyl. Eng.		2819152	1
	GENERATOR ASSY. – (Branded 62921240A or 62921240B)(Lucas)	4 Cyl. Eng.		9930448	1
	GENERATOR ASSY.(Lucas)	6 Cyl. exc. XU1 Eng.		⁽⁹⁸⁾ 2819152	1
	GENERATOR ASSY.(Lucas)	6 Cyl. exc. XU1 Eng.		⁽⁹⁹⁾ 2825480	1
	GENERATOR ASSY.(Lucas)	XU1 Eng.		⁽⁹⁹⁾ 2825481	1
	GENERATOR ASSY.(Bosch)	exc. XU1 Eng.		9929209	1
	GENERATOR ASSY.(Bosch)	XU1 Eng.		2820452	1
	BOLT – Generator to brace(Lucas)	exc. XU1 Eng.		SP2027	1
	BOLT – Generator to brace(Bosch)	XU1 Eng.		180081	1
2.277	BRACKET, SPACER, BOLT – Generator mounting				
	BRACKET ASSY.(Lucas)	1160, 70, 1300 Eng.		2809826	1
	BRACKET ASSY.(Lucas)	1600, 1760 Eng.		2820678	1
	SPACER(Lucas)	4 Cyl. Eng.		3880353	1
	BRACKET ASSY.(Lucas)	6 Cyl. Eng.		9931665	1
	BOLT – Bracket to cyl. block(Lucas)	1160, 70, 1300 Eng.		SP2090	1
	BOLT – Bracket to cyl. block(Bosch)	1600, 1760 Eng.		SP2073	3
	BOLT – Bracket to cyl. block(Lucas)	6 Cyl. Eng.		SP2077	1
	BOLT – Bracket to cyl. block(Bosch)	6 Cyl. Eng.		SP2071	1
2.279	ROTOR – Generator				
	ROTOR(Lucas)	4 Cyl. Eng.		⁽¹⁰⁰⁾ VS12033	1
	ROTOR(Lucas)	4 Cyl. Eng.		⁽¹⁰¹⁾ VS12321	1
	SLIP RING(Lucas)	4 Cyl. Eng.		⁽¹⁰¹⁾ VS12330	1
	ROTOR(Lucas)	6 Cyl. Eng.		⁽⁹⁸⁾ VS12033	1
	ROTOR(Lucas)	6 Cyl. Eng.		⁽⁹⁹⁾ VS12321	1
	SLIP RING(Lucas)	6 Cyl. Eng.		⁽⁹⁹⁾ VS12330	1
	ROTOR(Bosch)	ALL(Bosch)		VS12016	1
	SLIP RING(Bosch)	ALL(Bosch)		VS11094	1
2.280	NUT, WASHER – Generator rotor				
	NUT(Lucas)	ALL(Lucas)		7405703	1
	WASHER – Lock(Lucas)	ALL(Lucas)		VS11765	1
2.285	BRUSH SET – Generator				
	BRUSH & SPRING SET(Lucas)	4 Cyl. Eng.		⁽¹⁰⁰⁾ VS12041	1
	BRUSH & SPRING SET(Lucas)	4 Cyl. Eng.		⁽¹⁰¹⁾ VS12327	1
	BRUSH & SPRING SET(Lucas)	6 Cyl. Eng.		⁽⁹⁸⁾ VS12041	1
	BRUSH & SPRING SET(Lucas)	6 Cyl. Eng.		⁽⁹⁹⁾ VS12327	1
	BRUSH SET(Bosch)	ALL(Bosch)		VS12023	1
2.286	SPRING – Generator Brush				
	SPRING(Bosch)	ALL(Bosch)		VS12024	2

Note: ⁽⁹⁸⁾ Use on generators without integrated Regulator.

⁽⁹⁹⁾ Use on generators with integrated regulator.

⁽¹⁰⁰⁾ Use with Generator Part No. 2819152.

⁽¹⁰¹⁾ Use with Generator Part No. 9930448.

HOLDEN "LJ" PARTS CATALOGUE

GROUP	DESCRIPTION	MODEL	SIDE	PART No.	QTY.
2.289	RECTIFIER HEAT SINK – Generator				
	SINK - Heat, positive with diodes(Lucas)	4 Cyl. Eng.		(¹⁰⁰ VS12036	1
	SINK - Heat, negative with diodes(Lucas)	4 Cyl. Eng.		(¹⁰⁰ VS12035	1
	PLATE - Field terminal with diodes(Lucas)	4 Cyl. Eng.		(¹⁰⁰ VS12043	1
	SINK - Heat, positive with diodes(Lucas)	4 Cyl. Eng.		(¹⁰¹ VS12324	1
	SINK - Heat, negative with diodes(Lucas)	4 Cyl. Eng.		(¹⁰¹ VS12323	1
	PLATE - Field terminal with diodes(Lucas)	4 Cyl. Eng.		(¹⁰¹ VS12706	1
	SINK - Heat, positive with diodes(Lucas)	6 Cyl. Eng.		(⁹⁸ VS12036	1
	SINK - Heat, negative with diodes(Lucas)	6 Cyl. Eng.		(⁹⁸ VS12035	1
	PLATE - Field terminal with diodes(Lucas)	6 Cyl. Eng.		(⁹⁸ VS12043	1
	SINK - Heat, positive with diodes(Lucas)	6 Cyl. Eng.		(⁹⁹ VS12324	1
	SINK - Heat, negative with diodes(Lucas)	6 Cyl. Eng.		(⁹⁹ VS12323	1
	PLATE - Field terminal with diodes(Lucas)	6 Cyl. Eng.		(⁹⁹ VS12706	1
	SUNDRY PARTS SET - Heat sink mounting.(Lucas)	ALL		VS12091	1
	RECTIFIER ASSY(Bosch)	ALL		VS12025	1
	BOLT - Rectifier, long(Bosch)	ALL		VS12019	1
	BOLT - Rectifier, short(Bosch)	ALL		VS12020	2
2.291	MOULDING, BOX, PLATE – Generator brush				
	BOX ASSY. - Brush, metal(Lucas)	4 Cyl. Eng.		(¹⁰⁰ VS12039	1
	BOX - Brush, metal(Lucas)	4 Cyl. Eng.		(¹⁰¹ VS12703	1
	BOX - Brush, metal(Lucas)	6 Cyl. Eng.		(⁹⁸ VS12039	1
	BOX - Brush, metal(Lucas)	6 Cyl. Eng.		(⁹⁹ VS12326	1
	MOULDING - Brush box, plastic(Lucas)	ALL		VS12040	1
	SCREW - Brush box(Lucas)	ALL		VS12038	1
	BRUSH PLATE ASSY.(Bosch)	ALL		VS12022	1
	BOLT - Brush plate(Bosch)	ALL		7424757	1
	WASHER - Flat(Bosch)	ALL		7406900	1
	WASHER - Lock(Bosch)	ALL		7406323	1
2.297	PLATE, COVER, HOUSING – Generator slip ring end				
	PLATE(Lucas)	exc. XU1 Eng.		(¹⁰⁰ VS12532	1
	PLATE(Lucas)	4 Cyl. Eng.		(¹⁰¹ VS12702	1
	PLATE(Lucas)	6 Cyl. Eng.		(⁹⁸ VS12532	1
	PLATE(Lucas)	6 Cyl. Eng.		(⁹⁹ VS12322	1
	WASHER - Wave(Lucas)	ALL		VS11776	1
	HOUSING (Suit 2819151, 2820452)(Bosch)	ALL		VS12021	1
	HOUSING (Suit 9929209)(Bosch)	exc XU1 Eng.		VS12339	1
2.298	BEARING – Generator slip ring end				
	BEARING(Lucas)	ALL		VS11773	1
	BEARING(Bosch)	ALL		7420853	1
2.305	PLATE – Generator drive end				
	PLATE(Lucas)	4 Cyl. Eng.		(¹⁰⁰ VS12030	1
	PLATE(Lucas)	4 Cyl. Eng.		(¹⁰¹ VS12700	1
	PLATE(Lucas)	6 Cyl. Eng.		(⁹⁸ VS12030	1
	PLATE(Lucas)	6 Cyl. Eng.		(⁹⁹ VS12319	1
	PLATE(Bosch)	ALL		VS12015	1
	PLATE (Suit 9929209)(Bosch)	exc. XU1		VS12338	1
2.306	BEARING – Generator drive end				
	BEARING(Lucas)	ALL		VS11767	1
	BEARING(Bosch)	ALL		7420850	1

Note: (⁹⁸ Use on generators without integrated Regulator.
(⁹⁹ Use on generators with integrated regulator.
(¹⁰⁰ Use with Generator Part No. 2819152.
(¹⁰¹ Use with Generator Part No. 9930448.

HOLDEN "LJ" PARTS CATALOGUE

GROUP	DESCRIPTION	MODEL	SIDE	PART No.	QTY.
2.307	SUNDRY PARTS – Generator drive end				
	PLATE – Bearing retainer(Lucas)	ALL		VS12084	1
	RING – Bearing retainer(Lucas)	4 Cyl. Eng.	(¹⁰⁰)	VS12032	1
	SCREW – Bearing retainer plate(Lucas)	4 Cyl. Eng.	(¹⁰⁰)	VS11771	3
	COLLAR – Distance(Lucas)	4 Cyl. Eng.	(¹⁰⁰)	VS11768	1
	SCREW – Bearing retainer plate	4 Cyl. Eng.	(¹⁰¹)	VS11771	2
	CIRCLIP – Rotor shaft	4 Cyl. Eng.	(¹⁰¹)	VS12708	1
	COLLAR – Distance	4 Cyl. Eng.	(¹⁰¹)	VS12704	1
	WASHER – Support	4 Cyl. Eng.	(¹⁰¹)	VS12085	1
	SCREW – Bearing retainer plate	6 Cyl. Eng.		VS11771	3
	RING – Bearing retainer	6 Cyl. Eng.	(⁹⁸)	VS12032	1
	COLLAR – Distance	6 Cyl. Eng.	(⁹⁸)	VS11768	1
	CIRCLIP	6 Cyl. Eng.	(⁹⁹)	VS12092	1
	COLLAR – Distance	6 Cyl. Eng.	(⁹⁹)	VS12320	1
	WASHER – Support	6 Cyl. Eng.	(⁹⁹)	VS12085	1
	SUNDRY PARTS SET(Bosch)	ALL		VS12027	1
2.310	STATOR – Generator				
	STATOR(Lucas)	4 Cyl. Eng.	(¹⁰⁰)	VS12042	1
	STATOR(Lucas)	4 Cyl. Eng.	(¹⁰¹)	VS12328	1
	STATOR(Lucas)	6 Cyl. Eng.	(⁹⁸)	VS12042	1
	STATOR(Lucas)	6 Cyl. Eng.	(⁹⁹)	VS12328	1
	STATOR(Bosch)	ALL		VS12014	1
2.315	SUNDRY PARTS SET – Generator				
	SET(Bosch)	ALL		VS12028	1
2.316	BOLT – Generator through				
	BOLT(Lucas)	ALL		VS11763	3
	WASHER(Lucas)	4 Cyl. Eng.	(¹⁰¹)	VS12705	3
	BOLT(Bosch)	ALL		VS12026	4
	WASHER – Plain(Bosch)	ALL		7405633	A.R.
	WASHER – Lock(Bosch)	ALL		7424685	A.R.
2.317	BRACE – Generator				
	BRACE	1160, 70, 1300 Eng.		2809830	1
	BRACE	1600, 1760 Eng.		2820679	1
	BRACE	6 Cyl. exc. XU1 Eng.		9931664	1
	BRACE	XU1 Eng.		9931664	2
	SPACER	1160, 70, 1300 Eng.		2809829	1
	BOLT – Generator to brace	exc. XU1 Eng.		SP2027	1
	BOLT – Brace to cyl. block	6 Cyl. exc. XU1 Eng.		SP2040	1
	BOLT – Generator to brace	XU1 Eng.		180081	1
	BOLT – Brace to cyl. block	XU1 Eng.		180081	1
2.332	BATTERY				
	BATTERY	4 Cyl. Eng.		441D	1
	BATTERY – 48 amp. hour	6 Cyl. Eng.		432F	1
2.333	SUPPORT – Battery mounting				
	SUPPORT	4 Cyl. Eng.		7441937	1
	SUPPORT	6 Cyl. exc. XU1 Eng.		7432961	1
	SUPPORT	XU1 Eng.		7447068	1
	GUSSET – Mounting support	6 Cyl. exc. XU1 Eng.		2807122	1
	BRACKET – Support	XU1 Eng.		2815996	1
	RETAINER	4 Cyl., XU1 Eng.		7441938	1

Note: (⁹⁸) Use on generators without integrated Regulator.
(⁹⁹) Use on generators with integrated regulator.
(¹⁰⁰) Use with Generator Part No. 2819152.
(¹⁰¹) Use with Generator Part No. 9930448.

HOLDEN "LJ" PARTS CATALOGUE

GROUP	DESCRIPTION	MODEL	SIDE	PART No.	QTY.
2.333	SUPPORT – Battery mounting (contd.)				
	RETAINER	6 Cyl. exc. XU1 Eng.		7434165	1
	PLATE - Retainer lock	ALL		7420476	2
	BOLT - Mounting	4 Cyl., XU1 Eng.		7441935	2
	BOLT - Mounting	6 Cyl. exc. XU1 Eng.		7434718	2
	NUT - Wing, 1/4" - 20	ALL		7077093	2
2.341	CABLE – Battery ground				
	CABLE ASSY.	1160, 70, 1300 Eng.		2824992	1
	CABLE ASSY.	1600, 1760 Eng.		2820931	1
	CABLE ASSY.	6 Cyl. Eng.		2806978	1
2.342	CABLE – Starter				
	CABLE ASSY. - (Warning light equip.)	1160, 70, 1300 Eng.		2807823	1
	CABLE ASSY. - (Inst. cluster equip.)	1160, 70, 1300 Eng.		7447569	1
	CABLE ASSY. - Solenoid to starter motor	1160, 70, 1300 Eng.		7447574	1
	CABLE ASSY.	1600, 1760 Eng.		2820865	1
	CABLE ASSY. - (Warning light equip.)	6 Cyl. Eng.	RIGHT HAND DRIVE	2806977	1
	CABLE ASSY. - (Inst. cluster equip.)	6 Cyl. exc. XU1 Eng.			
			RIGHT HAND DRIVE	7416627	1
	CABLE ASSY.	XU1 Eng.		⁸⁹ 7416627	1
	CABLE ASSY.	XU1 Eng.		⁹⁰ 9931278	1
2.348	CABLE – Engine ground				
	CABLE ASSY.	1160, 70, 1300 Eng.		2824992	1
	CABLE ASSY.	1600, 1760 Eng.		7194477	1
2.361	DISTRIBUTOR				
	DISTRIBUTOR ASSY.	1160, 1300 Eng.		7953253	1
	DISTRIBUTOR ASSY.	70 Eng.		7953579	1
	DISTRIBUTOR ASSY.	1600 Eng.		7953734	1
	DISTRIBUTOR ASSY.	1760 Eng.		7953981	1
	DISTRIBUTOR ASSY.	2250 Eng.		2810250	1
	DISTRIBUTOR ASSY. (Bosch)	2250 Eng.		2810081	1
	DISTRIBUTOR ASSY. (Bosch)	2850, 3300 exc. XU1 Eng.		2820111	1
	DISTRIBUTOR ASSY.	XU1 Eng.		2824083	1
2.362	BUSHING, GASKET, SEAL – Distributor housing				
	SEAL	1160, 70, 1300 Eng.		7951994	1
	BASE	1600 Eng.		7953722	1
	BASE	1760 Eng.		7953834	1
	WASHER - Felt	1600, 1760 Eng.		7953425	1
	BUSHING (Lucas)	6 Cyl. exc. XU1 Eng.		VS12347	2
	FELT (Lucas)	6 Cyl. exc. XU1 Eng.		VS12348	1
	BUSHING (Bosch)	6 Cyl. Eng.		VS10841	2
	FELT (Bosch)	6 Cyl. Eng.		VS10843	1
	GASKET	6 Cyl. Eng.		6256636	1
2.364	WICK – Distributor				
	WICK	1160, 70, 1300 Eng.		819639	1
	WICK (Bosch)	6 Cyl. Eng.		VS10210	1
2.367	CAP – Distributor				
	CAP	1160, 70, 1300 Eng.		841735	1
	CAP	1600, 1760 Eng.		7953430	1
	CAP (Lucas)	6 Cyl. exc. XU1 Eng.		7428968	1
	CAP (Bosch)	6 Cyl. Eng.		VS10866	1

Note: ⁸⁹ Up to Eng No. JP386597.
⁹⁰ From Eng. No. JP386598.

HOLDEN "LJ" PARTS CATALOGUE

GROUP	DESCRIPTION	MODEL	SIDE	PART No.	QTY.
2.368	SPRING, CLIP – Distributor cap retaining				
	SPRING	1160, 70, 1300 Eng.		7952826	2
	SCREW – Attaching	1160, 70, 1300 Eng.		7952825	2
	CLIP	1600, 1760 Eng.		1945756	2
	SPRING(Lucas)	6 Cyl. Eng.		7428982	2
	SPRING(Bosch)	6 Cyl. Eng.		VS10868	2
2.370	BRUSH – Distributor cap				
	BRUSH(Lucas)	6 Cyl. exc. XU1 Eng.		1018694	1
	BRUSH(Bosch)	6 Cyl. Eng.		7405562	1
2.372	SHAFT – Distributor				
	SHAFT & CAM ASSY.	1160, 70, 1300 Eng.		7992083	1
	WASHER – Upper	1160, 70, 1300 Eng.		44623	1
	WASHER – Lower	1160, 70, 1300 Eng.		7952833	1
	PIN – Lower washer retaining	1160, 70, 1300 Eng.		7953060	1
	SHAFT	1600 Eng.		7953784	1
	SHAFT	1760 Eng.		7992075	1
	SHAFT(Lucas)	6 Cyl. exc. XU1 Eng.		VS12345	1
	SHAFT	6 Cyl. Eng.		VS10202	1
	WASHER – Thrust fibre – Upper & lower(Bosch)	6 Cyl. Eng.		7424746	2
	SHIM – Thrust 0.1mm – Upper & lower(Bosch)	6 Cyl. Eng.		7405613	A.R.
	SHIM – Thrust 0.2mm – Upper & lower(Bosch)	6 Cyl. Eng.		7405615	A.R.
	SHIM – Thrust 0.3mm – Upper & lower(Bosch)	6 Cyl. Eng.		7405614	A.R.
2.374	GEAR, GEAR PACKAGE – Distributor				
	GEAR	1600, 1760 Eng.		7201105	1
	GEAR PACKAGE – (Steel)	6 Cyl. Eng.		7423613	1
	GEAR PACKAGE – (Nylon)	2850, 3300 exc. XU1 Eng.		VS12353	1
2.379	PIN – Distributor gear				
	PIN – Slotted spring	1600, 1760 Eng.		7953427	1
	PIN – Slotted spring(Bosch)	6 Cyl. Eng.		VS10855	1
	PIN – Slotted spring(Lucas)	6 Cyl. exc. XU1 Eng.		454512	1
2.381	CAM – Distributor				
	CAM ASSY.	1600 Eng.		7953787	1
	RETAINER – Spring	1600 Eng.		7953438	1
	CAM ASSY.	1760 Eng.		7992076	1
	RETAINER – Spring	1760 Eng.		7992118	1
	CAM(Lucas)	2250 Eng.		VS12342	1
	CAM(Lucas)	2850, 3300 exc. XU1 Eng.		VS10306	1
	CIRCLIP – Cam retainer(Lucas)	6 Cyl. exc. XU1 Eng.		VS12343	1
	CAM(Bosch)	2250 Eng.		VS11435	1
	CAM(Bosch)	2850, 3300 exc. XU1 Eng.		VS12012	1
	CAM	XU1 Eng.		VS12157	1
	RING – Cam spacer(Bosch)	6 Cyl. Eng.		VS10211	1
	WASHER – Cam retainer(Bosch)	6 Cyl. Eng.		VS12193	1
	CIRCLIP – Cam retainer(Bosch)	6 Cyl. Eng.		VS10204	1
2.382	ROTOR – Distributor				
	ROTOR	1160, 70, 1300 Eng.		820445	1
	ROTOR	1600, 1760 Eng.		1945369	1
	ROTOR(Lucas)	6 Cyl. exc. XU1 Eng.		7428969	1
	ROTOR(Bosch)	6 Cyl. Eng.		7424755	1
2.384	CONTACT SET – Distributor				
	CONTACT SET	1160, 70, 1300 Eng.		7953383	1
	CONTACT SET	1600, 1760 Eng.		7953448	1
	CONTACT SET(Lucas)	6 Cyl. exc. XU1 Eng.		7428964	1
	CONTACT SET(Bosch)	6 Cyl. exc. XU1 Eng.		VS10858	1
	CONTACT SET	XU1 Eng.		VS12013	1

HOLDEN "LJ" PARTS CATALOGUE

GROUP	DESCRIPTION	MODEL	SIDE	PART No.	QTY.
2.385	PLATE – Distributor breaker				
	PLATE ASSY.	1160, 1300 Eng.		7952978	1
	PLATE ASSY.	70 Eng.		7953730	1
	SCREW – Plate attaching	1160, 70, 1300 Eng.		131954	1
	PLATE – Contact breaker	1600, 1760 Eng.		7953432	1
	INSULATOR – Circuit breaker	4 Cyl Eng.		1954560	1
	CIRCUIT BREAKER ASSY.	1760 Eng.		7953803	1
	PLATE – Breaker base	6 Cyl. exc. XU1 Eng.		VS12352	1
	PLATE – Breaker bearing	6 Cyl. exc. XU1 Eng.		7428972	1
	PLATE & SUPPORT ASSY.(Bosch)	6 Cyl. exc. XU1 Eng.		VS10856	1
	PLATE & SUPPORT ASSY.	XU1 Eng.		VS12158	1
	SCREW – Plate support(Bosch)	6 Cyl. Eng.		VS10861	2
	WASHER – Support screw lock(Bosch)	6 Cyl. Eng.		VS10992	2
	BALL – Plate retaining(Bosch)	6 Cyl. Eng.		7406742	1
	RETAINER – Plate ball(Bosch)	6 Cyl. Eng.		VS10863	1
2.387	SCREW – Distributor				
	SCREW – Contact point locking	4 Cyl. Eng.		816784	1
	SCREW – Contact breaker(Bosch)	6 Cyl. Eng.		7424749	1
	WASHER – Plain(Bosch)	6 Cyl. Eng.		7406900	1
	WASHER – Screw lock(Bosch)	6 Cyl. Eng.		7406323	1
2.388	WEIGHT – Distributor				
	WEIGHT	1600 Eng.		1965843	2
	WEIGHT	1760 Eng.		7953553	2
	WEIGHT(Lucas)	6 Cyl. exc. XU1 Eng.		7428980	2
	WEIGHT(Bosch)	6 Cyl. Eng.		VS10205	2
	WASHER – Weight spacer(Bosch)	6 Cyl. Eng.		VS10206	2
2.389	SPRING – Distributor weight				
	SPRING SET	1160, 70, 1300 Eng.		7952980	1
	SPRING SET	1600 Eng.		7953848	1
	SPRING SET	1760 Eng.		7992125	1
	SPRING SET(Lucas)	2250 Eng.		VS12344	1
	SPRING SET(Lucas)	2850, 3300 Exc. XU1 Eng.		VS12351	1
	SPRING SET(Bosch)	2850, 3300 Eng.		VS10269	1
	SPRING – Light(Bosch)	2250 Eng.		VS10851	1
	SPRING – Light(Bosch)	2850, 3300 Eng.		VS11737	1
	SPRING – Heavy(Bosch)	2250 Eng.		VS10852	1
	SPRING – Heavy(Bosch)	2850, 3300 exc. XU1 Eng.		VS11738	1
	SPRING – Heavy	XU1 Eng.		VS12156	1
2.393	CONDENSER – Distributor				
	CONDENSER	4 Cyl. Eng.		1928111	1
	SCREW – Condenser attaching	4 Cyl. Eng.		131954	1
	CONDENSER(Lucas)	6 Cyl. exc. XU1 Eng.		7428970	1
	CONDENSER – With lead and clip(Bosch)	6 Cyl. Eng.		VS10845	1
	SCREW & WASHER – Attaching(Bosch)	6 Cyl. Eng.		VS10982	1
2.396	GASKET – Distributor to oil pump				
	GASKET	1600, 1760 Eng.		7206309	1
2.400	LEAD – Distributor				
	LEAD – Low tension, with grommet	1160, 1300 Eng.		7953010	1
	LEAD – Low tension, with grommet	70 Eng.		7952839	1
	LEAD – Low tension, with grommet	1600, 1760 Eng.		7953800	1
	LEAD – Earth	4 Cyl. Eng.		7952856	1
	LEAD – Low tension(Lucas)	6 Cyl. exc. XU1 Eng.		VS10305	1
	LEAD – Earth(Lucas)	6 Cyl. exc. XU1 Eng.		VS12346	1

N.L.A.

HOLDEN "LJ" PARTS CATALOGUE

GROUP	DESCRIPTION	MODEL	SIDE	PART No.	QTY.
2.410	VACUUM CONTROL – Distributor				
	VACUUM CONTROL ASSY.	1160, 1300 Eng.		7952830	1
	VACUUM CONTROL ASSY.	70 Eng.		7953612	1
	SCREW – Attaching	1160, 70, 1300 Eng.		7952825	1
	VACUUM CONTROL ASSY.	1600 Eng.		7953782	1
	VACUUM CONTROL ASSY.	1760 Eng.		7992054	1
	SCREW – Attaching	1600, 1760 Eng.		7953416	3
	VACUUM CONTROL ASSY.(Lucas)	6 Cyl. exc. XU1 Eng.		VS12340	1
	VACUUM CONTROL ASSY.(Bosch)	2250 Eng.		VS11434	1
	VACUUM CONTROL ASSY.(Bosch)	2850, 3300 Eng.		VS10869	1
	SCREW & WASHER – Attaching(Bosch)	6 Cyl. Eng.		VS10982	1
	CLIP – Rod attaching(Bosch)	6 Cyl. Eng.		7405638	1
2.414	CLAMP, RETAINER – Distributor				
	CLAMP	1160, 70, 1300 Eng.		7952137	1
	BOLT – Clamp	1160, 70, 1300 Eng.		7952136	1
	SCREW & WASHER ASSY. – Distributor and oil pump to block	1600, 1760 Eng.		8825950	3
	CLAMP	6 Cyl. Eng.		7421939	1
	RETAINER – Clamp	6 Cyl. Eng.		3770598	1
2.424	PIPE, HOSE – Spark control				
	CONNECTOR – Control pipe	1160, 1300 Eng.		6345662	2
	CONNECTOR – Control pipe	70 Eng.		7173160	1
	CLIP – Control pipe to fuel pipe	1160, 70, 1300 Eng.		6380678	2
	PIPE ASSY.	1600, 1760 Eng.		7204236	1
	PIPE ASSY.	6 Cyl. exc. XU1 Eng.			
	PIPE ASSY.	6 Cyl. exc. XU1 Eng.	RIGHT HAND DRIVE	(⁹² 7426212)	1
	PIPE ASSY.	6 Cyl. exc. XU1 Eng.	RIGHT HAND DRIVE	(⁹³ 9930308)	1
	PIPE ASSY.	6 Cyl. exc. XU1 Eng.	LEFT HAND DRIVE	7426212	1
	HOSE – Pipe to vacuum control	6 Cyl. exc. XU1 Eng.		2820844	1
	PIPE	XU1 Eng.		2823417	1
	HOSE – Pipe to carburettor	XU1 Eng.		2823781	1
	ADAPTOR	XU1 Eng.		2823842	1
	CLIP – Control pipe to fuel pipe	6 Cyl. exc. XU1 Eng.		599119	2
2.447	SWITCH – Stop light				
	SWITCH ASSY.	ALL		2813385	1
	NUT – Switch attaching	ALL		858388	2
2.459	SWITCH – Dimmer				
	SWITCH ASSY.	ALL		1997037	1
2.481	PANEL – Fuse				
	PANEL ASSY.	ALL		2809464	1
	BRACKET – Panel mounting	ALL		2810251	1
	CLIP & TERMINAL ASSY. – Fuse holder	ALL		7418077	2-1
	FUSE – 3 amp.	ALL		9426341	A.R.
	FUSE – 15 amp.	ALL		9426333	A.R.
	FUSE – 25 amp.	6 Cyl. Eng. Air Cond.		9426332	1
2.485	SWITCH – Lighting				
	SWITCH ASSY.	ALL		2812188	1
2.486	ROD – Lighting switch control				
	ROD ASSY.	ALL		2818767	1

Note: (⁹² Prior to A.D.R.27.
(⁹³ With A.D.R. 27.

HOLDEN "LJ" PARTS CATALOGUE

GROUP	DESCRIPTION	MODEL	SIDE	PART No.	QTY.
2.487	BUSHING – Lighting switch				
	BUSHING ASSY.	ALL		7432030	1
2.500	REGULATOR – Voltage and current				
	REGULATOR ASSY.(Bosch)	ALL		7430879	1
	REGULATOR ASSY.(Lucas)	ALL		⁽⁹⁸⁾ 2819155	1
	REGULATOR ASSY.(Lucas)	6 Cyl. exc. XU1 Eng.		⁽⁹⁹⁾ VS12536	1
2.515	INSTRUMENT – Combined				
	INSTRUMENT ASSY. – Warning lamps (British units)	Torana S,DeluxeRIGHT HAND DRIVE		⁽¹⁰²⁾ 2818887	1
	INSTRUMENT ASSY. – Warning lamps (British Units)	Torana, S, DeluxeRIGHT HAND DRIVE		⁽¹⁰³⁾ 9929589	1
	INSTRUMENT ASSY. – Warning lamps (Dual British/Metric Units)	Torana, S, DeluxeRIGHT HAND DRIVE		⁽¹⁰²⁾ 2829816	1
	INSTRUMENT ASSY. – Warning lamps (Dual British/Metric Units)	Torana, S, DeluxeRIGHT HAND DRIVE		⁽¹⁰³⁾ 9929557	1
	INSTRUMENT ASSY. – Warning lamps (British units)	SLEFT HAND DRIVE		2808284	1
	INSTRUMENT ASSY. – Warning lamps (British units)	SLRIGHT HAND DRIVE		⁽¹⁰²⁾ 2818888	1
	INSTRUMENT ASSY. – Warning lamps (British Units)	SLRIGHT HAND DRIVE		⁽¹⁰³⁾ 9929554	1
	INSTRUMENT ASSY. – Warning lamps (Dual British/Metric Units)	SLRIGHT HAND DRIVE		⁽¹⁰²⁾ 2829817	1
	INSTRUMENT ASSY. – Warning lamps (Dual British/Metric Units)	SLRIGHT HAND DRIVE		⁽¹⁰³⁾ 9929558	1
	INSTRUMENT ASSY. – Warning lamps (British units)	SLLEFT HAND DRIVE		2815927	1
	INSTRUMENT ASSY. – Gauges(British units)	ALLRIGHT HAND DRIVE		⁽¹⁰²⁾ 2818891	1
	INSTRUMENT ASSY. – Gauges(British units)	ALLRIGHT HAND DRIVE		⁽¹⁰³⁾ 9929555	1
	INSTRUMENT ASSY. – Gauges (Dual British/Metric Units)	ALLRIGHT HAND DRIVE		⁽¹⁰³⁾ 9929556	1
	INSTRUMENT ASSY. – Gauges(British units)	ALLLEFT HAND DRIVE		2808286	1
	INSTRUMENT ASSY. – Warning lamps(Metric)	Torana, S, DeluxeRIGHT HAND DRIVE		2818889	1
	INSTRUMENT ASSY. – Warning lamps(Metric)	SLEFT HAND DRIVE		2808285	1
	INSTRUMENT ASSY. – Warning lamps(Metric)	SLRIGHT HAND DRIVE		2818890	1
	INSTRUMENT ASSY. – Warning lamps(Metric)	SLLEFT HAND DRIVE		2815928	1
	INSTRUMENT ASSY. – Gauges(Metric)	ALLRIGHT HAND DRIVE		2818892	1
	INSTRUMENT ASSY. – Gauges(Metric)	ALLLEFT HAND DRIVE		2808287	1
	BULB - Panel lighting (warning lamps)	ALL		9421330	9
	BULB - Panel lighting (gauges)	ALL		9417863	9

Note: ⁽⁹⁸⁾ Use on generators without integrated Regulator.
⁽⁹⁹⁾ Use on generators with integrated regulator.
⁽¹⁰²⁾ Brake Warning Light is at the bottom of the facia panel.
⁽¹⁰³⁾ Brake Warning Light is at the top of the facia panel.

HOLDEN "LJ" PARTS CATALOGUE

2.515 SERVICE COMPONENTS OF COMBINED INSTRUMENT ASSEMBLIES

SERVICE COMPONENTS	DRIVE	INSTRUMENT ASSEMBLIES				
		2818887	2818888	2818889	2818890	2818891
		2808284	2815927	2808285	2815928	2808286
AMMETER						VS11251
BRACKET - Gauge support						VS10930
BRACKET - Inst. back plate	RIGHT HAND DRIVE	VS12306	VS12306	VS12306	VS12306	VS12306
BRACKET - Inst. back plate (one hole)	LEFT HAND DRIVE	VS10734	VS10734	VS10734	VS10734	VS10734
BRACKET - Inst. back plate (two hole)	LEFT HAND DRIVE					VS10933
CLIP - Terminal block		VS10926	VS10926	VS10926	VS10926	VS10926
DIAL - Fuel gauge	RIGHT HAND DRIVE	VS12302	VS12302	VS12302	VS12302	
DIAL - Speedometer				VS11262	VS11262	VS11263
DIAL - Tell tale	RIGHT HAND DRIVE	VS12301	VS12301	VS12301	VS12301	
DIAL - Tell tale	LEFT HAND DRIVE	VS10935	VS10935	VS10935	VS10935	
GAUGE - Fuel	RIGHT HAND DRIVE	VS12303	VS12303	VS12303	VS12303	VS11253
GAUGE - Fuel	LEFT HAND DRIVE	VS11252	VS11252	VS11252	VS11252	VS11253
GAUGE - Oil pressure						VS11265
GAUGE - Temperature						VS11254
GLASS - Instrument		VS11268	VS11268	VS11268	VS11268	VS11268
HOUSING - High beam lamp		VS10943	VS10943	VS10943	VS10943	
LENS - Generator warning lamp		VS10938	VS10938	VS10938	VS10938	
LENS - High beam	RIGHT HAND DRIVE	VS12308	VS12308	VS12308	VS12308	VS12308
LENS - Oil pressure warning lamp		VS10939	VS10939	VS10939	VS10939	
LENS - Temperature warning lamp		VS10937	VS10937	VS10937	VS10937	
NUT - Gauge retainer	RIGHT HAND DRIVE					VS12309
NUT - Gauge retainer	LEFT HAND DRIVE					VS10723
NUT - Gauge retainer (Plastic)	LEFT HAND DRIVE					VS10924
NUT - Moulding to panel		SP2307	SP2307	SP2307	SP2307	SP2307
NUT - Tachometer terminal						VS10925
ODOMETER & BRACKET ASSY.		VS11260	VS11260	VS11261	VS11261	VS11260
PANEL - Facia	RIGHT HAND DRIVE	VS12298	VS12299	VS12298	VS12299	VS12300
PANEL - Facia	LEFT HAND DRIVE	VS11256	VS11258	VS11256	VS11258	VS11257
PLATE - Instrument back	RIGHT HAND DRIVE	VS12305	VS12305	VS12305	VS12305	VS10940
PLATE - Instrument back	LEFT HAND DRIVE	VS10928	VS10928	VS10928	VS10928	VS10940
POINTER - Fuel gauge	RIGHT HAND DRIVE	VS11088	VS11088	VS11088	VS11088	
POINTER - Speedometer		VS11259	VS11259	VS11259	VS11259	VS11259
PRINTED CIRCUIT	LEFT HAND DRIVE	VS10715	VS10715	VS10715	VS10715	
RESISTOR ASSY. - Fuel gauge	RIGHT HAND DRIVE	VS12307	VS12307	VS12307	VS12307	2822938
RESISTOR ASSY. - Fuel gauge	LEFT HAND DRIVE	2822946	2822946	2822946	2822946	2822938
RETAINER - Gauge						VS10923

HOLDEN "LJ" PARTS CATALOGUE

2.515 SERVICE COMPONENTS OF COMBINED INSTRUMENT ASSEMBLIES (Continued)

SERVICE COMPONENTS	DRIVE	INSTRUMENT ASSEMBLIES				
		2818887	2818888	2818889	2818890	2818891
		2808284	2815927	2808285	2815928	2808286
SCREW – Bracket to back plate		VS10747	VS10747	VS10747	VS10747	VS10747
SCREW – Inst. assy. to panel		VS10931	VS10931	VS10931	VS10931	VS10931
SCREW – Tachometer retainer						VS10929
SEAL – High beam lamp housing	LEFT HAND DRIVE	VS10942	VS10942	VS10942	VS10942	
SPEEDOMETER ASSY		VS11187	VS11187	VS11189	VS11189	VS11188
TACHOMETER ASSY						VS11191
TERMINAL BLOCK – Tachometer						VS10927

SERVICE COMPONENTS	DRIVE	INSTRUMENT ASSEMBLIES				
		2818892				
		2808287	2829816	2829817	2829818	9929554
AMMETER		VS11251			VS11251	
BRACKET – Gauge support		VS10930			VS10930	
BRACKET – Inst. back plate	RIGHT HAND DRIVE	VS12306	VS12306	VS12306	VS12306	VS12306
BRACKET – Inst. back plate (one hole)	LEFT HAND DRIVE	VS10734				
BRACKET – Inst. back plate (two holes)	LEFT HAND DRIVE	VS10933				
BRIDGE – Speedometer 2nd.			VS12522			
CLIP – Terminal block		VS10926				
DIAL – Fuel gauge			VS12302	VS12302		VS12302
DIAL – Speedometer		VS11264	VS12526	VS12295	VS12295	
DIAL – Tell tale			VS12301	VS12301		VS12301
GAUGE – Fuel		VS11253	VS12369	VS12303	VS11253	VS12303
GAUGE – Temperature		VS11255			VS11255	
GAUGE – Oil pressure					VS11266	
GLASS – Instrument		VS11268				
HOUSING – High beam lamp			VS10943	VS10943		
LENS – Generator warning lamp			VS10938	VS10938		VS10938
LENS – High beam	RIGHT HAND DRIVE	VS12308	VS12308	VS12308	VS12308	VS12308
LENS – Oil pressure warning lamp			VS10939	VS10939		VS10939
LENS – Temperature warning lamp			VS10937	VS10937		
NUT – Gauge retainer	RIGHT HAND DRIVE	VS12309			VS12309	
NUT – Gauge retainer	LEFT HAND DRIVE	VS10723				
NUT – Gauge retainer (Plastic)	LEFT HAND DRIVE	VS10924				
NUT – Moulding to panel		SP2307				
NUT – Tachometer terminal		VS10925			VS10925	
ODOMETER & BRACKET ASSY.		VS11261	VS11261	VS11261	VS11261	

HOLDEN "LJ" PARTS CATALOGUE

2.515 SERVICE COMPONENTS OF COMBINED INSTRUMENT ASSEMBLIES (Continued)

SERVICE COMPONENTS	DRIVE	INSTRUMENT ASSEMBLIES					
		2818892	2808287	2829816	2829817	2829818	9929554
PANEL - Facia	RIGHT HAND DRIVE	VS12300		VS12298	VS12299	VS12300	VS12624
PANEL - Facia	LEFT HAND DRIVE	VS11257					
PLATE - Instrument back	RIGHT HAND DRIVE	VS10940		VS12305	VS12305		VS12305
PLATE - Instrument back	LEFT HAND DRIVE	VS10940					
POINTER - Fuel gauge				VS11088	VS11088		
POINTER - Speedometer		VS11259		VS12525			
RESISTOR ASSY. - Fuel gauge		2822938		VS12307	VS12307		
RETAINER - Gauge		VS10923				VS10923	
SCREW - Bracket to back plate		VS10747					
SCREW - Inst. assy. to panel		VS10931					
SCREW - Tachometer retainer		VS10929				VS10929	
SPEEDOMETER ASSY.		VS11190		VS12359	VS11189	VS11190	VS11187
SPEEDOMETER SYSTEM ASSY.				VS12519			
TACHOMETER ASSY.		VS11191				VS11191	
TERMINAL BLOCK - Tachometer		VS10927				VS10927	

SERVICE COMPONENTS	DRIVE	INSTRUMENT ASSEMBLIES				
		9929555	9929556	9929557	9929558	9929589
AMMETER		VS11251	VS11251			
BRACKET - Gauge support		VS10930	VS10930			
BRACKET - Inst. back plate		VS10933	VS10933	VS12306	VS12306	VS12306
BRIDGE - Speedometer 2nd.		VS12522	VS12522			
DIAL - Fuel gauge				VS12302	VS12302	VS12302
DIAL - Speedometer		VS11263	VS12524	VS12526	VS12526	
DIAL - Tell tale				VS12301	VS12301	VS12301
GAUGE - Fuel		VS11253	VS11253	VS12303	VS12303	VS12303
GAUGE - Oil pressure		VS12609	VS12609			
GAUGE - Temperature		VS11254	VS11255			
LENS - Generator warning lamp				VS10938	VS10938	VS10938
LENS - High beam		VS12308	VS12308	VS12308	VS12308	VS12308
LENS - Oil pressure warning lamp				VS10939	VS10939	VS10939
NUT - Gauge retainer		VS12309	VS12309			
PANEL - Facia		VS12608	VS12608	VS12743	VS12624	VS12743
PIN - Speedometer lock			7425109			
PLATE - Instrument back				VS12305	VS12305	VS12305
POINTER - Speedometer		VS12525	VS12525			

HOLDEN "LJ" PARTS CATALOGUE

2.515 SERVICE COMPONENTS OF COMBINED INSTRUMENT ASSEMBLIES (Continued)

SERVICE COMPONENTS	DRIVE	INSTRUMENT ASSEMBLIES				
		9929555	9929556	9929557	9929558	9929589
RETAINER – Gauge		VS10923	VS10923			
SCREW – Bracket to back plate		VS10747	VS10747			
SCREW – Inst. assy. to panel		VS10931	VS10931			
SCREW – Terminal block		VS10929	VS10929			
SPEEDOMETER ASSY.		VS11188	VS12360	VS12359	VS12359	VS11187
SPEEDOMETER SYSTEM ASSY.		VS12519	VS12519			
TACHOMETER ASSY.		VS11191	VS11191			
TERMINAL BLOCK – Tachometer		VS10927	VS10927			

HOLDEN "LJ" PARTS CATALOGUE

GROUP	DESCRIPTION	MODEL	SIDE	PART No.	QTY.
2.555	HARNES – Main Wiring				
	HARNES ASSY. – (Warning lamps)	(M) 1160, 70, 1300 Eng.		(¹⁰⁴ 2820404	1
	HARNES ASSY. – (Warning lamps)	(M) 1160, 1300 Eng.		(¹⁰⁵ 2824066	1
	HARNES ASSY. – (Warning lamps)	(M) 1600, 1760 Eng.		(¹⁰⁵ 2824070	1
	HARNES ASSY. – (Warning lamps)	(A) 70, 1300 Eng.		(¹⁰⁴ 2820432	1
	HARNES ASSY. – (Warning lamps)	(A) 70, 1300 Eng.		(¹⁰⁵ 2824067	1
	HARNES ASSY. – (Warning lamps)	(A) 1600, 1760 Eng.		(¹⁰⁴ 2822067	1
	HARNES ASSY. – (Warning lamps)	(A) 1600, 1760 Eng.		(¹⁰⁵ 2824071	1
	HARNES ASSY. – (Gauges)	(M) 1160, 70, 1300 Eng.		(¹⁰⁴ 2820430	1
	HARNES ASSY. – (Gauges)	(M) 1160, 1300 Eng.		(¹⁰⁵ 2824068	1
	HARNES ASSY. – (Gauges)	(M) 1600, 1760 Eng.		(¹⁰⁴ 2822054	1
	HARNES ASSY. – (Gauges)	(M) 1600, 1760 Eng.		(¹⁰⁵ 2824072	1
	HARNES ASSY. – (Gauges)	(A) 70, 1300 Eng.		(¹⁰⁴ 2820431	1
	HARNES ASSY. – (Gauges)	(A) 70, 1300 Eng.		(¹⁰⁵ 2824069	1
	HARNES ASSY. – (Gauges)	(A) 1600, 1760 Eng.		(¹⁰⁴ 2822068	1
	HARNES ASSY. – (Gauges)	(A) 1600, 1760 Eng.		(¹⁰⁵ 2824073	1
	HARNES ASSY. – (Warning lamps) (Bucket seats).	(M) 6 Cyl. Eng.RIGHT HAND DRIVE		(⁹⁸ 2820282	1
		LEFT HAND DRIVE		(⁹⁸ 2824358	1
	HARNES ASSY. – (Warning lamps) (Bucket seats).	(M) 6 Cyl. Eng.RIGHT HAND DRIVE		(¹⁰⁶ 2825543	1
		LEFT HAND DRIVE		(⁹⁹ 2825549	1
	HARNES ASSY. – (Warning lamps) (Bucket seats).	(M) 6 Cyl. Eng.RIGHT HAND DRIVE		(¹⁰⁵ 2824060	1
	HARNES ASSY. – (Warning lamps) (Bucket seats).	(A) 6 Cyl. Eng.RIGHT HAND DRIVE		(⁹⁸ 2820307	1
		LEFT HAND DRIVE		(⁹⁸ 2824359	1
	HARNES ASSY. – (Warning lamps) (Bucket seats).	(A) 6 Cyl. Eng.RIGHT HAND DRIVE		(¹⁰⁶ 2825544	1
		LEFT HAND DRIVE		(⁹⁹ 2825550	1
	HARNES ASSY. – (Warning lamps) (Bucket seats).	(A) 6 Cyl. Eng.RIGHT HAND DRIVE		(¹⁰⁵ 2824061	1
	HARNES ASSY. – (Gauges) (Bucket seats)	(M) 6 Cyl. Eng.RIGHT HAND DRIVE		(⁹⁸ 2820417	1
		LEFT HAND DRIVE		(⁹⁸ 2824360	1
	HARNES ASSY. – (Gauges) (Bucket seats)	(M) 6 Cyl. Eng.RIGHT HAND DRIVE		(¹⁰⁶ 2825546	1
		LEFT HAND DRIVE		(⁹⁹ 2825551	1
	HARNES ASSY. – (Gauges) (Bucket seats)	(M) 6 Cyl. exc. XU1 Eng.			
		RIGHT HAND DRIVE		(¹⁰⁵ 2824063	1
	HARNES ASSY.	XU1 up to Eng. No. JP386597		(¹⁰⁵ 2824063	1
	HARNES ASSY.	XU1 from Eng. No. JP386598		9936405	1
	HARNES ASSY. – (Gauges) (Bucket seats)	(A) 6 Cyl. Eng.RIGHT HAND DRIVE		(⁹⁸ 2820418	1
		LEFT HAND DRIVE		(⁹⁸ 2824361	1
	HARNES ASSY. – (Gauges) (Bucket seats)	(A) 6 Cyl. Eng.RIGHT HAND DRIVE		(¹⁰⁶ 2825547	1
		LEFT HAND DRIVE		(⁹⁹ 2825552	1
	HARNES ASSY. – (Gauges) (Bucket seats)	(A) 6 Cyl. Eng.RIGHT HAND DRIVE		(¹⁰⁵ 2824064	1
	HARNES ASSY. – (Warning lamps) (Bench seat) ..	6 Cyl. Eng.		(⁹⁸ 2820306	1
	HARNES ASSY. – (Warning lamps) (Bench seat) ..	6 Cyl. Eng.		(¹⁰⁶ 2825545	1
	HARNES ASSY. – (Warning lamps) (Bench seat) ..	6 Cyl. Eng.		(¹⁰⁵ 2824062	1
	HARNES ASSY. – (Gauges) (Bench seat)	6 Cyl. Eng.		(⁹⁸ 2820419	1
	HARNES ASSY. – (Gauges) (Bench seat)	6 Cyl. Eng.		(¹⁰⁶ 2825548	1
	HARNES ASSY. – (Gauges) (Bench seat)	6 Cyl. Eng.		(¹⁰⁵ 2824065	1
	WIRE – Thermostat switch to engine harness	1600 Eng.		8838985	1
	LEAD ASSY. – Headlamp to main wiring harness		RIGHT HAND DRIVE	(¹⁰⁵ 2825218	2
	SOCKET – High beam indicator lamp, bulb holder	ALL		(¹⁰⁵ 2815952	1
	LEAD ASSY. – Headlamp and regulator	ALL		(¹⁰⁴ 9929929	1
	BODY – Single terminal	ALL		2962448	A.R.
	BODY – 2 way terminal	ALL		2962964	A.R.
	BODY – 3 way terminal female		LEFT HAND DRIVE	2962449	1
	BODY – 3 way terminal, headlamp connector		LEFT HAND DRIVE	(¹⁰⁴ 2977804	1
	BODY – Headlamp connector		RIGHT HAND DRIVE	(¹⁰⁵ 2824076	2
	BODY – 3 way terminal, male	ALL		(¹⁰⁴ 2973172	2
	BODY – 2 way terminal, female	ALL		2962551	2
	CLIP – Harness to dash panel	ALL		7413031	A.R.
	CLIP – Harness to dash panel	ALL		7413370	A.R.
	CLIP – Harness to dash panel	6 Cyl. Eng.		SP2199	1

Note: (⁹⁸ Use on generators without integrated Regulator.

(⁹⁹ Use on generators with integrated regulator.

(¹⁰⁴ Use with white front turn signal lamps.

(¹⁰⁵ Use with amber front turn signal lamps.

(¹⁰⁶ Use on vehicles with white front turn signal lamps and generators, with integrated regulators.

HOLDEN "LJ" PARTS CATALOGUE

GROUP	DESCRIPTION	MODEL	SIDE	PART No.	QTY.
2.555	HARNESS – Main Wiring (contd.)				
	CLIP – Harness to frame (Bench Seats)	6 Cyl. Eng.		SP2199	1
	CLIP – Harness to dash upper panel	ALL		7154559	A.R.
	CLIP – Harness to front valance panel	4 Cyl. Eng.		SP1498	3
	CLIP – Harness to front side rail	4 Cyl. Eng.		SP1498	2
	CLIP – Harness to RH fender skirt	4 Cyl. Eng.		SP1498	1
	CLIP – Harness attaching	6 Cyl. Eng.		7413032	2
	CLIP – Harness to transmission	(M) 1600, 1760 Eng.		7401178	1
	CLIP – Harness to RH engine side rail	1600, 1760 Eng.		SP2199	1
	CONNECTOR – Main wiring harness	ALL		8838986	1
	TERMINAL – High beam indicator lamp, bulb holder	ALL		(¹⁰⁵ 6294684	1
	TERMINAL – Cigar lighter lead	411, 469, 569		2962447	2
	LINK – Fusible	ALL		7449910	1
2.585	LAMP – Parking and turn signal				
	LAMP ASSY	4 Cyl. Eng.	LH	(¹⁰⁴ 7447217	1
			RH	(¹⁰⁴ 7447218	1
	BULB – 12-16 volt 32 – 4 C.P.	ALL		(¹⁰⁴ 9417867	2
	BULB – 12-16 volt 32-3 c.p. parking and turn signal. LAMP ASSY.	ALL		(¹⁰⁴ SP2486	2
		4 Cyl. Eng.	LH	(¹⁰⁵ 2823771	1
			RH	(¹⁰⁵ 2823770	1
	BULB – 12-16 volt 32-4 c.p. turn signal	RIGHT HAND DRIVE		(¹⁰⁵ 9417867	2
	BULB – 12-16 volt 32-3 c.p. turn signal (Heavy Duty)	RIGHT HAND DRIVE		(¹⁰⁵ SP2486	2
	BULB – 12-16 volt 2 c.p. parking lamp	RIGHT HAND DRIVE		(¹⁰⁵ 9421330	2
2.586	BODY – Parking and turn signal lamp				
	BODY ASSY.	6 Cyl. Eng.		(¹⁰⁴ 2805205	2
	BODY ASSY.	6 Cyl. Eng.		(¹⁰⁵ 2823775	2
2.589	LENS – Parking and turn signal lamp				
	LENS – (White)	ALL	LH	7447147	1
			RH	7447148	1
	LENS – (Amber)	RIGHT HAND DRIVE	LH	2823779	1
			RH	2823778	1
	SCREW – Lens to body	ALL		SP1801	4
	SEAL – Lens to body screw	ALL		1516054	4
2.590	GASKET – Parking and turn signal lamp lens				
	GASKET	ALL		7441906	2
2.596	LEAD, CARRIER – Parking and turn signal lamp				
	LEAD ASSY.	ALL		(¹⁰⁴ 7447220	2
	LEAD ASSY.	RIGHT HAND DRIVE		(¹⁰⁵ 2823777	2
	BODY – 2 way terminal	ALL		(¹⁰⁴ 2962964	2
	BODY – Male connector	RIGHT HAND DRIVE		(¹⁰⁵ 2962984	2
	GROMMET	6 Cyl. Eng.		SP1982	2
	CARRIER – Lead	ALL		7426881	2
	SPRING – Socket	ALL		7402293	2
	CLIP – Lead	4 Cyl. Eng.		7449524	2
2.670	BUMPER, WASHER – Rear licence plate mounting				
	BUMPER	ALL		7427353	2
	WASHER – Rubber	ALL		7424387	2

Note: (¹⁰⁴ Use with white front turn signal lamps.
(¹⁰⁵ Use with amber front turn signal lamps.

HOLDEN "LJ" PARTS CATALOGUE

GROUP	DESCRIPTION	MODEL	SIDE	PART No.	QTY.
2.679	LAMP, BASE, BULB – Tail, stop and turn signal				
	LAMP ASSY.	4 Cyl. Eng.	LH	2820641	1
			RH	2820642	1
	LAMP ASSY. – White back-up lens (optional Export only)	4 Cyl. Eng.	LH	2820663	1
			RH	2820662	1
	LAMP ASSY.	6 Cyl. Eng.	LH	2820643	1
			RH	2820644	1
	LAMP ASSY. – White back-up lens (optional Export only)	6 Cyl. Eng.	LH	2820665	1
			RH	2820664	1
	BULB – 12-16 volt 32 – 4 C.P.	ALL		9417867	2
	BULB – 12-16 volt 32 C.P.	ALL		9417866	2
	BULB – 12-16 volt 32-3 C.P. (heavy duty)	ALL		SP2486	2
	BULB – 12-16 volt 32 C.P. (heavy duty)	ALL		SP2487	2
	BULB – 12 – 16 volt 6 C.P.	6 Cyl. Eng.		142452	2
	BULB – 12-16 volt 21 C.P. (optional export only)	ALL		142456	2
	BASE	4 Cyl. Eng.	LH	2822853	1
			RH	2822852	1
	BASE	6 Cyl. Eng.	LH	2820647	1
			RH	2820646	1
	NUT – Lamp assembly to body	ALL		SP1900	8
2.681	RIM – Tail, stop and turn signal lamp				
	RIM ASSY.	ALL	LH	2820649	1
			RH	2820650	1
	SCREW – Rim to base	ALL		SP2130	16
2.682	LENS – Tail, stop and reflex				
	LENS – Tail & stop lamp – Inner	ALL		2820588	2
	LENS – Tail & stop lamp – Outer	ALL		2820587	2
	LENS – Tail lamp reflex	4 Cyl. Eng.	LH	2820655	1
			RH	2820654	1
	LENS – Tail lamp – Inner	6 Cyl. Eng.		2820648	2
	LENS – Tail lamp – Outer	6 Cyl. Eng.	LH	2820651	1
			RH	2820652	1
2.682	LENS – Tail, stop and turn signal lamp				
	LENS – Tail, stop & turn signal lamp – Inner (optional Export only)	ALL	LH	2820667	1
			RH	2820666	1
	LENS – Tail, stop & turn signal lamp – Outer (optional Export only)	ALL	LH	2820669	1
			RH	2820668	1
2.682	LENS – Turn signal and back-up lamp				
	LENS – Turn signal & back-up lamp – Inner	ALL	LH	2820657	1
			RH	2820658	1
	LENS – Turn signal & back-up lamp – Outer	ALL	LH	2820659	1
			RH	2820660	1
	LENS – Back-up lamp – Inner (optional Export only)	ALL		2820610	2
2.684	GASKET – Tail, stop and turn signal and back-up lamp				
	GASKET – Tail & stop lens to base	ALL		2820656	2
	GASKET – Tail lamp lens to base	ALL		2820653	2
	GASKET – Turn signal & back-up lens to base	ALL		2820661	2
	GASKET – Turn signal lens to base (optional Export only)	ALL		2820661	2
	GASKET – Back-up lens to base (optional Export only)	ALL		2820656	2

HOLDEN "LJ" PARTS CATALOGUE

GROUP	DESCRIPTION	MODEL	SIDE	PART No.	QTY.
2.697	SWITCH, NUT, SLEEVE, GASKET, HARNESS – Back-up lamp (Refer Group 4.054 for Automatic Trans. Switch Assy.)				
	SWITCH ASSY.	(M) 1160, 70, 1300 Eng.		7437067	1
	NUT - Switch attaching	(M) 1160, 70, 1300 Eng.		858388	1
	SLEEVE - Switch to underbody	(M) 1160, 70, 1300 Eng.		7447282	1
	GASKET - Switch to transmission	(M) 1160, 70, 1300 Eng.		513975	1
	PLATE - Switch operating	(M) 1160, 70, 1300 Eng.		2693330	1
	SWITCH ASSEMBLY	(M) 1600, 1760 Eng.		9959191	1
	HOUSING - Switch	(M) 1600, 1760 Eng.		8838273	1
	"O" RING - Sealing	(M) 1600, 1760 Eng.		6350011	1
	WASHER - Sealing	(M) 1600, 1760 Eng.		8838339	1
	SWITCH ASSY.	(M) 3 Speed Trans., 2250, 2850 Eng. RIGHT HAND DRIVE		2823580	1
	SWITCH ASSY.	(M) 6 Cyl. Eng., 4 Speed Trans. RIGHT HAND DRIVE		2823355 92002153	1
	BODY - 2 way male connector	(M) 6 Cyl. Eng., 4 Speed Trans.		2973431	1
	SWITCH ASSY.	(M) 3 Speed Trans.LEFT HAND DRIVE		2814394	1
	WIRE ASSY.	(M) 3 Speed Trans.LEFT HAND DRIVE		2814392	1
	NUT - Switch attaching	(M) 3 Speed Trans.LEFT HAND DRIVE		858388	1
	SWITCH ASSY.	(M) 4 Speed Trans.LEFT HAND DRIVE		7430383	1
	HARNESS ASSY.	(M) 4 Speed Trans.LEFT HAND DRIVE		2815337	1
	BOLT - Hex. hd. 8mm x 1.25mm x .47"	(M) 4 Speed Trans.LEFT HAND DRIVE		SP1691	2
	GROMMET - Wire	LEFT HAND DRIVE		7090220	1
	BODY - 2 way male connector	LEFT HAND DRIVE		2973431	1
	TERMINAL - Male	LEFT HAND DRIVE		2965429	2
	NOTE: Reference to the 4 Speed Transmission Illustrations is necessary for positive Type identification.				
2.705	GROMMET – Rear licence lamp				
	GROMMET - Bracket	ALL		7416288	2
2.714	HARNESS, BULB – Rear licence lamp				
	HARNESS ASSY.	ALL		2817531	1
	SPRING - Lamp socket	ALL		2962243	A.R.
	BULB - 12 - 16 volt 2 C.P. S.C.	ALL		9417863	1
2.725	HEADLAMP				
	HEADLAMP ASSY. PACKAGE	6 Cyl. Eng.RIGHT HAND DRIVE		⁽¹⁰⁵⁾ 2820429	2
	HEADLAMP ASSY. - Yellow bulb - (optional Export only)	LEFT HAND DRIVE		7435064	2
	BULB - 12 volt 45 - 50 watt. Yellow - (optional Export only)	LEFT HAND DRIVE		7427321	2
2.726	RING – Headlamp mounting				
	RING	4 Cyl. Eng.		7447862	2
	RING	6 Cyl. Eng.		7447111	2
2.727	SEALED BEAM UNIT, LENS and REFLECTOR – Headlamp				
	SEALED BEAM UNIT	RIGHT HAND DRIVE		⁽¹⁰⁴⁾ 7434806	2
	SEALED BEAM UNIT	RIGHT HAND DRIVE		⁽¹⁰⁵⁾ 2823661	2
		LEFT HAND DRIVE		5962548	2
	LENS & REFLECTOR - Yellow bulb lamp - (optional Export only)	LEFT HAND DRIVE		7427320	2

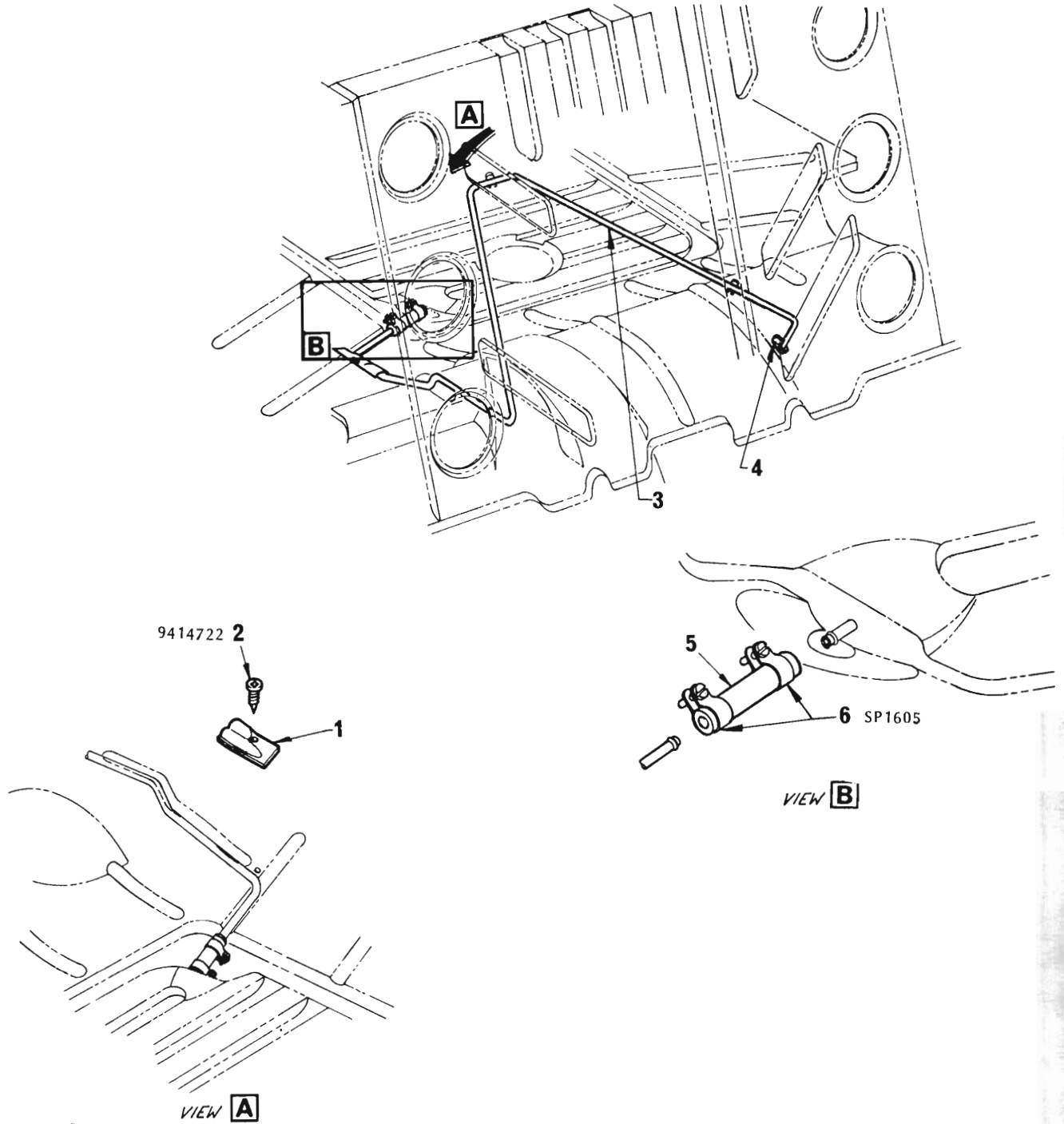
Note: ⁽¹⁰⁴⁾ Use with white front turn signal lamps.
⁽¹⁰⁵⁾ Use with amber front turn signal lamps.

HOLDEN "LJ" PARTS CATALOGUE

GROUP	DESCRIPTION	MODEL	SIDE	PART No.	QTY.
2.728 RIM – Headlamp					
RIM	1160, 70, 1300 Eng.		LH	2805257	1
			RH	2805256	1
RIM	1600, 1760 Eng.		LH	2822719	1
			RH	2822718	1
RIM	6 Cyl. Eng.	<i>M38113</i>	LH	2819789	1
		<i>M38114</i>	RH	2819788	1
SCREW – Rim attaching Rd. hd. tap. No. 8 – 18 x 50"	ALL			7448842	4-6
NUT – U-Type spring	ALL			SP1733	2-6
2.729 NUT – Headlamp adjusting					
NUT	ALL		<i>N.L.A.</i>	7432889	4
2.731 RING – Headlamp retaining					
RING ASSY.	ALL			9937561	2
SCREW – Pan head retaining	ALL			SP1867	6
2.737 SCREW – Headlamp beam adjusting					
SCREW	ALL			7432888	4
SPRING – Light unit retaining	ALL			7448437	2
2.810 HORN					
HORN ASSY. – Low note	1160, 70, 1300, 6 Cyl. Eng.			2811107	1
HORN ASSY. – Low note	1600, 1760 Eng.			7438083	1
HORN ASSY. – High note	1160, 70, 1300, 6 Cyl. Eng.			2811108	1
HORN ASSY. – High note	1600, 1760 Eng.			2817431	1
LEAD ASSY. – High note horn	1160, 70, 1300, 6 Cyl. Eng.			7431365	1
LEAD ASSY. – High note horn	1600, 1760 Eng.			2808643	1
BODY – Male connector	1600, 1760 Eng.			2962984	2
2.812 PLATE – Horn bracket mounting					
PLATE – Low note horn & bracket assy. to LH fender skirt	1600, 1760 Eng.			2820822	2
PLATE – Horn mounting reinforcement	6 Cyl. Eng. Air Cond. RIGHT HAND DRIVE			2820822	2
BRACKET – Horn mounting	6 Cyl. Eng. Air Cond. RIGHT HAND DRIVE			2824680	1
2.819 SCREW – Horn contact adjusting					
SCREW			RIGHT HAND DRIVE	2822614	1
			LEFT HAND DRIVE	7434166	1
2.820 BUTTON and EMBLEM, SPRING – Horn actuating					
BUTTON & EMBLEM ASSY.	GTR			2820451	1
SCREW – Horn button to adaptor	GTR			SP2249	1
2.822 SUPPORT and RING – Horn contact					
SUPPORT & RING ASSY.			RIGHT HAND DRIVE	2816312	1
SUPPORT & RING ASSY.	ALL		LEFT HAND DRIVE	7436460	1
SCREW – Pan hd. cr. rec. tap. "TT" type No. 8 – 32 x 1/2"	ALL			SP1768	2
2.824 ADAPTOR – Horn actuating bar					
ADAPTOR	Exc. GTR		RIGHT HAND DRIVE	2815851	1
SPRING – Adaptor to steering wheel	Exc. GTR		RIGHT HAND DRIVE	2823099	4
SCREW – Adaptor to steering wheel	Exc. GTR		RIGHT HAND DRIVE	7424198	4
ADAPTOR	GTR			2816892	1
SPRING – Adaptor to steering wheel hub	GTR			7449079	4

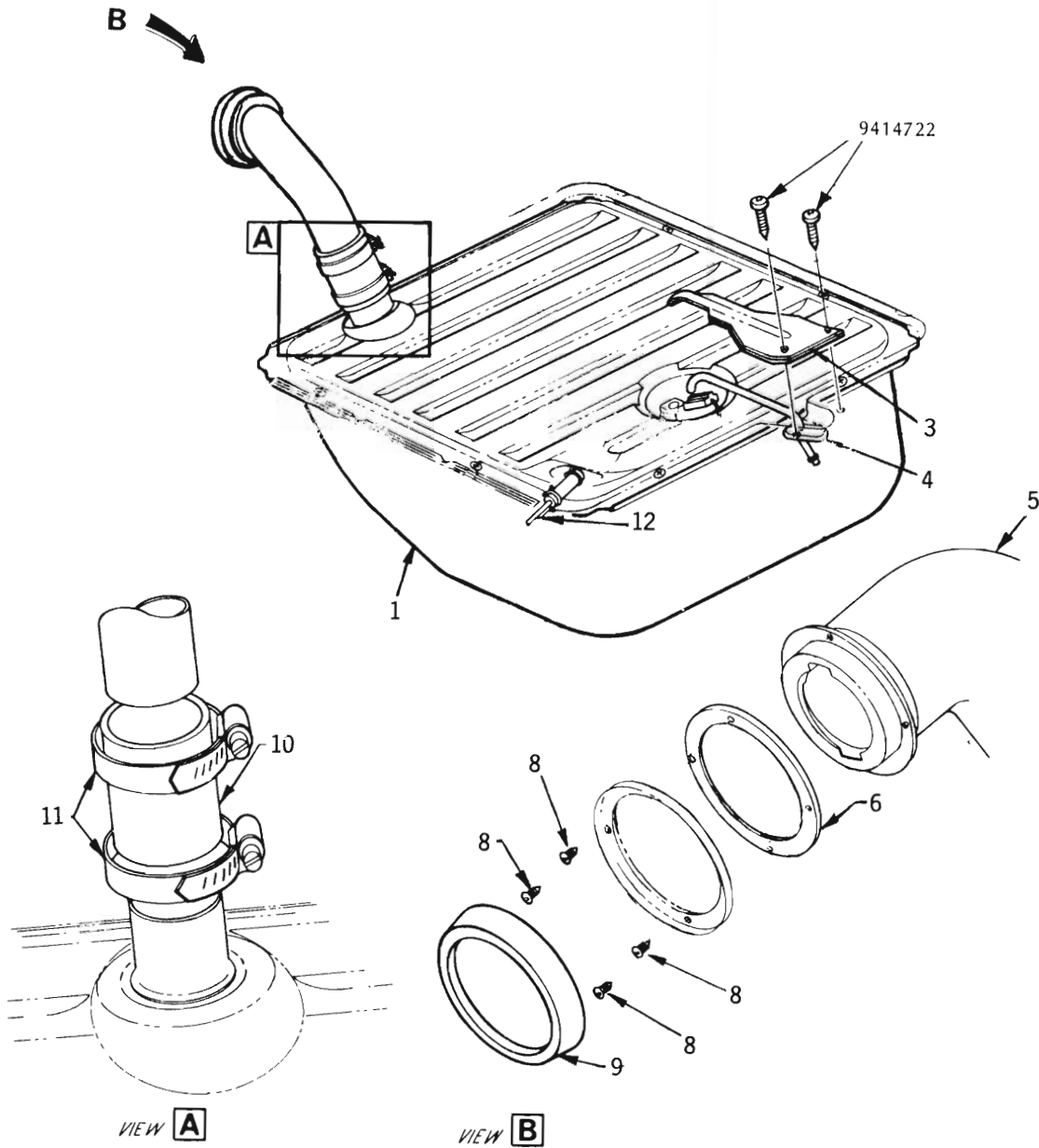
HOLDEN "LJ" PARTS CATALOGUE

GROUP	DESCRIPTION	MODEL	SIDE	PART No.	QTY.
2.824	ADAPTOR – Horn actuating bar (contd.)				
	SCREW – Adaptor to steering wheel	GTR		7424198	4
	ADAPTOR	LEFT HAND DRIVE		7433127	1
	SPRING – Adaptor to steering wheel	LEFT HAND DRIVE		2812196	3
	SCREW – Adaptor to steering wheel	LEFT HAND DRIVE		7424198	3-4
	SHIM – Adjustment	LEFT HAND DRIVE		2815062	A.R.
2.830	BAR – Horn actuating				
	BAR – Black	Exc. GTR	RIGHT HAND DRIVE	2816378BA	1
	BAR – Antique Brown	Exc. GTR	RIGHT HAND DRIVE	2816378CJ	1
	BAR – Olive Green	Exc. GTR	RIGHT HAND DRIVE	2816378CE	1
	BAR – Dark Ash	Exc. G.T.R.	RIGHT HAND DRIVE	2816378DD	1
	BAR – Chestnut	Exc. G.T.R.	RIGHT HAND DRIVE	2816378DG	1
	BAR – Black	LEFT HAND DRIVE		2812484BA	1
	BAR – Antique Brown	LEFT HAND DRIVE		2812484CJ	1
	BAR – Olive Green	LEFT HAND DRIVE		2812484CE	1
	SCREW – Bar to adaptor	LEFT HAND DRIVE		SP1948	4
2.892	FLASHER – Turn signal				
	FLASHER ASSY.	ALL		7436254	1
	CLIP – Retaining	RIGHT HAND DRIVE		SP2334	1
		LEFT HAND DRIVE		7417478	1
2.893	BULB – Turn signal indicator				
	BULB – 12 – 16 volt 2 C.P. – Wedge type		RIGHT HAND DRIVE	9421330	2
		Warning Lamps	LEFT HAND DRIVE	9421330	2
	BULB – 12 – 16 volt 2 C.P. S.C.		LEFT HAND DRIVE	9417863	2
2.895	SWITCH – Turn signal lamp				
	SWITCH ASSY.	RIGHT HAND DRIVE		2822705	1
	SPRING – Switch	RIGHT HAND DRIVE		1967685	1
	SPRING – Cancel	RIGHT HAND DRIVE	LH	1964785	1
			RH	1964784	1
	SPRING – Detent	RIGHT HAND DRIVE		1846722	1
	RING – Switch retaining	RIGHT HAND DRIVE		5699603	1
	WASHER – Switch thrust	RIGHT HAND DRIVE		7800580	1
	BODY – 11 way male connector	RIGHT HAND DRIVE		9928643	1
	CLIP – Harness to ign. switch screw	RIGHT HAND DRIVE		SP2341	1
	SWITCH ASSY.	LEFT HAND DRIVE		7433317	1
	RING ASSY. – Support	LEFT HAND DRIVE		7433242	1
	RING – Switch retaining	LEFT HAND DRIVE		5699603	1
	WASHER – Switch thrust	LEFT HAND DRIVE		7800580	A.R.
	WASHER – Switch wave	LEFT HAND DRIVE		7800581	1
	PLATE – Actuating	LEFT HAND DRIVE		5957063	1
	SCREW – Plate to base	LEFT HAND DRIVE		SP2018	1
	BODY – 8 way male connector	LEFT HAND DRIVE		7433326	1
2.896	BEARING, PLUG – Turn signal lamp switch				
	BEARING ASSY.	ALL		7800269	1
	PLUG – Horn brush lead	ALL		7449369	1
2.897	LEVER, KNOB – Turn signal lamp switch				
	LEVER	RIGHT HAND DRIVE		2814701	1
		LEFT HAND DRIVE		7433369AG	1
2.897	KNOB – Turn signal lamp switch				
	KNOB – Black	ALL		2814702BA	1
	KNOB – Antique Brown	ALL		2814702CJ	1
	KNOB – Olive Green	ALL		2814702CE	1
	KNOB – Dark Ash	ALL		2814702DD	1
	KNOB – Chestnut	ALL		2814702DG	1



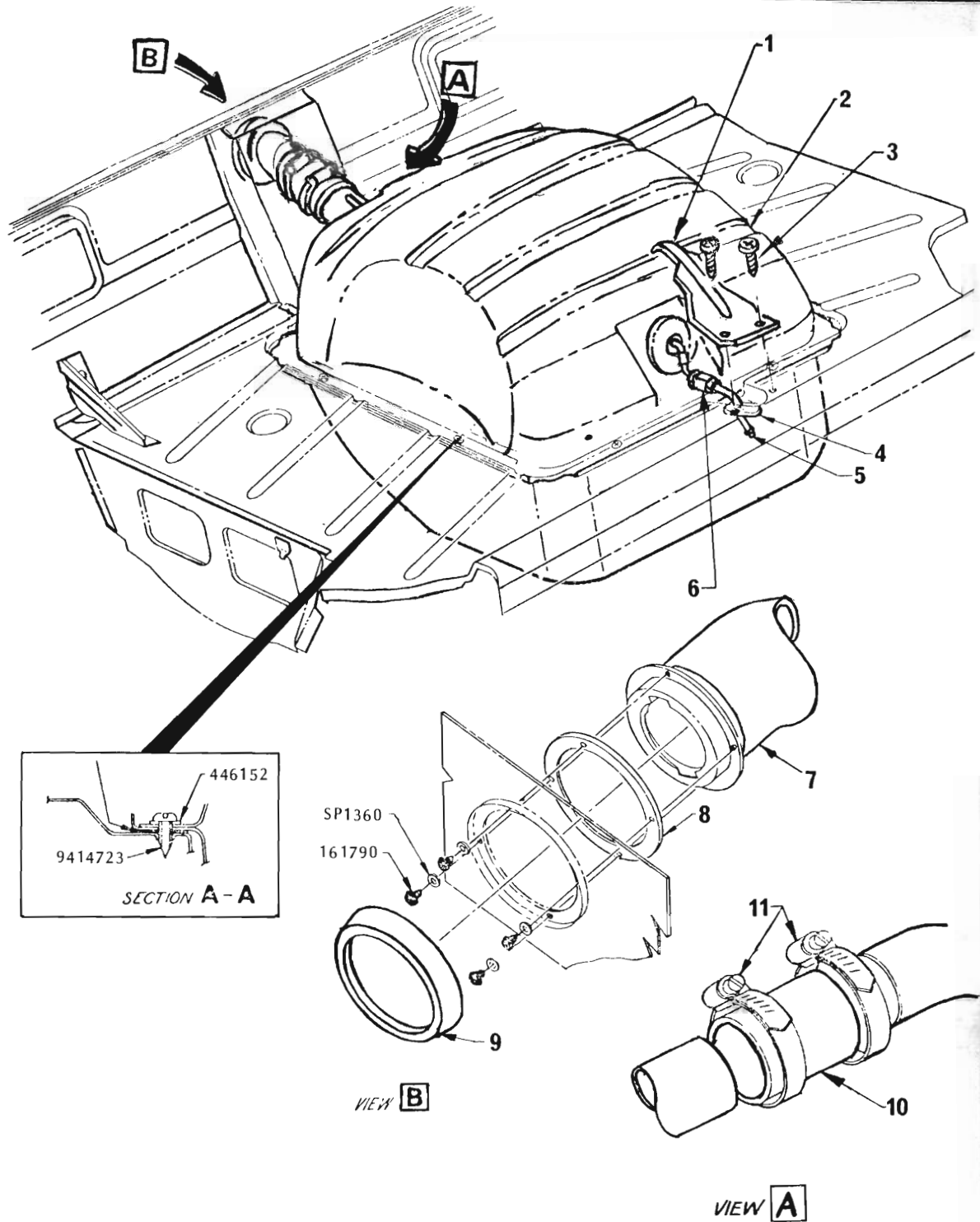
FUEL TANK VENT PIPE

ILLUS. REF. NO.	PART NAME	GROUP	ILLUS. REF. NO.	PART NAME	GROUP
1.	GUARD - Vent pipe	3.003	4.	GROMMET - Vent pipe	3.003
2.	SCREW - Pan hd. No. 10 - 16 x 1/2" cr. rec.	8.977	5.	HOSE - Vent	3.003
3.	PIPE - Fuel tank vent	3.003	6.	CLAMP - Hose, fuel tank vent pipe	3.003



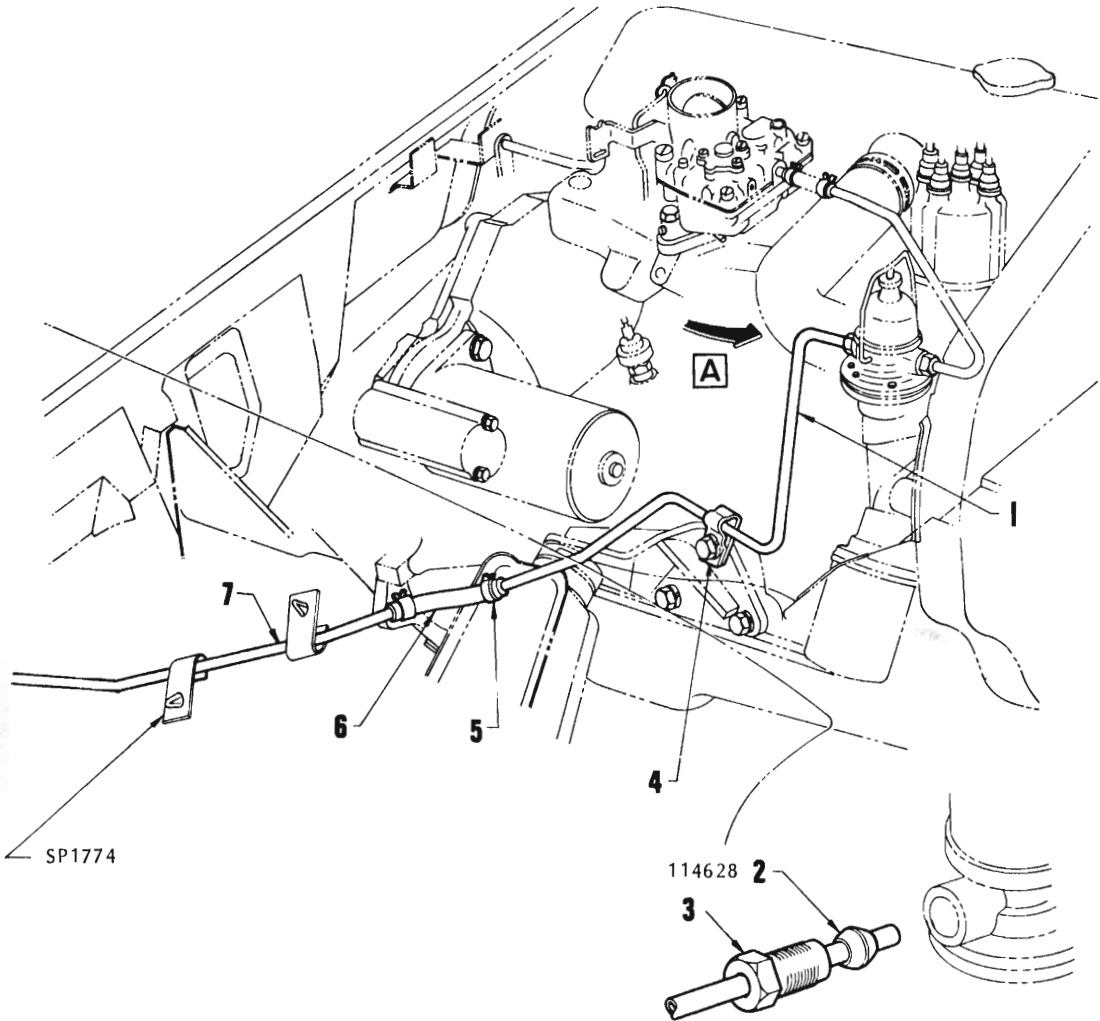
FUEL TANK and FILLER PIPE
All exc. XU1

ILLUS. REF. NO.	PART NAME	GROUP	ILLUS. REF. NO.	PART NAME	GROUP
1.	TANK ASSY. - Fuel	3.001	8.	SCREW	3.003
3.	GUARD ASSY. - Rear pipe	3.158	9.	CAP ASSY.	3.028
4.	GROMMET - Rear pipe	3.158	10.	HOSE - Filler neck	3.003
5.	PIPE ASSY. - Filler	3.003	11.	CLAMP	3.003
6.	GASKET	3.008	12.	PIPE - Fuel tank vent	3.003



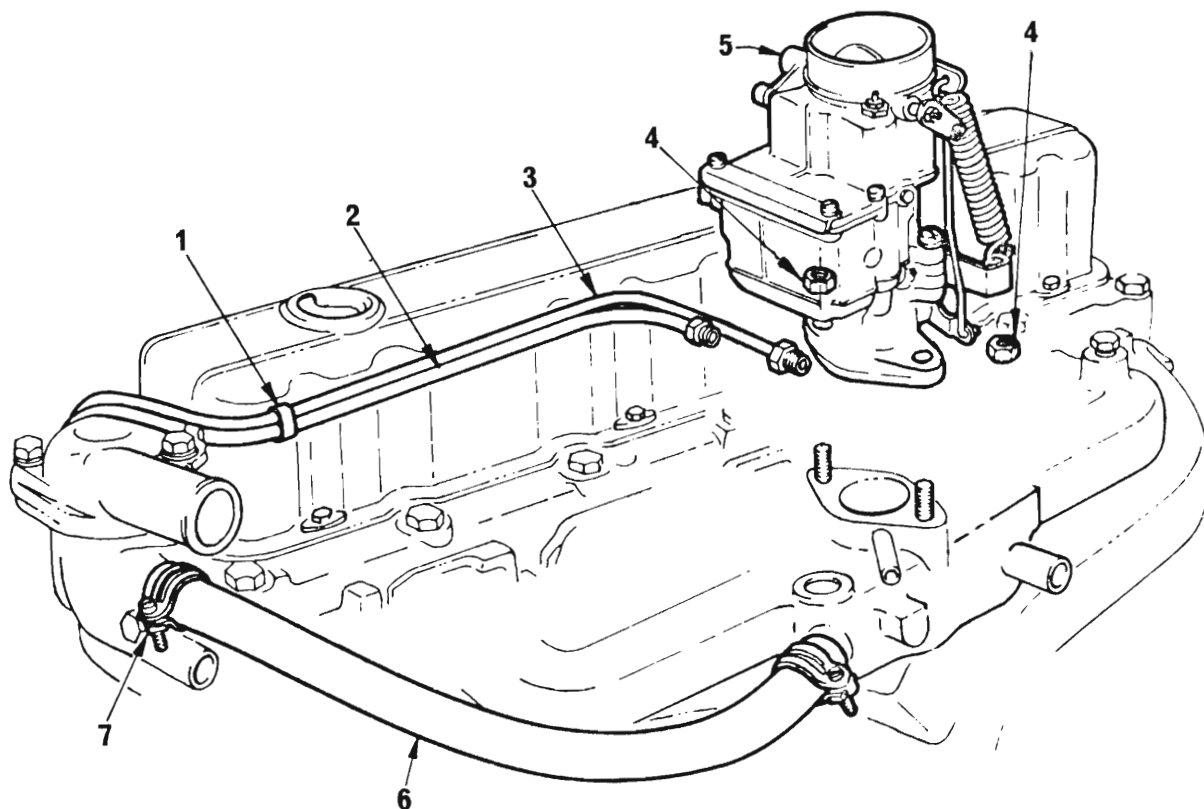
FUEL TANK and FILLER PIPE - XU1

ILLUS. REF. NO.	TRADE NAME	GROUP	ILLUS. REF. NO.	TRADE NAME	GROUP
1.	GUARD ASSEMBLY - Rear pipe	3.158	7.	PIPE ASSEMBLY - Filler	3.003
2.	TANK ASSEMBLY - Fuel	3.001	8.	GASKET	3.008
3.	SCREW	8.977	9.	CAP ASSEMBLY	3.028
4.	GROMMET - Rear pipe	3.158	10.	HOSE - Filler neck	3.003
5.	PIPE ASSEMBLY	3.003	11.	CLAMP - Filler neck hose	3.003
6.	PIPE FITTING	8.963			



FUEL PIPES – 1600, 1760 ENGINE

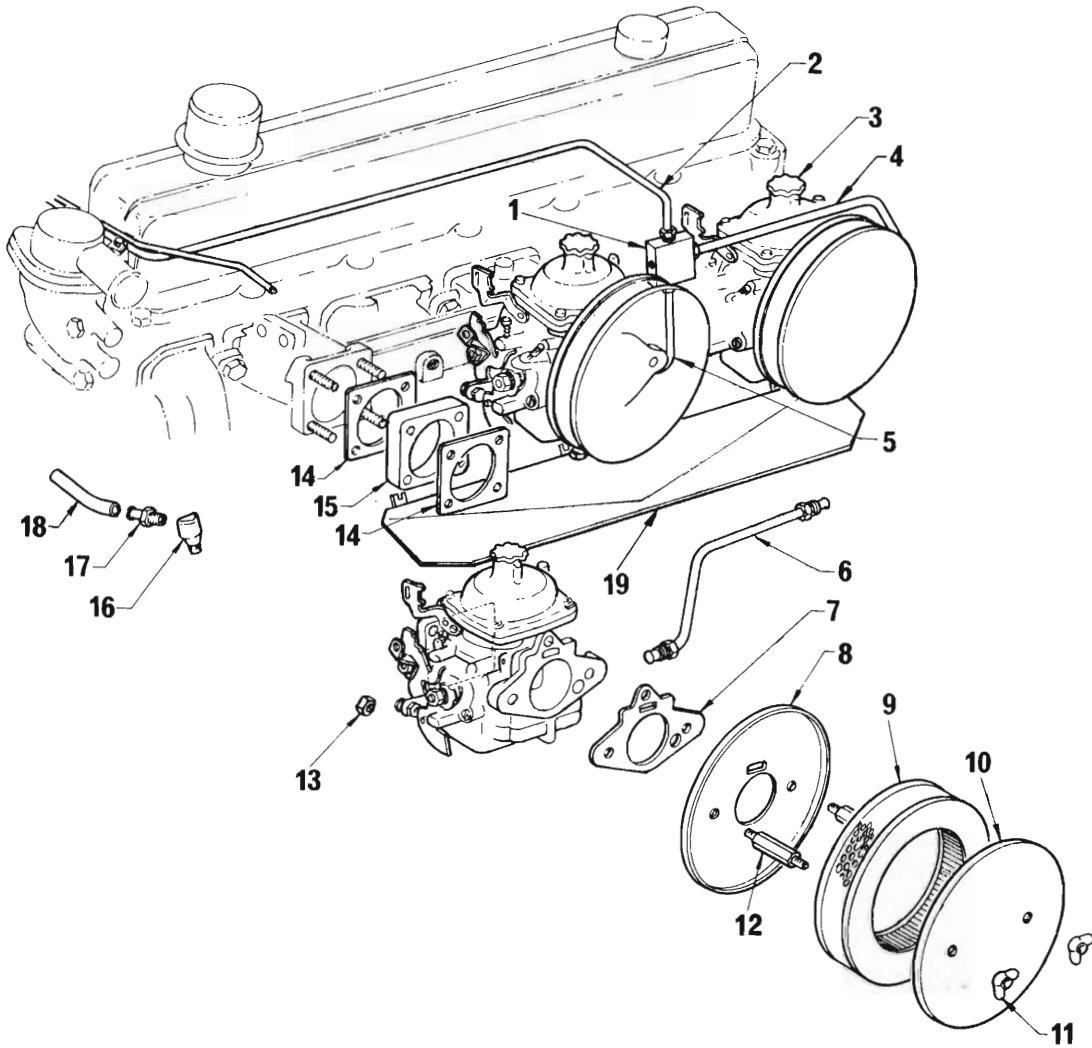
ILLUS. REF. NO.	PART NAME	GROUP	ILLUS. REF. NO.	PART NAME	GROUP
1.	PIPE – Fuel auxiliary to pump	3.158	5.	CLAMP – Hose	3.163
2.	SLEEVE – 1/4" ball	8.963	6.	HOSE – Fuel pipe to pump	3.163
3.	NUT – Fuel pipe to pump	3.202	7.	PIPE – Fuel tank to pump	3.158
4.	CLIP – Fuel pipe to front engine mounting bracket	3.202			



FUEL PIPE AND CARBURETTOR

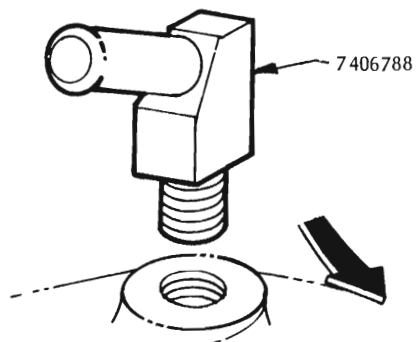
6 Cyl. exc. XU1 Eng.

ILLUS. REF. NO.	PART NAME	GROUP	ILLUS. REF. NO.	PART NAME	GROUP
1.	CLIP - Fuel pipe to spark control pipe ..	3.202	5.	CARBURETTOR ASSY.	3.725
2.	PIPE ASSY. - Carburettor fuel	3.201	6.	HOSE - Inlet manifold water inlet	3.260
3.	PIPE ASSY. - Spark control	2.424	7.	CLAMP - Hose, 1.03" dia.	3.260
4.	NUT - Hex. 3/8" - 24 light (cad or zinc)	8.915			

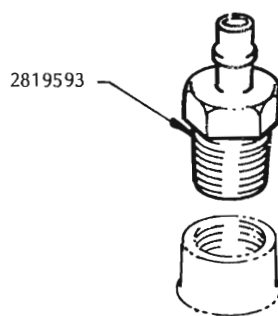


FUEL PIPES - XU1 ENGINE

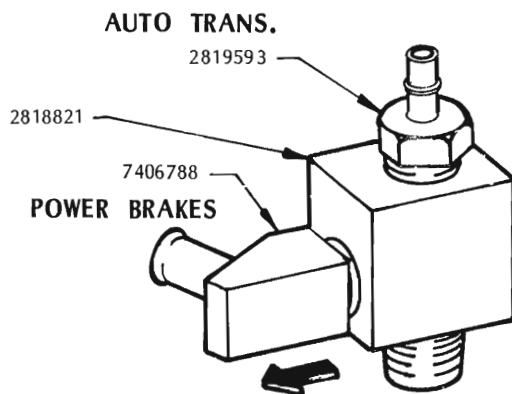
ILLUS. REF. NO.	PART NAME	GROUP	ILLUS. REF. NO.	PART NAME	GROUP
1.	BLOCK - Carburettor fuel pipe junction ..	3.201	9.	ELEMENT - Air cleaner	3.410
2.	PIPE ASSY. - Carburettor fuel	3.201	10.	COVER - Air cleaner upper	3.410
3.	CARBURETTOR ASSY.	3.725	11.	NUT - Wing, 1/4" - 20	3.410
4.	{ HOSE - Rear carburettor to pipe	3.163	12.	STUD - Air cleaner	3.410
	{ PIPE ASSY. - Junction block to rear carb.	3.201	13.	NUT - Hex. 5/16" - 24 light (cad or zinc)	8.915
5.	{ HOSE - Centre carburettor to pipe	3.163	14.	GASKET - Flange	3.726
	{ PIPE ASSY. - Junction block to cent. carb.	3.201	15.	INSULATOR - Heat	3.726
6.	{ HOSE - Front carburettor to pipe	3.163	16.	ELBOW - 1/8" - 90° (cad or zinc)	8.963
	{ PIPE ASSY. - Junction block to frt. carb.	3.201	17.	ADAPTOR - Spark control pipe	2.424
7.	GASKET - Air cleaner to carburettor	3.403	18.	HOSE - Pipe to carburettor	2.424
8.	BASE - Air cleaner	3.410	19.	SHIELD ASSY - Heat	3.725



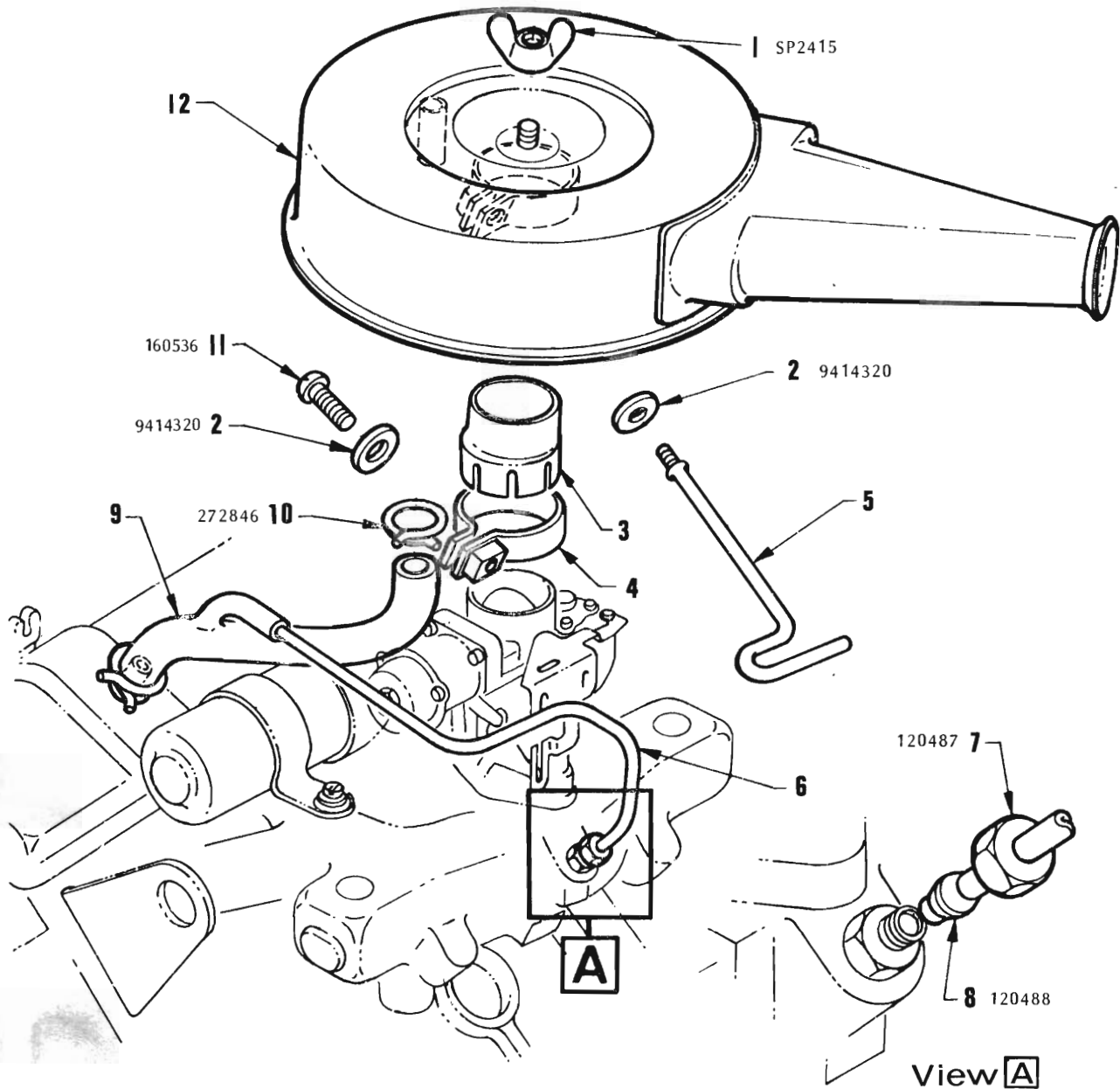
POWER BRAKES ONLY



AUTO TRANS. ONLY



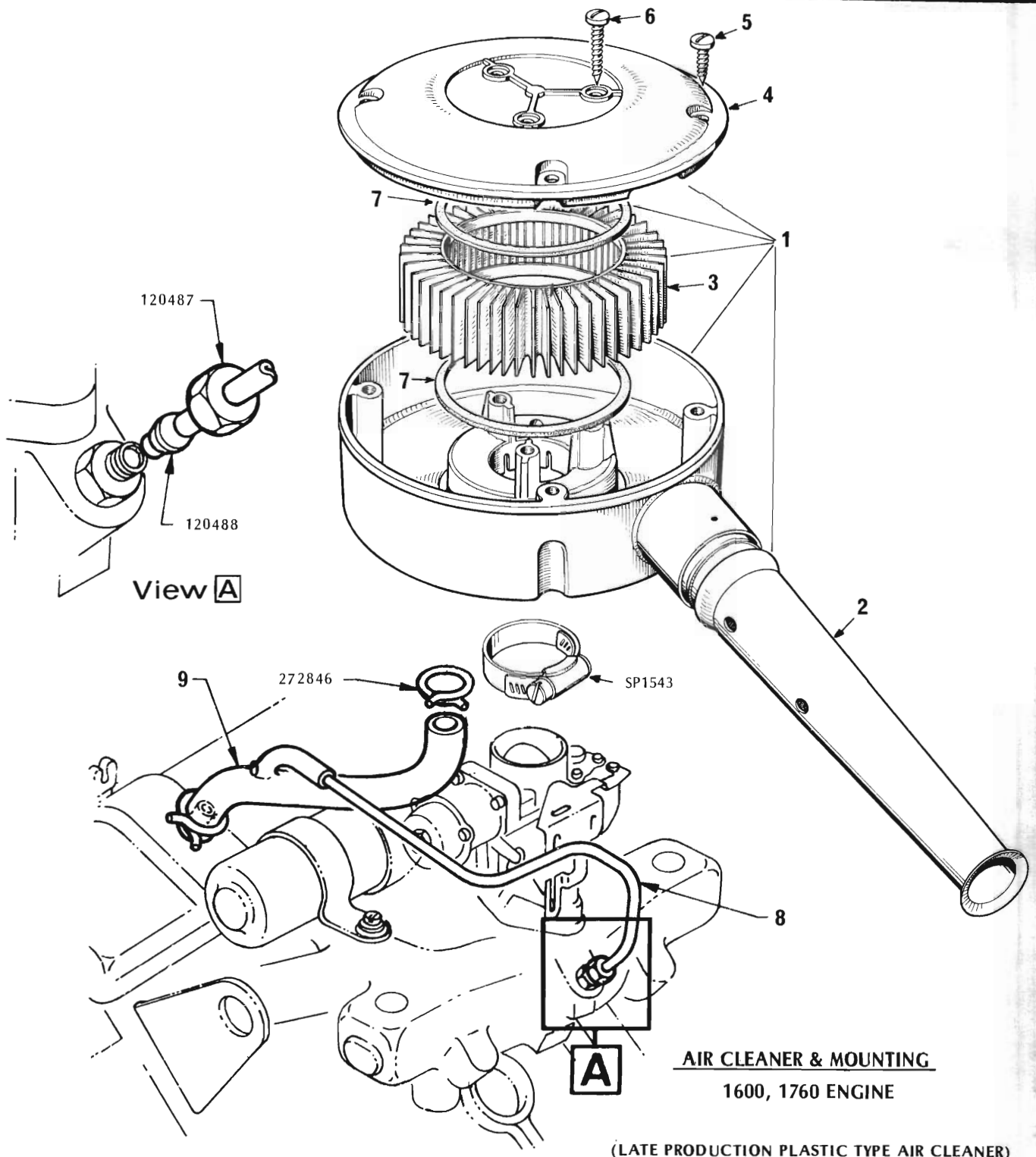
VACUUM ADAPTORS REFER GROUP 3.265



AIR CLEANER & MOUNTING – 1600, 1760 ENGINE

(EARLY PRODUCTION METAL TYPE AIR CLEANER)

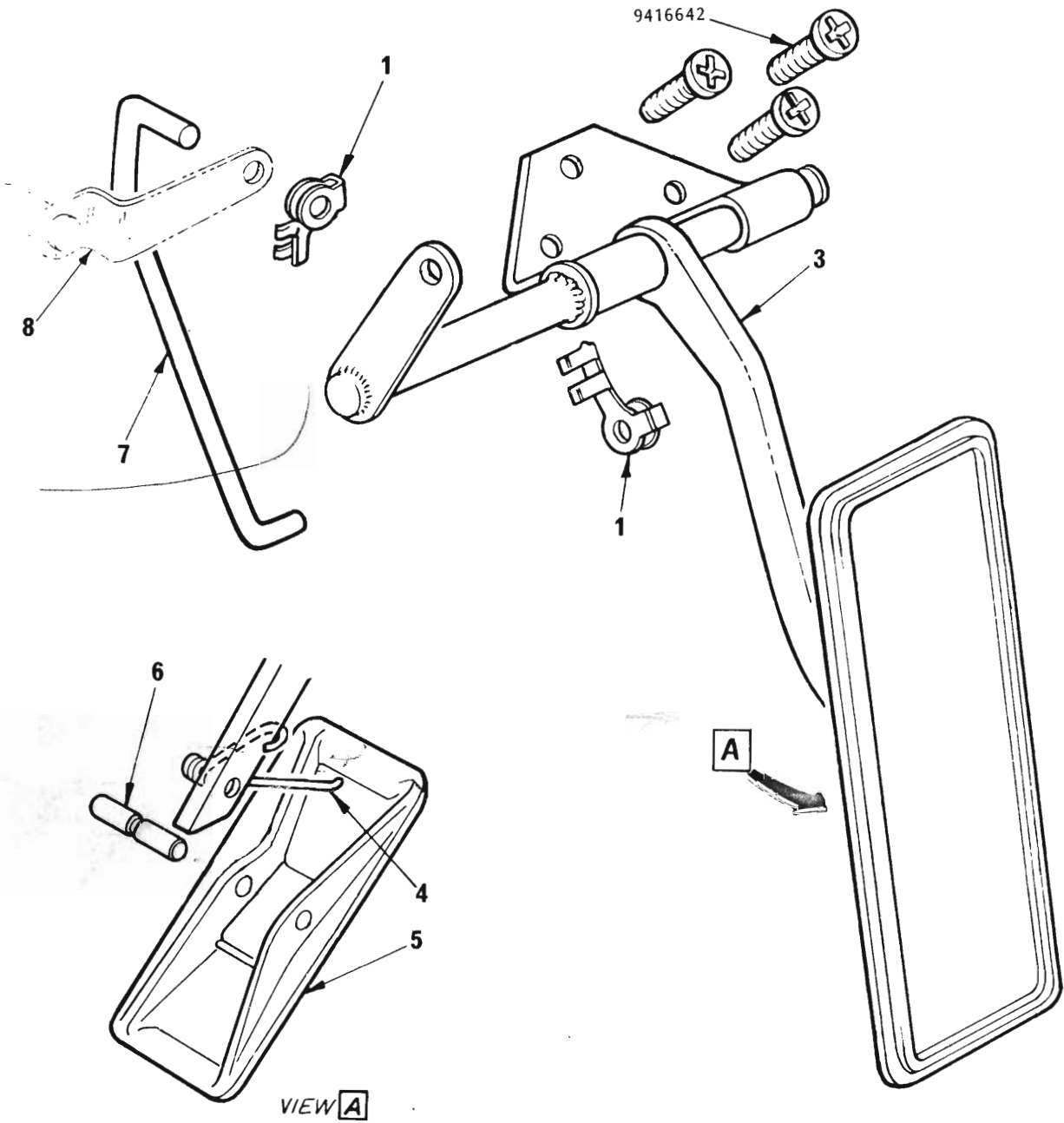
ILLUS. REF. NO.	PART NAME	GROUP	ILLUS. REF. NO.	PART NAME	GROUP
1.	NUT – Wing 1/4" – 20	3.410	7.	NUT – Pipe to connector	1.762
2.	WASHER – 1/4" x 1/2" x .063" (narrow) (plain)	8.929	8.	SLEEVE – 3/16" ball	8.963
3.	ADAPTOR – Air cleaner to carburettor	3.403	9.	HOSE – Camshaft cover to air cleaner	1.762
4.	CLAMP – Adaptor to carburettor	3.403	10.	CLAMP – Hose	1.762
5.	ROD – Air cleaner	3.403	11.	BOLT – 1/4" – 20 x 7/8"	8.910
6.	PIPE – Hose to inlet manifold	1.762	12.	AIR CLEANER & SILENCER ASSY.	3.402



AIR CLEANER & MOUNTING
1600, 1760 ENGINE

(LATE PRODUCTION PLASTIC TYPE AIR CLEANER)

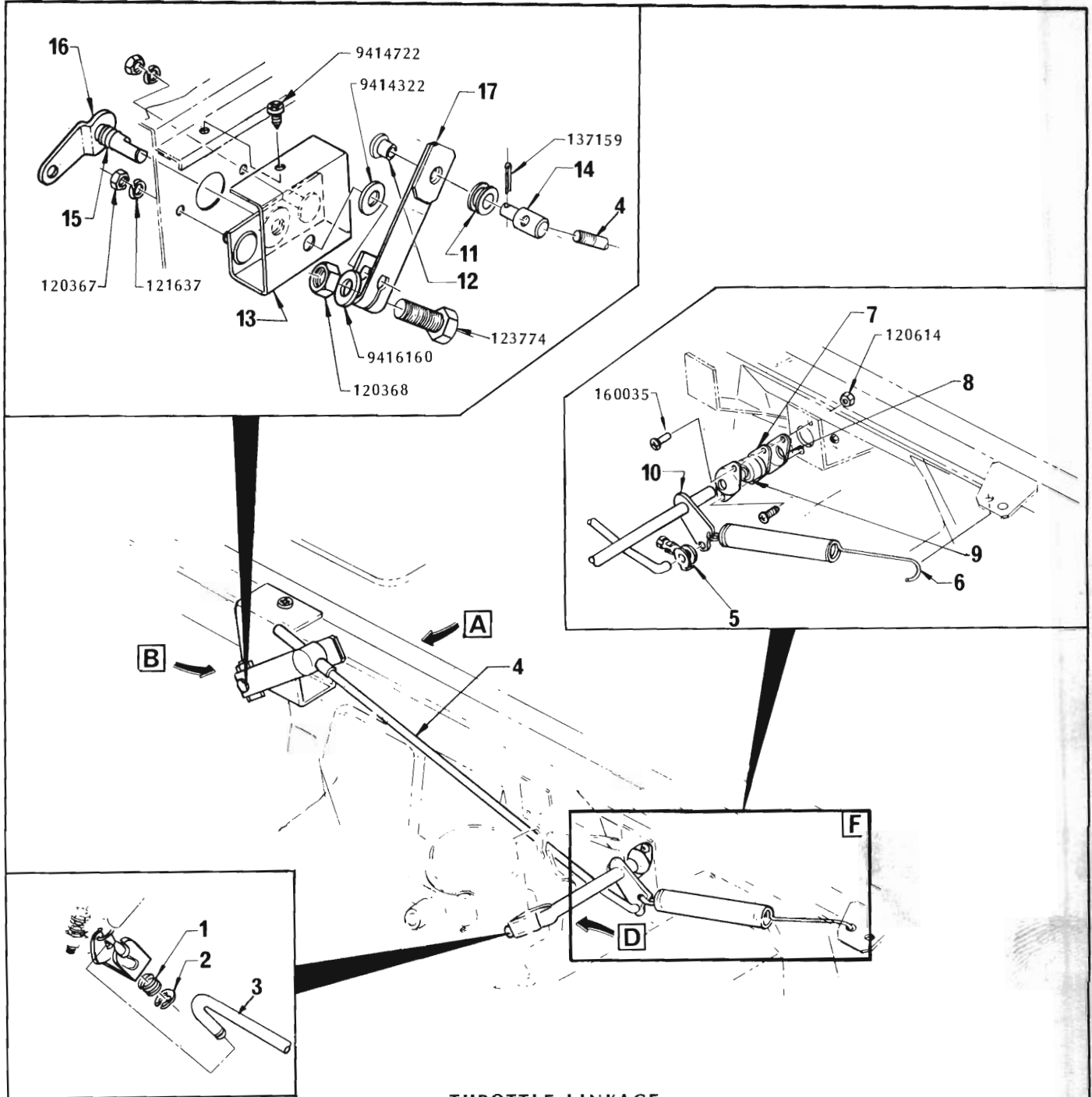
ILLUS. REF. NO.	PART NAME	GROUP	ILLUS. REF. NO.	PART NAME	GROUP
1.	AIR CLEANER & SILENCER ASSY.	3.402	6.	SCREW - Cover, perimeter	3.410
2.	TUBE - Air	N.S.S.	7.	GASKET - Element seating	3.410
3.	ELEMENT	3.410	8.	PIPE - Hose to inlet manifold	1.762
4.	COVER	N.S.S.	9.	HOSE - Camshaft cover to air cleaner	1.762
5.	SCREW - Cover, centre	3.410			



THROTTLE LINKAGE

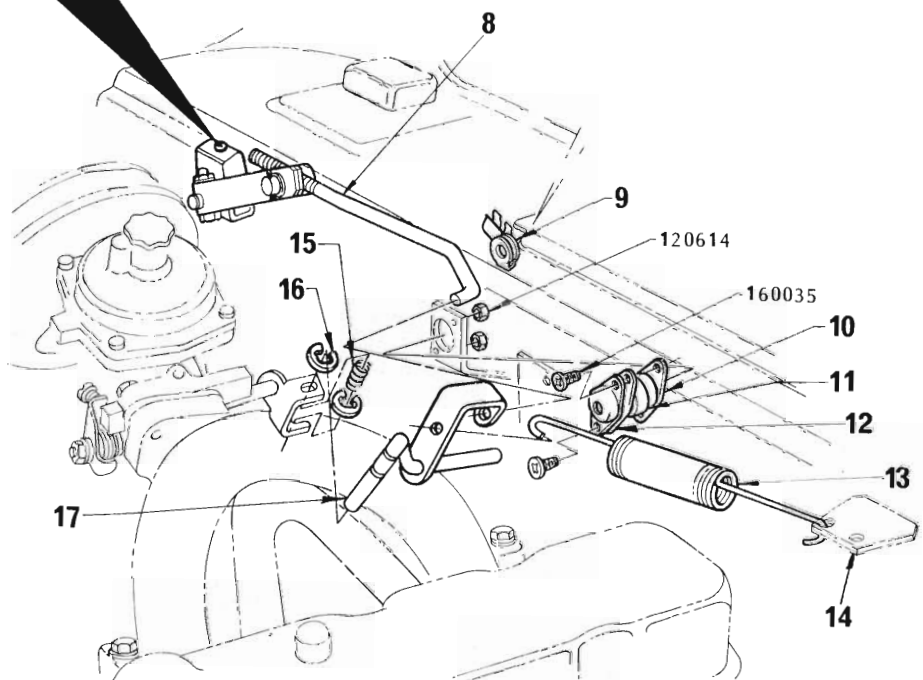
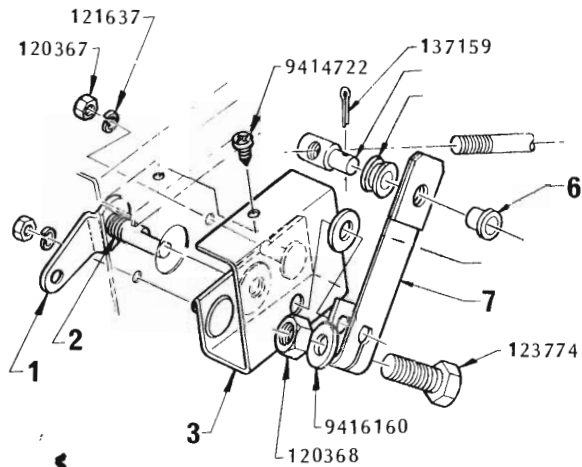
ILLUS. REF. NO.	PART NAME	GROUP	ILLUS. REF. NO.	PART NAME	GROUP
1.	CLIP - Control rod	3.430	6.	PIN - Pedal to lever	3.451
3.	SHAFT & BRACKET ASSY. - Lower cross ..	3.430	7.	ROD - Accelerator control push	3.430
4.	SPRING - Pedal tension	3.459	8.	SHAFT & LEVER ASSY. - Relay	3.430
5.	PEDAL - Accelerator	3.451			

HOLDEN "LJ" PARTS CATALOGUE



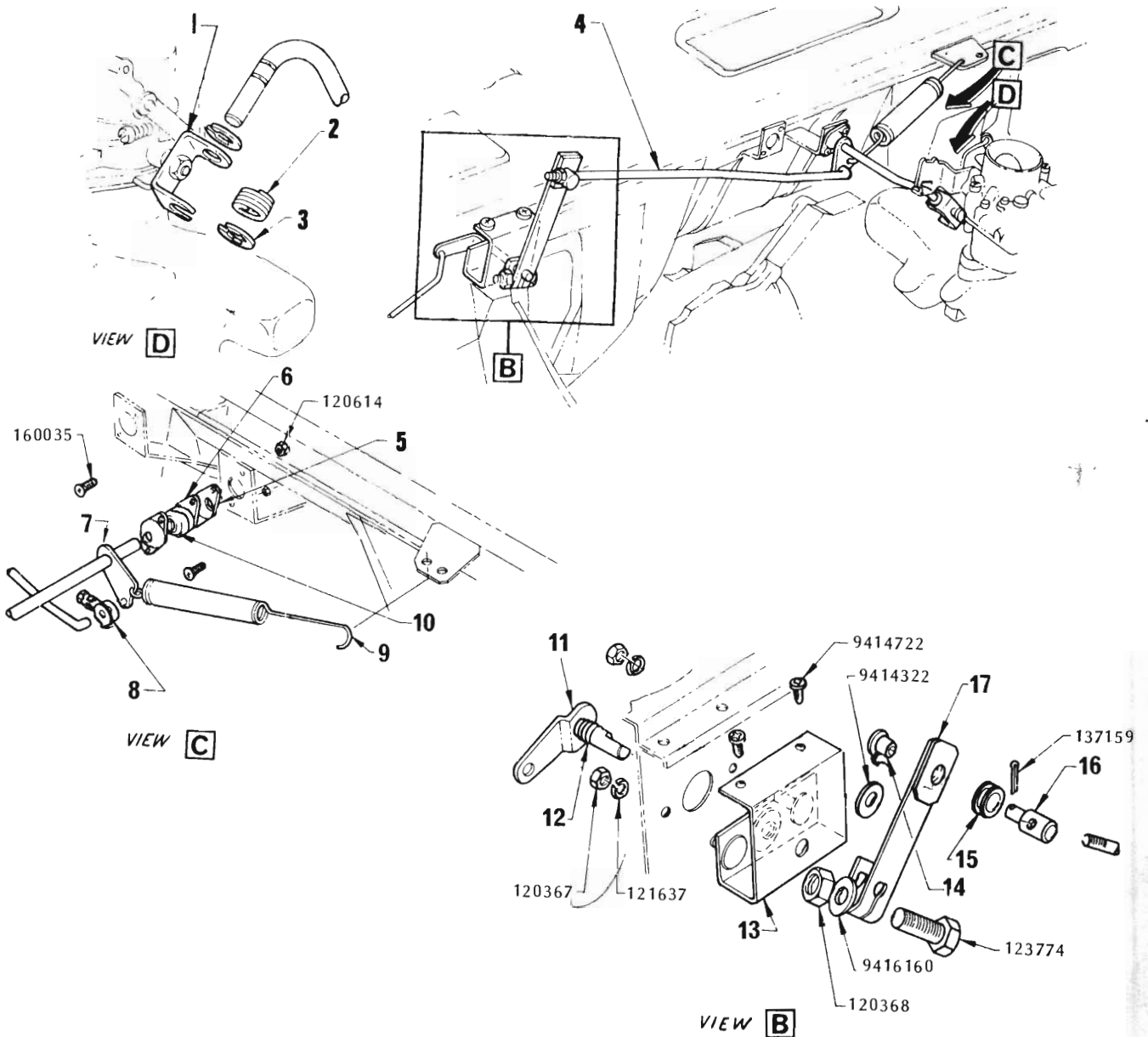
THROTTLE LINKAGE 1160, 1300 Engine

ILLUS. REF. NO.	PART NAME	GROUP	ILLUS. REF. NO.	PART NAME	GROUP
1.	SPRING - Torsion rod anti-rattle	3.430	10.	ROD & LEVER ASSY. - Torsion	3.430
2.	CLIP - Torsion rod to carburettor	3.430	11.	BUSHING - Pull rod	3.430
3.	ROD & LEVER ASSY. - Torsion	3.430	12.	SLEEVE - Pull rod	3.430
4.	ROD ASSY. - Control pull	3.430	13.	BRACKET - Relay shaft support	3.430
5.	CLIP - Pull rod	3.430	14.	TRUNNION - Pull rod	3.430
6.	SPRING - Accelerator return	3.459	15.	SPRING - Anti-rattle	3.430
7.	SPACER - Torsion rod bearing retainer ..	3.430	16.	SHAFT & LEVER ASSY. - Relay	3.430
8.	RETAINER - Torsion rod bearing	3.430	17.	LEVER ASSY. - Relay extension	3.430
9.	SLEEVE - Torsion rod bearing	3.430			



THROTTLE LINKAGE
70 Engine

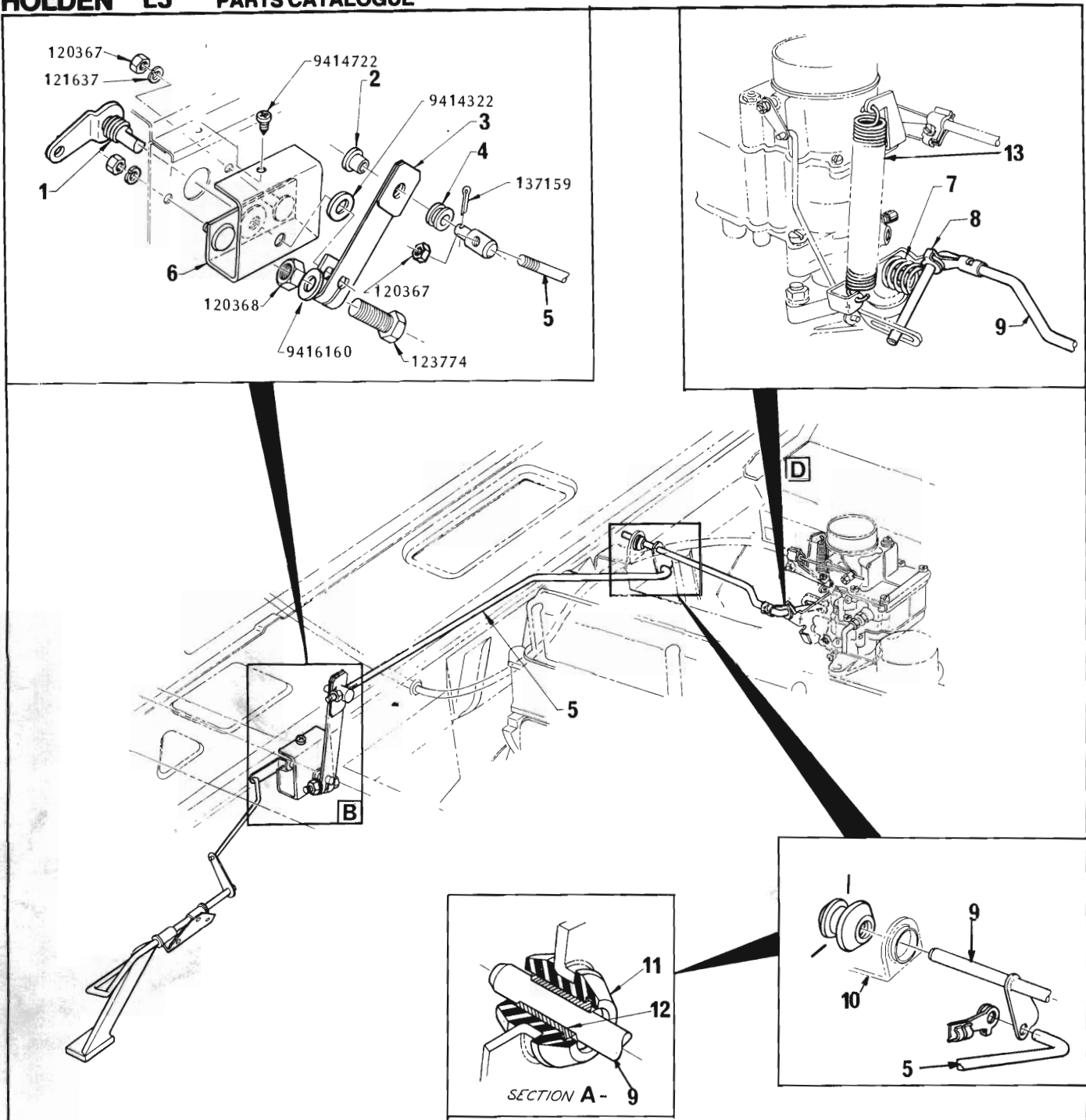
ILLUS. REF. NO.	PART NAME	GROUP	ILLUS. REF. NO.	PART NAME	GROUP
1.	SHAFT & LEVER ASSY. - Relay	3.430	10.	RETAINER - Torsion rod bearing	3.430
2.	SPRING - Anti-rattle	3.430	11.	SLEEVE - Torsion rod bearing	3.430
3.	BRACKET - Relay shaft report	3.430	12.	SPACER - Torsion rod bearing ret.	3.430
4.	TRUNNION - Pull rod	3.430	13.	SPRING - Accelerator return	3.459
5.	BUSHING - Pull rod	3.430	14.	BRACKET - Accelerator spring	3.459
6.	SLEEVE - Pull rod	3.430	15.	SPRING - Torsion rod anti-rattle	3.430
7.	LEVER ASSY. - Relay extension	3.430	16.	CLIP - Torsion rod to carburettor	3.430
8.	ROD ASSY. - Control pull	3.430	17.	ROD & LEVER ASSY. - Torsion	3.430
9.	CLIP - Pull rod	3.430			



THROTTLE LINKAGE – 1600, 1760 ENGINE

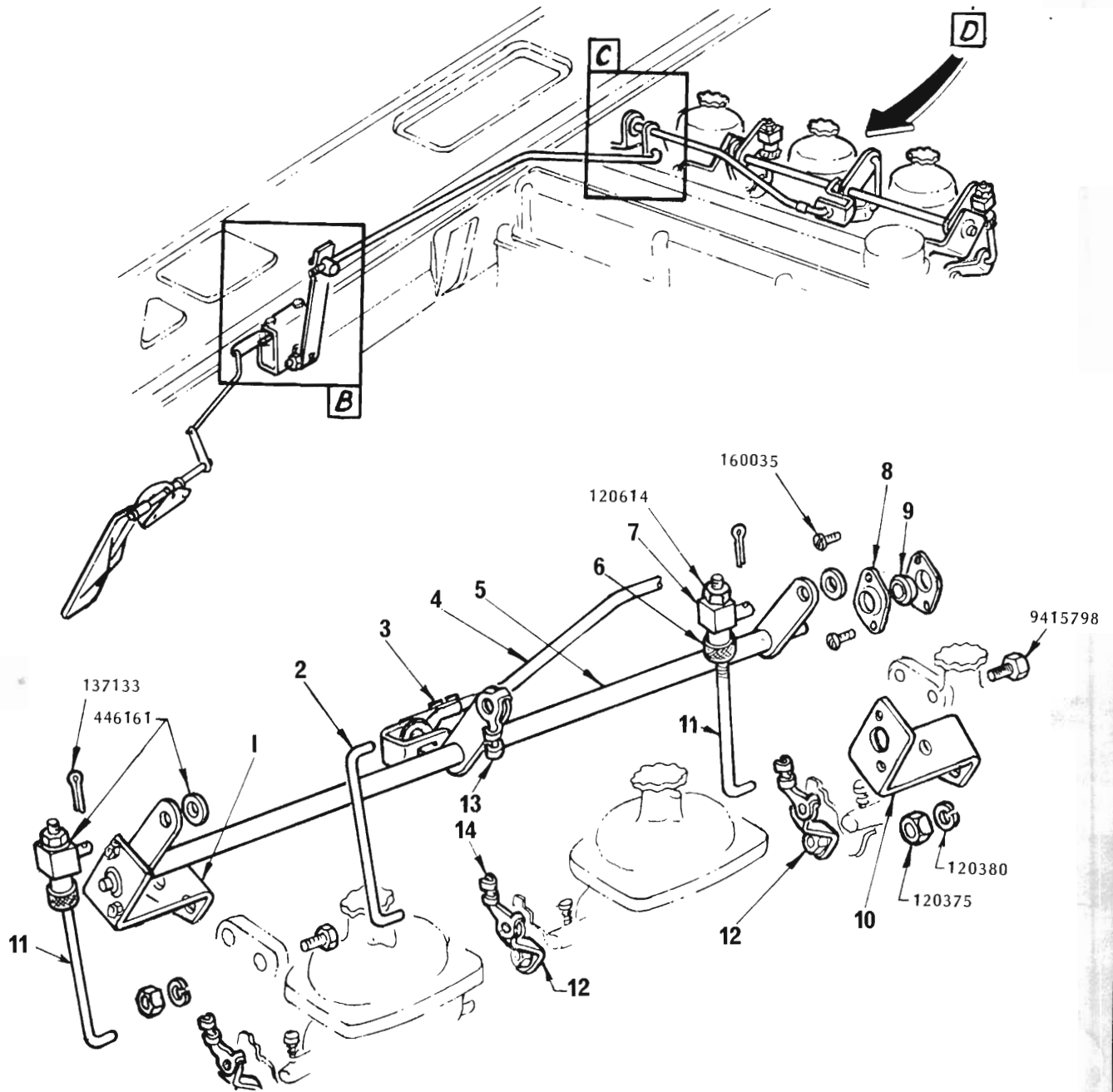
ILLUS. REF. NO.	PART NAME	GROUP	ILLUS. REF. NO.	PART NAME	GROUP
1.	LEVER – Throttle	3.731	10.	SLEEVE – Torsion rod bearing	3.430
2.	SPRING – Torsion rod to carb.anti-rattle ..	3.430	11.	SHAFT & LEVER ASSY. – Relay	3.430
3.	CLIP – Torsion rod to carburettor	3.430	12.	SPRING – Relay shaft anti-rattle	3.430
4.	ROD – Accelerator control pull	3.403	13.	BRACKET – Relay shaft support	3.430
5.	RETAINER – Torsion rod bearing	3.430	14.	SLEEVE – Pull rod to relay lever ext. ...	3.430
6.	SPACER – Torsion rod bearing retainer	3.430	15.	BUSHING – Pull rod to relay lever ext. ...	3.430
7.	ROD – Throttle torsion	3.430	16.	TRUNNION – Pull rod to relay lever ext. ...	3.430
8.	CLIP – Pull rod to torsion rod	3.430	17.	LEVER ASSY. – Relay extension	3.430
9.	SPRING – Return	3.459			

HOLDEN "LJ" PARTS CATALOGUE



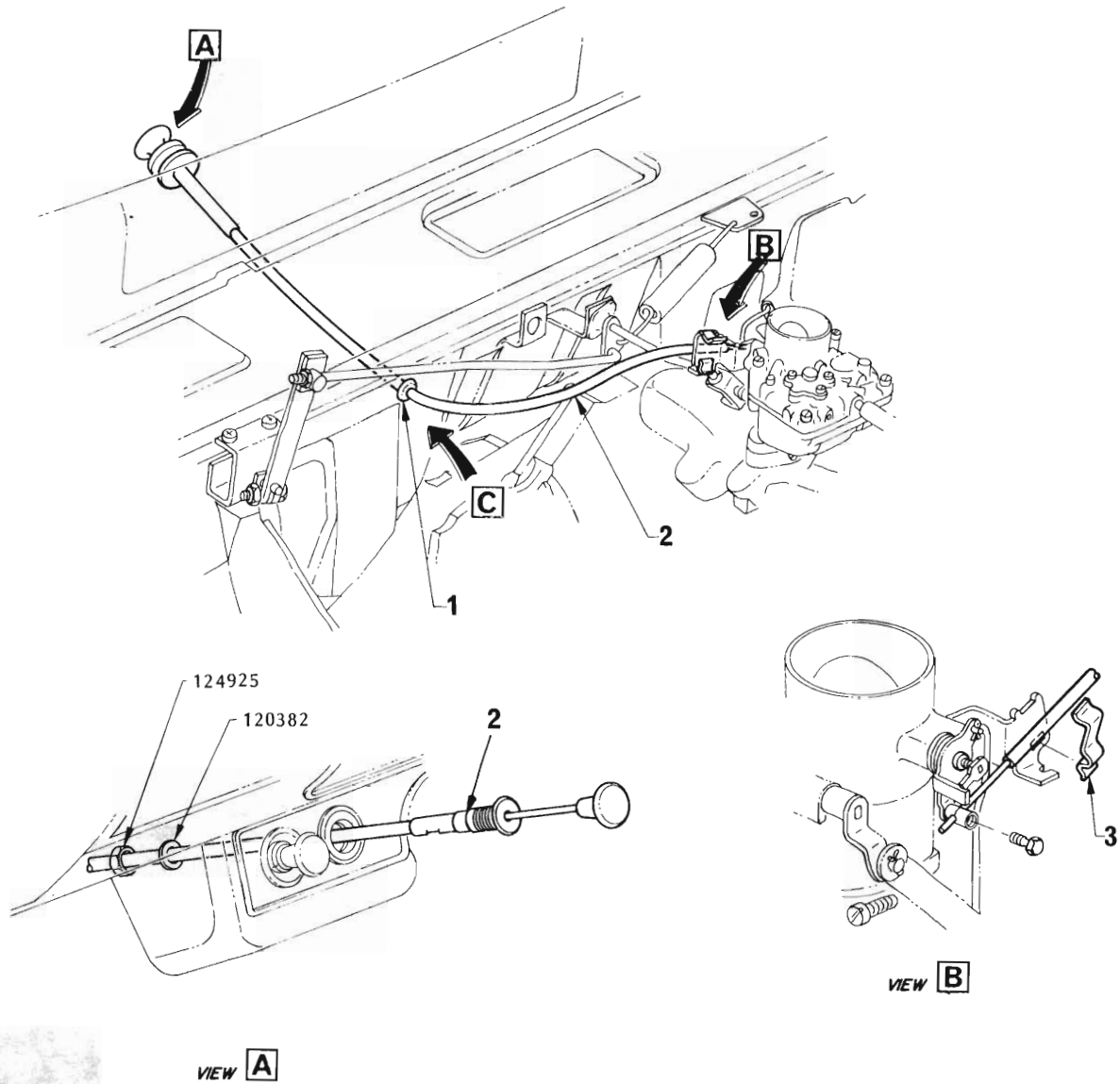
THROTTLE LINKAGE 6 Cyl. exc. XU1 Engine

ILLUS. REF. NO.	PART NAME	GROUP	ILLUS. REF. NO.	PART NAME	GROUP
1.	SPRING - Anti-rattle	3.430	8.	CLIP - Torsion rod	3.430
2.	SLEEVE - Pull rod	3.430	9.	ROD ASSY. - Torsion	3.430
3.	LEVER ASSY. - Relay extension	3.430	10.	BRACKET - Torsion rod brg. support	3.430
4.	BUSHING - Pull rod	3.430	11.	SUPPORT - Torsion rod bearing	3.430
5.	ROD ASSY. - Control pull	3.430	12.	BEARING - Torsion rod	3.430
6.	BRACKET - Relay shaft support	3.430	13.	SPRING - Throttle lever return	3.731
7.	SPRING - Torsion rod	3.430			



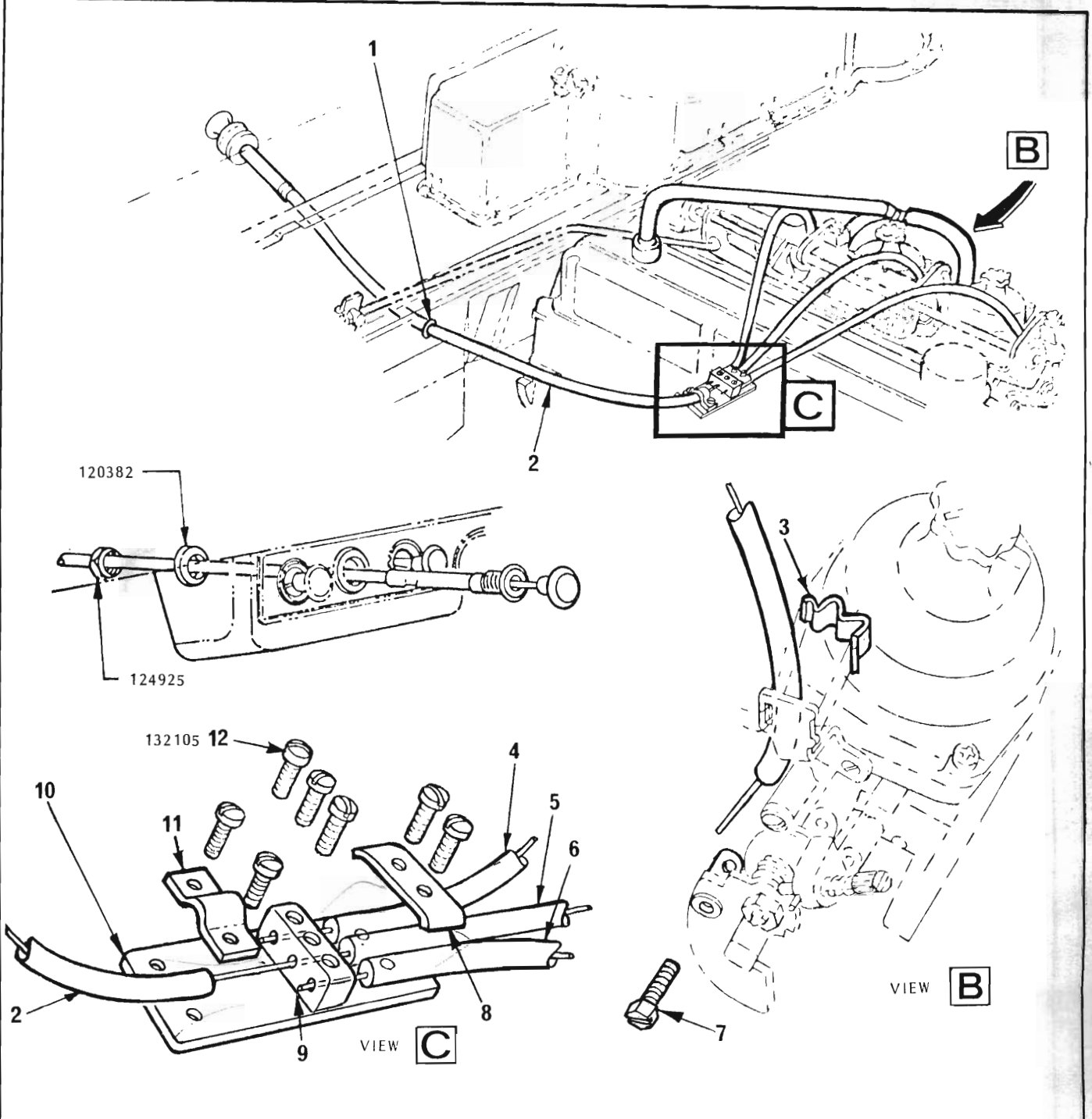
THROTTLE CONTROL – XU1 ENGINE

ILLUS. REF. NO.	PART NAME	GROUP	ILLUS. REF. NO.	PART NAME	GROUP
1.	BRACKET – Relay shaft support, front	3.430	8.	RETAINER – Relay shaft bearing	3.430
2.	ROD – Carburettor push	3.430	9.	SLEEVE – Relay shaft bearing	3.430
3.	CLIP – Torsion rod to relay shaft	3.430	10.	BRACKET – Relay shaft support, rear	3.430
4.	ROD ASSY. – Torsion	3.430	11.	ROD – Carburettor adjusting	3.430
5.	SHAFT ASSY. – Relay	3.430	12.	CLIP – Push rod to relay shaft	3.430
6.	NUT – Adjusting rod	3.430	13.	CLIP – Push rod to carburettor lever	3.430
7.	TRUNNION – Adjusting rod	3.430	14.	LEVER – Carburettor throttle	3.731



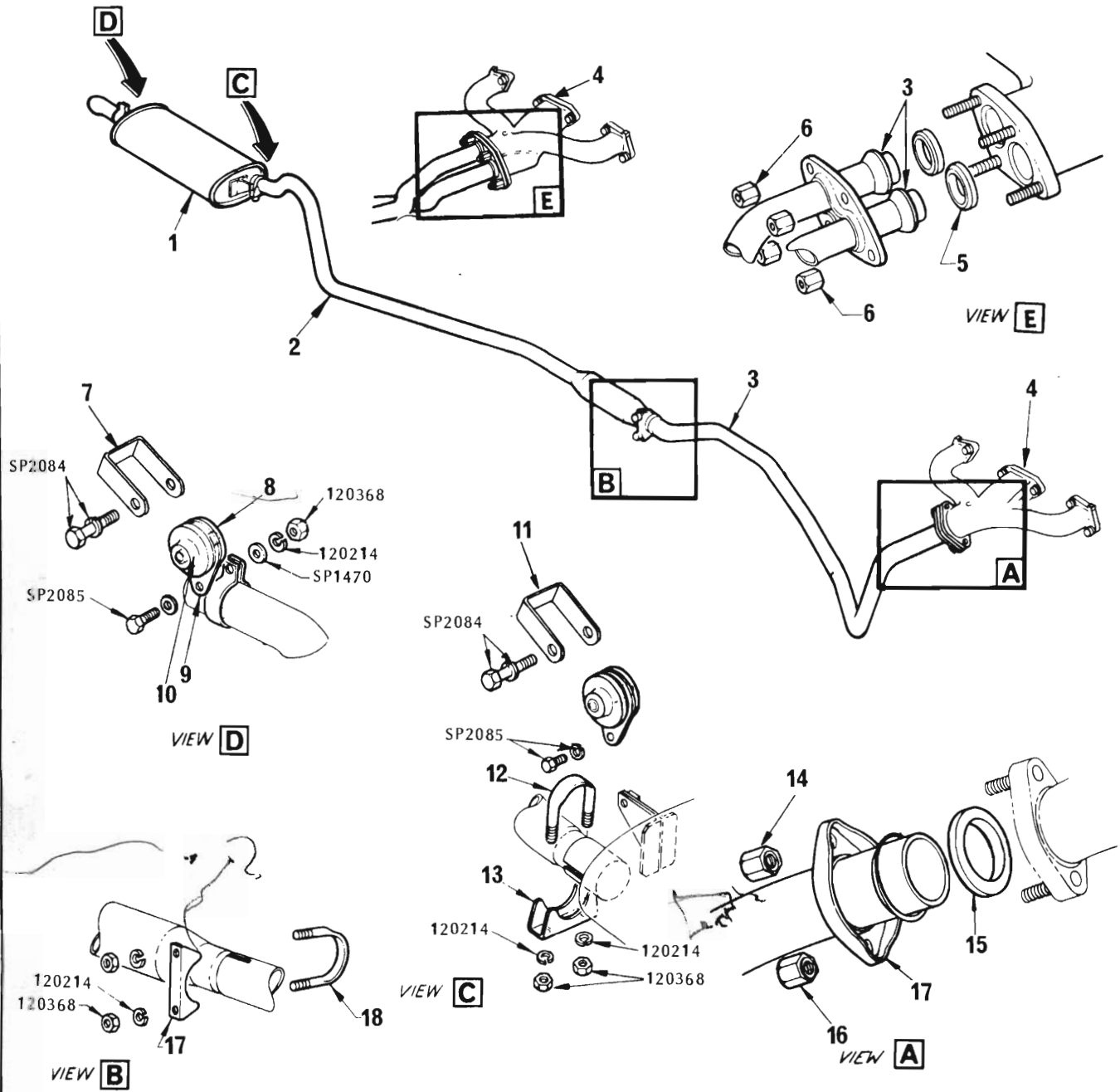
CHOKE CONTROL – 1600, 1760 ENGINE

ILLUS. REF. NO.	PART NAME	GROUP
1.	GROMMET – Choke control to dash panel	3.521
2.	CONTROL ASSY. – Choke	3.521
3.	CLIP – Choke cable	3.795



CHOKE CONTROL
XU1 Engine

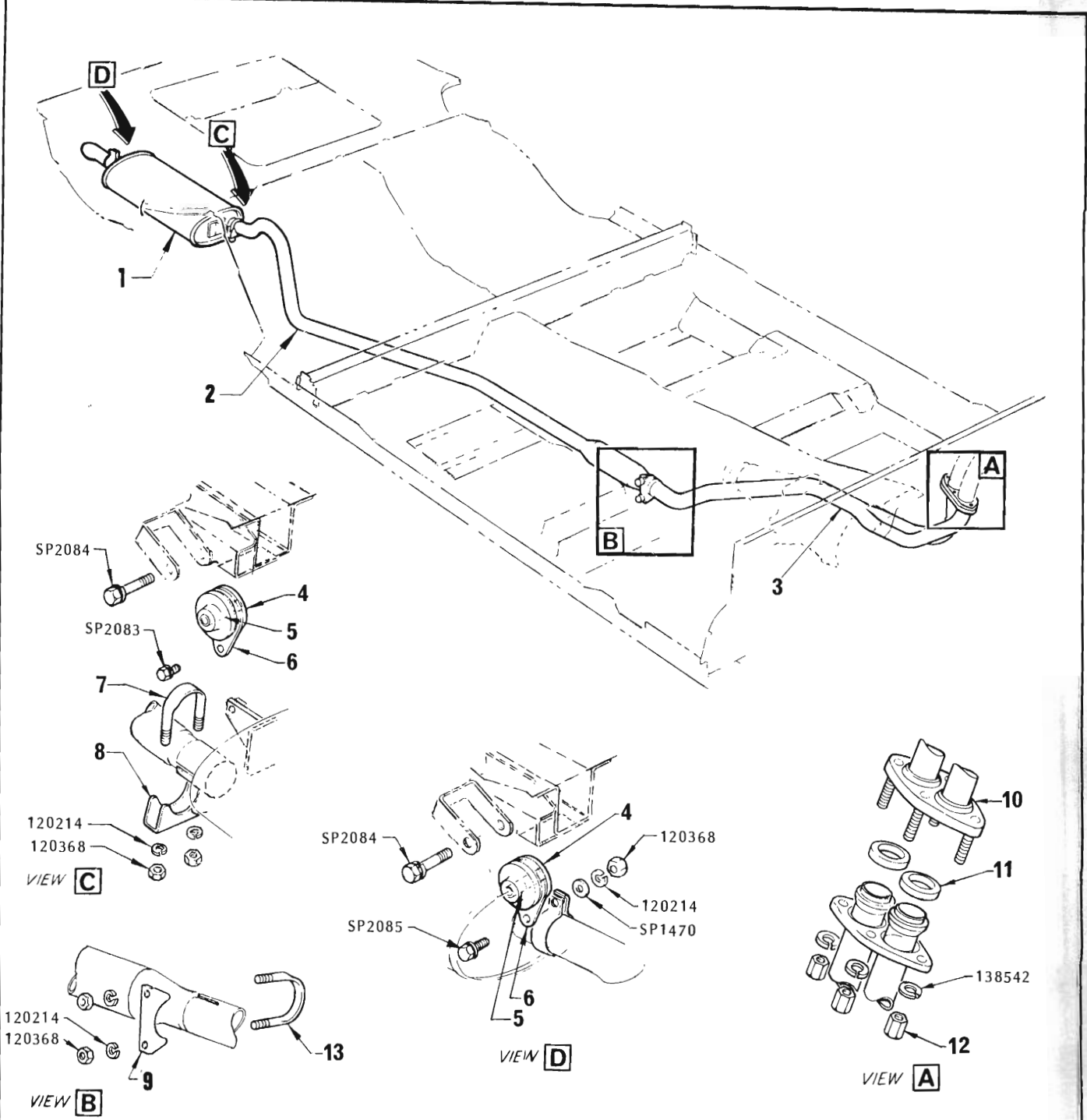
ILLUS. REF. NO.	PART NAME	GROUP	ILLUS. REF. NO.	PART NAME	GROUP
1.	GROMMET - Choke control to dash panel	3.521	7.	SCREW - Cable locking	3.791
2.	CONTROL ASSY.	3.521	8.	CLAMP - Choke cable front	3.521
3.	CLIP - Choke cable	3.795	9.	CONNECTOR - Choke cable	3.521
4.	CABLE ASSY. - Rear	3.521	10.	PLATE - Choke cable junction	3.521
5.	CONDUIT - Choke cable centre	3.521	11.	CLAMP - Choke cable rear	3.521
6.	CABLE ASSY. - Front	3.521	12.	BOLT - Fil. hd. No.10 - 32 x 3/8" slotted	8.907



EXHAUST SYSTEM – 1160, 1300, 70 ENGINE

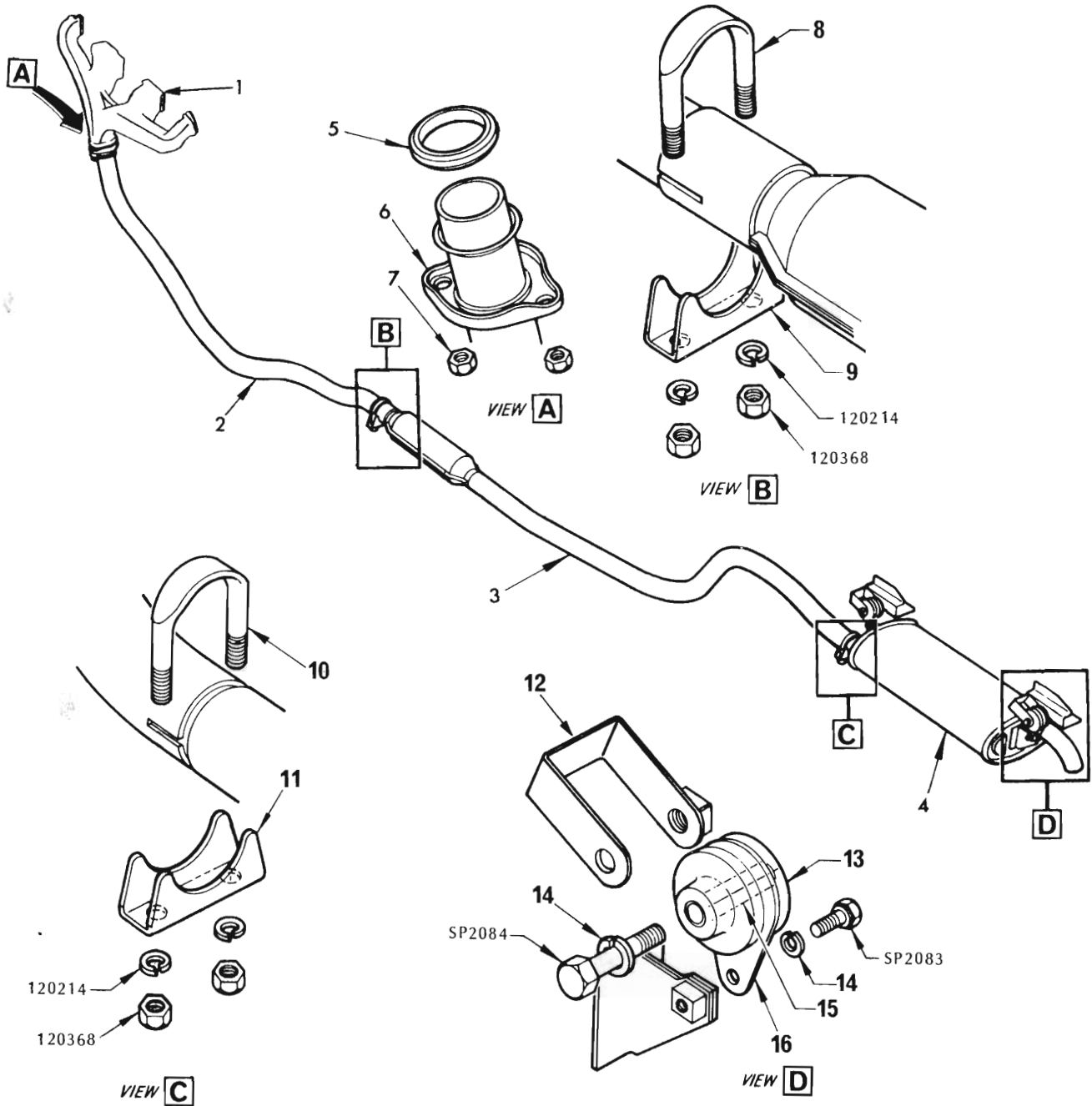
ILLUS. REF. NO.	PART NAME	GROUP	ILLUS. REF. NO.	PART NAME	GROUP
1.	MUFFLER ASSY.	3.701	11.	BRACKET – Muffler	3.704
2.	PIPE & RESONATOR ASSY.	3.609	12.	“U” BOLT – Pipe & resonator assy. to	
3.	PIPE ASSEMBLY – Exhaust	3.609	13.	muffler	3.616
4.	MANIFOLD ASSY.	3.601	13.	CLAMP – Pipe & resonator assy. to	
5.	PACKING – Pipe to manifold	3.611	13.	muffler	3.616
6.	NUT – Exhaust pipe	3.275	14.	NUT – Exhaust pipe	3.275
7.	BRACKET – Muffler	3.704	15.	PACKING – Pipe to manifold	3.611
8.	INSULATOR – Muffler	3.704	16.	FLANGE – Exhaust pipe	3.610
9.	SUPPORT – Muffler	3.704	17.	CLAMP – Exhaust pipe to res.	3.616
10.	SPACER – Muffler	3.704	18.	“U” BOLT – Exhaust pipe to res.	3.616

HOLDEN "LJ" PARTS CATALOGUE



EXHAUST SYSTEM – 1600, 1760 ENGINE

ILLUS. REF. NO.	PART NAME	GROUP	ILLUS. REF. NO.	PART NAME	GROUP
1.	MUFFLER ASSY.....	3.701	8.	CLAMP – Pipe & resonator assy. to muffler assy.	3.616
2.	PIPE & RESONATOR ASSY.	3.609	9.	CLAMP – Exhaust pipe to pipe & res. assy.	3.616
3.	PIPE ASSY. – Exhaust	3.609	10.	MANIFOLD ASSY. – Exhaust	3.601
4.	INSULATOR – Front & rear	3.704	11.	PACKING – Exhaust pipe	3.611
5.	SPACER – Front & rear	3.704	12.	NUT – Exhaust pipe to manifold	3.275
6.	SUPPORT – Front & rear	3.704			
7.	“U” BOLT – Pipe & resonator assy. to muffler assy.	3.616			



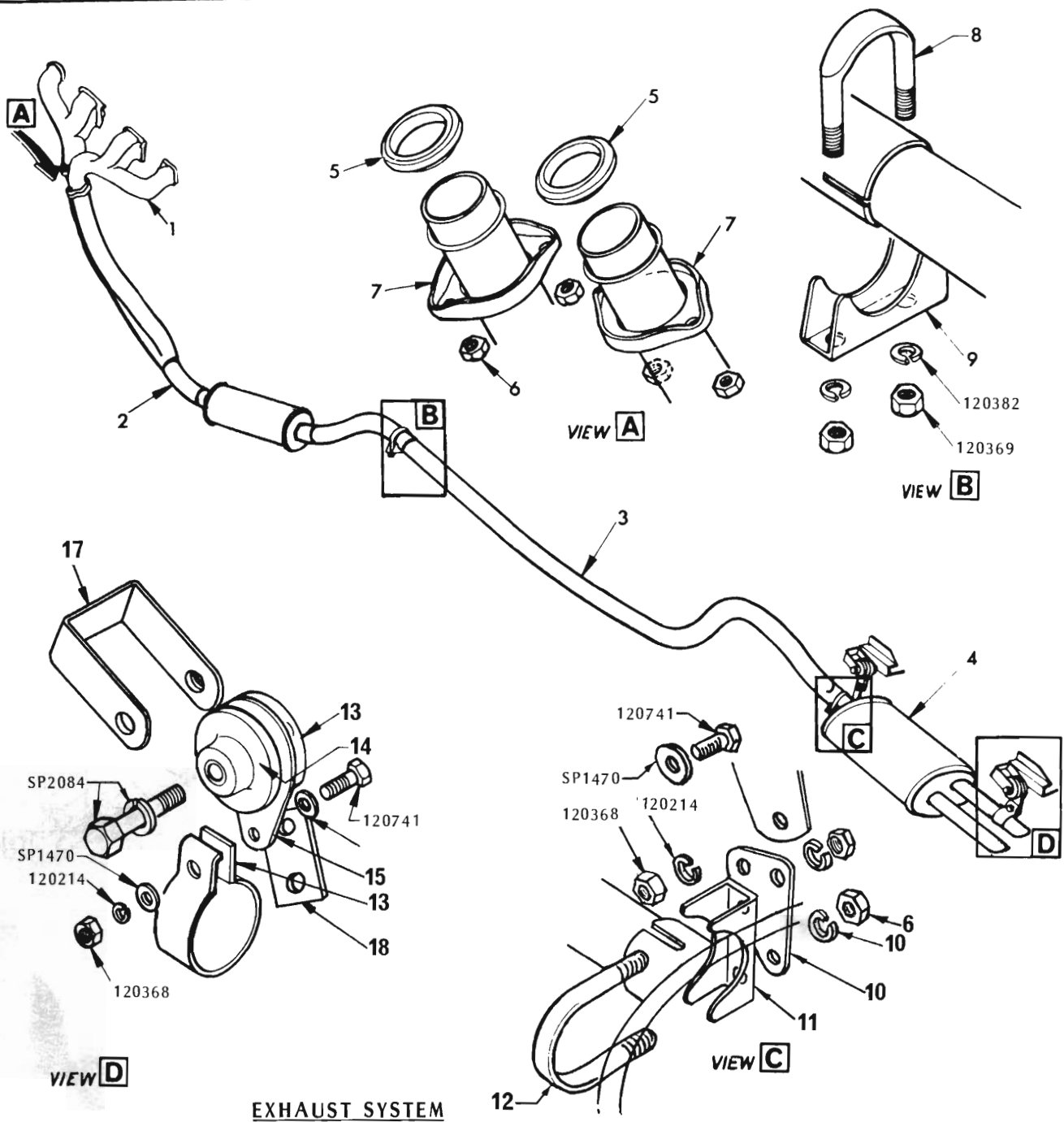
EXHAUST SYSTEM
6 Cylinder Exc. G.T.R. and XU1

ILLUS. REF. NO.	PART NAME	GROUP	ILLUS. REF. NO.	PART NAME	GROUP
1.	MANIFOLD ASSY.	3.601	10.	"U" BOLT - Pipe & Resonator assy. to muffler	3.616
2.	PIPE ASSY. - Exhaust	3.609	11.	CLAMP - Pipe & resonator assy. to muffler	3.616
3.	PIPE & RESONATOR ASSY.	3.609	12.	BRACKET - Muffler	3.704
4.	MUFFLER ASSY.	3.701	13.	INSULATOR - Muffler	3.704
5.	PACKING - Pipe flange	3.611	14.	WASHER - Lock	8.931
6.	FLANGE - Exhaust pipe	3.610	15.	SPACER - Muffler	3.704
7.	NUT - Flange to manifold	3.275	16.	SUPPORT - Muffler	3.704
8.	"U" BOLT - Exhaust pipe to resonator	3.616			
9.	CLAMP - Exhaust pipe to resonator	3.616			



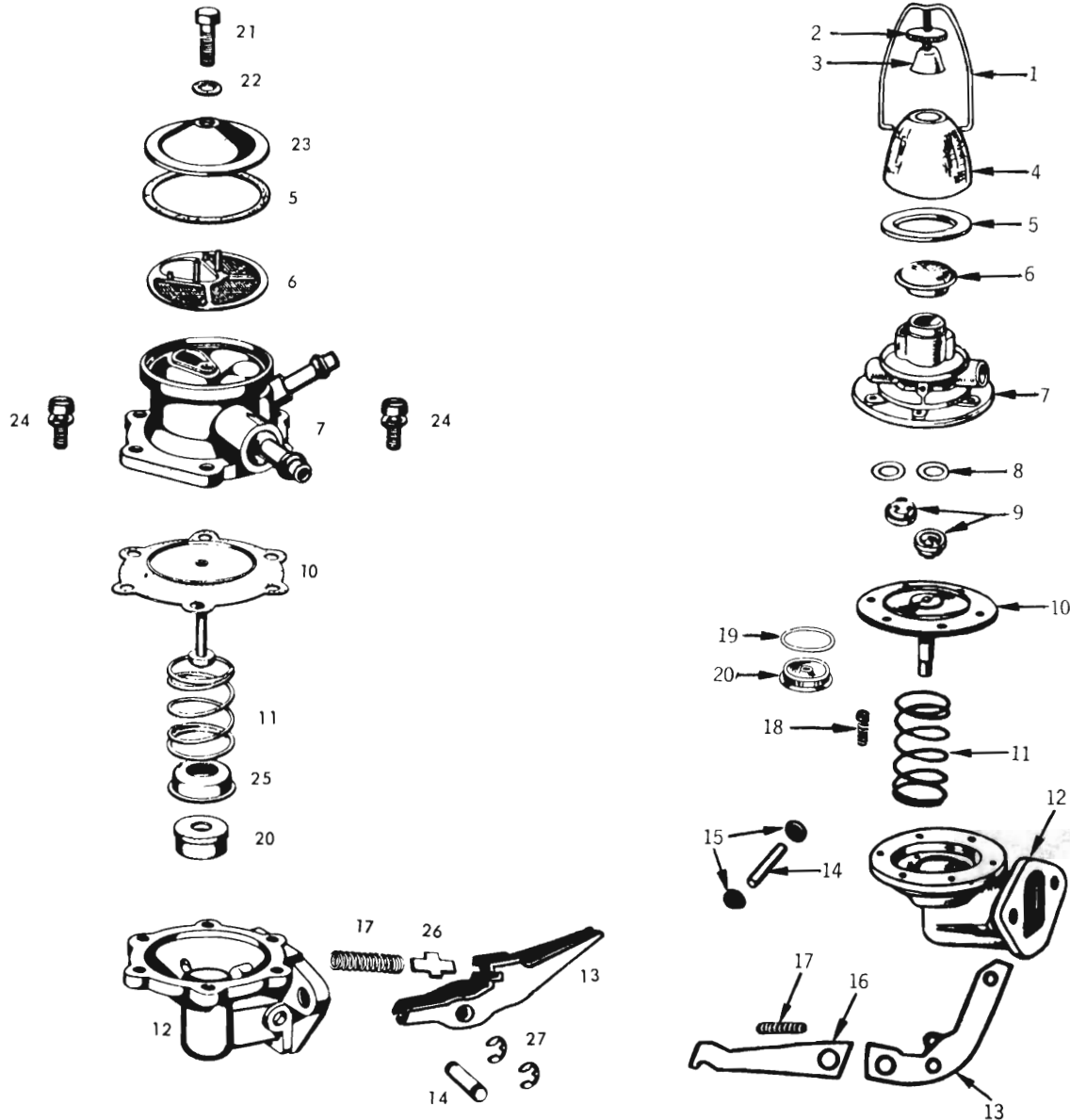
EXHAUST SYSTEM - G.T.R.

ILLUS. REF. NO.	PART NAME	GROUP	ILLUS. REF. NO.	PART NAME	GROUP
1.	MANIFOLD ASSY.	3.601	10.	"U" BOLT - Pipe & resonator assy. to muffler	3.616
2.	PIPE ASSEMBLY - Exhaust	3.609	11.	CLAMP - Pipe & resonator assy. to muffler	3.616
3.	PIPE & RESONATOR ASSY.	3.609	12.	BRACKET - Muffler front support	3.704
4.	MUFFLER ASSY.	3.701	13.	INSULATOR - Muffler	3.704
5.	PACKING - Pipe flange	3.611	14.	SPACER - Muffler	3.704
6.	NUT - Flange to manifold	3.275	15.	SUPPORT - Muffler	3.704
7.	FLANGE - Exhaust pipe	3.610	16.	CLAMP - Muffler rear support	3.704
8.	"U" BOLT - Exhaust pipe to resonator	3.616			
9.	CLAMP - Exhaust pipe to resonator	3.616			



**EXHAUST SYSTEM
XU1 ENGINE**

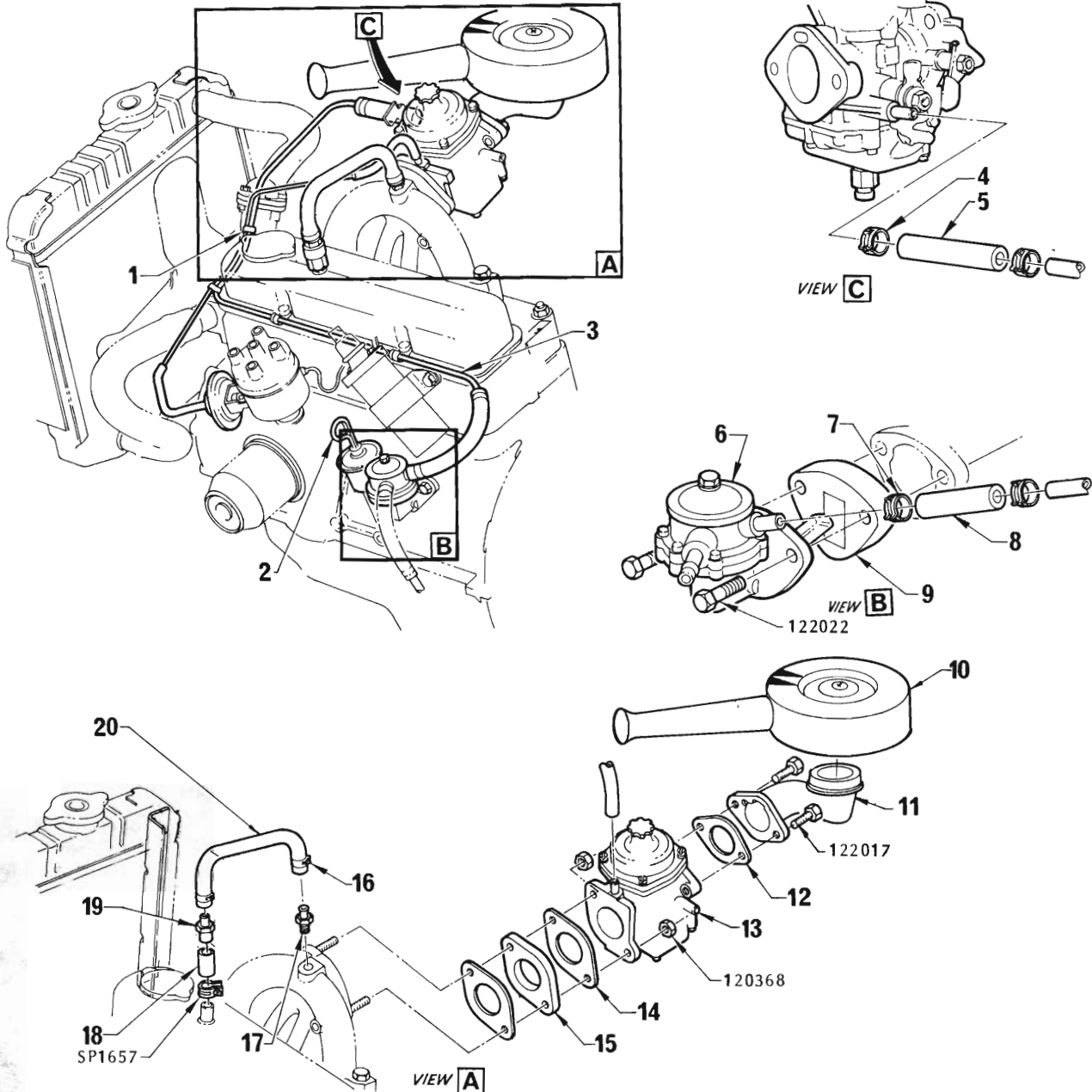
ILLUS. REF. NO.	PART NAME	GROUP	ILLUS. REF. NO.	PART NAME	GROUP
1.	MANIFOLD ASSY.	3.601	10.	BRACKET - Muffler front support	3.704
2.	PIPE ASSY. - Exhaust	3.609	11.	CLAMP - Rear pipe to muffler	3.616
3.	PIPE & RESONATOR ASSY.	3.609	12.	"U" BOLT - Rear pipe to muffler	3.616
4.	MUFFLER ASSY.	3.701	13.	CLAMP - Muffler rear support	3.704
5.	PACKING	3.611	14.	SPACER - Muffler	3.704
6.	NUT - Flange to manifold	3.275	15.	SUPPORT - Muffler	3.704
7.	FLANGE	3.610	16.	INSULATOR - Muffler	3.704
8.	"U" BOLT - Pipe & Resonator to rear pipe	3.616	17.	BRACKET - Muffler front and rear	3.704
9.	CLAMP - Pipe & resonator to rear pipe	3.616	18.	BRACKET - Muffler rear support	3.704



FUEL PUMPS

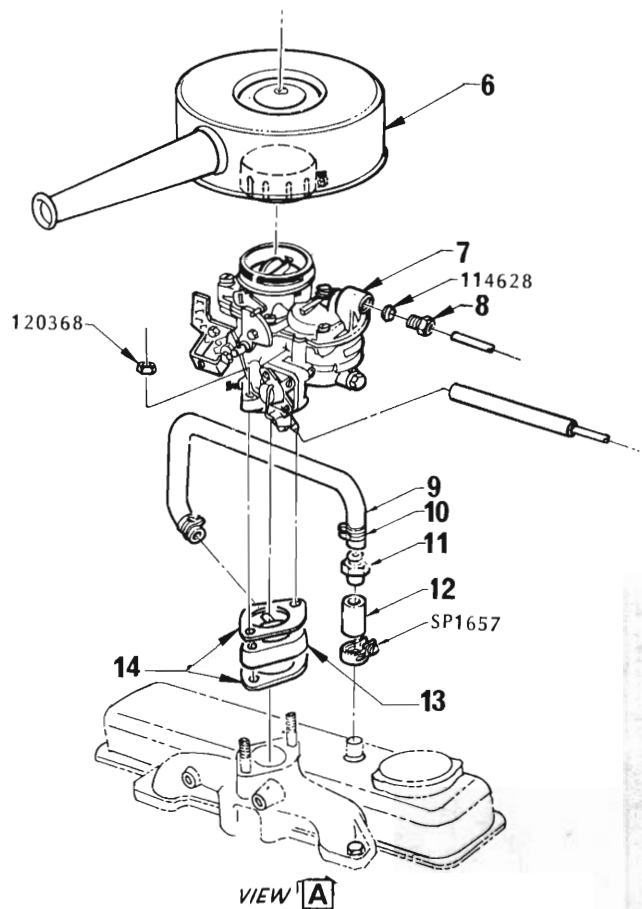
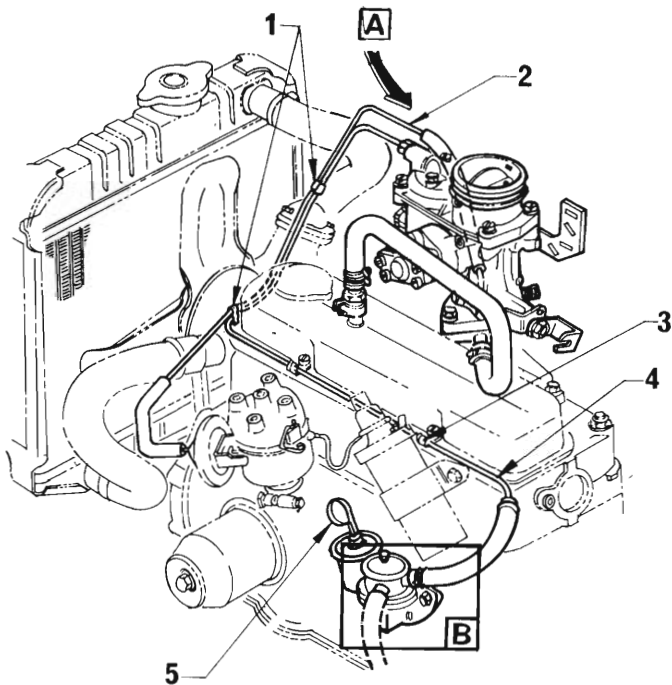
ILLUS. REF. NO.	PART NAME	GROUP	ILLUS. REF. NO.	PART NAME	GROUP
1.	BAIL & SCREW	3.906	16. (A)	LINK	3.931
4.	BOWL	3.903	17. (A)	SPRING	3.922
5. (A)	GASKET	3.904	18.	SCREW & WASHER	3.910
6. (A)	SCREEN ASSY.	3.929	19. (A)	WASHER - Seal	3.902
7.	COVER	3.910	20. (A)	SEAL	3.902
8. (A)	GASKET	3.913	21.	SCREW - Filter cover	3.906
9. (A)	VALVE ASSY.	3.909	22.	WASHER - Cover screw	3.906
10.	DIAPHRAGM ASSY.	3.925	23.	COVER - Filter	3.903
11. (A)	SPRING	3.927	24.	SCREW - Cover	3.910
12.	BODY	3.902	25.	SEAT - Diaphragm spring	3.927
13.	ARM	3.920	26.	RETAINER - Arm spring	3.922
14. (A)	PIN	3.921	27.	CIRCLIP - Arm pin	3.921
15. (A)	PLUG	3.921			

NOTE: (A) Parts included in Repair Kit, Refer Group 3.901

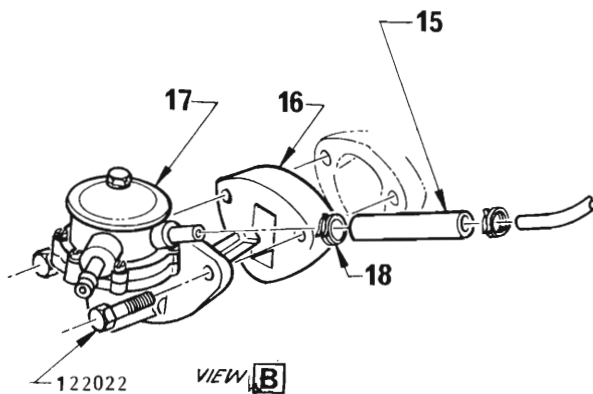


**FUEL PUMP and CARBURETTOR MOUNTING
1160, 1300 ENGINE**

ILLUS. REF. NO.	PART NAME	GROUP	ILLUS. REF. NO.	PART NAME	GROUP
1.	CLIP - Control pipe to fuel pipe	2.424	11.	ADAPTOR - Air cleaner	3.402
2.	ROD - Oil level indicator	1.516	12.	GASKET - Adaptor to carburettor..	3.402
3.	PIPE ASSY. - Carburettor fuel	3.201	13.	CARBURETTOR ASSY.	3.725
4.	CLAMP - Hose	3.163	14.	GASKET - Flange	3.726
5.	HOSE - Fuel pipe to carburettor	3.163	15.	INSULATOR - Heat	3.726
6.	FUEL PUMP ASSY.	3.900	16.	CLAMP - Hose	3.163
7.	CLAMP - Hose	3.163	17.	ADAPTOR - Crankcase ventilator	1.762
8.	HOSE - Fuel pipe to pump	3.163	18.	HOSE - Connector breather	1.762
9.	INSULATOR - Fuel pump heat	3.932	19.	VALVE ASSY.	1.762
10.	AIR CLEANER ASSY.....	3.402	20.	HOSE - Carburettor to vent valve..	1.762

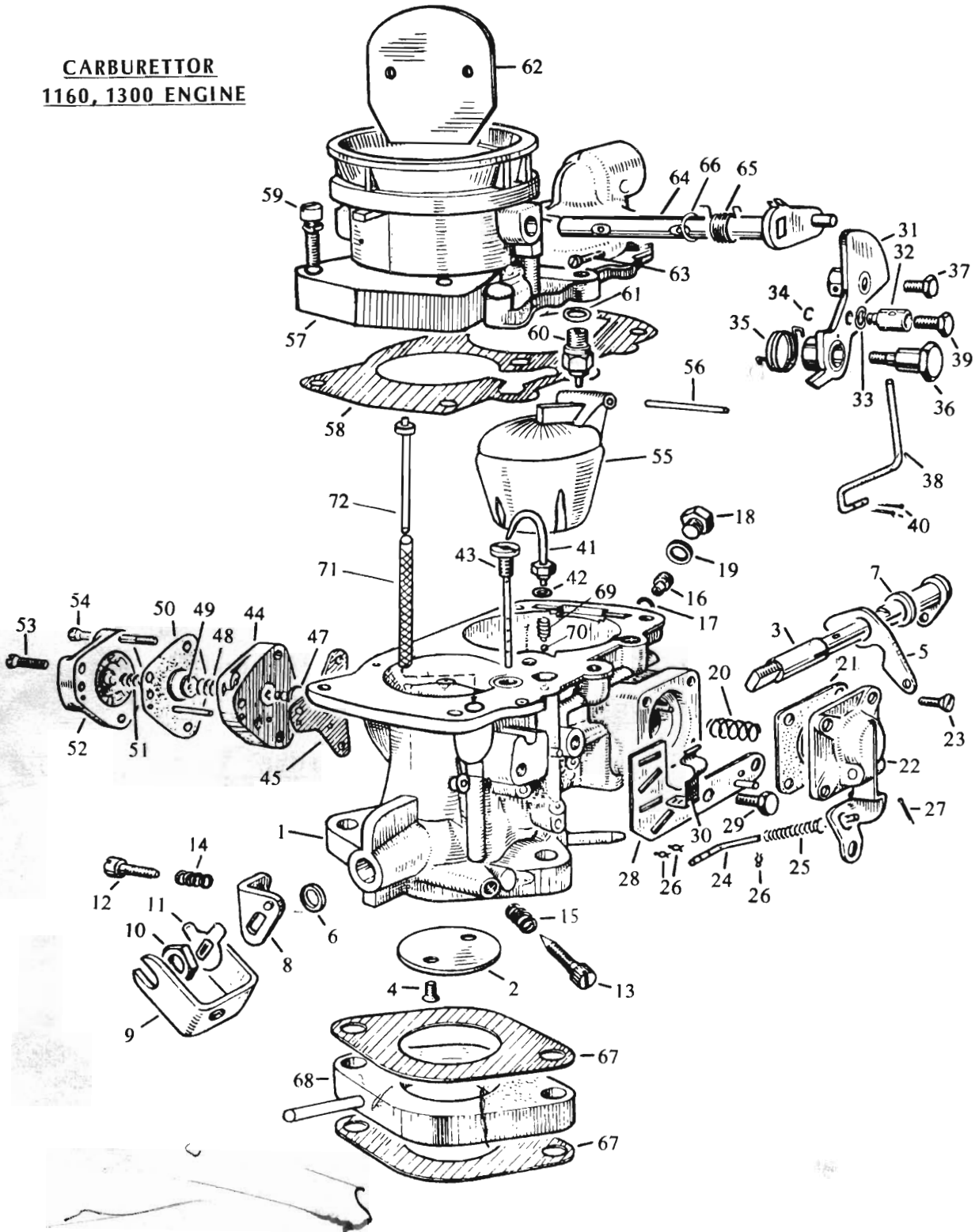


**FUEL PUMP & CARBURETTOR MTG.
70 ENGINE**



ILLUS. REF. NO.	PART NAME	GROUP
1.	CLIP - Control pipe to fuel pipe	2.424
2.	PIPE ASSY. - Spark control	2.424
3.	CLIP - Fuel pipe to rocker cover	3.202
4.	PIPE ASSY. - Carburettor fuel	3.201
5.	ROD - Oil level indicator	1.516
6.	AIR CLEANER ASSY.	3.402
7.	CARBURETTOR ASSY.	3.725
8.	NUT - Fuel pipe to carburettor	3.202
9.	HOSE - Carburettor to vent valve	1.762
10.	CLAMP - Hose	3.163
11.	VALVE ASSY.	1.762
12.	HOSE - Connector breather	1.762
13.	INSULATOR - Heat	3.726
14.	GASKET - Flange	3.726
15.	HOSE - Fuel pipe to pump	3.163
16.	INSULATOR - Fuel pump heat	3.932
17.	PUMP ASSY. - Fuel	3.900
18.	CLAMP HOSE	3.163

CARBURETTOR
1160, 1300 ENGINE



HOLDEN "LJ" PARTS CATALOGUE

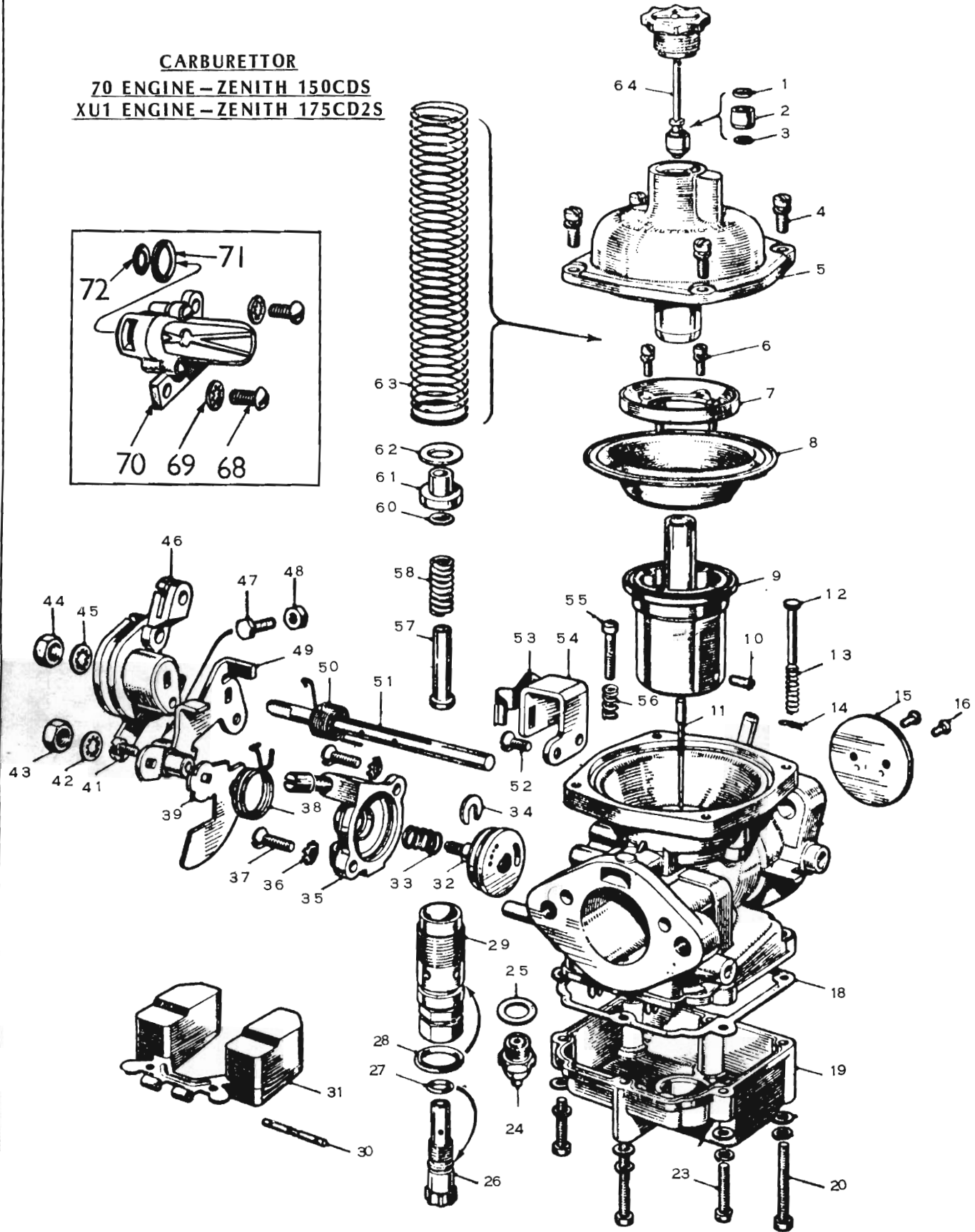
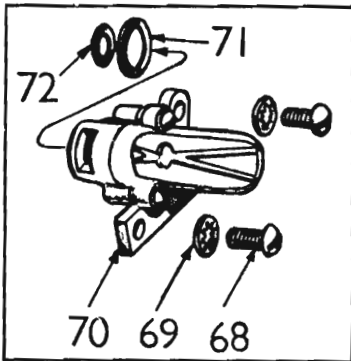
CARBURETTOR 1160, 1300 ENGINE

ILLUSTRATION OPPOSITE

ILLUS. REF. NO.	PART NAME	GROUP	ILLUS. REF. NO.	PART NAME	GROUP
1-72	CARBURETTOR ASSY.	3.725	36.	PIVOT - Cam	3.735
1.	BODY ASSY.	3.748	37.	SCREW - Cable locking	3.735
2.	VALVE - Throttle	3.729	38.	ROD - Idler connecting	3.793
3.	SHAFT	3.731	39.	SCREW - Rod to cam	3.793
4.	SCREW - Valve attaching	3.729	40.	PIN - Rod to lever	3.793
5.	LEVER - Floating	3.792	41.	INJECTOR ASSY.	3.757
6.	WASHER - Sealing	3.731	42.	RING - Injector assy., sealing	3.757
7.	WASHER - Distance	3.731	43.	TUBE - Emulsion	3.752
8.	PLATE - Abutment	3.731	44.	BODY - Economy unit	3.806
9.	LEVER - Torsion	3.732	45.	GASKET - Economy unit	3.806
10.	NUT	3.731	47.	VALVE - Economy unit	3.806
11.	WASHER - Lock	3.731	48.	SPRING - Valve	3.806
12.	SCREW - Slow idle	3.734	49.	WASHER - Valve	3.806
13.	VALVE - Idle needle	3.741	50.	DIAPHRAGM - Economy unit	3.806
14.	SPRING - Slow idle screw	3.734	51.	SPRING - Diaphragm	3.806
15.	SPRING - Idle needle valve	3.742	52.	COVER - Economy unit	3.806
16.	MAIN JET	3.754	53.	SCREW - Cover fixing	3.806
17.	WASHER - Main jet sealing	3.754	54.	SCREW - Economy unit fixing	3.806
18.	PLUG - Main jet	3.755	55.	FLOAT and LEVER ASSY.	3.773
19.	GASKET - Jet plug	3.756	56.	PIN - Float	3.775
20.	SPRING - Pump	3.779	57.	COVER ASSY. - Float chamber	3.763
21.	DIAPHRAGM - Pump	3.778	58.	GASKET - Cover	3.765
22.	COVER ASSY.	3.782	59.	SCREW - Cover attaching	3.763
23.	SCREW - Cover assy.	3.782	60.	VALVE - Float needle	3.771
24.	ROD - Pump control	3.783	61.	GASKET - Valve seat	3.772
25.	SPRING - Control rod	3.783	62.	VALVE - Choke	3.789
26.	CIRCLIP - Control rod	3.783	63.	SCREW - Valve attaching	3.789
27.	PIN - Control rod	3.783	64.	SHAFT ASSY. - Choke	3.791
28.	BRACKET - Choke cable	3.795	65.	SPRING - Shaft return	3.791
29.	SCREW - Bracket fixing	3.795	66.	WASHER - Choke shaft	3.791
30.	CLIP - Choke cable	3.795	67.	GASKET - Flange	3.726
31.	CAM ASSY. - Fast idle	3.735	68.	INSULATOR ASSY.	3.726
32.	SWIVEL - Idler rod	3.793	69.	SPRING - Check valve	3.760
33.	WASHER - Wave	3.793	70.	VALVE - Check ball	3.760
34.	CIRCLIP - Cam swivel	3.793	71.	FILTER - Pilot jet	3.752
35.	SPRING - Cam return	3.735	72.	JET - Pilot	3.752

CARBURETTOR

70 ENGINE - ZENITH 150CDS
XU1 ENGINE - ZENITH 175CD2S



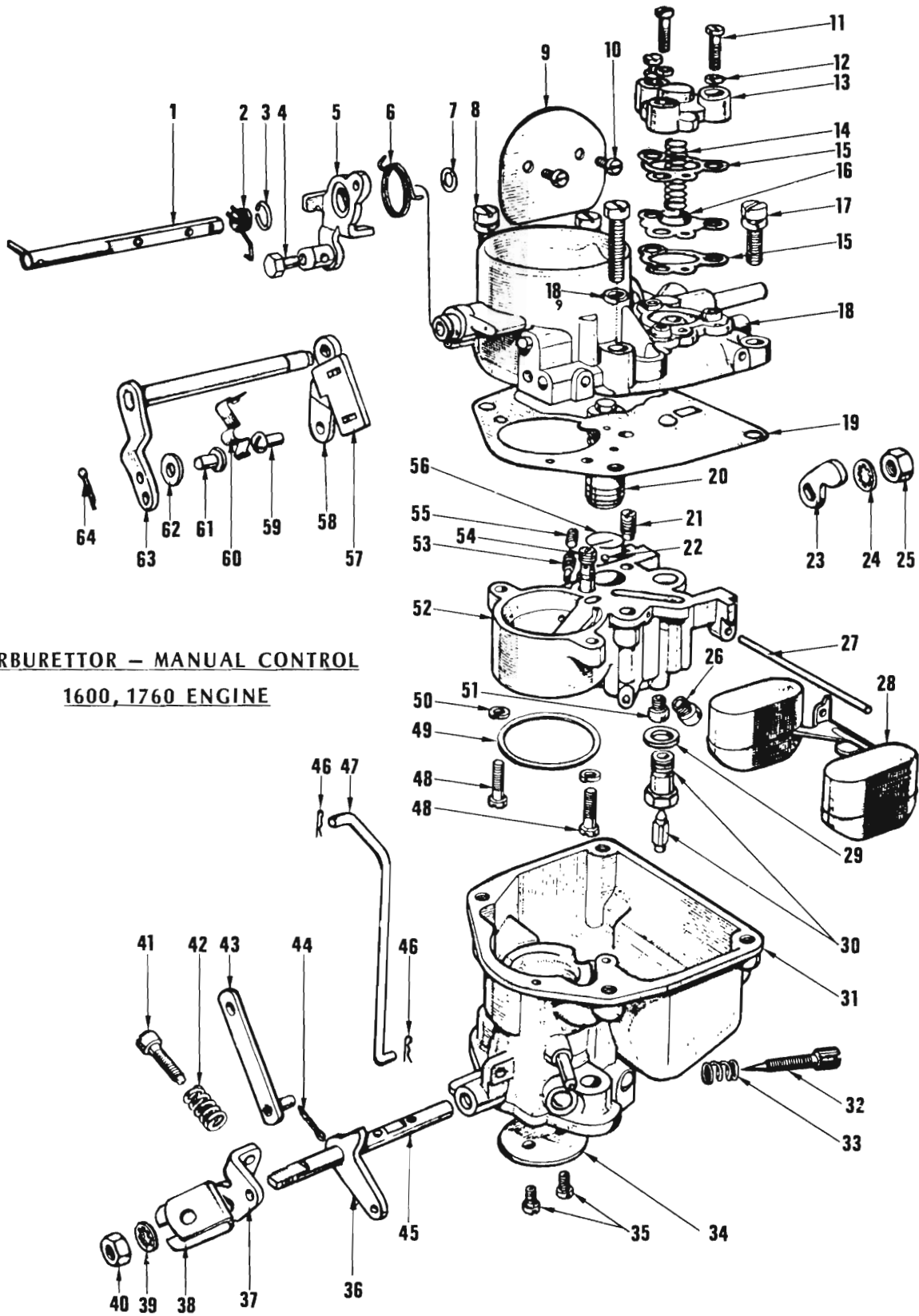
HOLDEN "LJ" PARTS CATALOGUE

CARBURETTOR 70 ENGINE - ZENITH 150CDS XU1 ENGINE - ZENITH 175CD2-S

ILLUSTRATION OPPOSITE

ILLUS. REF. NO.	PART NAME	GROUP	ILLUS. REF. NO.	PART NAME	GROUP	
1-72	CARBURETTOR ASSY.	3.725	32.	STARTER ASSY.	3.791	
1.	WASHER - Damper assy.	3.803	33.			
2.	BUSHING - Damper assy.	3.803	34.			
3.	RING - Damper bushing retaining	3.803	35.			
4.	SCREW ASSY. Cover fixing	3.804	38.			
5.	COVER - Suction chamber	3.804	39.			
6.	SCREW ASSY. - Diaphragm ring	3.807	42.			
7.	RING - Diaphragm retaining	3.807	43.			
8. (A)	DIAPHRAGM - Air valve	3.807	36.			WASHER - Starter assy. lock 3.791
9.	VALVE - Air	3.807	37.			SCREW - Starter assy. fixing 3.791
10.	SCREW - Needle lock	3.814	41.	SCREW - Cable locking 3.735		
11. (A)	NEEDLE - Metering	3.814	44.	NUT - Throttle spindle 3.731		
12.	PIN - Air valve lifting	N.L.A.	45.	WASHER - Throttle spindle lock 3.731		
13.	SPRING - Lifting pin	N.L.A.	46.	LEVER - Throttle 3.731		
14.	CLIP - Lifting pin spring	N.L.A.	47.	SCREW - Fast idle 3.737		
15.	VALVE - Throttle	3.729	48.	NUT - Fast idle screw lock 3.737		
16.	SCREW - Throttle valve attaching	3.729	49.	LEVER - Throttle stop 3.792		
18. (A)	GASKET - Float chamber	3.749	50.	SPRING - Throttle return 3.731		
19.	FLOAT CHAMBER	3.800	51.	SHAFT - Throttle 3.731		
20.	SCREW - Float chamber fixing	3.800	52.	SCREW - Bracket fixing 3.795		
23.	SCREW - Float chamber fixing	3.800	53.	CLIP - Choke cable 3.795		
24. (A)	VALVE ASSY. - Float needle	3.771	54.	BRACKET & CLIP ASSY. - Choke cable 3.795		
25. (A)	GASKET - Float needle valve seat	3.772	55.	SCREW - Slow idle adjusting 3.734		
26.	ADJUSTER ASSY. - Orifice jet	3.802	56.	SPRING - Slow idle adjusting screw 3.734		
27. (A)	"O" RING - Adjuster assy.	3.802	57.	JET - Orifice 3.754		
28. (A)	"O" RING - Retainer assy.	3.802	58.	SPRING - Orifice jet 3.754		
29.	RETAINER ASSY. - Orifice jet bushing	3.802	60. (A)	"O" RING - Orifice jet 3.805		
30.	PIN - Float fulcrum	3.775	61.	BUSHING - Orifice jet 3.805		
31.	FLOAT & ARM ASSY.	3.773	62. (A)	WASHER - Orifice jet bushing 3.805		
			63.	SPRING - Air valve return 3.805		
			64.	DAMPER ASSY. - Hydraulic 3.803		
			68.	SCREW - Compensator attaching 3.852		
			69.	WASHER - Screw lock 3.852		
			70.	COMPENSATOR ASSY. 3.852		
			71.	WASHER - Compensator sealing, outer 3.852		
			72.	WASHER - Compensator sealing, inner 3.852		

NOTE: (A) Parts included in Repair Kit, Refer Group 3.725



CARBURETTOR - MANUAL CONTROL
1600, 1760 ENGINE

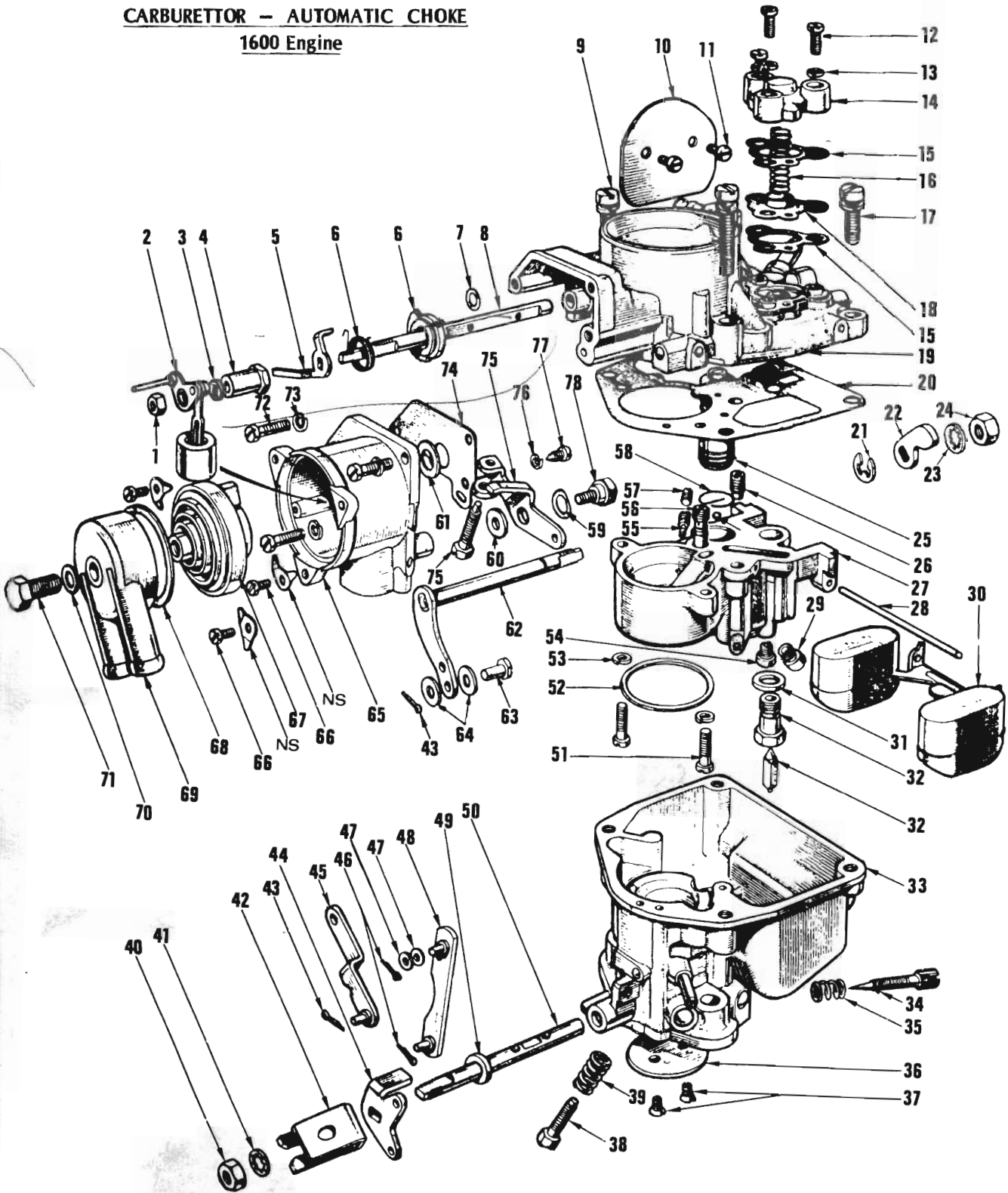
HOLDEN "LJ" PARTS CATALOGUE

CARBURETTOR – MANUAL CONTROL 1600, 1760 ENGINE

ILLUSTRATION OPPOSITE

ILLUS. REF. NO.	PART NAME	GROUP	ILLUS. REF. NO.	PART NAME	GROUP
1-64	CARBURETTOR ASSY.	3.725	32.	VALVE – Idle needle	3.741
1.	SHAFT ASSY. – Choke	3.791	33.	SPRING – Idle needle valve	3.742
2.	SPRING – Shaft return	3.791	34.	VALVE – Throttle	3.729
3.	CIRCLIP – Shaft	3.791	35.	SCREW – Throttle valve attaching	3.729
4.	SCREW – Cable locking	3.791	36.	LEVER – Floating	3.792
5.	LEVER – Choke control	3.791	37.	THROTTLE STOP	3.792
6.	SPRING – Control lever	3.791	38.	LEVER – Throttle	3.731
7.	WASHER – Choke shaft	3.791	39.	WASHER – Shake proof, 5/16"	8.932
8.	SCREW & SPRING WASHER – Float chamber cover (long)	3.763	40.	NUT – Throttle shaft	3.731
9.	VALVE – Choke	3.789	41.	SCREW – Slow idle	3.734
10.	SCREW – Valve attaching	3.789	42.	SPRING – Slow idle screw	3.734
11.	SCREW – Economy cover	3.806	43.	LEVER – Pump link	3.783
12.	WASHER – Lock No. 8 medium	8.931	44.	PIN – Pump lever	3.783
13.	COVER – Economy diaphragm	3.806	45.	SHAFT – Throttle	3.731
14.	SPRING – Diaphragm	3.806	46.	PIN – Fast idle rod	3.793
15.	GASKET – Diaphragm	3.806	47.	ROD – Fast idle	3.793
16.	DIAPHRAGM – Economy device	3.806	48.	SCREW – Emulsion block	3.752
17.	SCREW & SPRING WASHER – Float chamber cover (short)	3.763	49.	RING – Emulsion block sealing	3.752
18.	COVER ASSY. – Float chamber	3.763	50.	WASHER – Lock No. 10	8.931
19.	GASKET – Float chamber	3.765	51.	JET – Compensating	3.754
20.	PISTON ASSY. – Pump	3.778	52.	EMULSION BLOCK	3.752
21.	JET – Slow running	3.752	53.	JET ASSY. – Pump	3.757
22.	BALL – Pump check	3.760	54.	VALVE – Pump discharge	3.757
23.	LEVER – Pump internal	3.782	55.	PLUG – Pump jet	3.757
24.	WASHER – Pump lever, shakeproof 5/16"	8.932	56.	CIRCLIP – Pump jet ball	3.760
25.	NUT – Pump lever	3.782	57.	BRACKET – Choke control	3.795
26.	JET – Main metering	3.754	58.	WASHER – Spacing	3.782
27.	PIVOT – Float arm	3.775	59.	SCREW – Bracket fixing	3.795
28.	FLOAT ASSY.	3.773	60.	CLIP – Choke cable	3.795
29.	GASKET – Float valve	3.772	61.	PIN – Pump link	3.783
30.	VALVE ASSY. – Float	3.771	62.	WASHER – Pump link pin	3.783
31.	BODY ASSY.	N.S.S.	63.	SHAFT & LEVER ASSY. – Pump	3.782
			64.	PIN – Cotter	3.783

CARBURETTOR - AUTOMATIC CHOKE
1600 Engine



HOLDEN "LJ" PARTS CATALOGUE

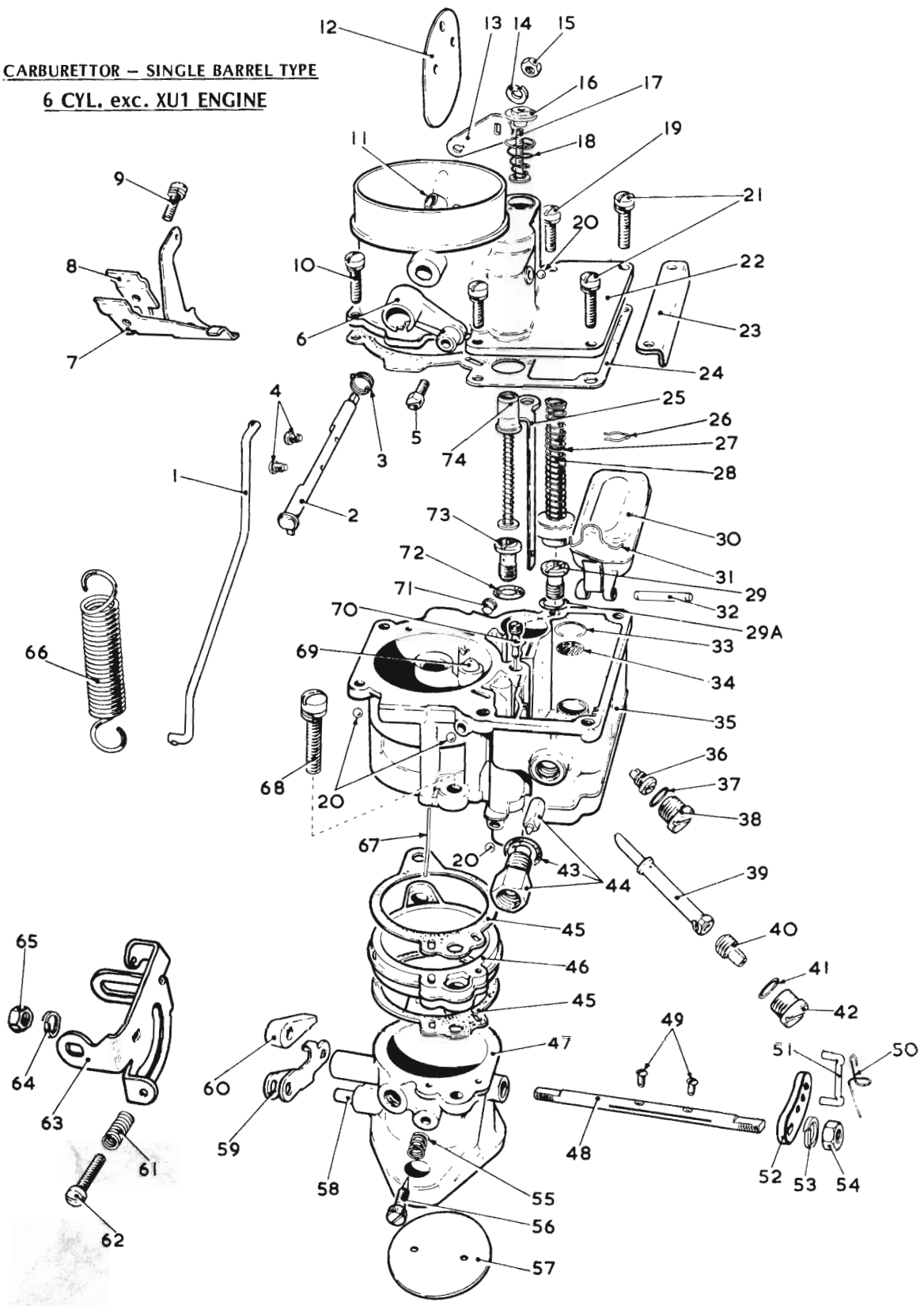
CARBURETTOR – AUTOMATIC CHOKE

1600 Engine

ILLUSTRATION OPPOSITE

ILLUS. REF. NO.	PART NAME	GROUP	ILLUS. REF. NO.	PART NAME	GROUP
1-79.	CARBURETTOR ASSY.	3.725	39.	SPRING – Slow idle screw	3.734
1.	NUT – Choke shaft	3.791	40.	NUT – Throttle shaft	3.731
2.	PISTON & LEVER – Choke kick	3.799	41.	WASHER – Shakeproof 5/16"	8.932
3.	WASHER – Locating	3.791	42.	LEVER – Throttle	3.731
4.	NUT – Choke lever	3.791	43.	PIN – Pump lever	3.783
5.	LEVER – Choke	3.791	44.	THROTTLE STOP	3.792
6.	CAM SPRING & BUSH ASSY.	3.791	45.	LEVER – Pump link	3.783
7.	WASHER – Choke shaft	3.791	46.	PIN – Fast idle rod	3.793
8.	SHAFT ASSY. – Choke	3.791	47.	WASHER – Fast idle rod	3.793
9.	SCREW & SPRING WASHER ASSY. – Float chamber cover (long)	3.763	48.	ROD – Fast idle	3.793
10.	VALVE – Choke	3.789	49.	WASHER – Spacing	3.731
11.	SCREW – Valve attaching	3.789	50.	SHAFT – Throttle	3.731
12.	SCREW – Economy cover	3.806	51.	SCREW – Emulsion block	3.752
13.	WASHER – Lock No. 8 medium	8.931	52.	RING – Emulsion block sealing	3.752
14.	COVER – Economy diaphragm	3.806	53.	WASHER – Lock No. 10	8.931
15.	GASKET – Diaphragm	3.806	54.	JET – Compensating	3.754
16.	SPRING – Diaphragm	3.806	55.	JET ASSY. – Pump	3.757
17.	SCREW & SPRING WASHER ASSY. – Float chamber cover (short)	3.763	56.	VALVE – Pump discharge	3.757
18.	DIAPHRAGM Economy device	3.806	57.	PLUG – Pump jet	3.757
19.	COVER ASSY. – Float chamber	3.763	58.	CIRCLIP – Pump jet ball	3.760
20.	GASKET – Float chamber	3.765	59.	WASHER – Intermediate lever	3.731
21.	RING – Lever retaining	3.782	60.		
22.	LEVER – Pump internal	3.782	61.	WASHER – Housing gasket sealing ..	3.796
23.	WASHER – Pump lever, shakeproof 5/16" ..	8.932	62.	SHAFT & LEVER ASSY. – Pump	3.782
24.	NUT – Pump lever	3.782	63.	PIN – Pump link	3.783
25.	PISTON ASSY. – Pump	3.778	64.	WASHER – Pump link pin	3.783
26.	JET – Slow running	3.752	65.	HOUSING & LEVER ASSY.	3.796
27.	EMULSION BLOCK	3.752	66.	SCREW – Heat mass fixing	3.796
28.	PIVOT – Float arm	3.775	67.	MASS ASSY. – Heat	3.796
29.	JET – Main metering	3.754	68.	GASKET – Housing	3.796
30.	FLOAT ASSY.	3.771	69.	COVER – Heat mass	3.796
31.	GASKET – Float valve	3.772	70.	WASHER – Heat mass cover screw ..	3.796
32.	VALVE ASSY. – Float	3.771	71.	SCREW – Cover fixing	3.796
33.	BODY ASSY.	N.S.S.	72.	SCREW – Housing fixing	3.796
34.	VALVE – Idle needle	3.741	73.	WASHER – Lock	8.931
35.	SPRING – Idle needle valve	3.742	74.	GASKET – Housing	3.796
36.	VALVE – Throttle	3.729	75.		
37.	SCREW – Throttle valve attaching	3.729	76.		
38.	SCREW – Slow idle	3.734	77.	SCREW – Vacuum piston stop	3.799
			78.		
			79.	BALL – Pump check	3.760

CARBURETTOR - SINGLE BARREL TYPE
6 CYL. exc. XU1 ENGINE



HOLDEN "LJ" PARTS CATALOGUE

CARBURETTOR - SINGLE BARREL TYPE 6 CYL. exc. XU1 ENGINE

ILLUSTRATION OPPOSITE

ILLUS. REF. NO.	PART NAME	GROUP	ILLUS. REF. NO.	PART NAME	GROUP
1-74	CARBURETTOR ASSY.	3.725	36. (B)	VALVE ASSY. - Pump check	3.784
1.	ROD - Fast idle	3.793	37. (C)	GASKET - Plug	3.784
2.	SHAFT & LEVER ASSY.	3.791	38. (B)	PLUG - Check valve	3.784
3.	SPRING - Choke lever	3.791	39.	JET - Main discharge	3.754
4.	SCREW - Valve attaching	3.789	40. (B)	JET - Main metering	3.754
5.	SCREW - Wire clamp	3.791	41. (C)	GASKET - Metering jet plug	3.756
6.	LEVER ASSY. - Choke	3.791	42.	PLUG - Metering jet	3.756
8.	CLAMP - Choke cable	3.795	43. (B)	GASKET - Needle valve seat	3.772
9.	SCREW & LOCK WASHER - Clamp	3.795	44. (B)	VALVE & SEAT ASSY.	3.771
7.			45. (C)	GASKET - Main body	3.749
8.	BRACKET ASSY. - Choke cable	3.795	46.	SPACER - Insulating	3.748
9.			47.	BODY ASSY. - Throttle	3.727
10.	SCREW & LOCK WASHER - Bracket	3.795	48.	SHAFT - Throttle	3.731
11.	TUBE - Vent	3.763	49.	SCREW - Throttle valve	3.729
12.	VALVE ASSY. - Choke	3.789	50. (B)	CLIP - Spring	3.783
13.	LEVER - Fast idle	3.792	51. (B)	LINK - Pump	3.783
14.	WASHER - Lever attaching nut	3.792	52.	LEVER - Pump	3.780
15.	NUT - Lever attaching	3.792	53.	WASHER - Pump lever nut	3.781
16.	VALVE - Idle vent	3.764	54.	NUT - Pump lever	3.781
17.	STEM - Idle vent valve	3.764	55.	SPRING - Idle needle valve	3.742
18.	SPRING - Idle vent valve	3.764	56. (B)	VALVE - idle needle	3.741
19.	SCREW & LOCK WASHER - Air horn	3.763	57.	VALVE - Throttle	3.729
20. (B)	PLUG - Lead ball	3.767	58.	PIN - Fast idle cam	3.736
21.	SCREW & LOCK WASHER - Air horn	3.763	59.	LEVER - Fast idle	3.735
22.	AIR HORN ASSY.	3.763	60.	CAM - Fast idle	3.735
23.	BAR - Reinforcing	3.763	61.	SPRING - Slow idle adjusting screw	3.734
24. (C)	GASKET - Air horn	3.765	62.	SCREW - Slow idle adjusting	3.734
25.	ROD - Pump	3.782	63.	LEVER - Throttle	3.731
26. (B)	PIN - Cotter	3.778	64.	WASHER - Throttle lever nut	3.731
27.	SPRING - Pump stem	3.779	65.	NUT - Throttle lever	3.731
28. (B)	PISTON & STEM ASSY.	3.778	66.	SPRING - Throttle lever return	3.731
29. (B)	JET ASSY. - Pump by-pass	3.757	67.	ROD - Volume restrictor.....	3.753
29A. (C)	GASKET - Pump by-pass	3.757	68.	SCREW & LOCK WASHER - Main body	3.748
30.	FLOAT & LEVER ASSY.	3.773	69.	BLEEDER - High speed	3.751
31. (B)	SPRING - Float fulcrum pin	3.775	70. (B)	TUBE - Idle	3.752
32.	PIN - Float fulcrum	3.775	71. (B)	PLUG - Drive	3.767
33. (B)	CLIP - Strainer screen	3.787	72. (C)	GASKET - Power by-pass	3.757
34. (B)	SCREEN - Pump strainer	3.787	73. (B)	JET - Power by-pass	3.757
35.	BODY ASSY. - Main	3.748	74.	PISTON	3.788

NOTE: (B) Parts included in Repair Kit, Refer Group 3.725

(C) Parts included in Gasket Kit, Refer Group 3.724
Complete Gasket Kit is also included in Repair Kit.

NOTES

[Handwritten scribble]

HOLDEN "LJ" PARTS CATALOGUE

GROUP	DESCRIPTION	MODEL	SIDE	PART No.	QTY.
3.001	TANK – Fuel				
	TANK ASSY.	1160, 70, 1300 Eng.		2805478	1
	TANK ASSY.	1600, 1760 Eng.		7449977	1
	TANK ASSY.	6 Cyl. exc. XU1 Eng.		7449977	1
	TANK ASSY.	XU1 Eng.		2820186	1
3.003	HOSE, PIPE – Fuel tank filler and vent				
	HOSE – Filler neck	Exc. XU1 Eng.		2805952	1
	CLAMP – Hose, filler neck	Exc. XU1 Eng.		SP1609	2
	HOSE – Fuel tank vent	Exc. XU1 Eng.		2809932	1
	CLAMP – Hose, fuel tank vent pipe	Exc. XU1 Eng.		SP1605	2
	PIPE ASSY. – Filler	Exc. XU1 Eng.		2805949	1
	SCREW – Filler pipe to body	Exc. XU1 Eng.		SP2172	4
	PIPE – Fuel tank vent	Exc. XU1 Eng.		2811155	1
	PIPE – Vent connector	Exc. XU1 Eng.		2810543	1
	GUARD – Fuel tank vent pipe	Exc. XU1 Eng.		2811156	1
	GROMMET – Fuel tank vent pipe	Exc. XU1 Eng.		2810518	1
	HOSE – Filler neck	XU1 Eng.		7423709	1
	CLAMP – Hose to filler pipe	XU1 Eng.		SP1609	2
	HOSE – Fuel tank vent	XU1 Eng.		7438532	1
	CLAMP – Hose, fuel tank vent pipe	XU1 Eng.		7441715	2
	PIPE ASSY. – Filler	XU1 Eng.		2816485	1
	SCREW – Filler pipe to body	XU1 Eng.		SP2172	4
	PIPE – Lower breather vent	XU1 Eng.		2816483	1
	PIPE – Fuel tank vent	XU1 Eng.		2816162	1
	CLIP – Vent pipe to panel	XU1 Eng.		SP1774	3
	GROMMET – Fuel tank vent pipe	XU1 Eng.		2810518	1
3.008	GASKET – Fuel tank filler pipe				
	GASKET	ALL		2805953	1
3.028	CAP – Fuel tank filler				
	CAP ASSY.	Exc. XU1 Eng.		2805021	1
	CAP ASSY.	XU1 Eng.		2816161	1
	CAP ASSY. – Locking	ALL		2811517	1
	INSERT	1160, 70, 1300, 2250, 2850 Eng.		2813992	1
	INSERT	1600 Eng.		2822133	1
	INSERT	1760 Eng.		9930185	1
	INSERT	3300 Exc. XU1 Eng.		9930691	1
3.029	GASKET – Fuel tank filler cap				
	GASKET	ALL		2805571	1
3.107	GAUGE – Fuel tank unit				
	GAUGE ASSY.	1160, 70, 1300 Eng.		2818804	1
	GAUGE ASSY.	1600, 1760 Eng.		2818805	1
	GAUGE ASSY.	6 Cyl. exc. XU1 Eng.		2818805	1
	GAUGE ASSY.	XU1 Eng.		2818806	1
	RING – Fuel gauge tank unit retainer	ALL		3774937	1
3.110	STRAINER – Fuel tank riser pipe				
	STRAINER	ALL		2824038	1
3.112	SEAL – Fuel tank unit				
	SEAL	ALL		7421765	1

HOLDEN "LJ" PARTS CATALOGUE

GROUP	DESCRIPTION	MODEL	SIDE	PART No.	QTY.
3.158	PIPE – Fuel				
	PIPE ASSY. – Fuel tank to pump	1160, 70, 1300 Eng.		2805853	1
	PIPE – Fuel tank to pump	6 Cyl. Eng.		2822059	1
	PIPE ASSY. – Fuel tank to pump	1600, 1760 Eng.		2820597	1
	PIPE ASSY. – Fuel auxiliary to pump	1600, 1760 Eng.		8838162	1
	PIPE ASSY. – Fuel rear	XU1 Eng.		2816486	1
	GROMMET – Rear pipe to underbody	ALL		2805852	1
	GUARD ASSY. – Riser pipe	Exc. XU1 Eng.	N LA	2807322	1
	GUARD ASSY. – Riser pipe	XU1 Eng.		2816451	1
3.163	HOSE – Fuel line				
	HOSE – Fuel pipe to pump	1160, 70, 1300 Eng.		7441716	1
	HOSE – Fuel pump to carb. fuel pipe	1160, 70, 1300 Eng.		7441716	1
	HOSE – Fuel pipe to pump	1600, 1760 Eng.		7441716	1
	HOSE – Carb. fuel pipe to carb.	1600, 1760 Eng.		7203010	1
	CLIP – Carb. fuel pipe to carb. hose	1600, 1760 Eng.		8839538	2
	HOSE – Fuel pipe to pump	6 Cyl. Eng.		7419900	1
	HOSE – Fuel tank to pipe	ALL		2805851	1
	CLAMP – Hose	ALL		3786275	2-4
	CLAMP – Hose	4 Cyl. Eng.		74417,15	2-4
	CONNECTOR – Fuel hose to fuel pump	6 Cyl. Eng.		3750685	1
	HOSE – Fuel pipe to carburettor	70 Eng.		7438532	1
	HOSE – Front carburettor to pipe	XU1 Eng.		(¹⁰⁷ 2823405)	1
	HOSE – Centre carburettor to pipe	XU1 Eng.		(¹⁰⁷ 7441716)	1
	HOSE – Rear carburettor to pipe	XU1 Eng.		(¹⁰⁷ 2816764)	1
	CLAMP – Hose to pipe and carburettor	XU1 Eng.		(¹⁰⁷ 7441715)	6
3.201	PIPE – Carburettor fuel				
	PIPE ASSY.	1160, 1300 Eng.		7441717	1
	PIPE	1600 Eng.		8813275	1
	PIPE	1760 up to Eng. No. 3025151		2705554	1
	PIPE	1760 from Eng. No. 3025152		9963107	1
	PIPE ASSY.	6 Cyl. exc. XU1 Eng.		7426211	1
	PIPE & JUNCTION BLOCK ASSY.	XU1 Eng.		2823388	1
	BRACKET – Fuel pipe support	XU1 Eng.		2823150	1
	PIPE ASSY.	XU1 Eng.		(¹⁰⁸ 2823340)	1
	PIPE ASSY. – Front carburettor to junction block	XU1 Eng.		(¹⁰⁸ 2823343)	1
	PIPE ASSY. – Centre carburettor to junction block ...	XU1 Eng.		(¹⁰⁸ 2823342)	1
	PIPE ASSY. – Rear carburettor to junction block	XU1 Eng.		(¹⁰⁸ 2823341)	1
	BLOCK – Carburettor fuel junction	XU1 Eng.		(¹⁰⁸ 2823344)	1
3.202	PIPE FITTINGS				
	CLIP – Fuel pipe to rocker cover	1160, 70, 1300 Eng.		6377117	2
	CLIP – Fuel pipe to underbody	4 Cyl. Eng.		7415653	1
	CLIP – Fuel pipe to front engine mounting bracket (closed No. 4 – ¼" dia. ⅜" bolt)	1600, 1760 Eng.		126166	1
	CLIP – Fuel pipe to longitudinal member	1600, 1760 Eng.		SP1774	5
	NUT – Fuel pipe to pump	1600, 1760 Eng.		7090718	1
	NUT – Fuel pipe to carburettor	1160, 1300 Eng.		7090718	1
	CLIP – Fuel pipe to longitudinal member	1160, 70, 1300 Eng.		SP1909	3-5
	CLIP – Fuel pipe to spark control pipe	6 Cyl. exc. XU1 Eng.		599119	2
	CLIP – Fuel pipe to engine mounting side rail	6 Cyl. Eng.		7415653	1
	CLIP – Fuel pipe to underbody	6 Cyl. Eng.		7415653	1
	CLIP – Carburettor fuel pipe	6 Cyl. Eng.		7423305	1
	CLIP – Fuel pipe to longitudinal member	6 Cyl. Eng.		SP1574	3

Note: (¹⁰⁷ Fuel connection to carburettor is push on type.
(¹⁰⁸ Fuel connection to carburettor is threaded type.

HOLDEN "LJ" PARTS CATALOGUE

GROUP	DESCRIPTION	MODEL	SIDE	PART No.	QTY.
3.260	HOSE, CLIP, CLAMP – Inlet manifold water				
	PIPE – Manifold to water pump	(M) 1600 Eng.		8851815	1
	PIPE – Manifold to water pump	(A) 1600 Eng.		8842013	1
	PIPE – Manifold to water pump	(M) 1760 Eng.		2705612	1
	PIPE – Manifold to water pump	(A) 1760 Eng.		2705613	1
	CONNECTOR – Pipe to manifold	1600, 1760 Eng.		8813253	1
	ADAPTOR – Pipe to manifold	(A) 1600, 1760 Eng.		8841990	1
	RING – Adaptor sealing	(A) 1600, 1760 Eng.		8822823	1
	NUT – Adaptor	(A) 1600, 1760 Eng.		8822824	1
	CLIP – Pipe to rocker cover	1600, 1760 Eng.		SP1796	1
	HOSE – Inlet	6 Cyl. exc. XU1 Eng.			
			RIGHT HAND DRIVE	9928722	1
	HOSE – Inlet	2250, 2850 Eng.	LEFT HAND DRIVE	7429468	1
	HOSE – Outlet	2250, 2850 Eng.		⁽²⁵⁾ 2820830	1
	CLIP – Hose	6 Cyl. exc. XU1 Eng.		7433806	1
	CLAMP – Hose 1.03"	6 Cyl. exc. XU1 Eng.		SP1610	4-2
3.265	MANIFOLD – Inlet				
	MANIFOLD	1160, 1300 Eng.		8847696	1
	MANIFOLD	70 Eng.		8839306	1
	MANIFOLD	(M) 1600, 1760 Eng.		8851896	1
	MANIFOLD	(A) 1600, 1760 Eng.		8851897	1
	CORRECTOR – Manifold	1600, 1760 Eng.		8825688	1
	NIPPLE – Tee to manifold	(A) 4 Cyl. Eng. Disc, Power Brakes		SP2494	1
	Tee – Manifold vacuum	(A) 4 Cyl. Eng. Disc, Power Brakes		SP2468	1
	ADAPTOR – Brake vacuum hose	(a) 4 Cyl. Eng. Disc, Power Brakes		SP2469	1
	CONNECTOR – Modulator pipe	(A) 4 Cyl. Eng.		SP2470	1
	MANIFOLD	2250 Eng.	RIGHT HAND DRIVE	2820818	1
			LEFT HAND DRIVE	7432239	1
	MANIFOLD	2850, 3300 exc. XU1 Eng.			
			RIGHT HAND DRIVE	⁽⁹²⁾ 2820815	1
	MANIFOLD	2850, 3300 exc. XU1 Eng.			
			RIGHT HAND DRIVE	⁽⁹³⁾ 2825869	1
	MANIFOLD	2850 Eng.	LEFT HAND DRIVE	7432237	1
	MANIFOLD	XU1 Eng.		⁽⁸⁹⁾ 2823222	1
	MANIFOLD	XU1 Eng.		⁽⁹⁰⁾ M37422	1
	PLUG – Expansion	6 Cyl. exc. XU1 Eng.		9419378	1-2
	PLUG – Auto hex. hd. 1/4"	(M) 2250, 2850 Eng.		444819	1
3.270	GASKET SET, GASKET – Manifold				
	GASKET SET	1160, 1300 Eng.		M35687	1
	GASKET – Inlet	1160, 1300 Eng.		6384966	1
	GASKET – Inlet	70 Eng.		7180977	1
	GASKET – Inlet manifold – Front	1600, 1760 Eng.		7206398	1
	GASKET – Inlet manifold – Rear	1600, 1760 Eng.		8841598	1
	GASKET – Exhaust	1160, 70, 1300 Eng.		2700061	1
	GASKET – Exhaust	1600, 1760 Eng.		8831668	1
	GASKET SET	6 Cyl. exc. XU1 Eng.		7430496	1
	GASKET	6 Cyl. Eng.		7429521	1
3.273	BRACE, CLAMP – Manifold				
	BRACE ASSY. – Inlet manifold	1160, 1300 Eng.		7157956	1
	BRACE ASSY. – Inlet manifold	70 Eng.		7195815	1
	CLAMP – Small	6 Cyl. exc. XU1 Eng.		7420151	4
	CLAMP – Large	6 Cyl. exc. XU1 Eng.		3789898	2
	CLAMP – Small	XU1 Eng.		2818411	4
	CLAMP – Large	XU1 Eng.		2818412	2

Note: ⁽²⁵⁾ When Heater not fitted.
⁽⁸⁹⁾ Up to Eng No. JP386597.
⁽⁹⁰⁾ From Eng. No. JP386598.
⁽⁹²⁾ Prior to A.D.R.27.
⁽⁹³⁾ With A.D.R. 27.

HOLDEN "LJ" PARTS CATALOGUE

GROUP	DESCRIPTION	MODEL	SIDE	PART No.	QTY.
3.275	STUD, BOLT – Inlet and exhaust manifold				
	BOLT ASSY. – Inlet manifold to cyl. head	1160, 1300 Eng.		6366865	2
	BOLT – Inlet manifold to cyl. head, centre	1160, 1300 Eng.		9905839	1
	BOLT ASSY. – Inlet manifold to cyl. head	70 Eng.		6366865	1
	BOLT ASSY. – Inlet manifold to cyl. head	70 Eng.		7169711	2
	SCREW ASSY. – Exhaust manifold to cyl. head	1160, 70, 1300 Eng.		9905664	6
	STUD – Brace fixing	1160, 70, 1300 Eng.		6328103	1
	STUD – Inlet manifold to cylinder head $\frac{5}{16}$ " – 24 x $1\frac{5}{16}$ "	1600, 1760 Eng.		8813346	3
	STUD – Inlet manifold to cylinder head $\frac{5}{16}$ " – 24 x $1\frac{7}{16}$ "	1600, 1760 Eng.		8813347	1
	STUD – Inlet manifold to cylinder head $\frac{5}{16}$ " – 24 x $1\frac{5}{8}$ "	1600, 1760 Eng.		8816765	1
	STUD – Inlet manifold to cylinder head $\frac{5}{16}$ " – 24 x $2\frac{1}{8}$ "	1600, 1760 Eng.		8813348	1
	WASHER – Inlet manifold ($\frac{5}{16}$ " copper)	1600, 1760 Eng.		115308	1
	STUD – Exhaust manifold	1760 Eng.		7082902	2
	NUT – Exhaust pipe to manifold	4 Cyl. exc. 1600 Eng.		355827	2-4
	NUT – Exhaust pipe to manifold	1600 Eng.		9963031	2
	STUD – Inlet and exhaust manifold	6 Cyl. Eng.		7429476	4
	STUD – Manifold locating	6 Cyl. Eng.		3835487	2
	STUD – Exhaust pipe to manifold	6 Cyl. Eng.		7414906	2-4
	NUT – Exhaust pipe to manifold	6 Cyl. Eng.		3829086	2-4
				<i>CAN USE BRASS 115-772</i>	
3.276	WASHER – Manifold				
	WASHER – Exhaust manifold to cyl. head	4 Cyl. Eng.		6360873	5-8
	WASHER – Brace to manifold	70 Eng.		6360873	1
	PLATE – Manifold locking	1600 Eng.		7204469	4
	PLATE – Manifold locking	1760 Eng.		8813471	8
3.288	STUD – Carburettor to manifold				
	STUD	70 Eng.		6366860	2
	STUD	1160, 1300, 1600 Eng.		6399119	2
	STUD	1760 Eng.		8813348	2
	STUD	6 Cyl. exc. XU1 Eng.		7429464	2
	STUD	XU1 Eng.		447144	12
3.402	AIR CLEANER and SILENCER				
	AIR CLEANER & SILENCER ASSY.	1160, 70 Eng.		7436987	1
	AIR CLEANER & SILENCER ASSY.	1300 Eng.		2822822	1
	AIR CLEANER & SILENCER ASSY.	1600, 1760 Eng.		7987826	1
	TRANSFER	1600 Eng.		2825326	1
	TRANSFER	1760 Eng.		9930186	1
	AIR CLEANER & SILENCER ASSY. – Single element	2250, 2850 Eng.		⁽⁹²⁾ 2815942	1
	AIR CLEANER & SILENCER ASSY. – Single element	3300 exc. XU1 Eng.		⁽⁹²⁾ 2822633	1
	AIR CLEANER & SILENCER ASSY. – Single element	6 Cyl. exc. XU1 Eng.		⁽⁹³⁾ 9935024	1
	AIR CLEANER & SILENCER ASSY. – Dual element.	6 Cyl. exc. XU1 Eng.		⁽⁹²⁾ 7438769	1
	AIR CLEANER & SILENCER ASSY. – Dual element.	6 Cyl. exc. XU1 Eng.		⁽⁹³⁾ 9934675	1
	AIR CLEANER & SILENCER ASSY.	XU1 Eng.		2823550	3
	TRANSFER – Heavy duty air cleaner	6 Cyl. exc. XU1 Eng.		⁽⁹³⁾ 9935203	1
3.403	BRIDGE, ROD, CLAMP, GASKET – Air cleaner				
	CLAMP	1160, 70, 1300 Eng.		7414605	1
	ADAPTOR – Air cleaner	70 Eng.		2820479	1
	GASKET – Air cleaner adaptor to carb.	70 Eng.		7176842	1
	CLAMP – Air cleaner	1600, 1760 Eng.		⁽¹⁰⁹⁾ 7419667	1
	ROD – Air cleaner	1600, 1760 Eng.		⁽¹⁰⁹⁾ 7419668	1
	ADAPTOR – Air cleaner to carburettor	1600, 1760 Eng.		⁽¹⁰⁹⁾ 2822125	1
	CLAMP – Adaptor to carburettor	1600, 1760 Eng.		⁽¹⁰⁹⁾ 7419667	1

Note: ⁽⁹²⁾ Prior to A.D.R.27.
⁽⁹³⁾ With A.D.R. 27.
⁽¹⁰⁹⁾ Use with Metal Air Cleaner

HOLDEN "LJ" PARTS CATALOGUE

GROUP	DESCRIPTION	MODEL	SIDE	PART No.	QTY.
3.403	BRIDGE, ROD, CLAMP, GASKET – Air cleaner (contd.)				
	ROD	6 Cyl. exc. XU1 Eng.		7419668	1
	CLAMP – Single element cleaner	6 Cyl. exc. XU1 Eng.		7419667	1
	CLAMP – Dual element cleaner	6 Cyl. exc. XU1 Eng.		⁽⁹²⁾ 7419667	1
	BRIDGE ASSY. – Dual element cleaner	6 Cyl. exc. XU1 Eng.		⁽⁹²⁾ 7426133	1
	GASKET – Air cleaner to carburettor	XU1 Eng.		8850037	3
3.410	ELEMENT, NUT, CLIP, SCREW – Air cleaner				
	ELEMENT	1160, 70, 1300 Eng.		7441635	1
	SCREW – Cover to base	1160, 70, 1300 Eng.		144531	1
	ELEMENT	1600, 1760 Eng.		⁽¹⁰⁹⁾ 7422739	1
	NUT – Wing, ¼" – 20	1600, 1760 Eng.		⁽¹⁰⁹⁾ SP1352	1
	ELEMENT	1600, 1760 Eng.		⁽¹¹⁰⁾ PBV	1
	GASKET – Element seating	1600, 1760 Eng.		⁽¹¹⁰⁾ 7955504	2
	SCREW – Cover centre	1600, 1760 Eng.		⁽¹¹⁰⁾ 7972823	3
	SCREW – Cover perimeter	1600, 1760 Eng.		⁽¹¹⁰⁾ 7980033	4
	ELEMENT	6 Cyl. exc. XU1 Eng.		7422739	1
	ELEMENT – Paper – Dual element cleaner	6 Cyl. exc. XU1 Eng.		⁽⁹²⁾ 7414198	1
	ELEMENT – Foam rubber – Dual element cleaner ...	6 Cyl. exc. XU1 Eng.		⁽⁹²⁾ 7426139	1
	ELEMENT – Foam rubber – Dual element cleaner ...	6 Cyl. exc. XU1 Eng.		⁽⁹³⁾ 9934169	1
	BREATHING ASSY.	6 Cyl. exc. XU1 Eng.		⁽⁹³⁾ 6484966	1
	RETAINER – Breather	6 Cyl. exc. XU1 Eng.		⁽⁹³⁾ 6420265	1
	COVER – Dual element cleaner	6 Cyl. exc. XU1 Eng.		⁽⁹²⁾ 7426135	1
	CLIP – Cover – Dual element cleaner	6 Cyl. exc. XU1 Eng.		⁽⁹²⁾ 7426148	1
	BOLT – Dual element cleaner	6 Cyl. exc. XU1 Eng.		⁽⁹²⁾ 7426138	1
	NUT – Wing ¼" – 20	2250, 2850 Eng.		SP1352	1
	NUT – Wing, ¼" – 20 chrome plated	3300 exc. XU1 Eng.		SP1919	1
	ELEMENT	XU1 Eng.		7441635	3
	COVER – Upper	XU1 Eng.		2823367	3
	BASE	XU1 Eng.		2823397	3
	STUD	XU1 Eng.		2823677	6
	NUT – Wing, ¼" – 20	XU1 Eng.		SP2162	6
3.430	COMPONENTS – Throttle control linkage				
	SHAFT & BRACKET ASSY. – Lower cross	1160 Eng.		2822203	1
	ROD – Accelerator control push	1160 Eng.		7439326	1
	CLIP – Control rod	1160 Eng.		7438095	2
	SHAFT & LEVER ASSY. – Relay	1160 Eng.		2809647	1
	SPRING – Relay shaft anti-rattle	1160 Eng.		2808560	1
	BRACKET – Relay shaft support	1160 Eng.		7439336	1
	LEVER ASSY. – Relay extension	1160 Eng.		2805970	1
	BUSHING – Pull rod to relay lever extension	1160 Eng.		3794377	1
	SLEEVE – Pull rod to relay lever extension	1160 Eng.		3707713	1
	TRUNNION – Pull rod to relay lever extension	1160 Eng.		7438157	1
	ROD ASSY. – Accelerator control pull	1160 Eng.		7439329	1
	CLIP – Pull rod to torsion rod assy.	1160 Eng.		7438095	1
	BRACKET – Torsion rod bearing support	1160 Eng.		7439335	1
	BEARING – Torsion rod	1160 Eng.		2815152	1
	RETAINER – Torsion rod bearing	1160 Eng.		7439334	2
	SPACER – Torsion rod bearing	1160 Eng.		2808953	1
	ROD & LEVER ASSY. – Throttle torsion	1160 Eng.		7439330	1
	SPRING – Torsion rod to carb. anti-rattle	1160 Eng.		346331	1
	CLIP – Torsion rod to carb.	1160 Eng.		6317961	1
	SHAFT & BRACKET ASSY. – Lower cross	(M) 70 Eng.		2822203	1
	SHAFT & BRACKET ASSY. – Lower cross	(A) 70 Eng.		2823106	1
	ROD – Accelerator control push	70 Eng.		7439326	1
	CLIP – Control rod	70 Eng.		7438095	2
	SHAFT & LEVER ASSY. – Relay	70 Eng.		2810289	1
	SPRING – Relay shaft anti-rattle	70 Eng.		2808560	1
	BRACKET – Relay shaft support	70 Eng.		7439336	1
Note:	⁽⁹²⁾ Prior to A.D.R.27.				
	⁽⁹³⁾ With A.D.R. 27.				
	⁽¹⁰⁹⁾ Use with Metal Air Cleaner				
	⁽¹¹⁰⁾ Use with Plastic Air Cleaner				

HOLDEN "LJ" PARTS CATALOGUE

GROUP	DESCRIPTION	MODEL	SIDE	PART No.	QTY.
3.430	COMPONENTS – Throttle control linkage (contd.)				
	LEVER ASSY. – Relay extension	70 Eng.		2805970	1
	BUSHING – Pull rod to relay lever extension	70 Eng.		3794377	1
	SLEEVE – Pull rod to relay lever extension	70 Eng.		3707713	1
	TRUNNION – Pull rod to relay lever extension	70 Eng.		7438157	1
	ROD ASSY. – Accelerator control pull	70 Eng.		2808559	1
	CLIP – Pull rod to torsion rod assy.	70 Eng.		7438095	1
	BRACKET – Torsion rod bearing support	70 Eng.		7439335	1
	BEARING – Torsion rod	70 Eng.		2815152	1
	RETAINER – Torsion rod bearing	70 Eng.		7439334	2
	SPACER – Torsion rod bearing retainer	70 Eng.		2808953	1
	ROD & LEVER ASSY. – Throttle torsion	70 Eng.		2813327	1
	SPRING – Torsion rod to carb. anti-rattle	70 Eng.		346331	1
	CLIP – Torsion rod to carb.	70 Eng.		6317961	2
	SHAFT & BRACKET ASSY. – Lower cross	(M) 1300 Eng.		2822203	1
	SHAFT & BRACKET ASSY. – Lower cross	(A) 1300 Eng.		2823106	1
	ROD – Accelerator control push	1300 Eng.		7439326	1
	CLIP – Control rod	1300 Eng.		7438095	1
	SHAFT & LEVER ASSY. – Relay	1300 Eng.		2809647	1
	SPRING – Relay shaft anti-rattle	1300 Eng.		2808560	1
	BRACKET – Relay shaft support	1300 Eng.		7439336	1
	LEVER ASSY. – Relay extension	1300 Eng.		2805970	1
	BUSHING – Pull rod to relay lever extension	1300 Eng.		3794377	1
	SLEEVE – Pull rod to relay lever extension	1300 Eng.		3707713	1
	TRUNNION – Pull rod to relay lever extension	1300 Eng.		7438157	1
	ROD ASSY. – Accelerator control pull	1300 Eng.		7439329	1
	CLIP – Pull rod to torsion rod assy.	1300 Eng.		7438095	1
	BRACKET – Torsion rod bearing support	1300 Eng.		7439335	1
	BEARING – Torsion rod	1300 Eng.		2815152	1
	RETAINER – Torsion rod bearing	1300 Eng.		7439334	2
	SPACER – Torsion rod bearing	1300 Eng.		2808953	1
	ROD & LEVER ASSY. – Throttle torsion	1300 Eng.		7439330	1
	SPRING – Torsion rod to carb. anti-rattle	1300 Eng.		346331	1
	CLIP – Torsion rod to carb.	1300 Eng.		6317961	1
	SHAFT & BRACKET ASSY. – Lower cross	(M) 1600, 1760 Eng.		2822203	1
	SHAFT & BRACKET ASSY. – Lower cross	(A) 1600, 1760 Eng.		2823106	1
	ROD – Accelerator control push	1600, 1760 Eng.		7439326	1
	CLIP – Control rod	1600, 1760 Eng.		7438095	2
	SHAFT & LEVER ASSY. – Relay	1600, 1760 Eng.		2810289	1
	SPRING – Relay shaft anti-rattle	1600, 1760 Eng.		2808560	1
	BRACKET – Relay shaft support	1600, 1760 Eng.		7439336	1
	LEVER ASSY. – Relay extension	1600, 1760 Eng.		2805970	1
	BUSHING – Pull rod to relay lever extension	1600, 1760 Eng.		3794377	1
	SLEEVE – Pull rod to relay lever extension	1600, 1760 Eng.		3707713	1
	TRUNNION – Pull rod to relay lever extension	1600, 1760 Eng.		7438157	1
	ROD – Accelerator control pull	1600, 1760 Eng.		2823601	1
	CLIP – Pull rod to torsion rod	1600, 1760 Eng.		7403387	1
	BRACKET – Torsion rod bearing support	1600, 1760 Eng.		7439335	1
	BEARING – Torsion rod	1600, 1760 Eng.		2815152	1
	RETAINER – Torsion rod bearing	1600, 1760 Eng.		7439334	2
	SPACER – Torsion rod bearing retainer	1600, 1760 Eng.		2808953	1
	ROD – Throttle torsion	1600, 1760 Eng.		2823385	1
	SPRING – Torsion rod to carb. anti-rattle	1600, 1760 Eng.		346331	1
	CLIP – Torsion rod to carb.	1600, 1760 Eng.		6317961	1
	SHAFT & BRACKET ASSY. – Lower cross	(M) 2250, 2850 Eng.	RIGHT HAND DRIVE	2822203	1
	SHAFT & BRACKET ASSY. – Lower cross	(A) 2250, 2850 Eng.	RIGHT HAND DRIVE	2823106	1
	ROD – Accelerator control push	2250, 2850 Eng.	RIGHT HAND DRIVE	7439326	1
	CLIP – Control rod	2250, 2850 Eng.	RIGHT HAND DRIVE	7438095	2
	SHAFT & LEVER ASSY. – Relay	2250, 2850 Eng.	RIGHT HAND DRIVE	2810289	1
	SPRING – Relay shaft anti-rattle	2250, 2850 Eng.	RIGHT HAND DRIVE	2808560	1
	BRACKET – Relay shaft support	2250, 2850 Eng.	RIGHT HAND DRIVE	7439336	1
	LEVER ASSY. – Relay extension	2250, 2850 Eng.	RIGHT HAND DRIVE	2805970	1
	BUSHING – Pull rod to relay lever extension	2250, 2850 Eng.	RIGHT HAND DRIVE	3794377	1
	SLEEVE – Pull rod to relay lever extension	2250, 2850 Eng.	RIGHT HAND DRIVE	3707713	1
	TRUNNION – Pull rod to relay lever extension	2250, 2850 Eng.	RIGHT HAND DRIVE	7438157	1

HOLDEN "LJ" PARTS CATALOGUE

GROUP	DESCRIPTION	MODEL	SIDE	PART No.	QTY.
3.430	COMPONENTS – Throttle control linkage (contd.)				
	ROD ASSY. – Accelerator control pull	2250, 2850 Eng.	RIGHT HAND DRIVE	2815670	1
	CLIP – Pull rod to torsion rod assy.	2250, 2850 Eng.	RIGHT HAND DRIVE	7403054	1
	BRACKET – Torsion rod bearing support	2250, 2850 Eng.	RIGHT HAND DRIVE	7449664	1
	BEARING – Torsion rod	2250, 2850 Eng.	RIGHT HAND DRIVE	7448698	1
	SUPPORT – Torsion rod bearing	2250, 2850 Eng.	RIGHT HAND DRIVE	7448697	1
	ROD ASSY. – Carb. actuating torsion	2250, 2850 Eng.	RIGHT HAND DRIVE	2818510	1
	CLIP – Torsion rod to carb.	2250, 2850 Eng.	RIGHT HAND DRIVE	7403387	1
	SPRING – Torsion rod to carburettor bracket	2250, 2850 Eng.	RIGHT HAND DRIVE	7428865	1
	LEVER, BEARING & ROD ASSY. – Throttle	(M)	LEFT HAND DRIVE	2810107	1
	LEVER, BEARING & ROD ASSY. – Throttle	(A) 2250, 2850 Eng. ...	LEFT HAND DRIVE	2820476	1
	ROD – Throttle control pull		LEFT HAND DRIVE	2810102	1
	CLIP – Pull rod to lever, bearing & rod assy.		LEFT HAND DRIVE	7403387	1
	TRUNNION – Pull rod to relay lever		LEFT HAND DRIVE	2815801	1
	LEVER ASSY. – Throttle relay		LEFT HAND DRIVE	2816221	1
	PIVOT – Relay lever		LEFT HAND DRIVE	7429465	1
	WASHER – Relay lever anti-rattle		LEFT HAND DRIVE	7400949	2
	ROD – Relay lever to carb.		LEFT HAND DRIVE	2811753	1
	SHAFT & BRACKET ASSY. – Lower cross	(M) 3300 exc. XU1 Eng.		2822203	1
	SHAFT & BRACKET ASSY. – Lower cross	(A) 3300 Eng.		2823106	1
	ROD – Accelerator control push	3300 exc. XU1 Eng.		7439326	1
	CLIP – Control rod	3300 exc. XU1 Eng.		7438095	2
	SHAFT & LEVER ASSY. – Relay	3300 exc. XU1 Eng.		2810289	1
	SPRING – Relay shaft anti-rattle	3300 exc. XU1 Eng.		2808560	1
	BRACKET – Relay shaft support	3300 exc. XU1 Eng.		7439336	1
	LEVER ASSY. – Relay extension	3300 exc. XU1 Eng.		2805970	1
	ROD ASSY. – Accelerator control pull	3300 exc. XU1 Eng.		2815670	1
	CLIP – Pull rod to torsion lever	3300 exc. XU1 Eng.		7403054	1
	BUSHING – Pull rod to relay lever extension	3300 exc. XU1 Eng.		3794377	1
	SLEEVE – Pull rod to relay lever extension	3300 exc. XU1 Eng.		3707713	1
	TRUNNION – Pull rod to relay lever extension	3300 exc. XU1 Eng.		7438157	1
	BRACKET – Torsion rod bearing support	3300 exc. XU1 Eng.		7449664	1
	BEARING – Torsion rod	3300 exc. XU1 Eng.		7448698	1
	SUPPORT – Torsion rod bearing	3300 exc. XU1 Eng.		7448697	1
	ROD ASSY. – Carb. actuating torsion	3300 exc. XU1 Eng.		2818510	1
	CLIP – Torsion rod to carburettor bracket	3300 exc. XU1 Eng.		7403387	1
	SPRING – Torsion rod to carburettor bracket	3300 exc. XU1 Eng.		7428865	1
	SHAFT & BRACKET ASSY. – Lower cross	XU1 Eng.		2822203	1
	ROD – Accelerator control push	XU1 Eng.		7439326	1
	CLIP – Control rod	XU1 Eng.		7438095	2
	SHAFT & LEVER ASSY. – Relay	XU1 Eng.		2810289	1
	SPRING – Relay shaft anti-rattle	XU1 Eng.		2808560	1
	BRACKET – Relay shaft support	XU1 Eng.		7439336	1
	LEVER ASSY. – Relay extension	XU1 Eng.		2805970	1
	BUSHING – Pull rod to relay lever extension	XU1 Eng.		3794377	1
	SLEEVE – Pull rod to relay lever extension	XU1 Eng.		3707713	1
	TRUNNION – Pull rod to relay lever extension	XU1 Eng.		7438157	1
	ROD ASSY. – Accelerator control pull	XU1 Eng.		2815670	1
	CLIP – Pull rod to torsion rod assy.	XU1 Eng.		7403054	1
	BRACKET – Torsion rod bearing support	XU1 Eng.		7449664	1
	BEARING – Torsion rod	XU1 Eng.		7448698	1
	SUPPORT – Torsion rod bearing	XU1 Eng.		7448697	1
	ROD ASSY. – Torsion	XU1 Eng.		2823368	1
	CLIP – Torsion rod to relay shaft	XU1 Eng.		7403054	1
	SHAFT ASSY. – Relay	XU1 Eng.		2815945	1
	BRACKET – Relay shaft support, front	XU1 Eng.		2823147	1
	BRACKET – Relay shaft support, rear	XU1 Eng.		2823148	1
	RETAINER – Relay shaft bearing	XU1 Eng.		7439334	4
	SLEEVE – Relay shaft bearing	XU1 Eng.		7224484	2
	ROD – Carburettor push	XU1 Eng.		2815946	1
	CLIP – Push rod to relay shaft	XU1 Eng.		7438096	1

HOLDEN "LJ" PARTS CATALOGUE

GROUP	DESCRIPTION	MODEL	SIDE	PART No.	QTY.
3.430	COMPONENTS – Throttle control linkage (contd.)				
	CLIP – Push rod to carb. lever	XU1 Eng.		7438095	1
	ROD – Carburettor adjusting	XU1 Eng.		2815947	2
	TRUNNION – Adjusting rod	XU1 Eng.		2816023	2
	NUT – Adjusting rod	XU1 Eng.		2815948	2
	CLIP – Push rod to carb. lever	XU1 Eng.		7438095	2
3.451	PEDAL – Accelerator				
	PEDAL		RIGHT HAND DRIVE	2815916	1
	PIN – Pedal to lever		RIGHT HAND DRIVE	2814047	1
	PAD – Accelerator pedal		LEFT HAND DRIVE	2810111	1
3.459	SPRING – Accelerator				
	SPRING – Pedal tension		RIGHT HAND DRIVE	3909982	1
	SPRING – Return	1160 Eng.		7439332	1
	SPRING – Return	70 Eng.		7439732	1
	SPRING – Return		LEFT HAND DRIVE	2812896	1
	BRACKET – Support		RIGHT HAND DRIVE	7439844	1
			LEFT HAND DRIVE	7430160	1
3.521	CONTROL – Choke				
	CONTROL ASSY.	1160, 70, 1300, 1760 Eng.		2825456	1
	CONTROL ASSY.	(M) 1600 Eng.		2825456	1
	CONTROL ASSY.	6 Cyl. exc. XU1 Eng.			
			RIGHT HAND DRIVE	2823095	1
			LEFT HAND DRIVE	2819552	1
	NUT – Control to instrument panel		LEFT HAND DRIVE	7416683	1
	WASHER – Control to instrument panel		LEFT HAND DRIVE	7426223	1
	O-RING – Control to instrument panel		LEFT HAND DRIVE	7430136	1
	GROMMET – Choke control to dash panel	Exc. XU1 Eng.		1039278	1
	CONTROL ASSY.	XU1 Eng.		2823420	1
	CABLE ASSY. – Front	XU1 Eng.		2816995	1
	CABLE ASSY. – Rear	XU1 Eng.		2816996	1
	CLAMP – Choke cable, front	XU1 Eng.		2816997	1
	CLAMP – Choke cable, rear	XU1 Eng.		2817000	1
	CONDUIT – Choke cable, centre	XU1 Eng.		2817037	1
	CONNECTOR – Choke cable	XU1 Eng.		2816999	1
	PLATE – Choke cable junction	XU1 Eng.		2816998	1
	GROMMET – Choke control to dash panel	XU1 Eng.		1039278	1
	STRAP – Choke cables to booster hose	XU1 Eng.		7436769	1
3.601	MANIFOLD – Exhaust				
	MANIFOLD ASSY.	1160, 70 Eng.		7154311	1
	MANIFOLD ASSY.	1300 Eng.		6366811	1
	MANIFOLD ASSY.	1600 Eng.		2703411	1
	MANIFOLD ASSY.	1760 Eng.		8816636	1
	MANIFOLD ASSY.	6 Cyl. exc. XU1 Eng.		7429514	1
	MANIFOLD ASSY. – Front	XU1 Eng.		⁽⁸⁹⁾ 7428493	1
	MANIFOLD ASSY. – Rear	XU1 Eng.		⁽⁸⁹⁾ 7430583	1
	MANIFOLD ASSY. – Front	XU1 Eng.		⁽⁹⁰⁾ 9934059	1
	MANIFOLD ASSY. – Rear	XU1 Eng.		⁽⁹⁰⁾ 9934060	1
3.609	PIPE – Exhaust				
	PIPE ASSY.	(M) 1160, 1300 Eng.		7439072	1
	PIPE & RESONATOR ASSY.	1160, 1300 Eng.		7439093	1
	PIPE ASSY.	70 Eng.		2806453	1
	PIPE & RESONATOR ASSY.	70 Eng.		7439920	1
	PIPE ASSY.	(A) 1300 Eng.		2824736	1
	PIPE ASSY. – 2" Centres	1600 Eng.		2822794	1
	PIPE ASSY. – 2 1/4" Centres	1600 Eng.		9928836	1
	PIPE ASSY.	1760 Eng.		9928834	1

Note: ⁽⁸⁹⁾ Up to Eng. No. JP386597.

⁽⁹⁰⁾ From Eng. No. JP386598.

HOLDEN "LJ" PARTS CATALOGUE

GROUP	DESCRIPTION	MODEL	SIDE	PART No.	QTY.
3.609	PIPE – Exhaust (contd.)				
	PIPE & RESONATOR ASSY.	1600, 1760 Eng.		7439920 ✓	1
	PIPE ASSY.	(M) 3 Sp. Trans. 6 Cyl. Eng. RIGHT HAND DRIVE		(¹¹² 2806718)	1
		LEFT HAND DRIVE		2809596	1
	PIPE ASSY.	(A) 6 Cyl. Eng.	RIGHT HAND DRIVE	(¹¹² 2806718)	1
		LEFT HAND DRIVE		2809596	1
	PIPE ASSY.	(M) 4 Sp. Trans. 6 Cyl. exc. XU1 Eng. RIGHT HAND DRIVE		(¹¹² 2806718)	1
		LEFT HAND DRIVE		2809595	1
	PIPE ASSY.	6 Cyl. exc. XU1 Eng. RIGHT HAND DRIVE		(¹¹³ 9928837)	1
	PIPE & RESONATOR ASSY.	311, 369, 569		2806552	1
	PIPE & RESONATOR ASSY.	911 exc. XU1 Eng.		2822662	1
	PIPE & RESONATOR ASSY. – Front	XU1 Eng.		(⁸⁹ 9928835)	1
	PIPE ASSY. – Front	XU1 Eng.		(⁸⁰ 9934062)	1
	PIPE ASSY. – Rear 2" O/D	XU1 Eng.		2816103	1
3.610	FLANGE – Exhaust pipe packing				
	FLANGE	1160, 1300 Eng.		6376634	1
	FLANGE	1760 Eng.		6311131	1
	FLANGE	6 Cyl. exc. XU1 Eng.		7429539	1
3.611	PACKING – Exhaust pipe				
	PACKING	1160, 70, 1300 Eng.		6376635	1-2
	PACKING	1600 Eng.		9962023	2
	PACKING	1760 Eng.		2692073	1
	PACKING	6 Cyl. exc. XU1 Eng.		7429532	1
	PACKING	XU1 Eng.		7401483	2
3.616	CLAMP, "U" BOLT – Exhaust pipe				
	CLAMP – Pipe to resonator	1160, 1300 Eng.		6319890	3
	"U" BOLT – Pipe to resonator	1160, 1300 Eng.		6319892	3
	CLAMP – Pipe and resonator assy. to muffler	1160, 1300 Eng.		6319890	3
	"U" BOLT – Pipe and resonator assy. to muffler	1160, 1300 Eng.		6319892	3
	CLAMP – Pipe to resonator	70, 1600, 1760 Eng.		7421297	1
	"U" BOLT – Pipe to resonator	70, 1600, 1760 Eng.		7421296	1
	CLAMP – Pipe and resonator assy. to muffler	70, 1600, 1760 Eng.		7421297	1
	"U" BOLT – Pipe and resonator assy. to muffler	70, 1600, 1760 Eng.		7421296	1
	CLAMP – Pipe to resonator	6 Cyl. exc. XU1 Eng.		7405970	1
	"U" BOLT – Pipe to resonator	6 Cyl. exc. XU1 Eng.		7429537	1
	CLAMP and "U" BOLT PACKAGE	6 Cyl. exc. XU1 Eng.		7406169	1
	CLAMP – Pipe and resonator assy. to muffler	311, 369, 569		7429798	1
	"U" BOLT – Pipe and resonator assy. to muffler	311, 369, 569		7429805	1
	CLAMP AND "U" BOLT PACKAGE	311, 369, 569		2822051	1
	CLAMP – Pipe and resonator assy. to muffler	911 exc. XU1 Eng.		7405970	1
	"U" BOLT – Pipe and resonator assy. to muffler	911 exc. XU1 Eng.		7429537	1
	CLAMP AND "U" BOLT PACKAGE	911 exc. XU1 Eng.		7406169	1
	CLAMP – Pipe and resonator assy. to rear pipe	XU1 Eng.		7433738	1
	"U" BOLT – Pipe and resonator assy. to rear pipe	XU1 Eng.		7433737	1
	CLAMP – Rear pipe to muffler	XU1 Eng.		7433738	1
	"U" BOLT – Rear pipe to muffler	XU1 Eng.		7433737	1
	CLAMP AND "U" BOLT PACKAGE	XU1 Eng.		7436220	2

Note: (⁸⁹ Up to Eng No. JP386597.
(⁹⁰ From Eng. No. JP386598.
(¹¹² Prior to A.D.R. 10B.
(¹¹³ Use with A.D.R. 10B.

HOLDEN "LJ" PARTS CATALOGUE

GROUP	DESCRIPTION	MODEL	SIDE	PART No.	QTY.
3.701	MUFFLER				
	MUFFLER ASSY.	1160, 1300 Eng.		7439124	1
	MUFFLER ASSY.	70, 1600, 1760 Eng.		7439922	1
	MUFFLER ASSY.	311, 369, 569		2825510	1
	MUFFLER ASSY.	'911 .exc. XU1 Eng.		2824119	1
	MUFFLER ASSY.	XU1 Eng.		2823707	1
3.704	INSULATOR, SUPPORT, BRACKET, CLAMP – Muffler				
	INSULATOR – Front and rear	ALL		7431996	2
	SUPPORT – Front and rear	ALL		2811655	2
	SPACER – Front and rear	ALL		7433829	2
	BRACKET – Front and rear	ALL		7439105	2
	CLAMP – Rear support	4 Cyl. Eng.		7439121	1
	BRACKET – Front support	311, 369, 569		2810319	1
	CLAMP – Rear support	911		2815574	1
	BRACKET – Front support	XU1 Eng.		2816106	1
	BRACKET – Rear support	XU1 Eng.		2816107	1
3.720	HOSE, PIPE, BRACKET – Automatic choke heat				
	HOSE – Carburettor to inlet manifold – Inlet	(A) 1600 Eng.		8847888	1
	HOSE – Carburettor to inlet manifold – Outlet	(A) 1600 Eng.		8825574	1
	CONNECTOR – Inlet hose to manifold	(A) 1600 Eng.		8841736	1
3.724	GASKET KIT – Carburettor				
	GASKET KIT	1160 Eng.		VS10476	1
	GASKET KIT	70 Eng.		VS11688	1
	GASKET KIT	6 Cyl. exc. XU1 Eng.		⁽⁹²⁾ 7424535	1
	GASKET KIT	6 Cyl. exc. XU1 Eng.		⁽⁹³⁾ VS12468	1
	GASKET KIT	XU1 Eng.		VS11688	3
3.725	CARBURETTOR, REPAIR KIT, CAP				
	CARBURETTOR ASSY. – Zenith 30IZ	1160 Eng.		8816615	1
	CARBURETTOR ASSY. – Zenith 150CDS	70 Eng.		2812386	1
	CARBURETTOR ASSY.	(M) 1300 Eng.		2823692	1
	CARBURETTOR ASSY.	(A) 1300 Eng.		2823676	1
	CARBURETTOR ASSY. – Zenith 36IV	(M) 1600 Eng.		2703337	1
	CARBURETTOR ASSY. – Zenith 36IVT	(A) 1600 Eng.		2703338	1
	BRACKET – Micro switch	(A) 1600 Eng.		8849834	1
	SCREW – Carburettor ventilation	1600 Eng.		2696488	1
	CARBURETTOR ASSY.	1760 Eng.		2697908	1
	CARBURETTOR ASSY.	(M) 2250 Eng.	RIGHT HAND DRIVE	2815057	1
			LEFT HAND DRIVE	2822549	1
	CARBURETTOR ASSY.	(M) 2850 Eng.	RIGHT HAND DRIVE	⁽⁹²⁾ 2815053	1
			LEFT HAND DRIVE	2822547	1
	CARBURETTOR ASSY.	(A) 2250 Eng.	RIGHT HAND DRIVE	2818511	1
			LEFT HAND DRIVE	2822548	1
	CARBURETTOR ASSY.	(A) 2850 Eng.	RIGHT HAND DRIVE	⁽⁹²⁾ 2815054	1
			LEFT HAND DRIVE	2822546	1
	CARBURETTOR ASSY.	(M) 3300 exc. XU1 Eng.		⁽⁹²⁾ 2815055	1
	CARBURETTOR ASSY.	(A) 3300 Eng.	RIGHT HAND DRIVE	⁽⁹²⁾ 2815056	1
	CARBURETTOR ASSY.	(M) 2850 Eng.	RIGHT HAND DRIVE	⁽⁹³⁾ 9928675	1
	CARBURETTOR ASSY.	(A) 2850 Eng.	RIGHT HAND DRIVE	⁽⁹³⁾ 9928674	1
	CARBURETTOR ASSY.	(M) 3300 Eng. exc. XU1			
			RIGHT HAND DRIVE	⁽⁹³⁾ 9928677	1
	CARBURETTOR ASSY.	(A) 3300 Eng.	RIGHT HAND DRIVE	⁽⁹³⁾ 9928676	1
	CARBURETTOR ASSY.	XU1 Eng.		2824381	3
	SHIELD ASSY. – Heat	XU1 Eng.		2814896	1
	REPAIR KIT	1160 Eng.		VS10475	1
	REPAIR KIT	70 Eng.		VS12082	1
	REPAIR KIT – Major overhaul	2250 Eng.		VS12062	1

Note: ⁽⁹²⁾ Prior to A.D.R.27.
⁽⁹³⁾ With A.D.R. 27.

HOLDEN "LJ" PARTS CATALOGUE

GROUP	DESCRIPTION	MODEL	SIDE	PART No.	QTY.
3.725	CARBURETTOR, REPAIR KIT, CAP (contd.)				
	REPAIR KIT - Major overhaul	(M) 2850 Eng.		⁽⁹²⁾ VS12185	1
	REPAIR KIT - Major overhaul	(A) 2850 Eng.		VS12063	1
	REPAIR KIT - Major overhaul	(M) 3300 exc. XU1 Eng.		⁽⁹²⁾ VS12186	1
	REPAIR KIT - Major overhaul	(A) 3300 Eng.		VS12072	1
	REPAIR KIT - Major overhaul	2850, 3300 exc. XU1 Eng.			
			RIGHT HAND DRIVE	⁽⁹³⁾ VS12486	1
	REPAIR KIT - Minor overhaul	6 Cyl. exc. XU1 Eng.		⁽⁹²⁾ 7424575	1
	REPAIR KIT - Minor overhaul	2850, 3300 exc. XU1 Eng.			
			RIGHT HAND DRIVE	⁽⁹³⁾ VS12467	1
	REPAIR KIT	XU1 Eng.		VS12249	3
3.726	INSULATOR, GASKET - Carburettor heat and flange				
	INSULATOR ASSY. - Heat	1160 Eng.		7189847	1
	INSULATOR - Heat	70 Eng.		7169543	1
	INSULATOR - Heat	1300 Eng.		2694842	1
	INSULATOR - Heat	1600, 1760 Eng.		8825682	1
	INSULATOR - Heat	XU1 Eng.		7195924	3
	GASKET - Flange	1160, 1300 Eng.		6366862	2
	GASKET - Flange	70 Eng.		7169542	2
	GASKET - Flange	1600, 1760 Eng.		6360874	2
	GASKET - Flange	2250 Eng.		7424566	1
	GASKET - Flange	2850, 3300 exc. XU1 Eng.		⁽⁹²⁾ 7424567	1
	GASKET - Flange	2850, 3300 exc. XU1 Eng.			
			RIGHT HAND DRIVE	⁽⁹³⁾ 9930562	1
	GASKET - Flange	XU1 Eng.		7195926	6
3.727	BODY - Carburettor throttle				
	BODY ASSY.	(M) 2250 Eng.	RIGHT HAND DRIVE	VS12076	1
			LEFT HAND DRIVE	VS12192	1
	BODY ASSY.	(A) 2250 Eng.	RIGHT HAND DRIVE	VS12069	1
			LEFT HAND DRIVE	VS12191	1
	BODY ASSY.	(M) 2850, 3300 exc. XU1 Eng.			
			RIGHT HAND DRIVE	⁽⁹²⁾ VS12068	1
	BODY ASSY.	(M) 2850, 3300 exc. XU1 Eng.			
			RIGHT HAND DRIVE	⁽⁹³⁾ VS12487	1
	BODY ASSY.	(M) 2850 Eng.	LEFT HAND DRIVE	VS12190	1
	BODY ASSY.	(A) 2850, 3300 Eng.	RIGHT HAND DRIVE	⁽⁹²⁾ VS12077	1
	BODY ASSY.	(A) 2850, 3300 Eng.	RIGHT HAND DRIVE	⁽⁹³⁾ VS12486	1
	BODY ASSY.	(A) 2850 Eng.	LEFT HAND DRIVE	VS12189	1
3.729	VALVE - Carburettor throttle				
	VALVE	1160, 1300 Eng.		7152391	1
	SCREW - Valve attaching	1160, 1300 Eng.		7152393	2
	VALVE	70 Eng.		7194680	1
	SCREW - Valve attaching	70 Eng.		1039359	2
	VALVE	1600, 1760 Eng.		8815069	1
	SCREW - Valve attaching	1600, 1760 Eng.		1039359	2
	VALVE	2250 Eng.		7405173	1
	SCREW - Valve attaching	2250 Eng.		7405165	2
	VALVE	2850, 3300 exc. XU1 Eng.		⁽⁹²⁾ VS12122	1
	VALVE	2850, 3300 exc. XU1 Eng.		⁽⁹³⁾ VS12490	1
	SCREW - Valve attaching	2850, 3300 exc. XU1 Eng.		7405165	2
	VALVE	XU1 Eng.		VS12225	3
3.731	SHAFT, PLATE, LEVER - Carburettor throttle				
	SHAFT	1160 Eng.		7152392	1
	PLATE - Abutment	1160 Eng.		7152397	1
	WASHER - Sealing	1160 Eng.		7152394	1
	WASHER - Distance	1160 Eng.		7152395	1
	NUT	1160 Eng.		7152401	1

Note: ⁽⁹²⁾ Prior to A.D.R. 27.
⁽⁹³⁾ With A.D.R. 27.

HOLDEN "LJ" PARTS CATALOGUE

GROUP	DESCRIPTION	MODEL	SIDE	PART No.	QTY.
3.731	SHAFT, PLATE, LEVER – Carburettor throttle (contd.)				
	WASHER – Lock	1160 Eng.		7156401	1
	SHAFT – Suit 150CDS Carb.	70 Eng.		VS10877	1
	LEVER – Throttle, Suit 150CDS Carb.	70 Eng.		2680688	1
	SPRING – Throttle return, Suit 150CDS Carb.	70 Eng.		7194682	1
	NUT – Suit 150CDS Carb.	70 Eng.		7143956	1
	WASHER – Int. tooth $\frac{3}{16}$ " , Suit 150CDS Carb.	70 Eng.		115548	1
	SHAFT	1300 Eng.		2702276	1
	PLATE – Abutment	1300 Eng.		2688594	1
	WASHER – Sealing	1300 Eng.		7152394	1
	WASHER – Distance	1300 Eng.		7152395	1
	NUT	1300 Eng.		7152401	1
	WASHER – Lock	1300 Eng.		7156401	1
	SHAFT	1600, 1760 Eng.		8819298	1
	LEVER	1600 Eng.		2820608	1
	LEVER	1760 Eng.		2709558	1
	WASHER – Throttle lever	1600 Eng.		2808133	1
	SPRING – Throttle return	(M) 1600 Eng.		8815081	1
	SPRING – Throttle return	(A) 1600 Eng.		2680726	1
	WASHER – Spacing	1600 Eng.		7194679	1
	NUT – Throttle shaft	1600, 1760 Eng.		7143956	1
	LEVER ASSY. – Intermediate	(A) 1600 Eng.		VS12358	1
	WASHER – Intermediate lever	(A) 1600 Eng.		VS12356	1
	SCREW – Intermediate lever pivot	(A) 1600 Eng.		VS12355	1
	LEVER	6 Cyl. exc. XU1 Eng.			
		RIGHT HAND DRIVE		VS11816	1
	LEVER	2850, 3300 exc. XU1 Eng.			
		RIGHT HAND DRIVE		(⁹³ VS12492	1
	LEVER	6 Cyl. Eng.	LEFT HAND DRIVE	7424559	1
	SHAFT	6 Cyl. exc. XU1 Eng.		VS12488	1
	NUT	6 Cyl. exc. XU1 Eng.		7424617	1
	WASHER	6 Cyl. exc. XU1 Eng.		7424618	1
	SPRING – Lever return	6 Cyl. exc. XU1 Eng.			
		RIGHT HAND DRIVE		2825271	1
	SHAFT	XU1 Eng.		VS12226	3
	BUSH – Throttle shaft	XU1 Eng.		VS12246	6
	SEAL – Throttle shaft	XU1 Eng.		VS12247	6
	LEVER – Throttle	XU1 Eng.		2823269	3
	SPRING – Throttle return	XU1 Eng.		VS12237	3
	WASHER – Spacing	XU1 Eng.		VS12235	3
	NUT	XU1 Eng.		7088530	3
	WASHER – Internal tooth lock	XU1 Eng.		VS12234	3
3.732	LEVER – Carburettor actuating torsion				
	LEVER	1160, 1300 Eng.		7152398	1
3.734	SCREW, SPRING – Carburettor slow idle adjusting				
	SCREW	1160, 1300 Eng.		7152399	1
	SPRING	1160, 1300 Eng.		7152400	1
	SCREW – Suit 150CDS Carb.	70 Eng.		8815151	1
	SPRING – Suit 150CDS Carb.	70 Eng.		7194692	1
	SCREW	(M) 1600 Eng.		7156084	1
	SCREW	(A) 1600 Eng.		1010078	1
	SCREW	1760 Eng.		7156084	1
	SPRING	1600, 1760 Eng.		1019000	1
	SCREW	2250 Eng.		7405164	1
	SCREW	2850, 3300 exc. XU1 Eng.		(⁹² 7424554	1
	SCREW	2850, 3300 Eng.	RIGHT HAND DRIVE	(⁹³ VS12491	1
	SPRING	6 Cyl. exc. XU1 Eng.		(⁹ VS11815	1
	SCREW	XU1 Eng.		8815151	3
	SPRING	XU1 Eng.		7194692	3

Note: (⁹ Used on Engines with Engine Number prefix CB or CC.

(⁹² Prior to A.D.R.27.

(⁹³ With A.D.R. 27.

HOLDEN "LJ" PARTS CATALOGUE

GROUP	DESCRIPTION	MODEL	SIDE	PART No.	QTY.
3.735	CAM, SPRING, PIVOT, LEVER – Carburettor fast idle				
	CAM ASSY.	1160 Eng.		7162483	1
	SPRING – Cam return	1160 Eng.		7152425	1
	PIVOT – Cam	1160 Eng.		7152424	1
	CAM ASSY.	1300 Eng.		2688596	1
	SPRING – Cam return	1300 Eng.		7152425	1
	PIVOT – Cam	1300 Eng.		7152424	1
	CAM	6 Cyl. exc. XU1 Eng. RIGHT HAND DRIVE		VS11814	1
	CAM	6 Cyl. Eng.LEFT HAND DRIVE		VS10248	1
	LEVER	6 Cyl. exc. XU1 Eng. RIGHT HAND DRIVE		VS11813	1
	LEVER	6 Cyl. Eng.LEFT HAND DRIVE		VS12154	1
3.736	PIN – Carburettor fast idle cam				
	PIN	6 Cyl. exc. XU1 Eng. RIGHT HAND DRIVE		VS11812	1
	PIN	6 Cyl. Eng.LEFT HAND DRIVE		7405111	1
	PIN – Cotter, $\frac{1}{16}$ " – $\frac{3}{8}$ "	6 Cyl. exc. XU1 Eng. LEFT HAND DRIVE		7405140	1
3.737	SCREW, NUT – Carburettor fast idle				
	SCREW – Suit 150CDS Carb.	70 Eng.		8815152	1
	NUT – Lock, Suit 150CDS Carb.	70 Eng.		7156108	1
	SCREW	(A) 1600 Eng.		7190307	1
	SCREW	XU1 Eng.		8815152	3
	NUT – Lock	XU1 Eng.		7156108	3
3.741	VALVE – Carburettor needle				
	VALVE	1160, 1300 Eng.		7152402	1
	VALVE	1600, 1760 Eng.		7156085	1
	VALVE	6 Cyl. exc. XU1 Eng.		⁽⁹²⁾ 7405174	1
	VALVE	2850, 3300 exc. XU1 Eng. RIGHT HAND DRIVE		⁽⁹²⁾ VS12489	1
3.742	SPRING – Carburettor idle needle valve				
	SPRING	1160, 1300 Eng.		7152400	1
	SPRING	1600, 1760 Eng.		7052415	1
	SPRING	6 Cyl. exc. XU1 Eng.		7405171	1
3.748	BODY – Carburettor main				
	BODY ASSY.	1160 Eng.		7214411	1
	BODY ASSY.	2250 Eng.		VS12066	1
	BODY ASSY.	2850 Eng.		⁽⁹²⁾ VS12065	1
	BODY ASSY.	3300 exc. XU1 Eng.		⁽⁹²⁾ VS12460	1
	BODY ASSY.	2850, 3300 exc. XU1 Eng. RIGHT HAND DRIVE		⁽⁹²⁾ VS12471	1
	SCREW & LOCK WASHER ASSY.	6 Cyl. exc. XU1 Eng.		⁽⁹²⁾ 7405163	2
	SCREW	2850, 3300 exc. XU1 Eng. RIGHT HAND DRIVE		⁽⁹²⁾ VS11321	2
	WASHER	2850, 3300 exc. XU1 Eng. RIGHT HAND DRIVE		⁽⁹²⁾ VS11322	2
	SPACER – Insulating	6 Cyl. exc. XU1 Eng.		7405168	1
	SPACER – Insulating	2850, 3300 exc. XU1 Eng. RIGHT HAND DRIVE		⁽⁹²⁾ VS12477	1
3.749	GASKET – Carburettor float chamber				
	GASKET – Float chamber, suit 150CDS carb.	70 Eng.		8815158	1
	GASKET – Float chamber	XU1 Eng.		8815158	3

Note: ⁽⁹²⁾ Prior to A.D.R.27.
⁽⁹³⁾ With A.D.R. 27.

HOLDEN "LJ" PARTS CATALOGUE

GROUP	DESCRIPTION	MODEL	SIDE	PART No.	QTY.
3.749	GASKET – Carburettor main body				
	GASKET – Main body	6 Cyl. exc. XU1 Eng.		(⁹² 7405143	2
	GASKET – Main body	2850, 3300 exc. XU1 Eng.			
			RIGHT HAND DRIVE	(⁹³ VS12475	1
	GASKET – Throttle body	2850, 3300 exc. XU1 Eng.			
			RIGHT HAND DRIVE	(⁹³ VS12476	1
3.751	BLEEDER – Carburettor high speed				
	BLEEDER	6 Cyl. exc. XU1 Eng.		7405109	1
3.752	TUBE – Carburettor emulsion, idle				
	TUBE – Emulsion	1300 Eng.		2709546	1
	TUBE – Idle	2250 Eng.		VS12070	1
	TUBE – Idle	(M) 2850 Eng.		(⁹² VS12116	1
	TUBE – Idle	(A) 2850 Eng.		(⁹² VS12070	1
	TUBE – Idle	3300 exc. XU1 Eng.		(⁹² VS12116	1
	TUBE – Idle (Size 60)	2850, 3300, exc. XU1 Eng.			
			RIGHT HAND DRIVE	(⁹³ VS12507	1
	TUBE – Idle (Size 62)	2850, 3300 exc. XU1 Eng.			
			RIGHT HAND DRIVE	(⁹³ VS12642	1
3.752	JET – Pilot, slow running				
	JET – Pilot (Size 50)	1160, 1300 Eng.		7214414	1
	JET – Pilot (Size 55)	1300 Eng.		8830992	1
	FILTER – Pilot jet	1160, 1300 Eng.		7214415	1
	SEAL – Pilot jet	1160, 1300 Eng.		7152410	1
	JET – Slow running	1600 Eng.		7143980	1
	JET – Slow running	1760 Eng.		7194563	1
3.752	BLOCK – Carburettor emulsion				
	BLOCK – Emulsion	1600, 1760 Eng.		2680674	1
	RING – Sealing	1600, 1760 Eng.		7156086	1
	SCREW – Fixing	1600, 1760 Eng.		7156113	2
3.753	ROD – Carburettor volume restrictor				
	ROD	2250 Eng.		7420258	1
3.754	JET – Carburettor main metering, orifice, main discharge				
	WASHER – Main jet	1160 Eng.		7162796	1
	NOZZLE – Main body spray	1160 Eng.		VS10887	1
	JET ASSY. – Main metering (110)	(M) 1300 Eng.		VS12273	1
	WASHER – Main jet	(M) 1300 Eng.		7162796	1
	JET ASSY. – Main metering	(A) 1300 Eng.		2709545	1
	JET – Orifice, Suit 150CDS Carb.	70 Eng.		7194699	1
	SPRING – Orifice jet, Suit 150CDS Carb.	70 Eng.		8815155	1
	JET – Main metering (.90)	1600 Eng.		7194947	1
	JET – Compensating (.115)	1600 Eng.		2702225	1
	JET – Main metering (.85)	1760 Eng.		6315182	1
	JET – Main metering (.105)	1760 Eng.		6315040	1
	JET – Compensating (.120)	1760 Eng.		8830762	1
	JET – Main metering (.056)	2250 Eng.		VS11307	1
	JET – Main metering (.054)	2250 Eng.		(⁴⁷ VS11648	1
	JET – Main metering (.052)	2250 Eng.		(⁴⁸ VS11649	1
	JET – Main metering (.062)	(M) 2850 Eng.		(⁹² VS12115	1
	JET – Main metering (.060)	(M) 2850 Eng.		(¹¹⁴ VS12187	1
	JET – Main metering (.058)	(M) 2850 Eng.		(¹¹⁵ VS10185	1

Note: (⁴⁷ High altitude 4,000-8,000 ft.
(⁴⁸ High altitude 8,000-12,000 ft.
(⁹² Prior to A.D.R.27.
(⁹³ With A.D.R. 27.
(¹¹⁴ High altitude 4,000 – 8,000 ft. Prior to A.D.R. 27.
(¹¹⁵ High altitude 8,000 – 12,000 ft. Prior to A.D.R. 27

HOLDEN "LJ" PARTS CATALOGUE

GROUP	DESCRIPTION	MODEL	SIDE	PART No.	QTY.
3.754	JET – Carburettor main metering, orifice, main discharge (contd.)				
	JET – Main metering (.061)	(A) 2850 Eng.		(⁹² VS12075)	1
	JET – Main metering (.059)	(A) 2850 Eng.		(¹¹⁴ 7420412)	1
	JET – Main metering (.057)	(A) 2850 Eng.		(¹¹⁵ 7424569)	1
	JET – Main metering (.067)	3300 exc. XU1 Eng.		(⁹² VS12117)	1
	JET – Main metering (.065)	3300 exc. XU1 Eng.		(¹¹⁴ VS12073)	1
	JET – Main metering (.063)	3300 exc. XU1 Eng.		(¹¹⁵ VS12074)	1
	JET – Main metering	2850, 3300 exc. XU1 Eng.			
			RIGHT HAND DRIVE	(⁹³ VS12473)	1
	JET – Main discharge (28–30)	6 Cyl. exc. XU1 Eng.		(⁹² 7400370)	1
	JET – Main discharge	2850, 3300 exc. XU1 Eng.			
			RIGHT HAND DRIVE	(⁹³ VS12472)	1
	JET – Orifice	XU1 Eng.		7194699	3
	SPRING – Orifice jet	XU1 Eng.		8815155	3
3.755	PLUG – Carburettor main metering jet				
	PLUG	1160, 1300 Eng.		7152415	1
	PLUG	6 Cyl. exc. XU1 Eng.		VS10432	1
3.756	GASKET – Carburettor metering jet plug				
	GASKET	1300 Eng.		7152416	1
	GASKET	6 Cyl. exc. XU1 Eng.		7405144	1
3.757	INJECTOR – Carburettor				
	INJECTOR ASSY.	1160, 1300 Eng.		7152411	1
	RING – Injector assembly sealing	1160, 1300 Eng.		7152410	1
3.757	JET – Carburettor pump by-pass, power by-pass				
	JET ASSEMBLY	1600 Eng.		7190428	1
	JET – Pump by-pass	1760 Eng.		7156117	1
	VALVE – Discharge	1600, 1760 Eng.		7156089	1
	JET ASSY. – Pump by-pass	6 Cyl. exc. XU1 Eng.		7405131	1
	JET ASSY. – Power by-pass (No.56)	2250 Eng.		7420490	1
	JET – Power by-pass	(M) 2850 Eng.		(⁹² VS12188)	1
	JET – Power by-pass (No. 53)	(A) 2850 Eng.		(⁹² VS12071)	1
	JET – Power by-pass (No. 56)	3300 exc. XU1 Eng.		(⁹² VS10469)	1
	JET – Power by-pass	2850, 3300 exc. XU1 Eng.			
			RIGHT HAND DRIVE	(⁹³ VS12641)	1
	GASKET – Pump & power by-pass	6 Cyl. exc. XU1 Eng.		7405146	2
3.760	VALVE – Carburettor accelerator pump check ball				
	VALVE – Check ball	1160 Eng.		1041602	1
	SPRING – Check valve	1160 Eng.		VS11182	1
	BALL – Inlet	1600, 1760 Eng.		8849828	1
	CIRCLIP – Inlet check ball	1600, 1760 Eng.		7156088	1
3.763	COVER – Carburettor float chamber				
	COVER ASSY.	1160, 1300 Eng.		7214420	1
	COVER ASSEMBLY	(M) 1600 Eng.		8830606	1
	COVER ASSEMBLY	(A) 1600 Eng.		2690298	1
	COVER ASSEMBLY	1760 Eng.		9961701	1
	SCREW & SPRING WASHER – 3/4" long	1600, 1760 Eng.		6339998	2
	SCREW & SPRING WASHER – 1 3/8" long	1600, 1760 Eng.		6371669	2

Note: (⁹² Prior to A.D.R.27
(⁹³ With A.D.R. 27.
(¹¹⁴ High altitude 4,000 – 8,000 ft. Prior to A.D.R. 27.
(¹¹⁵ High altitude 8,000 – 12,000 ft. Prior to A.D.R. 27.

HOLDEN "LJ" PARTS CATALOGUE

GROUP	DESCRIPTION	MODEL	SIDE	PART No.	QTY.
3.763	AIR HORN – Carburettor				
	AIR HORN ASSY.	6 Cyl. exc. XU1 Eng.		VS11803	1
	BAR – Air horn reinforcing	6 Cyl. exc. XU1 Eng.		7420240	1
	SCREW & LOCK WASHER – Air horn attaching – 5/8" long	6 Cyl. exc. XU1 Eng.		7405167	2
	SCREW & LOCK WASHER – Air horn attaching – 1/2" long	6 Cyl. exc. XU1 Eng.		7405166	3
	TUBE – Vent	6 Cyl. exc. XU1 Eng.		7424550	1
3.764	VALVE – Carburettor idle vent				
	VALVE ASSY.	6 Cyl. exc. XU1 Eng.		VS11801	1
	STEM	6 Cyl. exc. XU1 Eng.		VS11802	1
	SPRING – Stem	6 Cyl. exc. XU1 Eng.		7420244	1
3.765	GASKET – Carburettor float chamber cover, air horn				
	GASKET – Cover	1160 Eng.		8830991	1
	GASKET – Cover	1300 Eng.		8830991	1
	GASKET – Cover	1600, 1760 Eng.		7216562	1
	GASKET – Air horn	6 Cyl. exc. XU1 Eng.		⁽⁹²⁾ 7405148	1
	GASKET – Air horn	2850, 3300 exc. XU1 Eng. RIGHT HAND DRIVE		⁽⁹³⁾ VS12470	1
3.767	PLUG – Carburettor				
	PLUG – Main & throttle body channel	6 Cyl. exc. XU1 Eng.		7405158	1
	PLUG – Lead ball	6 Cyl. exc. XU1 Eng.		7405107	3
	PLUG – Main body, long	2850, 3300 exc. XU1 Eng. RIGHT HAND DRIVE		⁽⁹³⁾ VS12505	1
	PLUG – Main body, short	2850, 3300 exc. XU1 Eng. RIGHT HAND DRIVE		⁽⁹³⁾ VS12506	1
	PLUG – Vacuum advance passage	XU1 Eng.		VS12248	3
3.771	VALVE – Carburettor float needle				
	VALVE ASSY.	1160, 1300 Eng.		7214421	1
	VALVE ASSY. – Suit 150CDS Carb.	70 Eng.		8830621	1
	VALVE ASSY. – (1.75)	1600, 1760 Eng.		7156118	1
	VALVE & SEAT ASSY.	6 Cyl. exc. XU1 Eng.		7406701	1
	VALVE & SEAT ASSY. – Heavy duty	6 Cyl. exc. XU1 Eng.		7420335	1
	VALVE ASSY.	XU1 Eng.		8830621	3
3.772	GASKET – Carburettor float needle valve seat				
	GASKET	1160, 1300 Eng.		7152416	1
	GASKET	70 Eng.		7086864	1
	GASKET	1600, 1760 Eng.		6371652	1
	GASKET	6 Cyl. exc. XU1 Eng.		7405147	1
	GASKET	XU1 Eng.		7086864	3
3.773	FLOAT – Carburettor				
	FLOAT & ARM ASSY.	1160, 1300 Eng.		7214413	1
	FLOAT & ARM ASSY. – Suit 150CDS Carb.	70 Eng.		2702239	1
	FLOAT ASSY.	1600, 1760 Eng.		8819300	1
	FLOAT & LEVER ASSY.	6 Cyl. exc. XU1 Eng.		7405112	1
	FLOAT & ARM ASSY.	XU1 Eng.		VS12227	3
3.775	PIN, SPRING – Carburettor float fulcrum				
	PIN	1160, 1300 Eng.		6391732	1
	PIN – Suit 150CDS Carb.	70 Eng.		8830637	1
	PIN	1600, 1760 Eng.		7156093	1
	PIN	6 Cyl. exc. XU1 Eng.		7405156	1
	SPRING	6 Cyl. exc. XU1 Eng.		7405170	1
	PIN	XU1 Eng.		8830637	3

Note: ⁽⁹²⁾ Prior to A.D.R.27.
⁽⁹³⁾ With A.D.R. 27.

HOLDEN "LJ" PARTS CATALOGUE

GROUP	DESCRIPTION	MODEL	SIDE	PART No.	QTY.
3.778	DIAPHRAGM, PISTON and STEM – Carburettor pump				
	DIAPHRAGM	1160, 1300 Eng.		7214412	1
	PISTON ASSY.	1600 Eng.		8815072	1
	PISTON ASSY.	1760 Eng.		2716730	1
	PISTON and STEM ASSY.	6 Cyl. exc. XU1 Eng.		7405133	1
	PIN - Cotter	6 Cyl. exc. XU1 Eng.		7405141	1
3.779	SPRING – Carburettor pump and pump stem				
	SPRING - Pump	1160, 1300 Eng.		7152406	1
	SPRING - Pump stem	6 Cyl. exc. XU1 Eng.		7424555	1
3.780	LEVER – Carburettor pump				
	LEVER	6 Cyl. exc. XU1 Eng.		7424551	1
3.781	NUT, WASHER – Carburettor pump lever attaching				
	NUT	6 Cyl. exc. XU1 Eng.		7424617	1
	WASHER	6 Cyl. exc. XU1 Eng.		7424618	1
3.782	COVER and LEVER, ROD – Carburettor pump				
	COVER & LEVER ASSY.	1160, 1300 Eng.		7152407	1
	SCREW - Cover assy. to body	1160, 1300 Eng.		7152408	4
	SHAFT & LEVER ASSEMBLY	(M) 1600 Eng.		7170090	1
	SHAFT & LEVER ASSEMBLY	(A) 1600 Eng.		2680522	1
	SHAFT & LEVER ASSEMBLY	1760 Eng.		7170090	1
	LEVER - Pump internal	1600, 1760 Eng.		7156109	1
	NUT - Pump lever	1600, 1760 Eng.		7143956	1
	RING - Lever retaining	(A) 1600 Eng.		7156110	1
	RING - Lever retaining	1760 Eng.		7156110	1
	WASHER - Spacing	(M) 1600 Eng.		7156367	1
	WASHER - Spacing	1760 Eng.		7156367	1
	ROD	6 Cyl. exc. XU1 Eng.		7405160	1
3.783	ROD, LINK – Carburettor pump				
	ROD - Pump control	1160, 1300 Eng.		7152403	1
	SPRING - Control rod	1160, 1300 Eng.		6391720	1
	CIRCLIP - Control rod	1160, 1300 Eng.		7152404	3
	LINK ASSEMBLY	(M) 1600 Eng.		7170074	1
	LINK ASSEMBLY	(A) 1600 Eng.		2680505	1
	LINK ASSEMBLY	1760 Eng.		7170074	1
	PIN - Pump link	1600, 1760 Eng.		7156114	1
	WASHER - Pump link pin	1600, 1760 Eng.		7156115	2
	LINK	6 Cyl. exc. XU1 Eng.		7405153	1
	CLIP - Spring	6 Cyl. exc. XU1 Eng.		7405138	1
	REPAIR KIT	6 Cyl. exc. XU1 Eng.		7427343	1
3.784	VALVE, PLUG – Carburettor pump check				
	VALVE ASSY.	6 Cyl. exc. XU1 Eng.		7405136	1
	PLUG	6 Cyl. exc. XU1 Eng.		7405159	1
	GASKET - Plug	6 Cyl. exc. XU1 Eng.		7405145	1
3.787	SCREEN, CLIP – Carburettor pump strainer				
	SCREEN	6 Cyl. exc. XU1 Eng.		7405162	1
	CLIP - Strainer screen	6 Cyl. exc. XU1 Eng.		7405139	1
3.788	PISTON – Carburettor vacuum power				
	PISTON ASSY.	6 Cyl. exc. XU1 Eng.		VS11818	1

HOLDEN "LJ" PARTS CATALOGUE

GROUP	DESCRIPTION	MODEL	SIDE	PART No.	QTY.
3.789	VALVE – Carburettor choke				
	VALVE	1160, 1300 Eng.		7152429	1
	SCREW – Valve attaching	1160, 1300 Eng.		7152430	2
	VALVE	1600, 1760 Eng.		7156100	1
	SCREW – Valve attaching	1600, 1760 Eng.		7156101	2
	VALVE ASSY.	6 Cyl. exc. XU1 Eng.		VS11799	1
	SCREW – Valve attaching	6 Cyl. exc. XU1 Eng.		7405118	2
3.791	SHAFT, STARTER BAR, LEVER – Carburettor choke				
	SHAFT ASSY.	1160, 1300 Eng.		7152431	1
	SPRING – Shaft return	1160, 1300 Eng.		7152432	1
	WASHER – Choke shaft	1160, 1300 Eng.		6353414	1
	SCREW – Cable locking	1160, 1300 Eng.		7152426	4
	STARTER ASSY. – Suit 150CDS Carb.	70 Eng.		2680689	1
	NUT – Choke lever, Suit 150CDS Carb.	70 Eng.		7143956	1
	WASHER – Lock, Suit 150CDS Carb.	70 Eng.		115548	1
	WASHER – Starter lock, Suit 150CDS Carb.	70 Eng.		8815148	2
	SCREW – Starter fixing, Suit 150CDS Carb.	70 Eng.		8830628	2
	SCREW – Cable locking	70 Eng.		7194684	1
	SHAFT ASSEMBLY	(M) 1600 Eng.		8815077	1
	SHAFT ASSEMBLY	(A) 1600 Eng.		2680510	1
	CAM – Spring & bush assembly	(A) 1600 Eng.		2680724	1
	SPRING – Shaft return	(M) 1600 Eng.		8830607	1
	CIRCLIP – Shaft	(M) 1600 Eng.		7156097	1
	LEVER – Choke control	(M) 1600 Eng.		8830608	1
	LEVER – Choke control	(A) 1600 Eng.		VS12357	1
	SCREW – Cable locking	(M) 1600 Eng.		6361033	1
	SPRING – Choke control lever	(M) 1600 Eng.		7156096	1
	WASHER – Choke shaft	1600 Eng.		6353414	1
	WASHER – Locating	(A) 1600 Eng.		6311325	1
	NUT – Choke shaft	(A) 1600 Eng.		1020499	1
	SHAFT ASSY.	1760 Eng.		8815077	1
	SPRING – Shaft return	1760 Eng.		8830607	1
	CIRCLIP – Shaft	1760 Eng.		7156097	1
	LEVER – Choke control	1760 Eng.		8830608	1
	SCREW – Cable locking	1760 Eng.		6361033	1
	SPRING – Control lever	1760 Eng.		7156096	1
	WASHER – Choke shaft	1760 Eng.		6353414	1
	SHAFT ASSY.	6 Cyl. exc. XU1 Eng.		VS12061	1
	SPRING – Choke lever	6 Cyl. exc. XU1 Eng.		7405125	1
	LEVER ASSY.	6 Cyl. exc. XU1 Eng.		7405122	1
	SCREW – Wire clamp	6 Cyl. exc. XU1 Eng.		7405124	1
	STARTER ASSY.	XU1 Eng.		VS12231	3
	NUT – Choke lever	XU1 Eng.		7143956	3
	WASHER – Lock	XU1 Eng.		115548	3
	WASHER – Starter assy. lock	XU1 Eng.		8815148	6
	SCREW – Starter assy. fixing	XU1 Eng.		8830628	6
	LEVER – Cam	XU1 Eng.		VS12232	3
	WASHER – Spacing	XU1 Eng.		VS12233	3
	SCREW – Cable locking	XU1 Eng.		7194684	3
3.792	LEVER – Carburettor floating, throttle stop and fast idle				
	LEVER – Floating	1160, 1300 Eng.		7152396	1
	LEVER – Throttle stop, Suit 150CD Carb.	70 Eng.		8830710	1
	LEVER – Throttle stop, Suit 150CDS Carb.	70 Eng.		2680687	1
	LEVER – Floating	(M) 1600 Eng.		7156363	1
	LEVER – Throttle stop	(A) 1600 Eng.		2680504	1
	WASHER – Floating lever	(M) 1600 Eng.		7096326	1
	STOP – Throttle	(M) 1600 Eng.		7156078	1
	LEVER – Floating	1760 Eng.		7156363	1
	WASHER – Floating lever	1760 Eng.		7096326	1

HOLDEN "LJ" PARTS CATALOGUE

GROUP	DESCRIPTION	MODEL	SIDE	PART No.	QTY.
3.792	LEVER – Carburettor floating, throttle stop and fast idle (contd.)				
	STOP - Throttle	1760 Eng.		7156078	1
	LEVER - Fast idle	6 Cyl. exc. XU1 Eng.		VS11800	1
	NUT - Lever attaching	6 Cyl. exc. XU1 Eng.		7405120	1
	WASHER - Lever attaching nut	6 Cyl. exc. XU1 Eng.		7405121	1
	LEVER - Throttle stop	XU1 Eng.		VS12236	3
3.793	SWIVEL, ROD – Carburettor fast idle				
	SWIVEL - Idle rod	1160, 1300 Eng.		7162853	1
	WASHER - Wave	1160, 1300 Eng.		7162854	1
	CIRCLIP - Cam swivel	1160, 1300 Eng.		7152422	1
	ROD - Idler interconnecting	1160, 1300 Eng.		7152418	1
	SCREW - Rod to cam	1160, 1300 Eng.		7152420	1
	ROD	(M) 1600 Eng.		7174994	1
	PIN - Rod	1600 Eng.		1023160	2
	ROD	(A) 1600 Eng.		2680723	1
	WASHER - Rod	(A) 1600 Eng.		1023159	1
	ROD	1760 Eng.		7174994	1
	ROD	6 Cyl. exc. XU1 Eng.		VS11795	1
3.795	BRACKET – Carburettor choke cable				
	BRACKET	1160, 1300 Eng.		7152419	1
	SCREW - Bracket fixing	1160, 1300 Eng.		7152420	1
	CLIP - Choke cable	1160, 1300 Eng.		7214419	1
	BRACKET & CLIP ASSY. - Suit 150CD Carb.	70 Eng.		7206716	1
	SCREW - Bracket fixing, Suit 150CD Carb.	70 Eng.		7194684	1
	CLIP - Choke cable, Suit 150CD Carb.	70 Eng.		7214419	1
	BRACKET & CLIP ASSY. - Suit 150CDS Carb.	70 Eng.		2680714	1
	SCREW - Bracket fixing, Suit 150CDS Carb.	70 Eng.		8815149	1
	CLIP - Choke cable, Suit 150CDS Carb.	70 Eng.		7214419	1
	BRACKET	(M) 1600 Eng.		2696256	1
	CLIP - Choke cable	(M) 1600 Eng.		7214419	1
	SCREW - Bracket	(M) 1600 Eng.		8815083	2
	BRACKET	1760 Eng.		2696256	1
	CLIP - Choke cable	1760 Eng.		7214419	1
	SCREW - Bracket	1760 Eng.		8815083	2
	BRACKET ASSY.	6 Cyl. exc. XU1 Eng.		VS12121	1
	CLAMP	6 Cyl. exc. XU1 Eng.		VS11797	1
	SCREW & WASHER ASSY. - Clamp	6 Cyl. exc. XU1 Eng.		7405166	1
	SCREW & WASHER ASSY. - Bracket attaching	6 Cyl. exc. XU1 Eng.		7405167	1
	BRACKET & CLIP ASSY.	XU1 Eng.		VS12238	3
	SCREW - Bracket fixing	XU1 Eng.		8815149	3
	CLIP - Choke cable	XU1 Eng.		7214419	3
3.796	HOUSING & LEVER, HEAT MASS, COVER – Thermostat				
	HOUSING & LEVER ASSY. - Thermostat	(A) 1600 Eng.		2680512	1
	GASKET - Housing	(A) 1600 Eng.		2680513	1
	WASHER - Housing gasket sealing	(A) 1600 Eng.		2680514	1
	SCREW - Housing	(A) 1600 Eng.		7143946	3
	MASS ASSEMBLY - Heat	(A) 1600 Eng.		2680516	1
	COVER - Heat mass	(A) 1600 Eng.		2680517	1
	WASHER - Cover sealing	(A) 1600 Eng.		2680518	1
	SCREW - Cover fixing	(A) 1600 Eng.		2680519	1
	WASHER - Cover screw fixing	(A) 1600 Eng.		2680520	1
	RING - Clamping	(A) 1600 Eng.		2680521	1
3.799	PISTON and LEVER – Carburettor choke kick				
	PISTON & LEVER ASSEMBLY - Vacuum kick	(A) 1600 Eng.		2680725	1

HOLDEN "LJ" PARTS CATALOGUE

GROUP	DESCRIPTION	MODEL	SIDE	PART No.	QTY.
3.800	CHAMBER – Carburettor float				
	CHAMBER – Suit 150CD Carb.	70 Eng.		7194707	1
	CHAMBER – Suit 150CDS Carb.	70 Eng.		8815159	1
	SCREW & WASHER ASSY. – Chamber fixing long, Suit 150CDS Carb.	70 Eng.		8849624	4
	SCREW & WASHER ASSY. – Chamber fixing short, Suit 150CDS Carb.	70 Eng.		8849625	2
	CHAMBER	XU1 Eng.		8815159	3
	SCREW & WASHER ASSY. – Chamber fixing long ..	XU1 Eng.		8849624	12
	SCREW & WASHER ASSY. – Chamber fixing short ..	XU1 Eng.		8849625	6
3.802	RETAINER, ADJUSTER – Carburettor orifice jet				
	RETAINER – Jet bushing, Suit 150CD Carb.	70 Eng.		7206718	1
	"O" RING – Retainer, Suit 150CD Carb.	70 Eng.		7194701	1
	ADJUSTER ASSY. – Suit 150CD Carb.	70 Eng.		7194703	1
	"O" RING – Adjuster, Suit 150CD Carb.	70 Eng.		6371650	1
	RETAINER – Jet bushing, Suit 150CDS Carb.	70 Eng.		7206718	1
	"O" RING – Retainer, Suit 150CDS Carb.	70 Eng.		7194701	1
	ADJUSTER ASSY. – Suit 150CDS Carb.	70 Eng.		7194703	1
	"O" RING – Adjuster, Suit 150CDS Carb.	70 Eng.		6371650	1
	RETAINER ASSY. – Jet bushing	XU1 Eng.		7206718	3
	"O" RING – Retainer	XU1 Eng.		7194701	3
	ADJUSTER ASSY.	XU1 Eng.		7194703	3
	"O" RING – Adjuster assy.	XU1 Eng.		6371650	3
3.803	DAMPER – Carburettor				
	DAMPER ASSY.	70 Eng.		8853694	1
	DAMPER ASSY.	XU1 Eng.		VS12240	3
	CAP – Damper	70 Eng.		VS11186	1
	WASHER – Damper	70, XU1 Eng.		7194717	1-3
	BUSHING – Damper	70 Eng.		7194718	1
	BUSHING – Damper	XU1 Eng.		VS12218	3
	RING – Bushing retainer	70, XU1 Eng.		7194719	1-3
3.804	COVER – Carburettor suction chamber				
	COVER	70 Eng.		8819110	1
	SCREW & LOCK WASHER ASSY. – Cover fixing ...	70, XU1 Eng.		7194715	4-12
	COVER	XU1 Eng.		VS12219	3
3.805	SPRING – Carburettor air valve				
	SPRING – Air valve return – Suit 150CDS carb.	70 Eng.		8830605	1
	SPRING – Air valve return	XU1 Eng.		VS12239	3
3.805	WASHER, BUSHING, "O" RING – Carburettor orifice jet				
	WASHER – Orifice jet bushing	70, XU1 Eng.		7194696	1-3
	BUSHING – Orifice jet	70 Eng.		7194695	1
	BUSHING – Jet orifice	XU1 Eng.		VS12229	3
	"O" RING – Orifice jet	70, XU1 Eng.		7194697	1-3
	WASHER – Orifice jet "O" ring	XU1 Eng.		VS12230	3
	BUSHING – Guide – Suit 150CDS Carb.	70 Eng.		8815153	1
3.806	BODY, GASKET, VALVE, DIAPHRAGM – Carburettor economy device				
	BODY	1160, 1300 Eng.		7174595	1
	GASKET	1160, 1300 Eng.		7156434	1
	JET – (80)	1300 Eng.		2709547	1
	VALVE	1160, 1300 Eng.		7156428	1
	SPRING – Valve	1160, 1300 Eng.		7156429	1
	WASHER	1160, 1300 Eng.		7156430	1
	DIAPHRAGM	1160, 1300 Eng.		7216756	1
	SPRING – Diaphragm	1160, 1300 Eng.		VS10496	1
	COVER	1160, 1300 Eng.		7174597	1
	SCREW – Cover fixing, 3/16" long	1160, 1300 Eng.		7174598	2

HOLDEN "LJ" PARTS CATALOGUE

GROUP	DESCRIPTION	MODEL	SIDE	PART No.	QTY.
3.806	BODY, GASKET, VALVE, DIAPHRAGM – Carburettor economy device (contd.)				
	SCREW – Device fixing, $\frac{1}{16}$ " long	1160, 1300 Eng.		7156435	3
	DIAPHRAGM – Economy valve	1600, 1760 Eng.		7143976	1
	GASKET – Diaphragm	1600, 1760 Eng.		1039374	2
	SPRING – Diaphragm	1600, 1760 Eng.		7146583	1
	COVER	1600, 1760 Eng.		7143977	1
	SCREW – Cover fixing	1600, 1760 Eng.		1016860	3
3.807	VALVE and COMPONENTS – Carburettor air				
	VALVE ASSY. – Air	70 Eng.		7194714	1
	VALVE – Air	70 Eng.		7194710	1
	DIAPHRAGM – Air valve	70 Eng.		8830639	1
	RING – Diaphragm retaining	70 Eng.		7194712	1
	VALVE ASSY. – Air	XU1 Eng.		VS12224	3
	VALVE – Air	XU1 Eng.		VS12223	3
	DIAPHRAGM – Air valve	XU1 Eng.		VS12465	3
	RING – Diaphragm retaining	XU1 Eng.		VS12220	3
	RING – Diaphragm sealing	XU1 Eng.		VS12221	3
	SCREW & LOCK WASHER ASSY. – Diaphragm ring	70, XU1 Eng.		7194713	4-12
3.814	NEEDLE – Carburettor metering				
	NEEDLE – "6N"	70 Eng.		7206719	1
	NEEDLE – "6D"	XU1 Eng.		VS12228	3
	SCREW – Needle lock	70, XU1 Eng.		7170089	1-3
3.852	COMPENSATOR – Carburettor temperature				
	COMPENSATOR ASSEMBLY	XU1 Eng.		VS12243	3
	WASHER – Compensator sealing outer	XU1 Eng.		VS12244	3
	WASHER – Compensator sealing inner	XU1 Eng.		VS12245	3
	SCREW – Compensator attaching	XU1 Eng.		VS12241	6
	WASHER – Screw lock	XU1 Eng.		121801	6
3.900	PUMP – Fuel				
	PUMP ASSY.	1160, 70, 1300 Eng.		7441680 ⁷⁹⁵⁰⁷²⁸	1
	PUMP ASSY.	1600, 1760 Eng.		7990041	1
	BOLT – Pump to cylinder block	1600, 1760 Eng.		7213221	2
	PUMP ASSY.	6 Cyl. Eng.		7415943	1
	SCREW & LOCK WASHER ASSY.	6 Cyl. Eng.		3719206	2
3.901	REPAIR KIT – Fuel pump				
	REPAIR KIT	1160, 70, 1300 Eng.		VS10246	1
	REPAIR KIT	1600 Eng.		⁽¹¹⁶⁾ 1524994	1
	REPAIR KIT	1600, 1760 Eng.		⁽¹¹⁷⁾ 1524998	1
	REPAIR KIT	6 Cyl. Eng.		7420687	1
3.902	BODY, SEAL – Fuel pump				
	BODY	1160, 70, 1300 Eng.		VS10229	1
	SEAL – Oil	1160, 70, 1300 Eng.		VS10239	1
	SEAL	1600 Eng.		⁽¹¹⁶⁾ 1524261	2
	RETAINER	1600 Eng.		⁽¹¹⁶⁾ 1524593	1
	BODY	6 Cyl. Eng.		5592850	1
	SEAL – Oil	6 Cyl. Eng.		5593301	1
	WASHER – Oil seal	6 Cyl. Eng.		1521985	1
3.903	BOWL – Fuel pump				
	BOWL	1600, 1760 Eng.		1523094	1
	BOWL	6 Cyl. Eng.		1523094	1

Note: ⁽¹¹⁶⁾ Use with fuel pump stamped 1240.
⁽¹¹⁷⁾ Use with fuel pump stamped 0041.

HOLDEN "LJ" PARTS CATALOGUE

GROUP	DESCRIPTION	MODEL	SIDE	PART No.	QTY.
3.904	GASKET – Fuel pump cover and bowl				
	GASKET – Filter cover	1160, 70, 1300 Eng.		VS10242	1
	GASKET – Bowl	1600, 1760 Eng.		5593404	1
	GASKET – Bowl	6 Cyl. Eng.		5593404	1
3.906	SCREW – Fuel pump filter cover				
	SCREW	1160, 70, 1300 Eng.		VS10243	1
3.906	BAIL and SCREW – Fuel pump				
	BAIL and SCREW ASSY.	1600, 1760 Eng.		5592046	1
	BAIL and SCREW ASSY.	6 Cyl. Eng.		5592046	1
3.909	VALVE and RETAINER PACKAGE – Fuel pump				
	VALVE & RETAINER PACKAGE – Inlet	1160, 70, 1300 Eng.		VS10394	1
3.909	VALVE and CAGE – Fuel pump				
	VALVE & CAGE ASSY.	1600, 1760 Eng.		5593866	2
	VALVE & CAGE ASSY.	6 Cyl. Eng.		5593866	2
3.910	COVER – Fuel pump				
	COVER ASSY.	1160, 70, 1300 Eng.		VS10228	1
	SCREW & LOCK WASHER ASSY.	1160, 70, 1300 Eng.		VS10245	6
	COVER ASSY.	1600, 1760 Eng.		7950755	1
	COVER	1600, 1760 Eng.		7950760	1
	SCREW	1600, 1760 Eng.		(¹¹⁷ 855493	1
	COVER ASSY.	6 Cyl. Eng.		7950756	1
	SCREW & WASHER ASSY.	6 Cyl. Eng.		SP1724	6
3.913	SEAT, GASKET – Fuel pump valve				
	SEAT & SPRING PACKAGE – Outlet valve	1160, 70, 1300 Eng.		VS10398	1
	GASKET	1600, 1760 Eng.		1521953	2
	GASKET	6 Cyl. Eng.		1521953	1
3.920	ARM – Fuel pump rocker				
	ARM	1160, 70, 1300 Eng.		VS10230	1
	ARM	1600, 1760 Eng.		1524280	1
	ARM	6 Cyl. Eng.		1523093	1
3.921	PIN, CIRCLIP, PLUG – Fuel pump rocker arm				
	PIN	1160, 70, 1300 Eng.		VS10233	1
	CIRCLIP – Rocker arm pin	1160, 70, 1300 Eng.		VS10234	2
	PIN	1600 Eng.		(¹¹⁶ 856035	1
	CLIP – Rocker arm pin	1600, 1760 Eng.		1524112	2
	WASHER – Spacer, rocker arm pin	1600, 1760 Eng.		856939	2
	PIN	6 Cyl. Eng.		5592851	1
	PLUG	6 Cyl. Eng.		5592852	2
3.922	SPRING – Fuel pump rocker arm				
	SPRING	1160, 70, 1300 Eng.		VS10231	1
	RETAINER – Rocker arm spring	1160, 70, 1300 Eng.		VS10232	1
	SPRING	1600, 1760 Eng.		856927	1
	SPRING	6 Cyl. Eng.		1522046	1

Note: (¹¹⁶ Use with fuel pump stamped 1240.
(¹¹⁷ Use with fuel pump stamped 0041.

HOLDEN "LJ" PARTS CATALOGUE

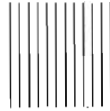
GROUP	DESCRIPTION	MODEL	SIDE	PART No.	QTY.
3.925	DIAPHRAGM, DIAPHRAGM KIT – Fuel pump				
	DIAPHRAGM ASSY.	1160, 70, 1300 Eng.		VS10236	1
	DIAPHRAGM KIT	1160, 70, 1300 Eng. <i>REMOVED</i>		VS10247	1
	DIAPHRAGM ASSY.	1600, 1760 Eng.		7971211	1
	DIAPHRAGM KIT	1600, 1760 Eng.		1524507	1
	DIAPHRAGM KIT	6 Cyl. Eng.		7420688	1
	DIAPHRAGM & PULL ROD	6 Cyl. Eng.		1522199	1
3.927	SPRING, SEAT – Fuel pump diaphragm				
	SPRING	1160, 70, 1300 Eng.		VS10237	1
	SEAT – Diaphragm spring	1160, 70, 1300 Eng.		VS10238	1
	SPRING	1600, 1760 Eng.		1524088	1
	SPRING	6 Cyl. Eng.		7950671	1
3.929	SCREEN – Fuel pump				
	SCREEN	1160, 70, 1300 Eng.		VS10241	1
	SCREEN	1600, 1760 Eng.		7950526	1
	SCREEN	6 Cyl. Eng.		1523099	1
3.931	LINK – Fuel pump				
	LINK	1600, 1760 Eng.		856961	1
	LINK	6 Cyl. Eng.		1521708	1
3.932	INSULATOR – Fuel pump heat				
	INSULATOR	4 Cyl. Eng.		6380703	1
3.932	GASKET – Fuel pump flange				
	GASKET – Insulator to fuel pump	1600, 1760 Eng.		7950366	1
	GASKET – Insulator to crankcase	1600, 1760 Eng.		7950173	1
	GASKET	6 Cyl. Eng.		7426584	1

TRANSMISSIONS

TRANSMISSION ASSEMBLIES AND PARTS ARE LISTED AS FOLLOWS :-

SECTION 1: TRANSMISSION CASE & PROPELLER SHAFT
4 SPEED MANUAL 1160, 1300, 70 ENGINE
PAGES **207 - 214**

PAGE EDGE CODE



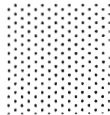
SECTION 2: TRANSMISSION CASE & GEARS
4 SPEED MANUAL 1600, 1760 ENGINE
PAGES **215 - 228**

PAGE EDGE CODE



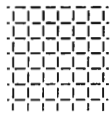
SECTION 3: TRANSMISSION CASE & GEARS
3 SPEED FULLY SYNCHRONIZED
PAGES **229 - 242**

PAGE EDGE CODE



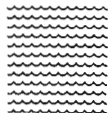
SECTION 4: TRANSMISSION ASSEMBLY 4 SPEED MANUAL
6 CYL. ENGINE - RIGHT HAND DRIVE
PAGES **243 - 252**

PAGE EDGE CODE



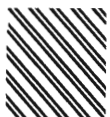
SECTION 5: TRANSMISSION CASE & GEARS 4 SPEED SYNCROMESH
6 CYL. ENGINE - LEFT HAND DRIVE
PAGES **253 - 264**

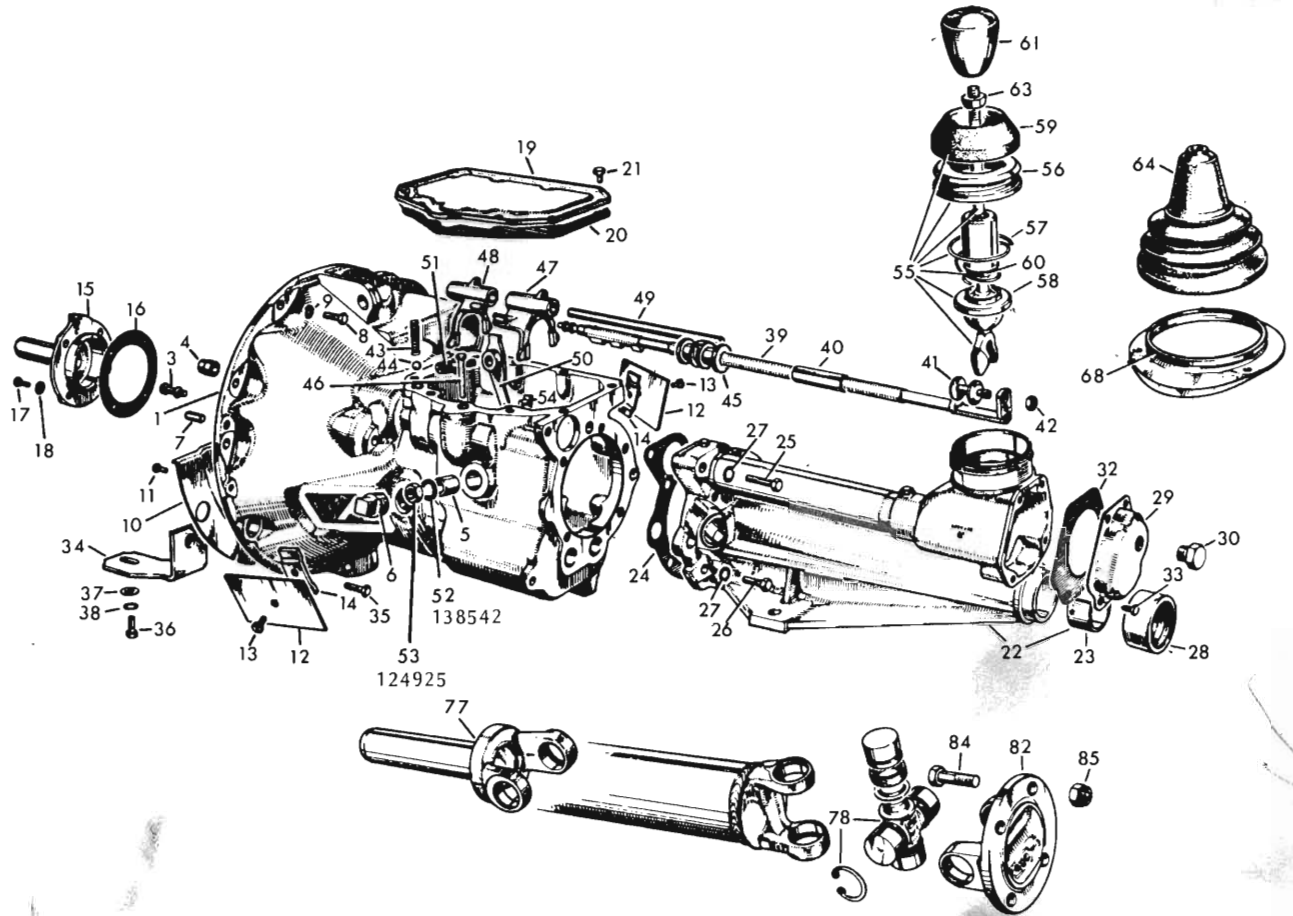
PAGE EDGE CODE



SECTION 6: TRANSMISSION ASSEMBLY
AUTOMATIC 3 SPEED
PAGES **265 - 292**

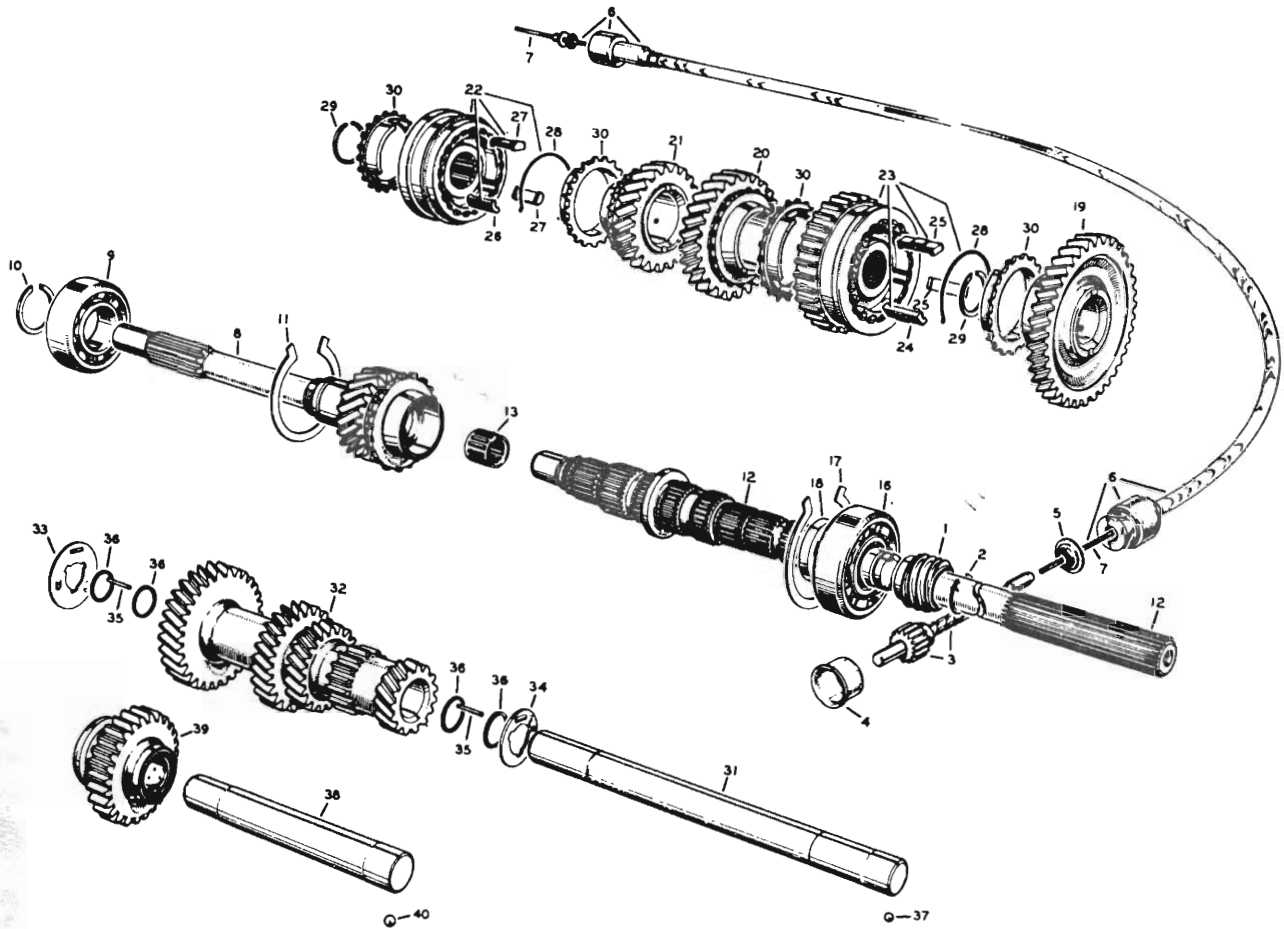
PAGE EDGE CODE





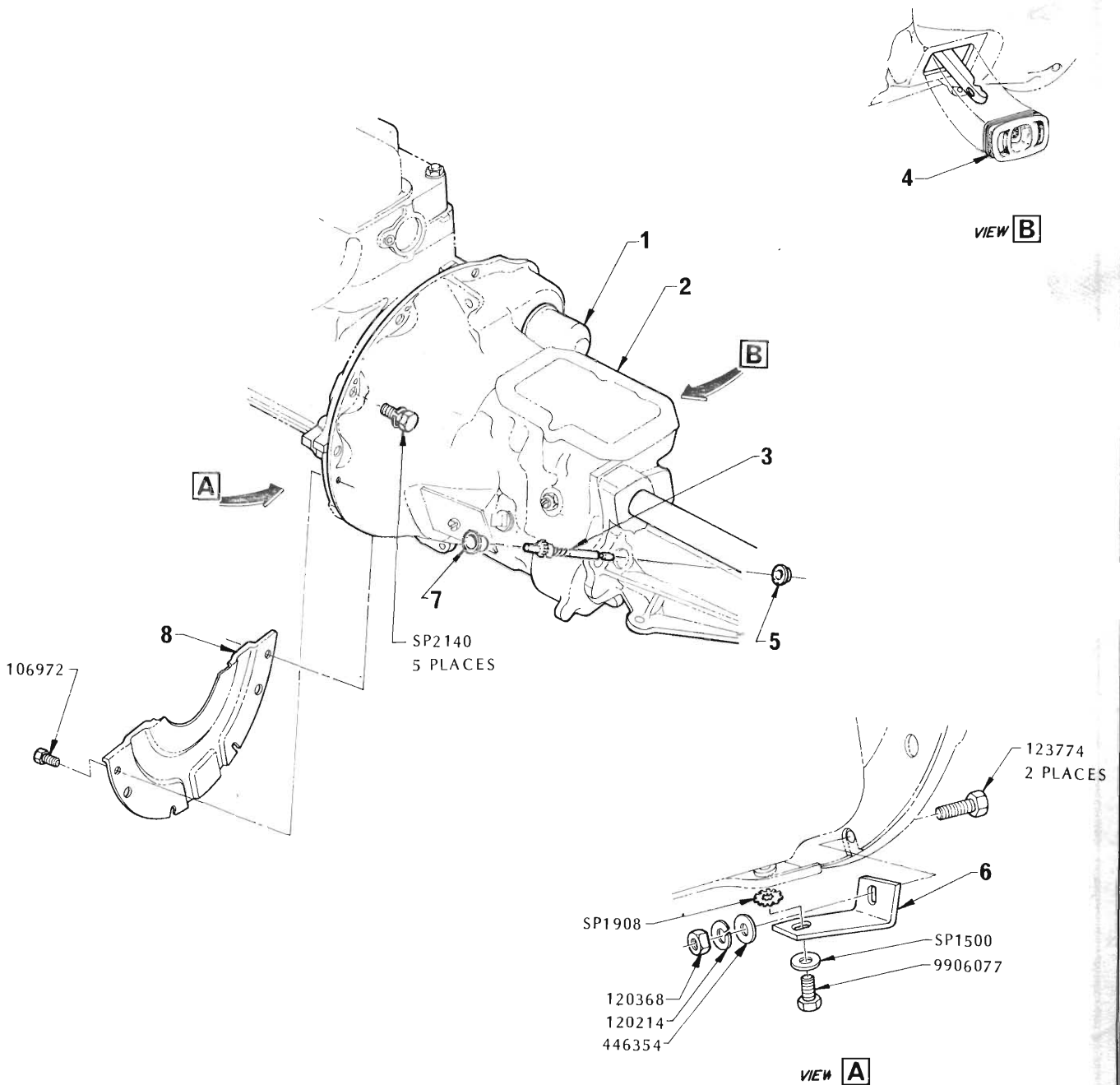
**TRANSMISSION CASE & PROPELLER SHAFT — 4 SPEED MANUAL
1160, 1300 ENGINE**

ILLUS. REF. NO.	PART NAME	GROUP	ILLUS. REF. NO.	PART NAME	GROUP	ILLUS. REF. NO.	PART NAME	GROUP
1.	CASE ASSY.	4.103	25.	BOLT	4.317	48.	FORK — 3rd & 4th.	4.300
3.	STUD	0.796	26.	BOLT	4.317	49.	RAIL	4.309
4.	COVER	4.313	27.	WASHER	4.317	50.	LEVER	4.306
5.	BUSHING	4.307	28.	SEAL ASSY.	4.317	51.	PIN	4.307
6.	PLUG — Filler	4.103	29.	COVER	4.022	52.	WASHER — 5/16" Int. tooth	8.932
7.	DOWEL	4.003	30.	PLUG	4.022	53.	NUT — 3/8" Light	8.916
8.	BOLT	4.003	32.	GASKET	4.023	54.	PAD	4.306
9.	WASHER	4.003	33.	SCREW	4.022	55.	LEVER ASSY.	4.006
10.	COVER — Clutch front	0.679	34.	BRACE	4.081	56.	CAP ASSY.	4.015
11.	BOLT	0.679	35.	BOLT	4.081	57.	SPRING	4.026
12.	COVER	0.686	36.	BOLT	4.081	58.	PLATE — Retaining	4.015
13.	SCREW	0.686	37.	WASHER	4.081	59.	GROMMET	4.015
14.	NUT	0.686	38.	WASHER	4.081	60.	COUPLING	4.018
15.	RETAINER	4.356	39.	SHAFT ASSY.	4.107	61.	GRIP	4.009
16.	GASKET	4.358	40.	SLEEVE	4.107	63.	RING	4.009
17.	BOLT	4.356	41.	PIN	4.108	64.	BOOT — Lever	4.015
18.	WASHER	4.356	42.	NUT	4.108	68.	RETAINER — Boot	4.015
19.	COVER	4.105	43.	SPRING	4.108	77.	YOKE — Sleeve	5.555
20.	GASKET	4.109	44.	BALL	4.108	78.	REPAIR KIT	5.548
21.	BOLT	4.105	45.	COLLAR	4.095	82.	FLANGE	5.555
22.	HOUSING	4.317	46.	PIN	4.095	84.	BOLT	5.546
23.	BUSHING	4.317	47.	FORK — 1st & 2nd.	4.300	85.	NUT	5.546
24.	GASKET	4.318						



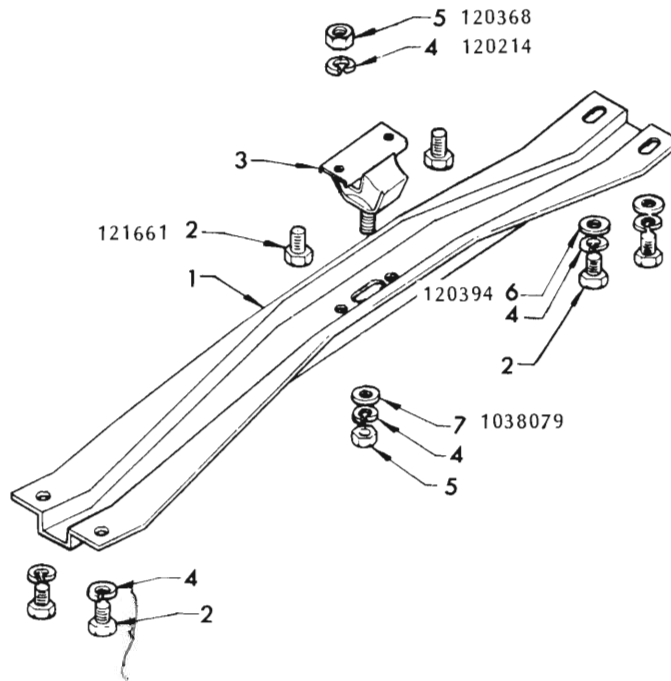
TRANSMISSION — 4 SPEED MANUAL
1160, 1300 ENGINE

ILLUS. REF. NO.	PART NAME	GROUP	ILLUS. REF. NO.	PART NAME	GROUP
1.	GEAR — Driving	4.337	22.	GEAR & HUB — 3rd & 4th speed	4.380
2.	RING	4.412	23.	GEAR & HUB — 1st, 2nd & rev. speed	4.380
3.	GEAR & SHAFT — Driven	4.337	24.	KEY — 1st & 2nd speed slotted	4.384
4.	CAP	4.333	25.	KEY — 1st & 2nd speed plain	4.384
5.	SEAL	4.342	26.	KEY — 3rd & 4th speed slotted	4.384
6.	CABLE & CASING	4.342	27.	KEY — 3rd & 4th speed plain	4.384
7.	CABLE KIT	4.342	28.	SPRING	4.383
8.	GEAR	4.351	29.	RING	4.385
9.	BEARING	4.355	30.	CONE	4.383
10.	RING	4.376	31.	SHAFT — Counter gear	4.428
11.	RING	4.376	32.	GEAR	4.421
12.	SHAFT — Main	4.403	33.	WASHER — Front	4.423
13.	BEARING	4.352	34.	WASHER — Rear	4.423
16.	BEARING	4.408	35.	NEEDLE ROLLER	4.422
17.	RING — Bearing	4.412	36.	WASHER — Needle roller bearing	4.422
18.	WASHER	4.398	37.	BALL	4.428
19.	GEAR — 1st speed	4.417	38.	SHAFT	4.433
20.	GEAR — 2nd speed	4.395	39.	GEAR — Reverse idler	4.430
21.	GEAR — 3rd speed	4.415	40.	BALL	4.432



TRANSMISSION MOUNTING
1160, 1300 Engine

ILLUS. REF. NO.	PART NAME	GROUP
1.	BOOT - Starter motor pinion	0.686
2.	TRANSMISSION ASSY.	4.003
3.	GEAR - Speedometer driven	4.337
4.	SEAL - Clutch fork	0.797
5.	SEAL - Speedometer cable	4.342
6.	BRACE - Transmission mounting	4.081
7.	CAP - Speedometer driven gear	4.333
8.	COVER ASSY. - Clutch front	0.679



**TRANSMISSION MOUNTING – 4 SPEED MANUAL
1160, 1300 ENGINE**

ILLUS. REF. NO.	PART NAME	GROUP
1.	SUPPORT – Engine rear mounting	12.982
2.	BOLT	8.900
3.	MOUNTING ASSY.	4.081
4.	WASHER	8.931
5.	NUT	8.915
6.	WASHER	8.929
7.	WASHER – Special	4.081

HOLDEN "LJ" PARTS CATALOGUE

GROUP	DESCRIPTION	MODEL	SIDE	PART No.	QTY.
TRANSMISSION ASSEMBLY, FOUR SPEED MANUAL CONTROL					
FITTED IN VEHICLES EQUIPPED WITH 1160, 1300 4 CYLINDER ENGINES					
4.003	TRANSMISSION				
	TRANSMISSION ASSY.	ALL		9963237	1
	PIN - Trans. to block dowel	ALL		7150714	2
4.005	GASKET KIT - Transmission				
	GASKET KIT	ALL		7441885	1
4.006	LEVER - Gearshift				
	LEVER ASSY.	ALL		8853965	1
4.009	KNOB - Gearshift control lever				
	KNOB	ALL		7441640	1
	RING - Locking	ALL		7176225	1
4.015	CAP, PLATE, GROMMET, BOOT, RETAINER - Gearshift lever				
	CAP ASSY.	ALL		2694409	1
	PLATE - Retaining	ALL		6388044	1
	GROMMET	ALL		7153711	1
	BOOT - Lever	ALL		2817735	1
	RETAINER - Boot	ALL		2812312	1
4.018	COUPLING - Gearshift lever				
	COUPLING	ALL		7176023	1
4.022	COVER - Gearshift lever housing				
	COVER	ALL		9965823	1
4.023	GASKET - Gearshift lever housing cover				
	GASKET	ALL		6388083	1
4.026	SPRING - Gearshift lever				
	SPRING	ALL		7186122	1
4.081	BRACE, MOUNTING - Transmission				
	BRACE ASSY.	ALL		7448620	2
	MOUNTING ASSY.	ALL		7188948	1
	BOLT - Hex. hd. type 'A' 3/8" - 16 x .875"	ALL		SP2035	4
	WASHER - Mounting to support	ALL		1038079	1
4.095	COLLAR, PIN - Transmission selector shaft				
	COLLAR - Interlock	ALL		6388089	1
	PIN - Interlock collar stop	ALL		6373311	1
4.103	CASE - Transmission				
	CASE ASSY.	ALL		9962232	1
	PLUG - Filler	ALL		444710	1
4.105	COVER - Transmission				
	COVER	ALL		6373327	1
4.107	SHAFT, BUSH - Transmission selector				
	SHAFT ASSY.	ALL		(¹¹⁸ 91003262	1
	BUSH	ALL		8813785	1

Note: (¹¹⁸ Must also use pin Part No. 91000006.

HOLDEN "LJ" PARTS CATALOGUE

GROUP	DESCRIPTION	MODEL	SIDE	PART No.	QTY.
TRANSMISSION ASSEMBLY, FOUR SPEED MANUAL CONTROL					
FITTED IN VEHICLES EQUIPPED WITH 1160, 1300 4 CYLINDER ENGINES					
4.108	PIN, SPRING – Transmission selector shaft				
	PIN – Selector shaft to shift lever	ALL		91000006	1
	SPRING – Detent	ALL		6393317	1
	BALL – Detent $\frac{3}{16}$ "	ALL		104919	1
4.109	GASKET – Transmission cover				
	GASKET	ALL		6373334	1
4.300	FORK – Transmission selector				
	FORK – First & Second speed	ALL		6376067	1
	FORK – Third & Fourth speed	ALL		6376068	1
4.306	LEVER, PAD – Transmission reverse speed				
	LEVER ASSY. – Striking	ALL		6376075	1
	PAD – Striking lever	ALL		6373287	1
4.307	PIN, BUSHING – Transmission reverse striking lever				
	PIN – Fulcrum	ALL		6376084	1
	BUSHING – Fulcrum pin	ALL		6376085	1
4.309	RAIL – Transmission selector fork				
	RAIL	ALL		6373226	1
4.313	COVER – Transmission selector shaft				
	COVER	ALL		6373377	1
4.317	HOUSING, BUSHING, SEAL – Transmission extension				
	HOUSING ASSY.	ALL		8853963	1
	TUBE – Selector shaft	ALL		8810483	1
	BUSHING	ALL		6397716	1
	SEAL ASSY	ALL		2707882	1
4.318	GASKET – Transmission rear housing				
	GASKET	ALL		6373380	1
4.333	CAP – Speedometer driven gear				
	CAP	ALL		6373525	1
4.337	GEAR, GEAR and SHAFT – Speedometer drive and driven				
	GEAR – Drive	ALL		6393125	1
	GEAR & SHAFT ASSY. – Driven - 14 teeth	ALL		8818934	1
	GEAR & SHAFT ASSY. – Driven - 15 teeth	ALL		7153340	1
	RING – Drive gear .059" – .061"	ALL		⁽⁶⁹⁾ 6393126	1
	RING – Drive gear .062" – .064"	ALL		⁽⁶⁹⁾ 6393127	1
	RING – Drive gear .065" – .067"	ALL		⁽⁶⁹⁾ 6393128	1
	RING – Drive gear .068" – .070"	ALL		⁽⁶⁹⁾ 6393129	1
	RING – Drive gear .071" – .073"	ALL		⁽⁶⁹⁾ 6393130	1
	RING – Drive gear .074" – .076"	ALL		⁽⁶⁹⁾ 6393131	1
4.342	CABLE and CASING – Speedometer				
	CABLE & CASING	ALL		7439082	1
	CABLE KIT	ALL		VS10864	1
	SEAL – Cable	ALL		7149485	1
	GROMMET – Casing	ALL		7438395	1
	CLIP – Casing	ALL		SP1885	1

Note: ⁽⁶⁹⁾ Selective Fit.

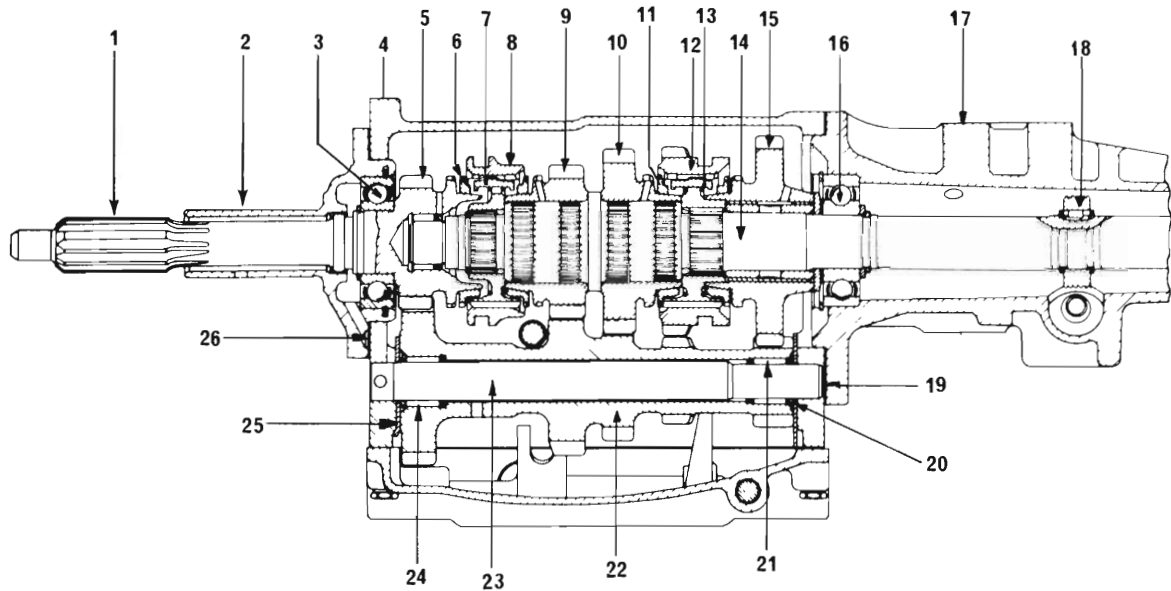
HOLDEN "LJ" PARTS CATALOGUE

GROUP	DESCRIPTION	MODEL	SIDE	PART No.	QTY.
TRANSMISSION ASSEMBLY, FOUR SPEED MANUAL CONTROL					
FITTED IN VEHICLES EQUIPPED WITH 1160, 1300 4 CYLINDER ENGINES					
4.351	GEAR – Clutch				
	GEAR	ALL		2710410	1
4.352	BEARING – Mainshaft front				
	BEARING	ALL		7172560	1
4.355	BEARING – Clutch gear				
	BEARING	ALL		2690774	1
4.356	RETAINER – Clutch gear bearing				
	RETAINER - (8843876 on casting)	ALL		8843876	1
	WASHER - Retainer bolt special	ALL		1048975	4
4.358	GASKET – Clutch gear bearing retainer				
	GASKET	ALL		6373774	1
4.376	RING – Clutch gear bearing				
	RING - Locating (Large)	ALL		6373225	1
	RING - Retaining (Small)	ALL		6373286	1
4.380	GEAR and HUB – Synchronizing				
	GEAR & HUB ASSY. - First & second speed clutch & reverse	ALL		2697265	1
	GEAR & HUB ASSY. - Third & fourth speed clutch .	ALL		2697264	1
4.383	CONE, SPRING – Synchronizing				
	CONE	ALL		7177927	4
	SPRING	ALL		7177367	4
4.384	KEY – Synchronizing clutch				
	KEY - 1st & 2nd	ALL		8810500	3
	KEY - 3rd & 4th	ALL		8810499	3
4.385	RING – Synchronizing clutch				
	RING - .061" - .063"	ALL		⁶⁹ 6373192	2
	RING - .064" - .066"	ALL		⁶⁹ 6373193	2
	RING - .067" - .069"	ALL		⁶⁹ 6373194	2
	RING - .070" - .072"	ALL		⁶⁹ 6373195	2
4.395	GEAR – Mainshaft second speed				
	GEAR	1160 Eng.		6373702	1
	GEAR	1300 Eng.		7161961	1
4.398	WASHER – Mainshaft thrust				
	WASHER	ALL		6373227	1
4.403	SHAFT – Transmission main				
	SHAFT	ALL		2697270	1
4.408	BEARING – Mainshaft rear				
	BEARING	ALL		2690756	1

Note: ⁶⁹ Selective Fit.

HOLDEN "LJ" PARTS CATALOGUE

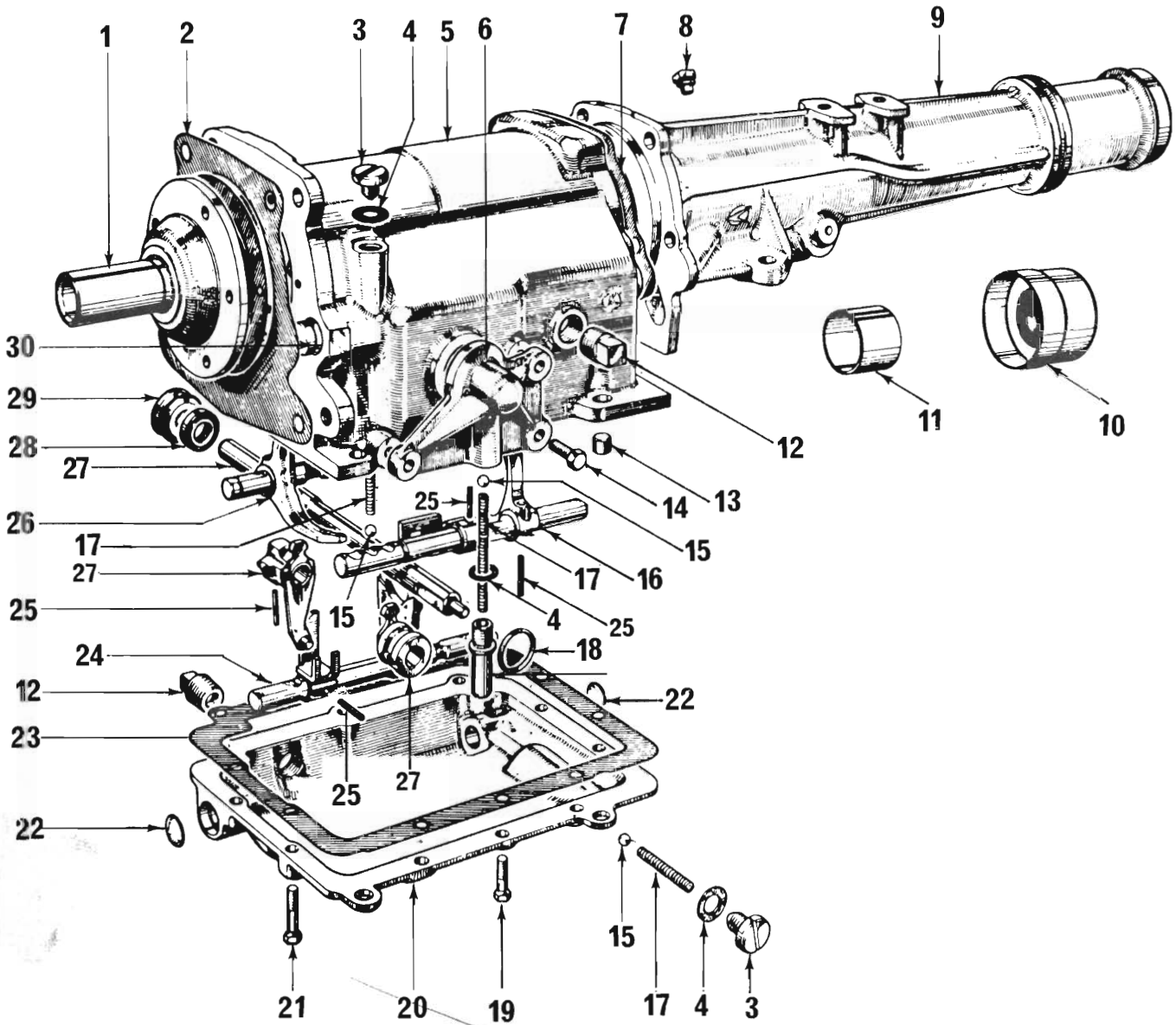
GROUP	DESCRIPTION	MODEL	SIDE	PART No.	QTY.
TRANSMISSION ASSEMBLY, FOUR SPEED MANUAL CONTROL					
FITTED IN VEHICLES EQUIPPED WITH 1160, 1300 4 CYLINDER ENGINES					
4.412	RING – Mainshaft lock				
	RING - Rear bearing	ALL		6373225	1
4.415	GEAR – Third speed				
	GEAR	ALL		6367675	1
4.418	GEAR – First speed				
	GEAR	1160 Eng.		6367677	1
	GEAR	1300 Eng.		2694522	1
4.421	GEAR – Counter				
	GEAR	1160 Eng.		6376093	1
	GEAR	1300 Eng.		2694521	1
4.422	BEARING – Counter gear				
	NEEDLE ROLLER	ALL		6367859	50-100
4.423	SPACER, WASHER – Countershaft				
	SPACER - Needle roller bearing	ALL		6373187	4-6
	WASHER - Thrust, front	ALL		6373284	1
	WASHER - Thrust, rear	ALL		6373188	1
4.428	SHAFT – Counter gear				
	SHAFT	ALL		2694534	1
	BALL - $\frac{3}{16}$ "	ALL		104916	1
4.430	GEAR – Reverse idler				
	GEAR	ALL		6373189	1
4.433	SHAFT – Reverse idler gear				
	SHAFT	ALL		6373219	1
	BALL - $\frac{3}{16}$ "	ALL		104916	1



**TRANSMISSION CASE & GEARS – 4 SPEED MANUAL
1600, 1760 Engine**

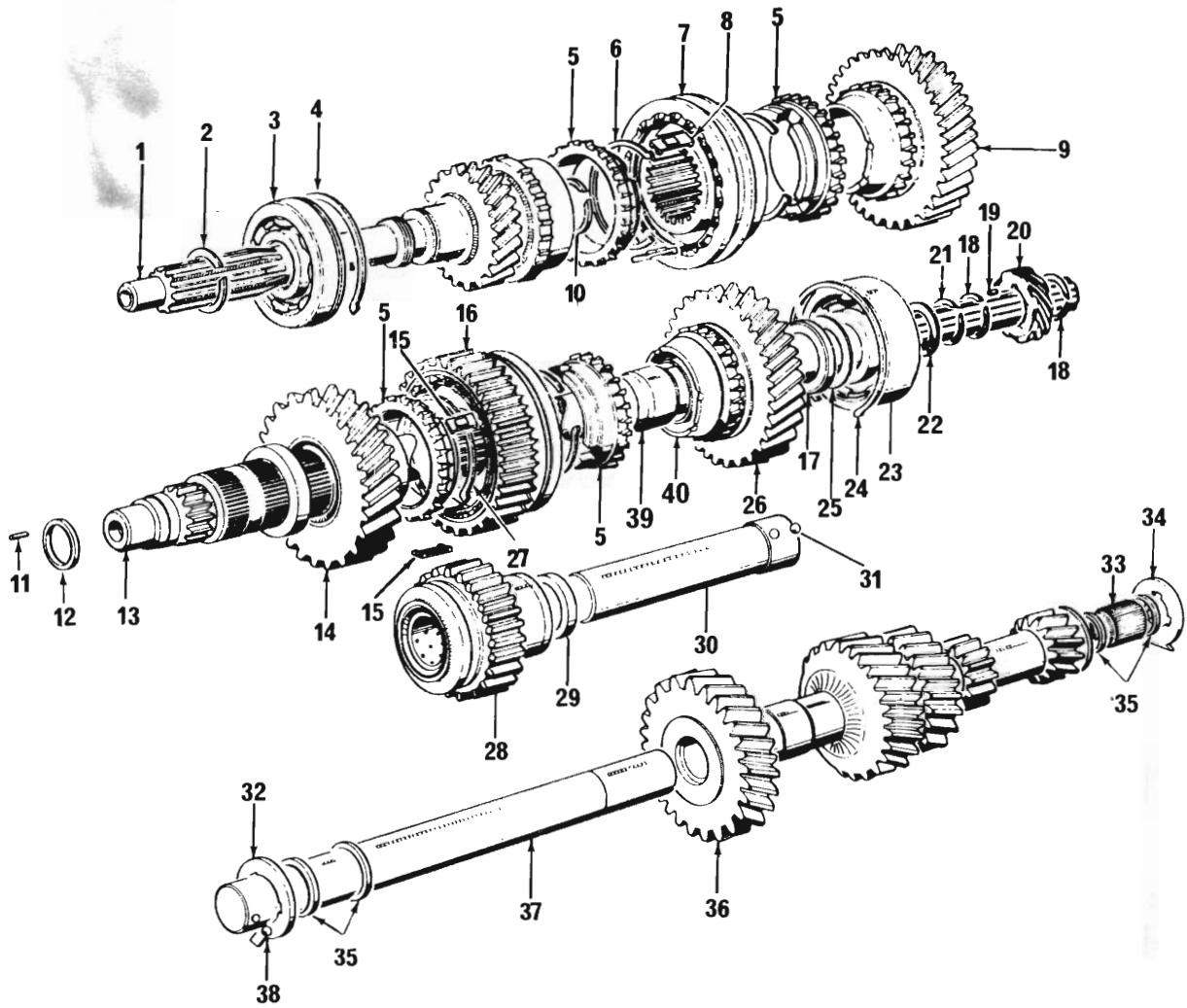
ILLUS. REF. NO.	PART NAME	GROUP	ILLUS. REF. NO.	PART NAME	GROUP
1.	GEAR – Clutch	4.351	14.	SHAFT – Transmission main	4.403
2.	RETAINER – Front bearing	4.356	15.	GEAR – First speed	4.418
3.	BEARING – Clutch gear	4.355	16.	BEARING – Mainshaft rear	4.408
4.	CASE – Transmission	4.103	17.	HOUSING – Extension	4.317
5.	BEARING – Needle roller	4.352	18.	GEAR – Speedometer driven	4.337
6.	CONE – Synchronizing	4.385	19.	GASKET – Extension housing	4.318
7.	KEY – Third & fourth speed sliding	4.384	20.	WASHER – Thrust, countershaft rear	4.423
8.	GEAR & HUB ASSY. – Third & fourth speed	4.380	21.	BEARING -- Needle roller, countershaft rear	4.422
9.	GEAR – Third speed	4.415	22.	GEAR – Counter	4.421
10.	GEAR – Second speed	4.395	23.	SHAFT – Counter gear	4.428
11.	CONE – Synchronizing	4.383	24.	BEARING – Needle roller, countershaft front	4.422
12.	GEAR & HUB ASSY. – First & second speed	4.380	25.	WASHER – Thrust, countershaft front	4.423
13.	KEY – Second speed sliding	4.384	26.	GASKET – Front bearing retainer	4.358

HOLDEN "LJ" PARTS CATALOGUE



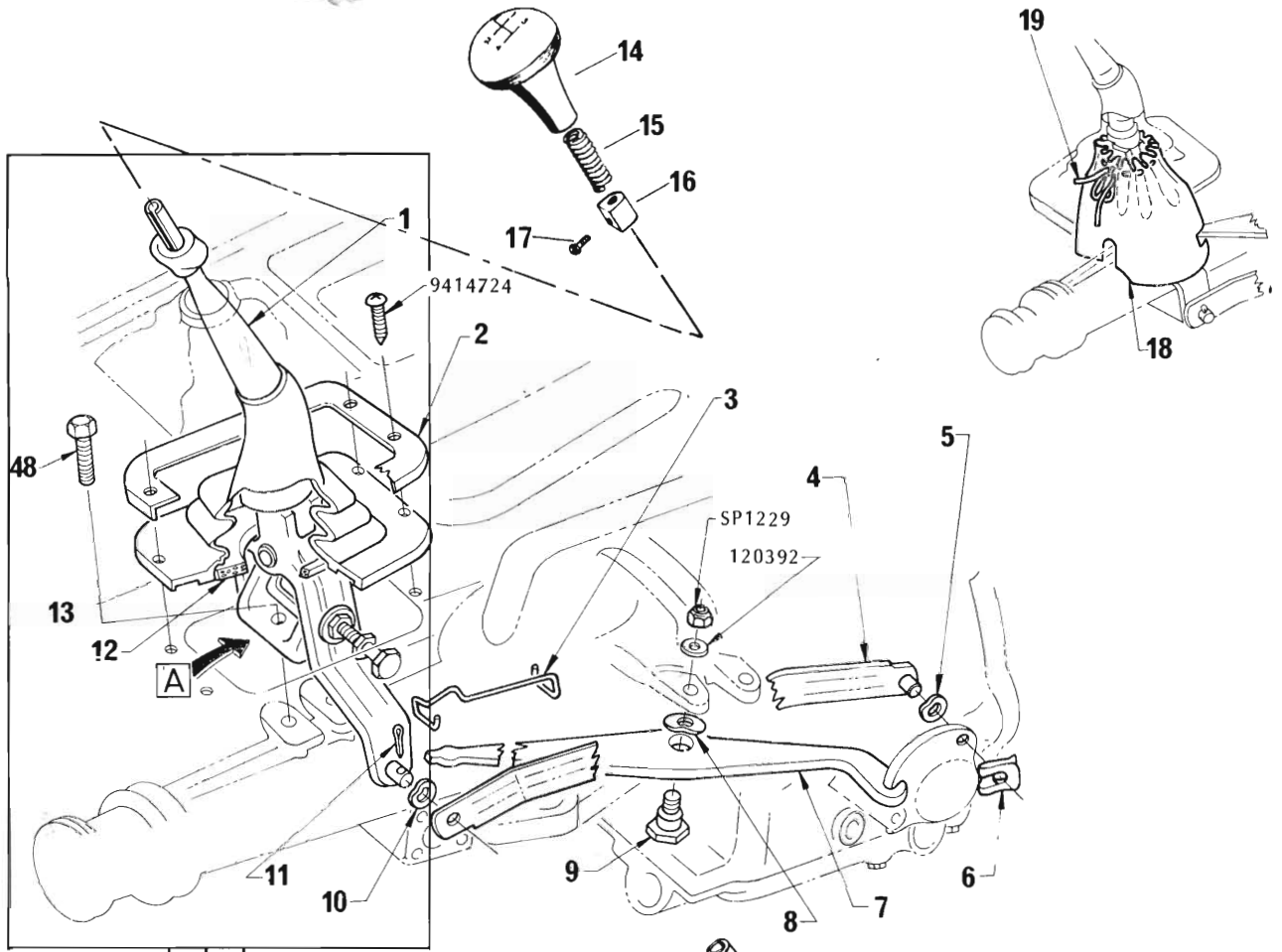
TRANSMISSION ASSEMBLY - 4 SPEED MANUAL
1600, 1760 Engine

ILLUS. REF. NO.	PART NAME	GROUP	ILLUS. REF. NO.	PART NAME	GROUP
1.	RETAINER - Front bearing	4.356	16.	FORK & ROD ASSY. - 1st & 2nd speed	4.309
2.	GASKET	4.358	17.	SPRING - Selector locking ball	4.311
3.	SCREW - Locking ball	4.311	18.	SEAL - Selector shaft outer	4.301
4.	WASHER - Screw (fibre)	4.311	19.	BOLT - Cover fixing 11/16"	4.105
5.	CASE - Transmission	4.103	20.	COVER - Transmission	4.105
6.	BRACKET - Mounting	4.081	21.	BOLT - Cover fixing 1.1/16"	4.105
7.	GASKET - Extension housing	4.318	22.	COVER - Fork & rod assy., reverse speed	4.313
8.	BREATHER - Extension housing	4.104	23.	GASKET - Transmission cover	4.109
9.	HOUSING - Extension	4.317	24.	FORK & ROD ASSY. - Reverse speed	4.300
10.	SEAL - Extension housing	4.317	25.	PIN - Selector lever to shaft	4.301
11.	BUSHING - Extension housing	4.317	26.	FORK & ROD ASSY. - 3rd & 4th speed	4.300
12.	PLUG - Filler and drain	4.103	27.	SHAFT & LEVER ASSY. - Selector	4.301
13.	DOWEL - Cover	4.105	28.	SEAL - Selector shaft inner	4.301
14.	BOLT - 5/16" - 24 x 1.1/4"	8.900	29.	COVER - Selector shaft	4.313
15.	BALL - Selector fork	4.311	30.	COVER - 1st & 2nd speed shaft (Cup type plug)	4.313

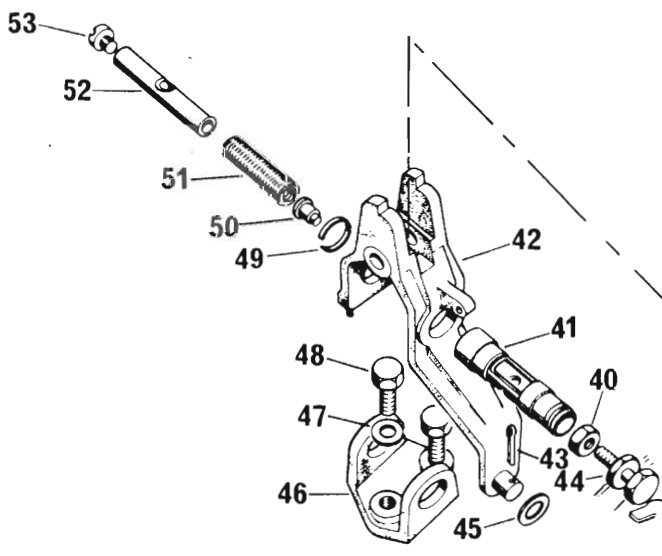


TRANSMISSION GEARS – 4 SPEED MANUAL
1600, 1760 Engine

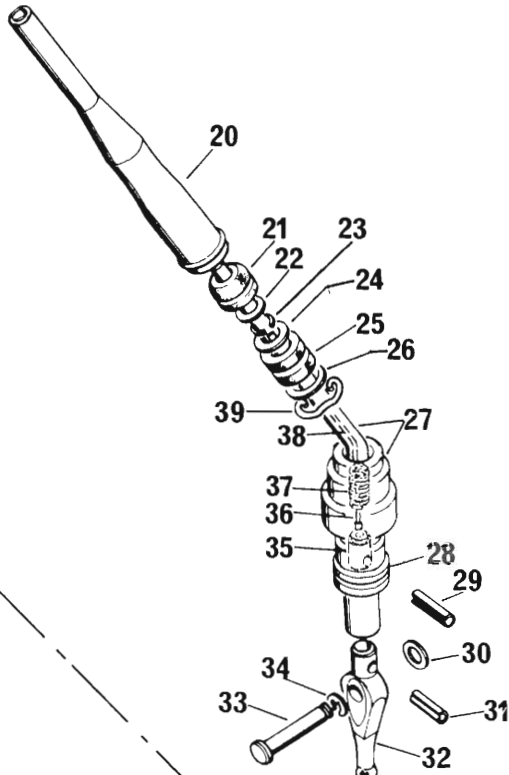
ILLUS. REF. NO.	PART NAME	GROUP	ILLUS. REF. NO.	PART NAME	GROUP
1.	GEAR – Clutch	4.351	21.	RING – Mainshaft rear bearing (small)	4.412
2.	RING – Clutch gear bearing (small)	4.376	22.	WASHER – Thrust, rear bearing	4.398
3.	BEARING – Clutch gear	4.355	23.	BEARING – Mainshaft rear	4.408
4.	RING – Clutch bearing retainer (large)	4.376	24.	RING – Mainshaft rear bearing (large)	4.412
5.	CONE – Synchronizing	4.383	25.	SHIM – Mainshaft	4.409
6.	SPRING – Sliding key	4.384	26.	GEAR – 1st speed	4.418
7.	GEAR & HUB ASSY. – 3rd & 4th speed	4.380	27.	RING – Sliding key	4.384
8.	KEY – 3rd & 4th speed sliding	4.384	28.	GEAR – Reverse idler	4.430
9.	GEAR – 3rd speed	4.415	29.	SPACER – Reverse idler gear	4.431
10.	RING – Synchronizing clutch	4.385	30.	SHAFT – Reverse idler	4.433
11.	BEARING – Needle roller	4.352	31.	BALL – Reverse idler shaft locking	4.433
12.	SPACER – Bearing	4.353	32.	WASHER – Thrust, countershaft front	4.423
13.	SHAFT – Transmission main	4.403	33.	BEARING – Countershaft ((needle roller) 4.422	
14.	GEAR – 2nd speed	4.395	34.	WASHER – Thrust, countershaft rear	4.423
15.	KEY – 2nd speed sliding	4.384	35.	SPACER – Countershaft bearing	4.423
16.	GEAR & HUB ASSY. – 1st & 2nd speed	4.380	36.	GEAR – Counter	4.421
17.	WASHER – Thrust, mainshaft to 1st gear ..	4.398	37.	SHAFT – Counter gear	4.428
18.	CIRCLIP – Speedometer driving gear	4.334	38.	BALL – Countershaft locking	4.428
19.	KEY – Speedometer driving gear	4.334	39.	BUSHING – 1st speed gear	4.418
20.	GEAR – Speedometer driving	4.337	40.	SLEEVE – 1st speed bearing	4.419



A **E**



VIEW **A**

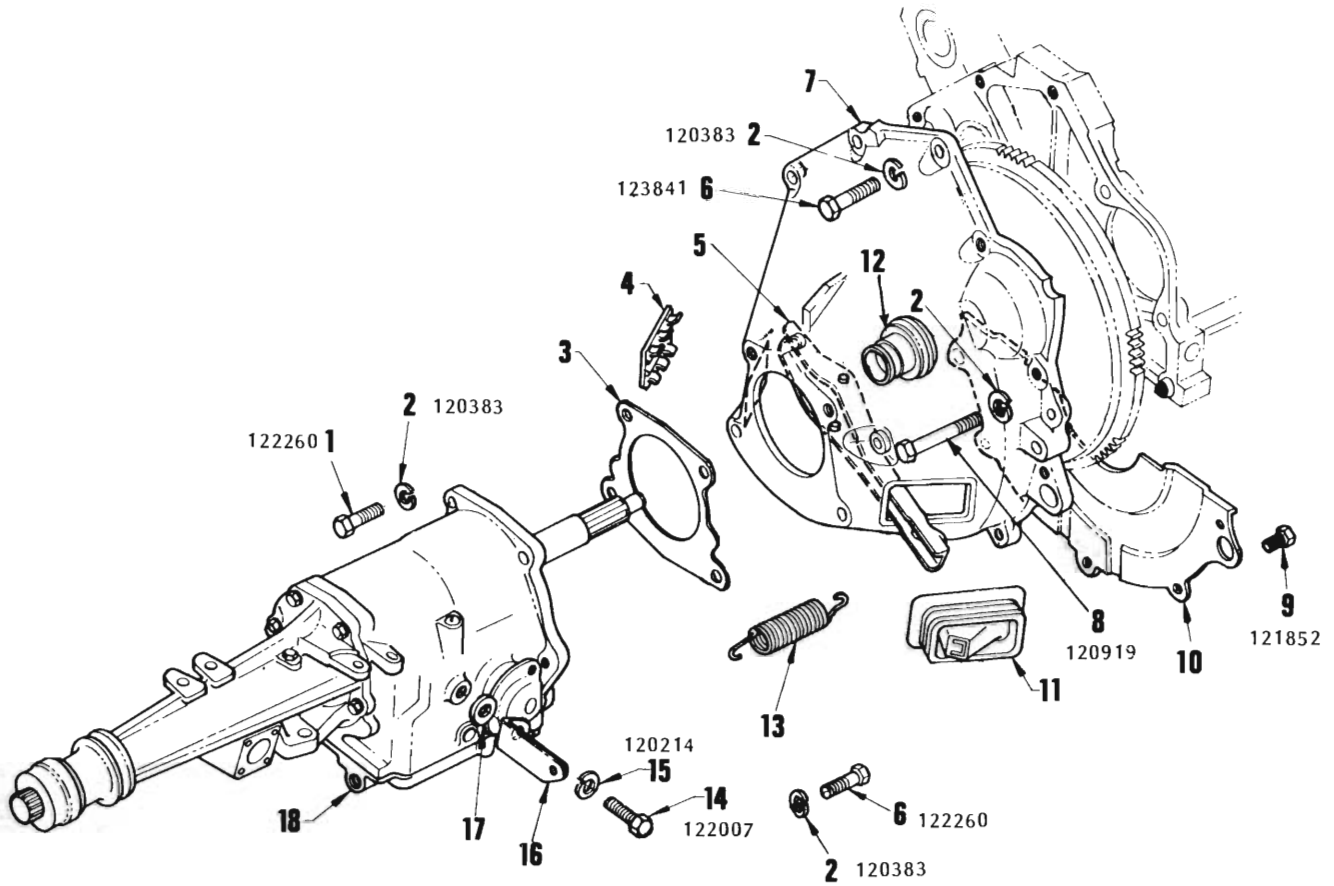


VIEW **E**

GEARSHIFT LEVER ASSEMBLY – 4 SPEED MANUAL TRANSMISSION
1600, 1760 Engine

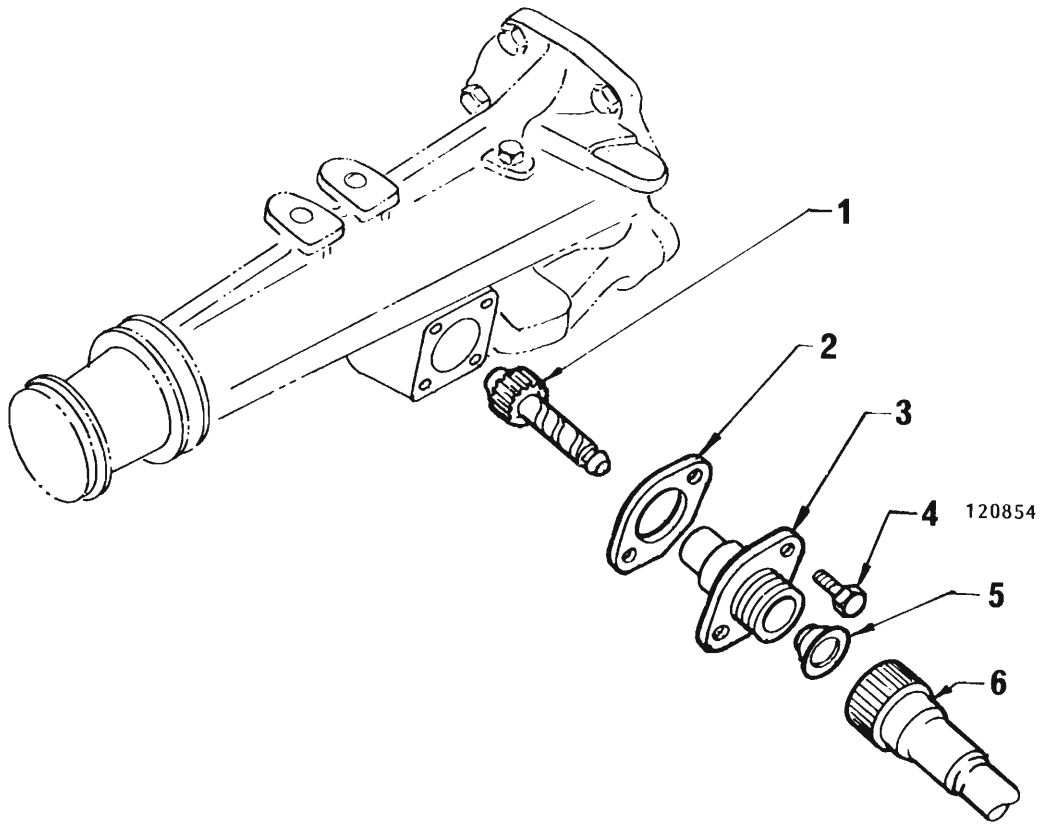
ILLUSTRATION OPPOSITE

ILLUS. REF. NO.	PART NAME	GROUP
1.	LEVER & BOOT ASSEMBLY – Gear shift	4.006
2.	RETAINER – Gearshift lever boot	4.015
3.	SPRING – Lever anti-rattle	4.020
4.	LEVER ASSEMBLY – Gearshift control	4.019
5.	WASHER – Control lever to external lever	4.019
6.	CLIP – Retainer, control lever to external lever	4.019
7.	LEVER – Selector	4.020
8.	WASHER – Fulcrum to extension housing	4.020
9.	FULCRUM – Selector lever	4.020
10.	WASHER – Control lever to inter. lever anti-rattle	4.019
11.	PIN – Control lever to intermediate lever	4.019
12.	INSULATOR – Gearshift lever	4.015
13.	BOOT – Gearshift lever	4.006
14.	KNOB – Gearshift lever	4.009
15.	SPRING – Reverse control	4.012
16.	PIECE – Release cable clamping	4.006
17.	SCREW – Clamping piece	4.006
18.	COVER ASSY. – Gearshift bush & carrier bracket	4.015
19.	CORD – Gearshift bush & carrier bracket cover	
20.	LEVER – Gearshift	4.006
21.	GROMMET – Gearshift cover upper	4.015
22.	SHIM – Gearshift finger upper	4.006
23.	CIRCLIP – Finger	4.006
24.	WASHER – Gearshift lever lock	4.006
25.	GROMMET – Gearshift lever lower	4.015
26.	WASHER – Gearshift lever special	4.006
27.	FINGER ASSY. – Gearshift	4.006
28.	ABUTMENT – Gearshift finger	4.006
29.	PIN – Abutment spring	4.006
30.	WASHER – Pin, anti-rattle	4.019
31.	PIN – Finger to shaft	4.006
32.	FINGER – Gearshift intermediate	4.006
33.	PIN – Gearshift control lever to intermediate lever	4.019
34.	CIRCLIP – Pin retaining	4.019
35.	NIPPLE – Release cable connecting	4.006
36.	CABLE – Reverse release	4.006
37.	SPRING – Release cable compression	4.006
38.	CABLE – Reverse release	4.006
39.	CIRCLIP – Gearshift lever	4.006
40.	NUT – Hex. jam, 5/16" – 24 light	8.916
41.	BUSH – Lever to shaft	4.019
42.	LEVER & PIN – Shift intermediate	4.019
43.	PIN – Control lever to intermediate lever	4.019
44.	SCREW – Carrier shaft selector lever adjusting	4.019
45.	WASHER – Control lever to inter. lever anti-rattle	4.019
46.	BRACKET – Gearshift carrier	4.019
47.	WASHER – Lock, 5/16" medium	8.931
48.	BOLT – Bracket to extension housing	4.019
49.	CIRCLIP – Bush to lever	4.019
50.	PAD – Carrier shaft anti-rattle	4.019
51.	SPRING – Carrier shaft anti-rattle	4.019
52.	SHAFT – Gearshift lever carrier	4.019
53.	SCREW – Carrier shaft anti-rattle spring	4.019



TRANSMISSION & CLUTCH HOUSING
1600, 1760 Engine

ILLUS. REF. NO.	PART NAME	GROUP	ILLUS. REF. NO.	PART NAME	GROUP
1.	BOLT - 7/16" - 14 x 1.1/8"	8.900	10.	COVER - Clutch housing	0.679
2.	WASHER - Lock 7/16"	8.931	11.	SEAL - Clutch fork	0.797
3.	GASKET	4.004	12.	BEARING ASSY. - Clutch throwout	0.799
4.	COVER - Clutch fork slot	0.686	13.	SPRING - Clutch return	0.844
5.	FORK ASSY. - Clutch	0.795	14.	BOLT - 5/16" - 18 x 3/4"	8.900
6.	BOLT - 7/16" - 20 x 1.1/4"	8.900	15.	WASHER - Lock 5/16"	8.931
7.	HOUSING - Clutch	0.683	16.	BRACKET - Return spring	0.846
8.	BOLT - 7/16" - 20 x 1.3/4"	8.900	17.	WASHER - Bracket	0.846
9.	BOLT - 3/8" - 16 x 1/2"	8.900	18.	TRANSMISSION ASSY.	4.003



SPEEDOMETER GEAR & CABLE – 4 SPEED MANUAL TRANSMISSION
1600, 1760 Engine

ILLUS. REF. NO.	PART NAME	GROUP	ILLUS. REF. NO.	PART NAME	GROUP
1.	GEAR – Driven	4.337	4.	BOLT – 1/4" – 20 x 5/8"	8.900
2.	GASKET – Housing	4.337	5.	SEAL	4.342
3.	HOUSING – Driven gear	4.337	6.	CABLE & CASING	4.342

HOLDEN "LJ" PARTS CATALOGUE

GROUP	DESCRIPTION	MODEL	SIDE	PART No.	QTY.
TRANSMISSION ASSEMBLY, FOUR SPEED MANUAL CONTROL FITTED IN VEHICLES EQUIPPED WITH 1600, 1760 4 CYLINDER ENGINES					
4.003	TRANSMISSION				
	TRANSMISSION ASSEMBLY	ALL		2694482	1
4.004	GASKET – Transmission case to clutch housing				
	GASKET	ALL		7140240	1
4.005	GASKET & SEAL KIT – Transmission				
	GASKET & SEAL KIT	ALL		2824040	1
4.006	LEVER and BOOT – Gearshift control				
	LEVER & BOOT ASSEMBLY	ALL		2699587	1
	LEVER	ALL		8834364	1
	PIECE - Cable clamping	ALL		8834397	1
	SCREW - Clamping piece	ALL		192208	1
	COLLAR - Reverse baulk release	ALL		8838280	1
	SHIM - Finger upper	ALL		8838471	1
	FINGER ASSY.	1600 Eng.		⁽¹¹⁹⁾ 8834389	1
	FINGER ASSY.	ALL		⁽¹²⁰⁾ 2699583	1
	CABLE - Reverse baulk release	ALL		8838340	1
	NIPPLE - Release cable connector	ALL		8953215	1
	SPRING - Release cable	ALL		8953564	1
	ABUTMENT - Finger assy.	ALL		8953627	1
	PIN - Finger abutment spring	ALL		8838473	1
	FINGER - Intermediate	1600 Eng.		⁽¹¹⁹⁾ 8953218	1
	FINGER - Intermediate	ALL		⁽¹²⁰⁾ 2699574	1
	PIN - Finger to shaft	1600 Eng.		⁽¹¹⁹⁾ 8838469	1
	CIRCLIP - Finger	1600 Eng.		⁽¹¹⁹⁾ 8838472	1
	CIRCLIP - Finger	ALL		⁽¹²⁰⁾ 6388284	1
	WASHER - Lever lock	ALL		2886929	1
	WASHER - Lever	ALL		2897510	1
	CIRCLIP - Lever	ALL		8838470	1
4.009	KNOB – Gearshift control lever				
	KNOB	ALL		2692522	1
4.012	SPRING – Reverse control				
	SPRING - (Compression)	ALL		8957856	1
4.015	COVER, RETAINER, INSULATOR – Gearshift lever				
	COVER ASSEMBLY - Gearshift lever	ALL		2820697	1
	RETAINER - Gearshift lever cover upper	ALL		2823569	1
	RETAINER - Gearshift lever cover	ALL		2820698	1
	NUT - Cover to console flat type spring 1/8"	ALL		SP 1534	4
	BOOT - Gearshift lever	ALL		8854274	1
	RETAINER - Gearshift lever boot	ALL		7211215	1
	INSULATOR - Gearshift lever	ALL		⁽¹¹⁹⁾ 8852481	1
	COVER ASSY - Gearshift bush & carrier bracket	ALL		8844947	1
	GROMMET - Gearshift cover upper	ALL		2865035	1
	GROMMET - Gearshift cover lower	ALL		2682224	1
4.019	LEVER, PAD, PIN, SCREW, SHAFT, SPRING – Gearshift control				
	LEVER & PIN - Shift intermediate	ALL		8953233	1
	BRACKET - Lever carrier	ALL		8834180	1
	BOLT - Bracket to extension housing	ALL		122017	2
	PIN - Gearshift control lever to intermediate lever	ALL		2874894	1
	WASHER - Pin anti-rattle	ALL		7400949	1
	CIRCLIP - Pin retaining	ALL		8838466	1

Note: ⁽¹¹⁹⁾ Use with lever with finger with sleeve.
⁽¹²⁰⁾ Use with lever with finger without sleeve.

HOLDEN "LJ" PARTS CATALOGUE

GROUP	DESCRIPTION	MODEL	SIDE	PART No.	QTY.
TRANSMISSION ASSEMBLY, FOUR SPEED MANUAL CONTROL					
FITTED IN VEHICLES EQUIPPED WITH 1600, 1760 4 CYLINDER ENGINES					
4.019	LEVER, PAD, PIN, SCREW, SHAFT, SPRING – Gearshift control (contd.)				
	SHAFT – Gearshift lever carrier	ALL		8838194	1
	BUSH – Lever to shaft	ALL		2893967	1
	CIRCLIP – Bush to lever	ALL		8838467	1
	SCREW – Carrier shaft anti-rattle spring	ALL		6393142	1
	SPRING – Carrier shaft anti-rattle	ALL		6379877	1
	PAD – Carrier shaft anti-rattle	ALL		6379876	1
	SCREW – Carrier shaft selector lever adjusting	ALL		8834377	1
	LEVER ASSEMBLY – Gearshift control	ALL		8838349	1
	WASHER – Control lever to intermediate lever anti-rattle	ALL		7400949	1
	PIN – Control lever to intermediate lever	ALL		8838468	1
	WASHER – Control lever to external lever	ALL		8838200	1
	CLIP – Retainer, control lever to external lever	ALL		7205727	1
4.020	LEVER, SPRING, FULCRUM – Selector lever				
	LEVER	1600 up to Eng. No. 3278457		8855692	1
	LEVER	1600 from Eng. No. 3278458		2682298	1
	LEVER	1760 Eng.		2682298	1
	CLIP – Lever retainer	ALL		8838223	1
	SPRING – Lever anti-rattle	ALL		2687336	1
	FULCRUM – Selector lever	ALL		8834379	1
	WASHER – Fulcrum to extension housing	ALL		8838245	1
	NUT – Selector lever to extension housing (Hex. 1/4" – 28 self lock)	ALL		SP1229	1
4.081	BRACKET, MOUNTING – Transmission mounting				
	BRACKET – Rear mounting	ALL		7205938	1
	SPACER – Rear mounting support to underbody	ALL		2820948	1
	MOUNTING ASSY.	ALL		7188948	1
	BOLT – Hex. hd. 3/8" – 16 x 1.25"	ALL		SP2036	4
	WASHER – Mounting to support	ALL		1038079	1
4.103	CASE – Transmission				
	CASE	ALL		7211158	1
	PLUG – Filler & drain	ALL		1014378	2
4.104	BREATHER – Transmission rear cover				
	BREATHER	ALL		7107293	1
4.105	COVER – Transmission				
	COVER	ALL		7198327	1
	DOWEL – Cover	ALL		6305908	2
	BOLT – Cover fixing 1/16" long special	ALL		7129795	5
	BOLT – Cover fixing 1/16" long special	ALL		7129794	5
4.109	GASKET – Transmission cover				
	GASKET	ALL		2689300	1
4.300	FORK and ROD – Transmission selector				
	FORK & ROD ASSEMBLY – 1st and 2nd speed	ALL		9958649	1
	FORK & ROD ASSEMBLY – 3rd and 4th speed	ALL		6358159	1
	FORK & ROD ASSEMBLY – Reverse speed	ALL		7181333	1

HOLDEN "LJ" PARTS CATALOGUE

GROUP	DESCRIPTION	MODEL	SIDE	PART No.	QTY.
TRANSMISSION ASSEMBLY, FOUR SPEED MANUAL CONTROL					
FITTED IN VEHICLES EQUIPPED WITH 1600, 1760 4 CYLINDER ENGINES					
4.301	SHAFT, PIN, COUPLING, SEAL – Transmission selector				
	SHAFT ASSEMBLY – Selector with levers	ALL		(¹²¹ 8834390	1
	SHAFT ASSY. – Selector with levers	1760 Eng.		(¹²² 9962092	1
	PIN – Selector levers to shaft	ALL		7202315	7
	COUPLING ASSEMBLY	ALL		8838109	1
	SCREW – Set, coupling to shaft	ALL		8818876	1
	SEAL – Shaft, inner	ALL		7142937	1
	SEAL – Shaft, outer	ALL		6309501	1
4.311	BALL, SPRING, SCREW – Transmission selector fork				
	BALL – Fork locking $\frac{5}{16}$ " (Steel)	ALL		104919	A.R.
	SPRING – Fork ball	ALL		6350351	2
	SPRING – Locking ball (Lower cover)	ALL		6375068	1
	SCREW – Locking ball spring	ALL		7140079	A.R.
	WASHER – Spring screw (Fibre)	ALL		7140080	A.R.
4.313	COVER – Transmission selector shaft and fork				
	COVER – Selector shaft	ALL		8838271	1
	COVER – Selector fork (Cup Plug)	ALL		7146717	2
4.317	HOUSING, BUSHING, SEAL – Transmission extension				
	HOUSING	ALL		2682297	1
	BOLT – Housing, special $\frac{7}{8}$ " long	ALL		6375777	5
	BUSHING	ALL		7078854	1
	SEAL ASSEMBLY	1600 Eng.		7153576	1
	SEAL ASSEMBLY	1760 Eng.		8850997	1
4.318	GASKET – Transmission rear housing				
	GASKET	ALL		7138859	1
4.334	PAD, KEY, CIRCLIP – Speedometer driving and driven gear				
	PAD – Driven gear thrust	ALL		6325326	1
	KEY – Driving gear	ALL		6311219	1
	CIRCLIP – Driving gear	ALL		7139079	2
4.337	GEAR – Speedometer drive and driven				
	GEAR – Driven, 18 teeth	ALL		6379783	1
	GEAR – Driven, 19 teeth	ALL		6379784	1
	GEAR – Drive	ALL		7138685	1
4.337	HOUSING, GASKET – Speedometer driven gear				
	HOUSING – Driven gear	ALL		8827094	1
	GASKET – Housing	ALL		7202335	1
4.342	CABLE and CASING – Speedometer				
	CABLE & CASING	ALL		2822095	1
	CABLE KIT	ALL		VS10864	1
	SEAL – Cable	ALL		7149485	1
	CLIP – Casing	ALL		SP1885	1
4.351	GEAR – Clutch				
	GEAR	ALL		8851196	1

Note: (¹²¹ Square section on shaft end $\frac{3}{4}$ " long.
(¹²² Square section on shaft end $\frac{7}{8}$ " long.

HOLDEN "LJ" PARTS CATALOGUE

GROUP	DESCRIPTION	MODEL	SIDE	PART No.	QTY.
TRANSMISSION ASSEMBLY, FOUR SPEED MANUAL CONTROL					
FITTED IN VEHICLES EQUIPPED WITH 1600, 1760 4 CYLINDER ENGINES					
4.352	BEARING – Mainshaft front				
	BEARING – (Needle roller)	ALL		7138260	24
4.353	SPACER – Bearing mainshaft front				
	SPACER	ALL		7139077	1
4.355	BEARING – Clutch gear				
	BEARING	ALL		8851189	1
4.356	RETAINER – Clutch gear bearing				
	RETAINER	ALL		8851200	1
	WASHER – Retainer bolt special	ALL		1048975	5
4.358	GASKET – Clutch gear bearing retainer				
	GASKET	ALL		7138930	1
4.376	RING – Clutch gear bearing				
	RING – (Circlip) locating (Large)	ALL		7138973	1
	RING – (Circlip) retaining (Small)	ALL		8847737	1
4.380	GEAR and HUB – Synchronizing				
	GEAR & HUB ASSY – 1st, 2nd speed clutch & reverse	1600 Eng.		6397555	1
	GEAR & HUB ASSY. – 1st, 2nd speed clutch and reverse	1760 Eng.		7216687	1
	GEAR & HUB ASSY. – 3rd & 4th speed clutch	ALL		6397554	1
4.383	CONE – Synchronizing				
	CONE	ALL		7139251	4
4.384	KEY, SPRING – Synchronizing clutch				
	KEY – 2nd speed sliding (Grooved)	1600 Eng.		6375054	1
	KEY – 2nd speed sliding	ALL		8822156	2
	KEY – 3rd and 4th speed sliding (Grooved)	ALL		8822157	1
	KEY – 3rd and 4th speed sliding	ALL		8822157	2
	SPRING – Sliding key	ALL		7138862	2
4.385	RING – Synchronizing clutch				
	RING – .059" – .061"	ALL		⁽⁶⁹⁾ 7139078	A.R.
	RING – .062" – .064"	ALL		⁽⁶⁹⁾ 7139079	A.R.
	RING – .065" – .067"	ALL		⁽⁶⁹⁾ 7139080	A.R.
	RING – .068" – .070"	ALL		⁽⁶⁹⁾ 7139081	A.R.
	RING – .071" – .073"	ALL		⁽⁶⁹⁾ 7139082	A.R.
	RING – .074" – .076"	ALL		⁽⁶⁹⁾ 7139083	A.R.
	RING – .077" – .079"	ALL		⁽⁶⁹⁾ 7139084	A.R.
4.395	GEAR – Mainshaft second speed				
	GEAR	1600 Eng.		8822278	1
	GEAR	1760 Eng.		6342728	1
4.398	WASHER – Mainshaft bearing thrust				
	WASHER – Mainshaft bearing thrust	ALL		7138684	1
	WASHER – Mainshaft bearing thrust to 1st speed gear	ALL		6305907	1

Note: ⁽⁶⁹⁾ Selective Fit.

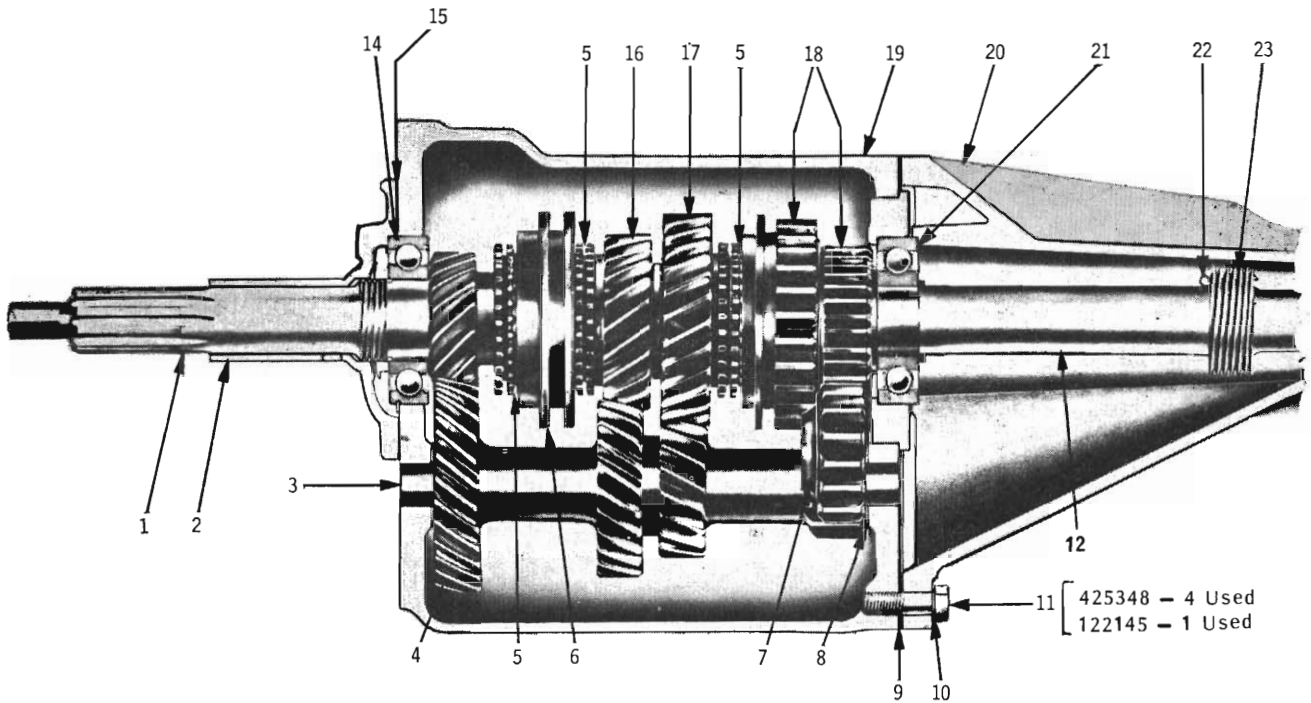
HOLDEN "LJ" PARTS CATALOGUE

GROUP	DESCRIPTION	MODEL	SIDE	PART No.	QTY.
TRANSMISSION ASSEMBLY, FOUR SPEED MANUAL CONTROL					
FITTED IN VEHICLES EQUIPPED WITH 1600, 1760 4 CYLINDER ENGINES					
4.403	SHAFT – Transmission main				
	SHAFT	ALL		7216348	1
4.408	BEARING – Mainshaft rear				
	BEARING – (Ball)	ALL		7146839	1
4.409	SHIM – Mainshaft front				
	SHIM – .003"	ALL		7139099	A.R.
	SHIM – .005"	ALL		7139100	A.R.
	SHIM – .010"	ALL		7139101	A.R.
4.412	RING – Mainshaft lock				
	RING – Mainshaft rear bearing locating (Large)	ALL		7138973	1
	RING – Mainshaft rear bearing retaining (Small)				
	.059" – .061"	ALL		⁽⁶⁹⁾ 7139078	A.R.
	.062" – .064"	ALL		⁽⁶⁹⁾ 7139079	A.R.
	.065" – .067"	ALL		⁽⁶⁹⁾ 7139080	A.R.
	.068" – .070"	ALL		⁽⁶⁹⁾ 7139081	A.R.
	.071" – .073"	ALL		⁽⁶⁹⁾ 7139082	A.R.
	.074" – .076"	ALL		⁽⁶⁹⁾ 7139083	A.R.
	.077" – .079"	ALL		⁽⁶⁹⁾ 7139084	A.R.
4.415	GEAR – Third speed				
	GEAR	1600 Eng.		8822279	1
	GEAR	1760 Eng.		6368099	1
4.418	GEAR – First speed				
	GEAR	1600 Eng.		7181511	1
	GEAR	1760 Eng.		8834351	1
	BUSHING	ALL		6392101	1
4.419	SLEEVE – First speed gear bearing				
	SLEEVE	ALL		7149600	1
4.421	GEAR – Counter				
	GEAR	1600 Eng.		8822277	1
	GEAR	1760 Eng.		8854084	1
4.422	BEARING – Counter gear				
	NEEDLE ROLLER	ALL		1037542	51
4.423	SPACER, WASHER – Countershaft				
	SPACER – Needle roller bearing	ALL		7138838	4
	WASHER – Thrust, front	ALL		6394636	1
	WASHER – Thrust, rear	ALL		7181442	1
4.428	SHAFT – Counter gear				
	SHAFT	ALL		2682240	1
	BALL – ¼" (Steel)	ALL		104918	1
4.430	GEAR – Reverse idler				
	GEAR	1600 Eng.		7181507	1
	GEAR	1760 Eng.		2693326	1

Note: ⁽⁶⁹⁾ Selective Fit.

HOLDEN "LJ" PARTS CATALOGUE

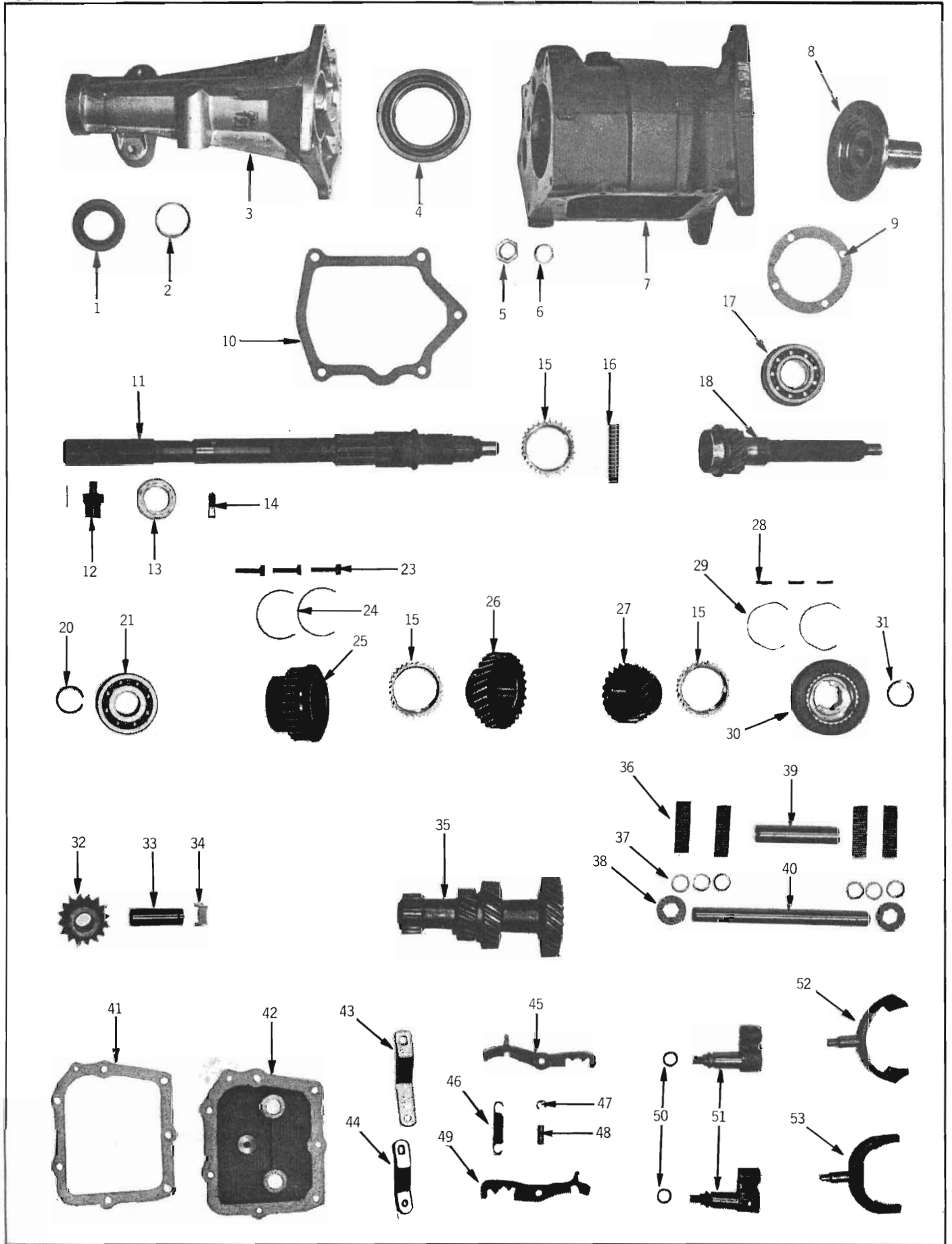
GROUP	DESCRIPTION	MODEL	SIDE	PART No.	QTY.
TRANSMISSION ASSEMBLY, FOUR SPEED MANUAL CONTROL					
FITTED IN VEHICLES EQUIPPED WITH 1600, 1760 4 CYLINDER ENGINES					
4.431	SPACER – Reverse idler gear				
	SPACER	1600 Eng.		7181339	1
4.433	SHAFT – Reverse idler gear				
	SHAFT	ALL		7147961	1
	BALL – ¼" (Steel)	ALL		104918	1



TRANSMISSION CASE and GEARS
Three Speed Fully Synchronized

ILLUS. REF. NO.	PART NAME	GROUP	ILLUS. REF. NO.	PART NAME	GROUP
1.	GEAR - Clutch	4.351	12.	SHAFT - Main	4.403
2.	RETAINER - Clutch gear bearing	4.356	14.	BEARING - Clutch gear	4.355
3.	SHAFT - Counter gear	4.428	15.	GASKET - Bearing retainer	4.358
4.	GEAR - Counter	4.421	16.	GEAR - 2nd Speed	4.395
5.	RING - Blocking	4.383	17.	GEAR - 1st Speed	4.418
6.	SYNCHRONIZER ASSY. - 2nd & 3rd Speed ..	4.380	18.	SYNCHRONIZER ASSY. - 1st & Reverse	4.380
7.	GEAR - Reverse idler	4.430	19.	CASE	4.103
8.	WASHER - Counter gear thrust	4.423	20.	HOUSING ASSY.	4.317
9.	GASKET	4.318	21.	BEARING ASSY. - Mainshaft rear	4.408
10.	WASHER	4.317	22.	CLIP - Speedo drive gear	4.338
11.	BOLT	8.900	23.	GEAR - Speedo drive	4.337

HOLDEN "LJ" PARTS CATALOGUE

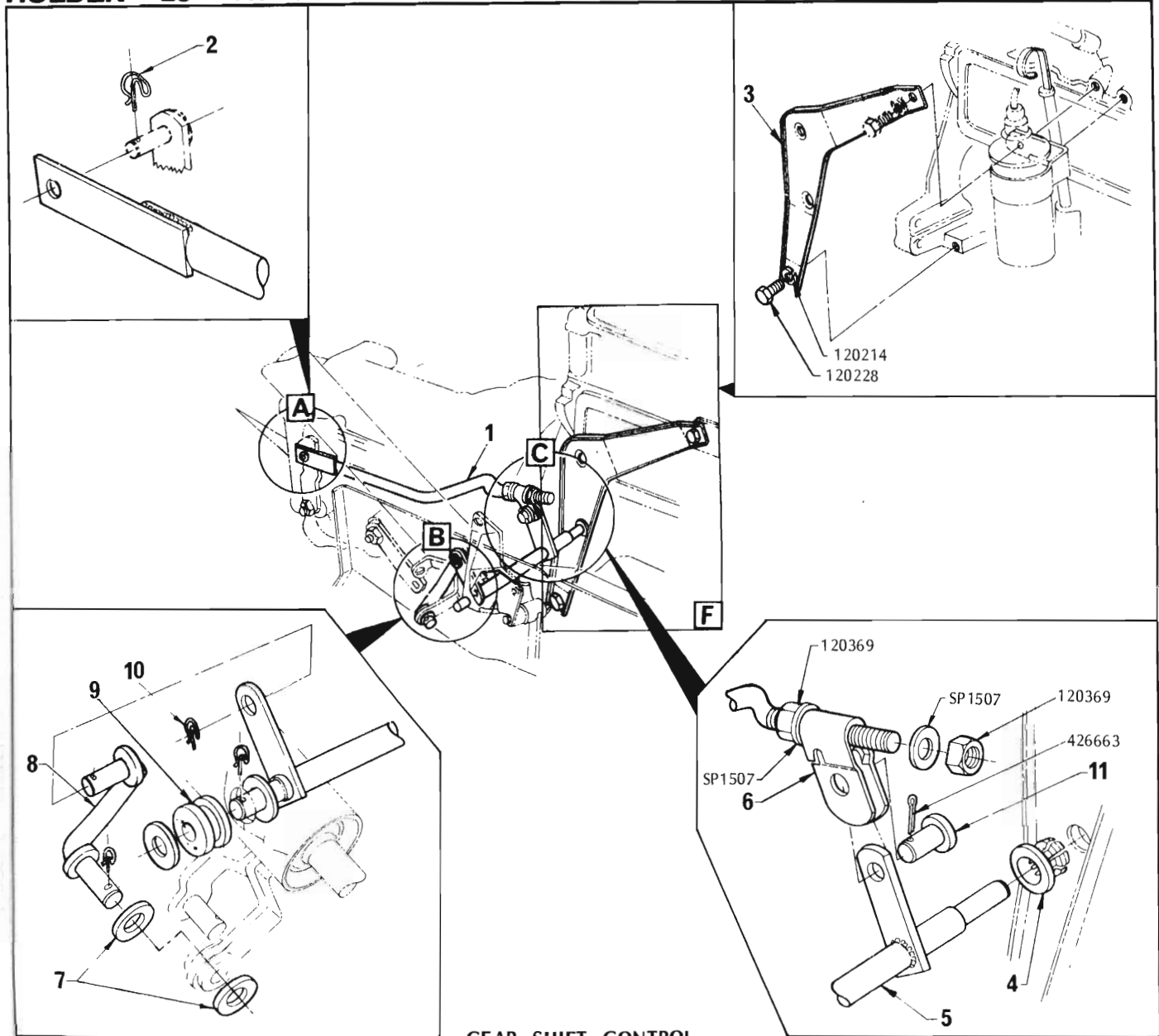


TRANSMISSION CASE AND GEARS
3 SPEED – FULLY SYNCHRONIZED TRANSMISSION

ILLUSTRATION OPPOSITE

ILLUS. REF. NO.	PART NAME	GROUP	ILLUS. REF. NO.	PART NAME	GROUP
1.	SEAL – Housing	4.317	28.	KEY – 2nd & 3rd synchronizer	4.384
2.	BUSHING – Housing	4.317	29.	SPRING – 2nd & 3rd synchronizer	4.383
3.	HOUSING ASSY.	4.317	30.	SYNCHRONIZER ASSY. – 2nd & 3rd.	4.380
4.	ADAPTOR – Rear bearing	4.317	31.	RING – 2nd & 3rd synchro to mainshaft..	4.382
5.	PLUG – Filler	4.103	32.	GEAR ASSY. – Reverse idler	4.430
6.	GASKET – Filler plug	4.103	33.	SHAFT – Reverse idler gear	4.433
7.	CASE	4.103	34.	KEY – Reverse idler gear shaft	4.433
8.	RETAINER	4.356	35.	REVERSE – Counter	4.421
9.	GASKET	4.358	36.	BEARING – Needle roller	4.422
10.	GASKET	4.318	37.	WASHER – Bearing	4.423
11.	SHAFT – Main	4.403	38.	WASHER – Gear thrust	4.423
12.	GEAR – Speedo driven	4.337	39.	SPACER – Bearing	4.423
13.	GEAR – Speedo drive	4.337	40.	SHAFT – Counter gear	4.428
14.	CLIP – Drive gear	4.338	41.	GASKET	4.109
15.	RING – Blocking	4.383	42.	COVER	4.105
16.	BEARING – Needle roller	4.352	43.	LEVER – 1st & rev. external	4.050
17.	BEARING – Clutch gear	4.355	44.	LEVER – 2nd & 3rd external	4.046
18.	GEAR – Clutch	4.351	45.	CAM – 1st & rev. detent	4.311
19.	NUT – Bearing retainer	4.357	46.	SPRING – Detent cam	4.311
20.	RING – Mainshaft lock	4.412	47.	RING – Detent cam	4.311
21.	BEARING ASSY. – Rear	4.408	48.	PIN – Detent cam	4.311
23.	KEY – 1st & rev. synchronizer	4.384	49.	CAM – 2nd & 3rd detent	4.311
24.	SPRING – 1st & rev. synchronizer	4.383	50.	SEAL – Shift shaft	4.309
25.	SYNCHRONIZER ASSY. 1st & rev.	4.380	51.	SHAFT ASSY. – Shift fork	4.309
26.	GEAR – First speed	4.418	52.	FORK – 1st & rev. shift	4.304
27.	GEAR – Second speed	4.395	53.	FORK – 2nd & 3rd Shift	4.303

HOLDEN "LJ" PARTS CATALOGUE

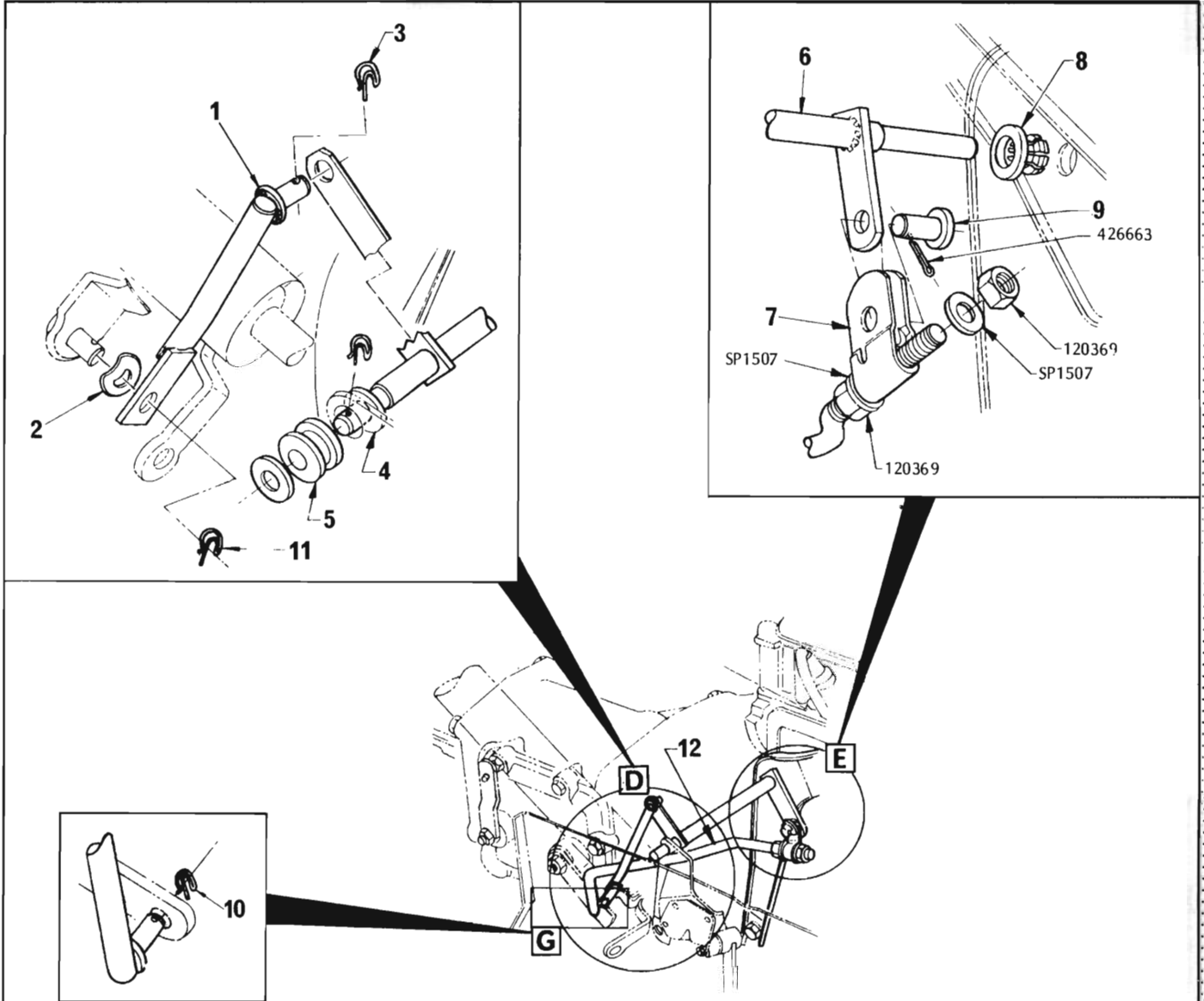


GEAR SHIFT CONTROL

3 SPEED FULLY SYNCHRONIZED TRANSMISSION

ILLUS. REF. NO.	PART NAME	GROUP
1.	ROD - Lower	4.020
2.	CLIP - Lower rod to selector lever	4.050
3.	BRACKET - Cross shaft to engine	4.019
4.	SLEEVE - Cross shaft	4.020
5.	CROSS SHAFT ASSY.	4.020
6.	CLAMP - Shift rod	4.020
7.	WASHER - Special	4.020
8.	ROD - Upper	4.020
9.	INSULATOR	4.020
10.	CLIP - Cross shaft	4.020
11.	PIN - Shift rod	4.020

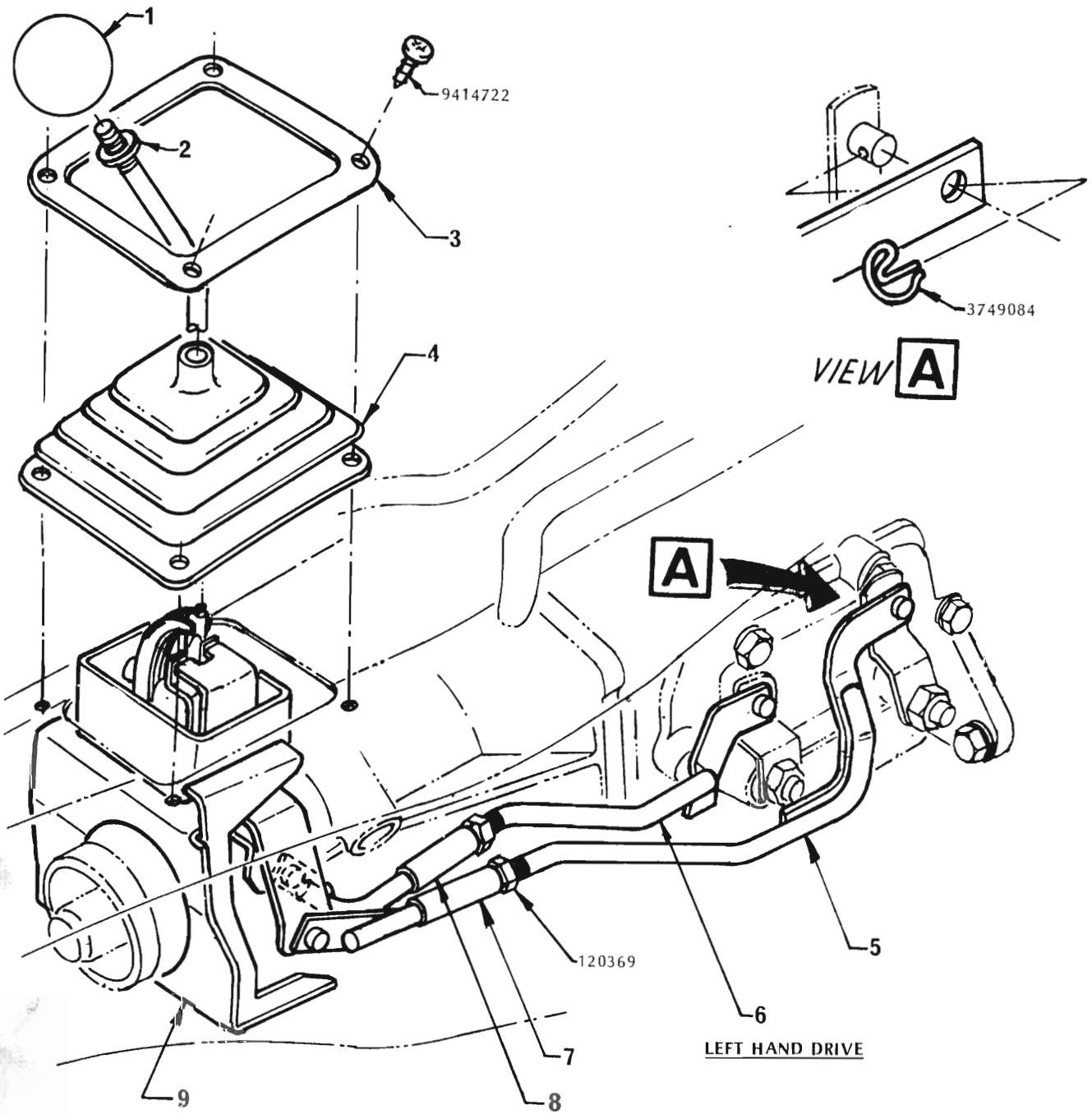
HOLDEN "LJ" PARTS CATALOGUE



GEAR SHIFT CONTROL

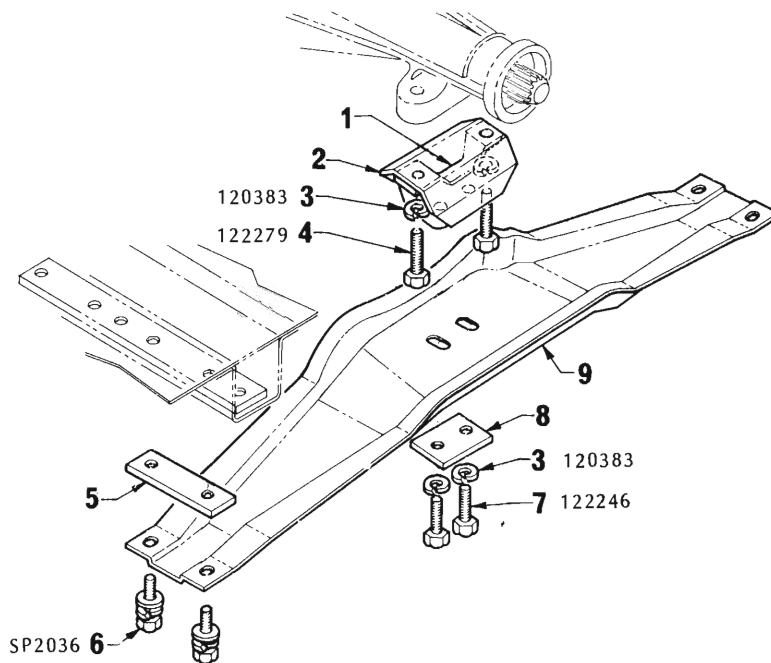
3 SPEED FULLY SYNCHRONIZED TRANSMISSION

ILLUS. REF. NO.	PART NAME	GROUP
1.	ROD - Upper	4.019
2.	WASHER - Anti-rattle	4.019
3.	CLIP - Upper rod	4.019
4.	WASHER - Special	4.019
5.	INSULATOR	4.019
6.	CROSS SHAFT ASSY.	4.019
7.	CLAMP - Shift rod	4.019
8.	SLEEVE - Cross shaft	4.019
9.	PIN - Shift rod	4.019
10.	CLIP - Lower rod to selector lever	4.019
11.	CLIP - Cross shaft	4.019
12.	ROD - Lower	4.019



TRANSMISSION CONTROL
3 Speed Fully Synchronized Transmission

ILLUS. REF. NO.	PART NAME	GROUP	ILLUS. REF. NO.	PART NAME	GROUP
1.	KNOB - Gearshift lever	4.009	6.	ROD ASSEMBLY - Front	4.020
2.	NUT - Gearshift lever lock	4.009	7.	ROD ASSEMBLY - Rear 2nd & 3rd shift	4.019
3.	RETAINER - Gearshift lever boot	4.015	8.	ROD ASSEMBLY - Rear 1st & Reverse shift	4.020
4.	BOOT - Gearshift lever	4.015	9.	LEVER & MOUNTING BRACKET ASSY. ...	4.006
5.	LEVER ASSEMBLY - Shift	4.019			



TRANSMISSION MOUNTING

ILLUS. REF. NO.	PART NAME	GROUP
1.	ARRESTOR — Engine rear mounting	4.081
2.	MOUNTING ASSEMBLY	4.081
3.	WASHER — Lock, 7/16" medium (cad or zinc)	8.931
4.	BOLT — Hex. hd. 7/16" — 14 x 1.3/8" (cad or zinc)	8.900
5.	SPACER — Support	4.081
6.	BOLT & WASHER ASSY.	4.081
7.	BOLT — Hex. hd. 7/16" — 14 x 7/8" (cad or zinc)	8.900
8.	REINFORCEMENT	4.081
9.	SUPPORT — Engine rear mounting	12.982

HOLDEN "LJ" PARTS CATALOGUE

GROUP	DESCRIPTION	MODEL	SIDE	PART No.	QTY.
TRANSMISSION ASSEMBLY, THREE SPEED MANUAL CONTROL FULLY SYNCHRONIZED					
FITTED IN VEHICLES EQUIPPED WITH 6 CYLINDER ENGINES					
4.003 TRANSMISSION					
TRANSMISSION ASSY.		RIGHT HAND DRIVE		2818926	1
		LEFT HAND DRIVE		2818927	1
OVERHAUL KIT	ALL	<i>M38206</i>	←	7449498	1
REPAIR KIT	ALL			2810932	1
BOLT & SPRING WASHER ASSY. - Trans. to clutch housing	ALL			SP2029	4
4.005 GASKET KIT - Transmission					
GASKET KIT	ALL			M37425	1
4.006 LEVER - Gearshift control					
LEVER ASSY. - With reinforcing strip		RIGHT HAND DRIVE		2818271	1
LEVER ASSY. - Less reinforcing strip		RIGHT HAND DRIVE		9929056	1
LEVER & MOUNTING BRACKET ASSY.		LEFT HAND DRIVE		2811591	1
LEVER & YOKE ASSY.		LEFT HAND DRIVE		2819373	1
4.007 TUBE - Gearshift control					
TUBE ASSY. - With reinforcing strip		RIGHT HAND DRIVE		2818268	1
TUBE ASSY. - Less reinforcing strip		RIGHT HAND DRIVE		9929052	1
PIN		RIGHT HAND DRIVE		7429551	1
4.009 KNOB - Gearshift control lever					
KNOB - Black		RIGHT HAND DRIVE		2813559BA	1
KNOB - Brown		RIGHT HAND DRIVE		2813559CJ	1
KNOB - Green		RIGHT HAND DRIVE		2813559CE	1
KNOB - Dark Ash		RIGHT HAND DRIVE		2813559DD	1
KNOB - Chestnut		RIGHT HAND DRIVE		2813559DG	1
KNOB		LEFT HAND DRIVE		7437692	1
NUT - Lock		LEFT HAND DRIVE		2805499	1
4.015 BOOT RETAINER - Gearshift control					
BOOT		LEFT HAND DRIVE		2811977	1
RETAINER - Boot		LEFT HAND DRIVE		2811968	1
4.017 SPRING - Gearshift					
SPRING - Lower control		RIGHT HAND DRIVE		7433264	1
SPRING - Selector return		RIGHT HAND DRIVE		2807897	1
SPRING - Control lever		LEFT HAND DRIVE		2819001	1
4.018 SUPPORT - Gearshift control					
SUPPORT		RIGHT HAND DRIVE		9933745	1
SPACER - Support		RIGHT HAND DRIVE		9933746	1
WASHER - Support		RIGHT HAND DRIVE		9933747	1
4.019 LEVER, RETAINER, ROD, CROSS SHAFT, SPACER, SLEEVE, SEAL - Gearshift 2nd & 3rd shift					
LEVER ASSY. - Lower		RIGHT HAND DRIVE		7450000	1
LEVER ASSY. - Shift		LEFT HAND DRIVE		2811596	1
WASHER - Wave, lever pre-load		LEFT HAND DRIVE		2814887	1
RETAINER - Lower lever		RIGHT HAND DRIVE	LH	2812593	1
			RH	2812592	1
NUT - Lever to shaft	ALL			7417652	1
ROD ASSY. - Upper		RIGHT HAND DRIVE		2825507	1
ROD - Lower		RIGHT HAND DRIVE		2805006	1
CLAMP - Shift rod		RIGHT HAND DRIVE		2806032	1
PIN - Shift rod		RIGHT HAND DRIVE		2806033	1
ROD ASSY. - Front		LEFT HAND DRIVE		2811589	1
ROD ASSY. - Rear		LEFT HAND DRIVE		2811593	1
RELAY ASSY.		RIGHT HAND DRIVE		2825503	1

HOLDEN "LJ" PARTS CATALOGUE

GROUP	DESCRIPTION	MODEL	SIDE	PART No.	QTY.
TRANSMISSION ASSEMBLY, THREE SPEED MANUAL CONTROL FULLY SYNCHRONIZED					
FITTED IN VEHICLES EQUIPPED WITH 6 CYLINDER ENGINES					
4.019	LEVER, RETAINER, ROD, CROSS SHAFT, SPACER, SLEEVE, SEAL – Gearshift 2nd & 3rd shift (contd.)				
	RETAINER – Rod	ALL		3749084	2
	INSULATOR – Transmission control	ALL		7418439	1
	WASHER – Special		RIGHT HAND DRIVE	7400948	2
	SHAFT – Lever		LEFT HAND DRIVE	2811341	1
	SLEEVE – Cross shaft		RIGHT HAND DRIVE	2805207	1
	SPACER – Lower control		RIGHT HAND DRIVE	2807707	1
	SPACER – Lever		LEFT HAND DRIVE	2811970	1
	BRACKET – Cross shaft to engine		RIGHT HAND DRIVE	2805074	1
4.020	LEVER, RETAINER, ROD, CROSS SHAFT, SLEEVE – Gear shift 1st & Reverse shift				
	LEVER – Lower		RIGHT HAND DRIVE	7449999	1
	LEVER ASSY. – Shift		LEFT HAND DRIVE	2811973	1
	WASHER – Wave, lever pre-load		LEFT HAND DRIVE	2814887	1
	RETAINER – Lower lever		RIGHT HAND DRIVE	2812591	1
	NUT – Lever to shaft	ALL		7417652	1
	ROD – Upper		RIGHT HAND DRIVE	2805003	1
	ROD – Lower		RIGHT HAND DRIVE	2805005	1
	CLAMP – Shift rod		RIGHT HAND DRIVE	2806032	1
	PIN – Shift rod		RIGHT HAND DRIVE	2806033	1
	ROD ASSY. – Front		LEFT HAND DRIVE	2811588	1
	ROD ASSY. – Rear		LEFT HAND DRIVE	2811592	1
	RETAINER – Rod	ALL		3749084	2
	INSULATOR – Transmission control	ALL		7418439	1
	WASHER – Special	ALL		7400948	2
	CROSS SHAFT ASSY.	ALL		2805001	1
	SLEEVE – Cross shaft	ALL		2805207	1
4.046	LEVER – 2nd & 3rd shifter				
	LEVER ASSEMBLY		RIGHT HAND DRIVE	2808127	1
	LEVER ASSY. – 2nd & 3rd		LEFT HAND DRIVE	2811962	1
	PIN – Lever		LEFT HAND DRIVE	2811594	1
	NUT – Lever	ALL		7417652	2
4.050	LEVER – 1st & reverse shifter				
	LEVER ASSY.		RIGHT HAND DRIVE	2811605	1
			LEFT HAND DRIVE	2811597	1
	NUT – Lever	ALL		7417652	1
4.081	MOUNTING, ARRESTOR – Transmission support				
	MOUNTING ASSY.	ALL		7432235	1
	ARRESTOR – Engine rear mounting	ALL		7432222	1
	REINFORCEMENT		RIGHT HAND DRIVE	⁽¹¹²⁾ 2807445	1
	REINFORCEMENT		RIGHT HAND DRIVE	⁽¹¹³⁾ 9928656	1
	REINFORCEMENT		LEFT HAND DRIVE	2807445	1
	SPACER – Support	ALL		2813651	2
	BOLT & WASHER ASSY.		RIGHT HAND DRIVE	⁽¹¹²⁾ SP2036	4
	BOLT & WASHER ASSY.		RIGHT HAND DRIVE	⁽¹¹³⁾ SP2154	4
	BOLT & WASHER ASSY.		LEFT HAND DRIVE	SP2036	4
4.103	CASE – Transmission				
	CASE	ALL		2822933	1
	PLUG – Transmission filler	ALL		7400181	1
	GASKET – Annular 3/4" filler plug	ALL		113897	1
	MAGNET – Chip collector	ALL		3787240	1

Note: ⁽¹¹²⁾ Prior to A.D.R. 10B.
⁽¹¹³⁾ Use with A.D.R. 10B.

HOLDEN "LJ" PARTS CATALOGUE

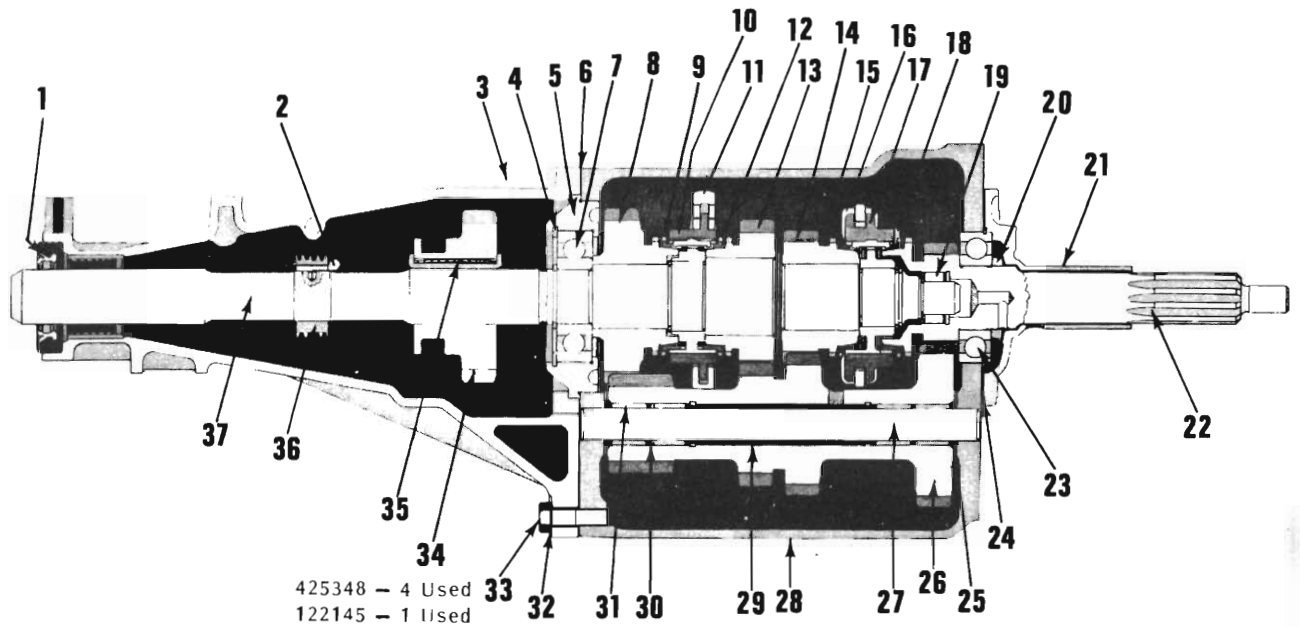
GROUP	DESCRIPTION	MODEL	SIDE	PART No.	QTY.
TRANSMISSION ASSEMBLY, THREE SPEED MANUAL CONTROL FULLY SYNCHRONIZED					
FITTED IN VEHICLES EQUIPPED WITH 6 CYLINDER ENGINES					
4.105	COVER – Transmission				
	COVER	ALL		7433771	1
	BOLT - Cover to case	ALL		SP2141	4
4.109	GASKET – Transmission cover				
	GASKET	ALL		7433769	1
4.303	FORK – Transmission shifter shaft 2nd & 3rd				
	FORK	ALL		7433775	1
4.304	FORK – Transmission shifter 1st & reverse				
	FORK	ALL		7433774	1
4.309	SHAFT, SEAL – Transmission shift fork				
	SHAFT ASSY.	ALL		7433869	2
	SEAL - Transmission shifter shaft	ALL		7430136	2
4.311	CAM, SPRING – Transmission detent				
	CAM - 1st & reverse detent	ALL		7433772	1
	CAM - 2nd & 3rd detent	ALL		7433773	1
	PIN - Detent cam	ALL		SP2094	1
	SPRING - Detent cam	ALL		7433927	1
4.317	HOUSING, ADAPTOR, BUSHING, SEAL – Transmission extension				
	HOUSING ASSY	ALL		7433768	1
	ADAPTOR - Transmission rear bearing	ALL		7433998	1
	BUSHING - Housing	ALL		3717682	1
	SEAL - Housing	ALL		3871649	1
	WASHER - Housing to case	ALL		7400256	4
4.318	GASKET – Transmission extension housing				
	GASKET	ALL		7433767	1
4.337	GEAR – Speedometer driven and drive				
	GEAR - Driven - 20 teeth <i>(WHITE)</i>	2.78 1 A.R		7430968	1
	GEAR - Driven - 22 teeth	3.08 1 A.R		7430970	1
	GEAR - Driven - 24 teeth	3.36 1 A.R		7430972	1
	GEAR - Drive	ALL		7437317	1
	CLIP - Drive gear	ALL		1379122	1
				<i>92018977</i>	
4.338	"O" RING – Speedometer driven and drive gear				
	"O" RING - $\frac{13}{16}$ " x $\frac{1}{8}$ "	ALL		7430921	1
4.342	CABLE and CASING – Speedometer				
	CABLE & CASING		RIGHT HAND DRIVE	2817827	1
			LEFT HAND DRIVE	2817828	1
	CASING		RIGHT HAND DRIVE	VS11035	1
	CABLE KIT		RIGHT HAND DRIVE	VS11028	1
	GROMMET - Speedo cable		RIGHT HAND DRIVE	7438395	1
	GROMMET - Speedo cable		LEFT HAND DRIVE	7433993	1
	CLIP - Pipe & cable to side rail	ALL		SP1885	1
	CLIP - Pipe & cable to side rail $\frac{5}{16}$ " - $\frac{3}{16}$ "			SP1546	1
	RETAINER - Casing drive end	ALL		7430917	1
	SEAL - Speedometer shaft	ALL		7434266	1
	RETAINER - Seal (nylon)	ALL		2817874	1

HOLDEN "LJ" PARTS CATALOGUE

GROUP	DESCRIPTION	MODEL	SIDE	PART No.	QTY.
TRANSMISSION ASSEMBLY, THREE SPEED MANUAL CONTROL FULLY SYNCHRONIZED					
FITTED IN VEHICLES EQUIPPED WITH 6 CYLINDER ENGINES					
4.351	GEAR – Clutch				
	GEAR – (Bearing retained by nut)	ALL		7433832	1
	GEAR – (Bearing retained by ring)	ALL		9930921	1
4.352	BEARING – Mainshaft, front				
	BEARING – Needle roller	ALL		7400162	15
	BEARING PACKAGE	ALL		7449495	1
4.354	SEAL – Clutch gear oil				
	SEAL	ALL		3987936	1
4.355	BEARING – Clutch gear				
	BEARING ASSY.	ALL		7429999	1
4.356	RETAINER – Clutch gear bearing				
	RETAINER	ALL		9930909	1
4.357	NUT – Clutch gear bearing retainer				
	NUT	ALL		591150	1
4.358	GASKET – Clutch gear bearing retainer				
	GASKET	ALL		591022	1
4.376	RING – Clutch gear bearing retainer				
	RING – .088" thick	ALL		3775052	1
	RING – .094" thick	ALL		3775050	1
4.380	SYNCHRONIZER – Transmission				
	SYNCHRONIZER ASSY. – 1st & reverse	ALL		7435045	1
	SYNCHRONIZER ASSY. – 2nd & 3rd	ALL		7435044	1
4.382	RING – Transmission synchronizer				
	RING – 2nd & 3rd synchro to mainshaft	ALL		3775089	1
4.383	SPRING, RING – Transmission synchronizer				
	SPRING – 1st & reverse	ALL		7437055	2
	SPRING – 2nd & 3rd	ALL		7438527	2
	RING – Blocking	ALL		7434978	3
4.384	KEY – Transmission synchronizer				
	KEY – 1st & reverse	ALL		7435047	3
	KEY – 2nd & 3rd	ALL		7435043	3
4.395	GEAR – Mainshaft second speed				
	GEAR	ALL		7433830	1
4.403	SHAFT – Transmission main				
	SHAFT	ALL		7433871	1
4.408	BEARING – Mainshaft rear				
	BEARING ASSY.	ALL		7433929	1
4.412	RING – Mainshaft lock				
	RING	ALL		3707189	1

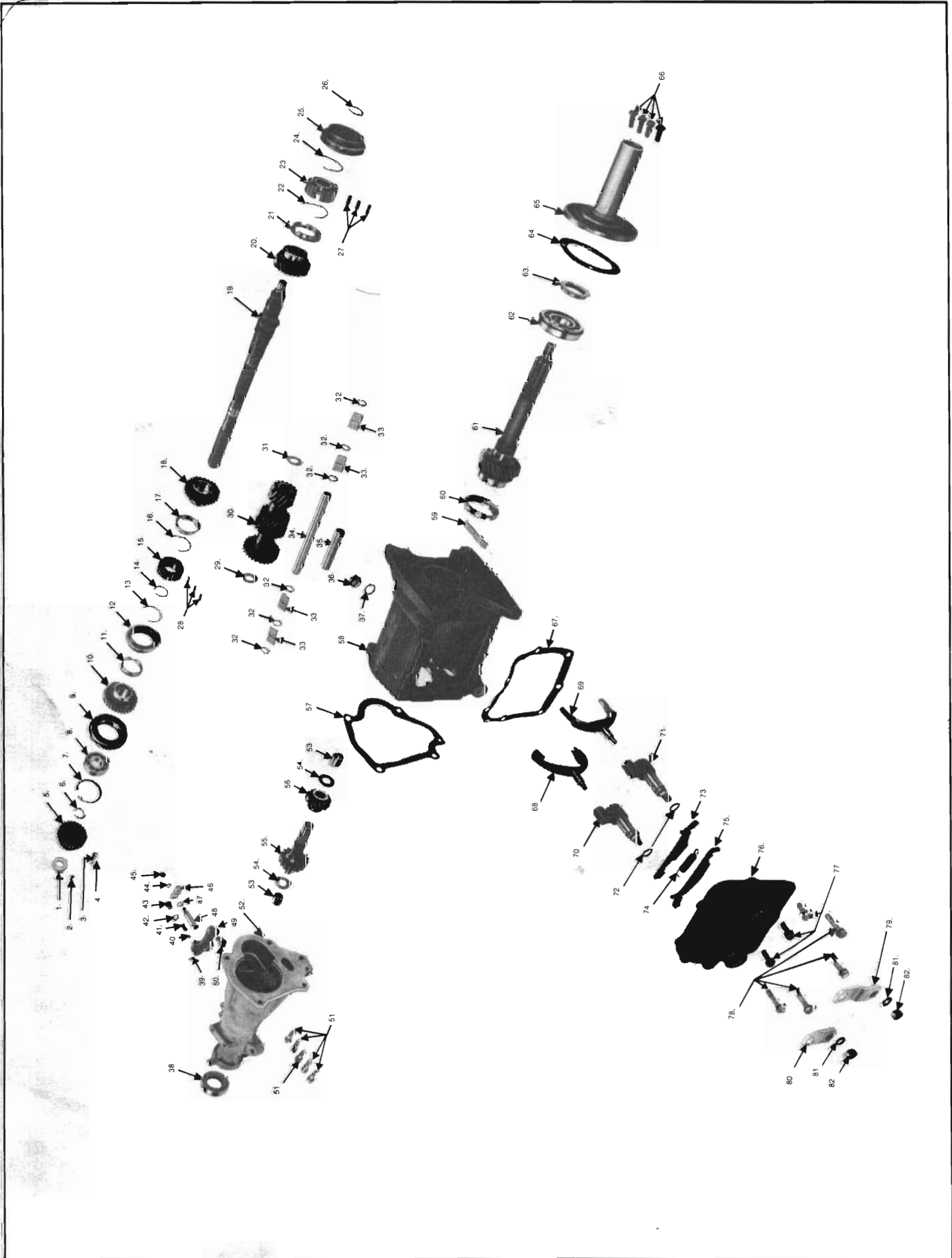
HOLDEN "LJ" PARTS CATALOGUE

GROUP	DESCRIPTION	MODEL	SIDE	PART No.	QTY.
TRANSMISSION ASSEMBLY, THREE SPEED MANUAL CONTROL FULLY SYNCHRONIZED					
FITTED IN VEHICLES EQUIPPED WITH 6 CYLINDER ENGINES					
4.418	GEAR – Mainshaft 1st speed				
	GEAR	ALL		7434308	1
4.421	GEAR – Counter				
	GEAR	ALL		7434307	1
4.422	BEARING – Counter gear				
	NEEDLE ROLLER	ALL		9414193	92
	BEARING PACKAGE	ALL		7449496	1
4.423	WASHER – Counter shaft				
	WASHER – Bearing	ALL		3775063	6
	SPACER – Bearing	ALL		7433928	1
	WASHER – Gear thrust	ALL		7433776	2
4.428	SHAFT – Counter gear				
	SHAFT	ALL		3775061	1
4.430	GEAR – Reverse idler				
	GEAR ASSY.	ALL		7433868	1
4.431	SPACER – Reverse idler gear				
	SPACER	ALL		2814480	1
4.433	SHAFT, KEY – Reverse idler gear				
	SHAFT	ALL		2814481	1
	KEY	ALL		7433986	1



**TRANSMISSION ASSEMBLY – FOUR SPEED MANUAL CONTROL
6 Cyl. Engine RIGHT HAND DRIVE**

ILLUS. REF. NO.	PART NAME	GROUP	ILLUS. REF. NO.	PART NAME	GROUP
1.	SEAL – Extension housing oil	4.317	20.	NUT – Bearing retainer	4.357
2.	CLIP – Speedometer drive gear	4.337	21.	RETAINER – Clutch gear bearing	4.356
3.	HOUSING – Rear extension	4.317	22.	GEAR – Clutch	4.351
4.	RING – Rear bearing locating	4.412	23.	BEARING – Clutch gear	4.355
5.	ADAPTOR – Rear bearing	4.317	24.	GASKET – Bearing retainer	4.358
6.	GASKET – Extension housing	4.318	25.	WASHER – Counter gear thrust	4.423
7.	BEARING – Main shaft rear	4.408	26.	GEAR – Counter	4.421
8.	GEAR – First speed	4.418	27.	SHAFT – Counter gear	4.428
9.	RING – Blocking	4.383	28.	CASE – Transmission	4.103
10.	SYNCHRONIZER ASSY. – 1st. & 2nd. speed	4.380	29.	SPACER – Counter gear bearing	4.423
11.	FORK – 1st. & 2nd. speed shift	4.303	30.	WASHER – Counter shaft bearing	4.423
12.	RING – Blocking	4.383	31.	BEARING – Needle roller	4.422
13.	GEAR – 2nd. speed	4.395	32.	WASHER	4.317
14.	GEAR – 3rd. speed	4.415	33.	BOLT – Hex hd. 3/8" – 16 w/washer	8.900
15.	RING – Blocking	4.383	34.	GEAR – Reverse	4.418
16.	FORK – 3rd. & 4th. speed shift	4.303	35.	PLATE – Reverse gear anti-lash	4.419
17.	SYNCHRONIZER ASSY. – 3rd. & 4th. speed	4.380	36.	GEAR – Speedometer drive	4.337
18.	RING – Blocking	4.383	37.	SHAFT – Main	4.403
19.	BEARING – Needle roller	4.352			

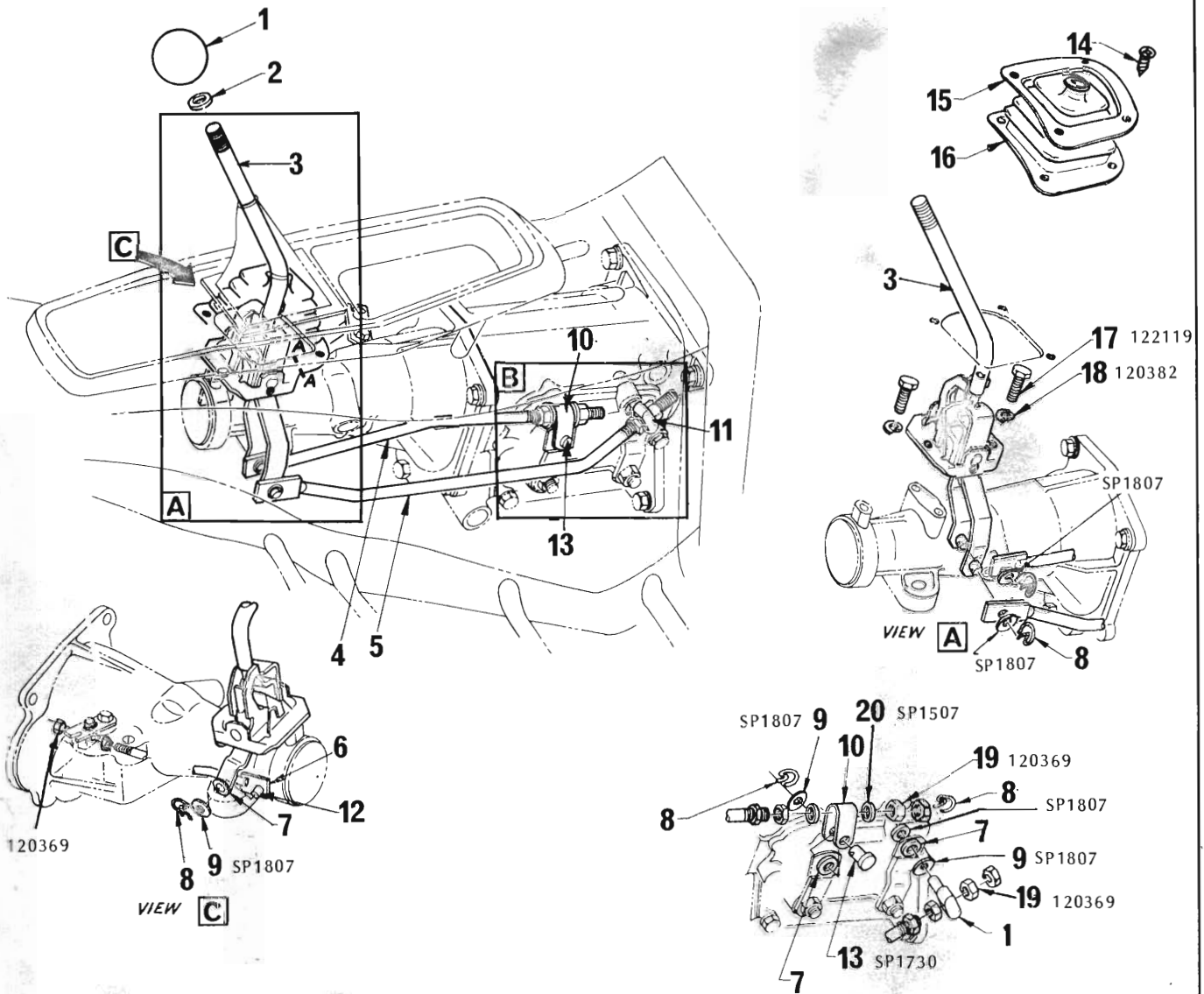


**TRANSMISSION ASSEMBLY, FOUR SPEED MANUAL CONTROL
6 Cylinder Engine
RIGHT HAND DRIVE**

ILLUSTRATION OPPOSITE

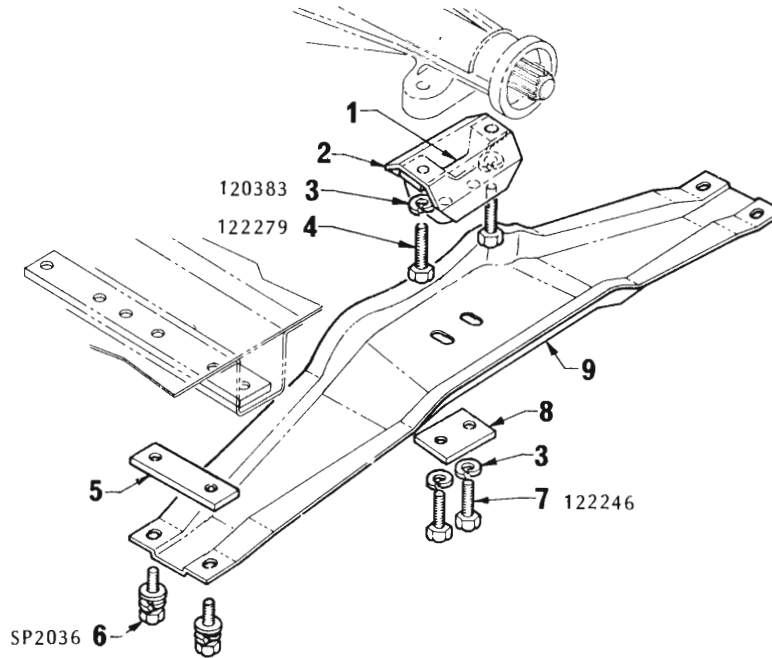
ILLUS. REF. NO.	PART NAME	GROUP	ILLUS. REF. NO.	PART NAME	GROUP
1.	GEAR - Drive	4.337	39. (A)	PIN	8.941
2. (A)	CLIP - Drive gear	4.337	40. (A)	BALL - Reverse detent	4.311
3. (A)	SPRING - Anti Lash plate	4.419	41. (A)	SPRING - Reverse detent	4.311
4.	PLATE - Anti Lash	4.419	42.	WASHER - Reverse detent	4.311
5.	GEAR - Reverse	4.418	43.	BOLT	8.900
6. (A)	RING - Mainshaft lock	4.412	44.	WASHER - Lock	8.931
7. (A)	RING - Locating	4.412	45.	NUT - Lever to shaft	4.045
8. (A)	BEARING - Rear	4.408	46.	LEVER - Reverse, external	4.045
9.	ADAPTOR - Rear bearing	4.317	47. (A)	SEAL - "O" Ring reverse shift shaft ..	4.309
10.	GEAR - First speed	4.418	48.	SHAFT - Reverse shift	4.309
11.	RING - Blocking	4.383	49.	LEVER - Reverse internal shift	4.316
12/13/15/16	SYNCHRONIZER ASSY. - 1st & 2nd speed	4.380	50	YOKE - Reverse shifter	4.304
13. (A)	SPRING - Synchronizer - 1st & 2nd speed	4.383	51.	BOLT	8.900
14. (A)	RING - Synchronizer retainer - 1st & 2nd speed	4.382	52.	HOUSING - Rear extension	4.317
16. (A)	SPRING - Synchronizer 1st & 2nd speed	4.383	53. (A)	BUSHING - Reverse idler	4.433
17.	RING - Blocking	4.383	54. (A)	WASHER - Idler gear thrust	4.432
18.	GEAR - 2nd speed	4.395	55.	GEAR - Reverse idler, rear	4.430
19.	SHAFT - Main	4.403	56.	GEAR - Reverse idler, front	4.430
20.	GEAR - 3rd speed	4.415	57. (A)	GASKET - Rear extension housing	4.318
21.	RING - Blocking	4.383	58.	CASE - Transmission	4.103
22. (A)	SPRING - Synchronizer 3rd & 4th speed	4.383	59. (A)	BEARING - Needle roller	4.352
22/23/24/25	SYNCHRONIZER ASSY. - 3rd & 4th speed	4.380	60.	RING - Blocking	4.383
24. (A)	SPRING - Synchronizer 3rd & 4th speed	4.383	61.	GEAR - Clutch	4.351
26. (A)	RING - Synchronizer retainer 3rd & 4th speed	4.382	62. (A)	BEARING - Clutch gear	4.355
27. (A)	KEY - Synchronizer 3rd & 4th speed	1.384	63. (A)	NUT - Bearing retainer	4.357
28. (A)	KEY - Synchronizer 1st & 2nd speed	4.384	64. (A)	GASKET - Bearing retainer	4.358
29. (A)	WASHER - Gear thrust	4.423	65.	RETAINER - Clutch gear bearing	4.356
30.	GEAR - Counter	4.421	66.	BOLT	8.900
31. (A)	WASHER - Gear thrust	4.423	67. (A)	GASKET - Cover	4.109
32. (A)	WASHER - Counter shaft bearing	4.423	68.	FORK - 1st & 2nd speed shift	4.303
33. (A)	BEARING - Needle roller	4.422	69.	FORK - 3rd & 4th speed shift	4.303
34. (A)	SHAFT - Counter gear	4.428	70.	SHAFT ASSY. - Shifter fork	4.309
35. (A)	SPACER - Counter gear bearing	4.423	71.	SHAFT ASSY. - Shifter fork	4.309
36.	PLUG - Filler	4.103	72. (A)	SEAL - "O" Ring shift shaft	4.309
37. (A)	GASKET - Filler plug	4.103	73.	CAM - 1st & 2nd speed detent	4.311
38. (A)	SEAL - Extension housing oil	4.317	74. (A)	SPRING - Detent cam	4.311
			75.	CAM - 3rd & 4th speed detent	4.311
			76.	COVER	4.105
			77.	BOLT	8.900
			78.	BOLT	8.900
			79.	LEVER - 3rd & 4th speed shift	4.045
			80.	LEVER - 1st & 2nd speed shift	4.045
			81.	WASHER - Lock	8.931
			82.	NUT - Lever to shaft	4.045

NOTE: (A) Parts are included in Repair Kit, refer Group 4.003



GEARSHIFT CONTROL – CONSOLE SHIFT
6 Cylinder Engine Right Hand Drive

ILLUS. REF. NO.	PART NAME	GROUP	ILLUS. REF. NO.	PART NAME	GROUP
1.	KNOB	4.009	12.	PIN – Reverse rod	4.035
2.	NUT	4.009	13.	PIN – 1st & 2nd lever	4.030
3.	LEVER & YOKE ASSY.	4.006	14.	SCREW – Pan hd. tap. No.10 – 16 x 1/2"	8.977
4.	ROD – 1st & 2nd speed	4.035	15.	RETAINER – Boot	4.015
5.	ROD – 3rd & 4th speed	4.035	16.	BOOT	4.015
6.	ROD – Reverse speed	4.035	17.	BOLT – Hex.hd. 3/8" – 16 x 3/4"	8.900
7.	INSULATOR	4.035	18.	WASHER – Spring lock 3/8"	8.931
8.	RETAINER	4.035	19.	NUT – Hexagon 3/8" – 24	8.915
9.	WASHER	8.929	20.	WASHER – Flat 5/8"	8.929
10.	CLAMP – Rod	4.035			
11.	TRUNNION – 3rd & 4th rod	4.035			



TRANSMISSION MOUNTING

ILLUS. REF. NO.	PART NAME	GROUP
1.	ARRESTOR - Engine rear mounting	4.081
2.	MOUNTING ASSEMBLY	4.081
3.	WASHER - Lock, 7/16" medium (cad or zinc)	8.931
4.	BOLT - Hex. hd. 7/16" - 14 x 1.3/8" (cad or zinc)	8.900
5.	SPACER - Support	4.081
6.	BOLT & WASHER ASSY.	4.081
7.	BOLT - Hex. hd. 7/16" - 14 x 7/8" (cad or zinc)	8.900
8.	REINFORCEMENT	4.081
9.	SUPPORT - Engine rear mounting	12.982

NOTES

HOLDEN "LJ" PARTS CATALOGUE

GROUP	DESCRIPTION	MODEL	SIDE	PART No.	QTY.
TRANSMISSION ASSEMBLY, FOUR SPEED MANUAL CONTROL					
Fitted only in RIGHT HAND DRIVE vehicles equipped with 6 cylinder engines					
4.003	TRANSMISSION, REPAIR KIT				
	TRANSMISSION ASSEMBLY	Exc. XU1 Eng.		9930986	1
	TRANSMISSION ASSEMBLY	XU1 Eng.		9929153	1
	OVERHAUL KIT	ALL	M38212 ←	M37557	1
	BOLT & SPRING WASHER ASSY. - Trans. to clutch housing	ALL		SP2029	4
4.006	LEVER - Gearshift control				
	LEVER & MOUNT. BRACKET ASSY.	ALL	N.L.A.	2812313	1
	LEVER & YOKE ASSEMBLY	ALL	N.L.A.	2819374	1
	SPRING - Lever & yoke preload	ALL		2822917	1
4.009	KNOB - Gear shift control lever				
	KNOB	Exc. GTR		2817736	1
	NUT - Knob lock	Exc. GTR		2805499	1
	KNOB	GTR	9946729	2817737	1
4.010	MOUNTING - Gearshift control lever				
	MOUNTING ASSEMBLY	ALL		2814941	1
4.015	BOOT, SEAL, COVER RETAINER - Gearshift control				
	BOOT	ALL		2811977	1
	RETAINER - Boot	ALL	N.L.A.	2812312	1
	COVER	ALL		2822888	1
	RETAINER	ALL		2820698	1
	NUT - Cover to console	ALL		SP1534	4
4.017	SPRING - Gearshift				
	SPRING - Lever pull	ALL		2819001	1
4.030	LEVER, SHAFT, SLEEVE, PIN - Transmission control				
	LEVER - 1st & 2nd shift	ALL	9943905	2811327	1
	LEVER - 3rd & 4th shift	ALL		2811328	1
	LEVER - Reverse shift	ALL		2811329	1
	SHAFT - Control lever	ALL		2814806	1
	SLEEVE - Reverse lockout spring	ALL		2820682	1
	PIN - 1st & 2nd lever	ALL		SP1730	1
	WASHER - 3rd & 4th lever pre-load	ALL		2814887	1
4.035	ROD, CLAMP, PIN, TRUNNION, INSULATOR - Transmission shifter				
	ROD - 1st & 2nd speed	ALL	N.L.A.	2811022	1
	ROD - 3rd & 4th speed	ALL		2811023	1
	ROD - Reverse speed	ALL		2811024	1
	CLAMP - Rod	ALL		7431816	1
	PIN - Reverse rod	ALL		2812200	1
	TRUNNION - 3rd & 4th rod	ALL		7410279	1
	TRUNNION - Reverse rod	ALL		2812082	1
	INSULATOR	ALL		7418439	3
	RETAINER	ALL		3749084	A.R.
4.045	LEVER - Transmission shifter shaft				
	LEVER - 1st & 2nd speed	ALL		2812220	1
	LEVER - 3rd & 4th speed	ALL		2812219	1
	LEVER - Reverse speed	ALL		2811032	1
	NUT - Levers to shaft	ALL		7417652	3

HOLDEN "LJ" PARTS CATALOGUE

GROUP	DESCRIPTION	MODEL	SIDE	PART No.	QTY.
TRANSMISSION ASSEMBLY, FOUR SPEED MANUAL CONTROL					
Fitted only in RIGHT HAND DRIVE vehicles equipped with 6 cylinder engines					
4.081	MOUNTING – Transmission support				
	MOUNTING ASSEMBLY	ALL		7432236	1
	ARRESTOR – Rear mounting	ALL		7432222	1
	REINFORCEMENT	ALL		(¹¹² 2807445	1
	REINFORCEMENT	ALL		(¹¹³ 9928656	1
	SPACER – Support	ALL		2813651	2
	BOLT & WASHER ASSY.	ALL		(¹¹² SP2036	4
	BOLT & WASHER ASSY.	ALL		(¹¹³ SP2154	4
4.103	CASE – Transmission				
	CASE ASSEMBLY	ALL		2829795	1
	PLUG – Transmission filler (3/4" – 16)	ALL		7400181	1
	GASKET – Filler plug (3/4" annular)	ALL		113897	1
4.105	COVER – Transmission				
	COVER	ALL		7433771	1
	BOLT – Cover to case	ALL		SP2141	4
4.109	GASKET – Transmission cover				
	GASKET	ALL		7433769	1
4.303	FORK – Transmission shifter				
	FORK – 1st & 2nd speed	ALL		2813506	1
	FORK – 3rd & 4th speed	ALL		7433775	1
4.304	YOKE – Reverse shifter				
	YOKE	ALL		2809727	1
4.309	SHAFT, SEAL – Transmission shifter				
	SHAFT – 1st & 2nd, 3rd & 4th	ALL		7433869	2
	SEAL – Shift shaft, "O" ring 5/16" x 3/32"	ALL		7430136	1
	SHAFT – Reverse shift	ALL		2813514	1
	SLEEVE – Reverse shift shaft	ALL		2813520	1
	SEAL – Reverse shift shaft "O" ring 3/8" x 3/32"	ALL		2809290	1
4.311	CAM, PIN, SPRING, BALL – Transmission detent				
	CAM – 1st & 2nd speed	ALL		2813501	1
	CAM – 3rd & 4th speed	ALL		2813511	1
	PIN – Detent cam	ALL		SP2094	1
	SPRING – Detent cam	ALL		7433927	1
	BALL – Reverse shift lever detent (3/16" dia.)	ALL		147489	1
	SPRING – Reverse lever detent ball	ALL		2813527	1
	WASHER – Reverse detent	ALL		2813521	2
4.316	LEVER – Reverse internal shifter				
	LEVER	ALL		2809600	1
4.317	HOUSING, BUSHING, ADAPTOR, SEAL – Transmission extension				
	HOUSING ASSEMBLY	ALL		2813504	1
	ADAPTOR – Transmission rear bearing	ALL		2813513	1
	BUSHING – Housing	ALL		3717682	1
	SEAL – Housing	ALL		3871649	1
	WASHER – Housing to case	ALL		7400256	1

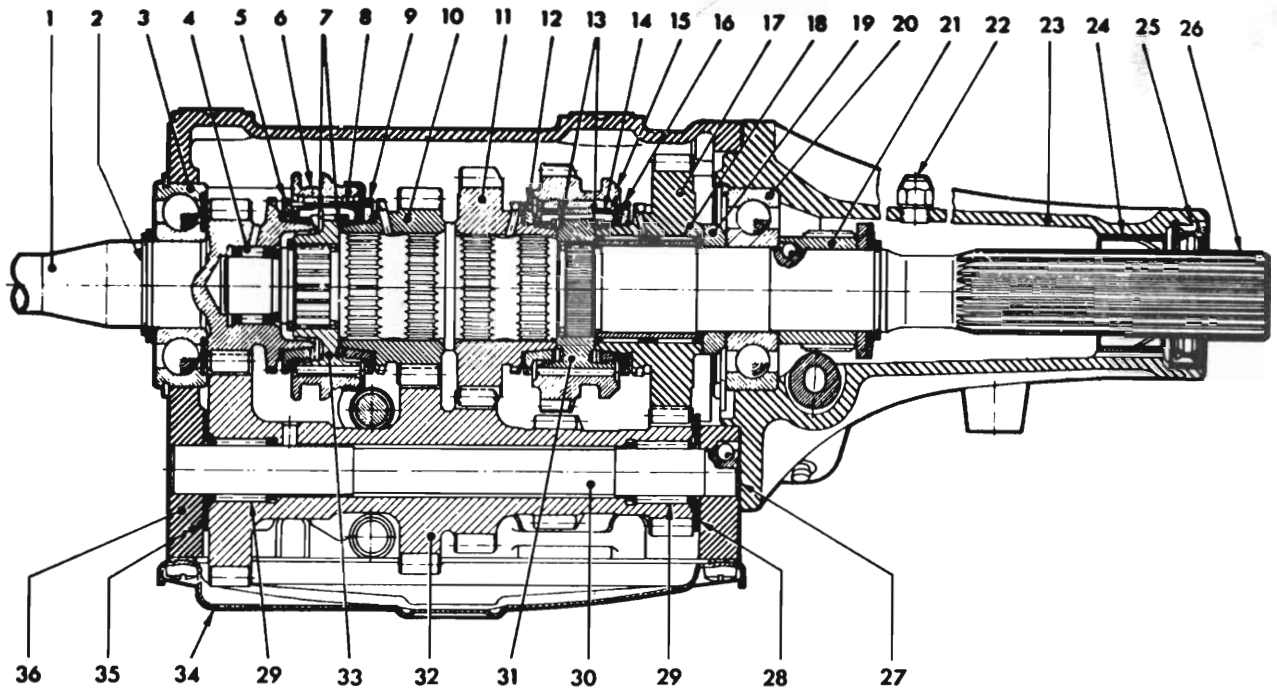
Note: (¹¹² Prior to A.D.R. 10B.
(¹¹³ Use with A.D.R. 10B.

HOLDEN "LJ" PARTS CATALOGUE

GROUP	DESCRIPTION	MODEL	SIDE	PART No.	QTY.
TRANSMISSION ASSEMBLY, FOUR SPEED MANUAL CONTROL					
Fitted only in RIGHT HAND DRIVE vehicles equipped with 6 cylinder engines					
4.318	GASKET – Transmission extension housing				
	GASKET	ALL		2813507	1
4.337	GEAR – Speedometer driven and drive				
	GEAR - Driven - 20 teeth	ALL		7430968	1
	GEAR - Driven - 22 teeth	3.08:1 A.R.		7430970	1
	GEAR - Driven - 24 teeth	3.36:1 A.R.		7430972	1
	GEAR - Drive	ALL		5258493	1
	CLIP - Drive gear	ALL		92018977-1373122	1
4.338	SEAL – Speedometer driven gear				
	SEAL - "O" ring (1 ³ / ₁₆ " 10 x 1 ¹ / ₈ ")	ALL		7430921	1
4.342	CABLE and CASING – Speedometer				
	CABLE & CASING	ALL		2817827	1
	CABLE KIT	ALL		VS11028	1
	CLIP - Pipe & cable to side rail 5 ¹ / ₁₆ " - 5 ⁷ / ₁₆ "	ALL		SP1546	1
	RETAINER - Drive end	ALL		7430917	1
	SEAL - Cable	ALL		7434266	1
	RETAINER - Seal (Nylon)	ALL		2817874	1
4.351	GEAR – Clutch				
	GEAR	Exc. XU1 Eng		2813494	1
	GEAR	XU1 Eng.		2823544	1
4.352	BEARING – Main shaft front				
	BEARING - Needle roller	ALL		7400162	15
	BEARING PACKAGE	ALL		7449495	1
4.355	BEARING – Clutch gear				
	BEARING	ALL		7429999	1
4.356	RETAINER – Clutch gear bearing				
	RETAINER	ALL		9930909	1
4.357	NUT – Clutch gear bearing retainer				
	NUT	ALL		591150	1
4.358	GASKET – Clutch gear bearing retainer				
	GASKET	ALL		591022	1
4.380	SYNCHRONIZER – Transmission				
	SYNCHRONIZER ASSEMBLY - 1st & 2nd speed ...	ALL		2813515	1
	SYNCHRONIZER ASSEMBLY - 3rd & 4th speed ...	ALL		7435044	1
4.382	RING – Transmission synchronizer retainer				
	RING - 1st & 2nd speed	ALL		7429966	1
	RING - 3rd & 4th speed	ALL		3775089	1
4.383	SPRING, RING – Transmission synchronizer				
	SPRING - 1st & 2nd speed	ALL		7437055	2
	SPRING - 3rd & 4th speed	ALL		7438527	2
	RING - Blocking	ALL		7434978	A.R.

HOLDEN "LJ" PARTS CATALOGUE

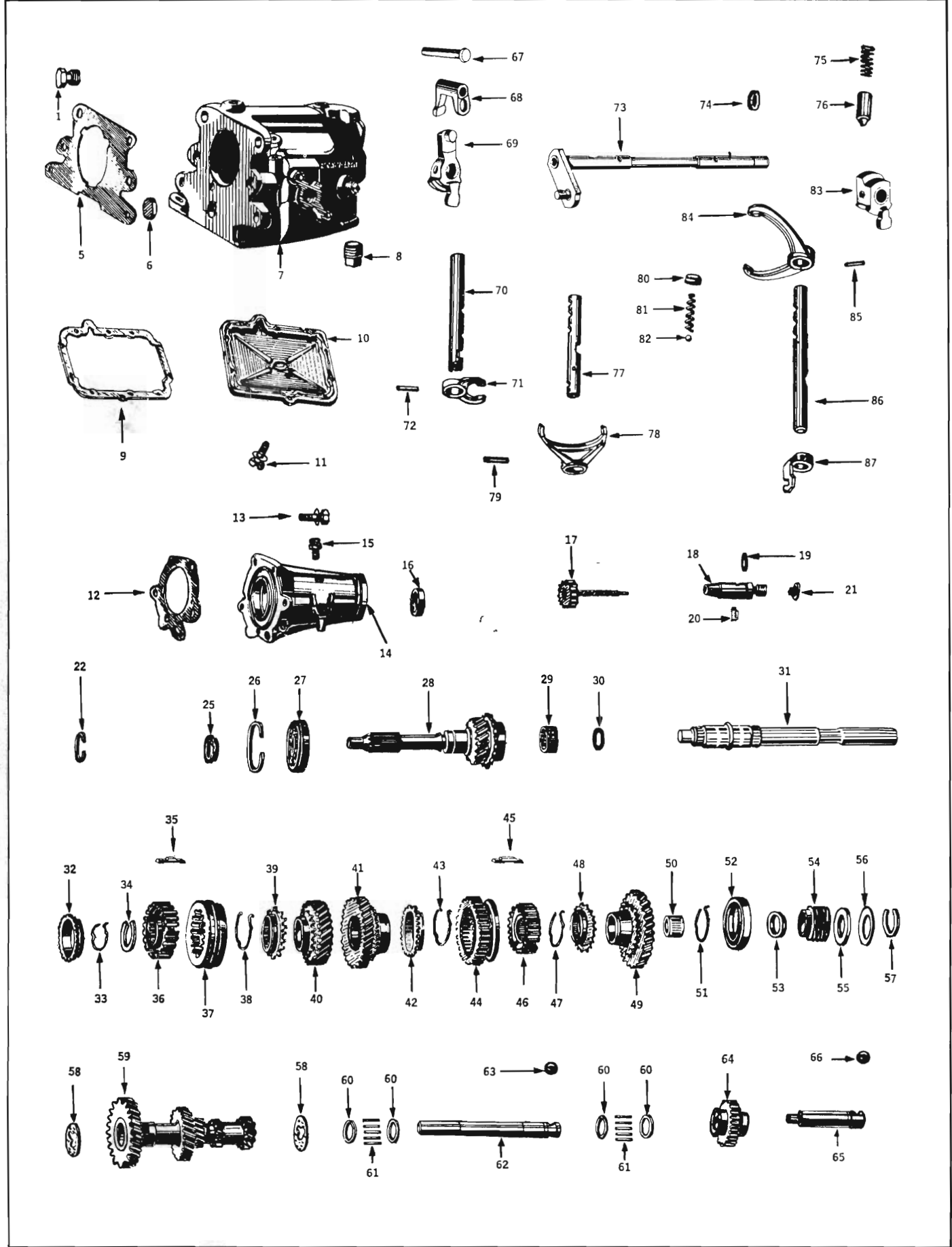
GROUP	DESCRIPTION	MODEL	SIDE	PART No.	QTY.
TRANSMISSION ASSEMBLY, FOUR SPEED MANUAL CONTROL					
Fitted only in RIGHT HAND DRIVE vehicles equipped with 6 cylinder engines					
4.384	KEY – Transmission synchronizer				
	KEY	ALL		7435043	6
4.395	GEAR – Second speed				
	GEAR	ALL		2813490	1
4.403	SHAFT – Transmission main				
	SHAFT	ALL		2813493	1
4.408	BEARING – Mainshaft rear				
	BEARING ASSEMBLY	ALL		7433929	1
4.412	RING – Transmission bearing				
	RING – Locating	ALL		2809457	1
	RING – Main shaft lock	ALL		3707189	1
4.415	GEAR – Third speed				
	GEAR	ALL		2813491	1
4.418	GEAR – Mainshaft first speed, reverse				
	GEAR – 1st speed	ALL		2813489	1
	GEAR – Reverse	ALL		2813525	1
4.419	PLATE, SPRING – Reverse gear anti-lash				
	PLATE	ALL		2813517	1
	SPRING	ALL		2813522	1
4.421	GEAR – Counter				
	GEAR	Exc. XU1 Eng.		2813496	1
	GEAR	XU1 Eng.		2823899	1
4.422	BEARING – Counter gear				
	BEARING – Needle roller	ALL		9414193	92
	BEARING PACKAGE	ALL		7449496	1
4.423	WASHER, SPACER – Counter shaft				
	WASHER – Bearing	ALL		3775063	6
	SPACER – Bearing	ALL		7433928	1
	WASHER – Gear thrust	ALL		7433776	2
4.428	SHAFT – Counter gear				
	SHAFT	ALL		3775061	1
4.430	GEAR – Reverse idler				
	GEAR – Front (two piece)	ALL		2813498	1
	GEAR – Rear (two piece)	ALL		2813499	1
	GEAR – (One piece)	ALL		2825988	1
4.432	WASHER – Reverse idler thrust				
	WASHER	ALL		2813519	2
4.433	BUSHING – Reverse idler gear				
	BUSHING – Reverse idler to transmission case and extension housing	ALL		2820528	2



TRANSMISSION CASE and GEARS
Syncromesh - 4 Speed
6 Cyl. Engine - LEFT HAND DRIVE

ILLUS. REF. NO.	PART NAME	GROUP	ILLUS. REF. NO.	PART NAME	GROUP
1.	GEAR - Clutch	4.351	19.	WASHER - Mainshaft spacer	4.419
2.	RING - Clutch gear seal	4.370	20.	BEARING - Mainshaft rear	4.408
3.	BEARING - Clutch gear	4.355	21.	GEAR - Speedo drive	4.337
4.	BEARING - Mainshaft front	4.352	22.	BREATHER	4.104
5.	CONE - 4th speed synchronizing	4.383	23.	HOUSING	4.317
6.	SLEEVE - Synchronizing clutch	4.385	24.	SLEEVE	N.S.S.
7.	SPRING 3rd & 4th speed synchronizing	4.383	25.	SEAL - Housing oil	4.317
8.	KEY - 3rd & 4th speed synchro clutch..	4.384	26.	SHAFT - Main	4.403
9.	CONE - 3rd speed synchronizing	4.383	27.	GASKET	4.318
10.	GEAR - 3rd speed	4.415	28.	WASHER - Countershaft thrust	4.423
11.	GEAR - 2nd speed	4.395	29.	NEEDLE ROLLER - Countershaft	4.422
12.	CONE - 2nd speed synchronizing	4.383	30.	SHAFT - Counter gear	4.428
13.	SPRING - 1st & 2nd speed synchronizing	4.383	31.	HUB - 1st & 2nd speed sliding gear ...	4.380
14.	KEY - 1st & 2nd speed synchro clutch..	4.384	32.	GEAR - Counter	4.421
15.	GEAR - 1st & 2nd speed sliding	4.417	33.	HUB - 3rd & 4th speed synchro sleeve	4.380
16.	CONE - 1st speed synchronizing	4.383	34.	COVER	4.105
17.	GEAR - 1st speed	4.418	35.	WASHER - Countershaft thrust	4.423
18.	BEARING - 1st speed gear	4.419	36.	CASE	4.103

HOLDEN "LJ" PARTS CATALOGUE



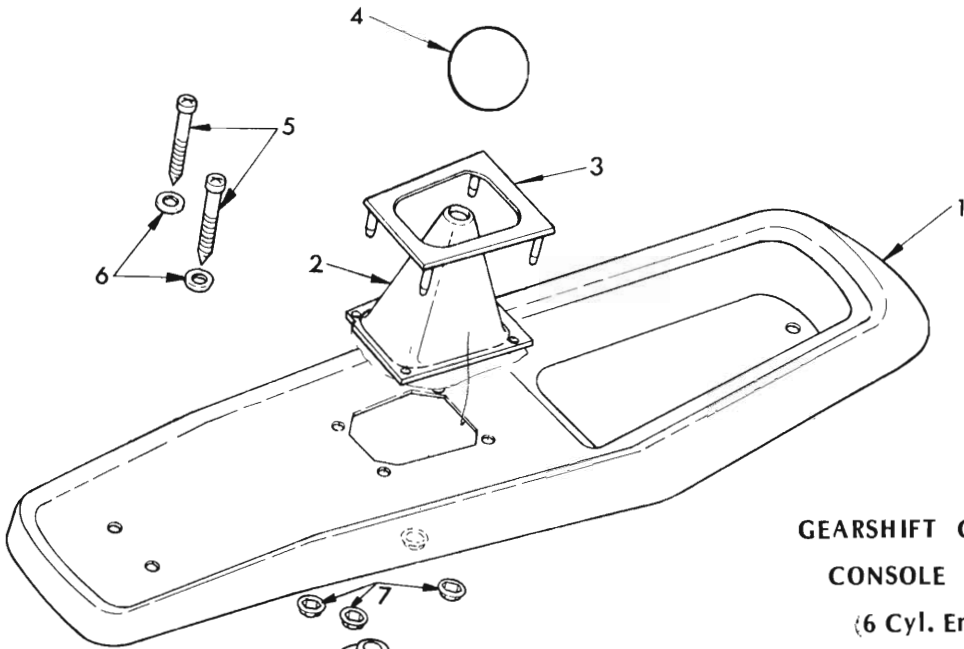
TRANSMISSION CASE and GEARS

Synchro mesh — 4 speed

6 Cyl. Engine LEFT HAND DRIVE

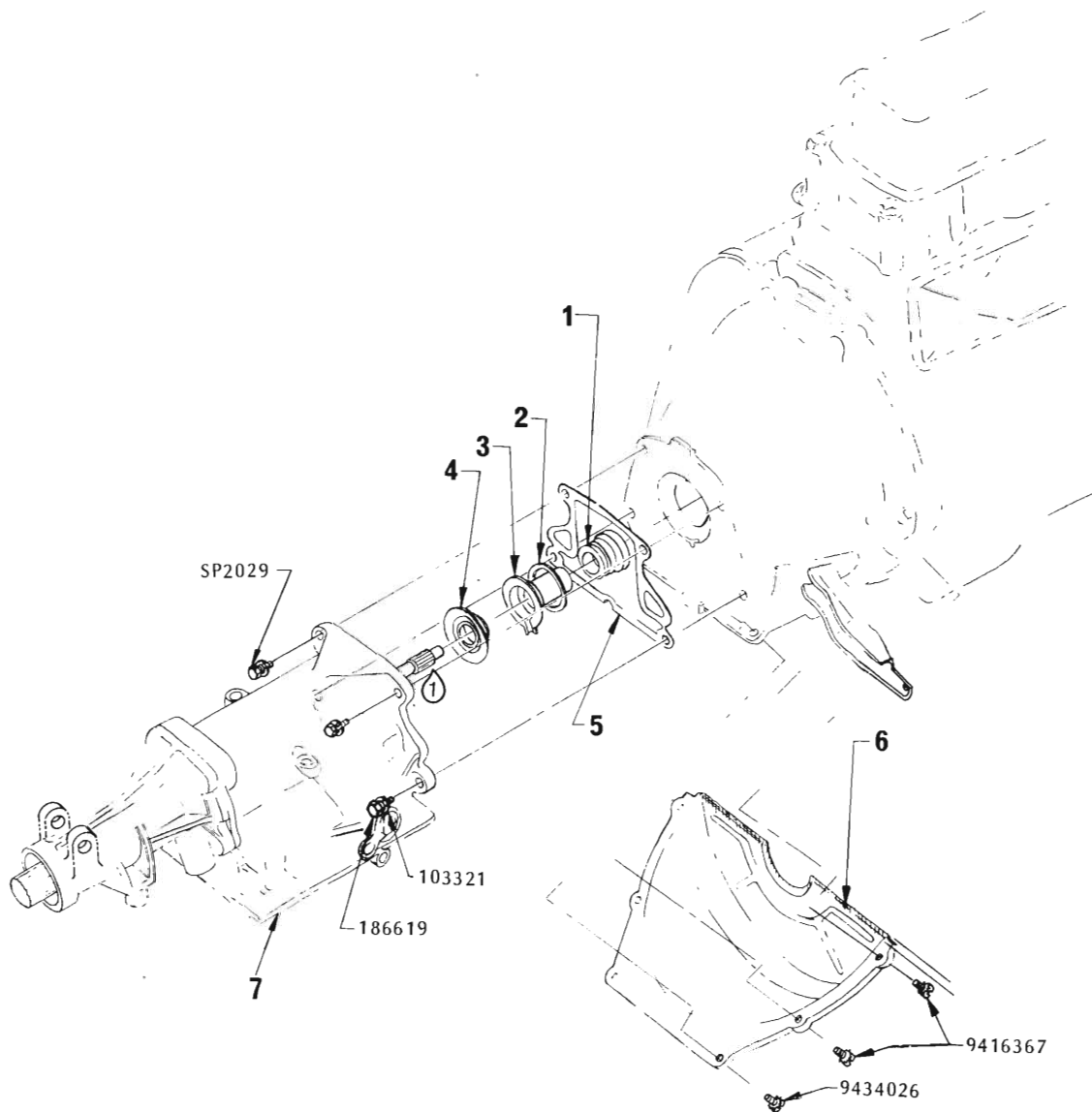
ILLUSTRATION OPPOSITE

ILLUS. REF. NO.	PART NAME	GROUP	ILLUS. REF. NO.	PART NAME	GROUP
1.	PLUG — Screw	4.103	46.	HUB — 1st & 2nd speed sliding gear	4.380
5.	GASKET	4.004	47.	SPRING — 1st speed synchronizing	4.383
6.	PLUG — Expansion	4.103	48.	CONE — 1st speed synchronizing	4.383
7.	CASE	4.103	49.	GEAR — 1st speed	4.418
8.	PLUG — Square head	4.103	50.	BEARING — 1st speed gear	4.419
9.	GASKET	4.109	51.	RING — Mainshaft lock	4.412
10.	COVER	4.105	52.	BEARING — Mainshaft rear	4.408
11.	SCREW	4.105	53.	WASHER — Mainshaft spacer	4.419
12.	GASKET	4.318	54.	GEAR — Speedo drive	4.337
13.	BOLT	4.317	55.	WASHER — Speedo drive gear	4.337
14.	HOUSING	4.317	56.	WASHER — Speedo drive gear spring	4.337
15.	BREATHER	4.104	57.	RING — Speedo drive gear snap	4.337
16.	SEAL — Housing oil	4.317	58.	WASHER — Countershaft thrust	4.423
17.	GEAR — Driven	4.337	59.	GEAR — Counter	4.421
18.	GUIDE — Driven gear	4.337	60.	WASHER — Needle roller bearing	4.423
19.	RING — Guide seal	4.338	61.	BEARING — Counter gear needle roller..	4.422
20.	PIN — Guide	4.337	62.	SHAFT — Counter gear	4.428
21.	SEAL — Guide	4.338	63.	BALL — Counter gear shaft	4.428
22.	RING — Bearing lock	4.376	64.	GEAR — Reverse idler	4.430
25.	RING — Clutch gear seal	4.370	65.	SHAFT — Reverse idler gear	4.433
26.	RING — Bearing snap	4.355	66.	BALL — Reverse idler gear shaft	4.433
27.	BEARING — Clutch gear	4.355	67.	PIN — Lever pivot	4.316
28.	GEAR — Clutch	4.351	68.	LEVER — Reverse intermediate shifter ..	4.316
29.	BEARING — Mainshaft front	4.352	69.	LEVER — 3rd & 4th speed inter. shifter	4.315
30.	RING — Mainshaft front	4.353	70.	SHAFT — Reverse selector	4.309
31.	SHAFT — Main	4.403	71.	YOKE — Reverse shifter	4.304
32.	CONE — 4th speed synchronizing	4.383	72.	PIN — Reverse shifter yoke	4.304
33.	SPRING — 4th speed synchronizing	4.383	73.	SHAFT — Selector with lever	4.301
34.	RING — Sleeve snap	4.385	74.	SEAL — Selector shaft	4.313
35.	KEY — 3rd & 4th speed syn. clutch	4.384	75.	SPRING — Reverse shifter plunger	4.316
36.	HUB — 3rd & 4th speed syn. sleeve	4.380	76.	PLUNGER — Reverse shifter lever lock	4.316
37.	SLEEVE — Synchronizing clutch	4.385	77.	SHAFT — 3rd & 4th speed selector	4.309
38.	SPRING — 3rd speed synchronizing	4.383	78.	YOKE — 3rd & 4th speed shifter	4.303
39.	CONE — 3rd speed synchronizing	4.383	79.	PIN — 3rd & 4th speed shifter yoke	4.303
40.	GEAR — 3rd speed	4.415	80.	PLUG — Selector lock spring	4.311
41.	GEAR — 2nd speed	4.395	81.	SPRING — Selector lock	4.311
42.	CONE — 2nd speed synchronizing	4.383	82.	BALL — Selector lock	4.311
43.	SPRING — 2nd speed synchronizing	4.383	83.	LEVER — 1st & 2nd spd. inter. shifter ..	4.314
44.	GEAR — 1st & 2nd speed sliding	4.417	84.	YOKE — 1st & 2nd speed shifter	4.303
45.	KEY — 1st & 2nd speed synchro clutch	4.384	85.	PIN — 1st & 2nd speed shifter yoke	4.303
			86.	SHAFT — 1st & 2nd speed selector	4.309
			87.	CAM — 1st & 2nd speed	4.308



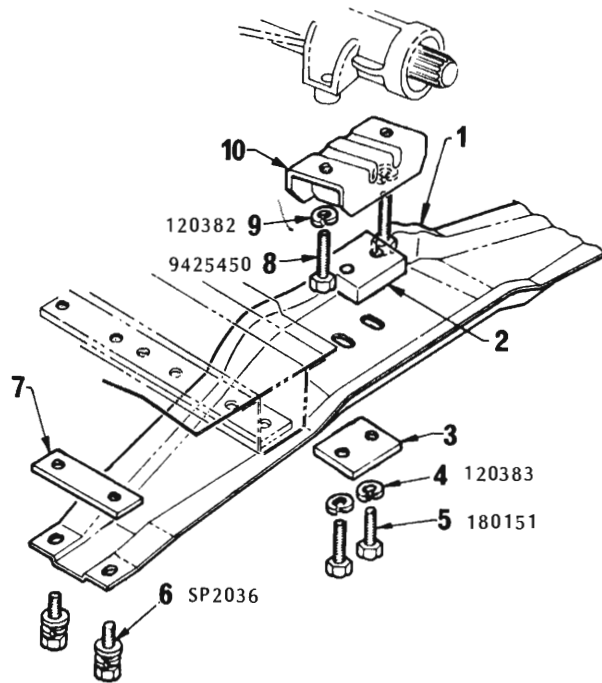
**GEARSHIFT CONTROL
CONSOLE SHIFT
(6 Cyl. Engine)**

ILLUS. REF. NO.	PART NAME	GROUP
1.	HOUSING ASSY.	15.290
2.	COVER ASSY. - Boot	4.015
3.	RETAINER - Cover	4.015
4.	KNOB	4.009
5.	SCREW	8.977
6.	WASHER	8.929
7.	NUT	8.921
8.	BOOT - Lever	4.015
9.	RING - Boot retainer	4.015
10.	SCREW	8.977
11.	RETAINER - Boot	4.015
12.	LEVER	4.006
13.	NUT	8.916
14.	BOLT	8.900
15.	WASHER	8.931
16.	BRACKET & YOKE ASSY.	4.019
17.	BOLT - Pivot	4.022
18.	BOLT	4.019
19.	TUBE - Bracket mounting	4.019
20.	PIN	8.938
21.	WASHER	4.019
22.	ROD ASSY.	4.019
23.	LEVER	4.020
24.	INSERT	4.020
25.	WASHER	4.022
26.	NUT	8.915



TRANSMISSION MOUNTING
6 Cylinder Engine
Left Hand Drive

ILLUS. REF. NO.	PART NAME	GROUP	ILLUS. REF. NO	PART NAME	GROUP
1.	BEARING ASSY. - Clutch throwout	0.799	5.	GASKET - Transmission mounting	4.004
2.	GASKET - Clutch bearing guide	0.805	6.	COVER - Clutch housing	0.679
3.	GUIDE - Clutch bearing	0.804	7.	TRANSMISSION ASSY.	4.003
4.	RING - Clutch gear seal	4.370			



TRANSMISSION MOUNTING

ILLUS. REF. NO.	PART NAME	GROUP	ILLUS. REF. NO.	PART NAME	GROUP
1.	SUPPORT – Engine rear mounting	12.982	6.	BOLT & WASHER ASSY.	4.081
2.	SPACER – Mounting bolt	4.081	7.	SPACER – Support	4.081
3.	REINFORCEMENT	4.081	8.	SCREW – Hex. socket cap 3/8" – 16 x 7/8"	4.081
4.	WASHER – Lock, 7/16" medium (cad or zinc)	8.931	9.	WASHER – Lock, 3/8" medium (cad or zinc)	8.931
5.	BOLT – Hex.hd. 7/16" – 14 x 1.5/8" (cad or zinc)	8.900	10.	MOUNTING	4.081

HOLDEN "LJ" PARTS CATALOGUE

GROUP	DESCRIPTION	MODEL	SIDE	PART No.	QTY.
TRANSMISSION ASSEMBLY, FOUR SPEED MANUAL CONTROL					
Fitted only in LEFT HAND DRIVE vehicles equipped with 6 Cylinder Engines					
4.003	TRANSMISSION, REPAIR KIT				
	TRANSMISSION ASSY.	ALL		2808553	1
	REPAIR KIT	ALL		M36965	1
	OVERHAUL KIT	ALL		M36967	1
	BOLT & SPRING WASHER ASSY. - Trans. to engine	ALL		SP2029	3
4.004	GASKET - Transmission case to clutch housing				
	GASKET	ALL		702288	1
4.005	GASKET SET - Transmission				
	GASKET SET	ALL		M36496	1
4.006	LEVER - Gearshift control				
	LEVER	ALL		2816888	1
4.007	PIN, WASHER - Gearshift control				
	PIN - Gearshift & lever pivot (Plain end)	ALL		2815123	1
	WASHER - Pivot pin, nylon	ALL		2810738	2
4.009	KNOB - Gearshift control lever				
	KNOB	ALL		2811208	1
4.015	BOOT, RETAINER, COVER - Gearshift lever				
	BOOT - Lever	ALL		2817735	1
	RETAINER - Boot	ALL		2812312	1
	COVER ASSY. - Boot	ALL		2822888BA	1
	RETAINER - Cover	ALL		2820698	1
4.017	SPRING - Gearshift				
	SPRING - Lever pull	ALL		2819167	1
4.019	BRACKET, BOLT, TUBE, ROD - Gearshift control				
	BRACKET and YOKE ASSY.	ALL		2812290	1
	BOLT - Bracket to transmission	ALL		SP1947	1
	TUBE - Bracket mounting	ALL		2808108	1
	BRACKET ASSY.	ALL		2810100	1
	YOKE ASSY.	ALL		2815124	1
	SHAFT and LEVER ASSY.	ALL		2813894	1
	ROD ASSY. - Gearshift control	ALL		2810872	1
	RETAINER - Rod to external lever	ALL		3749084	2
	WASHER - Tension	ALL		2080802	1
	WASHER - Plain	ALL		2080228	1
4.020	LEVER, INSERT - Gearshift selector				
	LEVER	ALL		2810101	1
	INSERT - Lever to bracket	ALL		2808110	1
4.022	BOLT, WASHER - Selector lever				
	BOLT - Pivot	ALL		2818280	1
	WASHER - Pivot bolt	ALL		2818279	1

HOLDEN "LJ" PARTS CATALOGUE

GROUP	DESCRIPTION	MODEL	SIDE	PART No.	QTY.
TRANSMISSION ASSEMBLY, FOUR SPEED MANUAL CONTROL					
Fitted only in LEFT HAND DRIVE vehicles equipped with 6 Cylinder Engines					
4.081	MOUNTING – Transmission support				
	MOUNTING	ALL		7437938	1
	SCREW – Hex. socket cap 3/8" – 16 x 7/8"	ALL		9425450	2
	BOLT & WASHER ASSY.	ALL		SP2036	4
	SPACER – Mounting bolt	ALL		2813650	1
	REINFORCEMENT	ALL		2807445	1
	SPACER – Support	ALL		2813651	2
4.103	CASE – Transmission				
	CASE ASSY.	ALL		702079	1
	PLUG – Expansion	ALL		606553	1
	PLUG – Sq. hd. 18 x 1.5 mm	ALL		2060726	1
4.104	BREATHER – Transmission				
	BREATHER	ALL		724752	1
4.105	COVER – Transmission				
	COVER	ALL		730116	1
	SCREW	ALL		2018053	10
4.109	GASKET – Transmission cover				
	GASKET	ALL		730890	1
4.301	SHAFT, RING, WASHER, CIRCLIP – Selector				
	SHAFT – Selector with lever	ALL		732375	1
	RING – Selector shaft	ALL		761175	1
	WASHER – Selector shaft	ALL		761325	1
	CIRCLIP – Selector shaft	ALL		2080733	2
4.303	YOKE – Shifter				
	YOKE – 1st & 2nd	ALL		734134	1
	PIN – Spiral 5.5 x 24 mm	ALL		2086000	1
	YOKE – 3rd & 4th	ALL		734183	1
	PIN – Spiral 5.5 x 24 mm	ALL		2086000	1
4.304	YOKE – Reverse shifter				
	YOKE	ALL		734032	1
	PIN – Spiral 5.5 x 24 mm	ALL		2086000	1
4.308	CAM – 1st and 2nd speed				
	CAM	ALL		732282	1
	PIN – Spiral 5.5 x 24 mm	ALL		2086000	1
4.309	SHAFT – Transmission selector				
	SHAFT – 1st & 2nd speed	ALL		732035	1
	SHAFT – 3rd & 4th speed	ALL		732082	1
	SHAFT – Reverse	ALL		732129	1
4.311	SPRING, BALL, PLUG, THRUST PIECE – Transmission selector lock				
	SPRING	ALL		734360	3
	BALL – 8 mm	ALL		2088004	3
	PLUG	ALL		734604	2
	THRUST PIECE – Reverse interlock spring	ALL		734576	1

HOLDEN "LJ" PARTS CATALOGUE

GROUP	DESCRIPTION	MODEL	SIDE	PART No.	QTY.
TRANSMISSION ASSEMBLY, FOUR SPEED MANUAL CONTROL					
Fitted only in LEFT HAND DRIVE vehicles equipped with 6 Cylinder Engines					
4.313	SEAL – Selector shaft				
	SEAL	ALL		732231	2
4.314	LEVER – 1st & 2nd speed intermediate shifter				
	LEVER	ALL		732189	1
	PIN – Spiral 5.5 x 24 mm	ALL		2086000	1
4.315	LEVER – 3rd & 4th speed intermediate shifter				
	LEVER	ALL		732196	1
	PIN – Spiral 5.5 x 24 mm	ALL		2086000	1
4.316	LEVER, PLUNGER, SPRING, PIN – Reverse speed intermediate shifter				
	LEVER	ALL		732195	1
	PLUNGER – Lever lock	ALL		732252	1
	SPRING	ALL		734364	1
	PIN – Lever pivot	ALL		732311	1
4.317	HOUSING, SEAL – Transmission extension				
	HOUSING	ALL		724186	1
	BOLT – Hex. hd. 8 x 25 mm metric	ALL		2018107	5
	SEAL – Housing oil	ALL		724512	1
4.318	GASKET – Transmission extension				
	GASKET	ALL		724532	1
4.337	GEAR, GUIDE, PIN, WASHER, RING – Speedo driven and drive				
	GEAR – Speedo driven – 16 teeth	3.08:1 A.R.		7435647	1
	GEAR – Speedo driven – 18 teeth	3.36:1 A.R.		7430623	1
	GUIDE – Driven gear	ALL		7438563	1
	PIN – Speedo driven gear guide	ALL		724800	1
	GEAR – Speedo drive	ALL		722027	1
	BALL – 5 mm	ALL		2088001	1
	WASHER – Drive gear 30 x 48 x 4 mm	ALL		722276	1
	WASHER – Drive gear spring 30 x 48 x 0.8 mm	ALL		722151	1
	RING – Drive gear snap	ALL		714275	1
4.338	RING, SEAL – Speedometer driven gear				
	RING – Guide seal	ALL		724550	1
	SEAL – Guide	ALL		724551	1
4.342	CABLE and CASING – Speedometer				
	CABLE & CASING	ALL		2811748	1
	CASING	ALL		VS11439	1
	CABLE KIT	ALL		VS11438	1
	CLIP – Speedometer cable	ALL		SP1885	1
	CLIP – Pipe & cable to side rail $\frac{5}{16}$ " – $\frac{5}{16}$ "	ALL		SP1546	1
4.351	GEAR – Clutch				
	GEAR	ALL		712074	1
4.352	BEARING – Mainshaft front				
	BEARING	ALL		720178	1
4.353	RING – Mainshaft front				
	RING	ALL		716251	1

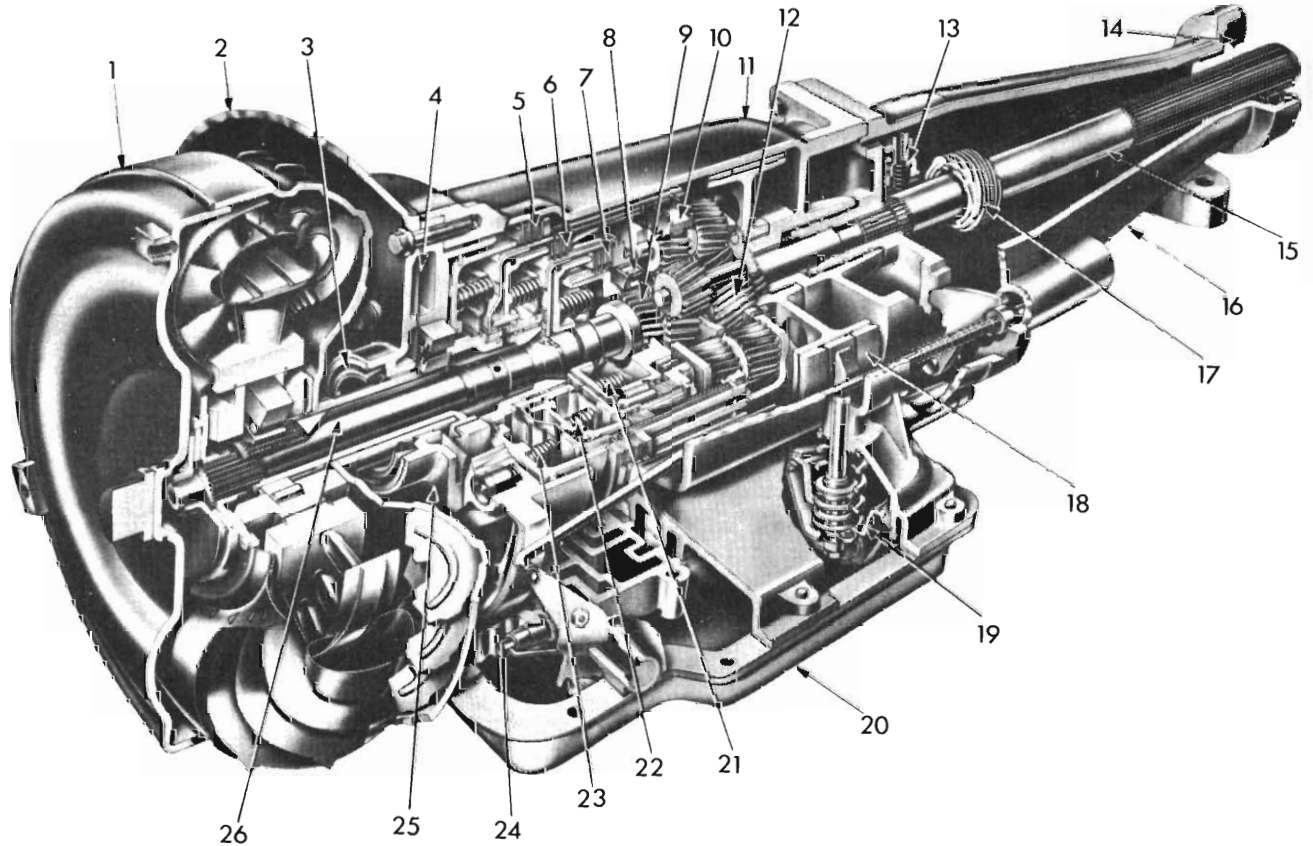
HOLDEN "LJ" PARTS CATALOGUE

GROUP	DESCRIPTION	MODEL	SIDE	PART No.	QTY.
TRANSMISSION ASSEMBLY, FOUR SPEED MANUAL CONTROL					
Fitted only in LEFT HAND DRIVE vehicles equipped with 6 Cylinder Engines					
4.355	BEARING – Clutch gear				
	BEARING	ALL		714011	1
4.370	RING – Clutch gear seal				
	RING	ALL		714302	1
4.376	RING – Clutch gear bearing				
	RING – Lock	ALL		714275	1
	RING – Bearing snap	ALL		2076510	1
4.380	HUB – Synchronizing				
	HUB & GEAR – 1st & 2nd sliding	ALL		718061	1
	HUB & SLEEVE – 3rd & 4th	ALL		718386	1
4.383	CONE, SPRING – Synchronizing				
	CONE 1st & 2nd speed	ALL		718909	2
	CONE – 3rd & 4th speed	ALL		718913	2
	SPRING – 1st & 2nd speed	ALL		718937	2
	SPRING – 3rd & 4th speed	ALL		718938	2
4.384	KEY – Synchronizing clutch				
	KEY – 1st & 2nd	ALL		734133	3
	KEY – 3rd & 4th	ALL		734184	3
4.385	HUB and SLEEVE, RING – Synchronizing clutch				
	HUB & SLEEVE	ALL		718386	1
	RING – Sleeve snap	ALL		718753	1
4.395	GEAR – Mainshaft second speed				
	GEAR	ALL		718627	1
4.403	SHAFT – Transmission main				
	SHAFT	ALL		716045	1
4.408	BEARING – Mainshaft rear				
	BEARING ASSY.	ALL		N3306	1
4.412	RING – Mainshaft lock				
	RING – Snap – 1.9 – 1.925 mm bright	ALL		⁽⁶⁹⁾ 720091	1
	RING – Snap – 1.926-1.950 mm blue	ALL		⁽⁶⁹⁾ 720092	1
	RING – Snap – 1.951-1.975 mm black	ALL		⁽⁶⁹⁾ 720093	1
	RING – Snap – 1.976-2.999 mm brown	ALL		⁽⁶⁹⁾ 720094	1
4.415	GEAR – 3rd speed				
	GEAR	ALL		718289	1
4.417	GEAR & HUB – 1st and 2nd speed sliding				
	GEAR & HUB	ALL		718061	1
4.418	GEAR – 1st speed				
	GEAR	ALL		718340	1

Note: ⁽⁶⁹⁾ Selective Fit.

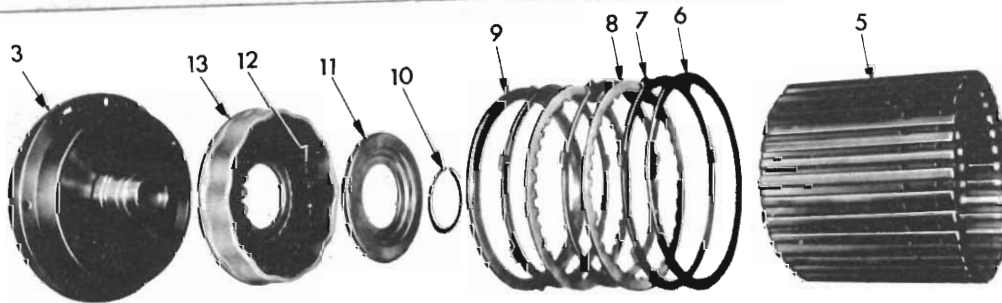
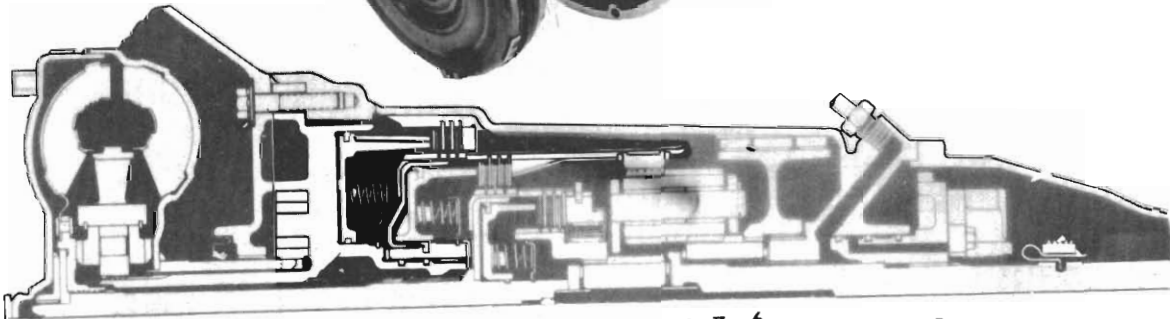
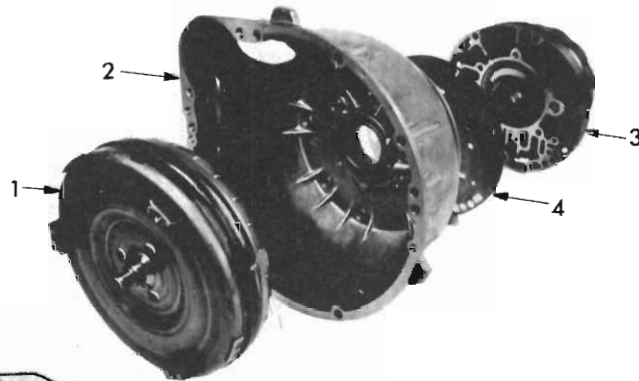
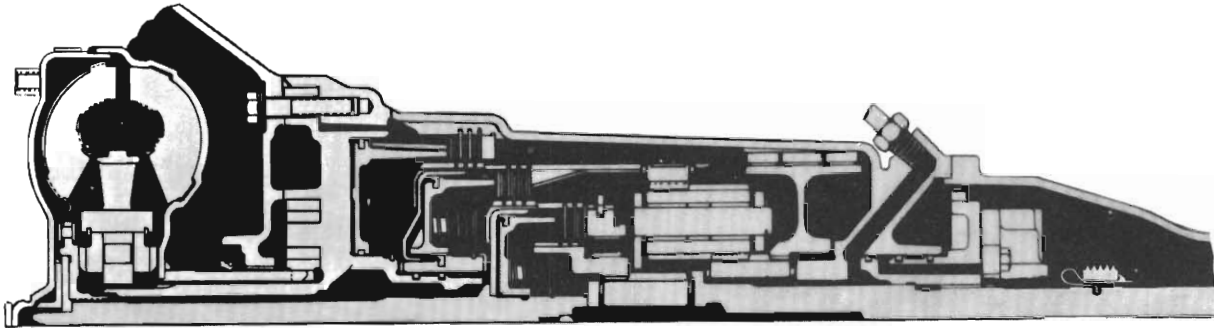
HOLDEN "LJ" PARTS CATALOGUE

GROUP	DESCRIPTION	MODEL	SIDE	PART No.	QTY.
TRANSMISSION ASSEMBLY, FOUR SPEED MANUAL CONTROL					
Fitted only in LEFT HAND DRIVE vehicles equipped with 6 Cylinder Engines					
4.419	BEARING, WASHER – 1st speed gear				
	BEARING	ALL		716350	1
	WASHER – Mainshaft spacer 30 x 46 x 8.25 mm	ALL		716104	1
4.421	GEAR – Counter				
	GEAR	ALL		708084	1
4.422	BEARING – Counter gear				
	NEEDLE ROLLER PACKAGE	ALL		M36966	1
4.423	WASHER – Countershaft				
	WASHER – Needle roller bearing	ALL		712201	6
	WASHER – Thrust	ALL		708286	2
4.428	SHAFT – Counter gear				
	SHAFT	ALL		710021	1
	BALL – 6 mm	ALL		2088003	1
4.430	GEAR – Reverse idler				
	GEAR	ALL		704025	1
4.433	SHAFT – Reverse idler gear				
	SHAFT	ALL		706015	1
	BALL – 6 mm	ALL		2088003	1



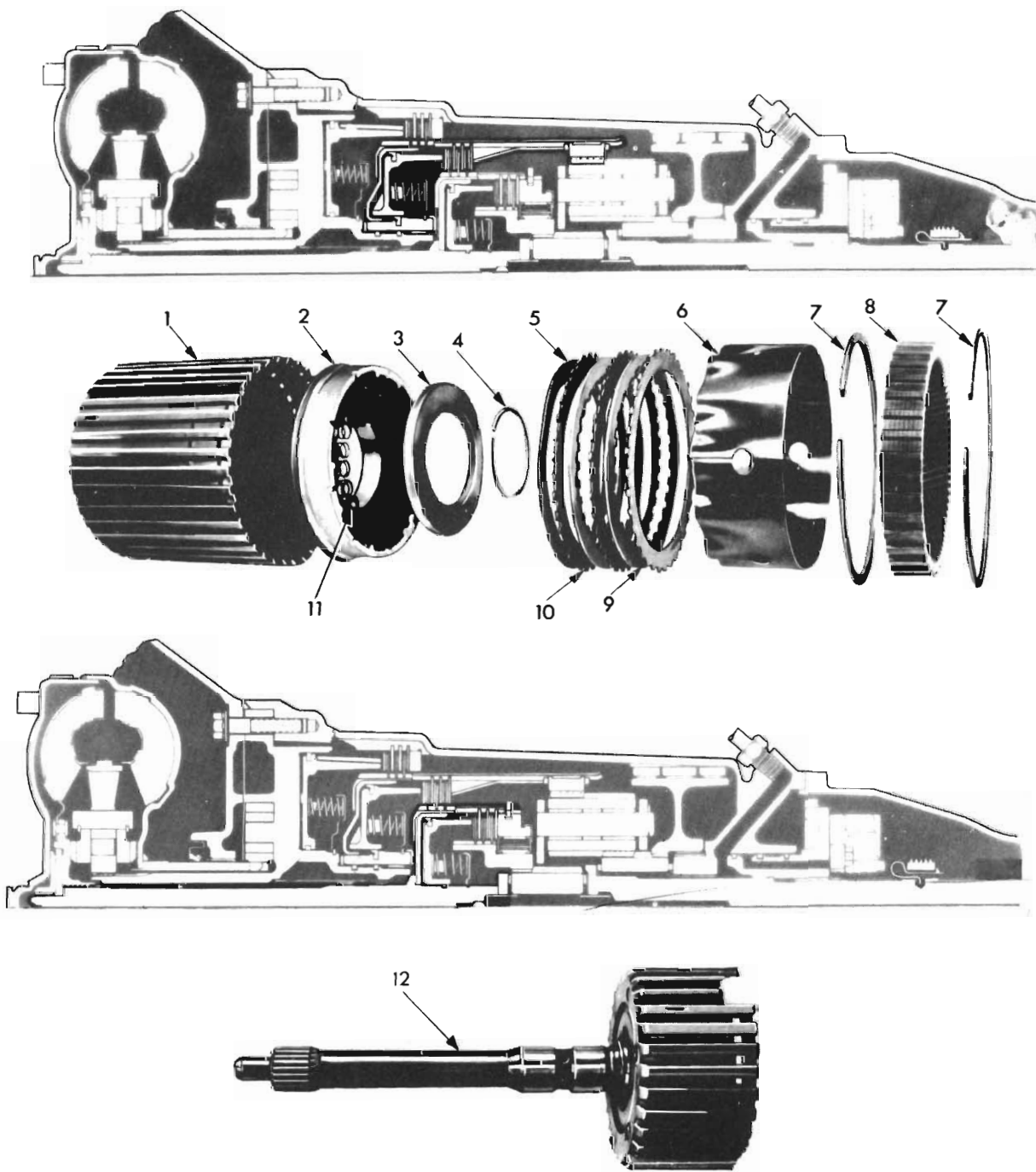
**TRANSMISSION ASSEMBLY
(Trimatic)**

ILLUS. REF. NO.	PART NAME	GROUP	ILLUS. REF. NO.	PART NAME	GROUP
1.	CONVERTER ASSY.	4.156	14.	SEAL - Rear bearing housing	4.317
2.	HOUSING - Converter	0.683	15.	CARRIER ASSY. - Planet	4.177
3.	SEAL - Converter housing	0.683	16.	HOUSING - Rear bearing	4.317
4.	PLATE - Wear	4.226	17.	GEAR - Speedo drive	4.337
5.	PLATE - Reverse clutch	4.163	18.	BAND ASSY - Reaction	4.251
6.	PLATE - 2nd clutch	4.163	19.	PISTON - Servo	4.228
7.	PLATE - 3rd clutch	4.163	20.	PAN - Transmission oil	4.195
8.	SPRAG ASSY.	4.158	21.	SPRING - 3rd clutch piston	4.164
9.	GEAR ASSY. - Input sun	4.177	22.	SPRING - 2nd clutch piston	4.164
10.	GEAR - Ring	4.187	23.	SPRING - Reverse clutch piston	4.164
11.	CASE - Transmission	4.103	24.	VALVE - Manual	4.265
12.	GEAR & DRUM ASSY. - Reaction sun	4.177	25.	PUMP ASSY - Oil	4.226
13.	GOVERNOR	4.256	26.	DRUM & INPUT SHAFT - 3rd clutch	4.153



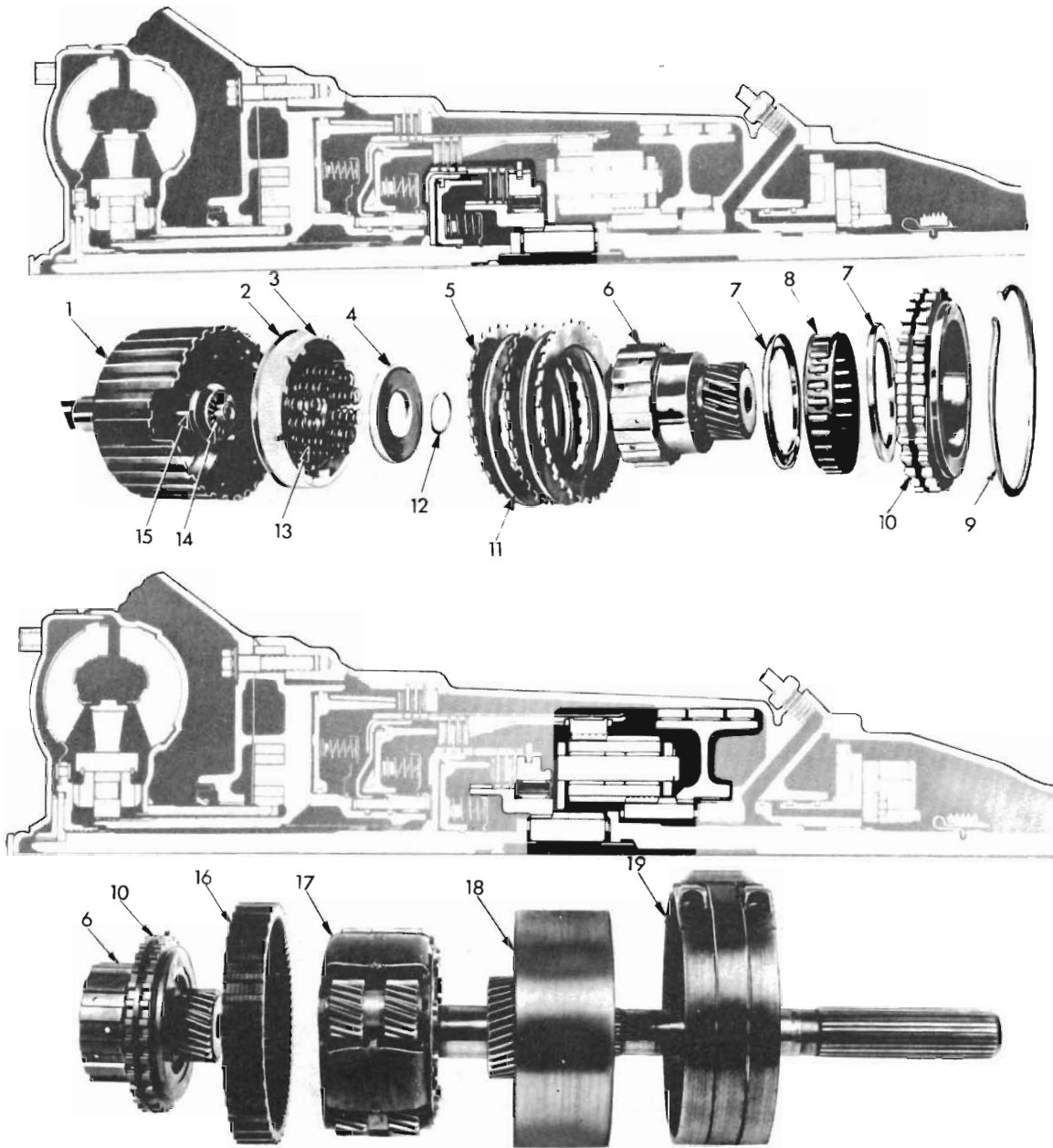
TRANSMISSION ASSEMBLY
(TRIMATIC)

ILLUS. REF. NO.	PART NAME	GROUP	ILLUS. REF. NO.	PART NAME	GROUP
1.	CONVERTER ASSEMBLY	4.156	8.	PLATE - Reverse clutch drive	4.163
2.	HOUSING - Converter	0.683	9.	PLATE - Reverse clutch cushion	4.163
3.	BODY & GEAR PACKAGE	4.226	10.	RING - Reverse clutch piston	4.128
4.	PLATE - Wear	4.226	11.	SEAT - Reverse clutch piston return spring ..	4.189
5.	DRUM ASSEMBLY - 2nd clutch	4.158	12.	SPRING - Reverse clutch piston	4.164
6.	PLATE - Reverse clutch pressure	4.163	13.	PISTON - Reverse clutch	4.166
7.	PLATE - Reverse clutch reaction	4.163			



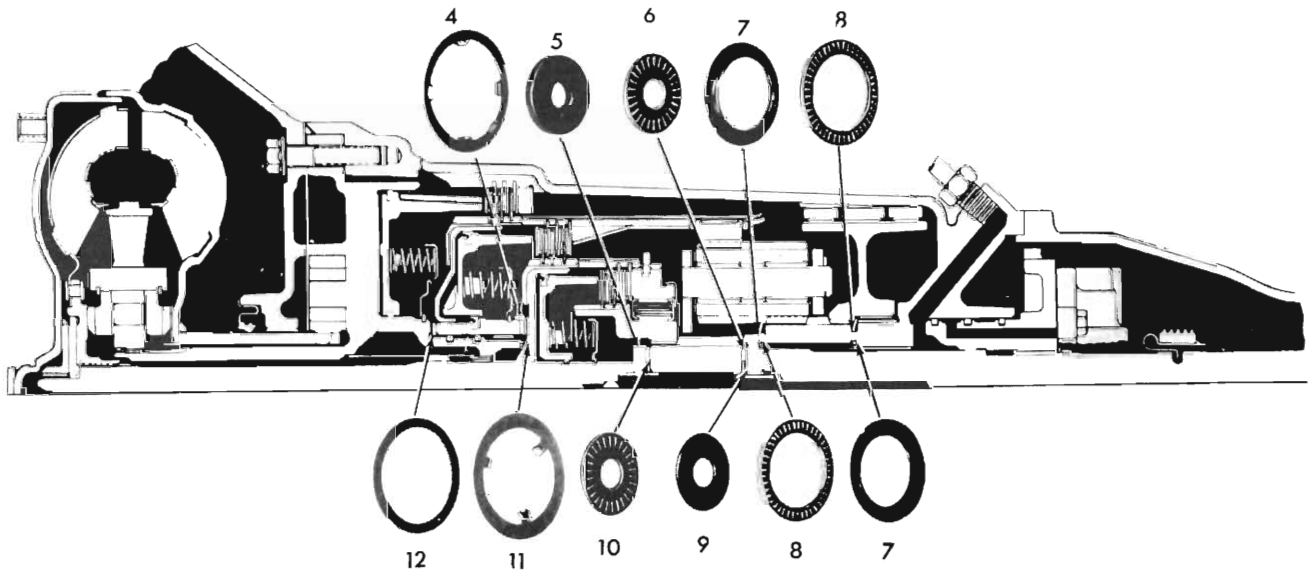
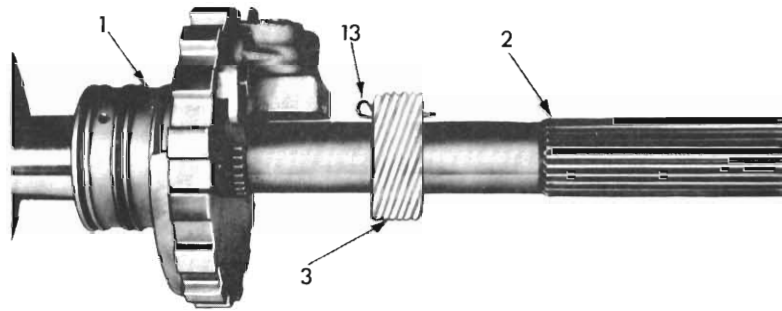
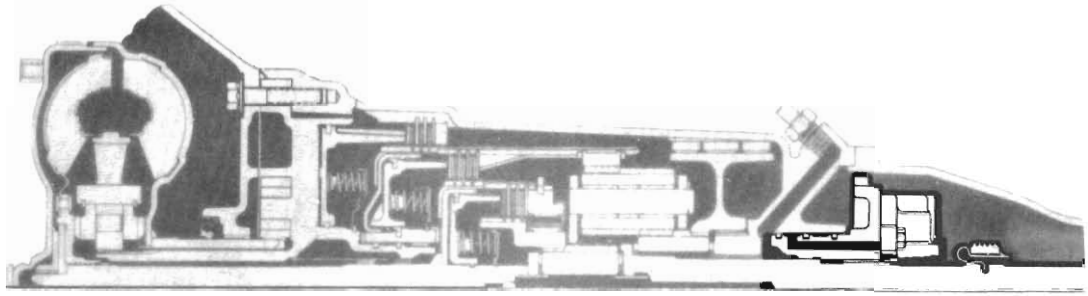
TRANSMISSION ASSEMBLY
(TRIMATIC)

ILLUS. REF. NO.	PART NAME	GROUP	ILLUS. REF. NO.	PART NAME	GROUP
1.	DRUM - 2nd clutch	4.158	8.	GEAR - Ring	4.137
2.	PISTON ASSY. - 2nd clutch	4.166	9.	PLATE - 2nd clutch drive	4.163
3.	SEAT - 2nd clutch piston	4.165	10.	PLATE - 2nd clutch driven	4.163
4.	RING - 2nd clutch piston seat retainer..	4.128	11.	SPRING - 2nd clutch piston	4.164
5.	PLATE - 2nd clutch cushion	4.163	12.	DRUM & INPUT SHAFT ASSY.- 3rd clutch	4.153
6.	SPACER - 2nd clutch plate	4.163			
7.	RING - Ring gear retaining	4.128			



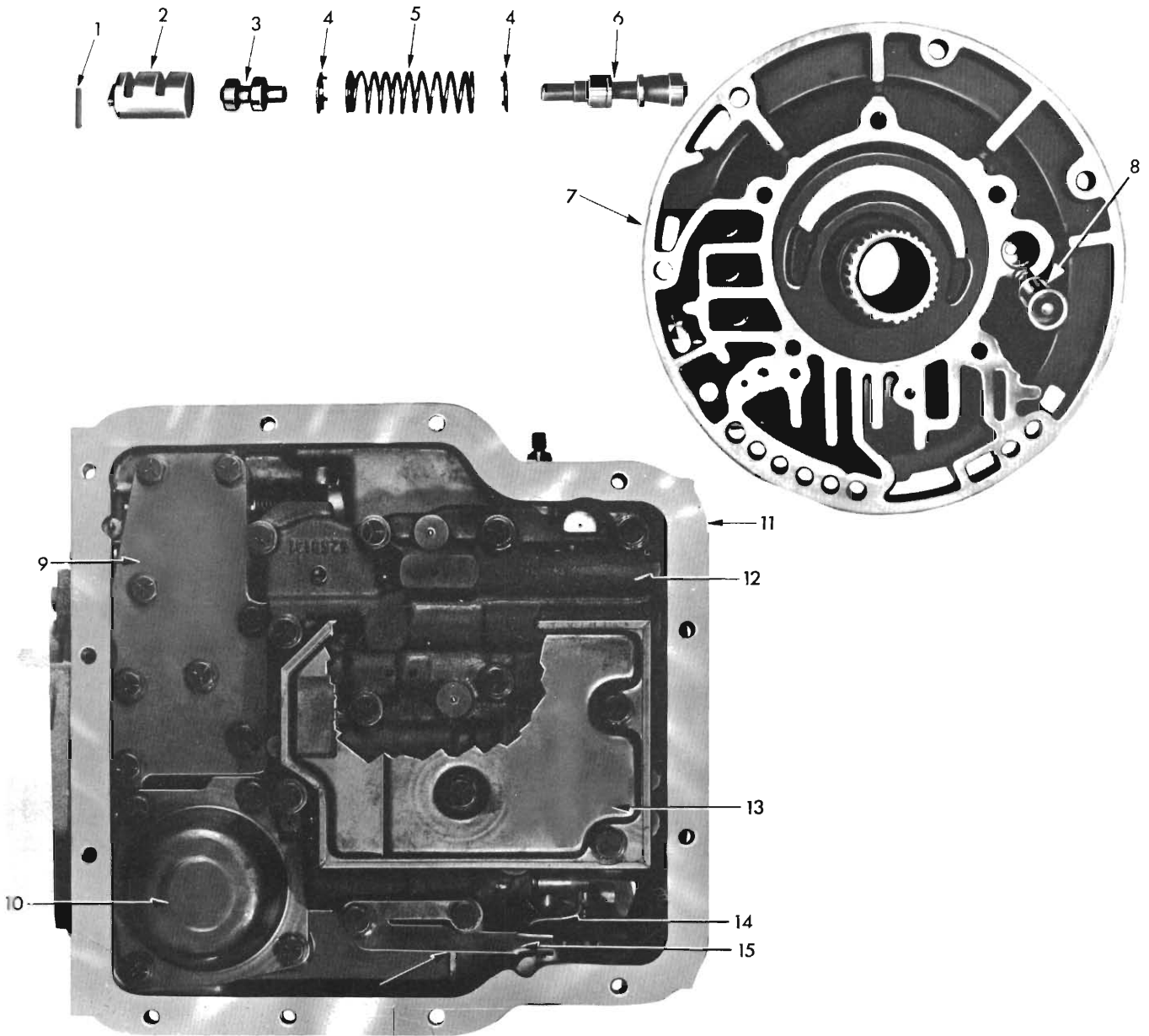
TRANSMISSION ASSEMBLY
(Trimatic)

ILLUS. REF NO.	PART NAME	GROUP	ILLUS. REF NO.	PART NAME	GROUP
1.	DRUM & INPUT SHAFT ASSY - 3rd clutch	4.153	11.	PLATE - 3rd clutch drive	4.163
2.	SEAL - 3rd clutch piston outer	4.166	12.	RING - 3rd clutch piston spring retainer	4.128
3.	PISTON ASSY. - 3rd clutch	4.166	13.	SPRING - 3rd clutch	4.164
4.	SEAT - 3rd clutch piston spring	4.165	14.	BEARING - Input shaft to sun gear thrust	4.177
5.	PLATE - 3rd clutch driven	4.163	15.	WASHER - Input shaft to sun gear thrust	4.177
6.	GEAR ASSY. - Input sun	4.177	16.	GEAR - Ring	4.187
7.	SPRAG ASSY. - Input	4.158	17.	CARRIER ASSY. - Planet	4.177
8.			18.	GEAR & DRUM ASSY. - Reaction	4.177
9.	RING - 3rd clutch retainer	4.128	19.	BAND ASSY. - Reaction	4.251
10.	RACE & RETAINER ASSY. - 3rd clutch input sprag	4.158			



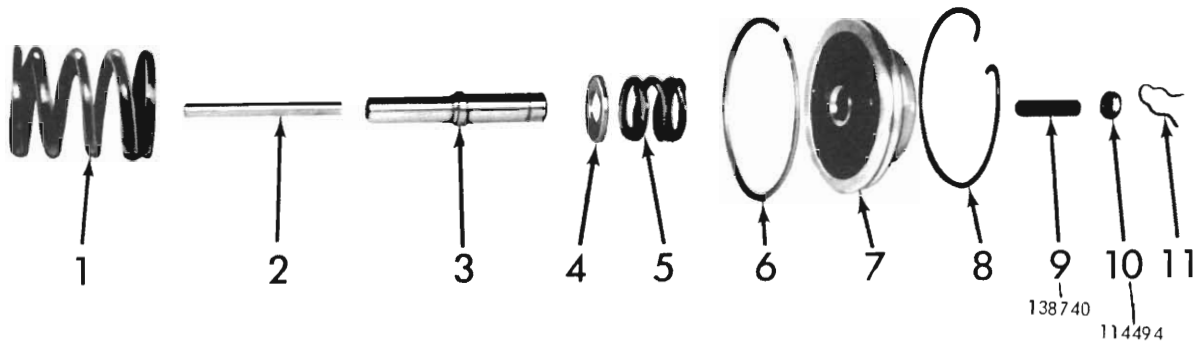
TRANSMISSION ASSEMBLY
(TRIMATIC)

ILLUS. REF. NO.	PART NAME	GROUP	ILLUS. REF. NO.	PART NAME	GROUP
1.	GOVERNOR ASSEMBLY	4.256	8.	BEARING - Reaction sun gear	4.177
2.	CARRIER ASSEMBLY - Planet	4.177	9.	WASHER - Sun gear to carrier assy.	4.177
3.	GEAR - Speedometer drive	4.337	10.	BEARING - Input shaft to sun gear thrust	4.177
4.	WASHER - 2nd & 3rd clutch thrust (bronze)	4.129	11.	WASHER - 2nd & 3rd clutch thrust (steel)	4.129
5.	WASHER - Input shaft to sun gear thrust	4.177	12.	WASHER - Clutch thrust	4.129
6.	BEARING - Sun gear to carrier assy.	4.177	13.	CLIP - Speedometer drive gear	4.337
7.	WASHER - Reaction sun gear & drum	4.129			



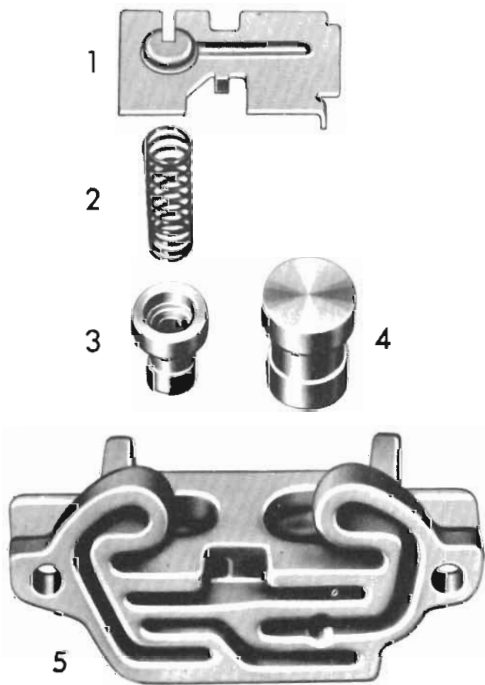
TRANSMISSION ASSEMBLY
Automatic 3 Speed

ILLUS. REF. NO.	PART NAME	GROUP	ILLUS. REF. NO.	PART NAME	GROUP
1.	PIN - Dowel	4.226	8.	VALVE - Oil pump priming	4.226
2.	SLEEVE - Pressure regulator booster valve	4.226	9.	REINFORCEMENT - Transfer plate	4.265
3.	VALVE - Pressure regulator booster	4.226	10.	COVER - Servo	4.212
4.	SEAT - Pressure regulator valve	4.226	11.	CASE - Transmission	4.103
5.	SPRING - Pressure regulator valve ..	4.226	12.	BODY ASSY. - Valve	4.265
6.	VALVE - Pressure regulator	4.226	13.	SCREEN ASSY. - Oil pump suction ..	4.224
7.	PUMP ASSY. - Oil	4.226	14.	LINK - Manual valve lever	4.265
			15.	ROLLER & SPRING ASSY. - Detent	4.279



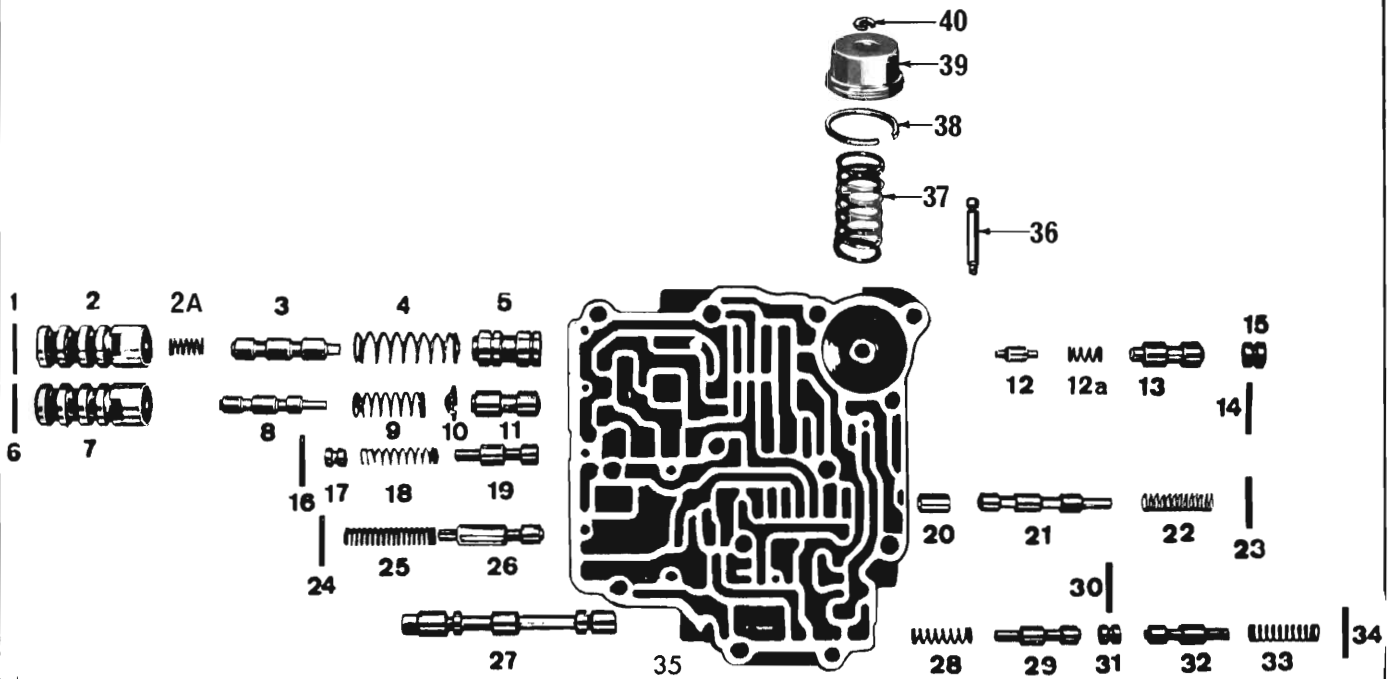
**SERVO ASSEMBLY
(TRIMATIC)**

ILLUS. REF. NO.	PART NAME	GROUP	ILLUS. REF. NO.	PART NAME	GROUP
1	SPRING – Servo piston return	4.233	3. 4. 5. 6. 7. 11.)	PISTON ASSY. – Servo	4.228
2	ROD – Servo piston apply	4.230			
5	SPRING – Servo cushion piston	4.233			
6	RING – Servo piston	4.127			
8	RING – Servo piston retainer	4.128			
9	BOLT – Servo piston adjusting	8.975			
10	NUT – Servo piston adjusting	8.916			
11	RETAINER – Servo piston	4.233			



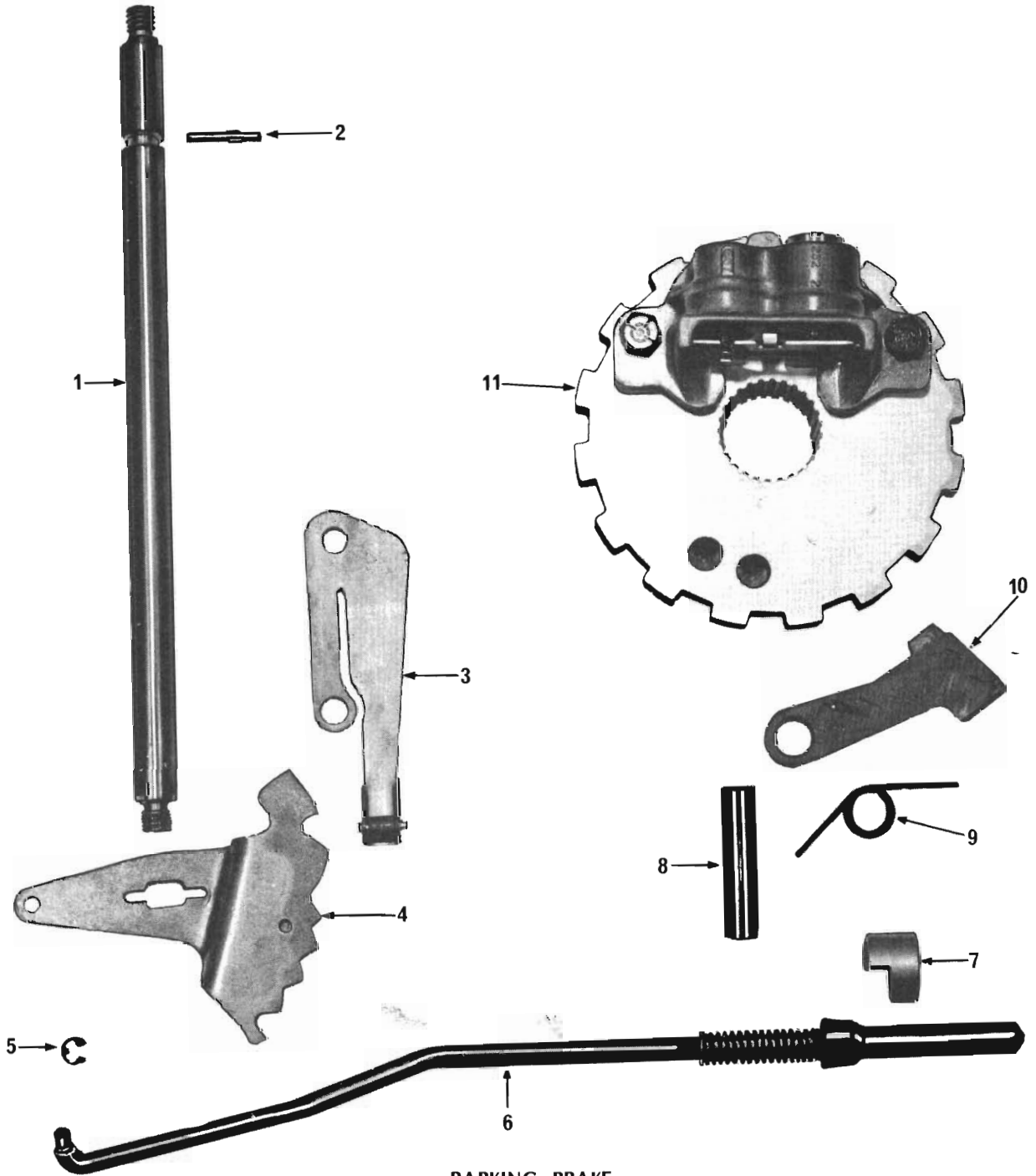
**GOVERNOR ASSEMBLY
(TRIMATIC)**

ILLUS. REF. NO.	PART NAME	GROUP
1	RETAINER – Secondary valve spring	4.256
2	SPRING – Secondary valve	4.256
3	VALVE – Secondary	4.256
4	VALVE – Primary	4.256
5	BODY – Valve	4.256



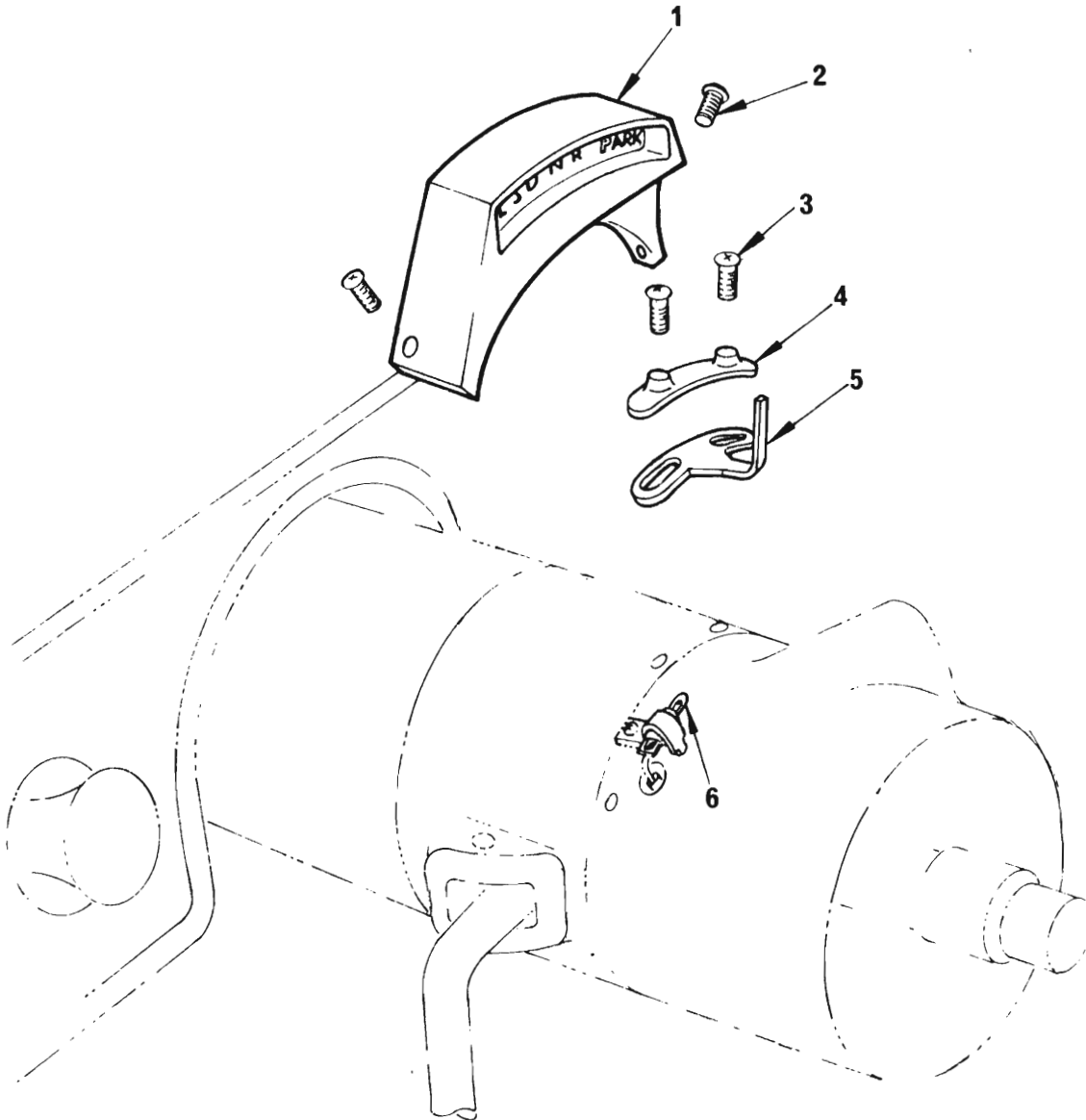
VALVE BODY
(Trimatic)

ILLUS. REF. NO.	PART NAME	GROUP	ILLUS. REF. NO.	PART NAME	GROUP
1.	PIN - Spring	4.265	20.	VALVE - Reverse control	4.265
2.	SLEEVE - 1st & 2nd shift control valve	4.265	21.	VALVE - Manual low control	4.265
2A.	SPRING - 1st & 2nd shift control valve - return	4.265	22.	SPRING - Manual low & reverse control valve	4.265
3.	VALVE - 1st & 2nd shift control	4.265	23.	PIN - Spring	4.265
4.	SPRING - 1st & 2nd shift control valve	4.265	24.	PIN - Spring	4.265
5.	VALVE - 1st & 2nd shift	4.265	25.	SPRING - Detent pressure regulator valve	4.265
6.	PIN - Spring	4.265	26.	VALVE - Detent pressure regulator	4.265
7.	SLEEVE - 2nd & 3rd shift control valve	4.265	27.	VALVE - Manual	4.265
8.	VALVE - 2nd & 3rd shift control	4.265	28.	SPRING - Low speed downshift timing valve	4.265
9.	SPRING - 2nd & 3rd shift control valve	4.265	29.	VALVE - Low speed downshift timing	4.265
10.	SEAT - 2nd & 3rd shift control valve spring	4.265	30.	PIN - Spring	4.265
11.	VALVE - 2nd & 3rd shift	4.365	31.	PLUG - Low speed downshift timing valve	4.265
12.	VALVE - 1st & 2nd accumulator control	4.265	32.	VALVE - High speed downshift timing	4.265
12A.	SPRING - 1st & 2nd accumulator valve	4.265	33.	SPRING - High speed downshift timing valve	4.265
13.	VALVE - 1st & 2nd accumulator	4.265	34.	PIN - Spring	4.265
14.	PIN - 1st & 2nd accumulator valve retaining	4.265	35.	BODY - Spring	4.265
15.	PLUG - 1st & 2nd accumulator valve	4.265	36.	PIN - Accumulator piston	4.233
16.	PIN - Spring	4.265	37.	SPRING - Accumulator piston	4.233
17.	PLUG - 3rd to 2nd control valve	4.265	38.	RING - Accumulator piston	4.127
18.	SPRING - 3rd to 2nd control valve	4.265	39.	PISTON - Accumulator	4.228
19.	VALVE - 3rd to 2nd control	4.265	40.	RING - Accumulator piston retaining	4.128



**PARKING BRAKE
(Trimatic)**

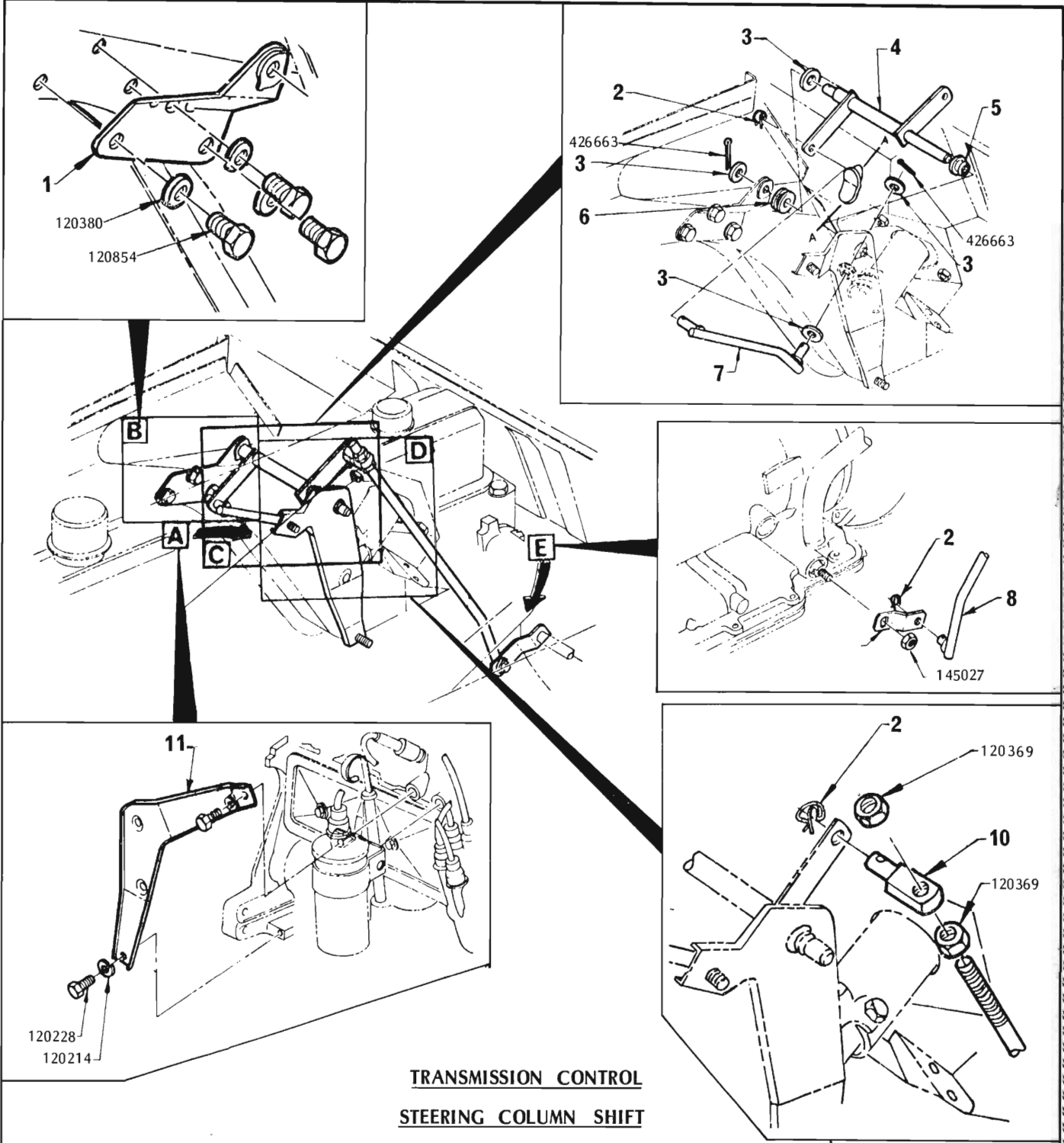
ILLUS. REF. NO.	PART NAME	GROUP	ILLUS. REF. NO.	PART NAME	GROUP
1.	SHAFT - Park lock & range selector	4.294	7.	SLEEVE - Actuator	4.294
2.	PIN - Park lock & range selector retaining	4.294	8.	SHAFT - Pawl	4.294
3.	ROLLER & SPRING ASSEMBLY	4.279	9.	SPRING - Pawl disengaging	4.295
4.	LEVER - Park lock & range selector	4.279	10.	PAWL	4.294
5.	RING - Actuator rod to lever	4.294	11.	GOVERNOR ASSEMBLY	4.256
6.	ACTUATOR	4.294			



INDICATOR - STEERING COLUMN SHIFT

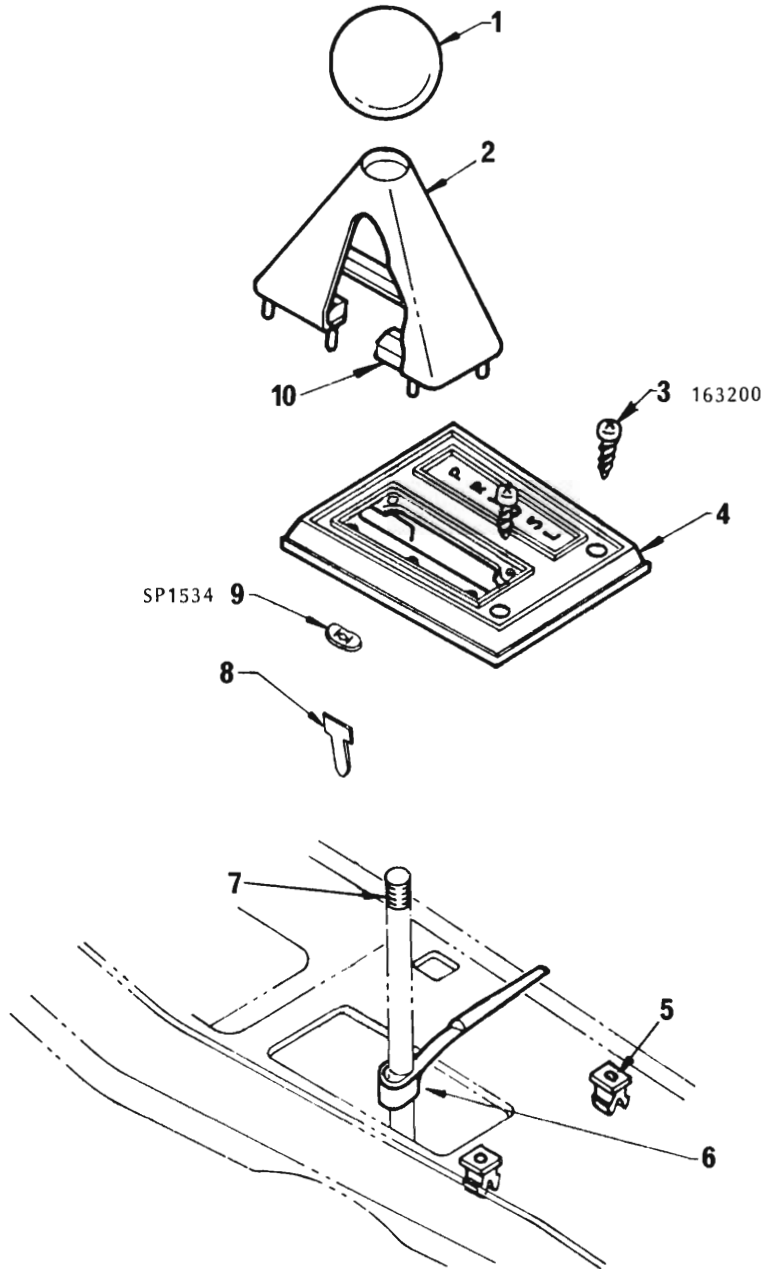
ILLUS. REF. NO.	PART NAME	GROUP	ILLUS. REF. NO.	PART NAME	GROUP
1.	HOUSING & DIAL ASSY.	4.038	4.	COVER - Pointer	4.038
2.	SCREW - Housing to cover	4.038	5.	POINTER	4.038
3.	SCREW - Cover	4.038	6.	BULB - Miniature, wedge base 12V 1.2W ..	4.038

HOLDEN "LJ" PARTS CATALOGUE



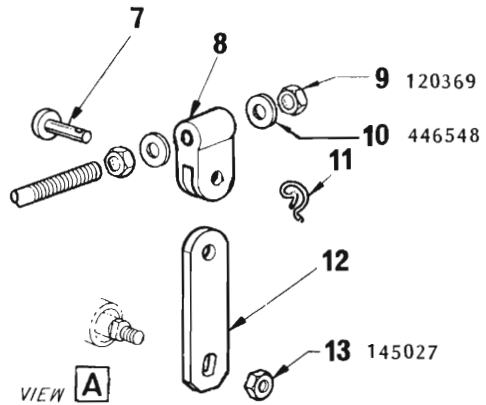
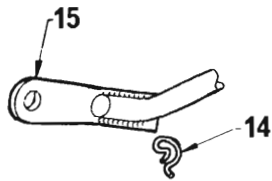
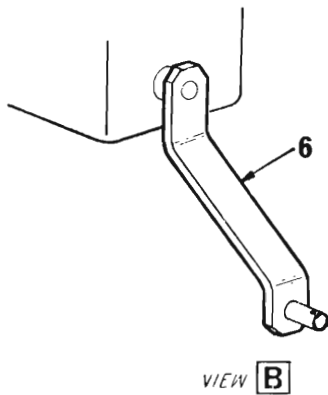
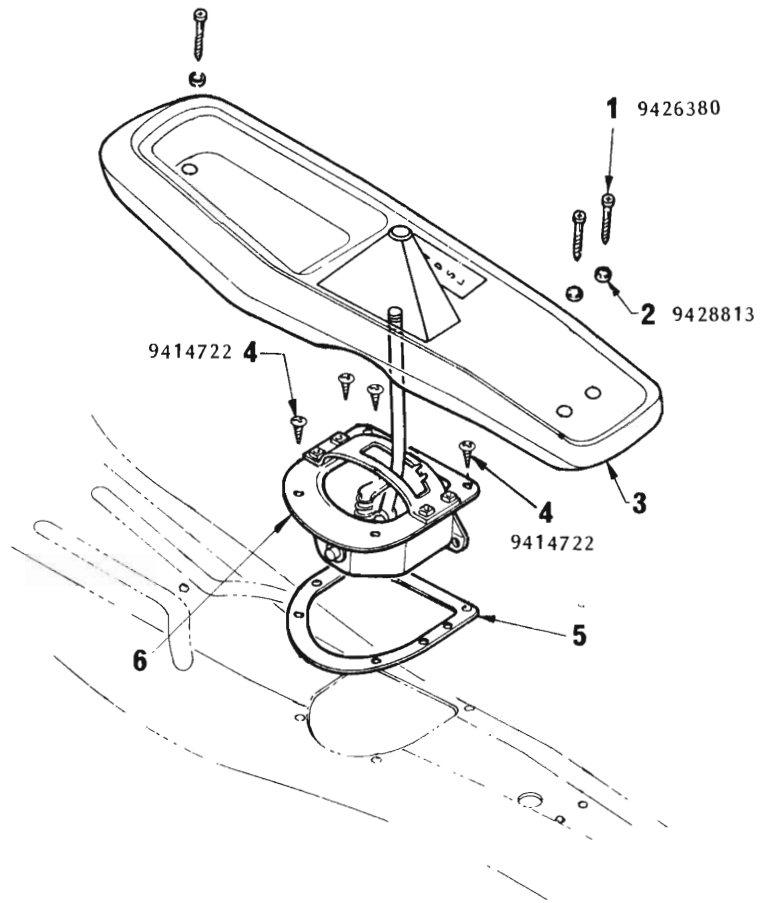
TRANSMISSION CONTROL STEERING COLUMN SHIFT

ILLUS. REF. NO.	PART NAME	GROUP	ILLUS. REF. NO.	PART NAME	GROUP
1.	SUPPORT ASSY. - Cross shaft	4.040	7.	ROD ASSY. - Upper	4.040
2.	CLIP - Clevis pin	4.019/4.020	8.	ROD ASSY. - Lower	4.040
3.	WASHER - Special	4.040	9.	LEVER - Lower rod	4.041
4.	CROSS SHAFT ASSY.	4.040	10.	TRUNNION - Lower rod	4.040
5.	SLEEVE - Cross shaft	4.040	11.	BRACKET - Cross shaft to engine	4.040
6.	INSULATOR	4.040			



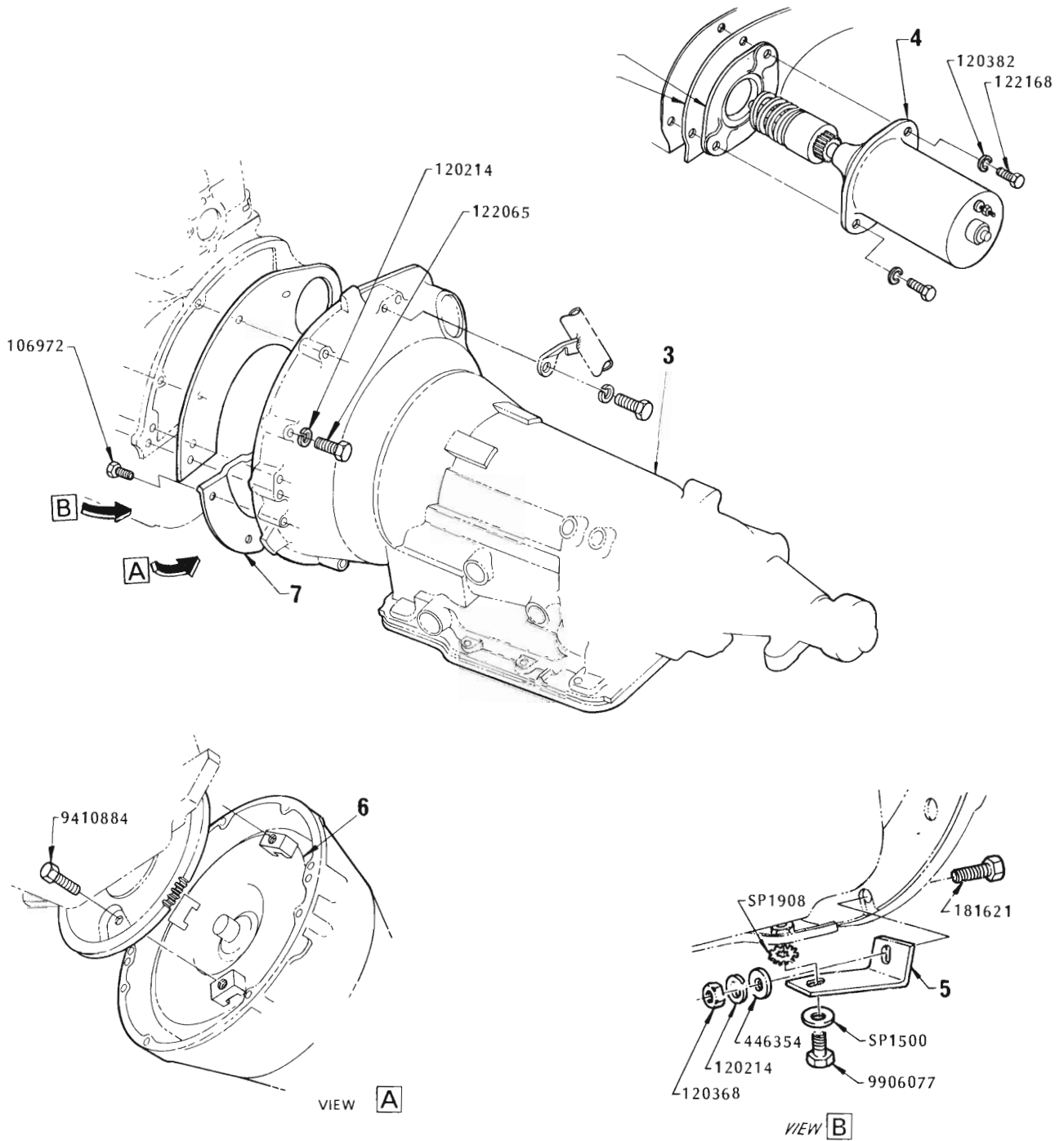
**TRANSMISSION CONTROL
CONSOLE SHIFT**

ILLUS. REF. NO.	PART NAME	GROUP	ILLUS. REF. NO.	PART NAME	GROUP
1.	KNOB - Lever	4.009	6.	POINTER	4.038
2.	COVER - Gearshift lever	4.015	7.	LEVER & SUPPORT ASSY.	4.006
3.	SCREW - Pan hd. No.8 - 18 x 1" cr.rec. (cad or zinc)	8.977	8.	RETAINER - Pointer	4.038
4.	HOUSING & PANEL ASSY.	4.038	9.	NUT - Retainer	4.015
5.	NUT - Housing to console	4.038	10.	RETAINER	4.015



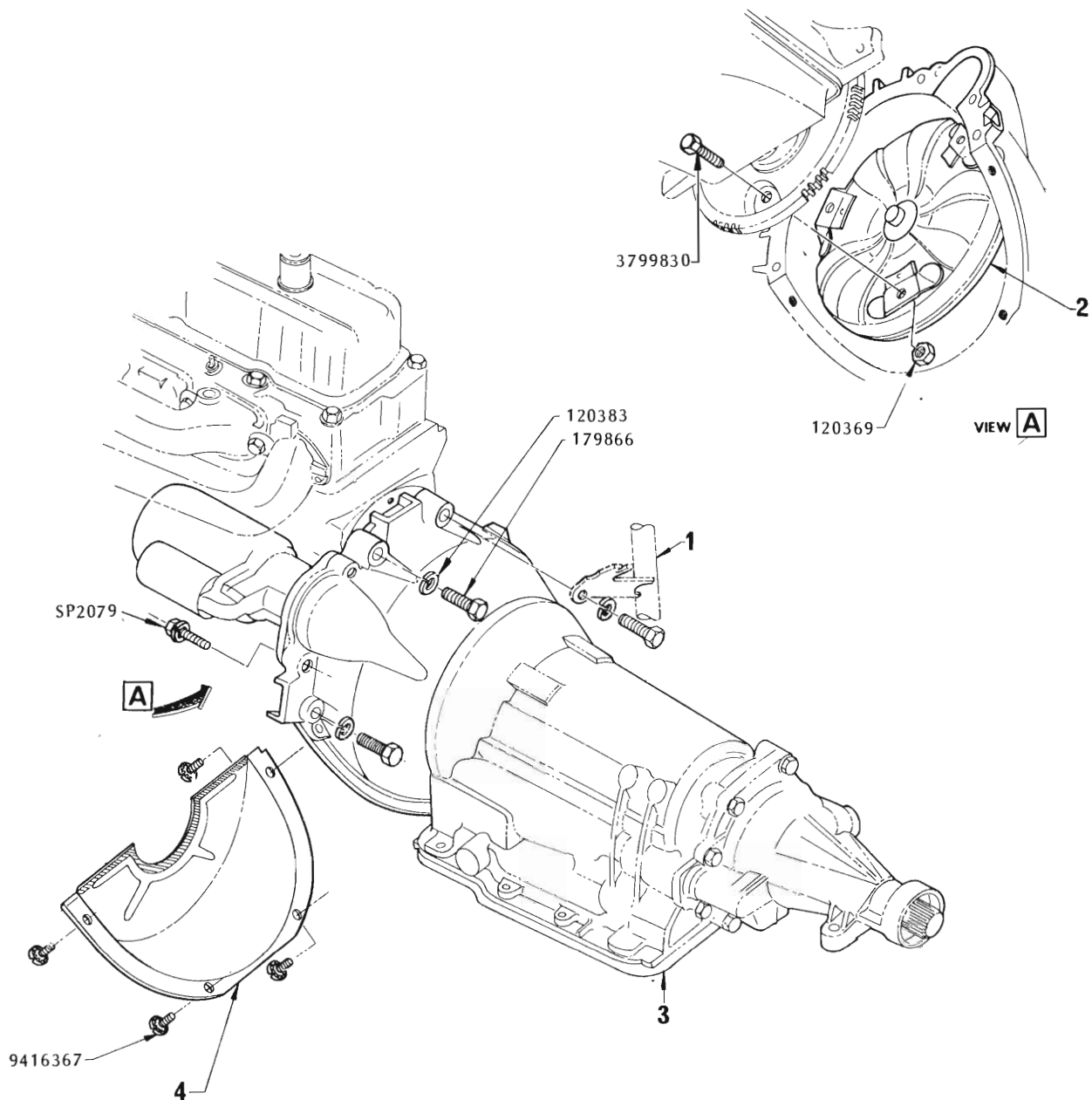
**TRANSMISSION CONTROL
CONSOLE SHIFT**

ILLUS. REF. NO.	PART NAME	GROUP	ILLUS. REF. NO.	PART NAME	GROUP
1.	SCREW - Pan hd.No.10 - 16 x 1.1/4" (Phos. coated)	8.977	8.	ADJUSTER - Control rod	4.040
2.	WASHER - Flat, .219" x .438" x .049"	8.929	9.	NUT - Hex. 3/8" - 24 light (cad or zinc)	8.915
3.	HOUSING ASSY.	15.290	10.	WASHER - Flat, 3/8" x 3/4" x .065"	8.929
4.	SCREW - Pan hd.No.10 - 16 x 1/2"	8.977	11.	RETAINER	4.040
5.	GASKET	4.006	12.	LEVER - Trans. external control	4.041
6.	LEVER & SUPPORT ASSY.	4.006	13.	NUT - Self locking, 3/8" - 16 (cad or zinc)	8.918
7.	PIN - Adjuster to selector lever	4.040	14.	RETAINER - Lever to control rod	4.019
			15.	ROD ASSY.	4.040



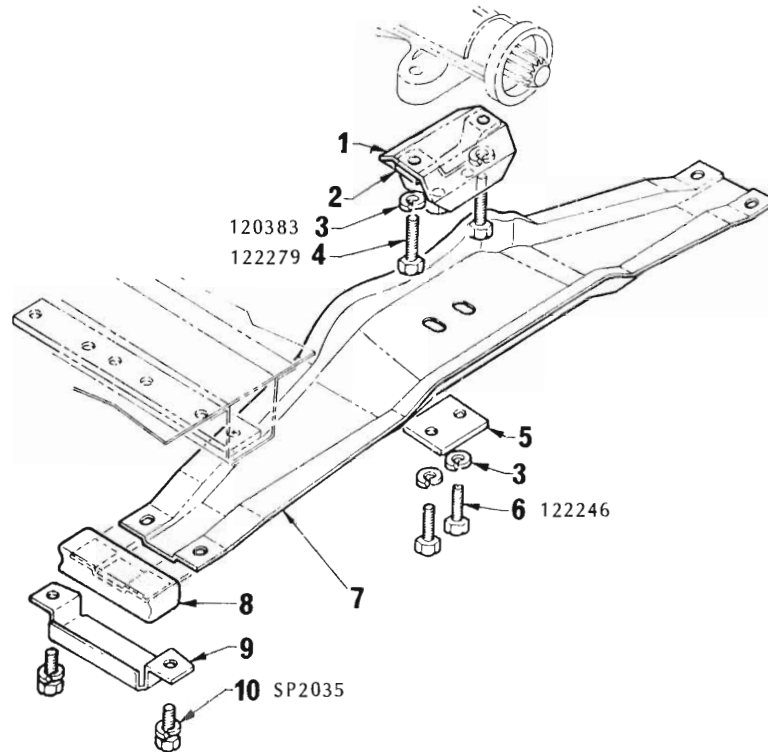
TRANSMISSION MOUNTING
1300, 70 Engine

ILLUS. REF. NO.	PART NAME	GROUP
1.	COVER – Converter upper	0.679
2.	DISTANCE PIECE – Starter motor to con. housing	0.683
3.	TRANSMISSION ASSY.	4.003
4.	STARTER MOTOR ASSY.	2.041
5.	BRACE – Transmission mounting	4.081
6.	CONVERTER ASSY. – Transmission	4.156
7.	COVER – Converter lower	0.679



TRANSMISSION MOUNTING
6 Cylinder Engine Exc. G.T.R.

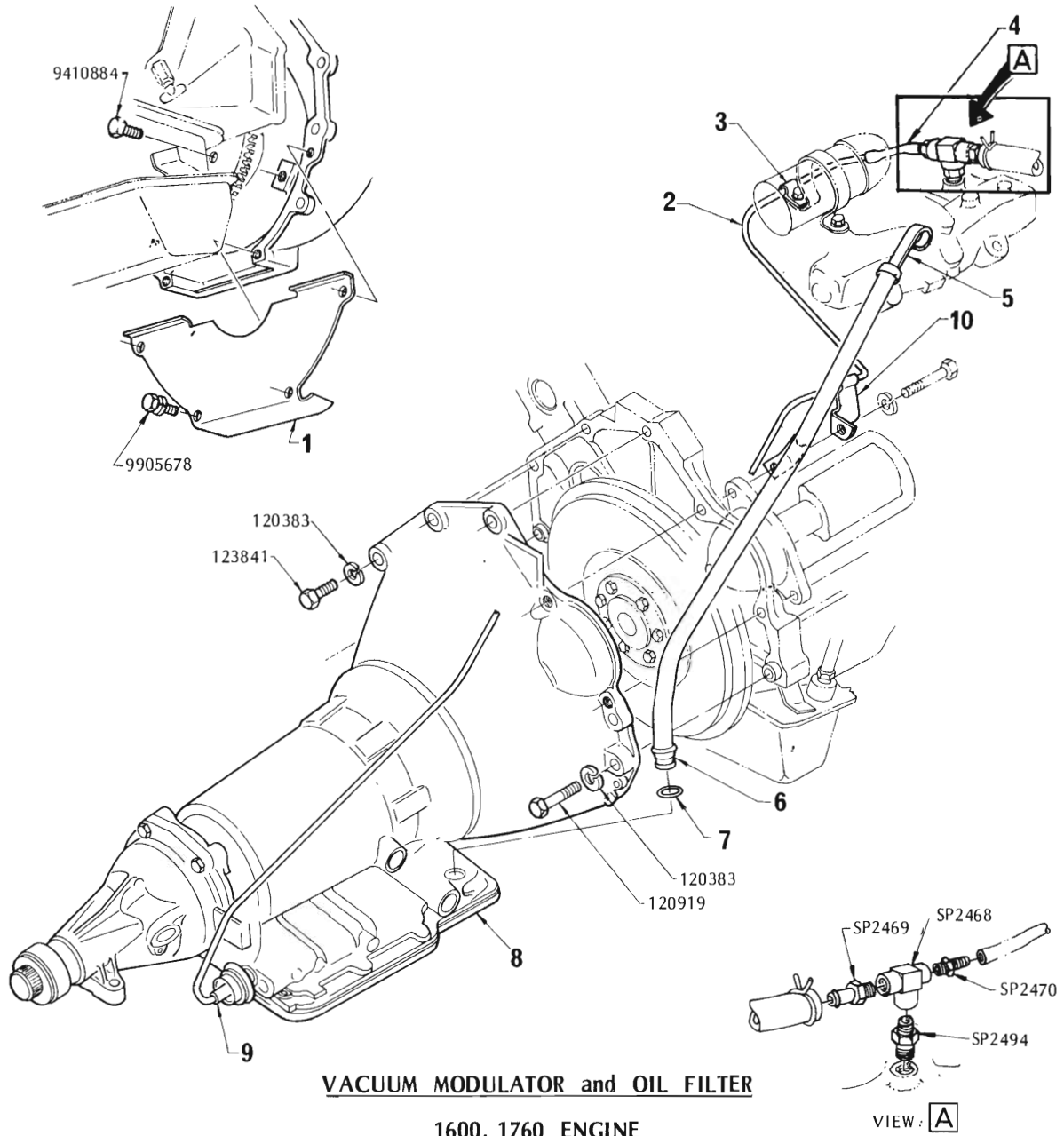
ILLUS. REF. NO.	PART NAME	GROUP
1.	TUBE – Oil level indicator	1.516
2.	CONVERTER ASSEMBLY – Transmission	4.156
3.	TRANSMISSION ASSEMBLY	4.003
4.	COVER – Transmission converter	0.679



TRANSMISSION MOUNTING

6 Cyl. Engine

ILLUS. REF. NO.	PART NAME	GROUP	ILLUS. REF. NO.	PART NAME	GROUP
1.	MOUNTING ASSY.	4.081	6.	BOLT - Hex. hd. 7/16'' - 14 x 7/8'' (cad or zinc)	8.900
2.	ARRESTOR	4.081	7.	SUPPORT - Engine rear mounting	12.982
3.	WASHER - Lock, 7/16'' medium (cad or zinc)	8.931	8.	INSULATOR	4.081
4.	BOLT - Hex.hd. 7/16'' - 14 x 1.3/8'' (cad or zinc)	8.900	9.	BRACKET	4.081
5.	REINFORCEMENT	4.081	10.	BOLT & WASHER ASSY.	4.081



VACUUM MODULATOR and OIL FILTER
1600, 1760 ENGINE

ILLUS. REF. NO.	PART NAME	GROUP
1.	COVER - Converter front	0.679
2.	PIPE - Vacuum modulator	4.205
3.	CLIP - Pipe to manifold	4.205
4.	SLEEVE - Pipe to adaptor	4.205
5.	INDICATOR ASSY. - Oil level	4.133
6.	TUBE ASSY. - Oil filler	4.133
7.	"O" RING - Tube to case	4.133
8.	TRANSMISSION ASSY.	4.003
9.	SLEEVE - Modulator pipe	4.205
10.	CLIP - Vacuum modulator pipe to converter housing	4.205

NOTES

HOLDEN "LJ" PARTS CATALOGUE

GROUP	DESCRIPTION	MODEL	SIDE	PART No.	QTY.
TRANSMISSION ASSEMBLY, AUTOMATIC, STEERING COLUMN SHIFT, CONSOLE SHIFT					
4.003	TRANSMISSION				
	TRANSMISSION ASSY.	70, 1300 Eng.		2817772	1
	TRANSMISSION ASSY.	1600, 1760 Eng.		2820982	1
	TRANSMISSION ASSY.	2250 Eng.	RIGHT HAND DRIVE	2817778	1
			LEFT HAND DRIVE	2817777	1
	TRANSMISSION ASSY.	2850 Eng.	RIGHT HAND DRIVE	2817774	1
			LEFT HAND DRIVE	2817773	1
	TRANSMISSION ASSY.	3300 Eng.	RIGHT HAND DRIVE	2817779	1
4.005	GASKET SET – Transmission				
	GASKET & SEAL SET – Minor	ALL		2820213	1
	GASKET & SEAL SET – Major	ALL		2820214	1
	SEAL KIT	ALL		2811196	1
4.006	LEVER – Transmission control				
	LEVER & SUPPORT ASSY.	70, 1300 Eng.		2818370	1
	LEVER & SUPPORT ASSY.	1600, 1760 Eng.		2818371	1
	LEVER ASSY. – With reinforcing strip	6 Cyl. Eng. Steering Column Shift		2818272	1
	LEVER ASSY. – Less reinforcing strip	6 Cyl. Eng. Steering Column Shift		9929057	1
	LEVER & SUPPORT ASSY.	6 Cyl. Eng. Console Shift			
		RIGHT HAND DRIVE		2818371	1
		LEFT HAND DRIVE		2818452	1
	GASKET – Lever & support assy	Console Shift		2808885	1
4.007	TUBE – Shift control				
	TUBE ASSY. – With reinforcing strip	6 Cyl. Eng. Steering Column Shift		2818269	1
	TUBE ASSY. – Less reinforcing strip	6 Cyl. Eng. Steering Column Shift		9929055	1
	BEARING – Tube to steering jacket	6 Cyl. Eng. Steering Column Shift		7433257	1
4.009	KNOB – Shift control lever				
	KNOB	4 Cyl. Eng.		7435401	1
	KNOB – Black	6 Cyl. Eng. Steering Column Shift		2813559BA	1
	KNOB – Brown	6 Cyl. Eng. Steering Column Shift		2813559CJ	1
	KNOB – Green	6 Cyl. Eng. Steering Column Shift		2813559CE	1
	KNOB – Dark Ash	6 Cyl. Eng. Steering Column Shift		2813559DD	1
	KNOB – Chestnut	6 Cyl. Eng. Steering Column Shift		2813559DG	1
	KNOB	6 Cyl. Eng. Console Shift		7435401	1
4.015	COVER - Gearshift lever				
	COVER ASSY.	Console Shift		2818454	1
	RETAINER	Console Shift		2818378	1
	NUT – Retainer	Console Shift		SP1534	5
4.016	GATE – Transmission control selector				
	GATE	Console Shift		2808881	1
	GATE	6 Cyl. Eng. Steering Column Shift		2812256	1
4.017	SPRING – Shift control				
	SPRING – Lever return – Anti-rattle	6 Cyl. Eng.	RIGHT HAND DRIVE	7439930	1
4.018	SUPPORT – Transmission control lever				
	SUPPORT	6 Cyl. Eng. Steering Column Shift		9928914	1
	SPACER – Support	6 Cyl. Eng. Steering Column Shift		9933746	1
	WASHER – Support	6 Cyl. Eng. Steering Column Shift		9933747	1

HOLDEN "LJ" PARTS CATALOGUE

GROUP	DESCRIPTION	MODEL	SIDE	PART No.	QTY.
TRANSMISSION ASSEMBLY, AUTOMATIC, STEERING COLUMN SHIFT, CONSOLE SHIFT					
4.019	LEVER, BUSH – Transmission control				
	LEVER ASSY.	Console Shift		2818372	1
	SHAFT	Console Shift	RIGHT HAND DRIVE	2806507	1
			LEFT HAND DRIVE	2817326	1
	BUSH - Lever & shaft to support	Console Shift		7438537	2
	SPRING - Lever	Console Shift		7438536	1
	LEVER ASSY. - Lower	70, 1300 Eng.		2810735	1
	LEVER ASSY - Lower	1600, 1760, 6 Cyl. Eng.			
		Console Shift	RIGHT HAND DRIVE	2806505	1
			LEFT HAND DRIVE	2812449	1
	RETAINER - Lever to control rod	Console Shift		3749084	1
4.038	HOUSING and PANEL, MASK, POINTER – Transmission control indicator console shift				
	HOUSING & PANEL ASSY.	Console Shift		2819749	1
	NUT - Housing to console	Console Shift		SP1765	2
	BULB - Miniature, wedge base 12V 1.2W	Console Shift		SP2103	1
	SOCKET - Bulb	Console Shift		SP2104	1
	MASK - Bulb	Console Shift		2818376	1
	POINTER	Console Shift		2818373	1
	RETAINER - Pointer	Console Shift		2823538	1
4.038	HOUSING and DIAL – Transmission control indicator steering column shift				
	HOUSING & DIAL ASSY. - Black	6 Cyl. Eng. Steering Column Shift		2822649BA	1
	HOUSING & DIAL ASSY. - Brown	6 Cyl. Eng. Steering Column Shift		2822649CJ	1
	HOUSING & DIAL ASSY - Green	6 Cyl. Eng. Steering Column Shift		2822649CE	1
	HOUSING & DIAL ASSY. - Dark Ash	6 Cyl. Eng. Steering Column Shift		2822649DD	1
	HOUSING & DIAL ASSY. - Chestnut	6 Cyl. Eng. Steering Column Shift		2822649DG	1
	SCREW - Housing to cover	6 Cyl. Eng. Steering Column Shift		9420908	2
	SOCKET & LEAD ASSY.	6 Cyl. Eng. Steering Column Shift		2822650	1
	RETAINER - Bulb socket	6 Cyl. Eng. Steering Column Shift		2822635	1
	SCREW - Retainer	6 Cyl. Eng. Steering Column Shift		SP2427	1
	BULB - Miniature, wedge base 12V 1.2W	6 Cyl. Eng. Steering Column Shift		SP2103	1
4.038	POINTER – Transmission control indicator				
	POINTER	6 Cyl. Eng. Steering Column Shift		2822615	1
	COVER - Pointer	6 Cyl. Eng. Steering Column Shift		7419642	1
	SCREW - Cover	6 Cyl. Eng. Steering Column Shift		SP1961	2
4.040	ROD, TRUNNION, INSULATOR, CROSS SHAFT – Transmission control				
	ROD ASSY	4 Cyl. Eng.		⁽¹¹²⁾ 2814002	1
	ROD ASSY.	4 Cyl. Eng.		⁽¹¹³⁾ 9929530	1
	ROD ASSY - Upper	6 Cyl. Eng. Steering Column Shift		2806862	1
	ROD ASSY. - Lower	6 Cyl. Eng. Steering Column Shift		2806863	1
	RETAINER - Rod, upper & lower	6 Cyl. Eng. Steering Column Shift		3749084	2
	TRUNNION - Control rod	6 Cyl. Eng. Steering Column Shift		2809206	1
	WASHER - Special	6 Cyl. Eng. Steering Column Shift		7400948	A.R
	CROSS SHAFT ASSY.	6 Cyl. Eng. Steering Column Shift		2806864	1
	INSULATOR - Frame bracket	6 Cyl. Eng. Steering Column Shift		7418439	1
	SUPPORT ASSY - Cross shaft to frame	6 Cyl. Eng. Steering Column Shift		2807117	1
	BRACKET - Cross shaft to engine	6 Cyl. Eng. Steering Column Shift		2805074	1
	SLEEVE - Cross shaft	6 Cyl. Eng. Steering Column Shift		2805207	1
	ROD ASSY.	6 Cyl. Eng. Console Shift			
		RIGHT HAND DRIVE		2806520	1
		LEFT HAND DRIVE		2812447	1
	ADJUSTER - Control rod	Console Shift	RIGHT HAND DRIVE	2822094	1

N-L-A ←

Note: ⁽¹¹²⁾ Prior to A.D.R. 10B.
⁽¹¹³⁾ Use with A.D.R. 10B.

HOLDEN "LJ" PARTS CATALOGUE

GROUP	DESCRIPTION	MODEL	SIDE	PART No.	QTY.
TRANSMISSION ASSEMBLY, AUTOMATIC, STEERING COLUMN SHIFT, CONSOLE SHIFT					
4.040	ROD, TRUNNION, INSULATOR, CROSS SHAFT – Transmission control (contd.)				
	PIN – Adjuster to selector lever	Console Shift	RIGHT HAND DRIVE	7141838	1
	RETAINER	Console Shift	RIGHT HAND DRIVE	3749084	1
	TRUNNION – Control rod		LEFT HAND DRIVE	7410279	1
	INSULATOR – Control rod		LEFT HAND DRIVE	7418439	1
	WASHER – Special		LEFT HAND DRIVE	7400948	1
4.041	LEVER – Transmission external control				
	LEVER	70, 1300 Eng.		2810736	1
	LEVER	1600, 1760 Eng.		2806523	1
	LEVER	6 Cyl. Eng. Steering Column Shift		2814386	1
	LEVER	6 Cyl. Eng. Console Shift			
			RIGHT HAND DRIVE	2806523	1
			LEFT HAND DRIVE	2812448	1
4.054	SWITCH – Neutral starting and back-up				
	SWITCH ASSY.	Console Shift		2806518	1
	SWITCH ASSY.	6 Cyl. Eng. Steering Column Shift	N-L-A ←	2823578	1
4.054	SWITCH, BRACKET – Solenoid detent actuating				
	SWITCH ASSEMBLY	ALL		2819605	1
	BRACKET ASSEMBLY – Switch mounting		LEFT HAND DRIVE	2820529	1
	NUT – Switch to mounting	ALL		858388	1
4.055	LEAD – Neutral starting safety switch				
	LEAD ASSY.	6 Cyl. Eng. Console Shift			
			RIGHT HAND DRIVE	2814105	1
			LEFT HAND DRIVE	2819193	1
	BODY – Panel connector	Console Shift	RIGHT HAND DRIVE	2962448	1
	BODY – Terminal 2 way female	Console Shift		2962679	1
	BODY – Terminal 2 way male	Console Shift		2977763	1
	BODY – Terminal 2 way male	Console Shift		2973431	1
	BODY – Terminal 2 way panel	Console Shift		2962967	1
4.081	MOUNTING – Transmission support				
	MOUNTING ASSY.	4 Cyl. Eng.		2806451	1
	MOUNTING ASSY.	6 Cyl. Eng.		7432236	1
	BRACKET		RIGHT HAND DRIVE	⁽¹¹²⁾ 2812818	2
	BRACKET		LEFT HAND DRIVE	2812818	2
	INSULATOR		RIGHT HAND DRIVE	⁽¹¹²⁾ 2812819	2
	INSULATOR – Upper		RIGHT HAND DRIVE	⁽¹¹³⁾ 9928573	4
	INSULATOR – Lower		RIGHT HAND DRIVE	⁽¹¹³⁾ 9928574	4
	INSULATOR		LEFT HAND DRIVE	2812819	2
	RETAINER – Insulator		RIGHT HAND DRIVE	⁽¹¹³⁾ 7449704	4
	ADAPTOR	4 Cyl. Eng.		2806834	1
	PLATE – Nut	4 Cyl. Eng.		2806835	1
	ARRESTOR	6 Cyl. Eng.		7432222	1
	REINFORCEMENT		RIGHT HAND DRIVE	⁽¹¹²⁾ 2807445	1
	REINFORCEMENT		RIGHT HAND DRIVE	⁽¹¹³⁾ 9928656	1
	REINFORCEMENT		LEFT HAND DRIVE	2807445	1
	SPACER	70, 1300 Eng.		⁽¹¹³⁾ 9928667	2
	SPACER	1600, 1760 Eng.		⁽¹¹³⁾ 9928668	2

Note: ⁽¹¹²⁾ Prior to A.D.R. 10B.
⁽¹¹³⁾ Use with A.D.R. 10B.

HOLDEN "LJ" PARTS CATALOGUE

GROUP	DESCRIPTION	MODEL	SIDE	PART No.	QTY.
TRANSMISSION ASSEMBLY, AUTOMATIC, STEERING COLUMN SHIFT, CONSOLE SHIFT					
4.081	MOUNTING – Transmission support (contd.)				
	SPACER	6 Cyl. Eng.	RIGHT HAND DRIVE	(¹¹³ 9928668)	2
	WASHER	4 Cyl. Eng.		(¹¹³ 1038079)	1
	BRACE	4 Cyl. Eng.		7448620	2
	BOLT & WASHER ASSY. – Hex. Hd. type 'A' 3/8" – 16 UNC x .875"		RIGHT HAND DRIVE	(¹¹² SP2035)	4
	BOLT & WASHER ASSY. – Hex. Hd. 3/8" – 16 x 1.625" BOLT & WASHER ASSY. – Hex. hd. type 'A' 3/8" – 16 UNC x .875"		RIGHT HAND DRIVE	(¹¹³ SP2458)	4
			LEFT HAND DRIVE	SP2035	4
4.103	CASE – Transmission				
	CASE ASSY.		RIGHT HAND DRIVE	2818390	1
			LEFT HAND DRIVE	2818391	1
	BUSHING – Case	ALL		5258191	1
	SLEEVE – Reaction sun gear and drum bearing	ALL		5258158	1
4.104	VENT – Transmission				
	VENT ASSY.	ALL		3820840	1
4.127	RING – Transmission oil seal (Metal)				
	RING KIT	ALL		2811197	1
	RING – Servo piston	ALL		5258159	1
	RING – Accumulator piston	ALL		8623653	1
	RING – 2nd clutch oil seal	ALL		5258106	2
	RING – Governor hub oil seal	ALL		5258100	3
4.128	PIPE – Transmission oil cooler				
	PIPE ASSY. – Inlet	70, 1300 Eng.		2806678	1
	PIPE ASSY. – Inlet	1600, 1760 Eng.		2820826	1
	PIPE ASSY. – Outlet	70, 1300 Eng.		2806679	1
	PIPE ASSY. – Outlet	1600, 1760 Eng.		2820827	1
	PIPE ASSY. – Inlet	6 Cyl. Eng.	RIGHT HAND DRIVE	(¹¹² 2805136)	1
	PIPE ASSY. – Inlet	6 Cyl. Eng.	RIGHT HAND DRIVE	(¹¹³ 9930038)	1
	PIPE ASSY. – Inlet		LEFT HAND DRIVE	2805136	1
	PIPE ASSY. – Outlet	6 Cyl. Eng.	RIGHT HAND DRIVE	(¹¹² 2805135)	1
	PIPE ASSY. – Outlet	6 Cyl. Eng.	RIGHT HAND DRIVE	(¹¹³ 9930037)	1
	PIPE ASSY. – Outlet		LEFT HAND DRIVE	2805135	1
	CLIP – Inlet to outlet pipe	ALL		3710497	2
4.128	RING – Transmission retainer and snap				
	RING – Servo piston retainer	ALL		5258121	1
	RING – Retainer front accumulator piston	ALL		5259667	1
	RING – Reverse clutch piston return spring seat retainer	ALL		5258093	1
	RING – 2nd clutch piston return spring seat retainer	ALL		5258093	1
	RING – 3rd clutch piston return spring retainer	ALL		5258094	1
	RING – 3rd clutch retainer	ALL		5258132	1
	RING – Governor to output shaft	ALL		5258116	1
	RING – Ring gear retainer	ALL		5258134	2

Note: (¹¹² Prior to A.D.R. 10B.
(¹¹³ Use with A.D.R. 10B.

HOLDEN "LJ" PARTS CATALOGUE

GROUP	DESCRIPTION	MODEL	SIDE	PART No.	QTY.
TRANSMISSION ASSEMBLY, AUTOMATIC, STEERING COLUMN SHIFT, CONSOLE SHIFT					
4.129	WASHER – Transmission thrust				
	WASHER – Clutch (Yellow) .070" – .074"	ALL		⁽⁶⁹⁾ 5258202	1
	WASHER – Clutch (Blue) .076" – .080"	ALL		⁽⁶⁹⁾ 5258203	1
	WASHER – Clutch (Red) .081" – .085"	ALL		⁽⁶⁹⁾ 5258204	1
	WASHER – Clutch (Brown) .086" – .090"	ALL		⁽⁶⁹⁾ 5258205	1
	WASHER – Clutch (Green) .091" – .095"	ALL		⁽⁶⁹⁾ 5258206	1
	WASHER – Clutch (Black) .097" – .101"	ALL		⁽⁶⁹⁾ 5258207	1
	WASHER – 2nd & 3rd clutch (Steel)	ALL		5258090	1
	WASHER – 2nd & 3rd clutch (Bronze)	ALL		5258091	1
	WASHER – Reaction sun gear & drum	ALL		5258046	2
4.133	TUBE, INDICATOR, "O" RING -- Transmission oil				
	TUBE ASSY. – Oil filler	70, 1300 Eng.		2817642	1
	TUBE ASSY. – Oil filler	1600, 1760 Eng.		2820388	1
	INDICATOR ASSY. – Oil level	4 Cyl. Eng.		7449562	1
	TUBE ASSY. – Oil filler	6 Cyl. Eng.		2805057	1
	INDICATOR ASSY. – Oil level	6 Cyl. Eng.		2805059	1
	"O" RING – Tube to case	ALL		6264902 6255641	1
4.153	DRUM and INPUT SHAFT – 3rd clutch				
	DRUM & INPUT SHAFT ASSY.	ALL		5258095	1
4.156	CONVERTER – Transmission				
	CONVERTER ASSY.	4 Cyl. Eng.		5258454	1
	BOLT – Converter to drive plate	4 Cyl. Eng.		9410884	3
	CONVERTER ASSY.	2250 Eng.		5258294	1
	CONVERTER ASSY.	2850, 3300 Eng.		5258293	1
	BOLT – Converter to drive plate	6 Cyl. Eng.		3799830	3
4.158	DRUM, BUSHING, SPRAG – Transmission clutch				
	DRUM ASSY. – 2nd clutch	ALL		5258129	1
	BUSHING – 2nd clutch hub	ALL		5258128	1
	BUSHING – Reaction sun gear drum	ALL		2816491	1
	SPRAG ASSY. – Input	ALL		5258137	1
	RACE & RETAINER ASSY. – 3rd clutch input sprag.	ALL		5258351	1
4.158	CLUTCH ASSY. – Second & third				
	CLUTCH ASSY. – Second	70, 1300 Eng.		2816425	1
	CLUTCH ASSY. – Second	1600, 1760 Eng.		2816426	1
	CLUTCH ASSY. – Second	2850, 3300 Eng.		2816427	1
	CLUTCH ASSY. – Third	70, 1300 Eng.		2816431	1
	CLUTCH ASSY. – Third	1600, 1760 Eng.		2816432	1
	CLUTCH ASSY. – Third	2850, 3300 Eng.		2816433	1
4.163	PLATE, SPACER – Clutch				
	PLATE ASSY. – 2nd drive	70, 1300 Eng.		5258025	2
	PLATE ASSY. – 2nd drive	1600, 1760, 2250 Eng.		5258025	3
	PLATE ASSY. – 2nd drive	2850, 3300 Eng.		5258025	4
	PLATE – 2nd driven	70, 1300 Eng.		5258057	3
	PLATE – 2nd driven	1600, 1760, 2250 Eng.		5258057	4
	PLATE – 2nd driven	2850, 3300 Eng.		5258057	5
	PLATE – 2nd cushion	ALL		5258990	1
	PLATE – 3rd drive	70, 1300 Eng.		5258035	2
	PLATE – 3rd drive	1600, 1760, 2250 Eng.		5258035	3
	PLATE – 3rd drive	2850, 3300 Eng.		5258035	4
	PLATE – 3rd driven	70, 1300 Eng.		5258058	3
	PLATE – 3rd driven	1600, 1760, 2250 Eng.		5258058	4
	PLATE – 3rd driven	2850, 3300 Eng.		5258058	5
	PLATE – Reverse drive	70, 1300 Eng.		5258017	2

Note: ⁽⁶⁹⁾ Selective Fit.

HOLDEN "LJ" PARTS CATALOGUE

GROUP	DESCRIPTION	MODEL	SIDE	PART No.	QTY.
TRANSMISSION ASSEMBLY, AUTOMATIC, STEERING COLUMN SHIFT, CONSOLE SHIFT					
4.163	PLATE, SPACER – Clutch (contd.)				
	PLATE – Reverse drive	1600, 1760, 2250 Eng.		5258017	3
	PLATE – Reverse drive	2850, 3300 Eng.		5258017	4
	PLATE – Reverse reaction	70, 1300 Eng.		5258019	3
	PLATE – Reverse reaction	1600, 1760, 2250 Eng.		5258019	4
	PLATE – Reverse reaction	2850, 3300 Eng.		5258019	5
	PLATE – Reverse pressure	ALL		5258528	1
	PLATE – Reverse cushion	ALL		5258989	1
	SPACER – 2nd clutch plate	70, 1300 Eng.		5258282	1
	SPACER – 2nd clutch plate	1600, 1760, 2250 Eng.		5258283	1
	SPACER – 2nd clutch plate	2850, 3300 Eng.		5258284	1
4.164	SPRING – Clutch piston return				
	SPRING – 2nd clutch	ALL		5258124	22
	SPRING – 3rd clutch	ALL		5258124	12
	SPRING – Reverse clutch	ALL		5258124	24
4.165	SEAT – Clutch piston return spring				
	SEAT – 2nd clutch	ALL		5258038	1
	SEAT – 3rd clutch	ALL		5258039	1
4.166	PISTON, SEAL – Clutch				
	PISTON ASSY. – 2nd clutch	ALL		5258109	1
	PISTON ASSY. – 3rd clutch	70, 1300 Eng.		5258322	1
	PISTON ASSY. – 3rd clutch	1600, 1760, 2250 Eng.		5258111	1
	PISTON ASSY. – 3rd clutch	2850, 3300 Eng.		5258112	1
	PISTON – Reverse clutch	70, 1300 Eng.		5258288	1
	PISTON – Reverse clutch	1600, 1760, 2250 Eng.		5258001	1
	PISTON – Reverse clutch	2850, 3300 Eng.		5258002	1
	SEAL – 2nd clutch piston inner	ALL		5258043	1
	SEAL – 2nd clutch piston outer	ALL		5258041	1
	SEAL – 3rd clutch piston inner	ALL		5258543	1
	SEAL – 3rd clutch piston outer	ALL		5258042	1
	SEAL – Reverse clutch piston inner	ALL		5258005	1
	SEAL – Reverse clutch piston outer	ALL		5258004	1
4.177	CARRIER and COMPONENTS – Planet				
	GEAR SET PACKAGE	ALL	(⁸¹)	2822065	1
	CARRIER ASSY.	ALL		2816419	1
	GEAR ASSY. – Input sun	ALL		2816435	1
	GEAR & DRUM ASSY. – Reaction sun	ALL		2816438	1
	PINION SET – Long	ALL		2816441	1
	PINION SET – Short	ALL		2816442	1
	BEARING PACKAGE – Pinion needle	ALL		M36815	1
	SHAFT – Long pinion	ALL		5258054	4
	SHAFT – Short pinion	ALL		5258055	4
	PLATE – Pinion shaft lock	ALL		5258545	1
	SCREW – Pinion shaft lock plate	ALL		5259609	4
	WASHER – Input sun gear to carrier assy.	ALL		5258554	1
	WASHER – Input shaft to sun gear thrust	ALL		5258555	1
	BEARING – Sun gear to carrier assy.	ALL		5258553	1
	BEARING – Input shaft to sun gear thrust	ALL		5258553	1
	BEARING – Reaction sun gear	ALL		5686837	2
4.187	GEAR – Transmission ring				
	GEAR	ALL		2816429	1

Note: (⁸¹ Gear Set Package consists of Carrier Assy., Ring Gear, Reaction Sun Gear Assy., Input Sun Gear Assy.)

HOLDEN "LJ" PARTS CATALOGUE

GROUP	DESCRIPTION	MODEL	SIDE	PART No.	QTY.
TRANSMISSION ASSEMBLY, AUTOMATIC, STEERING COLUMN SHIFT, CONSOLE SHIFT					
4.189	SEAT – Reverse clutch piston return spring				
	SEAT	ALL		5258021	1
4.195	PAN – Transmission oil				
	PAN ASSY.	ALL		5258141	1
	SCREW – Hex. hd. mach. $\frac{5}{16}$ " – 18 x $\frac{5}{16}$ "	ALL		3829139	12
	SCREW & GASKET ASSY. – Drain	ALL		7423483	1
	GASKET – Drain screw	ALL		513975	1
4.196	GASKET – Transmission oil pan				
	GASKET	ALL		2822944	1
4.205	PIPE, ADAPTOR, SLEEVE VALVE – Transmission vacuum modulator				
	PIPE	70, 1300 Eng.		2825352	1
	PIPE	1600, 1760 Eng.		2820828	1
	PIPE	6 Cyl. Eng.		9931778	1
	CONNECTOR – Pipe	70, 1300 Eng. exc. Power & Disc Brakes ..		2819593	1
	CONNECTOR – Pipe	6 Cyl. Eng.		2819593	1
	ADAPTOR – 2 way	6 Cyl. Eng. Power & Disc Brakes		2818821	1
	SLEEVE – Mod. pipe to adaptor	70, 1300 Eng. Power & Disc Brakes		2816706	1
	SLEEVE – Mod. pipe to trans.	ALL		7420336	2-1
	SLEEVE – Mod. pipe to manifold	1600, 1760 Eng.		2820844	1
	CLIP – Mod. pipe to housing	1600, 1760 Eng.		2686706	1
	CLIP – Mod. pipe to manifold	1600, 1760 Eng.		354894	1
	VALVE – Pipe to manifold	4 Cyl. Eng. Power & Disc Brakes		8855906	1
4.212	COVER – Transmission servo				
	COVER	ALL		2814877	1
	GASKET – Cover	ALL		5258339	1
4.223	GASKET – Oil pump suction screen				
	GASKET	ALL		2823667	1
4.224	SCREEN – Transmission oil pump suction				
	SCREEN ASSY.	ALL		5258130	1
4.226	OIL PUMP COMPONENTS				
	BUSHING – Body	ALL		9930035	1
	VALVE – Pressure regulator booster	ALL		5258143	1
	VALVE – Priming	ALL		5258344	1
	SPRING – Priming valve	ALL		5258586	1
	VALVE – Pressure regulator	ALL		5258140	1
	SPRING – Pressure regulator valve	Exc. 3300 Eng.		5258166	1
	SPRING – Pressure regulator valve	3300 Eng.		2810499	1
	PIN – Pressure regulator valve (Chamfer $\frac{1}{8}$ " x $1\frac{1}{16}$ ".)	ALL		114468	1
	PLATE – Wear	ALL		5258850	1
	SEAL – Converter housing to pump	ALL		7436448	5
	SEAL – Converter housing & pump to case	ALL		7436448	7
	SEAL – Oil pump outer	ALL		5258119	1
	SEAT – Pressure regulator valve spring	ALL		5258219	2
	BODY & GEAR PACKAGE (Matched Set)	ALL		9929279	1
	SLEEVE – Pressure regulator booster valve	ALL		5258161	1
	RETAINER – Priming valve	ALL		3784609	1
	GASKET – Oil pump assy.	ALL		5258939	1
	BOLT – Flanged, hex. hd. $\frac{5}{16}$ " – 18 x $1\frac{3}{8}$ "	ALL		9423842	5
	PLUG – Oil pump	ALL		453570	3

HOLDEN "LJ" PARTS CATALOGUE

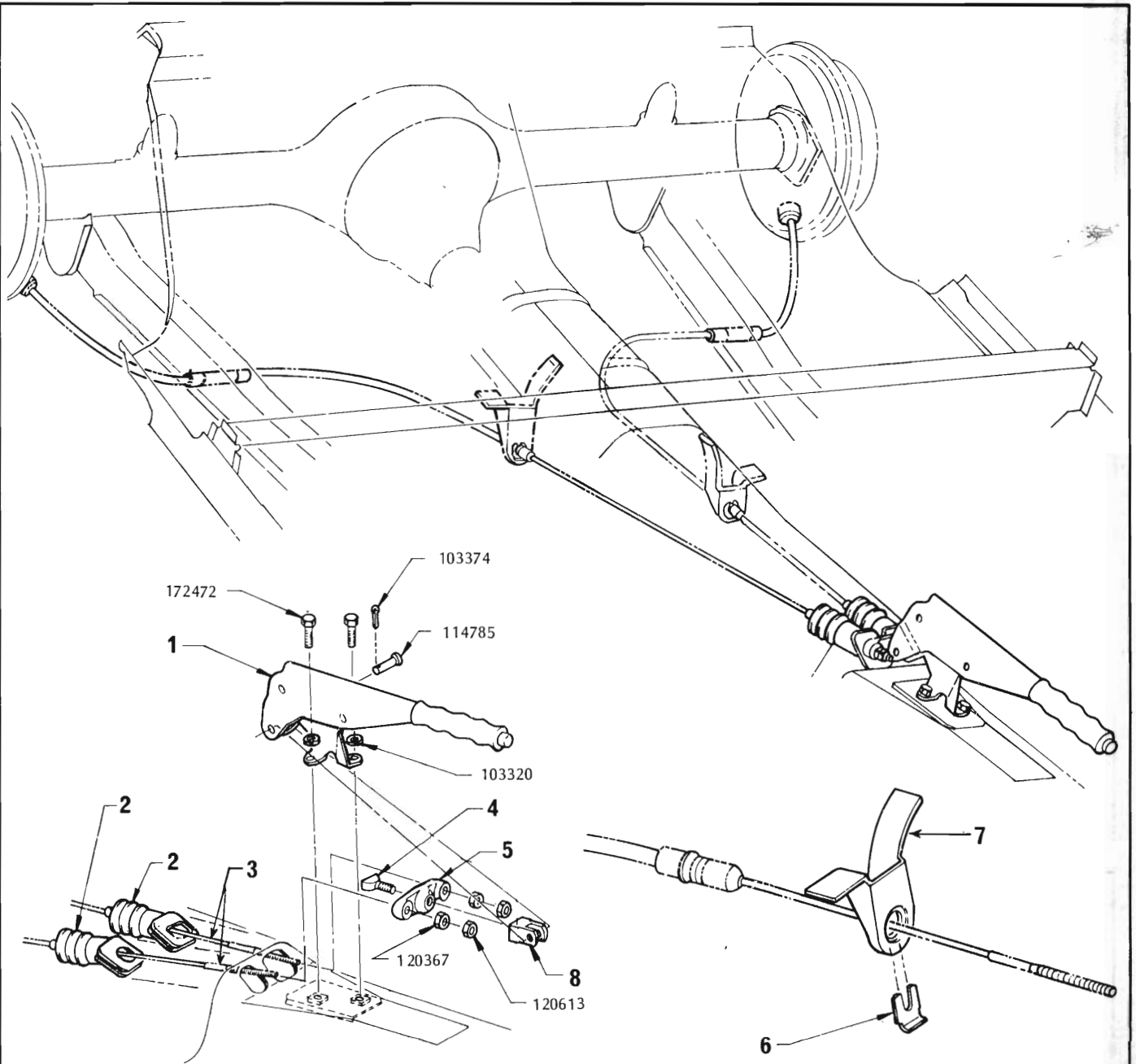
GROUP	DESCRIPTION	MODEL	SIDE	PART No.	QTY.
TRANSMISSION ASSEMBLY, AUTOMATIC, STEERING COLUMN SHIFT, CONSOLE SHIFT					
4.228	PISTON – Servo and accumulator				
	PISTON ASSY. – Servo	70, 1300 Eng.		5258570	1
	PISTON ASSY. – Servo	1600, 1760 Eng.		5258183	1
	PISTON ASSY. – Servo	6 Cyl. Eng.		5258569	1
	PISTON – Accumulator	ALL		5258186	1
4.230	ROD – Servo piston apply				
	ROD	ALL		9928795	1
4.233	SPRING, RETAINER, PIN – Piston				
	SPRING – Servo piston return	70, 1300 Eng.		5258165	1
	SPRING – Servo piston return	1600, 1760 Eng.		5258572	1
	SPRING – Servo piston return	6 Cyl. exc. 3300 Eng.		5258572	1
	SPRING – Servo piston return	3300 Eng.		5258165	1
	SPRING – Servo piston cushion	70, 1300 Eng.		5258568	1
	SPRING – Servo piston cushion	1600, 1760 Eng.		5258564	1
	SPRING – Servo piston cushion	6 Cyl. Eng.		5258566	1
	RETAINER – Servo piston	ALL		5258185	1
	PIN – Accumulator piston	ALL		5259666	1
	SPRING – Accumulator piston	ALL		5258563	1
4.251	BAND – Transmission reaction				
	BAND ASSY.	ALL		5463805	1
	PIN – Band	ALL		5258190	2
4.256	GOVERNOR and COMPONENTS				
	GOVERNOR ASSY.	4 Cyl. Eng.		2820229	1
	GOVERNOR ASSY.	6 Cyl. Eng.		2820230	1
	BODY – Governor valve	ALL		2820857	1
	SCREW & LOCK WASHER ASSY. – Hex. hd. mach. ¼" – 20 x ¾"	ALL		3805921	2
	GASKET – Governor	ALL		2818038	1
	VALVE – Primary	4 Cyl. Eng.		2820231	1
	VALVE – Primary	6 Cyl. Eng.		2820232	1
	VALVE – Secondary	4 Cyl. Eng.		5258809	1
	VALVE – Secondary	6 Cyl. Eng.		5258329	1
	SPRING – Secondary valve	ALL		5258547	1
	RETAINER – Secondary valve spring	ALL		5258342	1
	SCREEN ASSY. – Governor valve	ALL		5258383	1
4.265	BODY – Valve and components				
	BODY ASSY.	4 Cyl. Eng.		2811798	1
	BODY ASSY.	6 Cyl. exc. 3300 Eng.		2818112	1
	BODY ASSY.	3300 Eng.		2824453	1
	BODY	ALL		2811797	1
	PLATE – Transfer	ALL		2817631	1
	BALL – Valve body pressure seal	ALL		147481	7
	BALL – 2nd clutch quick dump	ALL		453571	1
	BALL – Pressure regulator booster valve	ALL		453571	1
	GASKET – Transfer plate to valve body	ALL		5258443	1
	GASKET – Transfer plate to case	ALL		2825184	1
	REINFORCEMENT – Transfer plate	ALL		2817632	1
	SOLENOID & CONNECTOR ASSY. – Detent	ALL		2817633	1
	"O" RING – Solenoid	ALL		VS12096	1
	GASKET – Solenoid	ALL		2817634	1
	MODULATOR ASSY. – Vacuum	ALL		5258181	1
	PLUNGER – Vacuum modulator	ALL		5258244	1
	GASKET – Vacuum modulator	ALL		5258240	1
	VALVE – Vacuum modulator	70, 1300 Eng.		5258179	1
	VALVE – Vacuum modulator	1600, 1760 Eng.		5258864	1

HOLDEN "LJ" PARTS CATALOGUE

GROUP	DESCRIPTION	MODEL	SIDE	PART No.	QTY.
TRANSMISSION ASSEMBLY, AUTOMATIC, STEERING COLUMN SHIFT, CONSOLE SHIFT					
4.265	BODY – Valve and components (contd.)				
	VALVE – Vacuum modulator	6 Cyl. Eng.		5258179	1
	SLEEVE – Vacuum modulator valve	70, 1300 Eng.		5258180	1
	SLEEVE – Vacuum modulator valve	1600, 1760 Eng.		5258866	1
	SLEEVE – Vacuum modulator valve	6 Cyl. Eng.		5258180	1
	SEAL – Vacuum modulator valve	ALL		5258338	1
	VALVE – Manual	ALL		5258145	1
	VALVE – 1st and 2nd shift	ALL		5258160	1
	VALVE – 2nd and 3rd shift	ALL		5258193	1
	VALVE – 1st and 2nd shift control	4 Cyl. Eng.		5258192	1
	VALVE – 1st & 2nd shift control	6 Cyl. Eng.		2814293	1
	VALVE – 2nd and 3rd shift control	ALL		9932546	1
	VALVE – Low speed down shift timing	ALL		5258340	1
	VALVE – High speed down shift timing	ALL		5258340	1
	VALVE – 3rd to 2nd control	ALL		5258340	1
	VALVE – Manual low control	ALL		5258213	1
	VALVE – 1st & 2nd accumulator	ALL		2814288	1
	VALVE – 1st & 2nd accumulator control	ALL		5258807	1
	VALVE – Detent pressure regulator	ALL		5258600	1
	VALVE – Reverse control	ALL		5258212	1
	PIN – Valve retaining	ALL		2820110	A.R.
	SPRING – 1st & 2nd shift control valve	4 Cyl. Eng.		2811014	1
	SPRING – 1st & 2nd shift control valve	6 Cyl. Eng.		2814312	1
	SPRING – 2nd & 3rd shift control valve	4 Cyl. Eng.		2811014	1
	SPRING – 2nd & 3rd shift control valve	6 Cyl. Eng.		5258578	1
	SPRING – Low speed down shift timing valve	ALL		5258579	1
	SPRING – High speed down shift timing valve	4 Cyl. Eng.		5258580	1
	SPRING – High speed down shift timing valve	6 Cyl. Eng.		9929681	1
	SPRING – 3rd to 2nd control valve	Exc. 3300 Eng.		2817224	1
	SPRING – 3rd to 2nd control valve	3300 Eng.		2816882	1
	SPRING – Manual low & reverse control valve	ALL		5258547	1
	SPRING – 1st & 2nd accumulator valve	6 Cyl. exc. 3300 Eng.		2810537	1
	SPRING – 1st & 2nd accumulator valve	3300 Eng.		2810538	1
	SPRING – Detent pressure regulator valve	4 Cyl. Eng.		2811015	1
	SPRING – Detent pressure regulator valve	6 Cyl. Eng.		5258582	1
	SLEEVE – 1st & 2nd shift control valve	6 Cyl. Eng.		2814294	1
	SLEEVE – 2nd & 3rd shift control valve	4 Cyl. Eng.		5258195	1
	SLEEVE – 2nd & 3rd shift control valve	6 Cyl. Eng.		9932545	1
	SEAT – 2nd & 3rd shift control valve spring	ALL		5258509	1
	SEAT – Detent pressure regulator valve spring	ALL		5258805	1
	LINK – Manual valve lever	ALL		5258243	1
	PLUG – Low speed down shift timing valve	ALL		5258216	1
	PLUG – 3rd to 2nd control valve	ALL		5258216	1
	PLUG – 1st & 2nd accumulator valve	ALL		5258333	1
4.279	VALVE, SPRING, SLEEVE, ROLLER – Detent				
	VALVE	ALL		2824303	1
	SPRING – Valve	ALL		9929681	1
	SLEEVE – Valve	ALL		2817627	1
	SEAL – Valve sleeve oil	ALL		5258338	1
	ROLLER & SPRING ASSY.	ALL		5258253	1
	SPRING – Manual detent	ALL		2809934	1
	PIN – Detent valve retaining	ALL		2825091	1
	LEVER – Park lock & range selector, inner	ALL		5258149	1
	PIN – Lever	ALL		2825091	1
4.282	SEAL – Park lock and range selector shaft oil				
	SEAL	ALL		8623056	1

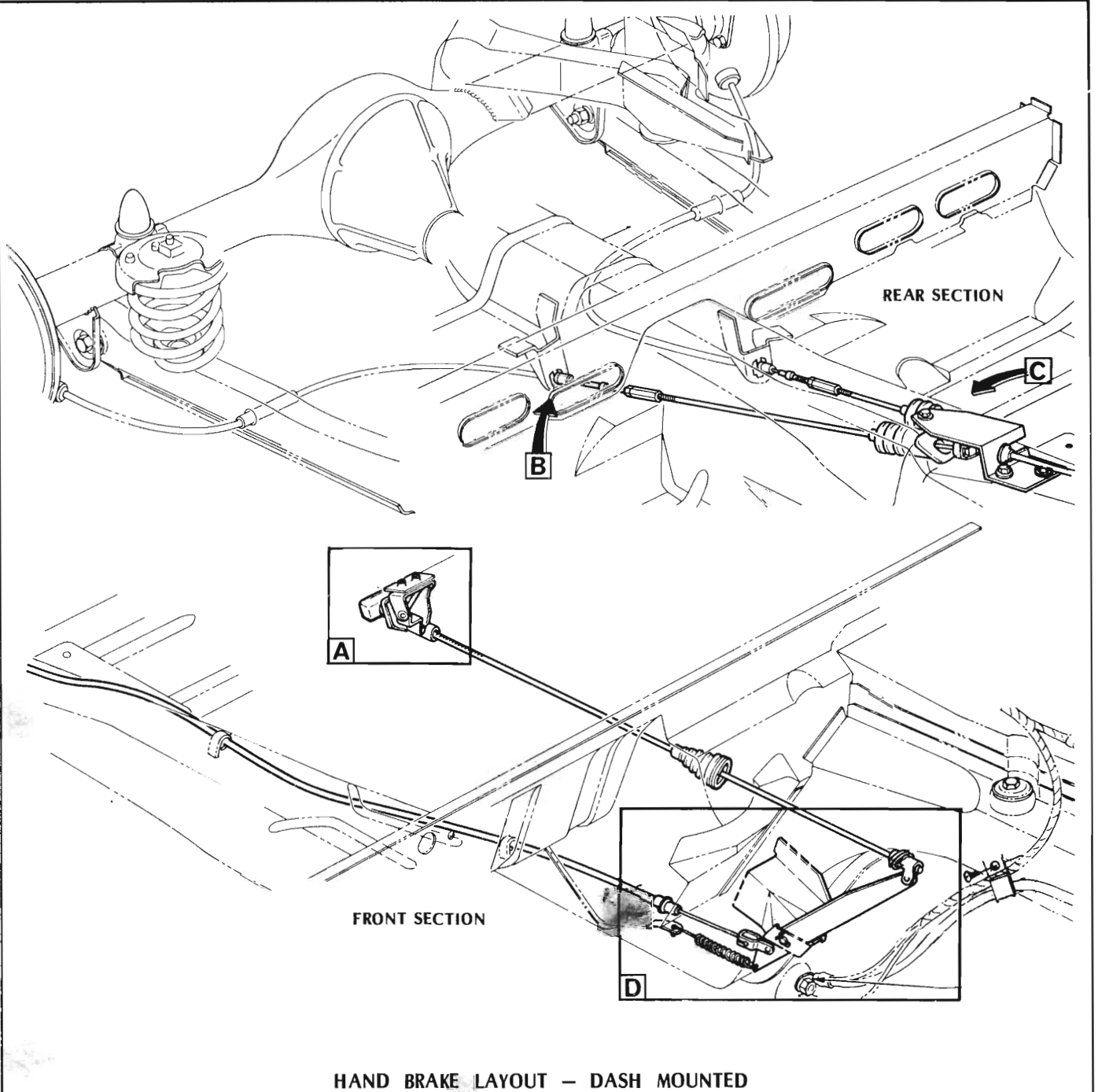
HOLDEN "LJ" PARTS CATALOGUE

GROUP	DESCRIPTION	MODEL	SIDE	PART No.	QTY.
TRANSMISSION ASSEMBLY, AUTOMATIC, STEERING COLUMN SHIFT, CONSOLE SHIFT					
4.294	ACTUATOR, RING, SLEEVE, SHAFT – Parking brake lock				
	ACTUATOR ASSY.	ALL		2817360	1
	RING - Actuator to inner lever	ALL		9411834	1
	SLEEVE - Actuator	ALL		5258082	1
	PAWL	ALL		5258062	1
	SHAFT - Pawl	ALL		5258366	1
	SHAFT - Park lock and range selector		RIGHT HAND DRIVE	5258286	1
			LEFT HAND DRIVE	5258241	1
4.295	SPRING – Parking brake lock pawl disengaging				
	SPRING	ALL		5258076	1
4.317	HOUSING – Transmission rear bearing				
	HOUSING - Rear bearing	ALL		5258484	1
	BUSHING - Housing	ALL		3717682	1
	SEAL - Housing	ALL		3932255	1
4.318	GASKET – Transmission rear bearing housing				
	GASKET	ALL		5258199	1
4.337	GEAR – Speedometer driven and drive				
	GEAR - Driven - 24 teeth	70, 1300 Eng.		7430972	1
	GEAR - Driven - 22 teeth	1600, 1760 Eng.		7430972	1
	GEAR - Driven - 22 teeth	6 Cyl. Eng. 3.08:1 A.R.		7430970	1
	GEAR - Driven - 20 teeth	6 Cyl. Eng. 2.78:1 A.R.		7430968	1
	GEAR - Driven - 24 teeth	6 Cyl. Eng. 3.36:1 A.R.		7430972	1
	GEAR - Drive	4 Cyl. Eng.		5258754	1
	GEAR - Drive	6 Cyl. Eng.		5258493	1
	CLIP - Drive gear	ALL		1378122	1
4.338	"O" RING – Speedometer driven gear				
	"O" RING	ALL		7430921	1
4.342	CABLE and CASING, GROMMET, RETAINER – Speedometer				
	CABLE & CASING	4 Cyl. Eng.		2817825	1
	CABLE & CASING	6 Cyl. Eng.	RIGHT HAND DRIVE	2817827	1
			LEFT HAND DRIVE	2817828	1
	CABLE KIT	4 Cyl. Eng.		VS11030	1
	CABLE KIT	6 Cyl. Eng.	RIGHT HAND DRIVE	VS11028	1
	GROMMET - Speedo cable		RIGHT HAND DRIVE	7438395	1
	CLIP - Pipe & cable to side rail $\frac{5}{16}$ " - $\frac{3}{16}$ "	ALL		SP1546	1
	RETAINER - Speedo drive end	ALL		7430917	1
	SEAL - Cable	ALL		7434266	1
	RETAINER - Seal	ALL		2817874	1



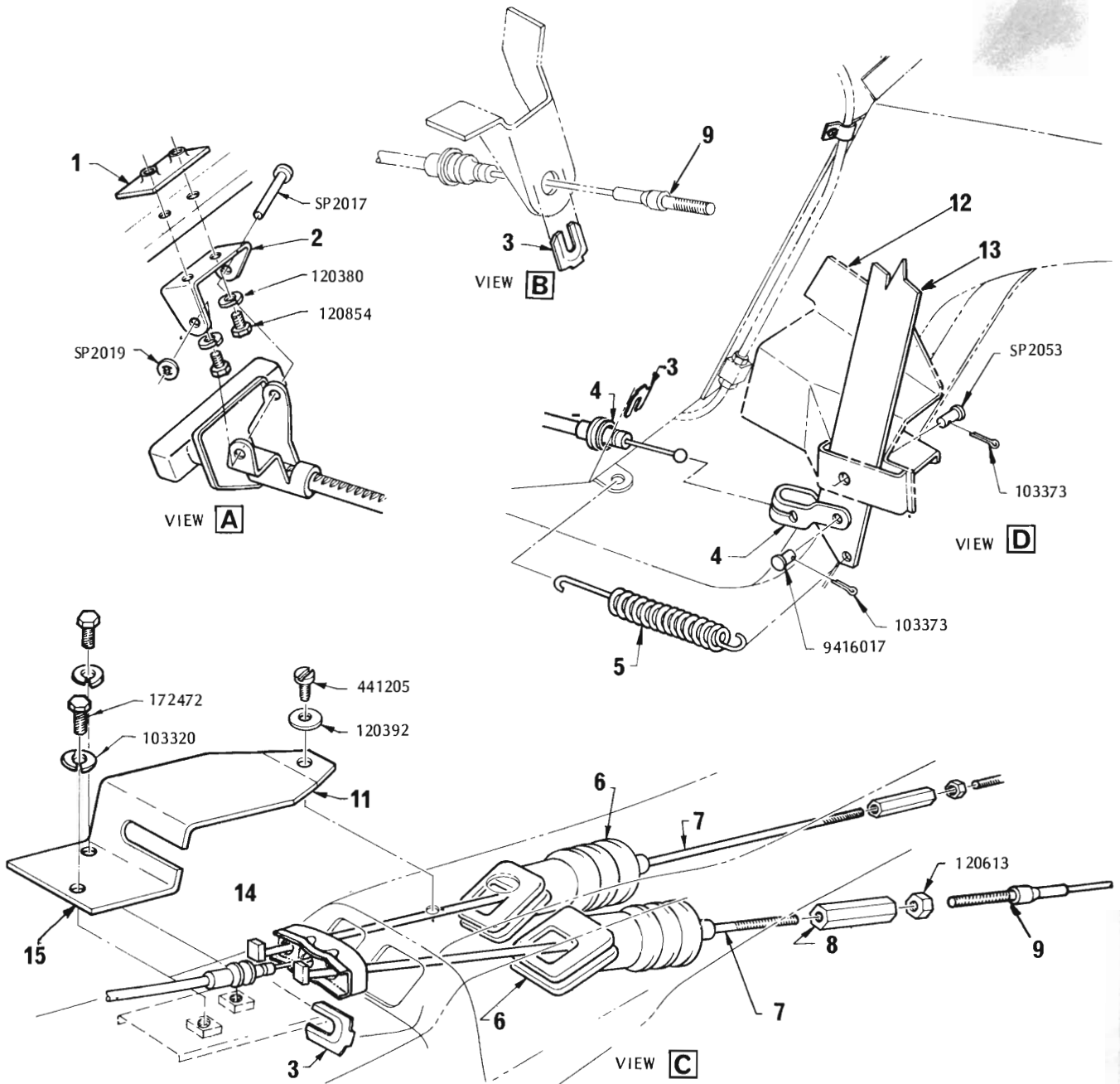
HAND BRAKE LAYOUT – FLOOR MOUNTED

ILLUS. REF. NO.	PART NAME	GROUP
1.	LEVER ASSY.	4.591
2.	BOOT – Cable	4.828
3.	CABLE ASSY. – Rear	4.826
4.	STUD – Equaliser to clevis	4.765
5.	EQUALISER	4.764
6.	SPRING – Yoke	4.826
7.	BRACKET – Cable	4.829
8.	CLEVIS – Equaliser stud	4.826



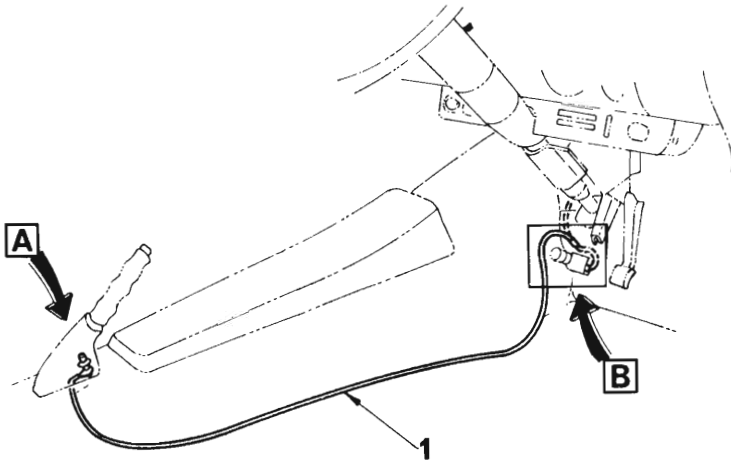
HAND BRAKE LAYOUT - DASH MOUNTED

VIEW "A" REFER PAGE }
VIEW "B" REFER PAGE } 295
VIEW "C" REFER PAGE }
VIEW "D" REFER PAGE }

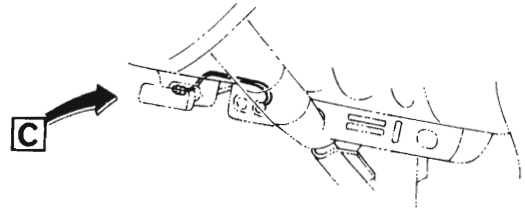


HAND BRAKE LAYOUT – DASH MOUNTED

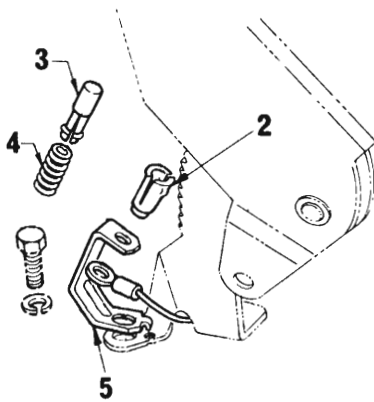
ILLUS. REF. NO.	PART NAME	GROUP	ILLUS. REF. NO.	PART NAME	GROUP
1.	PLATE – Upper mounting bracket	4.591	7.	ROD – Cable adjusting	4.825
2.	BRACKET ASSY. – Lever mounting upper	4.591	8.	BAR – Rear cable adjusting	4.825
3.	SPRING – Yoke	4.826	9.	CABLE ASSY. – Rear	4.826
4.	WASHER – Cable	4.826	11.	BRACKET	4.764
5.	SPRING – Lever return	4.596	12.	BRACKET ASSY. – Lever mounting lower	4.591
6.	BOOT – Cable	4.828	13.	LEVER	4.596
			14.	PLATE – Lock, portion of Cable Assy., front	N.S.S.



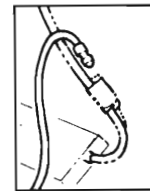
FLOOR MOUNTED



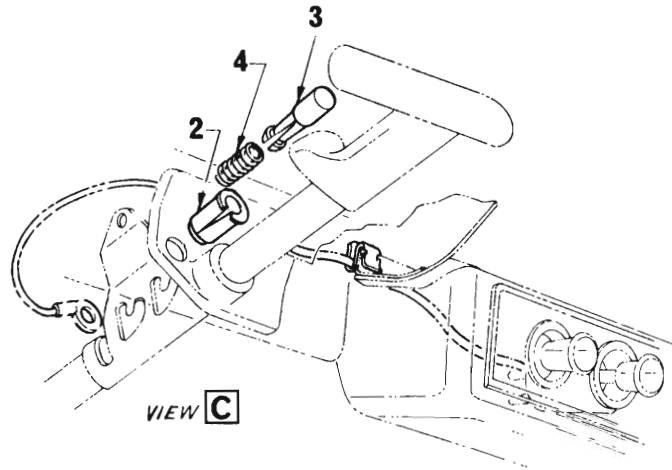
DASH MOUNTED



VIEW A



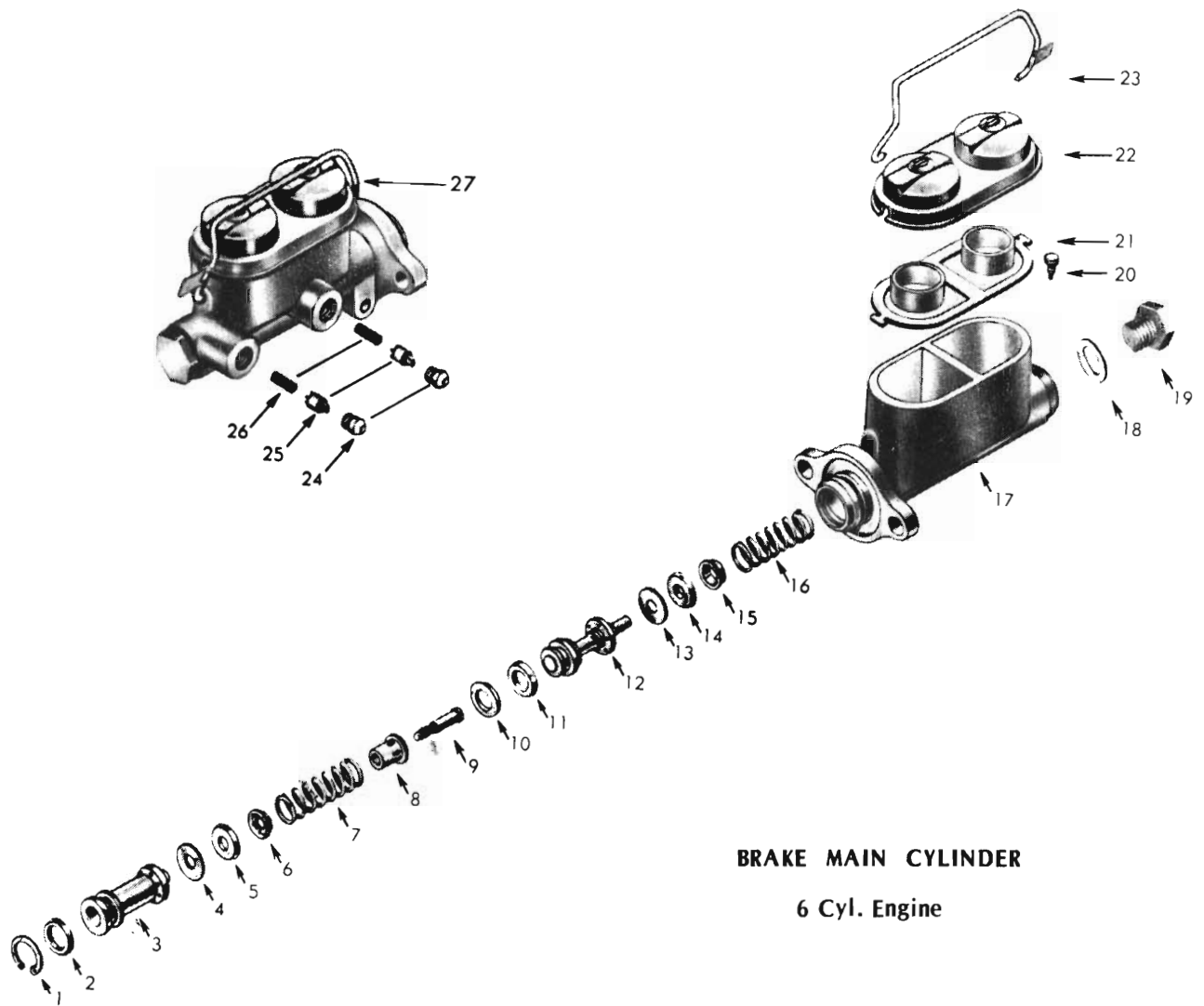
VIEW B



VIEW C

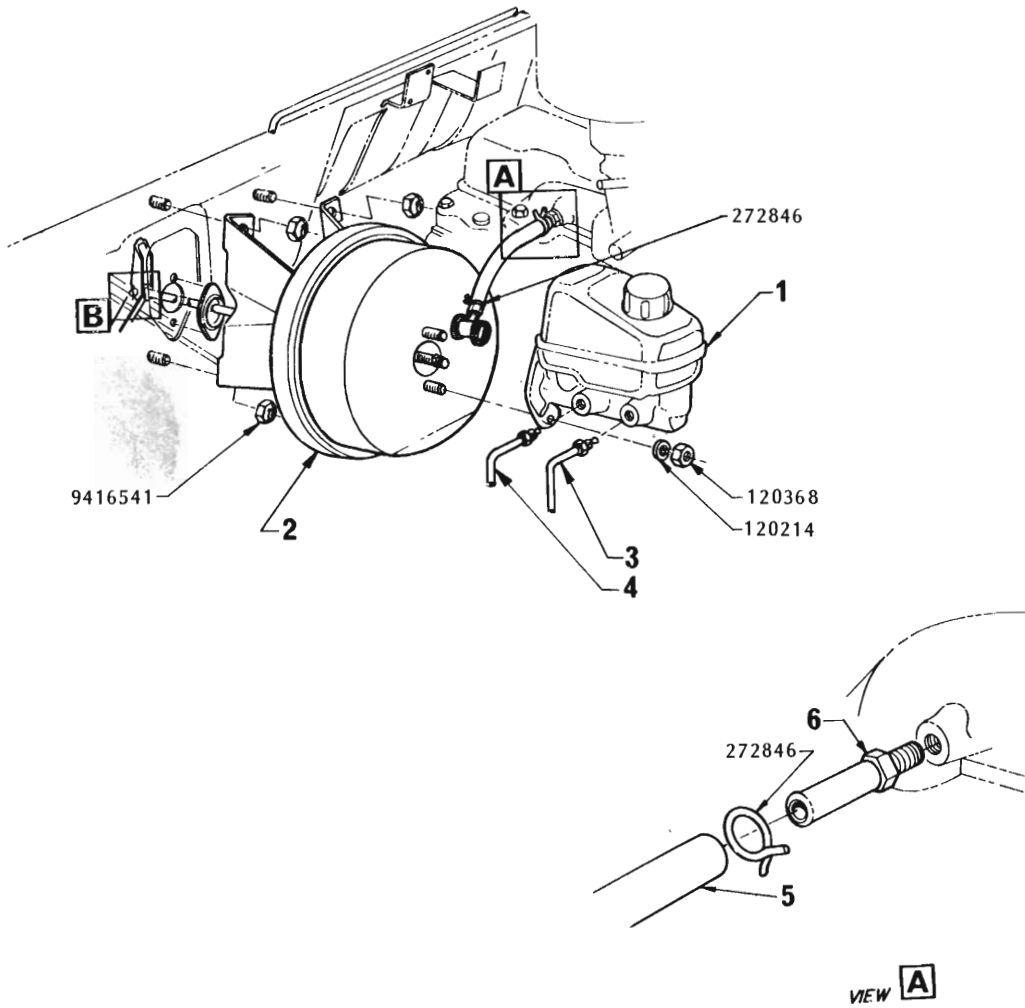
HAND BRAKE WARNING LAMP

ILLUS. REF. NO.	PART NAME	GROUP	ILLUS. REF. NO.	PART NAME	GROUP
1.	WIRE ASSY.	4.610	4.	SPRING - Switch	4.610
2.	BODY - Switch	4.610	5.	BRACKET	4.610
3.	PLUNGER - Switch	4.610			



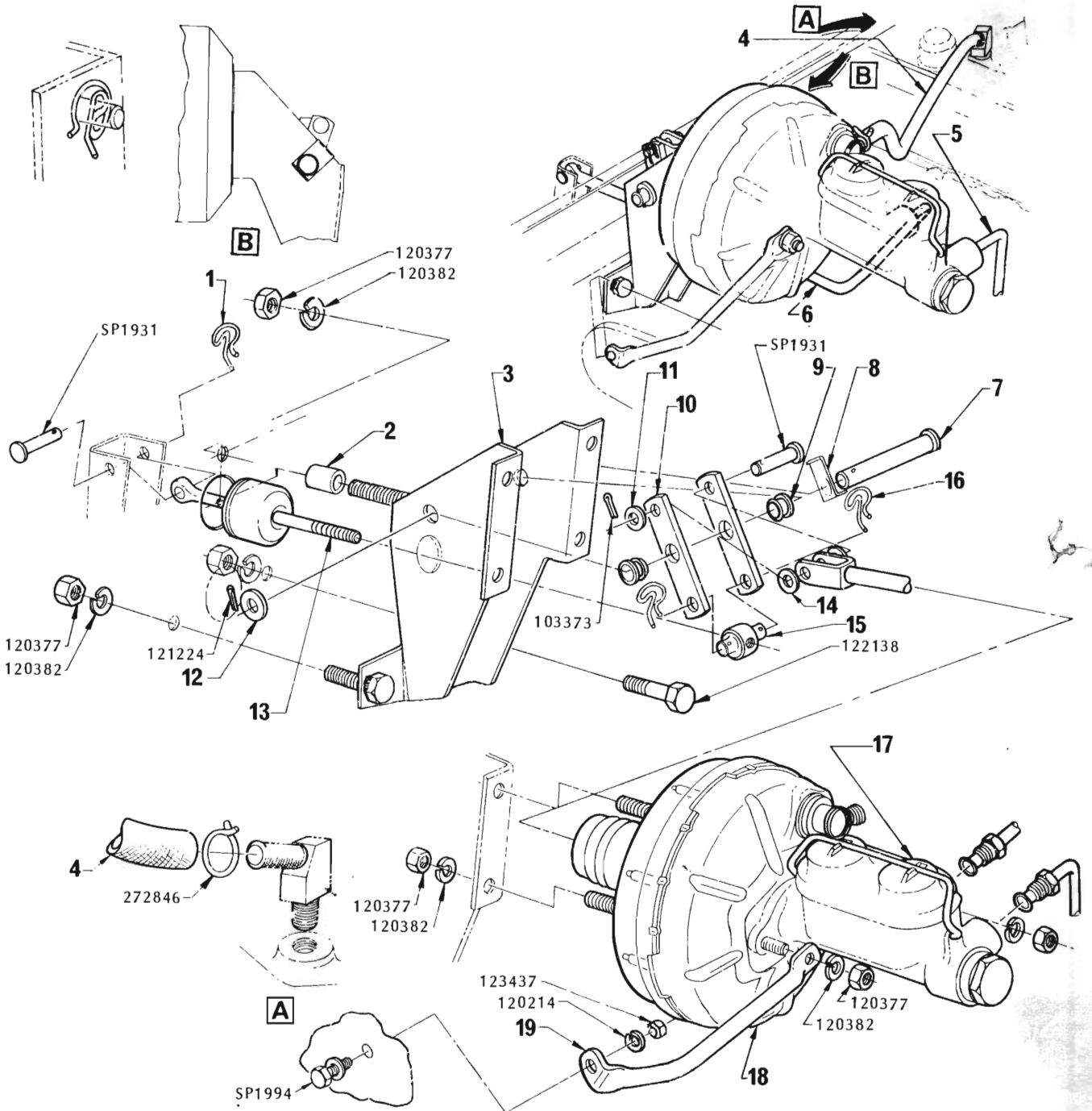
BRAKE MAIN CYLINDER
6 Cyl. Engine

ILLUS. REF. NO.	PART NAME	GROUP	ILLUS. REF. NO.	PART NAME	GROUP
1.	RING - Lock	4.656	15 }	SPRING & RETAINER - Secondary	4.655
2.	SEAL	4.654	16 }		
3.	PISTON - Primary	4.653	17.	BODY	4.650
4.	PROTECTOR	4.654	18.	WASHER - Plug	4.652
5.	SEAL	4.654	19.	PLUG	4.652
6.	RETAINER - Primary spring	4.655	20.	SCREW - Primary piston stop	4.653
7.	SPRING - Primary	4.655	21.	DIAPHRAGM - Cover	4.651
8.	STOP - Primary piston	4.653	22.	COVER	4.651
9.	SCREW - Primary piston extension	4.656	23.	BAIL - Cover	4.651
10.	SEAL	4.654	24.	INSERT - Tube fitting	4.652
11.	SEAL	4.654	25.	VALVE ASSY.	4.657
12.	PISTON - Secondary	4.653	26.	SPRING - Valve	4.657
13.	PROTECTOR	4.654	27.	CYLINDER ASSY.	4.650
14.	SEAL	4.654			



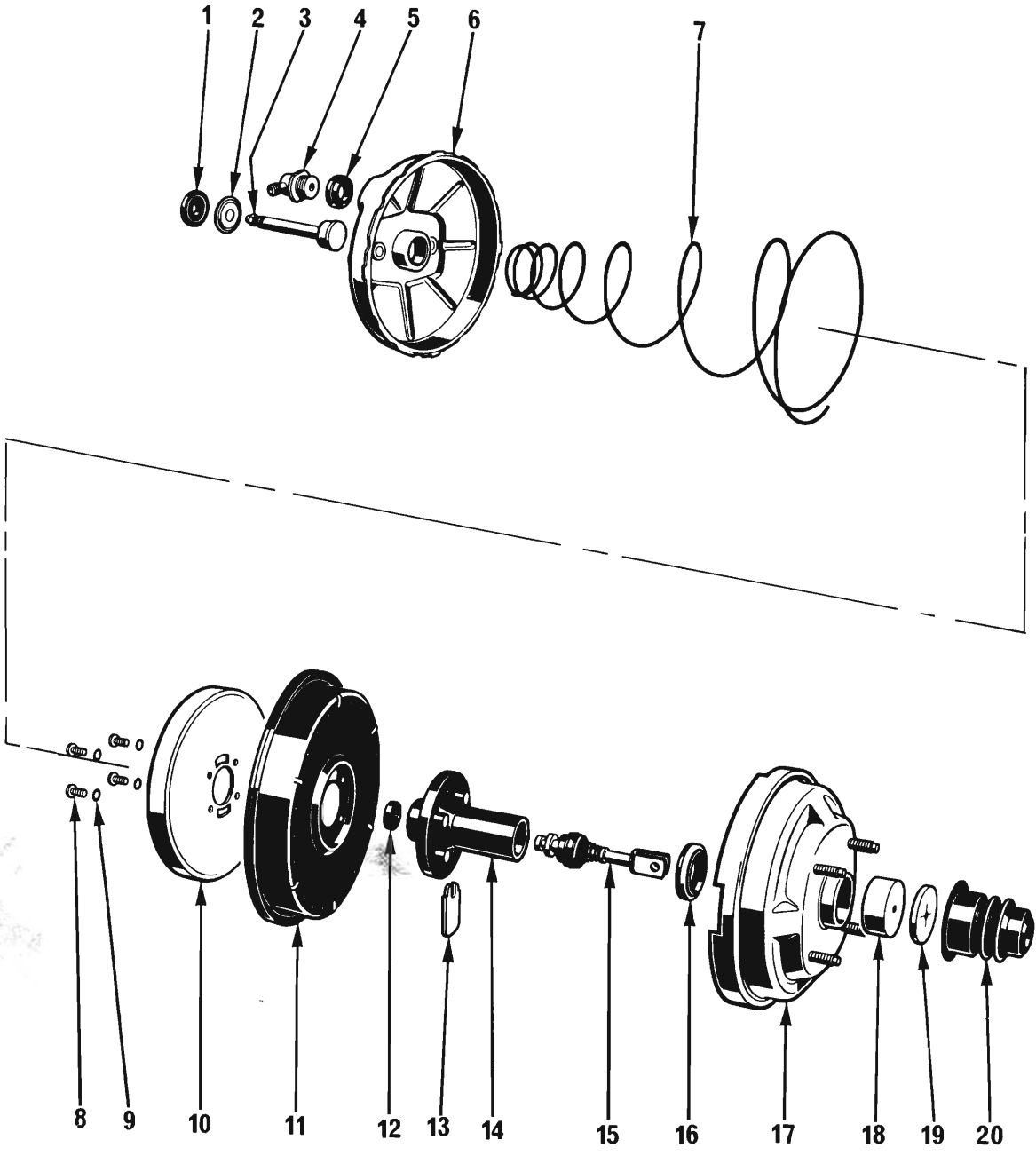
POWER BRAKE BOOSTER
4 Cyl. Engine

ILLUS. REF. NO.	PART NAME	GROUP
1.	CYLINDER ASSY. - Brake main	4.650
2.	BOOSTER ASSY. - Brake	4.902
3.	PIPE - Main cylinder to front brake con.	4.685
4.	PIPE - Main cylinder to rear brake con.	4.685
5.	HOSE - Servo to manifold	4.931
6.	CONNECTOR - Hose to manifold	4.931



BRAKE BOOSTER MOUNTING

ILLUS. REF. NO.	PART NAME	GROUP	ILLUS. REF. NO.	PART NAME	GROUP
1.	RETAINER - Rod to pedal	4.658	11.	WASHER - Relay lever	4.628
2.	SPACER - Brake booster mounting	4.901	12.	WASHER - Relay lever	4.628
3.	BRACKET ASSY. - Mounting	4.901	13.	ROD - Cylinder push	4.658
4.	HOSE - Servo to manifold	4.931	14.	WASHER - Relay lever	4.628
5.	PIPE - Main cyl. to front con.	4.685	15.	TRUNNION - Main cylinder push	4.658
6.	PIPE - Main cyl. to rear con.	4.685	16.	RETAINER - Trunnion to lever	4.658
7.	SHAFT - Booster relay	4.628	17.	CYLINDER ASSY.	4.650
8.	PLATE - Shaft lock	4.628	18.	BOOSTER ASSY.	4.902
9.	BUSHING - Relay shaft	4.628	19.	SUPPORT - Booster mounting	4.901
10.	LEVER - Booster relay	4.628			



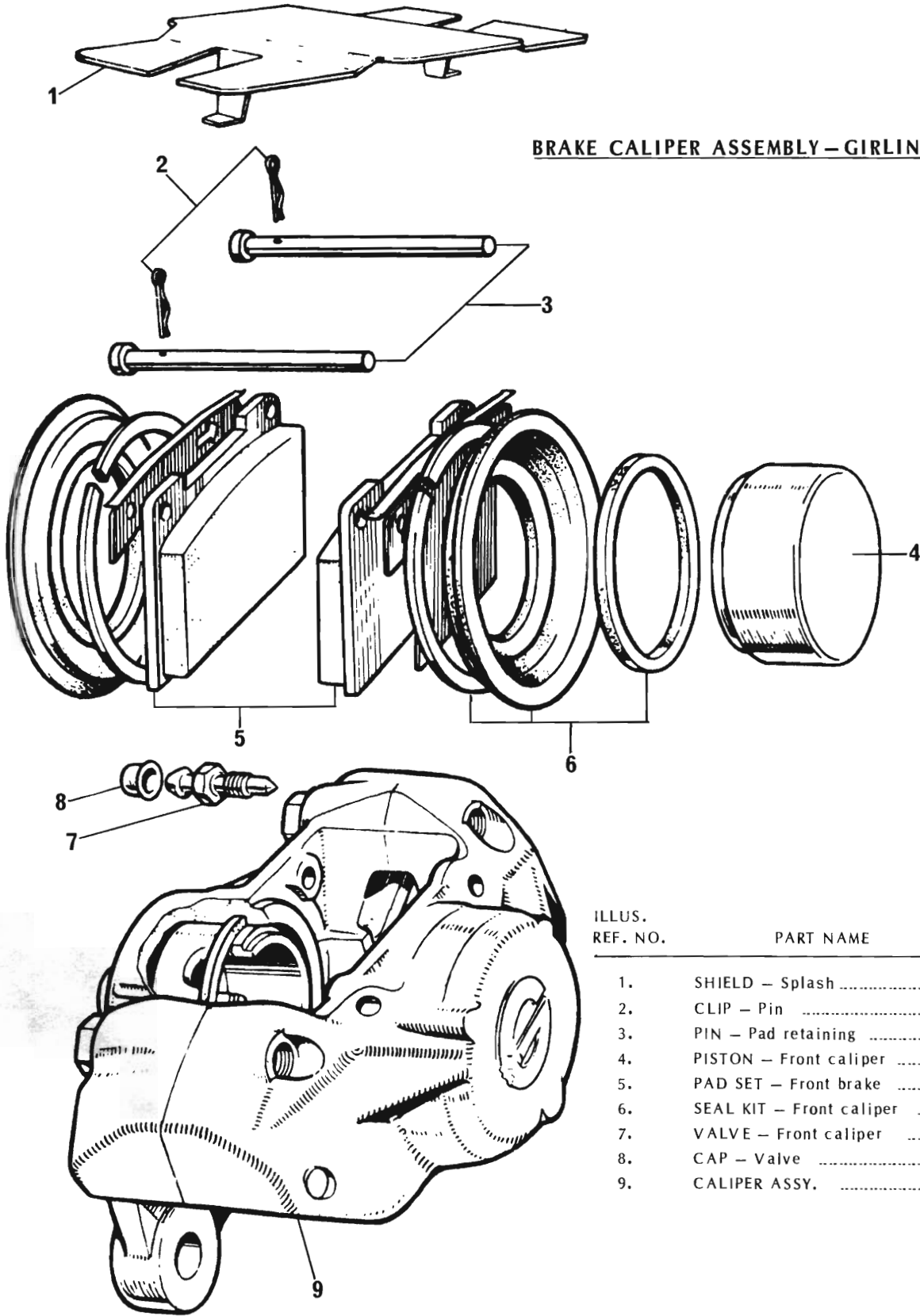
BRAKE BOOSTER
6 Cyl. Engine

ILLUSTRATION OPPOSITE

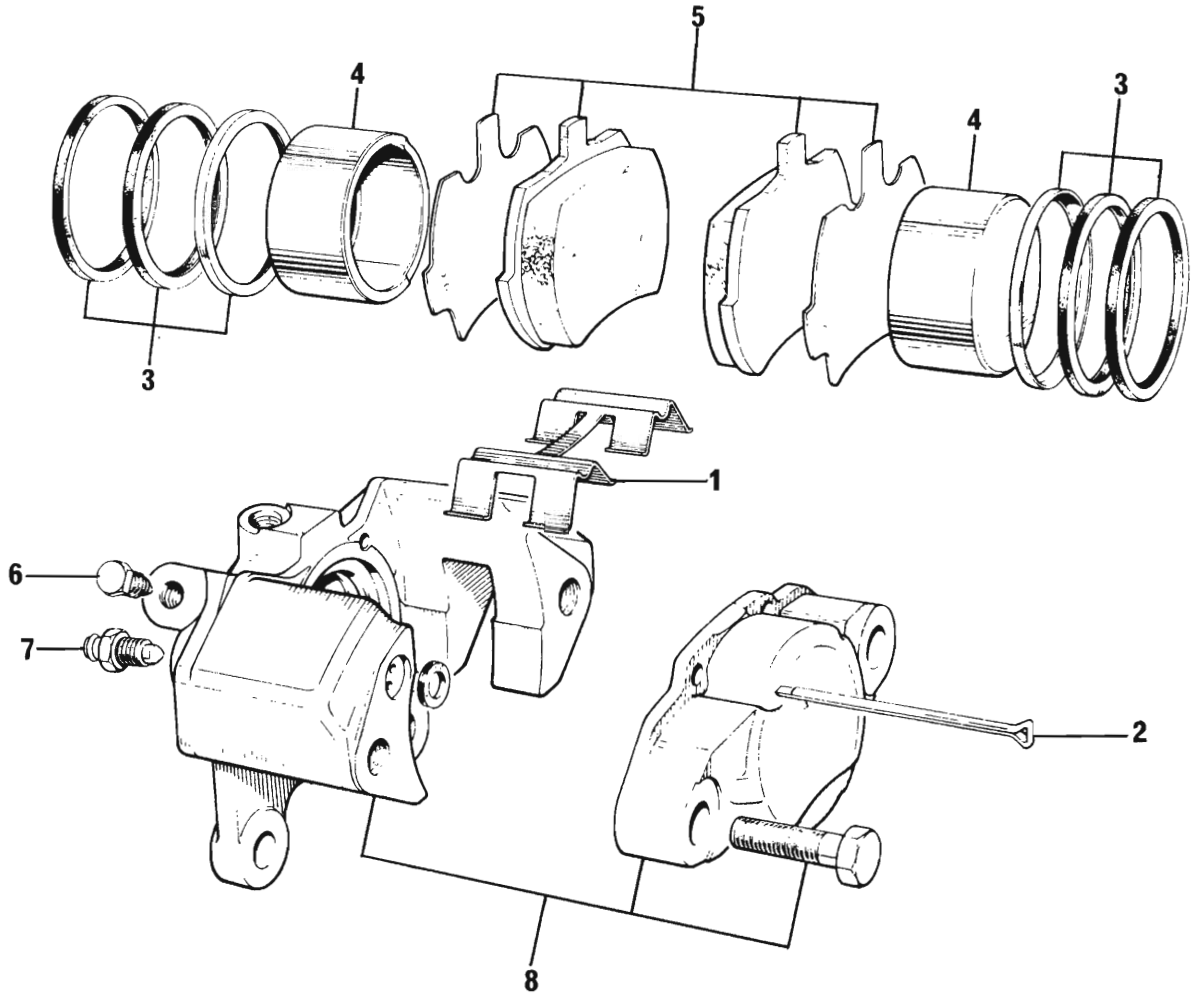
ILLUS. REF. NO.	PART NAME	GROUP
1-29.	BOOSTER - Brake vacuum servo	4.902
1.(A)	SEAL - Master cylinder push rod	4.907
2.	PLATE - Push rod seal support	4.907
3.	ROD - Master cylinder push	4.907
4.(A)	VALVE - Check	4.904
5.(A)	GROMMET - Check valve	4.904
6.	SHELL & STUDS - Front	N.S.S.
7.	SPRING - Return	4.908
8.	SCREW	N.S.S.
9.	WASHER	N.S.S.
10.	PLATE - Pressure	4.906
11.	DIAPHRAGM	4.908
12.(A)	DISC - Re-action	4.907
13.	KEY - Locking	4.907
14.	VALVE BODY	4.907
15.(A)	PLUNGER ASSY. - Valve rod	4.907
16.(A)	SEAL - Rear shell	4.908
17.	SHELL & STUDS - Rear	N.S.S.
18.(A)	FILTER - Air cleaner	4.903
19. A	WASHER - Plunger felt	4.907
20.(A)	BOOT - Plunger	4.907

NOTE: (A) Parts included in Repair Kit - Refer Group 4.902

BRAKE CALIPER ASSEMBLY - GIRLING

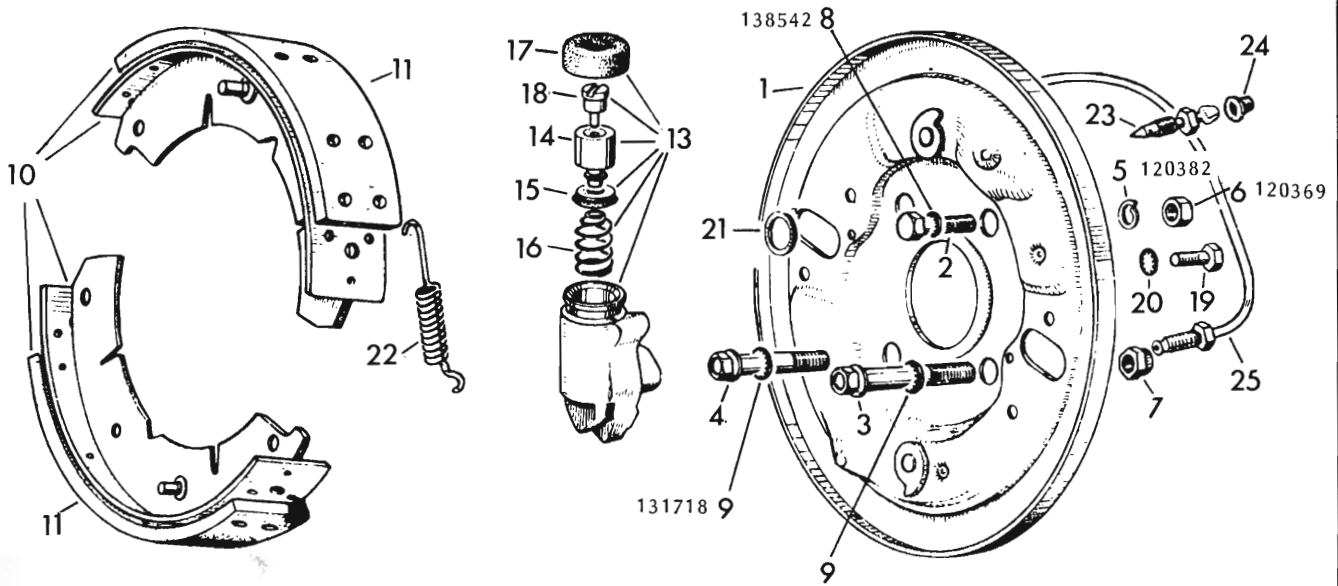


ILLUS. REF. NO.	PART NAME	GROUP
1.	SHIELD - Splash	5.011
2.	CLIP - Pin	5.020
3.	PIN - Pad retaining	5.020
4.	PISTON - Front caliper	4.668
5.	PAD SET - Front brake	5.018
6.	SEAL KIT - Front caliper	4.667
7.	VALVE - Front caliper	4.666
8.	CAP - Valve	4.666
9.	CALIPER ASSY.	5.010



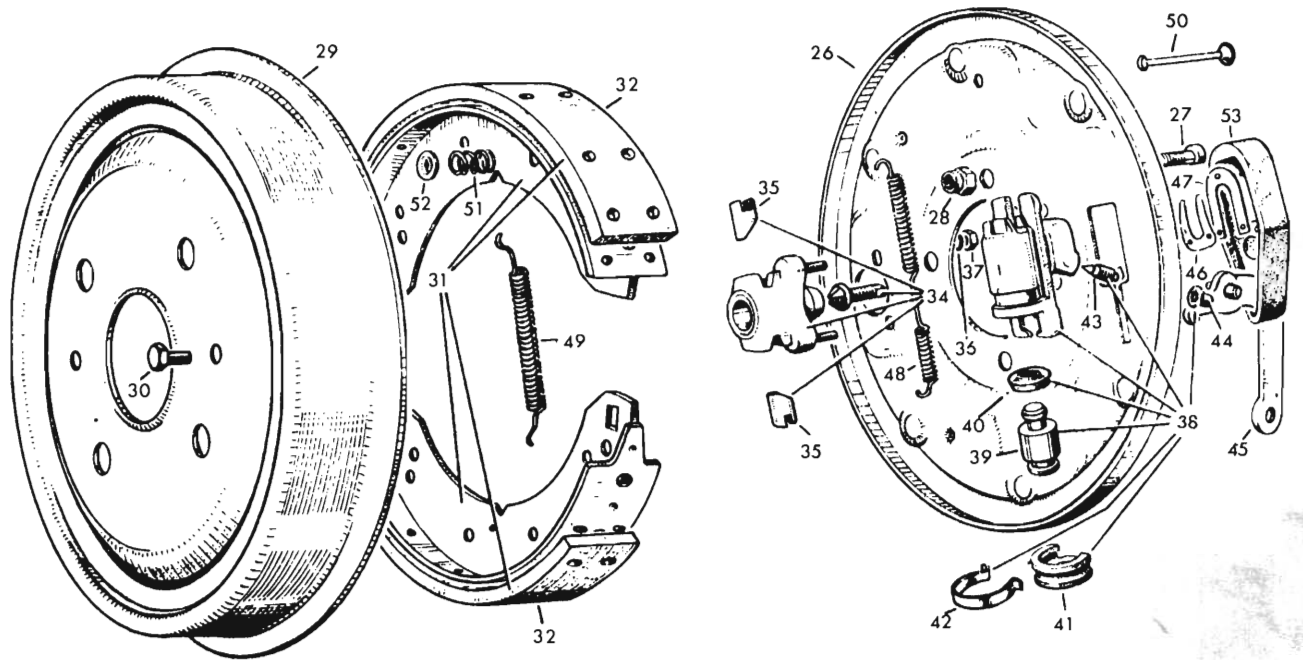
BRAKE CALIPER ASSEMBLY - LOCKHEED

ILLUS. REF. NO.	PART_NAME	GROUP
1.	SHIELD - Splash	5.011
2.	PIN - Pad retaining	5.020
3.	SEAL KIT - Front caliper	4.667
4.	PISTON - Front caliper	4.668
5.	PAD SET - Front brake	5.018
6.	PLUG - Bleed	4.666
7.	VALVE - Front caliper	4.666
8.	CALIPER ASSEMBLY	5.010



FRONT BRAKES
(Girling)
4 Cyl. Engine

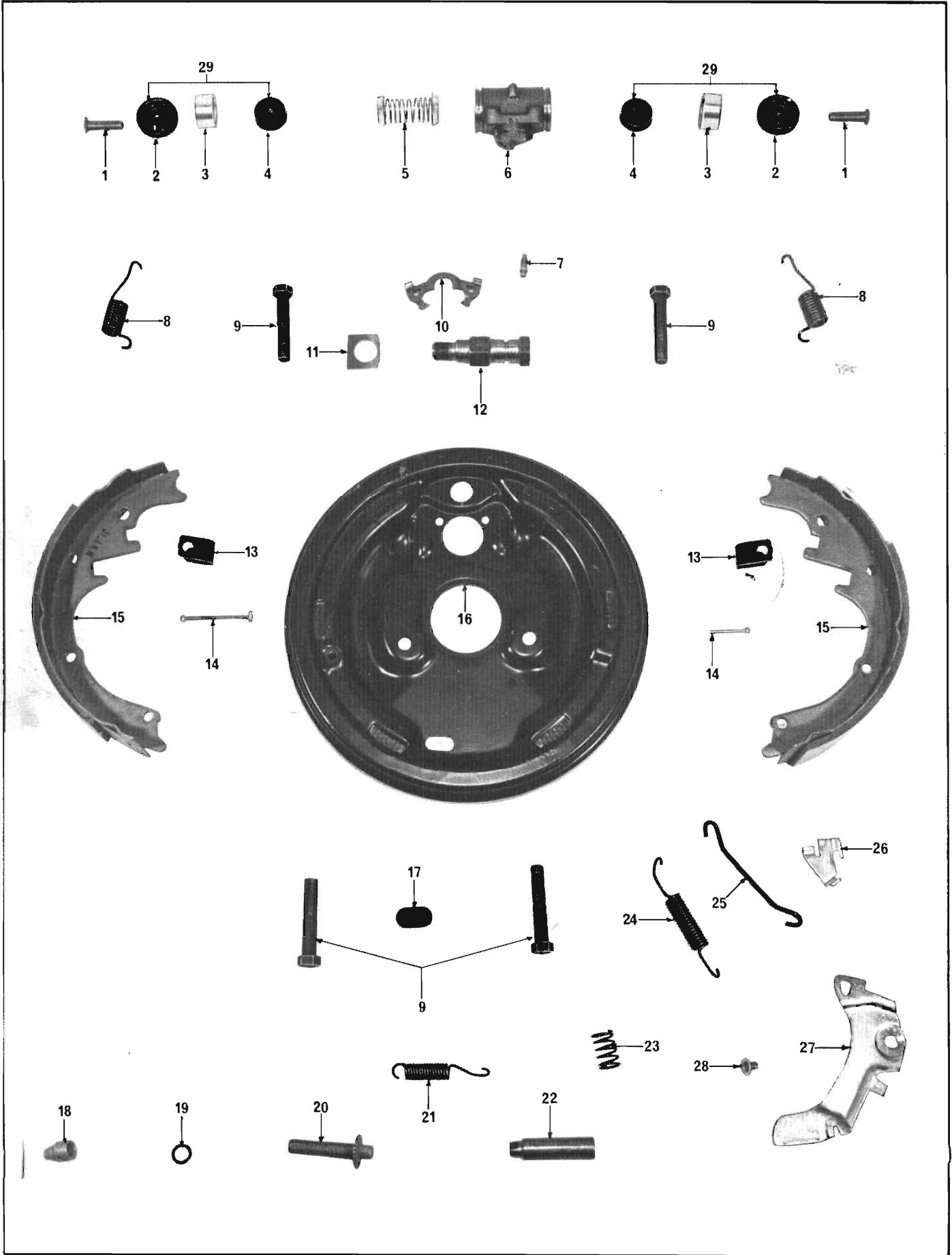
ILLUS. REF. NO.	PART NAME	GROUP	ILLUS. REF. NO.	PART NAME	GROUP	ILLUS. REF. NO.	PART NAME	GROUP
1.	PLATE	5.001	9.	WASHER	8.932	18.	INSERT - Piston ..	4.670
2.	BOLT - Plate	5.002	10.	SHOE & LINING	5.017	19.	SCREW	4.665
3.	BOLT - Plate	5.002	11.	LINING SET	5.018	20.	WASHER	4.665
4.	BOLT - Plate	5.002	13.	CYLINDER ASSY.	4.665	21.	RING - Sealing	4.665
5.	WASHER	8.931	14.	PISTON	4.668	22.	SPRING	5.026
6.	NUT	8.915	15.	CUP	4.667	23.	VALVE - Bleeder..	4.666
7.	NUT	5.002	16.	SPRING	4.669	24.	EXCLUDER	4.666
8.	WASHER	8.932	17.	BOOT - Dust	4.670	25.	PIPE ASSY.	4.685



REAR BRAKES
(Girling)
4 Cyl. Engine

REF. NO.	PART NAME	GROUP	REF. NO.	PART NAME	GROUP	REF. NO.	PART NAME	GROUP
26.	PLATE	5.001	36.	WASHER	5.110	45.	LEVER	5.149
27.	BOLT - Plate	5.002	37.	NUT	5.111	46.	PLATE - Spring	4.665
28.	NUT	5.002	38.	CYLINDER ASSY.	4.665	47.	PLATE - Anchor	4.665
29.	DRUM	5.809	39.	PISTON	4.668	48.	SPRING	5.026
30.	BOLT	5.420	40.	CUP	4.667	49.	SPRING	5.107
31.	SHOE & Lining	5.017	41.	BOOT - Dust	4.670	50.	PIN	5.041
32.	LINING SET	5.018	42.	CLIP	4.670	51.	SPRING	5.043
34.	ADJUSTER ASSY.	5.103	43.	VALVE - Bleeder	4.666	52.	WASHER	5.043
35.	TAPPET	5.111	44.	EXCLUDER	4.666	53.	COVER	4.674

HOLDEN "LJ" PARTS CATALOGUE

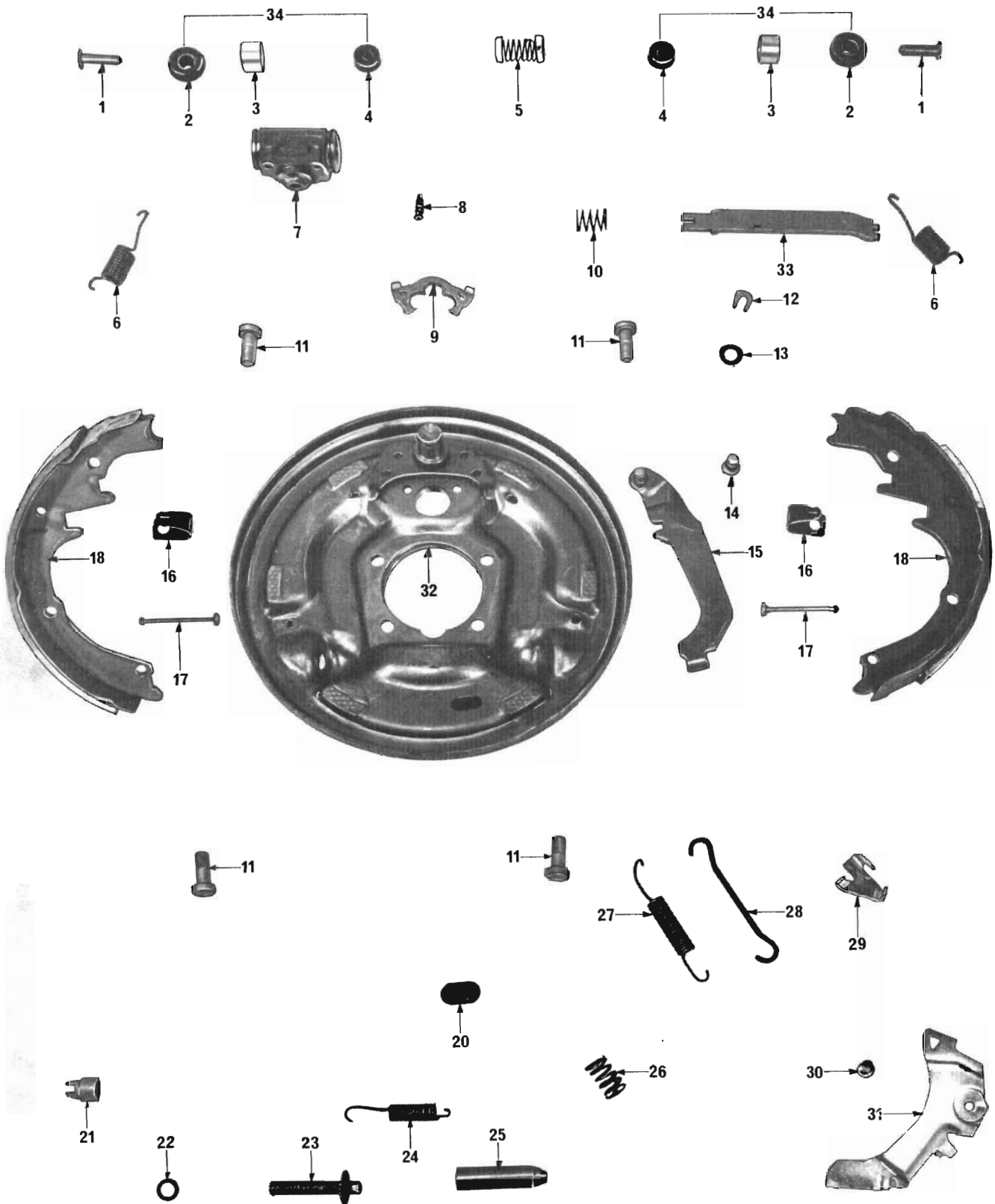


**FRONT BRAKES
DUO-SERVO SELF ADJUSTING
6 Cylinder Engine**

ILLUSTRATION OPPOSITE

ILLUS. REF. NO.	PART NAME	GROUP
1.	LINK - Connecting	4.675
2.	BOOT - Wheel cylinder	4.670
3.	PISTON - Wheel cylinder	4.668
4.	CUP - Wheel cylinder	4.667
5.	SPRING - Wheel cylinder	4.669
6.	BODY - Wheel cylinder	4.665
7.	VALVE - Bleeder	4.666
8.	SPRING - Retractor	5.026
9.	BOLT - Backing plate	8.900
10.	PLATE - Guide	5.045
11.	PLATE - Backing plate bolt lock	5.002
12.	PIN - Anchor	5.055
13.	SPRING - Hold down pin	5.043
14.	PIN - Shoe hold down	5.041
15.	SHOE and LINING	5.017
16.	PLATE - Backing	5.001
17.	COVER - Adjusting hole	5.188
18.	PLUG - Adjusting	5.111
19.	WASHER - Adjusting screw	5.110
20.	SCREW - Adjusting	5.110
21.	SPRING - Adjusting nut	5.026
22.	NUT - Adjusting	5.111
23.	SPRING - Adjuster return	5.107
24.	SPRING - Adjuster overload	5.107
25.	LINK	5.105
26.	PLATE - Lever pivot	5.103
27.	LEVER	5.103
28.	BUSHING	5.103
29.	REPAIR KIT	4.665

HOLDEN "LJ" PARTS CATALOGUE

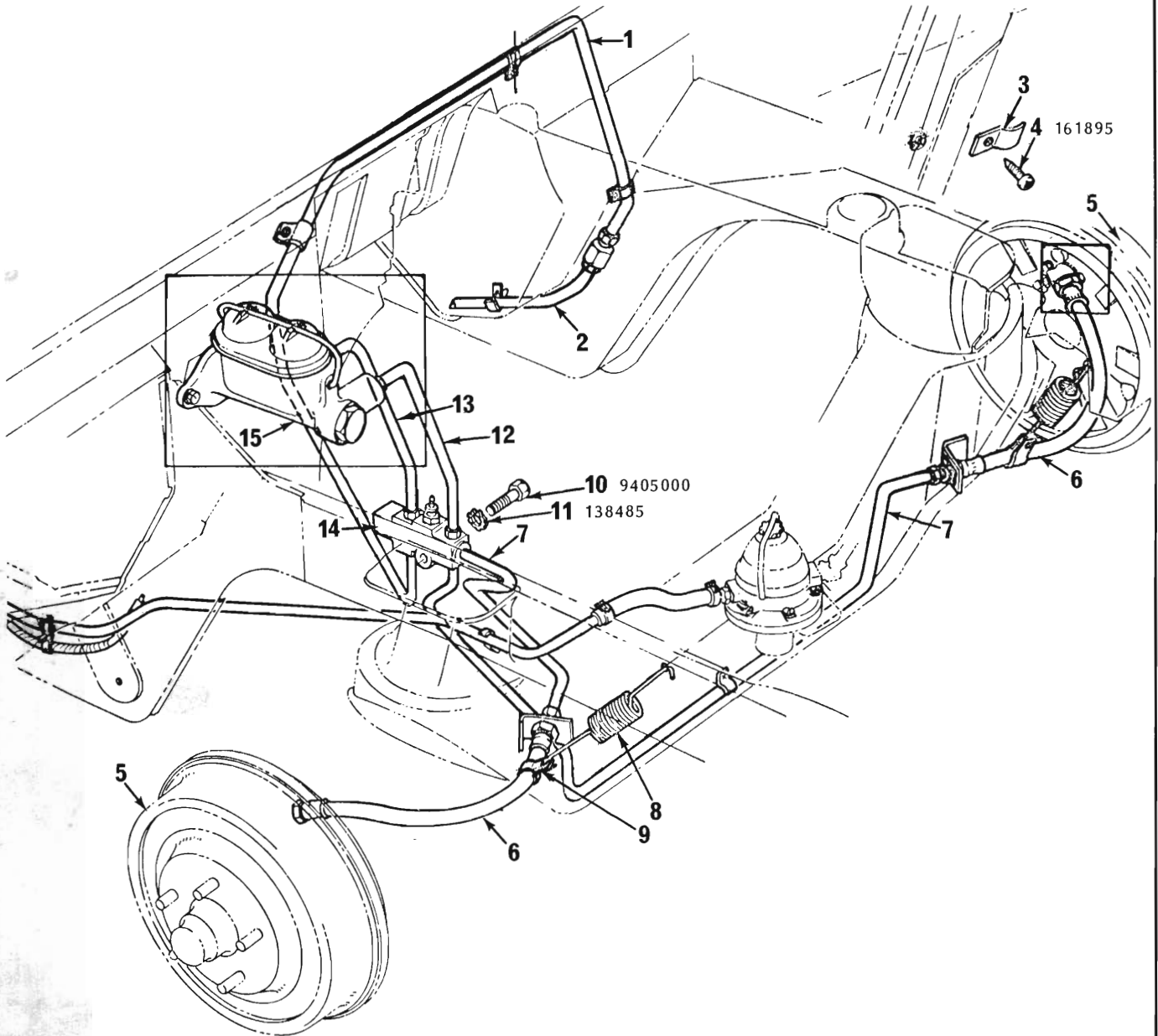


REAR BRAKES

ILLUSTRATION OPPOSITE

ILLUS. REF. NO.	PART NAME	GROUP
1.	LINK - Wheel cylinder connecting	4.675
2.(A)	BOOT - Wheel cylinder	4.670
3.	PISTON - Wheel cylinder	4.668
4.(A)	CUP - Wheel cylinder	4.667
5.	SPRING - Wheel cylinder	4.669
6.	SPRING - Brake shoe retractor	5.026
7.	BODY - Wheel cylinder	4.665
8.	VALVE - Bleeder	4.666
9.	PLATE - Shoe guide	5.045
10.	SPRING - Parking lever strut	5.151
11.	BOLT - Plate to axle	5.002
12.	CLIP - Parking lever retainer	5.158
13.	WASHER - Parking lever to secondary shoe	5.158
14.	PIN - Parking lever	5.158
15.	LEVER - Parking brake actuating	5.149
16.	SPRING - Shoe hold down pin	5.043
17.	PIN - Shoe hold down	5.041
18.	SHOE & LINING - Primary, secondary	5.017
19.	LINING SET	5.018
20.	COVER - Adjusting hole	5.188
21.	PLUG - Adjusting screw	5.111
22.	WASHER - Adjusting screw	5.110
23.	SCREW - Adjusting	5.110
24.	SPRING - Adjusting nut	5.026
25.	NUT - Adjusting	5.111
26.	SPRING - Adjuster - return	5.107
27.	SPRING - Adjuster - overload	5.107
28.	LINK - Adjuster	5.105
29.	PLATE - Adjuster lever	5.103
30.	BUSHING - Adjuster	5.103
31.	LEVER - Adjuster	5.103
32.	PLATE ASSY. - Backing	5.001
33.	STRUT - Adjusting lever	5.150
34.	REPAIR KIT	4.665

NOTE: (A) Parts included in Repair Kit. Illus. Ref. No. 34



BRAKE DRUMS, HOSES and PIPES

6 Cylinder Engine

ILLUS. REF. NO.	PART NAME	GROUP	ILLUS. REF. NO.	PART NAME	GROUP
1.	PIPE Connector to rear brake connector	4.685	9.	CLIP - Brake hose	4.681
2.	PIPE - Connector to rear brake hose	4.685	10.	SCREW	8.977
3.	CLIP - Pipe to dash panel	4.685	11.	WASHER	8.932
4.	SCREW	8.977	12.	PIPE - Main cyl. to front brake connector	4.685
5.	DRUM	5.809	13.	PIPE - Main cyl. to rear brake connector	4.685
6.	HOSE - Front	4.680	14.	CONNECTOR & SWITCH	4.686
7.	PIPE - Connector to front brake	4.685	15.	CYLINDER	4.650
8.	SPRING - Hose retainer	4.681			

HOLDEN "LJ" PARTS CATALOGUE

GROUP	DESCRIPTION	MODEL	SIDE	PART No.	QTY.
4.591	LEVER – Hand brake				
	LEVER ASSY.	Bucket Seat	8813844	2812019	1
	LEVER ASSY.	Bench Seat		2812866	1
	BRACKET – Lever mounting, upper	Bench Seat		2812870	1
	PLATE – Lever mounting upper bracket	Bench Seat		7423657	1
	STUD – Upper mounting bracket	Bench Seat		SP2017	1
	NUT – Upper mounting bracket	Bench Seat		SP2019	1
	BRACKET ASSY. – Lever mounting	Bench Seat		2812854	1
	PIN – Lever	Bench Seat		SP2053	1
4.595	PAWL, SPRING – Hand brake ratchet				
	PAWL	Bench Seat		7415746	2
	SPRING – Pawl	Bench Seat		516228	2
4.596	LEVER, SPRING, BRACKET – Hand brake				
	LEVER	Bench Seat		2812858	1
	SPRING – Lever return	Bench Seat		2812861	1
	BRACKET – Spring anchor	Bench Seat		2812862	1
	BRACKET – Pull rod pivot	Bench Seat		2812859	1
	PIN – Spring $\frac{5}{32}$ " x $1\frac{1}{8}$ "	Bench Seat		9422863	1
4.597	SPRING – Hand brake pull rod				
	SPRING	Bench Seat		2812860	1
4.608	GAITER – Hand brake lever				
	GAITER ASSY. – Antique Gold (Early type)	Bucket Seat		2810933BB	1
	GAITER ASSY. – Turquoise Mist (Early type)	Bucket Seat		2810933BD	1
	GAITER ASSY. – Twilight Blue (Early type)	Bucket Seat		2810933BE	1
	GAITER ASSY. – Sandalwood (Early type)	Bucket Seat		2810933BG	1
	GAITER ASSY. – Black (Late type)	Bucket Seat		9931389CY	1
	SLEEVE – Gaiter to lever	Bucket Seat		7152862	1
4.610	BRACKET, BODY, SPRING, PLUNGER – Hand brake warning lamp				
	BRACKET	Bucket Seat		2812327	1
	BODY – Switch	ALL		2807323	1
	SPRING – Switch	ALL		2807324	1
	PLUNGER – Switch	ALL		2807325	1
	SOCKET ASSY. – Bulb	311, 369	LEFT HAND DRIVE	2973932	1
	BULB – 12-16 volt 2 c.p.		RIGHT HAND DRIVE	9421330	1
	BULB – 12-16 volt 2 c.p. (Warning lamps)		LEFT HAND DRIVE	9421330	1
	BULB – 12-16 volt 2 c.p. (Gauges)		LEFT HAND DRIVE	9417863	1
	WIRE ASSY.	Bucket Seat		2822891	1
	CLIP	Bench Seat		7426417	1
	HAND BRAKE WARNING LAMP PKG.		RIGHT HAND DRIVE	2822728	1
			LEFT HAND DRIVE	2811629	1
4.625	PEDAL, PAD, BUMPER – Brake				
	PEDAL	(M) 4 Cyl. Eng.		7186388	1
	PAD – Pedal	(M) 4 Cyl. Eng.		7202191	1
	PEDAL ASSY.	(A) 4 Cyl. Eng.		2811019	1
	PAD – Pedal	(A) 4 Cyl. Eng.		7433702	1
	PEDAL ASSY.	(M) 6 Cyl. Eng.	RIGHT HAND DRIVE	2806051	1
	PAD – Pedal	(M) 6 Cyl. Eng.	RIGHT HAND DRIVE	7202191	1
	PEDAL ASSY.	(A) 6 Cyl. Eng.	RIGHT HAND DRIVE	2810312	1
	PAD – Pedal	(A) 6 Cyl. Eng.	RIGHT HAND DRIVE	2810999	1
	PAD – Pedal	(M)	LEFT HAND DRIVE	2811586	1
	PEDAL ASSY.	(A)	LEFT HAND DRIVE	2812699	1
	PAD – Pedal	(A)	LEFT HAND DRIVE	7433702	1
	BUMPER – Pedal	6 Cyl. Eng. Drum exc. Power Brakes		7431380	1

HOLDEN "LJ" PARTS CATALOGUE

GROUP	DESCRIPTION	MODEL	SIDE	PART No.	QTY.
4.626	BUSHING – Brake pedal				
	BUSHING	4 Cyl. Eng.		6368033	2
	BUSHING	6 Cyl. Eng.		3798256	2
4.627	BRACKET and SHAFT – Brake pedal				
	BRACKET and SHAFT ASSY.	4 Cyl. Eng.		7448468	1
	GASKET – Support to dash panel	4 Cyl. Eng.		7192224	1
	BRACKET ASSY.	6 Cyl. Eng.	RIGHT HAND DRIVE	2823117	1
			LEFT HAND DRIVE	2810114	1
4.628	SHAFT, PLATE, LEVER – Brake booster relay				
	SHAFT	6 Cyl. Eng. Disc, Power Brakes		2806063	1
	PLATE – Shaft lock	6 Cyl. Eng. Disc, Power Brakes		2806068	1
	LEVER	6 Cyl. Eng. Disc, Power Brakes		2819903	2
	WASHER – Relay lever	6 Cyl. Eng. Disc, Power Brakes		7411849	2
	WASHER – Relay lever	6 Cyl. Eng. Disc, Power Brakes		7409936	1
	BUSHING – Relay shaft	6 Cyl. Eng. Disc, Power Brakes		6368033	2
	RETAINER – Levers to booster	6 Cyl. Eng. Disc, Power Brakes		3749084	1
4.636	SPACER, PIN – Brake pedal shaft				
	SPACER	4 Cyl. Eng.		7216192	1
	PIN – Retaining	4 Cyl. Eng.		7186506	1
	RETAINER	6 Cyl. Eng.		7411804	1
	WASHER – Retainer	(A) 6 Cyl. Eng.	RIGHT HAND DRIVE	7409936	1
4.639	SPRING – Brake pedal return				
	SPRING	4 Cyl. Eng.		7186454	1
	SPRING	6 Cyl. Eng.		2811439	1
4.649	REPAIR KIT – Brake main cylinder				
	REPAIR KIT	4 Cyl. Eng. Drum Brakes		VS10960	1
	REPAIR KIT	4 Cyl. Eng. Disc Brakes		VS10953	1
	REPAIR KIT	6 Cyl. Eng.		2824362	1
4.650	CYLINDER – Brake main				
	CYLINDER ASSY.	4 Cyl. Eng. Drum Brakes		8810174	1
	CYLINDER ASSY.	4 Cyl. Eng. Disc Brakes		7449856	1
	RESERVOIR	4 Cyl. Eng. Disc Brakes		M36900	1
	CYLINDER ASSY.	6 Cyl. Eng. Drum Brakes			
			RIGHT HAND DRIVE	2814004	1
			LEFT HAND DRIVE	2820293	1
	CYLINDER ASSY.	6 Cyl. Eng. Disc Brakes		2811647	1
	BODY ASSY.	6 Cyl. Eng. Drum Brakes			
			RIGHT HAND DRIVE	2811648	1
	BODY ASSY.	6 Cyl. Eng. Disc Brakes		2811649	1
4.651	COVER, DIAPHRAGM, BAIL – Brake main cylinder				
	CAP – Filler	4 Cyl. Eng.		M37000	1
	GASKET – Filler cap	4 Cyl. Eng.		6361339	1
	COVER	6 Cyl. Eng.	RIGHT HAND DRIVE	2811650	1
	COVER		LEFT HAND DRIVE	5452320	1
	DIAPHRAGM – Cover	6 Cyl. Eng.	RIGHT HAND DRIVE	2811651	1
	DIAPHRAGM – Cover		LEFT HAND DRIVE	5452319	1
	BAIL – Cover	6 Cyl. Eng.		2823803	1
	SEAL – Reservoir to body	4 Cyl. Eng.		VS10955	1
	SCREW – Reservoir to body	4 Cyl. Eng.		VS10956	2
	WASHER – Reservoir to body	4 Cyl. Eng.		VS10957	2
4.652	INSERT, PLUG, WASHER – Brake main cylinder				
	INSERT – Tube fitting	6 Cyl. Eng.		5452322	2
	PLUG	6 Cyl. Eng.		7433139	1
	WASHER – Plug	6 Cyl. Eng.		7433162	1

HOLDEN "LJ" PARTS CATALOGUE

GROUP	DESCRIPTION	MODEL	SIDE	PART No.	QTY.
4.653	PISTON – Brake main cylinder				
	PISTON – Primary	6 Cyl. Eng.		2820248	1
	PISTON – Secondary	6 Cyl. Eng.		7434961	1
	STOP – Primary piston	6 Cyl. Eng.		5452315	1
	SCREW – Secondary piston stop	6 Cyl. Eng.		5464418	1
4.654	SEAL, PROTECTOR – Brake main cylinder piston				
	SEAL – Gland	4 Cyl. Eng. Drum Brakes		8856567	1
	SEAL – Gland	4 Cyl. Eng. Disc Brakes		7206609	1
	SEAL – Two way ring	4 Cyl. Eng. Drum Brakes		VS10962	1
	SEAL – Two way ring	4 Cyl. Eng. Disc Brakes		VS10950	1
	SEAL – Valve	4 Cyl. Eng.		6361331	1
	WASHER – Spring	4 Cyl. Eng.		VS10952	1
	SEAL	6 Cyl. Eng.		5453620	2
	SEAL	6 Cyl. Eng.		5460195	3
	PROTECTOR	6 Cyl. Eng.		5462635	2
4.655	SPRING, RETAINER – Brake main cylinder piston				
	SPRING & RETAINER ASSY. – Secondary	6 Cyl. Eng.		2819950	1
	SPRING – Primary	6 Cyl. Eng.		5452520	1
	RETAINER – Primary spring	6 Cyl. Eng.		5464424	1
4.656	CIRCLIP, RING, SCREW – Brake main cylinder				
	CIRCLIP	4 Cyl. Eng. Drum Brakes		6361334	1
	RING – Lock	6 Cyl. Eng.		5467356	1
	SCREW – Primary piston extension	6 Cyl. Eng.		5452519	1
4.657	VALVE, SPRING – Brake main cylinder check				
	VALVE ASSY. – Tipping	4 Cyl. Eng.		VS10954	1
	VALVE ASSY.	6 Cyl. Eng.		5462642	2-1
	SPRING – Valve	6 Cyl. Eng.		5462637	2-1
4.658	ROD – Brake main cylinder push				
	ROD	4 Cyl. Eng.		8819074	1
	ROD	6 Cyl. Eng. Drum exc. Power Brakes			
		RIGHT HAND DRIVE		2820720	1
		LEFT HAND DRIVE		2820730	1
	ROD	6 Cyl. Eng. Disc, Power Brakes		2806059	1
	TRUNNION	6 Cyl. Eng. Disc, Power Brakes		2806067	1
	RETAINER – Trunnion to lever	6 Cyl. Eng. Disc, Power Brakes		2820067	2
	RETAINER – Rod to pedal	6 Cyl. Eng. Disc, Power Brakes		3749084	1
4.659	BOOT – Brake main cylinder push rod				
	BOOT	6 Cyl. Eng. Drum exc. Power Brakes		7433213	1
	BOOT	6 Cyl. Eng. Disc, Power Brakes		2806064	1
4.661	UNION, BOLT, GASKET, – Brake main cylinder				
	UNION – Banjo – Front brakes	Drum BrakesLEFT HAND DRIVE		2812983	1
	UNION – Banjo – Rear brakes	Drum BrakesLEFT HAND DRIVE		2812985	1
	BOLT – Banjo	Drum BrakesLEFT HAND DRIVE		7435803	2
	GASKET – Banjo bolt	Drum BrakesLEFT HAND DRIVE		7435802	4
4.662	BEARING, CLEVIS – Brake main cylinder rod end				
	BEARING	4 Cyl. Eng.		6375767	2
	PIN – Clevis, 3/16"	4 Cyl. Eng.		6375766	1
	CLEVIS	6 Cyl. Eng. Drum exc. Power Brakes			
		RIGHT HAND DRIVE		2806973	1
	WASHER – Brake pedal to yoke	6 Cyl. Eng. Drum exc. Power Brakes		7411849	1
	CLEVIS	Drum exc. Power Brakes			
		LEFT HAND DRIVE		7415761	1
	PIN – Clevis .375" x .92"	Drum exc. Power Brakes			
		LEFT HAND DRIVE		SP1825	1

HOLDEN "LJ" PARTS CATALOGUE

GROUP	DESCRIPTION	MODEL	SIDE	PART No.	QTY.
4.665	CYLINDER, BODY, REPAIR KIT – Wheel brake				
	CYLINDER ASSY. – Front(Girling)	4 Cyl. Eng. Drum Brakes	LH	6397841	2
			RH	6397840	2
	CYLINDER ASSY. – Front(Lockheed)	4 Cyl. Eng. Drum Brakes	LH	2690007 91023207	2
			RH	2690006 91023206	2
	CYLINDER ASSY. – Front	6 Cyl. Eng. Drum Brakes	LH	7438308	1
			RH	7438309	1
	CYLINDER ASSY. – Rear(Girling)	4 Cyl. Eng.		6397977 M35045	2
	PLATE – Spring(Girling)	4 Cyl. Eng.		6397983	2
	PLATE – Anchor(Girling)	4 Cyl. Eng.		6397984	2
	CYLINDER ASSY.(Lockheed)	4 Cyl. Eng.	LH	2680851	1
			RH	2680850	1
	CLIP – Spring(Lockheed)	4 Cyl. Eng.		6361096	2
	GASKET – Cylinder to plate(Lockheed)	4 Cyl. Eng.	N.L.A.	2680852	2
	CYLINDER ASSY. – Rear	6 Cyl. Eng. Drum Brakes		7420771	2
	CYLINDER ASSY. – Rear	6 Cyl. Eng. Disc Brakes		7412419	2
	BODY – Front	6 Cyl. Eng. Drum Brakes	LH	7438090	1
			RH	7438089	1
	BODY – Rear	6 Cyl. Eng. Drum Brakes		7420714	2
	BODY – Rear	6 Cyl. Eng. Disc Brakes		7412418	2
	SCREW – Front cylinder fixing(Girling)	4 Cyl. Eng. Drum Brakes		6397843	8
	RING – Front cylinder sealing(Girling)	4 Cyl. Eng. Drum Brakes		6361210	4
	REPAIR KIT – Front(Girling)	4 Cyl. Eng. Drum Brakes		6397846	1
	REPAIR KIT – Rear(Girling)	4 Cyl. Eng.		8856568	1
	SCREW – Front cylinder fixing(Lockheed)	4 Cyl. Eng. Drum Brakes		6314107	4
	SCREW – Front cylinder fixing(Lockheed)	4 Cyl. Eng. Drum Brakes		6305040	4
	REPAIR KIT – Front(Lockheed)	4 Cyl. Eng. Drum Brakes		6371078	4
	REPAIR KIT – Rear(Lockheed)	4 Cyl. Eng.		2680855	2
	REPAIR KIT – Front	6 Cyl. Eng. Drum Brakes		7439076	2
	REPAIR KIT – Rear	6 Cyl. Eng. Drum Brakes		7419526	2
	REPAIR KIT – Rear	6 Cyl. Eng. Disc Brakes		7427929	2
4.666	VALVE – Wheel brake bleeder				
	VALVE – Front(Girling)	4 Cyl. Eng. Drum Brakes		VS10760	2
	VALVE – Front(Lockheed)	4 Cyl. Eng.		6305065	2
	VALVE – Rear(Girling)	4 Cyl. Eng.		VS10760	2
	VALVE – Rear (RH Cyl. only)(Lockheed)	4 Cyl. Eng.		6353493	1
	EXCLUDER – Bleeder valve dust(Girling)	4 Cyl. Eng.		6397844	4
	VALVE – Front & rear cylinder	6 Cyl. Eng. Drum Brakes		7420715	4
	VALVE – Front caliper	6 Cyl. Eng. Disc Brakes		VS10760 VS3646	2
	VALVE – Rear	6 Cyl. Eng. Disc Brakes		7420715	2
4.667	CUP, RING – Wheel brake cylinder				
	CUP – Front(Girling)	4 Cyl. Eng. Drum Brakes		2709879	4
	CUP – Front(Lockheed)	4 Cyl. Eng. Drum Brakes		6305047	4
	CUP – Front	6 Cyl. Eng. Drum Brakes		5455298	4
	CUP – Rear(Girling)	4 Cyl. Eng.		8856567	2
	CUP – Rear(Lockheed)	4 Cyl. Eng.		2680854	4
	CUP – Rear	6 Cyl. Eng. Drum Brakes		7420760	4
	CUP – Rear	6 Cyl. Eng. Disc Brakes		7412147	4
4.667	SEAL, SEAL KIT – Front caliper				
	SEAL – Inner(Lockheed)	4 Cyl. Eng. Disc Brakes		6371371	4
	SEAL & RETAINER(Lockheed)	4 Cyl. Eng. Disc Brakes		6371372	4
	SEAL – Fluid channel(Lockheed)	4 Cyl. Eng. Disc Brakes		6391572	2
	SEAL KIT – Front caliper(Lockheed)	4 Cyl. Eng. Disc Brakes		6371374	2
	SEAL KIT – Front caliper	6 Cyl. Eng. Disc Brakes		7449526	1

HOLDEN "LJ" PARTS CATALOGUE

GROUP	DESCRIPTION	MODEL	SIDE	PART No.	QTY.
4.668	PISTON – Wheel brake cylinder, caliper				
	PISTON – Front(Girling)	4 Cyl. Eng. Drum Brakes		7190173	4
	PISTON – Front(Lockheed)	4 Cyl. Eng. Drum Brakes		2690327	4
	PISTON – Front caliper(Lockheed)	4 Cyl. Eng. Disc Brakes		6371370	4
	PISTON – Front	6 Cyl. Eng. Drum Brakes		7438390	4
	PISTON – Front caliper	6 Cyl. Eng. Disc Brakes		VS10713	4
	PISTON – Rear(Girling)	4 Cyl. Eng.		6397992	2
	PISTON – Rear(Lockheed)	4 Cyl. Eng.		2680853	4
	PISTON – Rear	6 Cyl. Eng. Drum Brakes		7420776	4
	PISTON – Rear	6 Cyl. Eng. Disc Brakes		7412148	4
4.669	SPRING – Wheel brake cylinder				
	SPRING – Front(Girling)	4 Cyl. Eng. Drum Brakes		6397854	4
	SPRING – Front(Lockheed)	4 Cyl. Eng. Drum Brakes		2690328	4
	SPRING – Front	6 Cyl. Eng. Drum Brakes		5455487	2
	SPRING – Rear(Lockheed)	4 Cyl. Eng.		8830833	2
	SPRING – Rear	6 Cyl. Eng. Drum Brakes		7420775	2
4.670	BOOT – Wheel brake cylinder				
	BOOT – Front(Girling)	4 Cyl. Eng. Drum Brakes		6397855	4
	INSERT – Piston front(Girling)	4 Cyl. Eng. Drum Brakes		7190174	4
	BOOT – Front(Lockheed)	4 Cyl. Eng. Drum Brakes		2696359	4
	BOOT – Front	6 Cyl. Eng. Drum Brakes		7438159	4
	BOOT – Rear(Girling)	4 Cyl. Eng.		6397991	2
	CLIP – Spring, rear(Girling)	4 Cyl. Eng.		6397994	2
	BOOT – Rear(Lockheed)	4 Cyl. Eng.		8845739	4
	BOOT – Rear	6 Cyl. Eng. Drum Brakes		7420773	4
	BOOT – Rear	6 Cyl. Eng. Disc Brakes		7412404	4
4.671	SPACER – Rear wheel brake cylinder cup				
	SPACER	6 Cyl. Eng. Disc Brakes		7412378	2
4.674	COVER – Wheel brake cylinder dust				
	COVER – Rear(Girling)	4 Cyl. Eng.		6397985	2
4.675	LINK – Wheel brake cylinder connecting				
	FRONT & REAR	6 Cyl. Eng. Drum Brakes		7420743	8
4.680	HOSE – Brake				
	HOSE – Front	4 Cyl. Eng.		8827184	2
	HOSE – Front	6 Cyl. Eng. Drum Brakes		2812607	2
	HOSE – Front	6 Cyl. Eng. Disc Brakes		2815274	2
	WASHER – Front hose to wheel cyl.	6 Cyl. Eng. Drum Brakes		7410046	2
	HOSE – Rear	4 Cyl. Eng.		7171368	1
	HOSE – Rear	6 Cyl. Eng.		7427510	1
4.681	BRACKET – Brake hose				
	BRACKET – Front hose conn. mounting (3¼" long) .	6 Cyl. Eng.LEFT HAND DRIVE		2808767	1
	BRACKET – Front (2" long)	6 Cyl. Eng.		2808415	1-2
	BRACKET – Front hose mounting	6 Cyl. Eng. Disc Brakes	LH	2815154	1
			RH	2815155	1
	SPRING – Front brake hose retainer	6 Cyl. Eng. Rally Wheels		7428873	2
	CLIP – Front brake hose	6 Cyl. Eng. Rally Wheels		7428872	2
	BRACKET – Rear hose	4 Cyl. Eng.		7449693	1
	BRACKET – Rear hose conn. mounting	6 Cyl. Eng.		2808757	1
	BRACKET – Rear hose mounting	6 Cyl. Eng.		2808766	1
	SPRING – Yoke	6 Cyl. Eng.		476737	A.R.

HOLDEN "LJ" PARTS CATALOGUE

GROUP	DESCRIPTION	MODEL	SIDE	PART No.	QTY.
4.685	PIPE, CLIP – Brake				
	PIPE ASSY. – Main cylinder to front brake connector	4 Cyl. Eng. Drum exc. Power Brakes		2820591	1
	PIPE ASSY. – Main cylinder to front brake connector	4 Cyl. Eng. Disc Brakes		2822970	1
	PIPE ASSY. – Main cylinder to front brake connector	6 Cyl. Eng. Drum exc. Power Brakes RIGHT HAND DRIVE		2818295	1
	PIPE ASSY. – Main cylinder to front brake connector	6 Cyl. exc. XU1 Eng. Disc, Power Brakes RIGHT HAND DRIVE		2818300	1
	PIPE ASSY. – Main cylinder to front brake connector	XU1 Eng.		2818387	1
	PIPE ASSY. – Main cylinder to rear brake connector	4 Cyl. Eng. Drum exc. Power Brakes		2820590	1
	PIPE ASSY. – Main cylinder to rear brake connector	4 Cyl. Eng. Disc Brakes		2822971	1
	PIPE ASSY. – Main cylinder to rear brake connector	6 Cyl. Eng. Drum exc. Power Brakes RIGHT HAND DRIVE		2818296	1
	PIPE ASSY. – Main cylinder to rear brake connector	6 Cyl. exc. XU1 Eng. Disc, Power Brakes RIGHT HAND DRIVE		2818301	1
	PIPE ASSY. – Main cylinder to rear brake connector	XU1 Eng.		2818440	1
	PIPE ASSY. – Connector to front brake	4 Cyl. Eng.	LH	(¹¹² 2820541	1
			RH	(¹¹² 2820540	1
	PIPE ASSY. – Connector to front brake	4 Cyl. Eng.	LH	(¹¹³ 9932091	1
			RH	(¹¹³ 2820540	1
	PIPE ASSY. – Connector to front brake	6 Cyl. Eng.RIGHT HAND DRIVE	LH	2818298	1
			RH	2818299	1
	PIPE ASSY. – Hose to front brake cyl.	4 Cyl. Eng. Drum Brakes	LH	7198261	1
			RH	7198260	1
	PIPE ASSY. – Hose to caliper	4 Cyl. Eng. Disc Brakes	LH	2691721	1
			RH	2691720	1
	PIPE ASSY. – Hose to caliper	6 Cyl. Eng. Disc Brakes	LH	2815157	1
			RH	2815156	1
	PIPE ASSY. – Front wheel cyl. conn.(Girling)	4 Cyl. Eng. Drum Brakes		7154885	2
	PIPE ASSY. – Front wheel cyl. conn.(Lockheed)	4 Cyl. Eng. Drum Brakes	LH	2690323	1
			RH	2702168	1
	PIPE ASSY. – Connector to rear brake connector	4 Cyl. Eng.		2820542	1
	PIPE ASSY. – Rear brake connector to rear hose	4 Cyl. Eng.		2820543	1
	PIPE ASSY. – Connector to rear brake hose	6 Cyl. Eng.		2808750	1
	PIPE ASSY. – Connector to rear brake connector	6 Cyl. Eng.RIGHT HAND DRIVE		2822215	1
	PIPE ASSY. – Rear hose to LH brake cylinder(Girling)	4 Cyl. Eng.		8822053	1
	PIPE ASSY. – Rear hose to LH brake cylinder(Lockheed)	4 Cyl. Eng.		8822358	1
	PIPE ASSY. – LH to RH brake cylinder(Girling)	4 Cyl. Eng.		2688574	1
	PIPE ASSY. – LH to RH brake cylinder ..(Lockheed)	4 Cyl. Eng.		8822359	1
	PIPE ASSY. – Connector to rear brake	6 Cyl. Eng.	LH	2808753	1
			RH	2808754	1
	PIPE ASSY. – Main cylinder to front brake connector	6 Cyl. Eng. Drum exc. Power Brakes		2817489	1
		LEFT HAND DRIVE			
	PIPE ASSY. – Main cylinder to front brake connector	6 Cyl. Eng. Disc, Power Brakes		2812941	1
		LEFT HAND DRIVE			
	PIPE ASSY. – Main cylinder to rear brake connector	6 Cyl. Eng. Drum exc. Power Brakes		2817488	1
		LEFT HAND DRIVE			
	PIPE ASSY. – Main cylinder to rear brake connector	6 Cyl. Eng. Disc, Power Brakes		2812940	1
		LEFT HAND DRIVE			
	PIPE ASSY. – Connector to front brake	6 Cyl. Eng.LEFT HAND DRIVE	LH	2815090	1
			RH	2812942	1
	CLIP – Pipe to longitudinal member	4 Cyl. exc. 1600 Eng.		SP1909	A.R.
	CLIP – Pipe to longitudinal member	1600 Eng.		SP1836	3
	CLIP – Rear LH to RH brake pipe	4 Cyl. Eng.		599119	1
	CLIP – Pipe to front cross member	6 Cyl. Eng.		2808752	1
	CLIP – Pipe to axle housing	6 Cyl. Eng.		7415654	2
	CLIP – Pipe to longitudinal member	6 Cyl. Eng.		SP1836	3
	CLIP – Pipe to dash panel	RIGHT HAND DRIVE		2805732	1-2
	CLIP – Pipe to dash panel	RIGHT HAND DRIVE		SP2288	1
	SHIELD – Brake pipe	4 Cyl. Eng.	LH	7437667	1
			RH	7437668	1

Note: (¹¹² Prior to A.D.R. 10B.
(¹¹³ Use with A.D.R. 10B.

HOLDEN "LJ" PARTS CATALOGUE

GROUP	DESCRIPTION	MODEL	SIDE	PART No.	QTY.
4.686	CONNECTOR and SWITCH, CONNECTOR – Brake pipe				
	SWITCH ASSEMBLY – Pressure warning	4 Cyl. Eng.		VS11789	1
	CONNECTOR & SWITCH ASSEMBLY – Pressure warning		RIGHT HAND DRIVE	2817426	1
	SWITCH ASSEMBLY – Pressure warning		RIGHT HAND DRIVE	VS11789	1
	CONNECTOR – Main cylinder to front brake pipe	6 Cyl. Eng.	LEFT HAND DRIVE	2815321	1
	CONNECTOR – Rear hose to rear brake pipe	6 Cyl. Eng.		7423276	1
	CONNECTOR – Front to rear brake pipe union	ALL		SP2235	1
4.764	EQUALISER – Hand brake cable				
	EQUALISER ASSY.	4 Cyl. Eng.		7186471	1
	EQUALISER	6 Cyl. Eng.		2806975	1
	BRACKET – Equaliser cover	Bench Seat		2812872	1
4.765	STUD – Hand brake equaliser				
	STUD	6 Cyl. Eng. Bucket Seat		2806974	1
	CLEVIS	6 Cyl. Eng. Bucket Seat		2806973	1
4.823	PIN – Hand brake cable clevis				
	PIN – Cable to rear brakes	4 Cyl. Eng.		7141838	2
4.825	ROD, BAR – Hand brake cable adjusting				
	ROD	Bench Seat	LH	2812851	1
			RH	2812850	1
	BAR	Bench Seat		2816146	2
4.826	CABLE – Hand brake				
	CABLE ASSY. – Front	4 Cyl. Eng.		2806428	1
	CLEVIS – Front	4 Cyl. Eng.		7186474	1
	CABLE ASSY. – Rear	4 Cyl. Eng.		2806429	1
	CLEVIS – Rear	4 Cyl. Eng.		7438378	2
	CABLE ASSY. – Rear (Outer casing 29.72" long)	6 Cyl. Eng. Bucket Seat		2806984	1
	CABLE ASSY. – Rear, outer casing 36.86" long	6 Cyl. Eng. Bucket Seat		2806983	1
	CABLE ASSY. – Front	Bench Seat		2812931	1
	CABLE ASSY. – Rear	Bench Seat		2810274	1
	CLEVIS – Front	Bench Seat		2812857	1
	PIN – Clevis $\frac{5}{16}$ " x $\frac{43}{64}$ "	Bench Seat		9416017	1
	WASHER – Front cable	Bench Seat		2812863	1
	CLIP – Hand brake cable	Bench Seat		SP1735	2
	SPRING – Yoke	6 Cyl. Eng.		476737	2
4.828	BOOT – Hand brake front cable				
	BOOT	4 Cyl. Eng.		2806980	1
	BOOT	6 Cyl. Eng. Bucket Seat	LH	2806980	1
			RH	2806979	1
	BOOT	Bench Seat	LH	2810270	1
			RH	2810269	1
4.829	BRACKET – Hand brake cable				
	BRACKET – Rear cable anchor	6 Cyl. Eng.	LH	2806981	1
			RH	2806982	1
4.834	BOOT – Hand brake pull rod				
	BOOT	Bench Seat		2812864	1

HOLDEN "LJ" PARTS CATALOGUE

GROUP	DESCRIPTION	MODEL	SIDE	PART No.	QTY.
4.901	BRACKET, SPACER, SUPPORT – Brake booster mounting				
	BRACKET – Support	4 Cyl. Eng. Disc, Power Brakes	LH	2806839	1
			RH	2806840	1
	BRACKET ASSY.	6 Cyl. Eng. Disc, Power Brakes			
		RIGHT HAND DRIVE		2806065	1
		LEFT HAND DRIVE		2815095	1
	SPACER	6 Cyl. Eng. Disc, Power Brakes		2823223	1
	SUPPORT	6 Cyl. Eng. Disc, Power Brakes			
		RIGHT HAND DRIVE		2806061	1
		LEFT HAND DRIVE		2810753	1
4.902	BOOSTER, REPAIR KIT – Brake vacuum servo				
	BOOSTER	4 Cyl. Eng. Disc Brakes		2813779	1
	BOOSTER	4 Cyl. Eng. Power Brakes		2813778	1
	BOOSTER	6 Cyl. Eng. Power Brakes		2820725	1
	BOOSTER	6 Cyl. Eng. Disc Brakes exc. XU1 Eng.		2820731	1
	BOOSTER	XU1 Eng.		2820732	1
	BOLT & WASHER ASSY.	6 Cyl. Eng. Disc, Power Brakes		SP1994	1
	REPAIR KIT	6 Cyl. Eng. Power Brakes		2814090	1
	REPAIR KIT	6 Cyl. Eng. Disc Brakes exc. XU1 Eng.		2814483	1
	REPAIR KIT	XU1 Eng.		VS11685	1
	BOOSTER PACKAGE – (Accessory)	6 Cyl. Eng. Power Brakes			
		RIGHT HAND DRIVE		2825426	1
4.903	FILTER – Brake vacuum servo air cleaner				
	FILTER	Disc, Power Brakes		VS10577	1
4.904	VALVE – Brake vacuum servo				
	VALVE ASSY. – Check	Disc, Power Brakes		9938160	1
	GROMMET – Check valve	Disc, Power Brakes		9929528	1
4.907	SEAL, DISC, PLUNGER, WASHER, BOOT – Brake vacuum servo booster				
	ROD – Push	4 Cyl. Eng.		VS11355	1
	SEAL – Push rod	Disc, Power Brakes		VS10576	1
	DISC – Reaction	Disc, Power Brakes		VS10575	1
	PLUNGER & ROD ASSY. – Valve	4 Cyl. Eng. Disc, Power Brakes		VS11160	1
	PLUNGER & ROD ASSY. – Valve	XU1 Eng. Disc Brakes		VS10580	1
	PLUNGER & ROD ASSY. – Valve	6 Cyl. Eng. Power Brakes		VS11175	1
	WASHER – Valve rod	Disc, Power Brakes		VS10578	1
	BOOT	4 Cyl. Eng. Disc, Power Brakes		VS11161	1
	BOOT	6 Cyl. Eng. Disc, Power Brakes		VS10574	1
4.908	SEAL, GROMMET, DIAPHRAGM – Brake vacuum servo				
	GROMMET – Push rod	4 Cyl. Eng. Disc, Power Brakes		7186393	1
	DIAPHRAGM	4 Cyl. Eng. Disc Brakes		VS11358	1
	SEAL ASSY. – Centre shell	XU1 Eng.		VS10664	1
	SEAL ASSY. – Rear shell	Disc, Power Brakes		VS10579	1
	"O" RING – Front diaphragm to push rod housing ..	XU1 Eng.		VS10975	1
4.931	HOSE, ELBOW, CONNECTOR – Brake vacuum servo				
	HOSE – Servo to manifold	4 Cyl. Eng. Power Brakes		7437814	1
	HOSE – Servo to manifold	1160, 70, 1300 Eng. Disc Brakes		7438528	1
	HOSE – Servo to manifold	1600, 1760 Eng.		2816860	1
	HOSE – Servo to manifold	6 Cyl. Eng. Disc, Power Brakes		2825770	1
	ELBOW – Manifold	6 Cyl. Eng. Disc, Power Brakes		7406788	1
	CONNECTOR – Hose to manifold	1160, 70, 1300 Eng. Disc, Power Brakes		7428280	1
	VALVE – Hose to manifold	(M) 1600, 1760 Eng.		8810180	1
	CLAMP – Hose	Disc, Power Brakes		272846	2

HOLDEN "LJ" PARTS CATALOGUE

GROUP	DESCRIPTION	MODEL	SIDE	PART No.	QTY.
5.001	PLATE, SHIELD – Brake backing				
	PLATE – Front(Girling)	4 Cyl. Eng. Drum Brakes	LH	6397837	1
			RH	6397836	1
	PLATE – Front(Lockheed)	4 Cyl. Eng. Drum Brakes	LH	8853913	1
			RH	8853912	1
	PLATE – Front	6 Cyl. Eng. Drum Brakes	LH	2805399	1
			RH	2805400	1
	SHIELD – Front brake	4 Cyl. Eng. Disc Brakes	LH	7188711	1
			RH	7188710	1
	SHIELD – Front brake	6 Cyl. Eng. Disc Brakes exc. XU1 Eng.	LH	2805523	1
			RH	2805524	1
	PLATE ASSY. – Rear(Girling)	4 Cyl. Eng.	LH	7202849	1
			RH	7202850	1
	PLATE ASSY. – Rear(Lockheed)	4 Cyl. Eng.	LH	8843973	1
			RH	8843972	1
	PLATE ASSY. – Rear	6 Cyl. Eng.	LH	2805545	1
			RH	2805546	1
5.002	BOLT, NUT, LOCK PLATE – Brake backing plate mounting				
	BOLT – Front plate $\frac{1}{16}$ " long	4 Cyl. Eng. Drum Brakes		6375090	4
	BOLT – Front plate $\frac{7}{16}$ " – 20 x $2\frac{1}{64}$ "	4 Cyl. Eng. Drum Brakes		6396326	2
	BOLT – Front plate $\frac{7}{16}$ " – 20 x $1\frac{29}{32}$ "	4 Cyl. Eng. Drum Brakes		6393411	2
	NUT – $\frac{7}{16}$ " – 20	4 Cyl. Eng. Drum Brakes		6393499	4
	LOCK PLATE – Front	6 Cyl. Eng. Drum Brakes		7423746	2
	BOLT – Front shield, $1\frac{5}{8}$ "	4 Cyl. Eng. Disc Brakes		6393408	2
	BOLT – Front shield, $1\frac{3}{4}$ "	4 Cyl. Eng. Disc Brakes		6396325	2
	NUT – Lock	4 Cyl. Eng. Disc Brakes		6393499	4
	NUT – Hex. lock $\frac{7}{16}$ " – 20	6 Cyl. Eng.		9422280	4
	BOLT – Rear plate to axle	4 Cyl. Eng.		7177209	8
	NUT – Hexagon	4 Cyl. Eng.		7168136	8
	BOLT – Rear plate to axle	6 Cyl. Eng.		2817738	8
	GASKET – Front cylinder to flange plate (Lockheed)	4 Cyl. Eng. Drum Brakes		8849653	4
5.010	CALIPER – Brake				
	CALIPER ASSY.(Girling)	4 Cyl. Eng. Disc Brakes	LH	8822351	1
			RH	8822350	1
	CALIPER ASSY.(Lockheed)	4 Cyl. Eng. Disc Brakes	LH	8834507	1
			RH	8834506	1
	BOLT – Nyloc caliper(Lockheed)	4 Cyl. Eng. Disc Brakes		7162468	4
	BOLT – Caliper to knuckle	4 Cyl. Eng. Disc Brakes		6396150	4
	CALIPER ASSY.	6 Cyl. Eng. Disc Brakes exc. XU1 Eng.	LH	2820317	1
			RH	2820318	1
	CALIPER ASSY.	XU1 Eng. Disc Brakes	LH	2820321	1
			RH	2820322	1
5.011	SHIELD – Brake caliper splash				
	SHIELD	6 Cyl. Eng. Disc Brakes exc. XU1 Eng.		7438754	2
5.017	SHOE and LINING – Brake				
	SHOE & LINING SET – Front(Girling)	4 Cyl. Eng. Drum Brakes		2702273	2
	SHOE & LINING SET – Front(Lockheed)	4 Cyl. Eng. Drum Brakes		8830772	2
	SHOE & LINING SET – Front .030" O/S ..(Bonded)	6 Cyl. Eng. Drum Brakes		7427925	1
	FRONT – Primary	6 Cyl. Eng. Drum Brakes		2815497	2
	FRONT – Secondary	6 Cyl. Eng. Drum Brakes		2815499	2
	SHOE & LINING SET – Rear(Girling)	4 Cyl. Eng.		91008729	2
	SHOE & LINING SET – Rear(Lockheed)	4 Cyl. Eng.		8830772	2
	SHOE & LINING SET – Rear .030" O/S ..(Bonded)	6 Cyl. Eng. Drum Brakes		7427925	1
	SHOE & LINING SET – Rear(Bonded)	6 Cyl. Eng. Disc Brakes		7430194	1
	REAR – Primary	6 Cyl. Eng. Drum Brakes		2815497	2
	REAR – Primary	6 Cyl. Eng. Disc Brakes		2815501	2
	REAR – Secondary	6 Cyl. Eng. Drum Brakes		2815499	2
	REAR – Secondary	6 Cyl. Eng. Disc Brakes		2815502	2

HOLDEN "LJ" PARTS CATALOGUE

GROUP	DESCRIPTION	MODEL	SIDE	PART No.	QTY.
5.018	LINING SET – Brake				
	LINING SET – Front(Girling)	4 Cyl. Eng. Drum Brakes		2702275	1
	LINING SET – Front(Lockheed)	4 Cyl. Eng. Drum Brakes		8830771	1
	PAD SET – Front(Lockheed)	1160, 70, 1300 Eng. Disc Brakes		8830741	1
	PAD SET – Front(Lockheed)	1600, 1760 Eng. Disc Brakes		8830740	1
	LINING SET – Rear(Girling)	4 Cyl. Eng.		2702275	1
	LINING SET – Rear(Lockheed)	4 Cyl. Eng.		8830771	1
	LINING SET – Front	6 Cyl. Eng. Drum Brakes		7427905	1
	PAD SET – Front	6 Cyl. Eng. Disc Brakes		VS11304	1
	PAD SET – Front, Heavy Duty	6 Cyl. Eng. Disc Brakes		M37229	1
	LINING SET – Rear	6 Cyl. Eng.		7427905	1
	LINING SET – Rear, Heavy Duty	6 Cyl. Eng.		M37230	1
5.019	RIVET – Brake lining				
	RIVET(Girling)	4 Cyl. Eng.		6397848	64
	RIVET(Lockheed)	4 Cyl. Eng.		8830773	64
	RIVET	6 Cyl. Eng.		7405754	72
5.020	PIN, CLIP SPRING – Brake pad retaining and damping				
	PIN – Pad retaining(Girling)	4 Cyl. Eng. Disc Brakes		6397867	4
	CLIP – Retaining pin(Girling)	4 Cyl. Eng. Disc Brakes		VS10759	4
	SPRING – Pad damping(Girling)	4 Cyl. Eng. Disc Brakes		7162758	2
	SPRING – Pad damping(Girling)	4 Cyl. Eng. Disc Brakes		7162759	2
	SHIM – Friction pad(Lockheed)	4 Cyl. Eng. Disc Brakes		8845444	4
	PIN – Pad retaining(Lockheed)	4 Cyl. Eng. Disc Brakes		2690295	4
	RETAINER – Pad(Lockheed)	4 Cyl. Eng. Disc Brakes		2709800	2
	PIN – Pad retaining	6 Cyl. Eng. Disc Brakes		VS12315	4
	CLIP – Pin	6 Cyl. Eng. Disc Brakes		VS10759	4
	SPRING – Anti-rattle	Disc Brakes		VS11008	4
5.026	SPRING – Brake shoe retractor				
	SPRING – Front shoe(Girling)	4 Cyl. Eng. Drum Brakes		6397842	4
	SPRING – Front shoe(Lockheed)	4 Cyl. Eng. Drum Brakes		2690325	4
	SPRING – Rear shoe(Girling)	4 Cyl. Eng.		6397979	2
	SPRING – Rear shoe upper(Lockheed)	4 Cyl. Eng.	LH	8830751	1
			RH	8830750	1
	SPRING – Tension, brake shoe, lower ... (Lockheed)	4 Cyl. Eng.		8830752	2
	SPRING	6 Cyl. Eng.		7426770	8-4
	SPRING – Brake adjusting nut	6 Cyl. Eng.		7426769	4-2
5.041	PIN – Brake shoe hold down				
	PIN(Girling)	4 Cyl. Eng.		6397986	4
	PIN(Lockheed)	4 Cyl. Eng.		8830749	4
	RETAINER(Lockheed)	4 Cyl. Eng.		6311076	4
	PIN	6 Cyl. Eng.		7423578	8-4
5.043	SPRING, WASHER – Brake shoe hold down pin				
	SPRING(Girling)	4 Cyl. Eng.		7162882	4
	SPRING(Lockheed)	4 Cyl. Eng.		6311075	4
	SPRING	6 Cyl. Eng.		7410794	8-4
	WASHER – Cup(Girling)	4 Cyl. Eng.		6397988	8
5.045	PLATE – Brake shoe guide				
	PLATE – Front	6 Cyl. Eng. Drum Brakes		7426808	2
	PLATE – Rear	6 Cyl. Eng.		7426783	2
5.055	PIN – Front brake anchor				
	PIN	6 Cyl. Eng. Drum Brakes		7423242	2

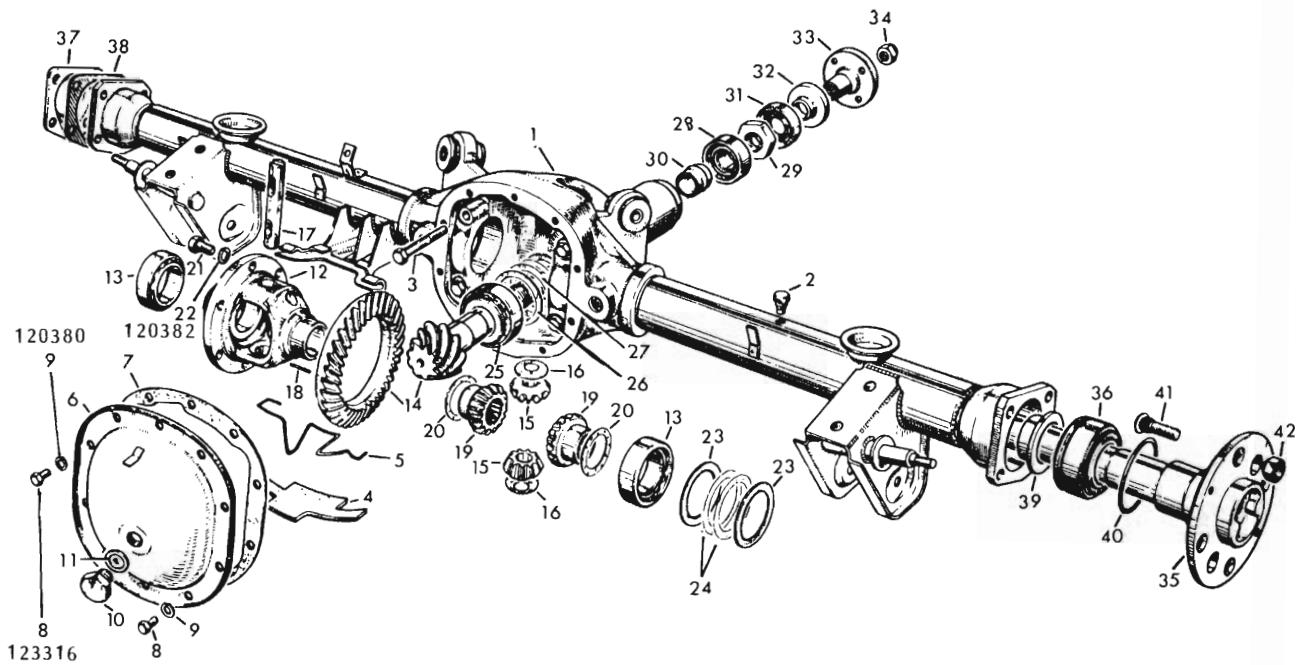
HOLDEN "LJ" PARTS CATALOGUE

GROUP	DESCRIPTION	MODEL	SIDE	PART No.	QTY.
5.103	ADJUSTER, LEVER, PLATE, BUSHING - Brake				
	ADJUSTER ASSY.(Girling)	4 Cyl. Eng.		6361222	2
	KIT - Adjuster(Girling)	4 Cyl. Eng.		6361223	1
	ADJUSTER ASSY.(Lockheed)	4 Cyl. Eng.		6327899	2
	NUT - Adjuster fixing(Lockheed)	4 Cyl. Eng.		6305057	4
	CAP - Adjuster protector	4 Cyl. Eng.		8838222	2
	LEVER - Adjuster	6 Cyl. Eng.	LH	7426775	2-1
			RH	7426776	2-1
	PLATE - Adjuster lever	6 Cyl. Eng.	LH	7426777	2-1
			RH	7426778	2-1
	BUSHING - Adjuster	6 Cyl. Eng.		7426774	4-2
5.105	LINK - Brake adjuster				
	LINK	6 Cyl. Eng.		⁽⁶⁹⁾ 7426780	A.R.
	LINK	6 Cyl. Eng.		⁽⁶⁹⁾ 7426781	A.R.
	LINK	6 Cyl. Eng.		⁽⁶⁹⁾ 7426782	A.R.
	LINK	6 Cyl. Eng.		⁽⁶⁹⁾ 7430233	A.R.
5.107	SPRING - Brake adjuster				
	SPRING(Girling)	4 Cyl. Eng.		6397980	2
	SPRING - Overload	6 Cyl. Eng.		7426772	4-2
	SPRING - Return	6 Cyl. Eng.		7426773	4-2
5.110	WASHER, SCREW - Brake adjusting				
	WASHER(Girling)	4 Cyl. Eng.		6361229	4
	WASHER - Lock(Lockheed)	4 Cyl. Eng.		7088385	4
	WASHER - Spring, front brake(Lockheed)	4 Cyl. Eng. Drum Brakes		1046049	4
	WASHER - Front brake adj.(Lockheed)	4 Cyl. Eng. Drum Brakes		2690326	4
	WASHER	6 Cyl. Eng.		7424836	4-2
	SCREW	6 Cyl. Eng.	LH	2820533	2-1
			RH	2820532	2-1
5.111	TAPPET, NUT, SOCKET - Brake adjusting				
	TAPPET(Girling)	4 Cyl. Eng.		6397982	4
	NUT(Girling)	4 Cyl. Eng.		6397981	4
	TAPPET(Lockheed)	4 Cyl. Eng.		7206866	4
	SCREW(Lockheed)	4 Cyl. Eng.		7156356	4
	NUT	6 Cyl. Eng.	LH	7424835	2-1
			RH	7426790	2-1
	PLUG - Adjusting screw	6 Cyl. Eng.		7438646	4-2
5.149	LEVER - Hand brake actuating				
	LEVER ASSY.(Girling)	4 Cyl. Eng.		7162875	2
	LEVER ASSY.(Lockheed)	4 Cyl. Eng.	LH	8830747	1
			RH	8830746	1
	BOOT - Handbrake lever(Lockheed)	4 Cyl. Eng.		8830753	2
	LEVER ASSY.	6 Cyl. Eng.	LH	7420807	1
			RH	7420808	1
5.150	STRUT - Hand brake actuating lever				
	STRUT	6 Cyl. Eng.		7420795	2
5.151	SPRING - Hand brake lever strut				
	SPRING	6 Cyl. Eng.		7420762	2
5.158	PIN, CLIP, WASHER - Hand brake lever				
	PIN	6 Cyl. Eng.		7420779	2
	CLIP - Lever retainer	6 Cyl. Eng.		5454798	2
	WASHER - Lever to secondary shoe	6 Cyl. Eng.		5454797	2

Note: ⁽⁶⁹⁾ Selective Fit.

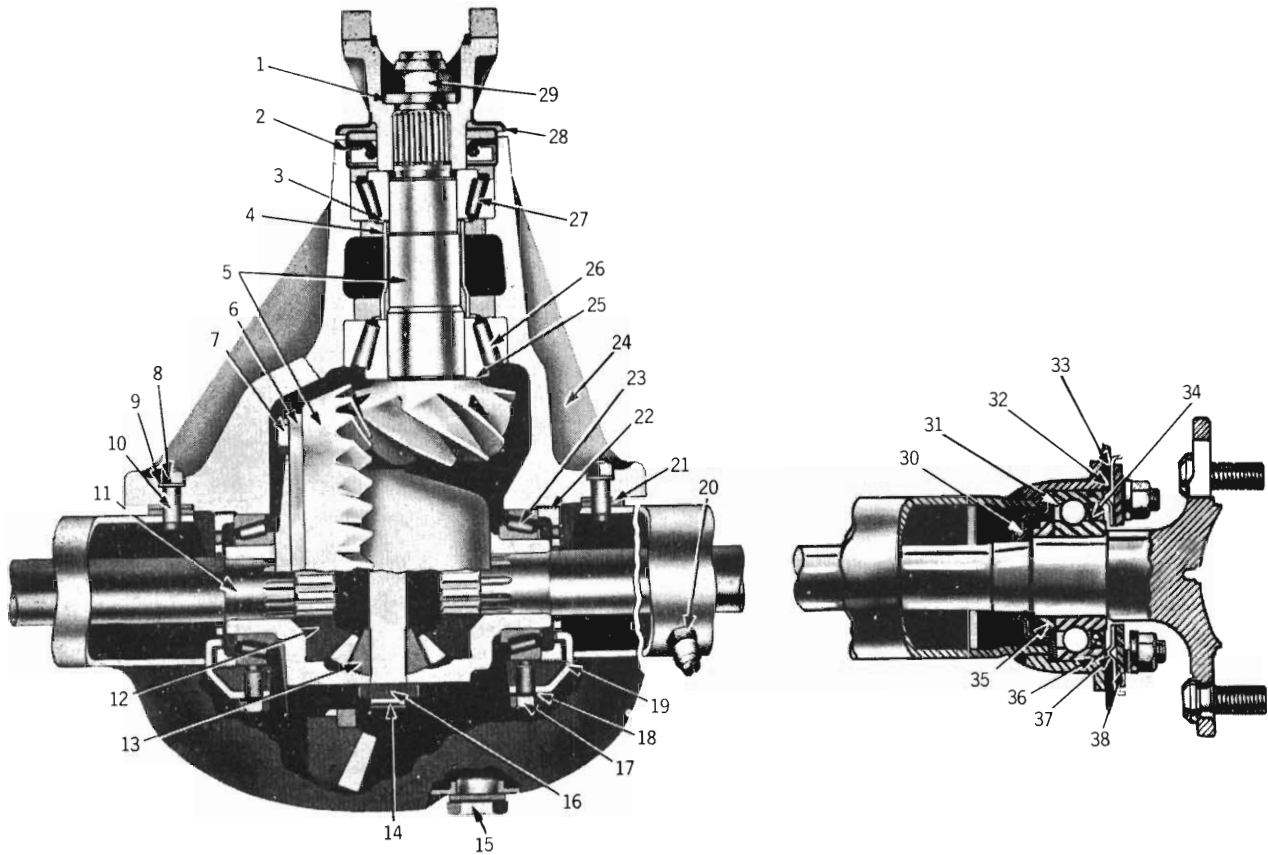
HOLDEN "LJ" PARTS CATALOGUE

GROUP	DESCRIPTION	MODEL	SIDE	PART No.	QTY.
5.188	COVER – Brake adjusting hole				
	COVER	6 Cyl. Eng.		7423304	4-2



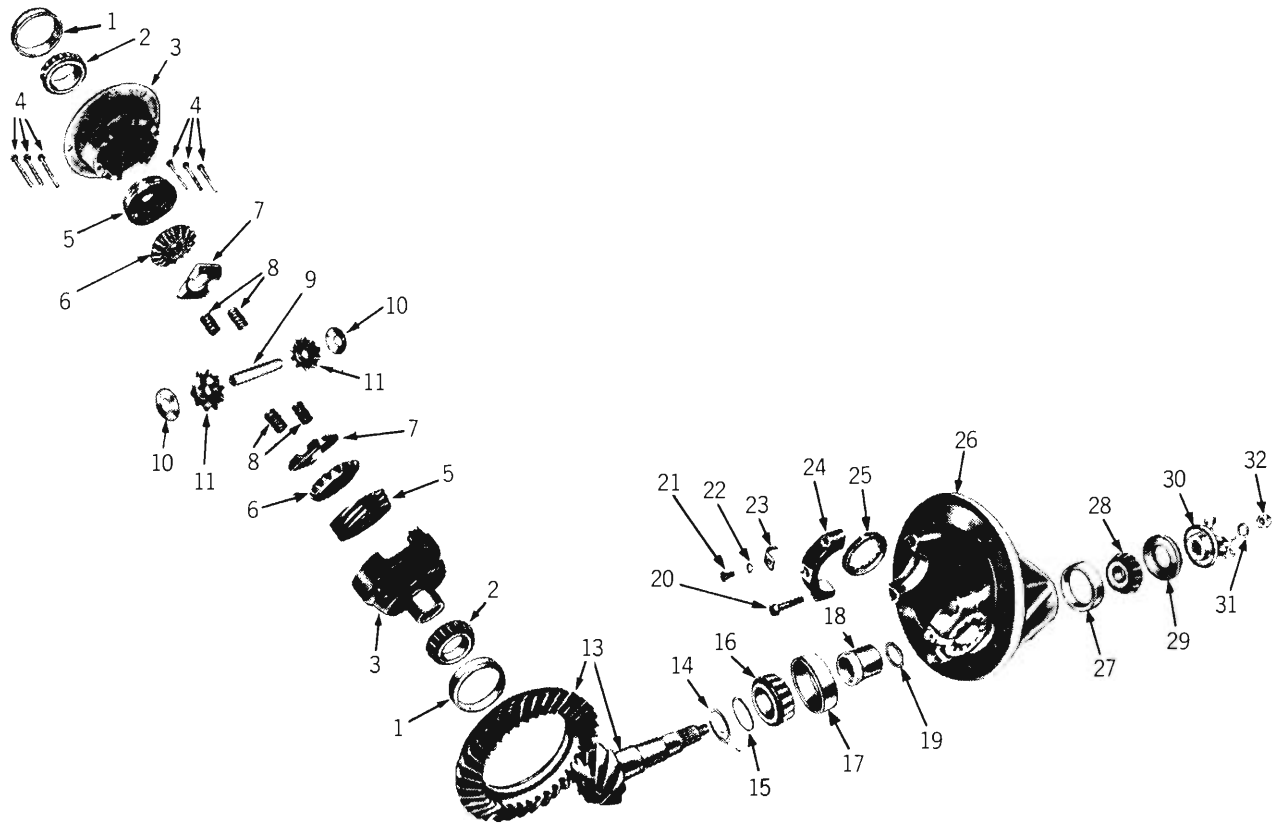
REAR AXLE
4 Cyl. Engine

ILLUS. REF. NO.	PART NAME	GROUP	ILLUS. REF. NO.	PART NAME	GROUP
1.	HOUSING ASSY.	5.387	22.	WASHER	8.931
2.	VENT ASSY.	5.387	23.	SPACER	5.537
3.	BOLT	5.506	24.	SHIM	5.537
4.	PAD	5.387	25.	BEARING	5.484
5.	RETAINER	5.387	26.	SPACER	5.453
6.	COVER	5.398	27.	SHIM	5.460
7.	GASKET	5.399	28.	BEARING	5.447
8.	BOLT	8.900	29.	NUT	5.448
9.	WASHER	8.931	30.	SPACER - Collapsible	5.453
10.	PLUG	5.400	31.	SEAL	5.469
11.	GASKET	5.400	32.	SLINGER	5.545
12.	CASE	5.510	33.	FLANGE	5.545
13.	BEARING	5.536	34.	NUT	5.545
14.	RING GEAR & PINION	5.529	35.	SHAFT	5.420
15.	PINION	5.526	36.	BEARING	5.855
16.	WASHER	5.542	37.	PLATE	5.816
17.	SHAFT	5.517	38.	GASKET	5.816
18.	PIN	5.518	39.	RING	5.816
19.	GEAR	5.528	40.	SEAL	5.822
20.	SPACER	5.543	41.	BOLT	5.812
21.	BOLT	5.531	42.	NUT	5.813



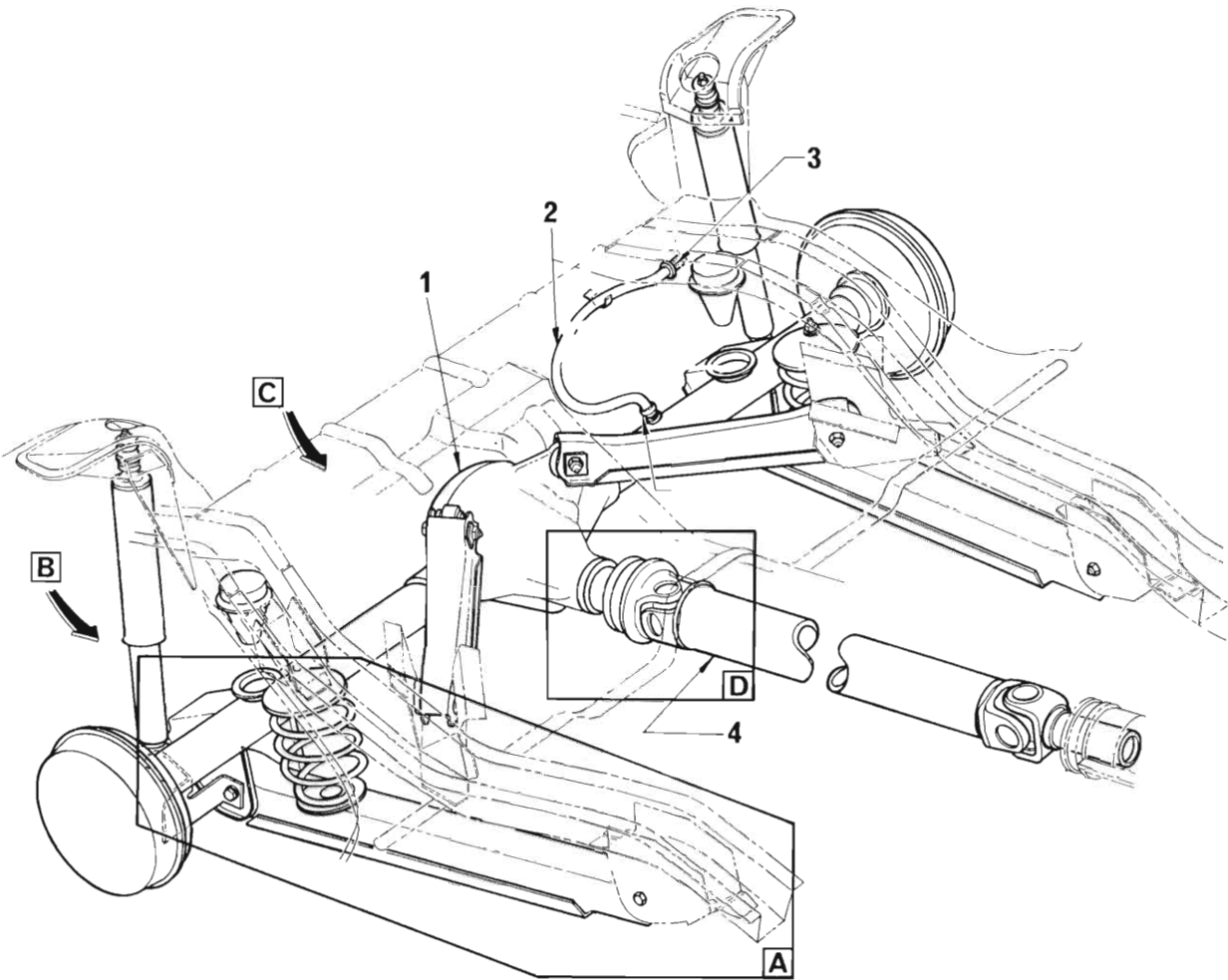
**REAR AXLE ASSEMBLY
6 Cyl. Engine**

ILLUS. REF. NO.	PART NAME	GROUP	ILLUS. REF. NO.	PART NAME	GROUP
1.	WASHER - Flange nut	5.545	21.	GASKET	5.508
2.	SEAL - Pinion oil	5.469	22.	NUT - Adjusting	5.537
3.	SHIM - Preload	5.460	23.	CONE - Differential side bearing	5.536
4.	SPACER - Pinion bearing	5.453	24.	CARRIER & CAP ASSY.	5.505
5.	RING GEAR & PINION ASSY.	5.529	25.	SHIM - Locating	5.460
6.	CASE - Differential	5.510	26.	CONE - Rear pinion bearing	5.484
7.	BOLT - Ring gear	5.531	27.	CONE - Front pinion bearing	5.447
8.	NUT	8.915	28.	FLANGE ASSY.	5.545
9.	WASHER - Spring lock	8.931	29.	NUT - Flange retaining	5.545
10.	BOLT - Axle housing	5.387	30.	SEAL	5.822
11.	SHAFT - Axle	5.420	31.	BEARING - Axle shaft	5.855
12-13	GEAR SET - Differential	5.527	32.	PLATE - Brake backing	5.001
14.	SHAFT - Differential pinion	5.517	33.	GASKET - Oil deflector	5.819
15.	PLUG - Filler	5.400	34.	SEAL - Outer	5.822
16.	PIN - Spring	5.518	35.	RING	5.816
17.	BOLT	8.900	36.	"O" RING	5.822
18.	WASHER	8.931	37.	RETAINER	5.816
19.	LOCK	5.539	38.	REINFORCEMENT	5.816
20.	BREATHER ASSY.	5.387			



**DIFFERENTIAL ASSEMBLY
6 Cyl. Engine – Limited Slip**

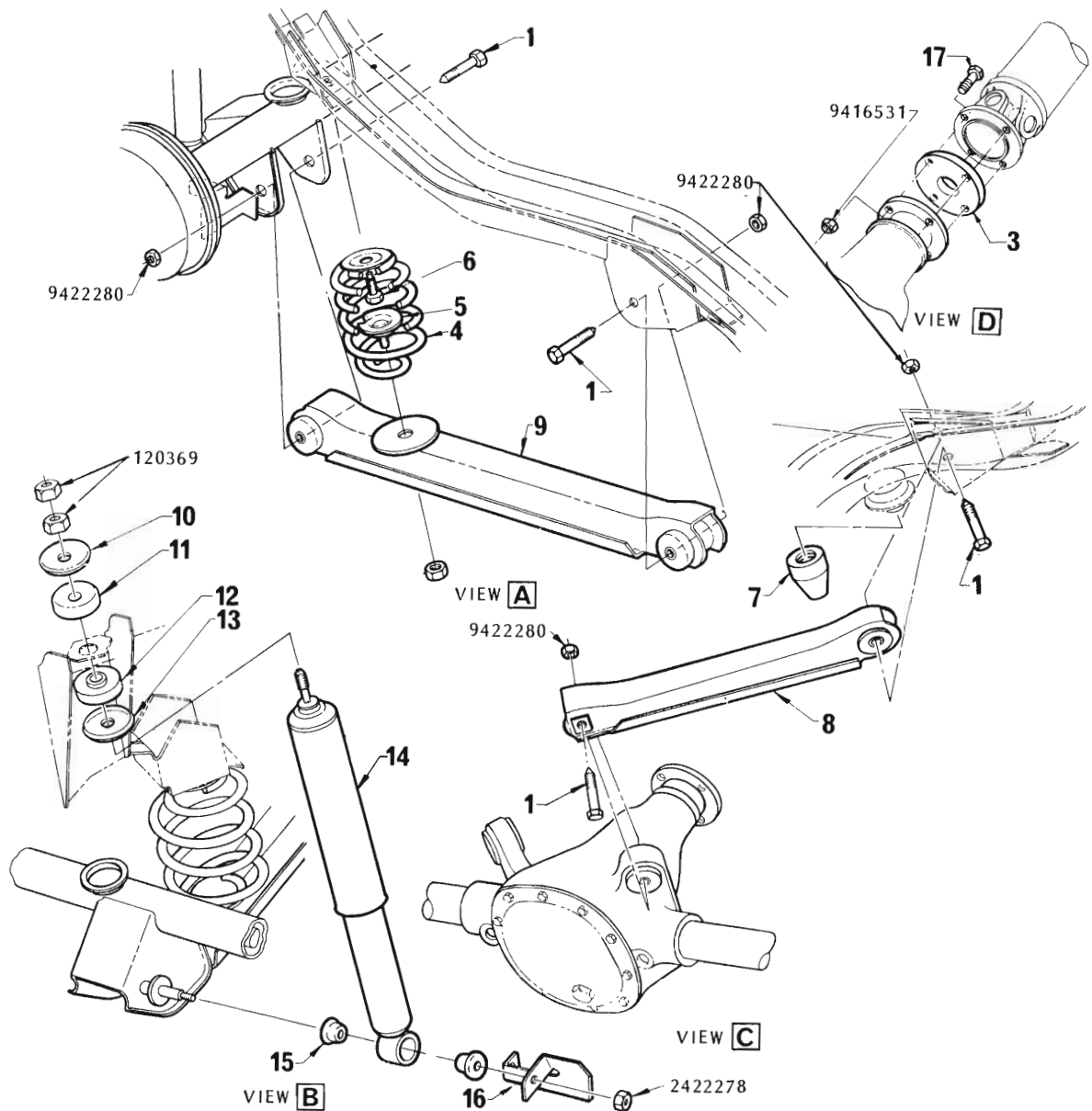
ILLUS. REF. NO.	PART NAME	GROUP	ILLUS. REF. NO.	PART NAME	GROUP
1.	CUP – Differential side bearing	5.536	18.	SPACER – Pinion bearing	5.453
2.	CONE – Differential side bearing	5.536	19.	SHIM – Bearing preload	5.460
3/5.	CASE – Differential	5.510	20.	BOLT – Cap to carrier	5.506
4.	BOLT	8.900	21.	BOLT – Adjusting nut	8.900
5/3.	CASE – Differential	5.510	22.	WASHER – Lock	8.932
6.	GEAR – Differential side	5.528	23.	LOCK – Adjusting nut	5.539
7.	PLATE – Preload spring	5.511	24/26	CARRIER & CAP ASSY.	5.505
8.	SPRING – Preload	5.511	25.	NUT – Bearing adjusting	5.537
9.	SHAFT – Pinion	5.517	26/24	CARRIER & CAP ASSY.	5.505
10.	WASHER – Thrust	5.542	27.	CUP – Pinion front bearing	5.447
11.	PINION – Differential	5.526	28.	CONE – Pinion front bearing	5.447
13.	RING GEAR & PINION	5.529	29.	SEAL – Pinion oil	5.469
14.	SHIM – Pinion locating	5.460	30.	FLANGE ASSY.	5.545
15.	SHIM – Pinion locating	5.460	31.	WASHER – Flange nut	5.545
16.	CONE – Pinion rear bearing	5.484	32.	NUT – Flange retaining	5.545
17.	CUP – Pinion rear bearing	5.484			



REAR AXLE and SUSPENSION
4 Cylinder Engine

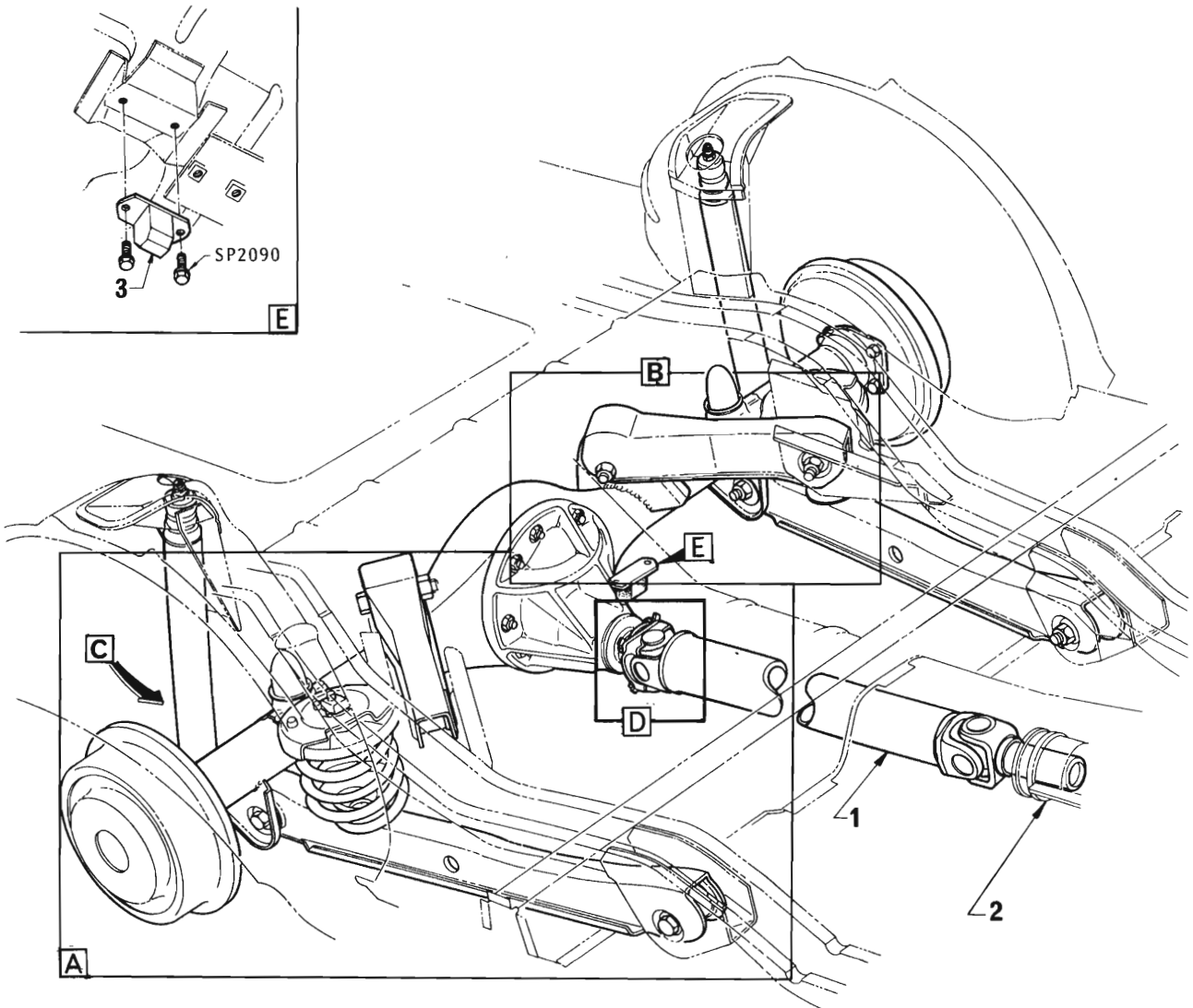
ILLUS. REF. NO.	PART NAME	GROUP
1.	REAR AXLE ASSEMBLY	5.386
2.	HOSE - Rear axle breather	5.387
3.	RETAINER - Rear axle breather hose	5.387
4.	SHAFT ASSEMBLY - Propeller	5.441

VIEW "A" Refer Page }
 VIEW "B" Refer Page } **327**
 VIEW "C" Refer Page }
 VIEW "D" Refer Page }



**REAR AXLE and SUSPENSION
4 Cylinder Engine**

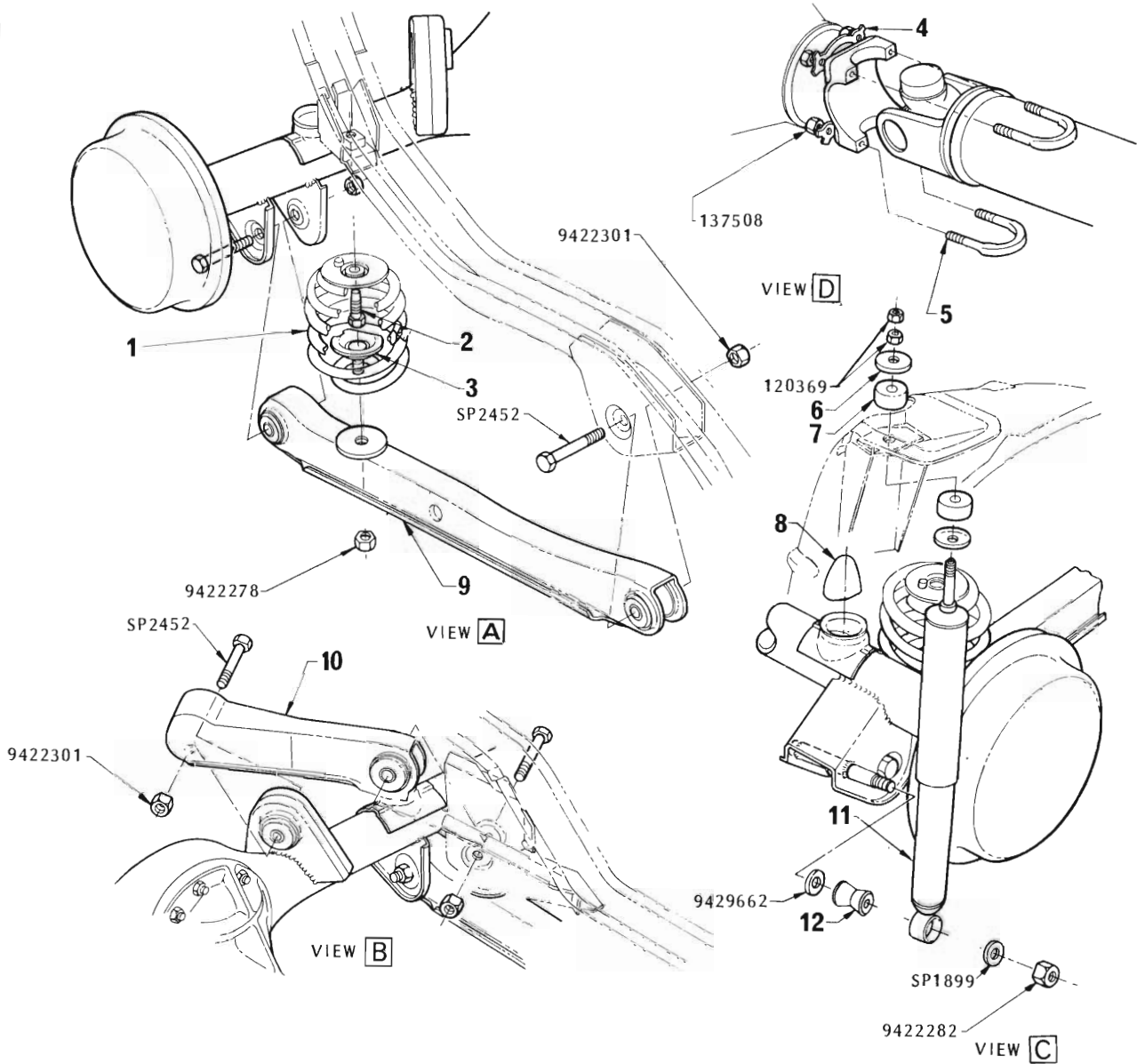
ILLUS. REF. NO.	PART NAME	GROUP	ILLUS. REF. NO.	PART NAME	GROUP
1.	BOLT - Upper & lower arm	5.382	10.	PLATE - Rear shock absorber	7.370
2.	BOLT - Pinion flange	5.546	11.	BUSH - Rear s/absorber upper	7.370
3.	PART OF REAR AXLE ASSY.	N.S.S.	12.	BUSH - Rear s/absorber lower	7.370
4.	SPRING - Rear	7.503	13.	PLATE - Rear s/absorber	7.370
5.	RETAINER - Lower	7.552	14.	SHOCK ABSORBER ASSY.	7.370
6.	RETAINER - Upper	7.552	15.	BUSHING - S/absorber lower	7.370
7.	STOP - Rear axle bump	5.395	16.	SHIELD - Brake pipe	4.685
8.	ARM ASSY. - Upper	5.382	17.	BOLT - Pinion flange	5.546
9.	ARM ASSY. - Lower	5.382			



**REAR AXLE and SUSPENSION
6 Cylinder Engine**

ILLUS. REF. NO.	PART NAME	GROUP
1.	SHAFT ASSY. – Propeller	5.441
2.	HOUSING – Transmission extension	4.317

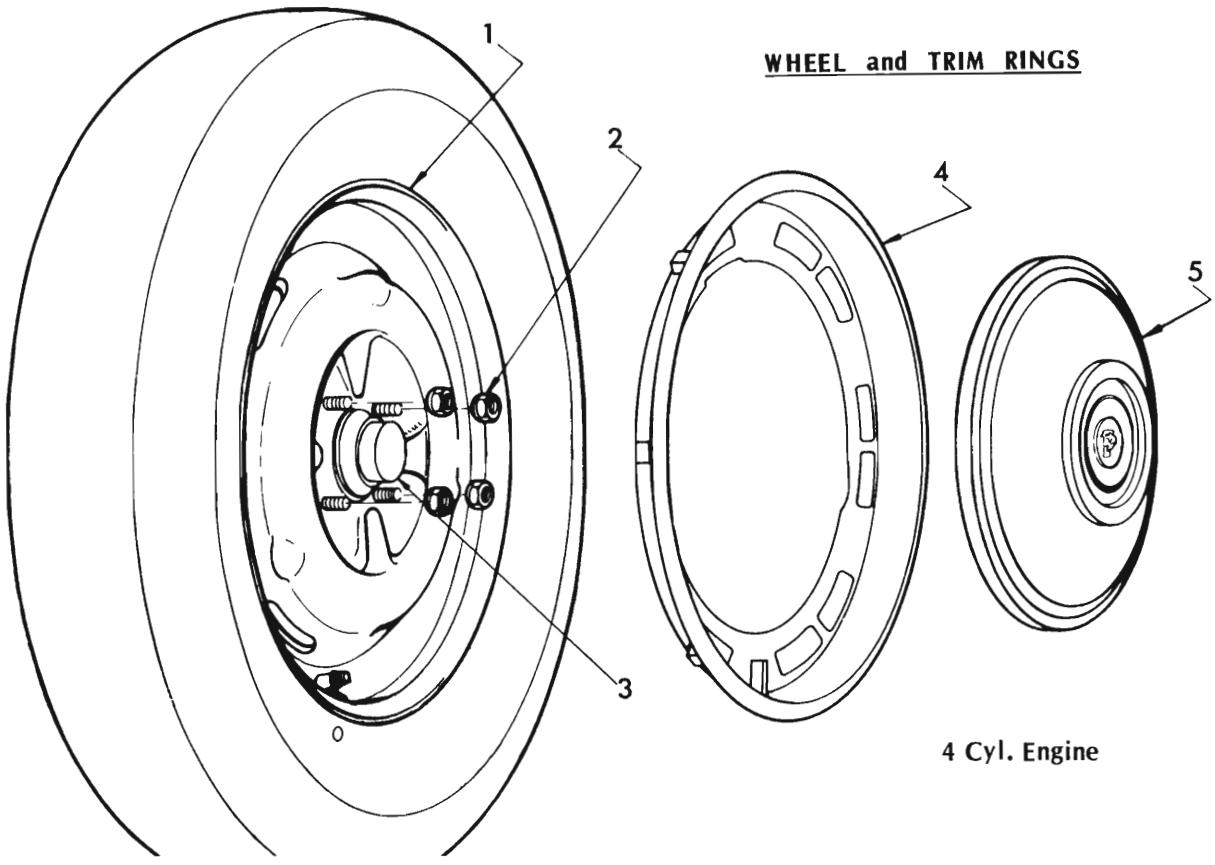
VIEW "A" Refer Page }
 VIEW "B" Refer Page } **329**
 VIEW "C" Refer Page }
 VIEW "D" Refer Page }



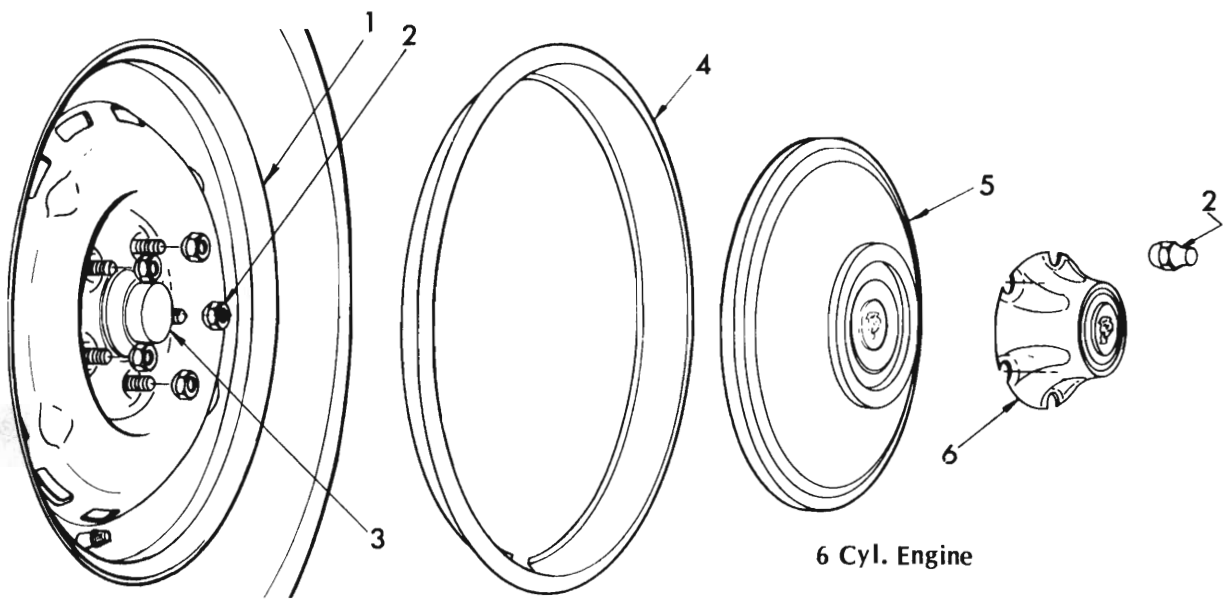
REAR AXLE and SUSPENSION
6 Cylinder Engine

ILLUS. REF. NO.	PART NAME	GROUP	ILLUS. REF. NO.	PART NAME	GROUP
1.	SPRING - Rear	7.503	7.	BUSH - Rear s/absorber upper	7.370
2.	RETAINER - Upper	7.552	8.	BUMPER - Rear axle	7.535
3.	RETAINER - Lower	7.552	9.	ARM ASSY. - Lower	5.382
4.	PLATE - Pinion flange lock	5.546	10.	ARM ASSY. - Upper	5.382
5.	'U' BOLT - Universal joint	5.586	11.	SHOCK ABSORBER	7.345
6.	PLATE - Rear shock absorber	7.370	12.	BUSHING - Lower	7.370

WHEEL and TRIM RINGS



4 Cyl. Engine



6 Cyl. Engine

ILLUS. REF. NO.	PART NAME	GROUP	ILLUS. REF. NO.	PART NAME	GROUP
1.	WHEEL ASSY. - Road	5.803	4.	RING - Wheel trim	5.871
2.	NUT - Wheel hub	5.813	5.	CAP - Wheel hub	5.858
3.	COVER - Wheel bearing	5.858	6.	TRIM - Wheel centre	5.871

HOLDEN "LJ" PARTS CATALOGUE

GROUP	DESCRIPTION	MODEL	SIDE	PART No.	QTY.
5.382	ARM and COMPONENTS – Rear axle suspension				
	ARM & BUSH ASSY. – Upper	4 Cyl. Eng.		2810778	2
	BUSHING – Upper arm, front	4 Cyl. Eng.		9966850	2
	BUSHING ASSY. – Upper arm, rear	4 Cyl. Eng.		2706999	2
	BOLT – Upper arm to rear axle & hanger	4 Cyl. Eng.		2692504	4
	NUT – Hex. self locking 7/16" – 20	4 Cyl. Eng.		9422280	4
	ARM & BUSH ASSY. – Lower	4 Cyl. Eng.		2706994	2
	BUSHING – Lower arm, front	4 Cyl. Eng.		7186111	2
	BUSHING – Lower arm, rear	4 Cyl. Eng.		9966851	2
	BOLT – Lower arm to rear axle & hanger	4 Cyl. Eng.		2692504	4
	NUT – Hex. self locking 7/16" – 20	4 Cyl. Eng.		9422280	4
	BRACKET – Upper arm mounting	4 Cyl. Eng.	LH	7449547	1
			RH	7449548	1
	ARM ASSY. – Upper	6 Cyl. Eng.		7449283	2
	BUSHING ASSY. – Upper arm	6 Cyl. Eng.		2807098	4
	BRACKET – Upper arm, front	6 Cyl. Eng.	LH	7449549	1
			RH	7449550	1
	BRACKET ASSY. – Upper arm, rear	6 Cyl. Eng.	LH	2806019	1
			RH	2806018	1
	ARM ASSY. – Lower	6 Cyl. Eng.		7449280	2
	BUSHING ASSY. – Lower arm	6 Cyl. Eng.		2807098	4
	BRACKET ASSY. – Lower arm, rear	6 Cyl. Eng.	LH	2806047	1
			RH	2806046	1
	BOLT – 1/2" – 13 UNC x 3.63"	6 Cyl. Eng.		SP2452	8
	NUT – Hex. self locking 1/2" – 13	6 Cyl. Eng.		9422301	8
5.387	HOUSING – Rear axle				
	HOUSING ASSY	4 Cyl. Eng.		2682103	1
	VENT ASSY.	4 Cyl. Eng.		7107293	1
	PAD – Filter	4 Cyl. Eng.		7198306	1
	RETAINER – Filter pad	4 Cyl. Eng.		7198307	1
	HOUSING ASSY. – 2.78:1, 3.08:1 A.R.	6 Cyl. exc. XU1 Eng.		2809465	1
	HOUSING ASSY. – 3.36:1, 3.55:1 A.R.	6 Cyl. exc. XU1 Eng.		7449435	1
	HOUSING ASSY. – 3.08:1 A.R.	XU1 Eng.		2823982	1
	HOUSING ASSY. – 3.36:1 A.R.	XU1 Eng.		2823489	1
	BREATHER ASSY	6 Cyl. Eng.		7415204	1
	BOLT	6 Cyl. Eng.		348402	6-7
	WASHER – Special	6 Cyl. Eng.		7418548	6-7
	NUT – Hex. 3/8" – 24, 3.36:1, 3.55:1 A.R.	6 Cyl. Eng.		SP1708	1
5.395	STOP – Rear axle				
	STOP – Bump	4 Cyl. Eng.		6382646	2
5.398	COVER – Rear axle housing				
	COVER ASSY.	4 Cyl. Eng.		7216236	1
5.399	GASKET – Rear axle housing cover				
	GASKET – Asbestos rubber	4 Cyl. Eng.		8851088	1
5.400	PLUG – Axle housing				
	PLUG – Filler	4 Cyl. Eng.		7127250	1
	GASKET – Filler plug	4 Cyl. Eng.		6348488	1
	PLUG – Filler	6 Cyl. Eng.		7400181	1
	GASKET – Filler plug	6 Cyl. Eng.		113897	1
	PLUG – Drain – Bolt hex. hd. 3/8" – 24 x 3" 2.78:1, 3.08:1 A.R.	6 Cyl. Eng.		181385	1
	PLUG – Drain – Bolt hex. hd. 3/8" – 24 x 7/8" 3.36:1, 3.55:1 A.R.	6 Cyl. Eng.		106285	1
	GASKET – Drain plug	6 Cyl. Eng.		7400256	2

HOLDEN "LJ" PARTS CATALOGUE

GROUP	DESCRIPTION	MODEL	SIDE	PART No.	QTY.
5.420	SHAFT – Rear axle				
	SHAFT	4 Cyl. Eng.		8838345	2
	BOLT - Brake drum to shaft	4 Cyl. Eng.		6382868	4
	SHAFT ASSY.	6 Cyl. exc. XU1 Eng.		2811922	2
	SHAFT ASSY.	XU1 Eng.		⁽⁸⁹⁾ 2811922	2
	SHAFT ASSY.	XU1 Eng.		⁽⁹⁰⁾ 9934104	2
5.441	SHAFT – Propellor				
	SHAFT - With joints - Black	(M) 1160, 70, 1300 Eng.		2817158	1
	SHAFT - With joints - Dark green	(A) 70, 1300 Eng.		2817159	1
	SHAFT - With joints - Rust brown	(M) 1600, 1760 Eng.		2820824	1
	SHAFT - With joints - Yellow	(A) 1600, 1760 Eng.		2820825	1
	SHAFT - With joints - Red	(M) 6 Cyl. Eng. 3 Speed Trans.			
		(A) 6 Cyl. Eng.		7448793	1
	SHAFT - With joints - Red	(M) 6 Cyl. Eng. 4 Speed Trans.			
		RIGHT HAND DRIVE		7448793	1
	SHAFT - With joints - Grey	(M) 6 Cyl. Eng. 4 Speed Trans.			
		LEFT HAND DRIVE		7448794	1
5.447	BEARING – Pinion front				
	BEARING ASSY.	4 Cyl. Eng.		6375234	1
	CUP	6 Cyl. Eng.		7421671	1
	CONE	6 Cyl. Eng.		7421672	1
5.453	SPACER – Pinion bearing				
	SPACER - .059"	4 Cyl. Eng.		6396874	A.R.
	SPACER - .060"	4 Cyl. Eng.		6396875	A.R.
	SPACER - Collapsible	4 Cyl. Eng.		2682427	1
	WASHER - Spacer	4 Cyl. Eng.		6396715	1
	SPACER	6 Cyl. Eng.		7421664	1
5.460	SHIM – Pinion bearing				
	SPACER	4 Cyl. Eng.		6396703	A.R.
	PRE-LOAD	6 Cyl. Eng.		7425653	A.R.
	LOCATING - .005"	6 Cyl. Eng.		7408094	A.R.
	LOCATING - .006"	6 Cyl. Eng.		7408095	A.R.
	LOCATING - .007"	6 Cyl. Eng.		7408096	A.R.
	LOCATING - .008"	6 Cyl. Eng.		7408097	A.R.
	LOCATING - .009"	6 Cyl. Eng.		7408098	A.R.
	LOCATING - .010"	6 Cyl. Eng.		7408099	A.R.
	LOCATING - .015"	6 Cyl. Eng.		7408100	A.R.
5.469	SEAL – Rear axle pinion oil				
	SEAL	4 Cyl. Eng.		2687326	1
	SEAL	6 Cyl. Eng.		7421648	1
5.484	BEARING – Pinion rear				
	BEARING	4 Cyl. Eng.		6375235	1
	CUP	6 Cyl. Eng.		7421645	1
	CONE	6 Cyl. Eng.		7421646	1
5.504	DIFFERENTIAL and CARRIER				
	DIFFERENTIAL & CARRIER ASSY. - 3.89:1 A.R. ...	1160, 1300 Eng.		2702373	1
	DIFFERENTIAL & CARRIER ASSY. - 2.78:1 A.R. ...	Reg. Diff. 6 Cyl. Eng.		2810715	1
	DIFFERENTIAL & CARRIER ASSY. - 2.78:1 A.R. ...	Limited Slip Diff. 6 Cyl. Eng.		2810716	1
	DIFFERENTIAL & CARRIER ASSY. - 3.08:1 A.R. ...	Reg. Diff. 6 Cyl. exc. XU1 Eng.		2809015	1
	DIFFERENTIAL & CARRIER ASSY. - 3.08:1 A.R. ...	Limited Slip Diff. 6 Cyl. Eng.		2809014	1
	DIFFERENTIAL & CARRIER ASSY. - 3.36:1 A.R. ...	Reg. Diff. 6 Cyl. exc. XU1 Eng.		7421719	1

Note: ⁽⁸⁹⁾ Up to Eng No. JP386597.
⁽⁹⁰⁾ From Eng. No. JP386598.

HOLDEN "LJ" PARTS CATALOGUE

GROUP	DESCRIPTION	MODEL	SIDE	PART No.	QTY.
5.504	DIFFERENTIAL and CARRIER (contd.)				
	DIFFERENTIAL & CARRIER ASSY. - 3.36:1 A.R. ...	Limited Slip Diff. 6 Cyl. exc. XU1 Eng.		7430869	1
	DIFFERENTIAL & CARRIER ASSY. - 3.36:1 A.R. ...	XU1 Eng.		⁽⁸⁹⁾ 7430869	1
	DIFFERENTIAL & CARRIER ASSY. - 3.36:1 A.R. ...	XU1 Eng.		⁽⁹⁰⁾ 9934109	1
	DIFFERENTIAL & CARRIER ASSY. - 3.55:1 A.R. ...	Reg. Diff. 2250, 2850 Eng.		7421475	1
	DIFFERENTIAL & CARRIER ASSY. - 3.55:1 A.R. ...	Limited Slip Diff. 2250, 2850 Eng.		7430870	1
5.505	CARRIER and CAP - Differential				
	CARRIER & CAP ASSY. - 2.78:1, 3.08:1 A.R.	6 Cyl. Eng.		7435382	1
	CARRIER & CAP ASSY. - 3.36:1, 3.55:1 A.R.	6 Cyl. Eng.		7421813	1
5.506	BOLT - Differential carrier				
	BOLT - Bearing cap	4 Cyl. Eng.		6375383	4
	BOLT - Cap to carrier - 3 1/2"	6 Cyl. Eng.		7421647	2
	BOLT - Cap to carrier - 1 7/8"	6 Cyl. Eng.		7421673	2
5.508	GASKET - Axle housing to differential carrier				
	GASKET	6 Cyl. Eng.		7435153	1
5.510	CASE - Differential				
	CASE	4 Cyl. Eng.		2694516	1
	CASE - 2.78:1, 3.08:1 A.R.	Reg. Diff. 6 Cyl. exc. XU1 Eng.		7435546	1
	CASE - Complete with internal components 2.78:1, 3.08:1 A.R.	Limited Slip Diff. 6 Cyl. exc. XU1 Eng.		2808124	1
	CASE - Complete with internal components 2.78:1, 3.08:1 A.R.	Limited Slip Diff. XU1 Eng.		⁽⁸⁹⁾ 2808124	1
	CASE - Complete with internal components 3.08:1 A.R.	Limited Slip Diff. XU1 Eng.		⁽⁹⁰⁾ 9934106	1
	CASE - 2.78:1, 3.08:1 A.R.	Limited Slip Diff. 6 Cyl. exc. XU1 Eng.		VS10886	1
	CASE - 2.78:1, 3.08:1 A.R.	Limited Slip Diff. XU1 Eng.		⁽⁸⁹⁾ VS10886	1
	CASE - 3.36:1, 3.55:1 A.R.	Reg. Diff. 6 Cyl. exc. XU1 Eng.		7438144	1
	CASE - Complete with side bearings & internal components 3.36:1, 3.55:1 A.R.	Limited Slip Diff. 6 Cyl. exc. XU1 Eng.		7432638	1
	CASE - Complete with side bearings & internal components 3.36:1, 3.55:1 A.R.	Limited Slip Diff. XU1 Eng.		⁽⁸⁹⁾ 7432638	1
	CASE - Complete with internal components 3.36:1 A.R.	Limited Slip Diff. XU1 Eng.		⁽⁹⁰⁾ 9934107	1
	CASE - 3.36:1, 3.55:1 A.R.	Limited Slip Diff. 6 Cyl. exc. XU1 Eng.		VS10392	1
	CASE - 3.36:1, 3.55:1 A.R.	Limited Slip Diff. XU1 Eng.		⁽⁸⁹⁾ VS10392	1
	CASE - 3.08:1, 3.36:1 A.R.	Limited Slip Diff. XU1 Eng.		⁽⁹⁰⁾ VS12604	1
	BOLT - Hex. hd. 5/16" - 18 x 2"	Limited Slip Diff. 6 Cyl. Eng.		454864	6
5.511	SPRING, PLATE - Differential				
	SPRING - Pre-load	Limited Slip Diff. 6 Cyl. Eng.		VS10371	4
	PLATE - Pre-load spring	Limited Slip Diff. 6 Cyl. Eng.		VS10373	2
5.517	SHAFT - Differential pinion				
	SHAFT	1160, 70, 1600 Eng.		⁽⁸⁴⁾ 6375707	1
	SHAFT	1300, 1600, 1760 Eng.		⁽⁸⁵⁾ 2694520	1
	SHAFT	Reg. Diff. 6 Cyl. exc. XU1 Eng.		7411921	1
	SHAFT	Limited Slip Diff. 6 Cyl. Eng.		VS10369	1
5.518	PIN - Differential pinion shaft lock				
	PIN	1160, 70, 1600 Eng.		⁽⁸⁴⁾ 6379793	1
	PIN	1300, 1600, 1760 Eng.		⁽⁸⁵⁾ 2694525	1
	PIN - Spring 1/4" x 1 1/8"	Reg. Diff. 6 Cyl. exc. XU1 Eng.		453670	1
	PIN	Limited Slip Diff. 6 Cyl. Eng.		VS10372	1

Note: ⁽⁸⁴⁾ 1st type - 1600 Engine.
⁽⁸⁵⁾ 2nd type - 1600 Engine.
⁽⁸⁹⁾ Up to Eng No. JP386597.
⁽⁹⁰⁾ From Eng. No. JP386598.

HOLDEN "LJ" PARTS CATALOGUE

GROUP	DESCRIPTION	MODEL	SIDE	PART No.	QTY.
5.526	PINION – Differential				
	PINION	1160, 70, 1600 Eng.		(⁸⁴ 7164368	2
	PINION	1300, 1600, 1760 Eng.		(⁸⁵ 2694518	1
5.527	GEAR SET – Differential				
	GEAR SET – 2 side gears, 2 pinions	Reg. Diff. 6 Cyl. exc. XU1 Eng.		7438035	1
	GEAR SET – 2 side gears, 2 pinions	Limited Slip Diff 6 Cyl. exc. XU1 Eng.		VS10393	1
	GEAR SET – 2 side gears, 2 pinions	Limited Slip Diff. XU1 Eng.		(⁸⁹ VS10393	1
	GEAR SET – 2 side gears, 2 pinions	Limited Slip Diff. XU1 Eng.		(⁹⁰ VS12598	1
5.528	GEAR – Differential side				
	GEAR	1160, 70, 1600 Eng.		(⁸⁴ 7164367	2
	GEAR	1300, 1600, 1760 Eng.		(⁸⁵ 2694519	2
5.529	RING GEAR and PINION				
	RING GEAR & PINION ASSY. – 3.89:1 A.R.	1160, 1300 Eng.		2682101	1
	RING GEAR & PINION ASSY. – 4.125:1 A.R.	70, 1300, 1600 Eng.		2682100	1
	RING GEAR & PINION ASSY. – 2.78:1 A.R.	2250, 2850 Eng.		7435270	1
	RING GEAR & PINION ASSY. – 3.08:1 A.R.	6 Cyl. Eng.		7437392	1
	RING GEAR & PINION ASSY. – 3.36:1 A.R.	6 Cyl. Eng.		7438806	1
	RING GEAR & PINION ASSY. – 3.55:1 A.R.	2250, 2850 Eng.		7423279	1
5.531	BOLT – Ring gear				
	BOLT	1160, 70, 1600 Eng.		(⁸⁴ 6375384	6
	BOLT	1300, 1600, 1760 Eng.		(⁸⁵ 2710515	6
	BOLT	6 Cyl. Eng.		7421634	8
5.536	BEARING – Differential side				
	BEARING	4 Cyl. Eng.		7137636	2
	CUP	6 Cyl. Eng.		7421642	2
	CONE	6 Cyl. Eng.		7421643	2
5.537	SPACER, SHIM, NUT – Differential side bearing				
	SPACER – .050"	4 Cyl. Eng.		6396872	A.R.
	SPACER – .051"	4 Cyl. Eng.		6396873	A.R.
	SPACER – .122"	4 Cyl. Eng.		7205710	A.R.
	SPACER – .123"	4 Cyl. Eng.		7205711	A.R.
	SHIM – Side bearing spacer	4 Cyl. Eng.		6396702	A.R.
	NUT – Adjusting	6 Cyl. Eng.		7421650	2
5.539	LOCK – Differential side bearing adjusting nut				
	LOCK	6 Cyl. Eng.		7407400	2
5.542	WASHER – Differential pinion thrust				
	WASHER	1160, 70, 1600 Eng.		(⁸⁴ 6375475	2
	WASHER	1300, 1600, 1760 Eng.		(⁸⁵ 2694523	1
	WASHER	Reg. Diff 6 Cyl. exc. XU1 Eng.		7400280	2
	WASHER	Limited Slip Diff. 6 Cyl. Eng.		VS10370	2
5.543	SPACER, WASHER, SHIM – Differential side gear thrust				
	SPACER – .019" – .021"	1160, 70, 1600 Eng.		(⁸⁴ 6375485	A.R.
	SPACER – .021" – .023"	1160, 70, 1600 Eng.		(⁸⁴ 7158165	A.R.
	SPACER – .023" – .025"	1160, 70, 1600 Eng.		(⁸⁴ 6375486	A.R.
	SPACER – .025" – .027"	1160, 70, 1600 Eng.		(⁸⁴ 7158166	A.R.
	SPACER – .027" – .029"	1160, 70, 1600 Eng.		(⁸⁴ 6375487	A.R.
	SPACER – .029" – .031"	1160, 70, 1600 Eng.		(⁸⁴ 7158167	A.R.
	SPACER – .031" – .033"	1160, 70, 1600 Eng.		(⁸⁴ 6375488	A.R.

Note: (⁸⁴ 1st type – 1600 Engine.
(⁸⁵ 2nd type – 1600 Engine.
(⁸⁹ Up to Eng No. JP386597.
(⁹⁰ From Eng. No. JP386598.

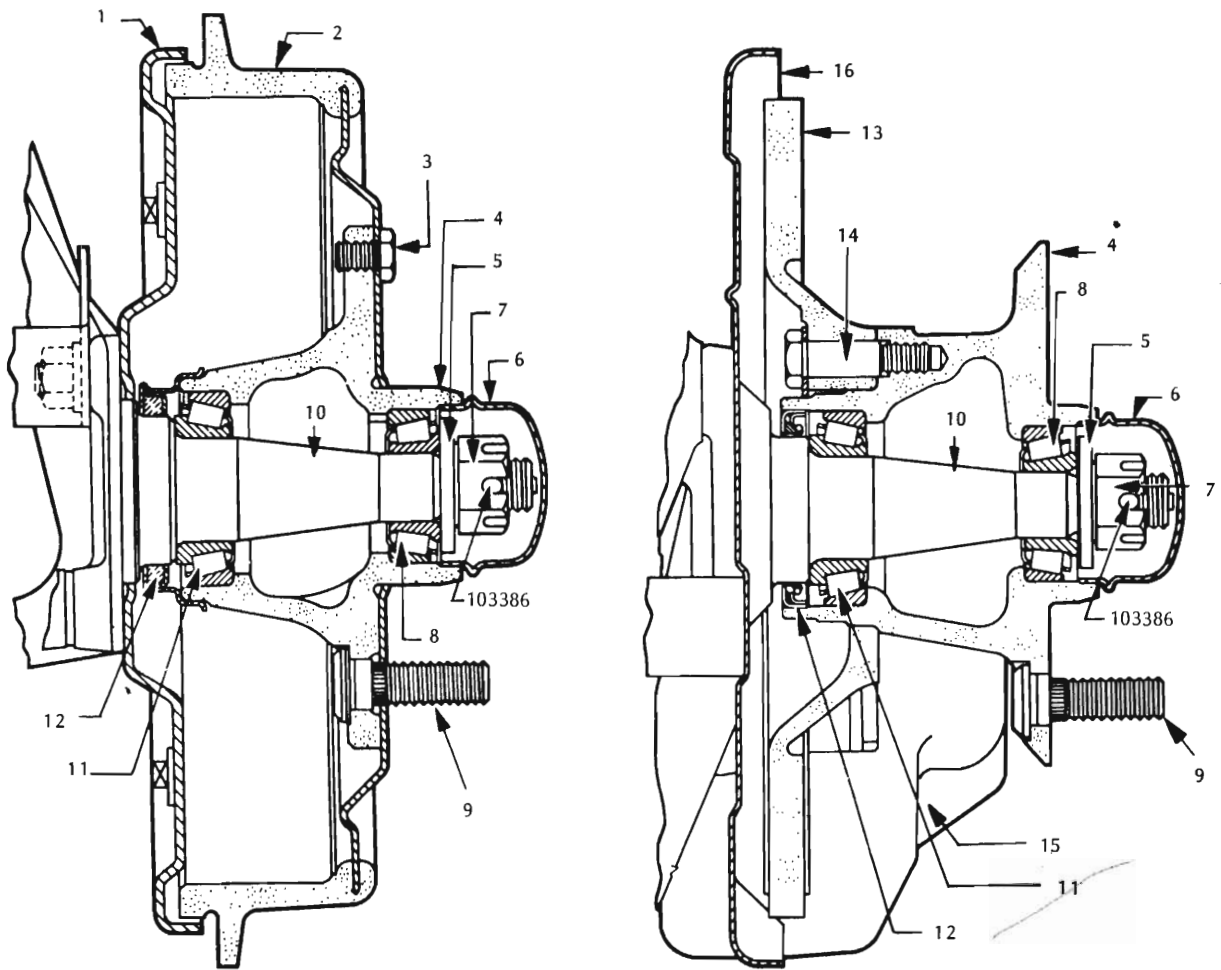
HOLDEN "LJ" PARTS CATALOGUE

GROUP	DESCRIPTION	MODEL	SIDE	PART No.	QTY.
5.543	SPACER, WASHER, SHIM – Differential side gear thrust (contd.)				
	SPACER - .019" - .021"	1300, 1600, 1760 Eng.		(⁸⁵ 2694527	A.R.
	SPACER - .021" - .023"	1300, 1600, 1760 Eng.		(⁸⁵ 2694528	A.R.
	SPACER - .023" - .025"	1300, 1600, 1760 Eng.		(⁸⁵ 2694529	A.R.
	SPACER - .025" - .027"	1300, 1600, 1760 Eng.		(⁸⁵ 2694530	A.R.
	SPACER - .027" - .029"	1300, 1600, 1760 Eng.		(⁸⁵ 2694531	A.R.
	SPACER - .029" - .031"	1300, 1600, 1760 Eng.		(⁸⁵ 2694532	A.R.
	SPACER - .031" - .033"	1300, 1600, 1760 Eng.		(⁸⁵ 2694533	A.R.
	WASHER	Reg. Diff 6 Cyl. exc. XU1 Eng.		7400279	2
	SHIM - .005"	Limited Slip Diff 6 Cyl. Eng.		VS10374	A.R.
	SHIM - .010"	Limited Slip Diff. 6 Cyl. Eng.		VS10375	A.R.
5.545	SLINGER, FLANGE, NUT – Differential pinion				
	SLINGER	4 Cyl. Eng.		8854088	1
	FLANGE and SLINGER ASSY.	4 Cyl. Eng.		8855860	1
	NUT	4 Cyl. Eng.		7085400	1
	ADAPTOR - Flange	4 Cyl. Eng.		2682098	1
	SLINGER	6 Cyl. Eng.		7421668	1
	FLANGE	6 Cyl. Eng.		7422731	1
	NUT	6 Cyl. Eng.		SP1665	1
	WASHER - Flange nut	6 Cyl. Eng.		7421649	1
5.546	BOLT, NUT, PLATE – Differential pinion flange				
	BOLT	4 Cyl. Eng.		2682170	4
	NUT - Self locking	4 Cyl. Eng.		7168136	4
	PLATE - Lock	6 Cyl. Eng.		7422733	2
5.548	REPAIR KIT – Universal joint				
	REPAIR KIT - Front & rear	ALL		VS10604 <i>M1773</i> VS10604	2
5.555	YOKE, FLANGE – Universal joint				
	YOKE ASSY. - Front sleeve	(M) 1160, 70, 1300 Eng.		VS11021	1
	YOKE ASSY. - Front sleeve	(A) 4 Cyl. Eng.		7427962	1
	YOKE ASSY. - Front sleeve	(M) 1600, 1760 Eng.		VS10609	1
	YOKE - Rear flange	4 Cyl. Eng.		VS11018	1
	YOKE ASSY. - Front sleeve	6 Cyl. Eng.		7427962	1
5.586	"U" BOLT, RING – Universal joint				
	"U" BOLT - Rear	6 Cyl. Eng.		7422734	2
	RING	ALL		7400393	6
5.803	WHEEL – Road				
	WHEEL ASSY. - 4.00 x 12	4 Cyl. Eng.		7437062	5
	WHEEL ASSY. - 4.50 x 13	2250, 2850 Eng.		2813814	5
	WHEEL ASSY. - 5.50 x 13	6 Cyl. exc. XU1 Eng.		(¹²³ 2813815	5
	WHEEL ASSY. - 5.50 x 13	6 Cyl. exc. XU1 Eng.		(¹²⁴ 9928601	5
	WHEEL ASSY. - 5.50 x 13	XU1 Eng.		2823863	5
	WHEEL ASSY. - 6.00 x 13	XU1 Eng.		9928167	5
5.804	SPACER – Wheel				
	SPACER	XU1 Eng.		2807154	A.R.
5.809	DRUM, DISC – Brake				
	DISC - Front	4 Cyl. Eng. Disc Brakes		8822491	2
	DRUM ASSY. - Rear	4 Cyl. Eng.		7186170	2
	DISC - Front	6 Cyl. exc. XU1 Eng. Disc Brakes	<i>NLA</i>	2812237	2
	DISC - Front	XU1 Eng.		2817116	2
	DRUM ASSY. - Front	2250, 2850 Eng. Drum Brakes		2809350	2
	DRUM ASSY. - Rear	6 Cyl. Eng.		7424784	2
Note:	(⁸⁵) 2nd type - 1600 Engine.				
	(¹²³) Wheel has slots arranged equally.				
	(¹²⁴) Wheel has slots arranged in pairs.				

HOLDEN "LJ" PARTS CATALOGUE

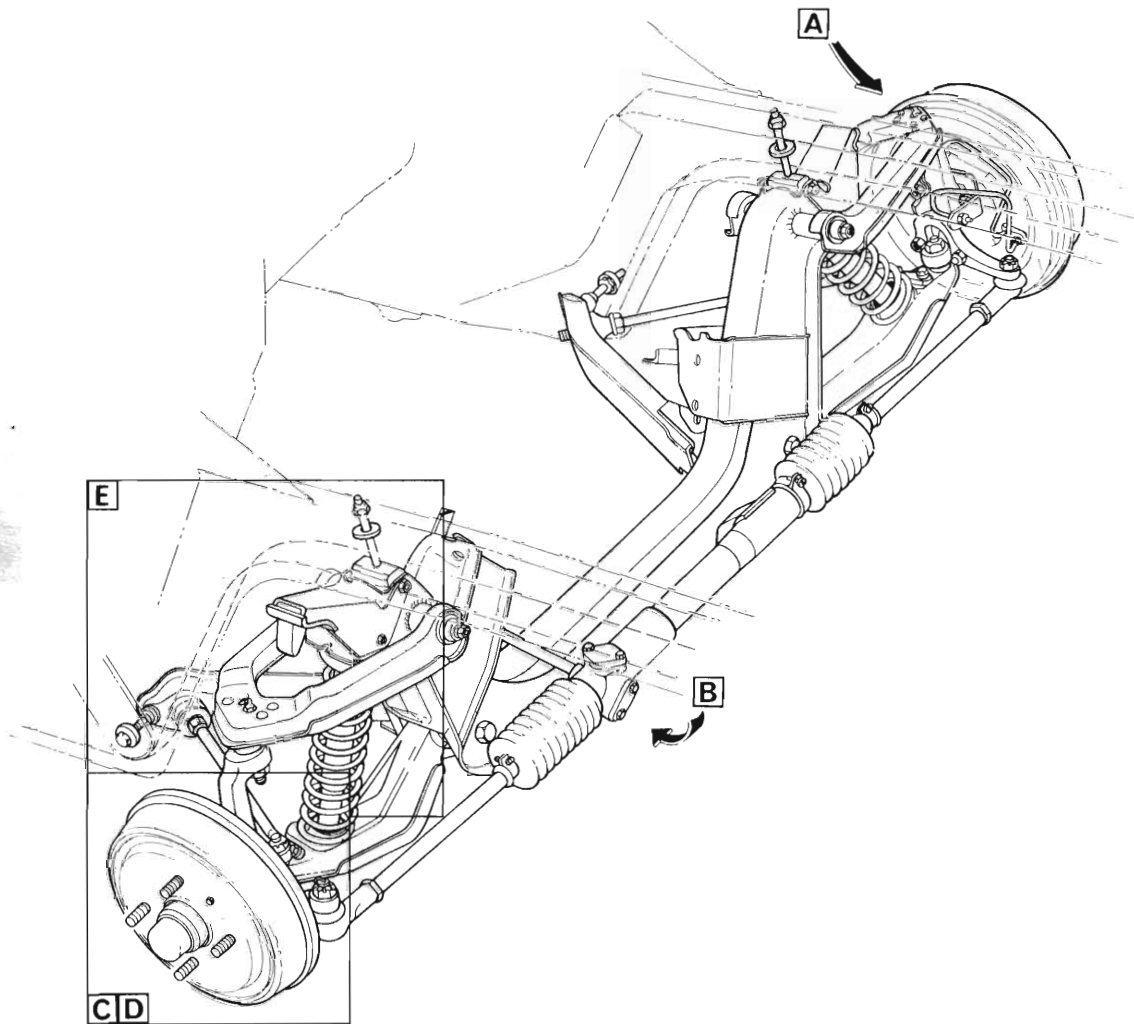
GROUP	DESCRIPTION	MODEL	SIDE	PART No.	QTY.
5.812	BOLT – Wheel hub				
	FRONT & REAR	4 Cyl. Eng.		7176365	16
	FRONT & REAR	6 Cyl. Eng.		2808655	20
5.813	NUT – Wheel hub bolt				
	NUT	4 Cyl. Eng.		2808656	16
	NUT	2250, 2850 Eng.		2808656	20
	NUT - Chrome	6 Cyl. Eng.		2825904	20
	NUT	XU1 Eng.		(¹²⁵ 9928165	20
	WASHER	XU1 Eng.		(¹²⁵ 9928166	20
5.816	RETAINER, RING, GASKET, REINFORCEMENT – Rear axle bearing				
	PLATE - Retainer	4 Cyl. Eng.		7192331	2
	GASKET - Retainer plate	4 Cyl. Eng.		7192332	2
	RING	4 Cyl. Eng.		6375115	2
	RETAINER	6 Cyl. Eng.		7420712	2
	RING	6 Cyl. Eng.		2812104	2
	REINFORCEMENT	6 Cyl. Eng.		7438607	2
5.819	GASKET – Rear brake oil deflector				
	GASKET	6 Cyl. Eng.		7420713	2
5.822	SEAL, "O" RING – Rear axle bearing oil				
	SEAL	4 Cyl. Eng.		6375116	2
	SEAL	6 Cyl. Eng.		7419736	2
	"O" RING	6 Cyl. Eng.		7415353	2
5.855	BEARING – Rear axle				
	BEARING PACKAGE	1160, 70, 1300 Eng.		M36997	2
	BEARING PACKAGE	1600, 1760 Eng.		910025689	2
	BEARING PACKAGE	6 Cyl. Eng.		2810498	2
	BEARING PACKAGE - Optional service	6 Cyl. Eng.		900700	2
5.858	CAP, COVER – Wheel hub				
	CAP	4 Cyl. Eng.		2822472	4
	CAP	2250, 2850 Eng.		2822473	4
	COVER - Front wheel bearing	4 Cyl. Eng.		6379778	2
	COVER - Front wheel bearing	6 Cyl. Eng.		7413400	2
5.871	RING – Wheel trim				
	RING ASSY.	4 Cyl. Eng.		7438568	4
	WHEEL TRIM - Set	4 Cyl. Eng.		7438567	1
	RING ASSY.	6 Cyl. Eng.		2810975	4
	TRIM - Wheel centre	6 Cyl. Eng.		2822470	4
	TRIM - Wheel centre	XU1 Eng.		(¹²⁵ 9928278	4
5.875	VALVE – Tyre				
	VALVE ASSY.	XU1 Eng.		(¹²⁵ 9928262	5
	CAP - Valve	XU1 Eng.		(¹²⁵ M37211	5

Note: (¹²⁵ Use with wheel Part No. 9928167.



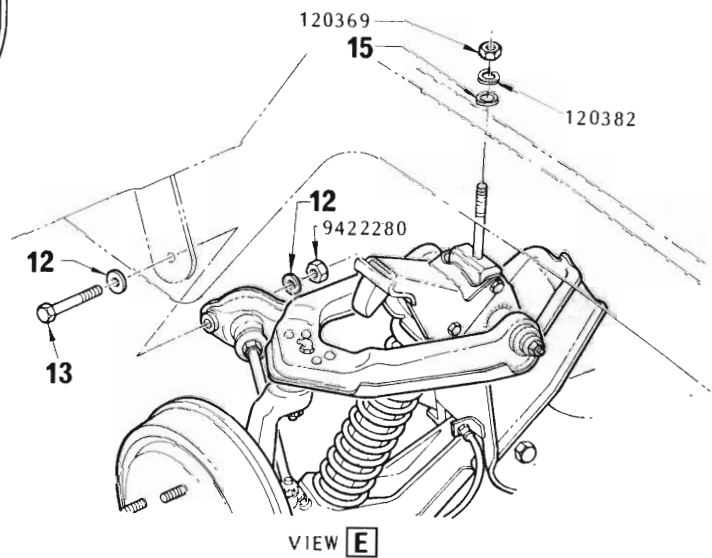
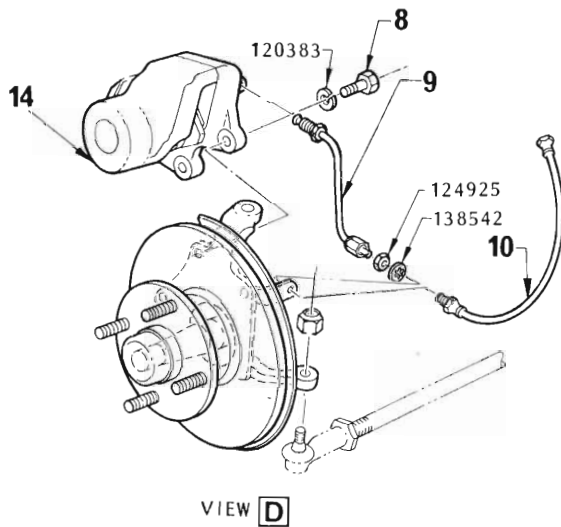
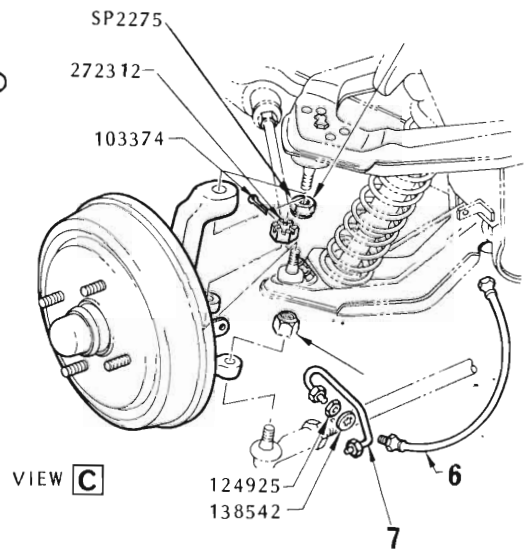
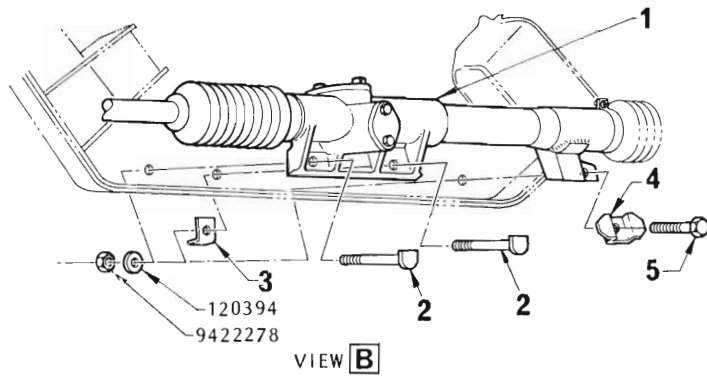
FRONT WHEEL HUB

ILLUS. REF. NO.	PART NAME	GROUP	ILLUS. REF. NO.	PART NAME	GROUP
1.	PLATE - Backing	5.001	10.	KNUCKLE - Steering	6.020
2.	DRUM ASSY. - Brake	5.809	11.	BEARING ASSY. - Front wheel, inner	6.311
3.	BOLT - Drum to hub	6.307	12.	SEAL - Front wheel bearing	6.326
4.	HUB	6.307	13.	DISC - Front brake	5.809
5.	WASHER - Spindle nut	6.321	14.	BOLT - Disc to hub	6.307
6.	COVER - Front wheel bearing	5.858	15.	CALIPER ASSY.	5.010
7.	NUT - Steering knuckle	6.020	16.	SHIELD - Front brake	5.001
8.	BEARING ASSY. - Front wheel, outer ..	6.313			
9.	BOLT - Wheel hub	5.812			



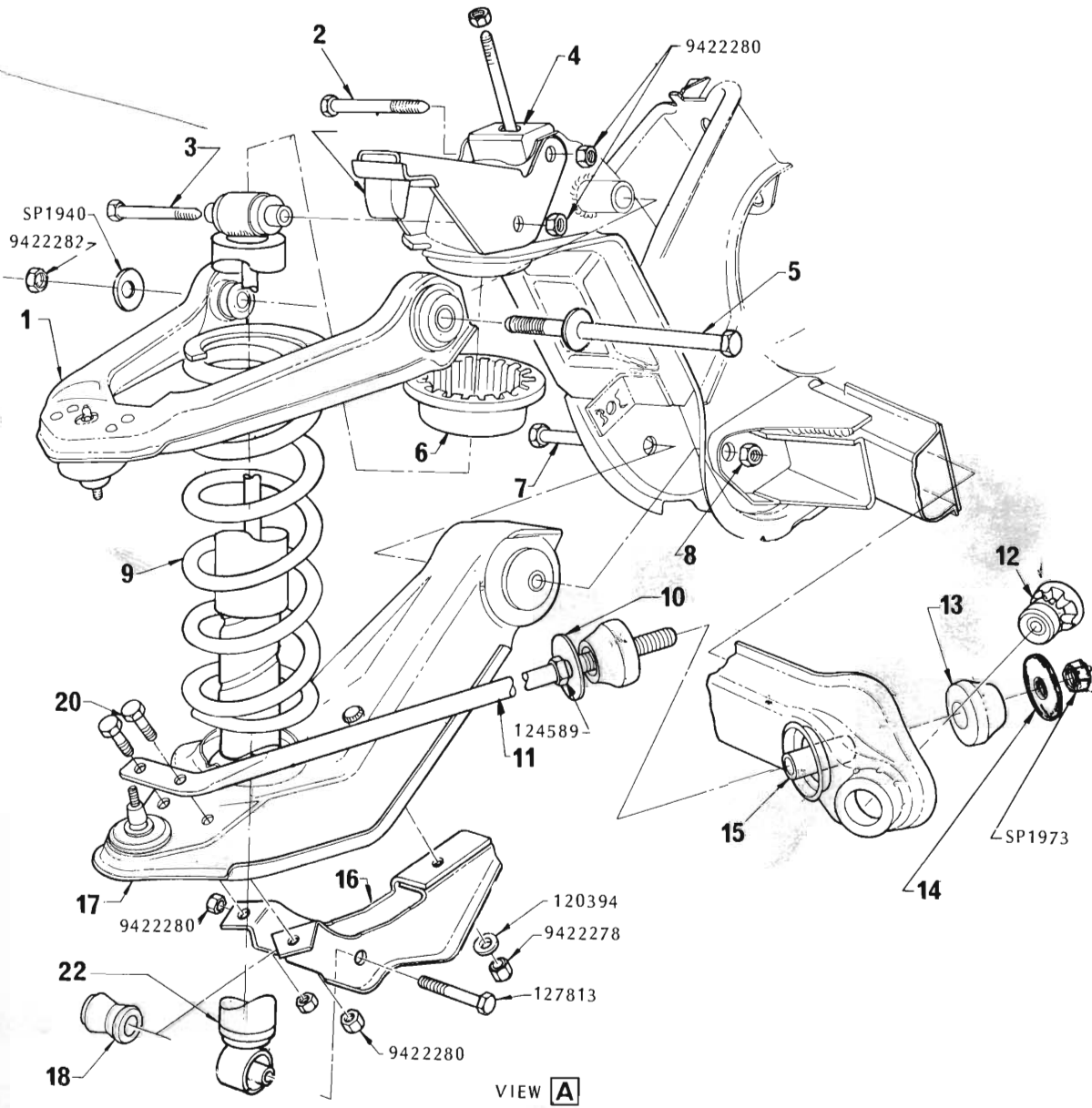
FRONT SUSPENSION and STEERING
4 Cylinder Engine

VIEW "A" refer Page 340
VIEW "B" refer Page }
VIEW "C" refer Page } 339
VIEW "D" refer Page }
VIEW "E" refer Page }



**FRONT SUSPENSION and STEERING
4 Cylinder Engine**

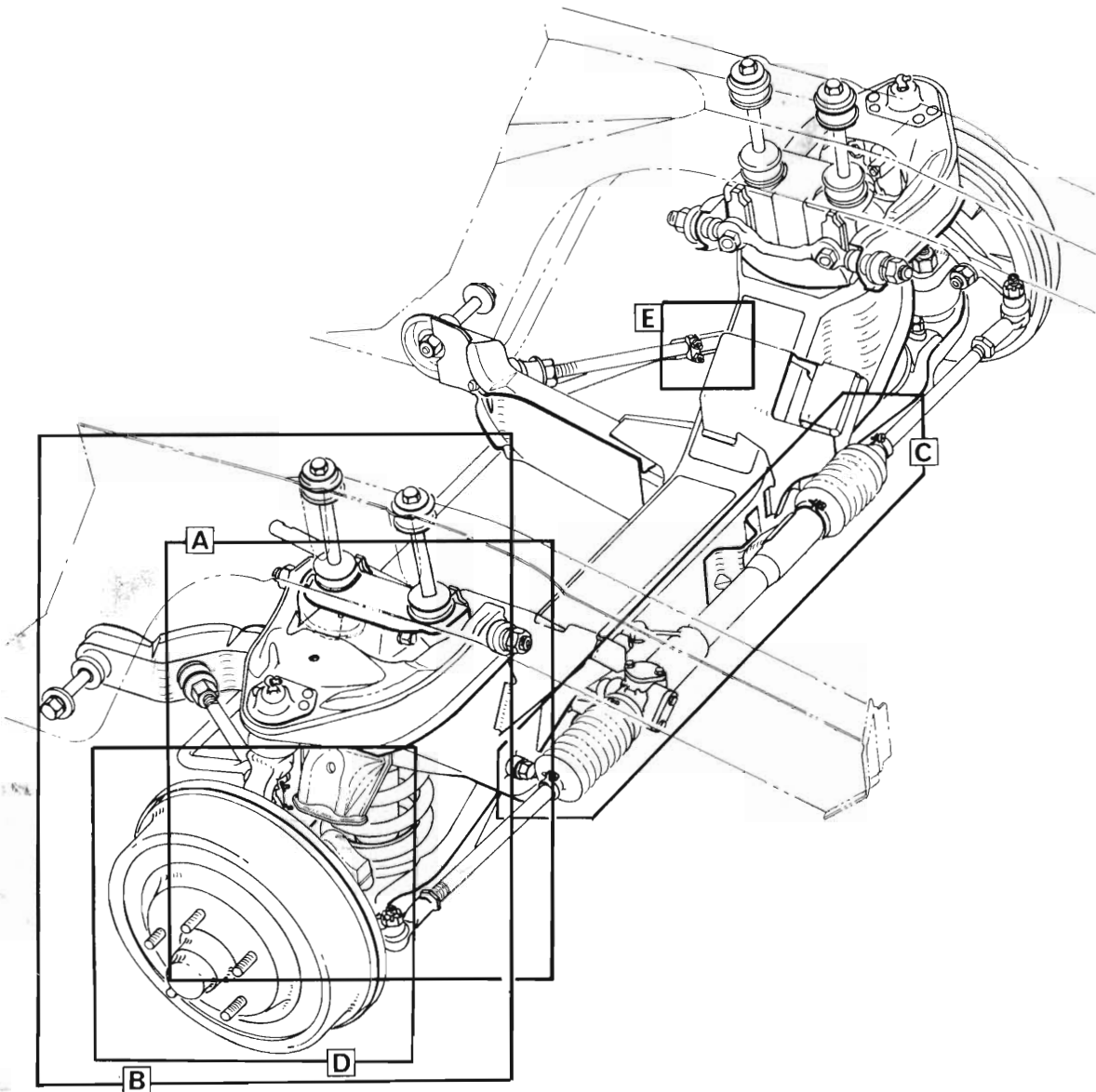
ILLUS. REF. NO.	PART NAME	GROUP	ILLUS. REF. NO.	PART NAME	GROUP
1.	STEERING GEAR ASSY.	6.508	8.	BOLT - Caliper to knuckle	5.010
2.	BOLT - Steering gear to c/member	6.509	9.	PIPE - Brake hose to caliper	4.685
3.	CLIP - Pipe to cross member	4.685	10.	HOSE - Brake	4.680
4.	PLATE - Locking	6.509	12.	WASHER - Brace	6.008
5.	BOLT - Steering gear to c/member	6.509	13.	BOLT - Brace to side member	6.008
6.	HOSE - Brake	4.680	14.	CALIPER ASSY.	5.010
7.	PIPE - Hose to brake cylinder	4.685	15.	WASHER - Mounting	6.008



FRONT SUSPENSION
4 Cylinder Engine

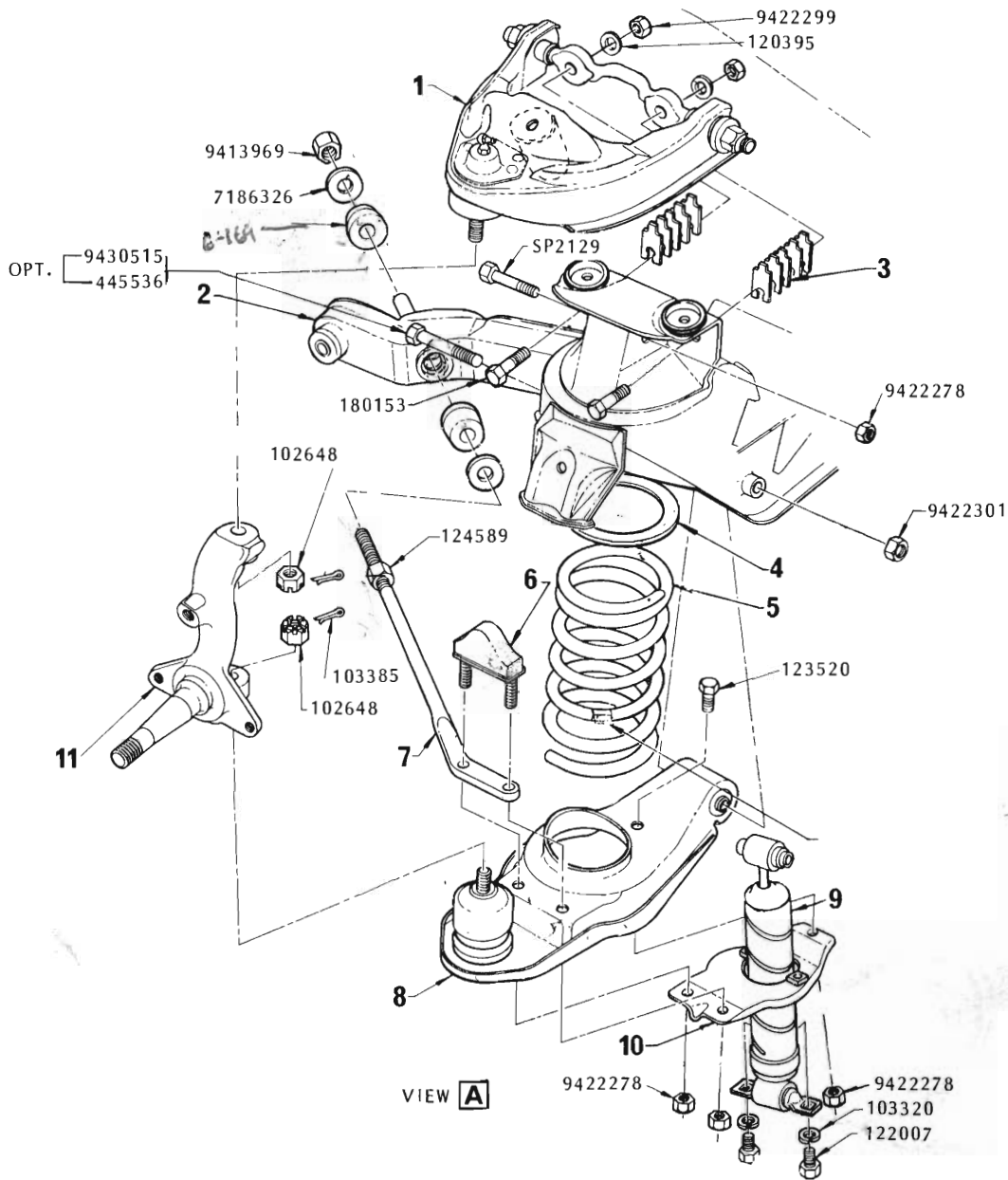
ILLUSTRATION OPPOSITE

ILLUS. REF. NO.	PART NAME	GROUP
1.	ARM ASSY. - Upper	6.168
2.	BOLT - Mounting to crossmember	6.008
3.	BOLT - Shock absorber to crossmember	7.370
4.	MOUNTING ASSEMBLY	6.008
5.	BOLT - Upper control arm	6.164
6.	INSULATOR - Front spring	6.364
7.	BOLT - Lower arm to crossmember	6.008
8.	NUT - Lower arm to crossmember bolt	6.008
9.	SPRING - Front	6.361
10.	WASHER - Insulator	6.169
11.	ROD - Front suspension control	6.169
12.	WASHER - Crossmember brace	6.008
13.	INSULATOR - Rod to crossmember brace	6.169
14.	WASHER - Insulator	6.169
15.	ROD - Front suspension control	6.169
16.	BRACKET - Outer	7.320
17.	ARM ASSY. - Lower	6.168
18.	BUSHING - Shock absorber to bracket	7.370
20.	BOLT - Anchor bracket	7.370
21.	MEMBER ASSY.	6.008
22.	SHOCK ABSORBER	7.345
23.	BUMPER	6.176



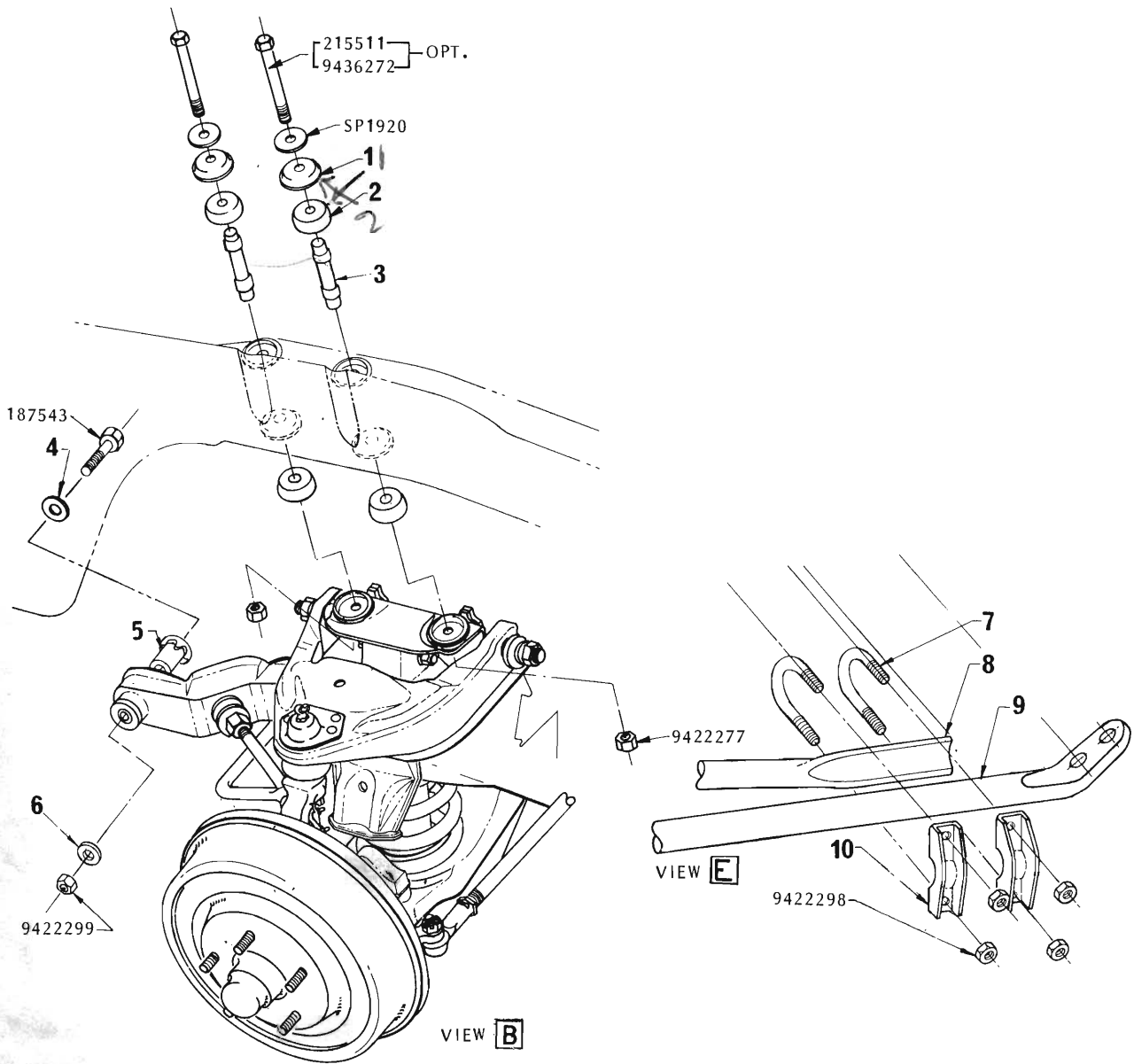
FRONT SUSPENSION and STEERING
6 Cylinder Engine

- VIEW "A" refer Page **343**
- VIEW "B" refer Page **344**
- VIEW "C" refer Page **345**
- VIEW "D" refer Page **346**
- VIEW "E" refer Page **344**



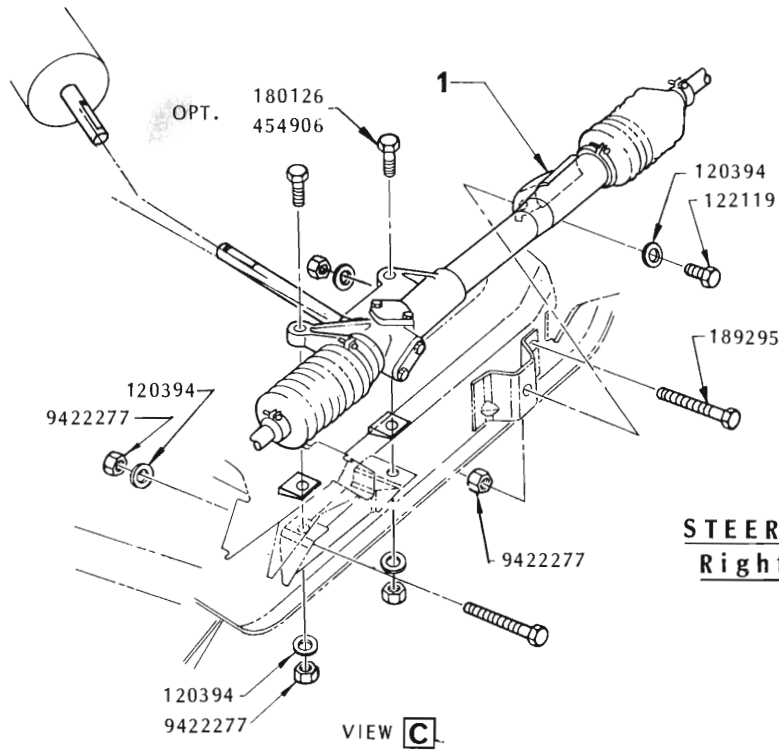
**FRONT SUSPENSION
6 Cylinder Engine**

ILLUS. REF. NO.	PART NAME	GROUP	ILLUS. REF. NO.	PART NAME	GROUP
1.	ARM ASSY. — Upper	6.168	7.	ROD — Front suspension control	6.169
2.	MEMBER ASSY. — Front suspension	6.008	8.	ARM ASSY. — Lower	6.168
3.	SHIM — Upper control shaft	6.163	9.	SHOCK ABSORBER	7.345
4.	INSULATOR — Front spring	6.364	10.	PLATE ASSY. — Front shock absorber	7.370
5.	SPRING — Front	6.361	11.	KNUCKLE — Steering	6.020
6.	BUMPER — Control arm	6.176			

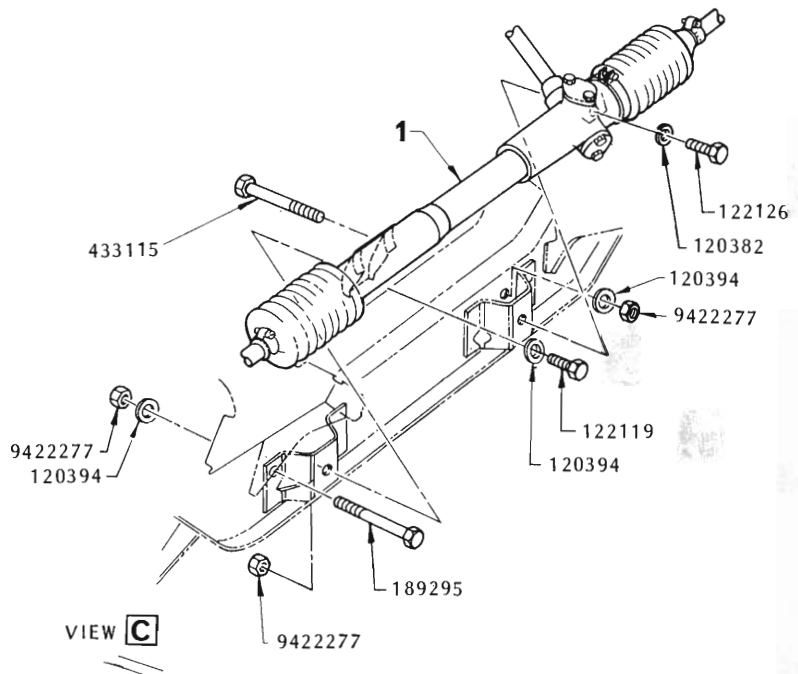


FRONT SUSPENSION
6 Cylinder Engine

ILLUS. REF. NO.	PART NAME	GROUP	ILLUS. REF. NO.	PART NAME	GROUP
1.	INSULATOR - Suspension to member	6.008	6.	WASHER	6.008
2.	RETAINER - Suspension to member	6.008	7.	'U' BOLT - Stabilizer shaft mounting	7.242
3.	SPACER - Suspension to member	6.008	8.	SHAFT - Front stabilizer	7.241
4.	WASHER	6.008	9.	ROD - Front suspension control	6.169
5.	BUSHING	6.008	10.	SEAT	7.242

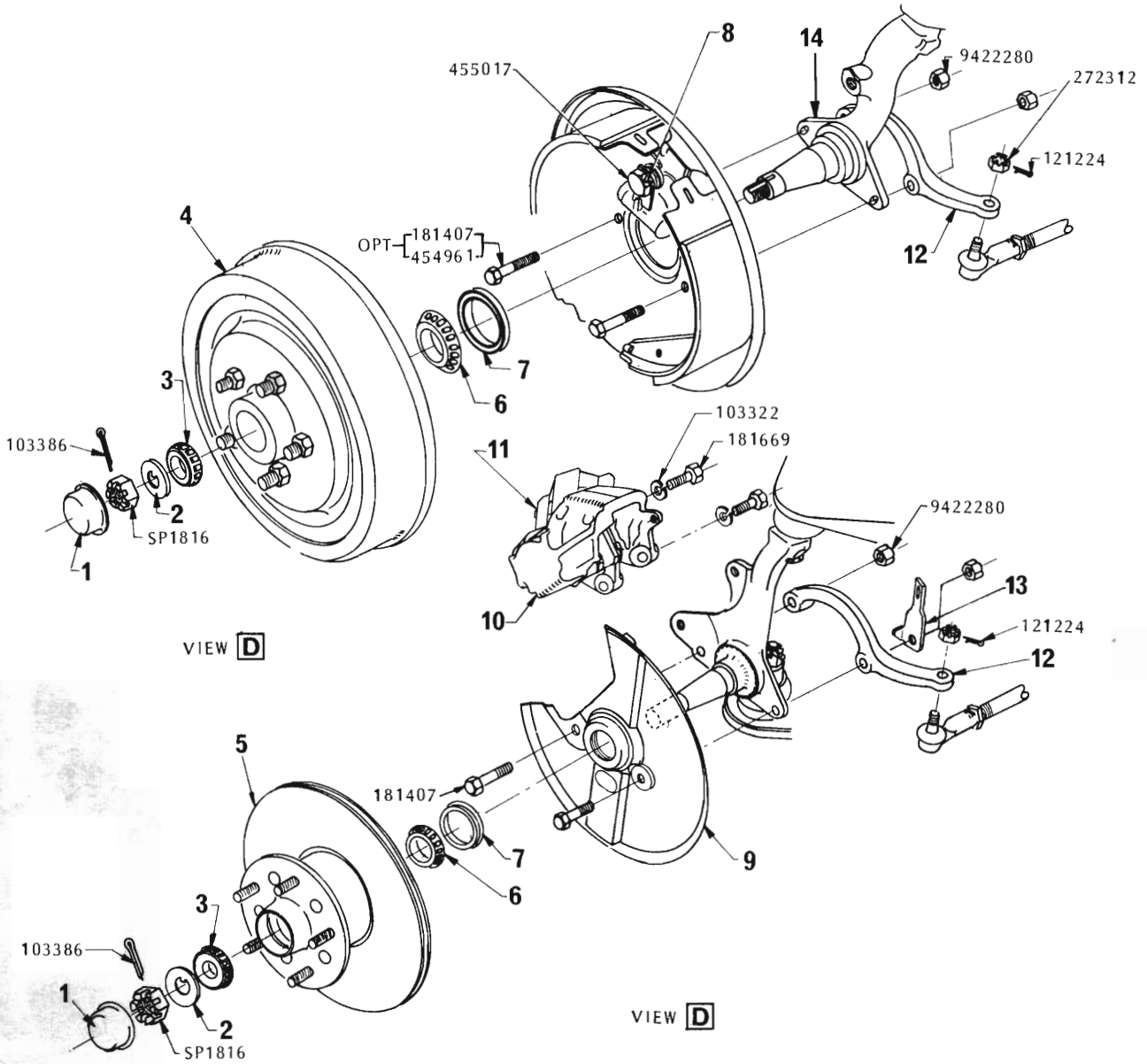


STEERING ASSEMBLY
Right Hand Drive



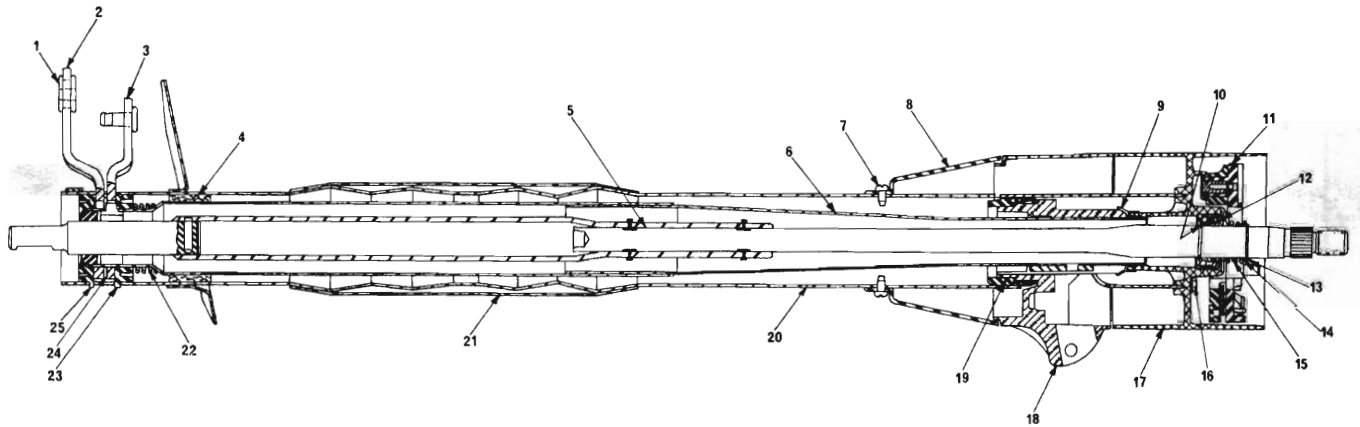
STEERING ASSEMBLY
Left Hand Drive

ILLUS.	REF. NO.	PART NAME	GROUP
1.		STEERING GEAR ASSEMBLY	6.508



FRONT WHEEL HUB

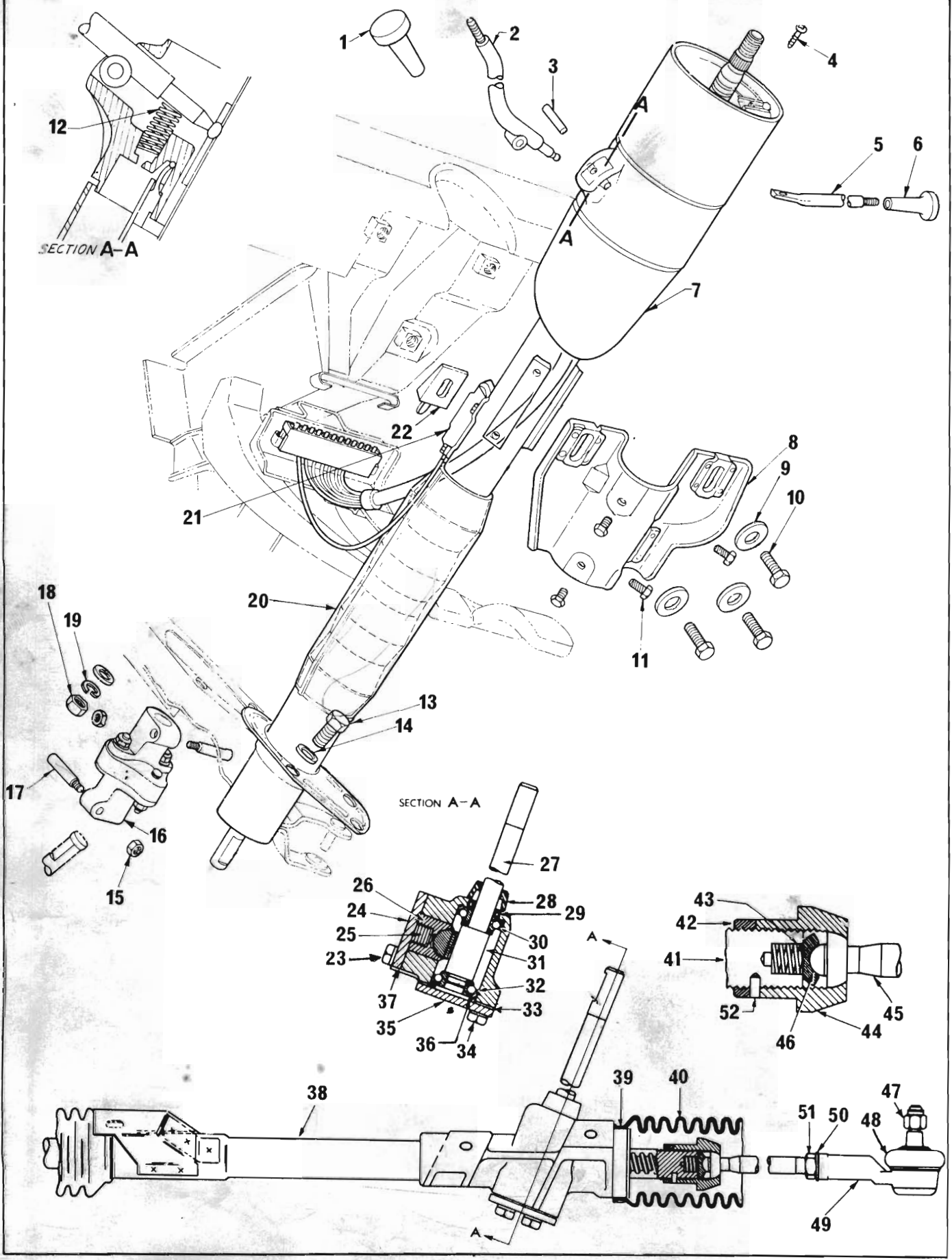
ILLUS. REF. NO.	PART NAME	GROUP	ILLUS. REF. NO.	PART NAME	GROUP
1.	COVER – Front wheel bearing	5.858	8.	LOCK PLATE – Front	5.002
2.	WASHER – Spindle nut	6.321	9.	SHIELD – Front brake	5.001
3.	BEARING ASSY. – Outer	6.313	10.	CALIPER ASSY. – Brake	5.010
4.	DRUM ASSY. – Brake	5.809	11.	SHIELD – Brake caliper splash	5.011
5.	DISC – Front brake	5.809	12.	ARM – Steering	6.103
6.	BEARING ASSY. – Inner	6.311	13.	BRACKET – Brake hose	4.681
7.	SEAL – Front wheel bearing	6.326	14.	KNUCKLE – Steering	6.020



STEERING COLUMN ASSEMBLY
Steering Column Shift

ILLUS. REF. NO.	PART NAME	GROUP	ILLUS. REF. NO.	PART NAME	GROUP
1-25	COLUMN ASSEMBLY	6.508	13.	RING	6.521
1.	INSULATOR - Transmission control	4.020	14.	WASHER - .75" x 1.00" x .0478" spring	6.521
2.	LEVER - 1st & reverse lower	4.020	15.	SPRING	6.521
3.	LEVER - 2nd & 3rd lower	4.019	16.	SCREW - Hex.hd. No.10 - 12 x 1.1/4"	8.977
4.	INSULATOR - Column outer	6.758	17.	HOUSING - Steering column	6.518
5.	SHAFT - Steering	6.758	18.	SUPPORT - Gearshift control	4.018
6.	TUBE ASSY. - Gearshift control	4.007	19.	SPACER - Support	4.018
7.	SCREW - Pan hd. No.8 - 18 x 3/8" cr. rec. (cad or zinc)	8.977	20.	JACKET ASSY. - Steering column	6.518
8.	COVER - Steering column lower	6.518	21.	COVER - Steering column jacket	6.518
9.	CUP - Housing thrust	6.518	22.	SPRING - Lower control	4.017
10.	RETAINER - Steering shaft upper bearing	6.521	23.	RETAINER - Lower lever	4.019
11.	SWITCH ASSY. - Turn signal lamp	2.895	24.	SPACER - Lower control	4.019
12.	WASHER - Spring	6.521	25.	RETAINER - Lower lever	4.020

HOLDEN "LJ" PARTS CATALOGUE

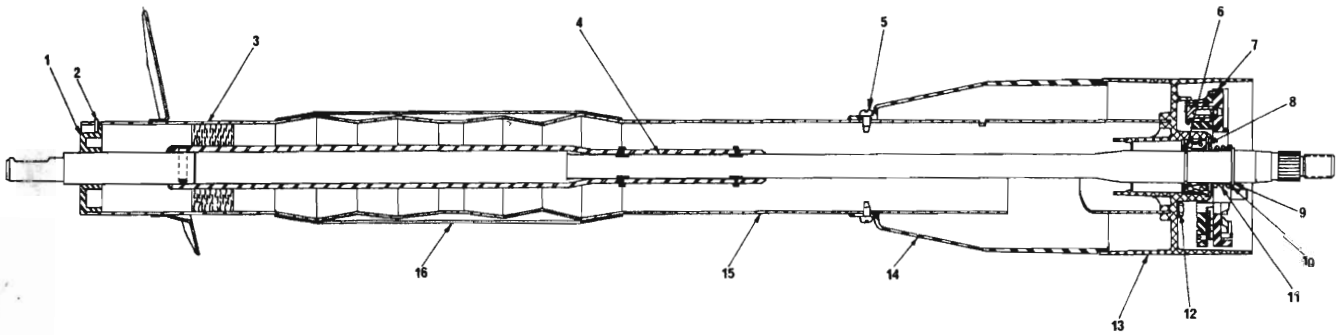


FRONT SUSP. and STEERING

STEERING COLUMN ASSEMBLY and STEERING GEAR

ILLUSTRATION OPPOSITE

ILLUS. REF. NO.	PART NAME	GROUP	ILLUS. REF. NO.	PART NAME	GROUP
1.	KNOB - Gearshift lever	4.009	24.	PLATE - Cover	6.807
2.	LEVER ASSY. - Gearshift control	4.006	25.	SPRING - Cover plate	6.807
3.	PIN - Gearshift control lever	4.007	26.	YOKE - Rack support	6.525
4.	SCREW - Pan hd. No.8 - 18 x 5/8" (cad or zinc)	8.977	27.	PINION	6.524
5.	LEVER - Turn signal switch	2.897	28.	SEAL - Pinion oil, outer	6.809
6.	KNOB - Turn signal switch lever	2.897	29.	SEAL - Pinion oil, inner	6.809
7.	COVER - Steering column lower	6.518	30.	BEARING ASSY.	6.530
8.	BRACKET & CAPSULE ASSY.	6.760	31.	SPACER - Pinion, upper	6.524
9.	WASHER - Flat, .385" x 1" x .105"	8.929	32.	BEARING ASSY.	6.530
10.	BOLT - Hex. hd. 3/8" - 16 x 1.1/8" (cad or zinc)	8.900	33.	SHIM - End cover	6.809
11.	BOLT - Hex. hd. 5/16" - 18 x .50" (black zinc)	8.900	34.	BOLT - End cover	6.807
12.	SPRING - Selector return	4.017	35.	COVER - End	6.807
13.	BOLT - Hex. hd. 1/4" - 28 x 5/8" (cad or zinc)	8.900	36.	SPACER - Pinion, lower	6.524
14.	WASHER - Flat, 5/16" x 7/8" x .065" (cad or zinc)	8.929	37.	SHIM - Cover plate	6.809
15.	NUT - Hex. self locking 1/4" - 28 (cad or zinc)	6.524	38.	HOUSING ASSY. - Rack and pinion	6.803
16.	COUPLING ASSY. - Flexible	6.524	39.	CLIP - Boot	6.255
17.	PIN - Cotter, coupling	6.524	40.	BOOT	6.255
18.	NUT - Hex. 1/4" - 28 light (cad or zinc)	8.915	41.	RACK	6.525
19.	WASHER - Lock, 1/4" light	8.931	42.	NUT - Lock	6.235
20.	JACKET ASSY.	6.518	43.	SPRING	6.235
21.	SWITCH ASSY. - Ignition and starter	2.188	44.	HOUSING - Tie rod ball	6.235
22.	WEDGE - Adjusting	6.760	45.	ROD ASSY. - Tie	6.230
23.	BOLT - Cover plate	6.807	46.	SEAT	6.235
			47.	NUT	6.233
			48.	BOOT	6.233
			49.	SOCKET ASSY.	6.233
			50.	WASHER - Lock	8.932
			51.	NUT - Lock	6.234
			52.	PIN - Lock	6.235



STEERING COLUMN ASSEMBLY
Console Shift

ILLUS. REF. NO.	PART NAME	GROUP	ILLUS. REF. NO.	PART NAME	GROUP
1-16	COLUMN ASSEMBLY	6.508	8.	WASHER - Spring	6.521
1.	BEARING - Shaft, lower	6.524	9.	RING	6.521
2.	CLIP - Bearing	6.524	10.	WASHER - .75" x 1.00" x .0478" spring ..	6.521
3.	SEAL - Column lower	6.758	11.	SPRING	6.521
4.	SHAFT - Steering	6.524	12.	SCREW - No.10 - 12 x 1.1/4"	8.977
5.	SCREW - Pan hd. No.8 - 18 x 3/8" cr.rec. (cad or zinc)	8.977	13.	HOUSING - Steering column	6.518
6.	RETAINER - Steering shaft upper bearing	6.521	14.	COVER - Steering column lower	6.518
7.	SWITCH ASSY. - Turn signal lamp	2.895	15.	JACKET ASSY. - Steering column	6.518
			16.	COVER - Steering column jacket	6.518

HOLDEN "LJ" PARTS CATALOGUE

GROUP	DESCRIPTION	MODEL	SIDE	PART No.	QTY.
6.008	MEMBER, MOUNTING, BUSHING, INSULATOR, RETAINER, BRACKET – Front suspension				
	MEMBER ASSY.	1160, 70, 1300 Eng.		9929956	1
	MEMBER ASSY.	1600, 1760 Eng.		9929916	1
	MOUNTING ASSY.	4 Cyl. Eng.		7186342	2
	ADAPTOR - Mounting	1600, 1760 Eng.		2824735	2
	NUT - Mounting	4 Cyl. Eng.		SP1912	2
	WASHER - Mounting .406" x 1.33" x .187"	4 Cyl. Eng.		6366867	2
	BOLT - Mounting to cross member $\frac{7}{16}$ " - 20 x 4.12"	4 Cyl. Eng.		2687339	4
	BOLT - Brace to side member $\frac{7}{16}$ " - 20 x 4.12"	4 Cyl. Eng.		2687339	2
	WASHER - Brace .46" x 1.90" x .12"	4 Cyl. Eng.		7205937	2
	WASHER - Brace .45" x 1.12" x .12"	4 Cyl. Eng.		7171665	2
	NUT - Hex. $\frac{7}{16}$ " - 20 twin lock	4 Cyl. Eng.		SP1917	2
	BUSHING - Brace	4 Cyl. Eng.		7211458	2
	BOLT - Lower arm to cross member	4 Cyl. Eng.		7186350	2
	MEMBER ASSY.	6 Cyl. exc. XU1 Eng.			
		RIGHT HAND DRIVE		2822119	1
	MEMBER ASSY.	XU1 Eng.		2822120	1
	MEMBER ASSY.	6 Cyl. Eng.	LEFT HAND DRIVE	9929723	1
	INSULATOR - Mounting	6 Cyl. Eng.		2814692	4
	INSULATOR - To side member	6 Cyl. Eng.		7449703	8
	RETAINER - To side member (I/D $\frac{3}{8}$ ")	6 Cyl. Eng.		7449704	8
	SPACER ASSEMBLY	6 Cyl. Eng.		2814691	4
	SPACER - To side member	6 Cyl. Eng.		2805381	4
	BUSHING - To side member	6 Cyl. Eng.		7211458	2
	WASHER - To side member	6 Cyl. Eng.		7205937	2
	BRACKET ASSY. - Power plant mounting	6 Cyl. Eng.	RIGHT HAND DRIVE	LH 2805839	1
			RH	2805840	1
		LEFT HAND DRIVE	LH	2810007	1
			RH	2810006	1
	BOLT - Lower control arm to cross member	6 Cyl. Eng.		445536	2
	NUT - Lower control arm to cross member	6 Cyl. Eng.		9422301	2
6.020	KNUCKLE – Steering				
	KNUCKLE	4 Cyl. Eng. Drum Brakes		6382726	2
	KNUCKLE	4 Cyl. Eng. Disc Brakes	LH	6378069	1
			RH	6378068	1
	NUT - Hub to knuckle	4 Cyl. Eng.		8813592	2
	NUT - Hub to knuckle	4 Cyl. Eng.		7198112	2
	KNUCKLE	6 Cyl. Eng. Drum Brakes		7448795	2
	KNUCKLE	6 Cyl. Eng. Disc Brakes	LH	7449811	1
			RH	7449812	1
6.103	ARM – Steering				
	ARM	4 Cyl. Eng.	LH	7188651	1
			RH	7188650	1
	ARM	6 Cyl. Eng.	LH	2805053	1
			RH	2805054	1
6.163	SHIM – Upper control shaft				
	SHIM - .030"	6 Cyl. Eng.		2812095	A.R.
	SHIM - .059"	6 Cyl. Eng.		2812096	A.R.
	SHIM - .120"	6 Cyl. Eng.		2812097	A.R.
6.164	BUSHING, BOLT, SHAFT, RETAINER – Upper control arm				
	BUSHING	4 Cyl. Eng.		7186348	4
	BOLT - Upper arm to cross member	4 Cyl. Eng.		7186349	2
	NUT - Upper arm to cross member bolt	4 Cyl. Eng.		9422282	2
	SHAFT - Inner	6 Cyl. Eng.		2809219	2
	BUSHING - Inner shaft	6 Cyl. Eng.		2805510	4
	RETAINER - Inner shaft bushing	6 Cyl. Eng.		2805728	4

HOLDEN "LJ" PARTS CATALOGUE

GROUP	DESCRIPTION	MODEL	SIDE	PART No.	QTY.
6.168	ARM, BALL JOINT – Control				
	ARM & BALL JOINT ASSY. – Upper control	4 Cyl. Eng.		8827306	2
	BALL JOINT KIT – Upper	4 Cyl. Eng.		2690013	2
	BOOT ASSY. – Upper ball joint	4 Cyl. Eng.		7164244	2
	ARM & BALL JOINT ASSY. – Lower control	4 Cyl. Eng.		7437243	2
	BALL JOINT KIT	4 Cyl. Eng.		(129) M37477	2
	BALL JOINT ASSY. – Lower	4 Cyl. Eng.		7216507	2
	BOOT – Lower ball joint	4 Cyl. Eng.		8815293	2
	SPRING – Boot retaining garter	4 Cyl. Eng.		6368111	2
	RING – Boot	4 Cyl. Eng.		6374432	2
	CIRCLIP – Ball joint to lower arm	4 Cyl. Eng.		7164199	2
	WASHER – Lower ball joint 1.5" x 1.9" x .064"	4 Cyl. Eng.		7164198	2
	ARM & BALL JOINT ASSY. – Upper control	6 Cyl. Eng.		9931877	2
	BALL JOINT KIT – Upper	6 Cyl. Eng.		9932810	2
	SEAL & CLAMP KIT – Upper ball joint	6 Cyl. Eng.		5679626	2
	CLAMP – Upper ball joint seal	6 Cyl. Eng.		5679627	2
	ARM & BALL JOINT ASSY. – Lower control	6 Cyl. exc. XU1 Eng.		7449708	2
	ARM & BALL JOINT ASSY. – Lower control	XU1 Eng.		2823871	2
	BALL JOINT ASSY. – Lower control	6 Cyl. Eng.		VS18831	2
	SEAL & CLAMP KIT – Lower ball joint	6 Cyl. Eng.		9943967	2
	CLAMP – Lower ball joint seal	6 Cyl. Eng.		5679629	2
				5679630	2
6.169	ROD, INSULATOR, WASHER, SPACER – Front suspension control				
	ROD	4 Cyl. Eng.		7186322	2
	BOLT – Rod to lower arm 7/16" – 20 x 1.44"	4 Cyl. Eng.		7188629	4
	ROD	6 Cyl. Eng.		7449712	2
	INSULATOR – Rod to side member	ALL		7186324	4
	WASHER – Rod to side member 1.75" x .65" x .125"	ALL		8855923	4
	SPACER – Insulator	ALL		NLA 7186325	2
6.170	BUSHING – Lower control arm				
	BUSHING	4 Cyl. Eng.		8851168	2
	BUSHING	6 Cyl. Eng.		9942588	2
				2807098	2
6.176	BUMPER – Control arm				
	BUMPER	4 Cyl. Eng.		7216271	2
	BUMPER	6 Cyl. Eng.		7423550	4-2
	BUMPER – Bolts to lower control arm	6 Cyl. Eng.		2814575	2
6.230	ROD – Steering tie				
	ROD	4 Cyl. Eng.		VS11979	2
	ROD	6 Cyl. Eng.		VS11980	2
6.233	SOCKET – Steering tie rod ball				
	SOCKET ASSY.	4 Cyl. Eng.		8819219	2
	RETAINER – Boot	4 Cyl. Eng.		6353786	2
	CIRCLIP – Boot	4 Cyl. Eng.		7124870	2
	NUT	4 Cyl. Eng.		7178657	2
	SPRING – Boot retaining	4 Cyl. Eng.		VS11660	2
	SOCKET ASSY.	6 Cyl. Eng.		9931634	2
	BOOT	6 Cyl. Eng.		2818442	2
	SPRING – Boot retaining	6 Cyl. Eng.		2809115	2
				VS11661	2
6.234	NUT – Steering gear tie rod				
	NUT – Ball socket lock	4 Cyl. Eng.		VS11217	2
	NUT – Ball socket lock	6 Cyl. Eng.		VS11218	2

Note: (129) Includes on (1) – 7216507, (1) 7164198, (1) 7164199 (1) 6368111, (1) 6374432, (1) 8815293.

HOLDEN "LJ" PARTS CATALOGUE

GROUP	DESCRIPTION	MODEL	SIDE	PART No.	QTY.
6.235	HOUSING, SEAT, SPRING, NUT, PIN – Steering tie rod ball				
	HOUSING	4 Cyl. Eng.		7216825	2
	SEAT	4 Cyl. Eng.		7216803	2
	SPRING	4 Cyl. Eng.		7190262	2
	NUT	4 Cyl. Eng.		7190261	2
	PIN	4 Cyl. Eng.		VS11216	2
	HOUSING	6 Cyl. Eng.		VS11199	2
	SEAT	6 Cyl. Eng.		7216803	2
	SPRING	6 Cyl. Eng.		7190262	2
	NUT	6 Cyl. Eng.		VS11197	2
6.255	BOOT, CLIP – Tie rod				
	BOOT - Rack, pinion end	4 Cyl. Eng.		VS11983	1
	BOOT - Rack, support end	4 Cyl. Eng.		VS11981	1
	CLIP - Boot to tie rod	4 Cyl. Eng.		6397771	2
	CLIP - Boot to housing, pinion end	4 Cyl. Eng.		7206875	1
	CLIP - Boot to housing, support end	4 Cyl. Eng.		6397772	1
	BOOT - Rack, pinion end	6 Cyl. Eng.		VS11983	1
	BOOT - Rack, support end	6 Cyl. Eng.		VS11981	1
	CLIP - Boot to tie rod	6 Cyl. Eng.		VS11205	2
	CLIP - Boot to housing, pinion end	6 Cyl. Eng.		7206875	1
	CLIP - Boot to housing, support end	6 Cyl. Eng.		6397772	1
6.307	HUB – Front wheel				
	HUB & DRUM ASSY. - Front	4 Cyl. Eng. Drum Brakes		8834396	2
	BOLT - Drum to hub	4 Cyl. Eng. Drum Brakes		6382868	4
	HUB - Front	4 Cyl. Eng. Disc Brakes		8853733	2
	BOLT - Disc to hub	4 Cyl. Eng. Disc Brakes		6389225	8
	WASHER - Disc to hub tab	4 Cyl. Eng. Disc Brakes		2693339	4
	HUB - Front	6 Cyl. Eng. Drum Brakes		2808761	2
	HUB - Front	6 Cyl. Eng. Disc Brakes		2808760	2
6.311	BEARING – Front wheel inner				
	BEARING ASSY.	4 Cyl. Eng.		6368762	2
	BEARING ASSY.	6 Cyl. Eng.		7413406	2
6.313	BEARING – Front wheel outer				
	BEARING ASSY.	4 Cyl. Eng.		6368763	2
	BEARING ASSY.	6 Cyl. Eng.		7413409	2
6.321	WASHER – Steering knuckle spindle nut				
	WASHER	4 Cyl. Eng.		6368888	2
	WASHER	6 Cyl. Eng.		7435914	2
6.326	SEAL – Front wheel bearing				
	SEAL ASSY.	4 Cyl. Eng. Drum Brakes		6368773	2
	SEAL ASSY.	4 Cyl. Eng. Disc Brakes		6389292	2
	SEAL ASSY.	6 Cyl. Eng.		2829925	2
6.361	SPRING – Front				
	SPRING	1160, 70, 1300 Eng.	LH	7198455	1
			RH	7198454	1
	SPRING	1600, 1760 Eng.		8818632	2
	SPRING - Regular	311, 369, 569		2810428	2
	SPRING - Heavy Duty	311, 369, 569		2823582	2
	SPRING - (Lt. Green) Free length 10.95"	911		2823584	2
6.364	INSULATOR – Front spring				
	INSULATOR	4 Cyl. Eng.		7216275	2
	INSULATOR	6 Cyl. Eng.		2805717	2

HOLDEN "LJ" PARTS CATALOGUE

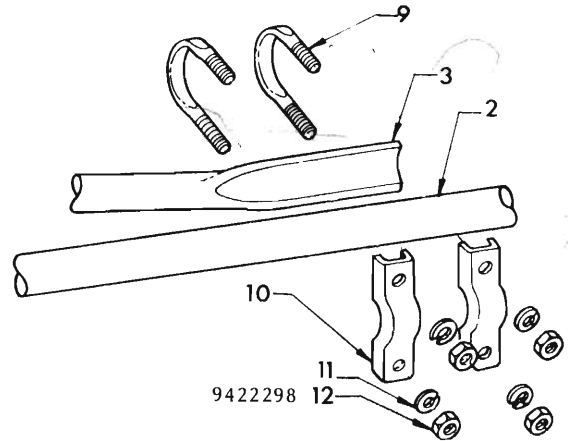
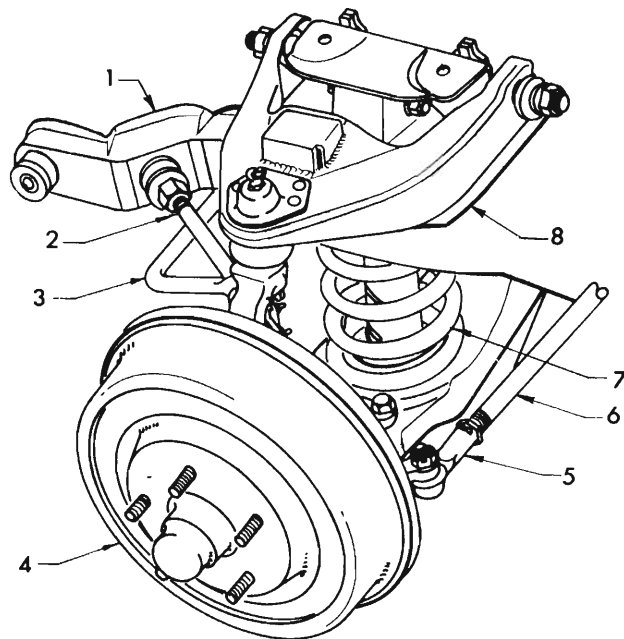
GROUP	DESCRIPTION	MODEL	SIDE	PART No.	QTY.
6.508 COLUMN, GEAR – Steering					
	COLUMN ASSY.	4 Cyl. Eng.		9929032	1
	GEAR ASSY.	4 Cyl. Eng.		7447875	1
	COLUMN ASSY.	6 Cyl. Eng. Console Shift			
		RIGHT HAND DRIVE		9929031	1
	COLUMN ASSY.	(M) 6 Cyl. Eng. Column Shift			
		RIGHT HAND DRIVE		9929029	1
	COLUMN ASSY.	(A) 6 Cyl. Eng. Column Shift			
		RIGHT HAND DRIVE		9933947	1
	GEAR ASSY.	6 Cyl. Eng.	RIGHT HAND DRIVE	7449333	1
	COLUMN ASSY.	6 Cyl. Eng.	LEFT HAND DRIVE	2819868	1
	GEAR ASSY.	6 Cyl. Eng.	LEFT HAND DRIVE	2810750	1
	NUT - Hex. 3/8" - 24 twinlock	ALL		SP1912	A.R.
	BOLT - Steering column to dash panel	6 Cyl. Eng.	RIGHT HAND DRIVE	SP2157	4
	SHIM - Steering gear & bracket to column - Stamped No. 1	6 Cyl. Eng.		9933841	A.R.
	SHIM - Steering gear & bracket to column - Stamped No. 2	6 Cyl. Eng.		9933842	A.R.
6.509 BOLT, PLATE – Steering gear to cross member					
	BOLT - 3.66" long	4 Cyl. Eng.		7192014	1
	BOLT - 4.00" long	4 Cyl. Eng.		7192009	2-1
	PLATE - Locking	4 Cyl. Eng.		6396581	1
6.513 WHEEL – Steering					
	WHEEL ASSY. - Black	Exc. GTR	RIGHT HAND DRIVE	9930927BA	1
	WHEEL ASSY. - Brown	Exc. GTR	RIGHT HAND DRIVE	9930927CJ	1
	WHEEL ASSY. - Olive Green	Exc. GTR	RIGHT HAND DRIVE	9930927CE	1
	WHEEL ASSY. - Dark Ash	Exc. GTR	RIGHT HAND DRIVE	9930927DD	1
	WHEEL ASSY. - Chestnut	Exc. GTR	RIGHT HAND DRIVE	9930927DG	1
	WHEEL ASSY. - Black		LEFT HAND DRIVE	7433126BA	1
	WHEEL ASSY. - Brown		LEFT HAND DRIVE	7433126CJ	1
	WHEEL ASSY. - Olive Green		LEFT HAND DRIVE	7433126CE	1
	WHEEL ASSY. - Dark Ash		LEFT HAND DRIVE	7433126DD	1
	WHEEL ASSY. - Chestnut		LEFT HAND DRIVE	7433126DG	1
	WHEEL ASSY.	GTR		2847164	1
6.518 HOUSING, JACKET, COVER – Steering column					
	HOUSING	(M)	RIGHT HAND DRIVE	2813553	1
	HOUSING	(A) Column Shift	RIGHT HAND DRIVE	2822617	1
	HOUSING	(A) Console Shift	RIGHT HAND DRIVE	2813553	1
	CUP - Housing thrust	(M) 3 Speed Trans.	RIGHT HAND DRIVE	7804413	1
	JACKET ASSY.	4 Cyl. Eng.		9929101	1
	JACKET ASSY.	6 Cyl. Eng. Column Shift			
		RIGHT HAND DRIVE		9929035	1
	JACKET ASSY.	6 Cyl. Eng. Console Shift			
		RIGHT HAND DRIVE		9929036	1
	JACKET ASSY.	6 Cyl. Eng.	LEFT HAND DRIVE	2819929	1
	COVER - Gearshift column, upper	6 Cyl. Eng.	LEFT HAND DRIVE	7433265	1
	COVER - Steering column, lower	Column Shift	RIGHT HAND DRIVE	2818273	1
	COVER - Steering column, lower	Console Shift	RIGHT HAND DRIVE	2818274	1
	COVER - Steering column lower	6 Cyl. Eng.	LEFT HAND DRIVE	7448474	1
	COVER - Steering column jacket	ALL		7433352	1
	STRAP - Jacket	(M) 3 Speed Trans. 6 Cyl. Eng.		2823064	1
6.521 BEARING – Steering shaft upper					
	BEARING ASSY.	ALL		7800269	1
	RETAINER	ALL		5694191	1
	RING	ALL		5699603	1
	SPRING		RIGHT HAND DRIVE	7804771	1
	WASHER - Spring	ALL		7800580	A.R.
	WASHER - .75" x 1.00" x .0478" spring		RIGHT HAND DRIVE	SP2113	1
	WASHER - Wave		LEFT HAND DRIVE	7800581	1

HOLDEN "LJ" PARTS CATALOGUE

GROUP	DESCRIPTION	MODEL	SIDE	PART No.	QTY.
6.524	SHAFT, COUPLING, UNIVERSAL JOINT, PINION – Steering				
	SHAFT	4 Cyl. Eng.		2818142	1
	SHAFT	6 Cyl. Eng.	RIGHT HAND DRIVE	2818141	1
			LEFT HAND DRIVE	2813441	1
	COUPLING ASSY. Flexible		RIGHT HAND DRIVE	2814245	1
	COUPLING <i>RUBBER</i>	ALL		7196372	1
	FLANGE	ALL		7196373	2
	BOLT – Coupling 5/16" UNF 1.80"		RIGHT HAND DRIVE	7196276	4
	NUT – Hex. friction lock 5/16" – 24		RIGHT HAND DRIVE	9905264	4
	PIN – Coupling cotter <i>91107960</i>		RIGHT HAND DRIVE	211440	2
	NUT – Hex. 1/4" – 28 self locking		RIGHT HAND DRIVE	SP1229	2
	UNIVERSAL JOINT		LEFT HAND DRIVE	2813724	1
	PINION	4 Cyl. Eng.		VS11195	1
	PINION	6 Cyl. Eng.	RIGHT HAND DRIVE	VS11196	1
			LEFT HAND DRIVE	VS11221	1
	SPACER – Pinion upper – small	ALL		VS11214	1
	SPACER – Pinion upper – large	ALL		VS11215	1
	BEARING – Shaft lower	Column Shift	RIGHT HAND DRIVE	2806420	1
	BEARING – Shaft lower	Console Shift		2819931	1
	CLIP – Bearing	Console Shift		2811164	1
6.525	RACK, YOKE – Steering gear				
	RACK	4 Cyl. Eng.		VS11736	1
	YOKE – Rack support	4 Cyl. Eng.		VS11202	1
	RACK	6 Cyl. Eng.	RIGHT HAND DRIVE	VS11194	1
			LEFT HAND DRIVE	VS11220	1
	YOKE – Rack support	6 Cyl. Eng.		VS11202	1
6.530	BEARING – Steering gear				
	BEARING	ALL		7156338	2
6.758	COVER, SEAL, INSULATOR – Steering column				
	COVER – Column to dash	4 Cyl. Eng.		7448395	1
	SEAL – Column to dash	4 Cyl. Eng.		7448396	1
	COVER – Column to dash	6 Cyl. Eng.	RIGHT HAND DRIVE	2823563	1
			LEFT HAND DRIVE	7448395	1
	SEAL – Column to dash		LEFT HAND DRIVE	7448396	1
	INSULATOR – Column outer	Column Shift	RIGHT HAND DRIVE	2811742	1
	SEAL – Column lower	Console Shift		2824649	1
6.760	BRACKET and CAPSULE – Steering column support				
	BRACKET & CAPSULE ASSY.		RIGHT HAND DRIVE	2822994	1
	BRACKET ASSY.		LEFT HAND DRIVE	7448372	1
	WEDGE – Adjusting	ALL		1374446	1
6.761	BRACE – Instrument panel to dash				
	BRACE	4 Cyl. Eng.		2817970	1
	BRACE	6 Cyl. Eng.	RIGHT HAND DRIVE	2817972	1
			LEFT HAND DRIVE	2810532	1
6.803	HOUSING – Steering gear				
	HOUSING ASSY. – Rack	4 Cyl. Eng.		VS11192	1
	HOUSING ASSY. – Rack	6 Cyl. Eng.	RIGHT HAND DRIVE	VS11193	1
			LEFT HAND DRIVE	VS11219	1
6.807	PLATE, SPRING – Steering gear housing				
	PLATE – Pinion cover	ALL		7216575	1
	PLATE – Yoke support cover	ALL		6397765	1
	SPRING – Yoke support cover plate	ALL		VS11203	1
	BOLT – Cover plate	ALL		VS11213	4

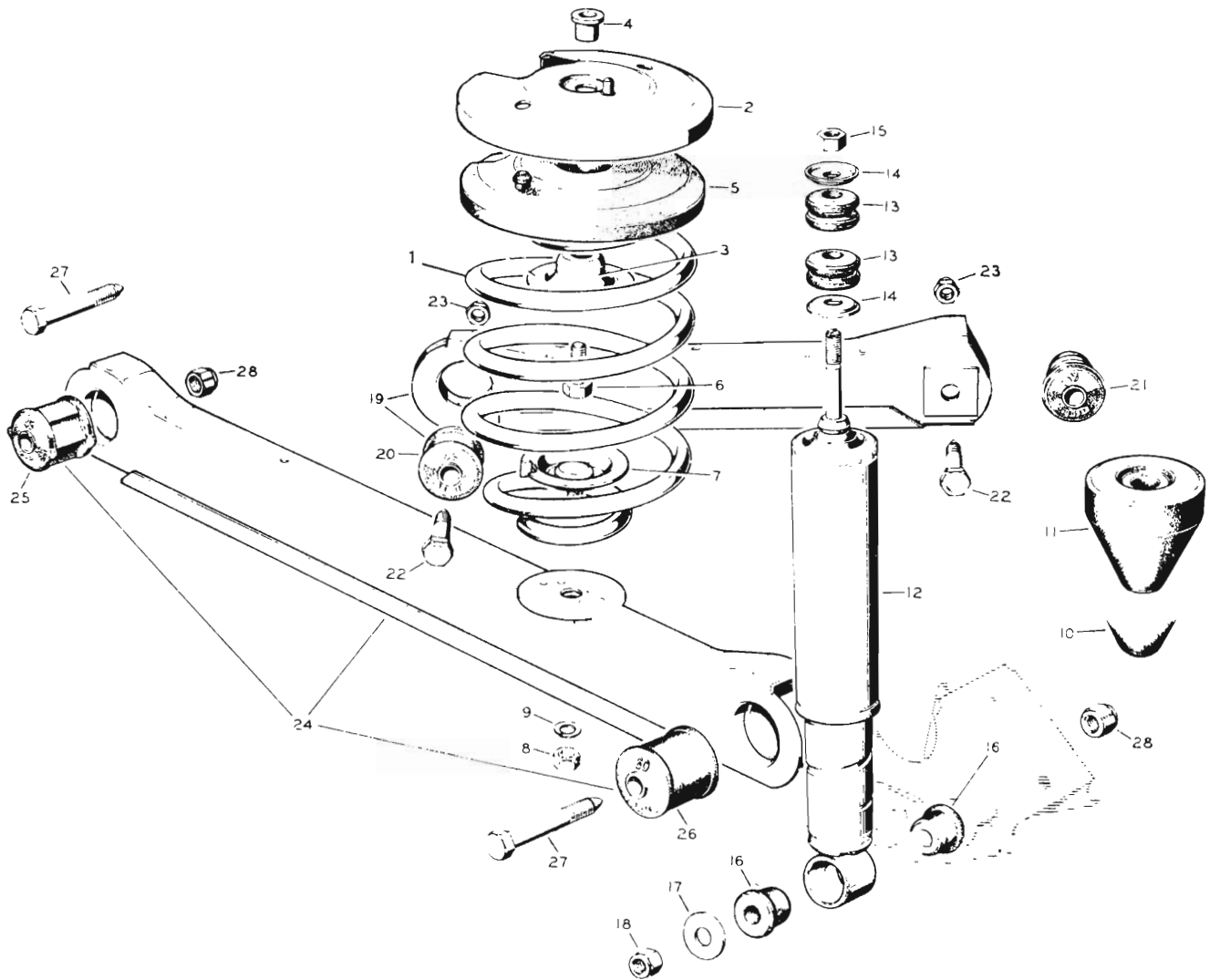
HOLDEN "LJ" PARTS CATALOGUE

GROUP	DESCRIPTION	MODEL	SIDE	PART No.	QTY.
6.809	SEAL, SHIM, GASKET – Steering gear housing cover and plate				
	SEAL - Pinion oil	ALL		6397763	1
	SHIM - Pinion cover plate .0024"	ALL		6397760	A.R.
	SHIM - Pinion cover plate .005"	ALL		6397761	A.R.
	SHIM - Pinion cover plate .010"	ALL		VS11210	A.R.
	SHIM - Pinion cover plate .015"	ALL		VS11211	A.R.
	SHIM - Pinion cover plate .020"	ALL		VS11212	A.R.
	GASKET - Pinion cover plate	ALL		7216579	1
	SEAL - Pinion dust	ALL		7171275	1
	SHIM - Yoke support plate .0024"	ALL		6397767	A.R.
	SHIM - Yoke support plate .005"	ALL		6397768	A.R.
	SHIM - Yoke support plate .010"	ALL		VS11206	A.R.
	SHIM - Yoke support plate .015"	ALL		VS11207	A.R.
	SHIM - Yoke support plate .020"	ALL		VS11208	A.R.
	GASKET - Yoke support plate	ALL		VS11209	1



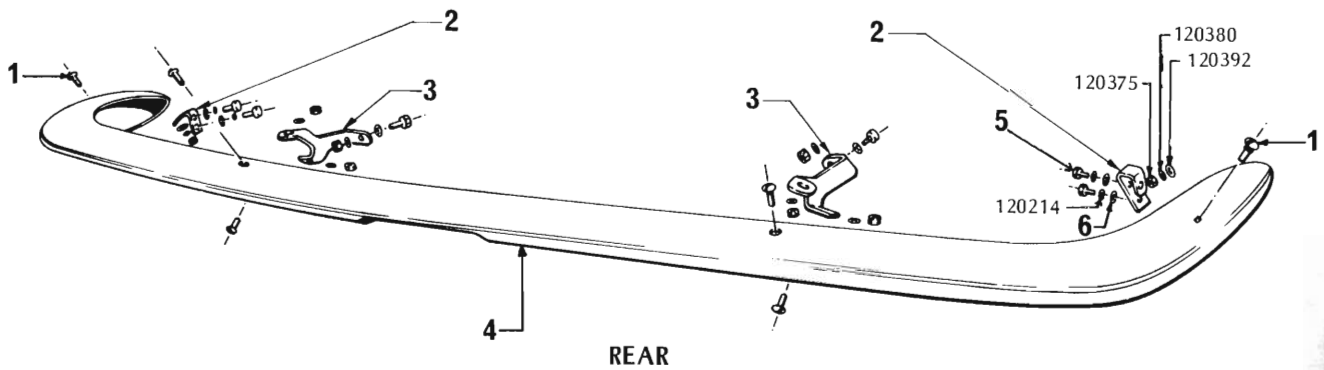
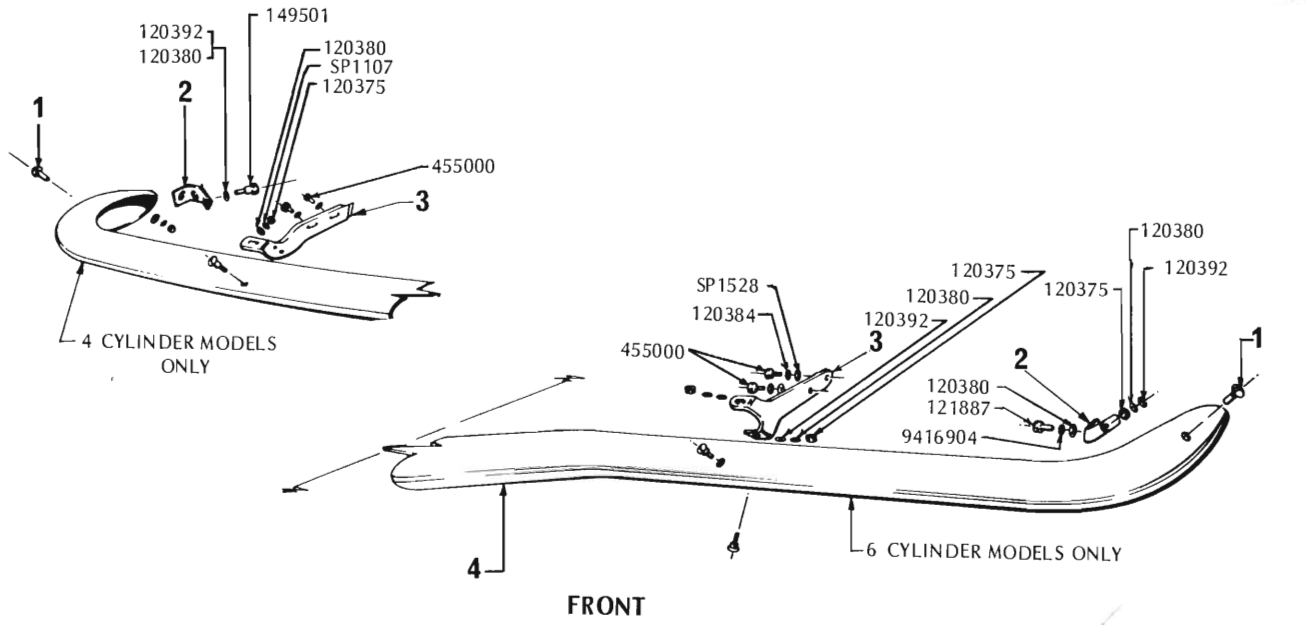
FRONT STABILISER

ILLUS. REF. NO.	PART NAME	GROUP	ILLUS. REF. NO.	PART NAME	GROUP
1.	MEMBER ASSY.	6.008	7.	SPRING — Front	6.361
2.	ROD — Control	6.169	8.	ARM ASSY. — Upper	6.168
3.	SHAFT — Stabiliser	7.241	9.	“U” BOLT	7.242
4.	DRUM ASSY. — Brake	5.809	10.	SEAT	7.242
5.	SOCKET ASSY.	6.233	11.	WASHER	8.931
6.	TIE ROD	6.230	12.	NUT	8.915



REAR SUSPENSION

ILLUS. REF. NO.	PART NAME	GROUP	ILLUS. REF. NO.	PART NAME	GROUP
1.	SPRING	7.503	16.	BUSHING - Lower	7.37 0
2.	SEAT	7.545	17.	WASHER - Shock absorber	7.37 0
3.	RETAINER - Upper	7.552	18.	NUT	7.37
4.	BUSHING	7.524	19.	ARM ASSY. - Upper	5.38
5.	INSULATOR	7.545	20.	BUSHING - Upper front	5.38
6.	BOLT	7.552	21.	BUSHING - Upper rear	5.38
7.	RETAINER - Lower	7.552	22.	BOLT - Upper arm	5.38
8.	NUT	8.915	23.	NUT	5.38
9.	WASHER	8.931	24.	ARM ASSY. - Lower	5.38
11.	STOP	5.395	25.	BUSHING - Lower front	5.38
12.	SHOCK ABSORBER	7.345	26.	BUSHING - Lower rear	5.38
13.	BUSHING - Upper	7.370	27.	BOLT - Lower arm	5.38
14.	PLATE	7.370	28.	NUT	5.38
15.	NUT - Shock absorber	7.370			



BUMPER BARS

ILLUS. REF. NO.	PART NAME	GROUP
1.	BOLT	7.852
2.	BRACKET - Outer	7.836
3.	BRACKET - Inner	7.836
4.	BAR - Bumper face	7.831
5.	BOLT - Bar attaching	7.836
6.	WASHER - Bar bolt	7.836

NOTES

HOLDEN "LJ" PARTS CATALOGUE

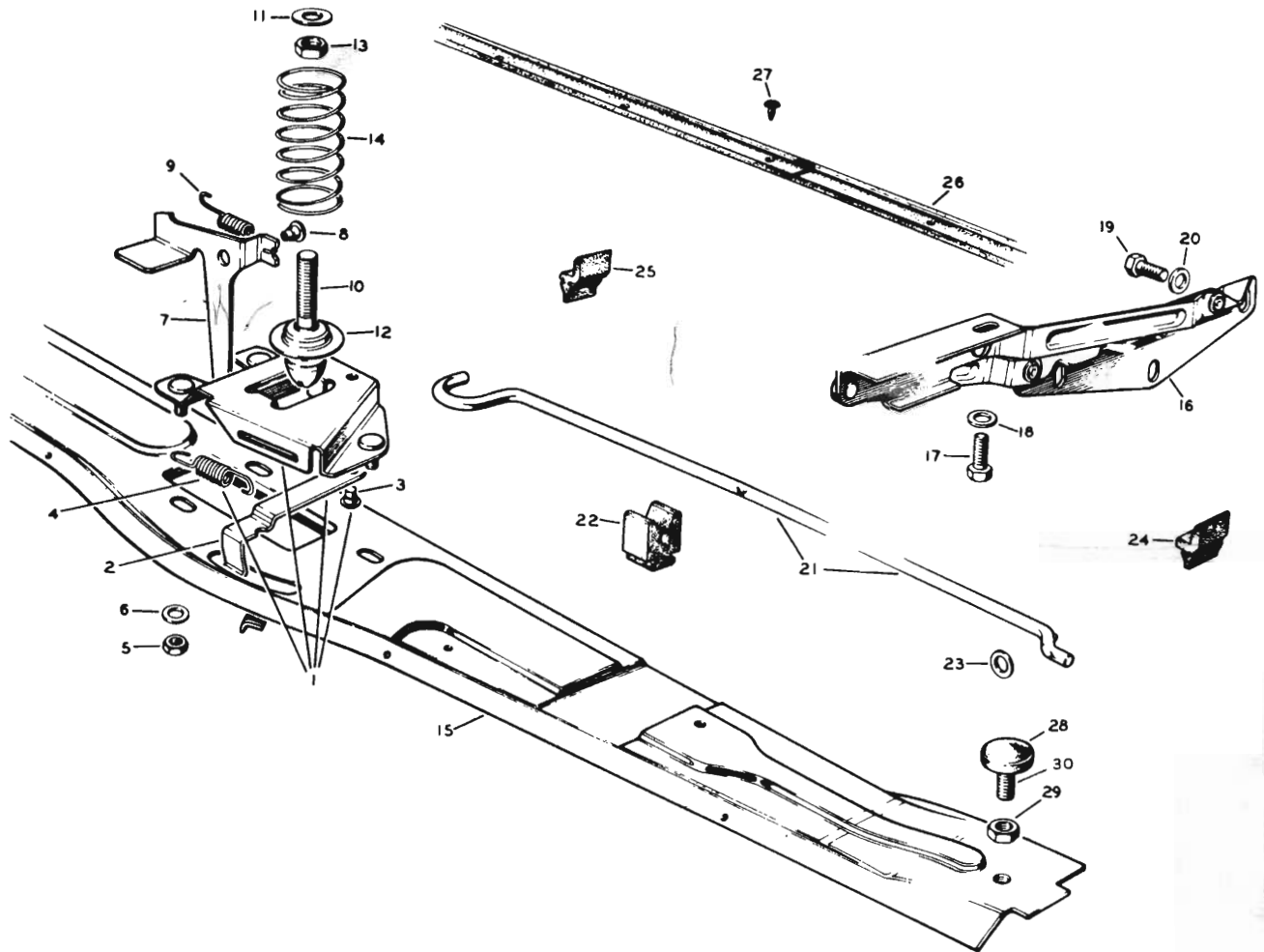
GROUP	DESCRIPTION	MODEL	SIDE	PART No.	QTY.
7.241	SHAFT – Front stabiliser				
	SHAFT	911		2805062	1
7.242	SEAT, "U" BOLT – Front stabiliser shaft				
	SEAT	911		2814009	4
	NUT – "U" Bolt	911		9422298	8
	"U" BOLT	911		2815378	4
7.345	SHOCK ABSORBER				
	SHOCK ABSORBER PACKAGE – Front – Green(Armstrong)	4 Cyl. Eng.		⁽⁶¹⁾ 2820017	2
	SHOCK ABSORBER PACKAGE – Front – Blue(Monroe Wylie)	4 Cyl. Eng.		⁽⁶¹⁾ 2812457	2
	SHOCK ABSORBER PACKAGE – Front – Regular ..	311, 369, 569 <i>671</i>		2823788	2
	SHOCK ABSORBER PACKAGE – Front – Regular ..	911		2823792	2
	SHOCK ABSORBER PACKAGE – Front – Heavy Duty	311, 369, 569		2823792	2
	SHOCK ABSORBER PACKAGE – Rear – Green(Armstrong)	4 Cyl. Eng.		⁽⁶¹⁾ 2820018	2
	SHOCK ABSORBER PACKAGE – Rear – Red Brown(Monroe Wylie)	4 Cyl. Eng.		⁽⁶¹⁾ 2824432	2
	SHOCK ABSORBER PACKAGE – Rear – Regular ..	311, 369, 569		2823790	2
	SHOCK ABSORBER PACKAGE – Rear – Regular ..	911		2823794	2
	SHOCK ABSORBER PACKAGE – Rear – Heavy Duty	311, 369, 569		2823794	2
7.370	BRACKET, BUSH, SPACER, PLATE – Shock absorber				
	BRACKET – Front shock absorber anchor, inner	4 Cyl. Eng.		7216476	2
	BRACKET – Front shock absorber anchor, outer	4 Cyl. Eng.		7216477	2
	BUSH – Front, lower	4 Cyl. Eng.		2815193	2
	SPACER – Front anchor bracket	4 Cyl. Eng.		7186276	2
	BOLT – Anchor bracket to control arm	4 Cyl. Eng.		7186381	2
	BOLT – Front shock absorber to cross member $\frac{7}{16}$ " – 20 x 3.76"	4 Cyl. Eng.		2687339	2
	NUT – Hex. self locking $\frac{7}{16}$ " – 20	4 Cyl. Eng.		9422280	2
	BOLT – Front shock absorber to cross member	6 Cyl. Eng.		SP2129	2
	NUT – Hex. self locking $\frac{3}{8}$ " – 24	6 Cyl. Eng.		9422278	2
	PLATE ASSY. – Front shock absorber	6 Cyl. Eng.		2810353	2
	PLATE – Rear shock absorber	ALL		7437268	4
	BUSH – Rear, lower	4 Cyl. Eng.		6375128	4
	BUSH – Rear, lower	6 Cyl. Eng.		2815193	2
	BUSH – Rear, upper	ALL		7437267	4
	NUT – Rear shock absorber to axle	4 Cyl. Eng.		9422278	2
	NUT – Rear shock absorber to axle	6 Cyl. Eng.		9422282	2
	NUT – Rear shock absorber to upper mounting	ALL		SP1989	2
7.503	SPRING – Rear				
	SPRING	4 Cyl. Eng.		8818815	2
	SPRING – Regular	311, 369, 569		2810429	2
	SPRING – Heavy Duty	311, 369, 569		2823583	2
	SPRING	911		2823585	2
7.524	BUSH – Rear spring				
	BUSH – Upper	ALL		7188529	2
7.535	BUMPER – Rear axle				
	BUMPER – 2 $\frac{1}{8}$ " long	6 Cyl. Eng.		2819315	2
	RETAINER – Rear axle bumper	6 Cyl. Eng.		7449955	2
7.545	SEAT – Rear spring				
	SEAT ASSY. – Upper (Locating lug .82" long)	ALL		2694402	2
	SEAT ASSY. – Upper (Locating lug .30" long)	ALL		8827497	2
	INSULATOR – Rear spring	ALL		8827498	2

Note: ⁽⁶¹⁾ Replacement of single shock absorbers must be effected by the fitment of similar paint colour as assembly.

HOLDEN "LJ" PARTS CATALOGUE

GROUP	DESCRIPTION	MODEL	SIDE	PART No.	QTY.
7.552	RETAINER – Rear spring				
	RETAINER – Upper	ALL		7188537	2
	RETAINER ASSY. – Lower	ALL		7198174	2
	BOLT – Spring to side member	ALL		7211237	2
	NUT – Retainer to lower arm	4 Cyl. Eng.		9422278	2
7.629	CLAMP, BRACKET – Spare wheel				
	CLAMP	211, 411, 469, 611, 811, 869		7432393	1
	BRACKET – Support	311, 369, 569 4.50" wheel		2809373	1
	BRACKET – Clamp	311, 369, 569, 911 5.50" wheel		2809372	1
7.632	BOLT – Spare wheel				
	BOLT	211, 411, 469, 611, 811, 869		7425726	1
	BOLT	311, 369, 569 4.50" wheel		7448656	1
	BOLT	311, 369, 569, 911 5.50" wheel		2809617	1
7.633	NUT – Spare wheel				
	NUT – Mounting wing	311, 369, 569 4.50" wheel		SP2338	1
	NUT – Mounting	311, 369, 569, 911 5.50" wheel		7430789	1
7.796	BUMPER – Front licence plate mounting				
	BUMPER	ALL		7427353	2
7.831	BAR – Bumper face				
	BAR – Front	211, 411, 469, 611, 811, 869		7440000	1
	BAR – Front	311, 369, 569, 911		7449979	1
	BAR – Rear	ALL		7449691	1
7.836	BRACKET – Bumper bar				
	BRACKET – Front, inner	211, 411, 469, 611, 811, 869	LH	⁽¹¹²⁾ 7187307	1
			RH	⁽¹¹²⁾ 7187306	1
	BRACKET – Front, inner	211, 411, 469, 611, 811, 869	LH	⁽¹¹³⁾ 9929765	1
			RH	⁽¹¹³⁾ 9929764	1
	BRACKET – Front, inner	311, 369, 569, 911	LH	⁽¹¹²⁾ 2806465	1
			RH	⁽¹¹²⁾ 2806466	1
	BRACKET – Front, inner	311, 369, 569, 911	LH	⁽¹¹³⁾ 9929607	1
			RH	⁽¹¹³⁾ 9929608	1
	BRACKET – Front, outer	211, 411, 469, 611, 811, 869	LH	7187457	1
			RH	7187456	1
	BRACKET – Front, outer	311, 369, 569, 911	LH	2806467	1
			RH	2806468	1
	BRACKET ASSY. – Rear, inner	ALL	LH	2816223	1
			RH	2816222	1
	BRACKET – Rear, outer	ALL	LH	2806297	1
			RH	2806296	1
	BOLT – Bumper bar attaching	ALL		7432904	10-6
	WASHER – Bumper bar bolt	ALL		3713379	10-6
7.852	BOLT – Bumper bar face				
	BOLT	ALL		7423203	12-10
7.870	SHIELD – Front bumper stone				
	SHIELD	311, 369, 569, 911		2819449	1
	SCREW – Rd. hd. tap. No. 8 – 18 x .50	311, 369, 569, 911		SP2430	4
	NUT – Shield to hood lock support	311, 369, 569, 911		SP1548	1

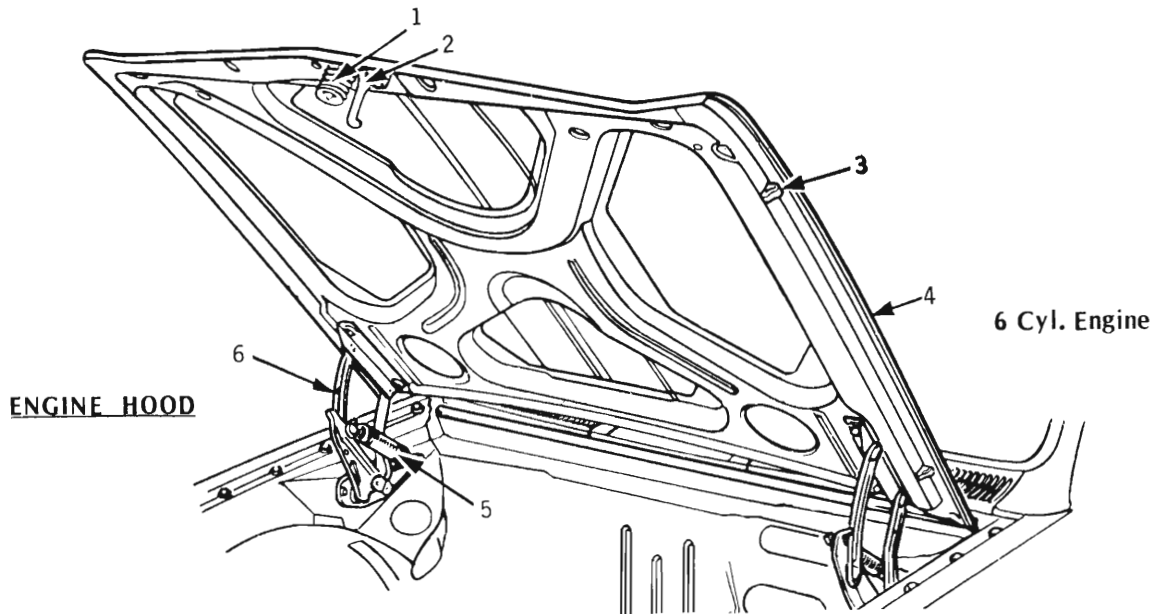
Note: ⁽¹¹²⁾ Prior to A.D.R. 10B.
⁽¹¹³⁾ Use with A.D.R. 10B.



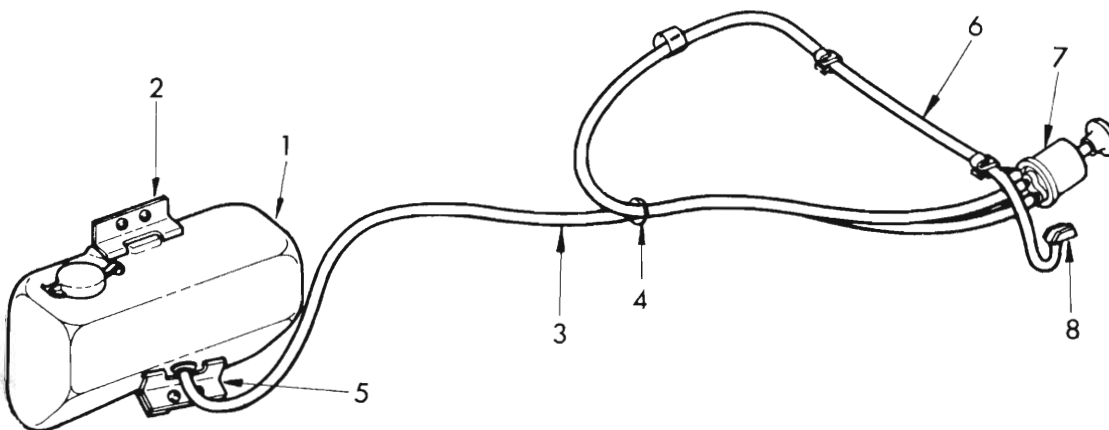
**HOOD FITTINGS
(4 Cyl. Engine)**

ILLUS. REF. NO.	PART NAME	GROUP	ILLUS REF. NO.	PART NAME	GROUP
1.	LOCK ASSY.	8.079	16.	HINGE ASSY.	8.015
2.	LEVER	8.079	17.	BOLT	8.900
3.	RIVET - Lever fixing	8.079	18.	WASHER - Hinge to hood panel	8.015
4.	SPRING	8.081	19.	BOLT	8.900
5.	NUT	8.079	20.	WASHER - Hinge mounting	8.015
6.	WASHER	8.929	21.	STAY	8.012
7.	CATCH	8.036	22.	RETAINER - Hood stay	8.012
8.	RIVET - Catch fixing	8.036	23.	WASHER - Flat	8.929
9.	SPRING - Safety catch	8.036	24.	BUMPER - Front	8.024
10.	PLUNGER	8.085	25.	BUMPER - Rear	8.024
11.	WASHER - Flat	8.929	26.	STRIP	9.127
12.	RETAINER - Hood catch spring	8.085	27.	FASTENER - Drive	9.127
13.	NUT	8.916	28.	BUMPER	8.024
14.	SPRING	8.085	29.	NUT	8.916
15.	PANEL - Radiator grille upper	1.270	30.	BOLT - Bumper to radiator panel	8.024

HOLDEN "LJ" PARTS CATALOGUE

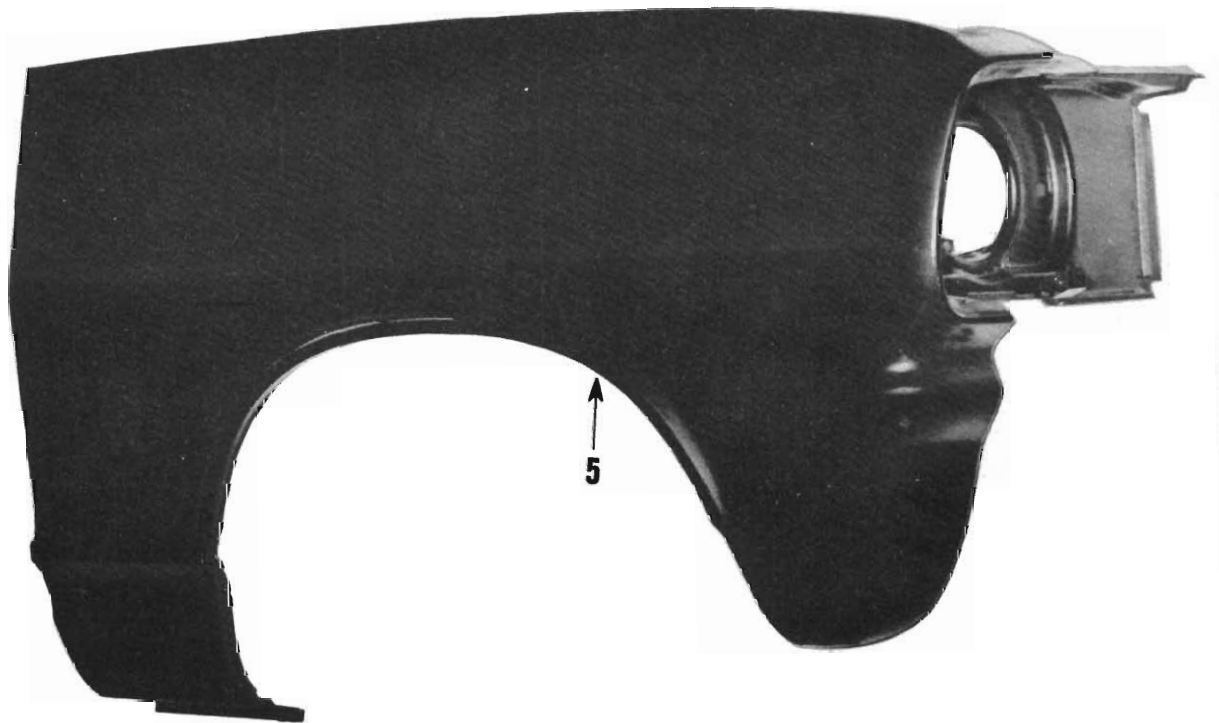
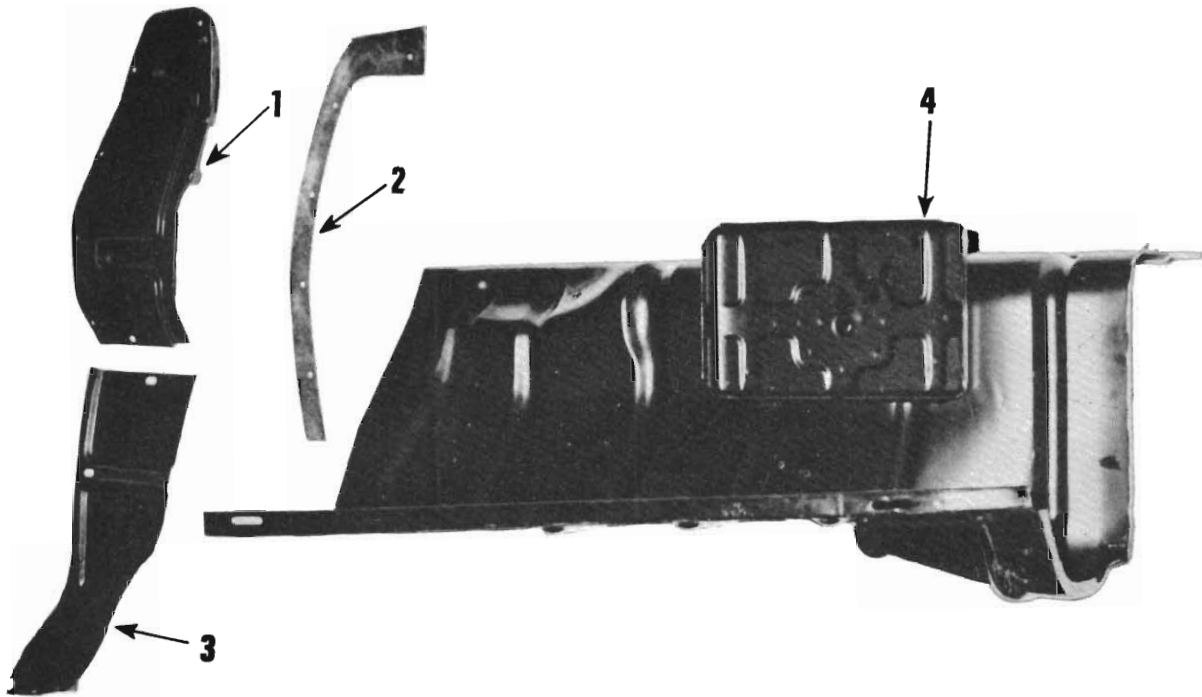


ILLUS. REF. NO.	PART NAME	GROUP	ILLUS. REF. NO.	PART NAME	GROUP
1.	PLUNGER - Hood lock	8.085	4.	PANEL ASSY. - Hood	8.000
2.	CATCH - Hood safety	8.036	5.	SPRING - Hood hinge	8.013
3.	BUMPER - Hood	8.024	6.	HINGE ASSY. - Hood	8.015



WINDSHIELD WASHER

ILLUS. REF. NO.	PART NAME	GROUP
1.	RESERVOIR ASSY.	8.798
2.	CLIP - Reservoir mounting upper	8.798
3.	HOSE - Reservoir to pump	8.798
4.	GROMMET - Dash panel	8.798
5.	CLIP - Reservoir mounting lower	8.798
6.	HOSE - Pump to nozzle	8.798
7.	SWITCH & PUMP ASSY.	8.798
8.	NOZZLE ASSY.	8.798



FRONT FENDER

ILLUS. REF. NO.	PART NAME	GROUP	ILLUS. REF. NO.	PART NAME	GROUP
1.	PANEL - Fender to dash, upper	8.130	4.	PANEL ASSY. - Front wheelhouse	8.153
2.	SEAL - Fender to dash filler	8.154	5.	FENDER ASSY. - Front	8.130
3.	PANEL - Fender to dash, lower	8.130			

HOLDEN "LJ" PARTS CATALOGUE

GROUP	DESCRIPTION	MODEL	SIDE	PART No.	QTY.
8.000	PANEL – Hood				
	PANEL ASSY.	4 Cyl. Eng.		2814540	1
	PANEL ASSY.	6 Cyl. Eng.		2814539	1
8.012	STAY – Hood				
	STAY	4 Cyl. Eng.		7191440	1
	RETAINER - Hood stay	4 Cyl. Eng.		6356131	1
8.013	SPRING – Hood hinge				
	SPRING	6 Cyl. Eng.		2811667	2
8.015	HINGE – Hood				
	HINGE ASSY.	4 Cyl. Eng.	LH	2805777	1
			RH	2805778	1
	HINGE ASSY.	6 Cyl. Eng.	LH	2811663	1
			RH	2811664	1
8.015	PANEL – Hood hinge mounting				
	PANEL ASSY.	6 Cyl. Eng.	LH	2811669	1
			RH	2811668	1
8.024	BUMPER – Hood				
	BUMPER - Front	4 Cyl. Eng.		7198947	2
	BUMPER - Rear	4 Cyl. Eng.		7198944	2
	BUMPER	6 Cyl. Eng.		7424840	4
	BUMPER - Hood to radiator panel	ALL		7424249	2
	BOLT - Bumper to radiator panel	4 Cyl. Eng.		7441985	2
	BOLT - Bumper to radiator panel	6 Cyl. Eng.		7424068	2
8.036	CATCH, SPRING – Hood safety				
	CATCH	4 Cyl. Eng.		7189509	1
	RIVET - Catch to hood lock bolt plate	211, 411, 469, 611, 811, 869		2805283	1
	SPRING	4 Cyl. Eng.		7189507	1
	CATCH	6 Cyl. Eng.		2805897	1
	PIN - Hood safety catch	6 Cyl. Eng.		7421659	1
	SPRING	6 Cyl. Eng.		7404006	1
8.075	CABLE CONTROL PACKAGE and COMPONENTS – Hood lock				
	CABLE CONTROL PACKAGE	6 Cyl. Eng.		2818704	1
	CABLE ASSEMBLY	6 Cyl. Eng.		2806438	1
	BOLT - Cover to lock	6 Cyl. Eng.		SP2145	3
	BOLT - Lever to lock base	6 Cyl. Eng.		2818703	1
	BRACKET - Lock cover	6 Cyl. Eng.		2818701	1
	COVER	6 Cyl. Eng.		2818700	1
	LEVER - Lock release	6 Cyl. Eng.		2818702	1
	NUT - Cover to lock	6 Cyl. Eng.		SP2050	3
8.079	LOCK – Hood				
	LOCK ASSY.	4 Cyl. Eng.		7449652	1
	LEVER - Lock	4 Cyl. Eng.		7447472	1
	RIVET - Lever to plate	4 Cyl. Eng.		7960088	1
	LOCK ASSY.	6 Cyl. Eng.		2818977	1
	LEVER - Lock	6 Cyl. Eng.		2818976	1
	NUT - Stamped $\frac{5}{16}$ " - 18	6 Cyl. Eng.		SP1548	1
8.081	SPRING – Hood catch lock plate				
	SPRING	4 Cyl. Eng.		7960804	1
	SPRING	6 Cyl. Eng.		7432435	1

N.L.A

HOLDEN "LJ" PARTS CATALOGUE

GROUP	DESCRIPTION	MODEL	SIDE	PART No.	QTY.	
8.085	SPRING, RETAINER, PLUNGER – Hood catch					
	SPRING – Hood lock bolt	4 Cyl. Eng.		7189226	1	
	PLUNGER – Hood lock	4 Cyl. Eng.		7189233	1	
	RETAINER – Hood catch spring	4 Cyl. Eng.		7187471	1	
	SPRING – Hood catch	6 Cyl. Eng.		7424228	1	
	RETAINER – Hood catch spring	6 Cyl. Eng.		7432749	1	
	PLUNGER – Hood lock	6 Cyl. Eng.		7415559	1	
	PLATE – Plunger anchor	6 Cyl. Eng.		2812239	1	
8.112	SPLASH GUARD – Engine compartment					
	SPLASH GUARD	4 Cyl. Eng.		2808121	1	
	SPLASH GUARD	6 Cyl. Eng.		(¹¹² 2806548	1	
	SPLASH GUARD	6 Cyl. exc. XU1 Eng.		(¹¹³ 9929748	1	
	SPLASH GUARD	XU1 Eng.		(¹¹³ 9929749	1	
	NUT – ¼" – 20 "J" type spring	ALL		SP2398	A.R.	
8.126	SPOILER – Front air					
	SPOILER	XU1 Eng.		2817740	1	
8.130	FENDER – Front					
	FENDER ASSY.	4 Cyl. Eng.	LH	2805827	1	
	FENDER ASSY.	4 Cyl. Eng.	RH	2805828	1	
	FENDER ASSY.	2250, 2850 Eng.	LH	2818791	1	
	FENDER ASSY.	2250, 2850 Eng.	RH	2818790	1	
	FENDER ASSY.	3300 Eng. <i>GTR Fluted</i>	LH	2818793	1	
	FENDER ASSY.	3300 Eng. <i>GTR Fluted</i>	RH	2818792	1	
	PANEL – Fender to dash, upper	ALL	LH	7189179	1	
	PANEL – Fender to dash, upper	ALL	RH	7189178	1	
	PANEL – Fender to dash, lower	4 Cyl. Eng.	LH	7189177	1	
	PANEL – Fender to dash, lower	4 Cyl. Eng.	RH	7189176	1	
	PANEL – Fender to dash, lower	6 Cyl. Eng.	LH	2805779	1	
	PANEL – Fender to dash, lower	6 Cyl. Eng.	RH	2805780	1	
	EXTENSION ASSY. – Fender	4 Cyl. Eng.	LH	7192675	1	
	EXTENSION ASSY. – Fender	4 Cyl. Eng.	RH	7192674	1	
8.132	MOULDING, PLATE, TRANSFER – Front fender					
	MOULDING	411, 469, 811, 869		7447735	2	
	MOULDING	311, 369, 569		7430797	2	
	RETAINER ASSY.	311, 369, 411, 469, 569, 811, 869		7428740	2	
	PLATE ASSY.	311, 369, 411, 469, 569, 811, 869		7430803	2	
	NUT – Stamped type "G" No. 6 – 32	311, 369, 411, 469, 569, 811, 869		272733	4	
	CLIP – Moulding (Stud type)	311, 369, 411, 469, 569, 811, 869		7448657	10-12	
	CLIP – Moulding (Screw type)	311, 369, 411, 469, 569, 811, 869		7448658	A.R.	
	SCREW – Moulding	311, 369, 411, 469, 569, 811, 869		7426400	A.R.	
	PLATE – "Torana" name	Exc. GTR		2818707	2	
	PLATE – "S" name	311, 369		2818464	2	
	PLATE – "SL" name	569		2818746	2	
	NUT – Name plate	Exc. GTR		SP1606	A.R.	
	PLATE – "De Luxe"	411, 469, 811, 869		7197018	2	
	TRANSFER – "GTRXUI"	XU1 Eng.		2816455	2	
8.153	PANEL – Front wheelhouse					
	PANEL ASSY.	4 Cyl. Eng.	LH	2805973	1	
	PANEL ASSY.	4 Cyl. Eng.	RH	2805974	1	
	PANEL ASSY.	6 Cyl. exc. XU1 Eng.	RIGHT HAND DRIVE	LH	2811837	1
	PANEL ASSY.	6 Cyl. exc. XU1 Eng.	RIGHT HAND DRIVE	RH	2806652	1
	PANEL ASSY.	XU1 Eng.	LH	2823511	1	
	PANEL ASSY.	XU1 Eng.	RH	2806652	1	

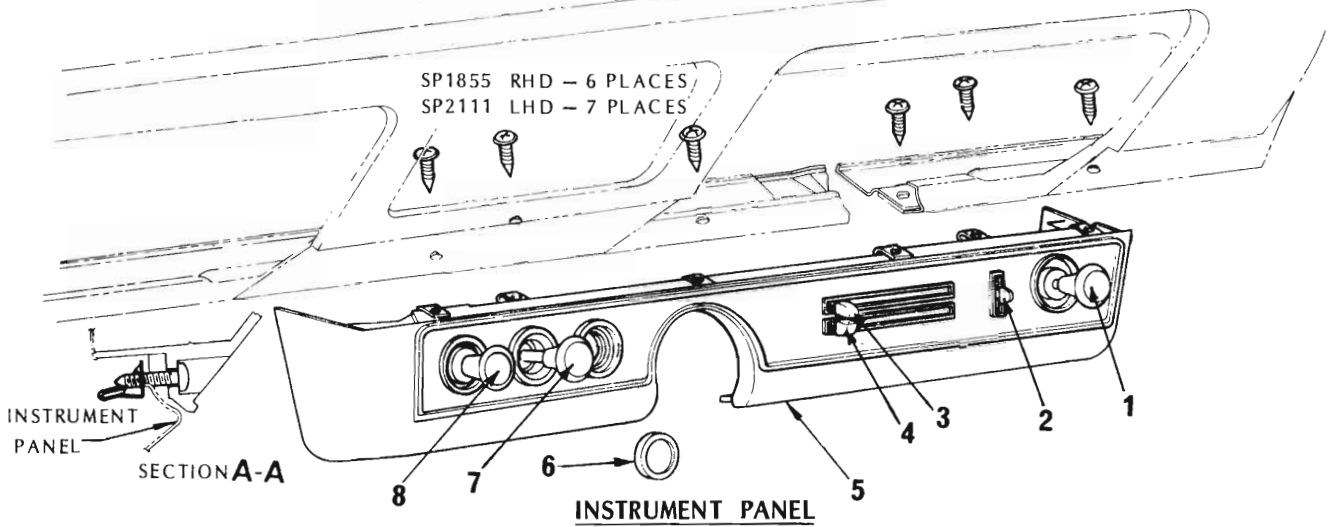
Note: (¹¹² Prior to A.D.R. 10B.
(¹¹³ Use with A.D.R. 10B.

HOLDEN "LJ" PARTS CATALOGUE

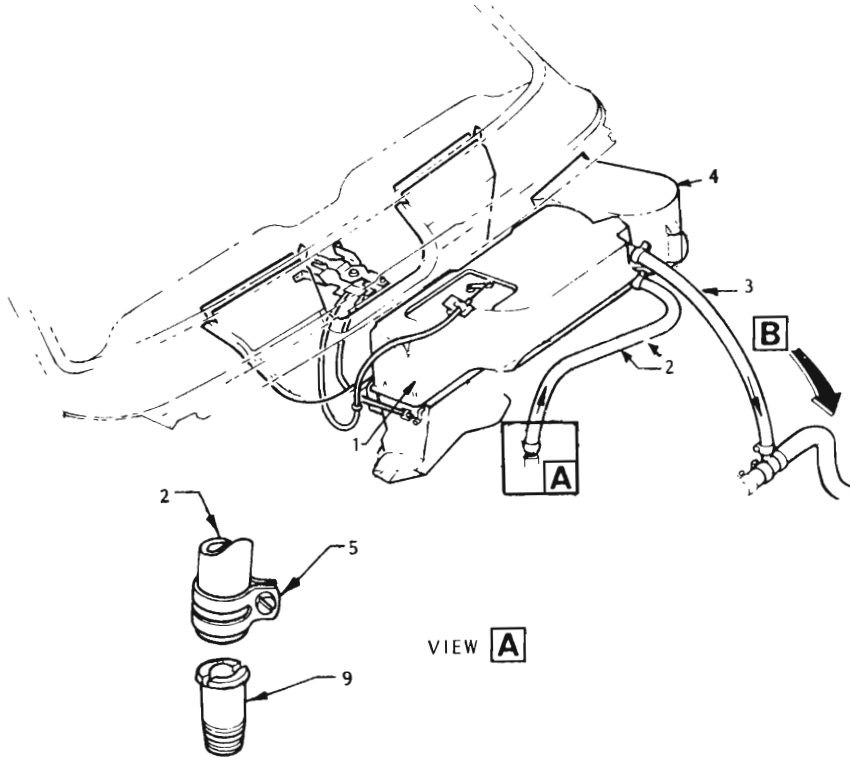
GROUP	DESCRIPTION	MODEL	SIDE	PART No.	QTY.
8.153	PANEL – Front wheelhouse (contd.)				
	PANEL ASSY.	LEFT HAND DRIVE	LH	2811219	1
			RH	2806652	1
	BRACKET – Clutch master cylinder	LEFT HAND DRIVE		2810112	1
	FILLER ASSY. – Wheelhouse to fender	6 Cyl. Eng.	LH	2807265	1
			RH	2807266	1
8.154	SEAL – Front fender				
	SEAL – Fender to dash filler	ALL		7447638	2
	SEAL – Wheelhouse to front fender filler	6 Cyl. Eng.		2807264	2
	FASTENER – Drive	ALL		SP1710	10
8.798	WINDSHIELD WASHER COMPONENTS				
	RESERVOIR & FILTER ASSY.	4 Cyl. Eng.		2824563	1
	RESERVOIR & FILTER ASSY.	6 Cyl. Eng.		2814411	1
	FILTER ASSEMBLY	ALL		2814075	1
	SWITCH & PUMP ASSY.	ALL		2818768	1
	GROMMET – Dash panel	ALL		SP2488	1
	CLIP – Hose to front w/ house panel	6 Cyl. Eng.	RIGHT HAND DRIVE	SP1779	2
	CLIP – Hose to engine hood	4 Cyl. Eng.		SP1788	2
	CLIP – Hose to engine hood	6 Cyl. Eng.		SP1905	2
	CLIP – Hose to RH hood hinge bracket	6 Cyl. Eng.		7413370	1
	NOZZLE ASSY.	ALL		2819227	1
	HOSE – Reservoir to pump	ALL		7418985	1
	HOSE – Pump to nozzle	4 Cyl. Eng.		2823088	1
	HOSE – Pump to nozzle	6 Cyl. Eng.		2823089	1
	CLIP – Reservoir mounting upper	4 Cyl. Eng.		7448369	1
	CLIP – Reservoir mounting lower	4 Cyl. Eng.		7448370	1
8.800	SERVICE ACCESSORIES – Maintenance				
	ANTI-FREEZE – 1 litre can	ALL		7425039	A.R.
	FLUID – Heavy duty brake – 10 oz.	ALL		7448554	A.R.
	FLUID – Heavy duty brake – 500 ml	ALL		7448553	A.R.
	FLUID – Heavy duty brake – 20 litre	ALL		M37535	A.R.
	OIL – Silicone (Diode Rect. Generator)	6 Cyl. Eng.		7429241	A.R.
	INHIBITOR – Radiator – 227.2 ml bottle Use when new radiator fitted	ALL		7426874	A.R.
	INHIBITOR – Radiator – 200 ml bottle	ALL		2822485	A.R.
	KEY BLANK – Square hd. (Primary)	ALL		M37042	A.R.
	KEY BLANK – Oval hd. (Secondary)	ALL		M37043	A.R.
	PASTE – Cylinder head	6 Cyl. Eng.		3836540	A.R.
	SEALING COMPOUND – Oil	6 Cyl. Eng.		3835215	A.R.
	TAPE – Regulator sealing – 50 ft. roll	ALL		7429243	A.R.
8.820	JACK and HANDLE				
	JACK & HANDLE ASSY.	ALL		2825179	1
	HANDLE	ALL		2817262	1
8.821	WRENCH – Wheel nut				
	WRENCH	ALL		2822927	1
8.823	MANUAL – Owner, workshop				
	MANUAL – Owner (Early production)	ALL		2824936	1
	MANUAL – Owner (Late production)	ALL		9930510	1
	MANUAL – Workshop	ALL		M36764	1
	MANUAL – Workshop ("1600 Overhead Cam Engine Supplement")	1600 Eng.		M37067	1
	MANUAL – Workshop (Automatic Transmission Supplement)	(A)		M32709	1

**8.899 THRU 8.995
REFER STANDARD PARTS CATALOGUE
PART No. M37600**

HOLDEN "LJ" PARTS CATALOGUE

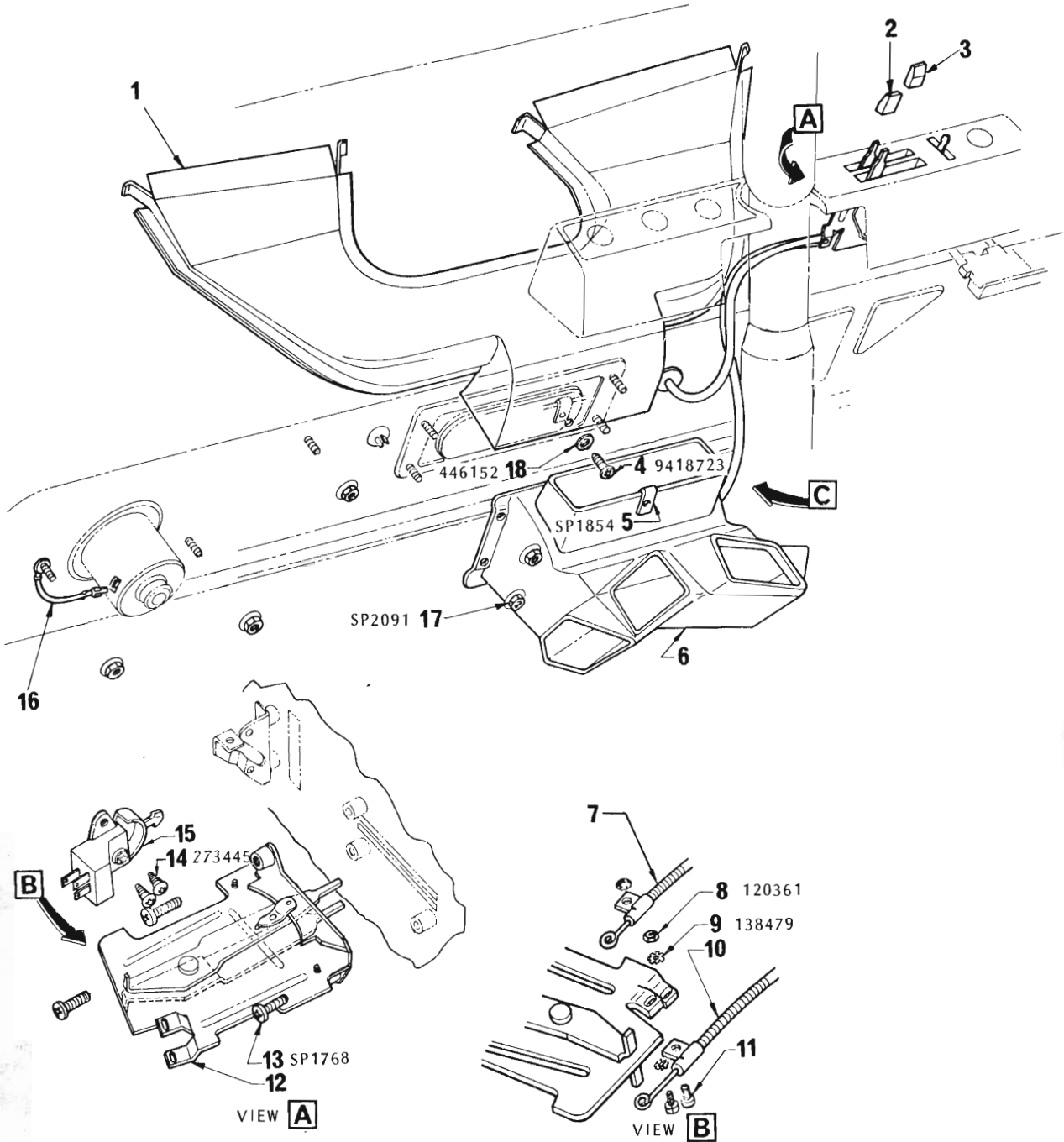


ILLUS. REF. NO.	PART NAME	GROUP	ILLUS. REF. NO.	PART NAME	GROUP
1.	ROD ASSY. - Lighting switch control	2.486	5.	PANEL - Instrument	9.743
2.	SWITCH ASSY. - Heater fan	9.779	6.	PLUG - Choke control hole	9.743
3.	KNOB - Air control	9.787	7.	SWITCH & PUMP ASSY. - Windshield wiper	10.163
4.	KNOB - Heat control	9.743	8.	LIGHTER ASSY. - Cigarette	9.709



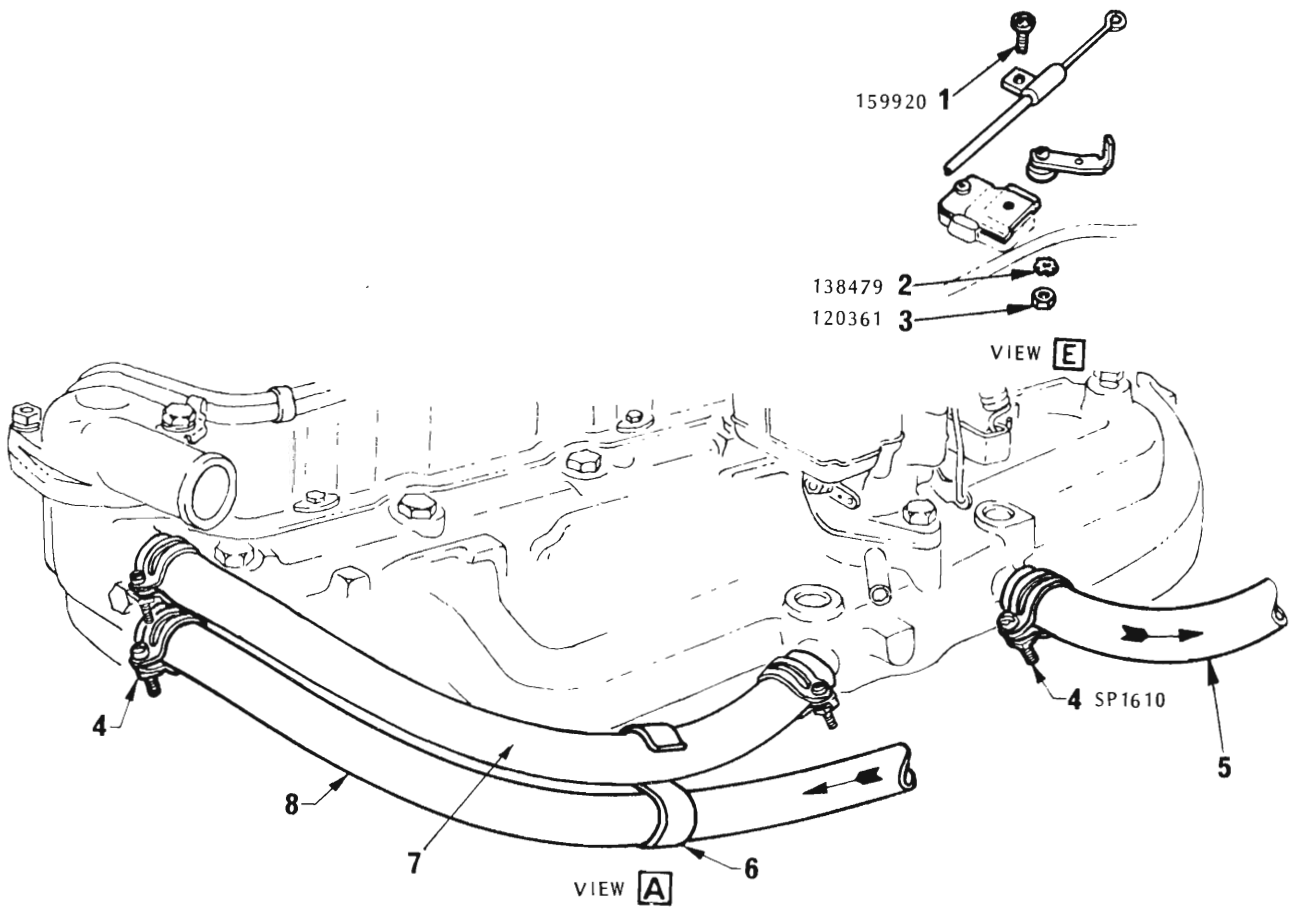
HEATER and FITTINGS

ILLUS. REF. NO.	PART NAME	GROUP	ILLUS. REF. NO.	PART NAME	GROUP
1.	HOUSING, RADIATOR & FAN ASSY.	9.779	6.	HOSE - Outlet extension	1.159
2.	HOSE - inlet	9.779	7.	HOSE - Outlet	1.159
3.	HOSE - Outlet	9.779	8.	TEE - Radiator hose	9.779
4.	DUCT - Heater air inlet	9.779	9.	NIPPLE - Heater hose to engine	9.779
5.	CLAMP - Hose	9.779			



HEATER CONTROLS

ILLUS. REF. NO.	PART NAME	GROUP	ILLUS. REF. NO.	PART NAME	GROUP
1.	DUCT ASSY. - Demist	9.779	10.	CABLE - Heat control	9.779
2.	KNOB - Air control	9.787	11.	BOLT - Pan hd. No.10 - 24 x 1/2"	8.910
3.	KNOB - Heat control	9.779	12.	BASE - Heater control	9.779
4.	SCREW - Pan hd. No.10 - 16 x 5/8" (cad or zinc)	8.977	13.	SCREW - Pan hd. No. 8 - 32 x 1/2" cr. rec.	8.977
5.	NUT - Demist duct to air distribution duct	9.779	14.	SCREW - Pan hd. No. 8 - 18 x 3/8"	8.977
6.	DUCT ASSY. - Distribution	9.779	15.	SWITCH ASSY. - Heater fan	9.779
7.	CABLE ASSY. - Air control	9.779	16.	WIRE ASSY. - Heater fan earth	9.779
8.	NUT - Hex. No.10 - 24 machine screw ..	8.915	17.	NUT - Flanged No. 10 - 32	9.779
9.	WASHER - Shakeproof, No.10 ext. tooth ..	8.932	18.	WASHER - Flat, 13/64" x 15/32" x .049" ..	8.929



HEATER HOSES

ILLUS. REF. NO.	PART NAME	GROUP	ILLUS. REF. NO.	PART NAME	GROUP
1.	BOLT - Pan hd. No. 10 - 24 x 1/2"	8.910	5.	HOSE - Inlet, 14.5" long	9.779
2.	WASHER - Shakeproof, No.10 ext. tooth ..	8.932	6.	CLIP - Inlet hose to outlet hose	9.779
3.	NUT - Hex. No.10 - 24 machine screw ..	8.915	7.	HOSE - Inlet manifold water inlet	3.260
4.	CLAMP - Hose, 1.03" dia.	9.779	8.	HOSE - Outlet, 32.5" long	9.779

NOTES

HOLDEN "LJ" PARTS CATALOGUE

GROUP	DESCRIPTION	MODEL	SIDE	PART No.	QTY.
9.127	STRIP – Hood landing				
	STRIP	ALL		7191312	1
	FASTENER – Drive	ALL		SP1710	9
9.169	BRACKET, SCREW, NUT – Air Conditioner				
	BRACKET – Evaporator housing support rear	6 Cyl. Eng. Bucket Seat RIGHT HAND DRIVE		2825703	1
	SCREW – Evaporator mounting bracket to evaporator and blower	6 Cyl. Eng. Bucket Seat RIGHT HAND DRIVE		SP2280	2
	NUT – Air conditioner to radiator flange	6 Cyl. Eng. Bucket Seat RIGHT HAND DRIVE		SP1548	4
	SCREW – Air conditioner to radiator mounting	6 Cyl. Eng. Bucket Seat RIGHT HAND DRIVE		SP2055	4
9.220	HOSE – Air conditioner evaporator drain				
	HOSE	6 Cyl. Eng. Bucket Seat RIGHT HAND DRIVE	LH	2825603	1
			RH	2825704	1
	CLAMP – Drain hose	6 Cyl. Eng. Bucket Seat RIGHT HAND DRIVE		3786276	2
	GROMMET – LH evaporator drain hose	6 Cyl. Eng. Bucket Seat RIGHT HAND DRIVE		SP1048	1
9.600	BAR – Tow				
	BAR – Less tongue	ALL		⁽⁶³⁾ 2814995	1
	TONGUE ASSY. – Painted, rams horns down	ALL		2812302	1
	TONGUE ASSY. – Chrome plated, rams horns up ...	ALL		2817241	1
	TONGUE ASSY. – Chrome plated, rams horns down	ALL		2817242	1
	ILLUMINATION PACKAGE	ALL		⁽⁶³⁾ 2817243	1
	BULB – 12 volt 6W	ALL		SP1467	1
	SOCKET and LEAD ASSEMBLY	ALL		2814167	1
9.620	DEFLECTOR – Fender mud				
	PACKAGE – Front	ALL		2808604	1
	PACKAGE – Rear	ALL		2811714	1
	DEFLECTOR – Front	ALL	LH	7448483	1
			RH	7448482	1
	DEFLECTOR – Rear	ALL		7425469	2
9.624	GUARD PACKAGE – Bumper bar				
	GUARD PACKAGE – Front	4 Cyl. Eng.		2820927	1
	GUARD PACKAGE – Front	6 Cyl. Eng.		2820926	1
	GUARD PACKAGE – Rear	ALL		2820928	1
9.632	GUARD PACKAGE – Headlamp stone				
	GUARD PACKAGE (Pair)	6 Cyl. Eng.		9937562	1
9.640	HANDLE PACKAGE – Door pull-to				
	HANDLE PACKAGE – Set of 2	ALL		2808258	2-1
	HANDLE	ALL		7435413	4-2
9.644	HARNESS PACKAGE – Trailer wiring				
	HARNESS PACKAGE – 5 Pin	ALL		7433653	1
	HARNESS PACKAGE – 7 Pin	ALL		2825808	1
	BODY – 4 way male connector	ALL		2973603	1

Note: ⁽⁶³⁾ Must be used in conjunction.

HOLDEN "LJ" PARTS CATALOGUE

GROUP	DESCRIPTION	MODEL	SIDE	PART No.	QTY.
9.648	LAMP PACKAGE and COMPONENTS – Auxiliary driving				
	PACKAGE	6 Cyl. Eng.		2817423	1
	LAMP	6 Cyl. Eng.		2807310	2
	LENS	6 Cyl. Eng.		VS10965	2
	GASKET	6 Cyl. Eng.		VS10966	2
	RIM	6 Cyl. Eng.		VS10967	2
	REFLECTOR ASSEMBLY	6 Cyl. Eng.		VS10968	2
	SPRING – Bulb holder	6 Cyl. Eng.		VS10969	2
	BULB	6 Cyl. Eng.		VS10970	2
	BOLT – Mounting	6 Cyl. Eng.		7435937	2
	BRACKET – Mounting	6 Cyl. Eng.	LH	2817425	1
			RH	2817424	1
	ESCUTCHEON – Switch control	6 Cyl. Eng.		7433510	1
	KNOB – Push pull switch	6 Cyl. Eng.		2807189	1
	LEAD ASSEMBLY – Connector to lamp	6 Cyl. Eng.		2807185	1
	LEAD ASSEMBLY – Dimmer switch to lamp	6 Cyl. Eng.		2807183	1
	LEAD ASSEMBLY – Lamp to connector	6 Cyl. Eng.		2807184	1
	NUT – Switch retaining	6 Cyl. Eng.		2807186	1
	SPACER – Push pull switch	6 Cyl. Eng.		2807188	1
	SWITCH – Push pull	6 Cyl. Eng.		2809482	1
9.662	RADIO PACKAGE – Air chief				
	PACKAGE – 13 Transistor – Push button		RIGHT HAND DRIVE	2820202	1
			LEFT HAND DRIVE	2815191	1
	PACKAGE – 11 Transistor – Push button		RIGHT HAND DRIVE	2820203	1
			LEFT HAND DRIVE	2815505	1
	PACKAGE – 11 Transistor – Manual		RIGHT HAND DRIVE	2820366	1
			LEFT HAND DRIVE	2815507	1
	PACKAGE – 8 Transistor – Manual		RIGHT HAND DRIVE	2820367	1
			LEFT HAND DRIVE	2815508	1
	MOUNTING PACKAGE – Front speaker		RIGHT HAND DRIVE	2820559	1
			LEFT HAND DRIVE	2820560	1
	SPEAKER PACKAGE – Rear seat	ALL		2813820	1
	ANTENNA – Lockdown spring loaded – Long range			(⁸⁶ M37085	1
	ANTENNA – Lockdown spring loaded – Medium range			(⁸⁷ M37115	1
	ANTENNA & LEAD-IN PACKAGE			(⁸⁸ 2824959	1
	DIAL – Radio (figures)		RIGHT HAND DRIVE	2819187	1
9.665	SCREEN PACKAGE – Radiator insect				
	INTERNAL	6 Cyl. Eng.		2817496	1
9.668	SHADE PACKAGE – Venetian				
	SHADE PACKAGE	ALL		2810989	1
9.672	SHELF PACKAGE – Parcel				
	SHELF PACKAGE	ALL		2811624	1
9.675	CHILD SAFETY SEAT PACKAGE				
	INFANT CARRIER PACKAGE	ALL		994259	1
	CHILD SAFETY SEAT PACKAGE	ALL		9677326	1
	PLATE ASSY. – Child safety seat anchorage	ALL		9695953	1

Note: (⁸⁶ Contained in 13 Transistor Radio Package.
(⁸⁷ Contained in 11 Transistor Radio Package.
(⁸⁸ Contained in 8 Transistor Radio Package.

HOLDEN "LJ" PARTS CATALOGUE

GROUP	DESCRIPTION	MODEL	SIDE	PART No.	QTY.
9.680	SUNSHADE PACKAGE – Windshield				
	SUNSHADE PACKAGE – Bracketless	ALL		7447944	1
	SUNSHADE PACKAGE – Bracketless, Black Vinyl ..	Exc. 211		9930275CY	1
	SUNSHADE PACKAGE – Bracketless Antique Brown Vinyl	Exc. 211		9930275CJ	1
	SUNSHADE PACKAGE – Bracketless Antique Saddle Vinyl	Exc. 211		9930275CA	1
	SUNSHADE PACKAGE – Bracketless, Ash Vinyl	Exc. 211		9930275DC	1
	SUNSHADE PACKAGE – Bracketless, Juniper Vinyl ..	Exc. 211		9930275DE	1
	SUNSHADE PACKAGE – Bracketless, Doeskin Vinyl ..	Exc. 211		9930275DF	1
	SUNSHADE PACKAGE – Bracketless, Chestnut Vinyl ..	Exc. 211		9930275DG	1
9.684	WEATHERSHIELD PACKAGE – Door mounting				
	WEATHERSHIELD PACKAGE	2 Door Sedan	LH	2824925 Clr.	1
			RH	2824926 Clr.	1
	WEATHERSHIELD PACKAGE	2 Door Sedan	LH	2824925 Tnt	1
			RH	2824926 Tnt	1
	WEATHERSHIELD PACKAGE	4 Door Sedan	LH	2824927 Clr.	1
			RH	2824928 Clr.	1
	WEATHERSHIELD PACKAGE	4 Door Sedan	LH	2824927 Tnt	1
			RH	2824928 Tnt	1
9.709	LIGHTER – Cigarette				
	LIGHTER PACKAGE – Accessory	ALL		920103/6 2822076	1
	LIGHTER ASSY. – (Cuno)	ALL		2818772	1
	LIGHTER ASSY. – (Casco)	ALL		2818770	1
	PLUNGER & KNOB ASSY. – (Cuno)	ALL		2818771	1
	PLUNGER & KNOB ASSY. – (Casco)	ALL		2818769	1
	LEAD ASSY.	ALL		7438862	1
9.743	PANEL – Instrument				
	PANEL – Black	Torana, 'S', De Luxe exc. 1600, 1760 Eng. RIGHT HAND DRIVE		2820614BA	1
		LEFT HAND DRIVE		2810768BA	1
	PANEL – Antique Brown	Torana, 'S', De Luxe exc. 1600, 1760 Eng. RIGHT HAND DRIVE		2820614CJ	1
		LEFT HAND DRIVE		2810768CJ	1
	PANEL – Olive Green	Torana, 'S', De Luxe exc. 1600, 1760 Eng. RIGHT HAND DRIVE		2820614CE	1
		LEFT HAND DRIVE		2810768CE	1
	PANEL – Dark Ash	Torana, 'S', De Luxe exc. 1600, 1760 Eng. RIGHT HAND DRIVE		2820614DD	1
		LEFT HAND DRIVE		2810768DD	1
	PANEL – Chestnut	Torana, 'S', De Luxe exc. 1600, 1760 Eng. RIGHT HAND DRIVE		2820614DG	1
		LEFT HAND DRIVE		2810768DG	1
	PANEL – Black	(M) 1600, 1760 Eng.		2820614BA	1
	PANEL – Antique Brown	(M) 1600, 1760 Eng.		2820614CJ	1
	PANEL – Olive Green	(M) 1600, 1760 Eng.		2820614CE	1
	PANEL – Dark Ash	(M) 1600, 1760 Eng.		2820614DD	1
	PANEL – Chestnut	(M) 1600, 1760 Eng.		2820614DG	1
	PANEL – Black	(A) 1600 Eng.		2822731BA	1
	PANEL – Antique Brown	(A) 1600 Eng.		2822731CJ	1
	PANEL – Olive Green	(A) 1600 Eng.		2822731CE	1
	PANEL – Dark Ash	(A) 1600 Eng.		2822731DD	1
	PANEL – Chestnut	(A) 1600 Eng.		2822731DG	1
	PANEL – Black	(A) 1760 Eng.		2820614BA	1
	PANEL – Antique Brown	(A) 1760 Eng.		2820614CJ	1
	PANEL – Olive Green	(A) 1760 Eng.		2820614CE	1
	PANEL – Dark Ash	(A) 1760 Eng.		2820614DD	1
	PANEL – Chestnut	(A) 1760 Eng.		2820614DG	1
	PANEL – Black	'SL'	RIGHT HAND DRIVE	2820617BA	1
			LEFT HAND DRIVE	2815926BA	1

HOLDEN "LJ" PARTS CATALOGUE

GROUP	DESCRIPTION	MODEL	SIDE	PART No.	QTY.
9.743 PANEL - Instrument (contd.)					
PANEL - Antique Brown	'SL'	RIGHT HAND DRIVE		2820617CJ	1
		LEFT HAND DRIVE		2815926CJ	1
PANEL - Olive Green	'SL'	RIGHT HAND DRIVE		2820617CE	1
		LEFT HAND DRIVE		2815926CE	1
PANEL - Dark Ash	'SL'	RIGHT HAND DRIVE		2820617DD	1
		LEFT HAND DRIVE		2815926DD	1
PANEL - Chestnut	'SL'	RIGHT HAND DRIVE		2820617DG	1
		LEFT HAND DRIVE		2815926DG	1
PANEL - Black	'GTR'			2820614BA	1
PANEL - Antique Brown	'GTR'			2820616CJ	1
PANEL - Olive Green	'GTR'			2820616CE	1
BRACKET - Support		RIGHT HAND DRIVE		2820484	2
BRACKET ASSY. - Support		LEFT HAND DRIVE	LH	2811579	1
			RH	2811580	1
BRACKET - Support		LEFT HAND DRIVE		2811578	1
PLUG - Cigar lighter hole	Torana, 'S', De Luxe			7426303	1
PLUG - Choke control hole	(A) 1600 Eng.			2807005	1
9.750 HEATER and DEMISTER					
HEATER & DEMISTER PACKAGE - With fan		RIGHT HAND DRIVE		2825685	1
9.779 HEATER and DEMISTER COMPONENTS (Heater with Fan)					
ADAPTOR - Heater control		RIGHT HAND DRIVE		2820959	1
BAFFLE - Water deflector		RIGHT HAND DRIVE		2811835	1
BASE - Heater, vent control		RIGHT HAND DRIVE		2814888	1
BODY - 3 way female connector		LEFT HAND DRIVE		2962449	1
BODY - Single female connector		LEFT HAND DRIVE		2962448	1
BRACKET - Cam		RIGHT HAND DRIVE		VS11332	1
BOLT - Duct to heater	Torana, S, De Luxe	RIGHT HAND DRIVE		VS11352	3
CABLE ASSY. - Air control		RIGHT HAND DRIVE		2819973	1
		LEFT HAND DRIVE		2807955	1
CABLE - Heat control		RIGHT HAND DRIVE	N-L-A	2820861	1
		LEFT HAND DRIVE		2816880	1
CAM		RIGHT HAND DRIVE		VS11333	1
CASING ASSY. - Heater		LEFT HAND DRIVE		2810758	1
CLAMP - Hose .97" dia.	1600, 1760 Eng.			SP1701	1
CLAMP - Hose 1.03" dia.	ALL			SP1610	4
CLAMP - Hose 1 5/8" dia.	4 Cyl. exc. 1760 Eng.			SP1004	2
CLAMP - Hose	XU1 Eng.			2824090	1
CLAMP - Inlet hose to valve		LEFT HAND DRIVE		SP1865	1
CLIP - Back plate to case		RIGHT HAND DRIVE		VS11350	19
CLIP - Cable		LEFT HAND DRIVE		7187392	1
CLIP - Inlet hose to outlet hose	6 Cyl. exc. XU1 Eng.			7433806	1
CLIP - Air inlet duct to heater		RIGHT HAND DRIVE		SP2229	A.R.
CLIP & TERMINAL ASSY. - Fuse holder	ALL			7418077	1
CONTROL ASSY. - Vent & heater		LEFT HAND DRIVE		7447681	1
CRANK		RIGHT HAND DRIVE		VS11961	1
DUCT ASSY. - Distribution	ALL		N-L-A	2808418	1
DUCT ASSY. - Demist	ALL			2808417	1
DUCT - Heater air inlet		RIGHT HAND DRIVE		2810804	1
DUCT - Heater inlet		RIGHT HAND DRIVE		VS11344	1
DUCT - Air inlet		RIGHT HAND DRIVE		VS11330	1
FAN - Impeller		RIGHT HAND DRIVE		VS11300	1
FLAP - Vent control	ALL			7192578	1
GROMMET - Heater control cable		RIGHT HAND DRIVE		7090220	1
GROMMET - Motor mounting		RIGHT HAND DRIVE		VS11347	2
GROMMET - Harness		LEFT HAND DRIVE		7090220	1
HEATER CASE - Moulded		RIGHT HAND DRIVE		VS11331	1
HOSE - Inlet	1160, 70, 1300 Eng.			2809307	1
HOSE - Inlet	1600, 1760 Eng.			2820893	1
HOSE - Inlet		LEFT HAND DRIVE		2816881	1
HOSE - Inlet, 14.5" long	6 Cyl. exc. XU1 Eng.				
		RIGHT HAND DRIVE		2822318	1
HOSE - Inlet	XU1 Eng.			2824109	1

HOLDEN "LJ" PARTS CATALOGUE

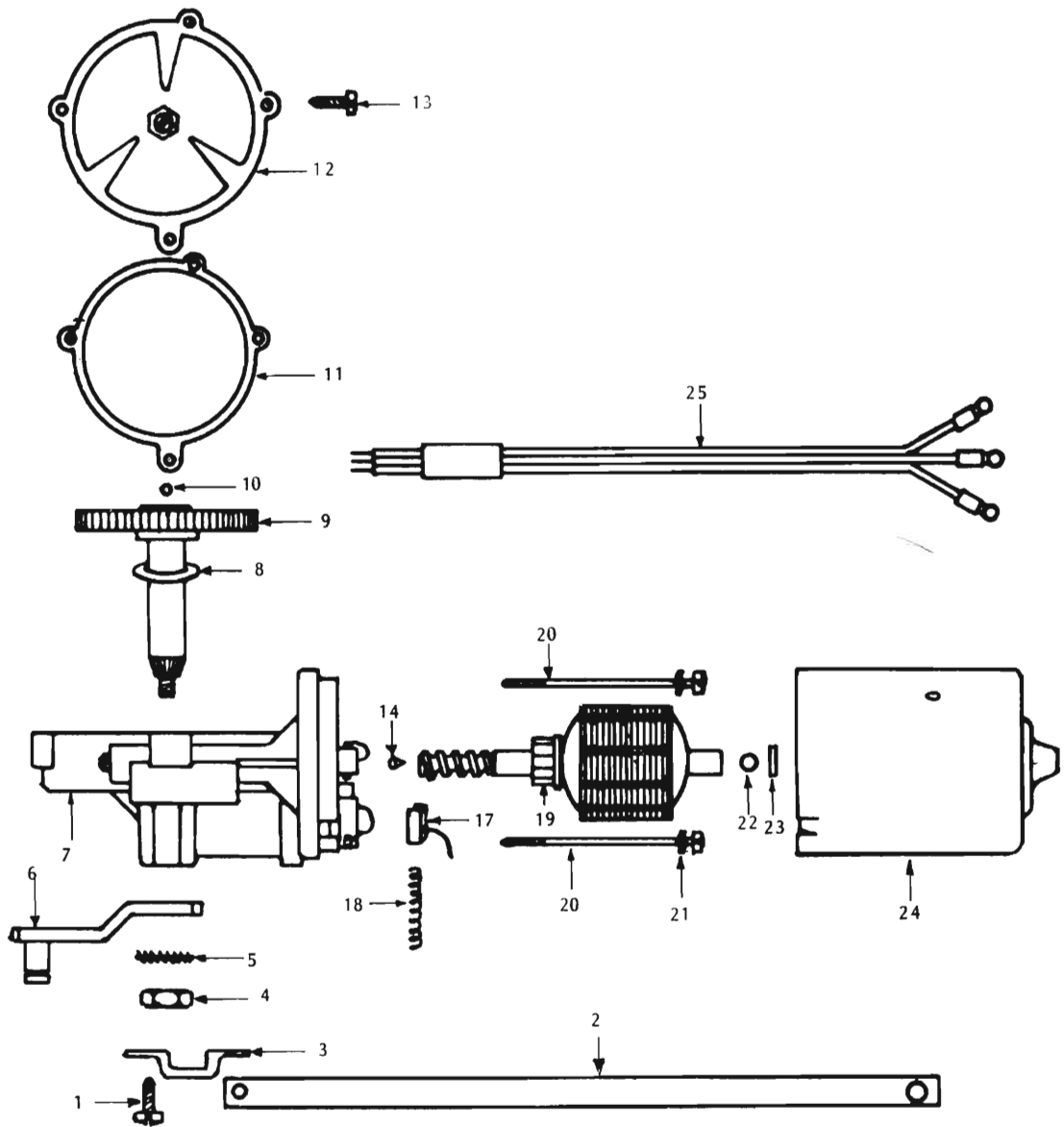
GROUP	DESCRIPTION	MODEL	SIDE	PART No.	QTY.
9.779	HEATER and DEMISTER COMPONENTS (Heater with Fan) (contd.)				
	HOSE - Outlet	1160, 70, 1300 Eng.		2807959	1
	HOSE - Outlet	1600, 1760 Eng.		9930490	1
	HOSE - Outlet, 41" long		LEFT HAND DRIVE	2816883	1
	HOSE - Outlet, 32.5" long	6 Cyl. exc. XU1 Eng.			
			RIGHT HAND DRIVE	2822319	1
	HOSE - Outlet	XU1 Eng.		2824108	1
	HOSE - Outlet, 36" long		LEFT HAND DRIVE	7437880	1
	HOSE - Engine to control valve		LEFT HAND DRIVE	7437880	1
	HOUSING		LEFT HAND DRIVE	2810758	1
	KNOB - Heat control		RIGHT HAND DRIVE	2814903	1
			LEFT HAND DRIVE	7197495	1
			LEFT HAND DRIVE	2807964	1
	KNOB - Heater fan switch		RIGHT HAND DRIVE	2814890	1
	LEVER ASSY. - Heater control		RIGHT HAND DRIVE	2814891	1
	LEVER ASSY. - Air control		RIGHT HAND DRIVE	VS11299	1
	MOTOR ASSY.		RIGHT HAND DRIVE	VS11299	1
	NIPPLE - Heater hose to engine, 3 1/4" long	1160, 70, 1300 Eng.		2816244	1
	NIPPLE - Heater hose		LEFT HAND DRIVE	7415042	1
	NUT - Control cable retaining		RIGHT HAND DRIVE	SP2416	2
	NUT - Demister duct to air dist. duct	ALL		SP1854	1
	NUT - Flanged No. 10 - 32	ALL		SP2091	1
	"O" RING - Motor mounting		RIGHT HAND DRIVE	VS11346	1
	PLATE - Air mix division		RIGHT HAND DRIVE	VS11342	1
	PLATE - Back		RIGHT HAND DRIVE	VS11349	1
	PIN - Heater control assy. pivot		RIGHT HAND DRIVE	2822256	1
	RADIATOR		RIGHT HAND DRIVE	VS11343	1
	RESISTOR ASSY.		RIGHT HAND DRIVE	VS11351	1
	ROLLER		RIGHT HAND DRIVE	VS11334	2
	SCREW - Crank		RIGHT HAND DRIVE	VS11336	1
	SEAL - Air mix flap	ALL		VS11340	1
	SEAL - Heater air outlet		RIGHT HAND DRIVE	VS12174	1
	SEAL - Heater motor assy.		RIGHT HAND DRIVE	VS12173	1
	SEAL - Heater mounting stud		RIGHT HAND DRIVE	VS12172	3
	SUPPORT - Heater hose	XU1 Eng.		2824089	1
	SWITCH ASSY. - Heater fan		RIGHT HAND DRIVE	2814897	1
			LEFT HAND DRIVE	2807962	1
	TEE - Radiator hose	4 Cyl. Eng.		2822585	1
	VALVE ASSY. - Control		LEFT HAND DRIVE	2816806	1
	VALVE - Demist flap		RIGHT HAND DRIVE	VS11341	1
	WASHER - Motor mounting		RIGHT HAND DRIVE	VS11345	8
	WASHER - Motor mounting retainer		RIGHT HAND DRIVE	VS11348	2
	WIRE ASSY. - Heater fan earth		RIGHT HAND DRIVE	2810925	1
	WIRE LINK - Short		RIGHT HAND DRIVE	VS11337	1
	WIRE LINK - Long		RIGHT HAND DRIVE	VS11338	1
9.786	FLAP, PANEL - Ventilator				
	FLAP ASSY. - Vent control	ALL		(⁶⁴ 7192578	1
	PANEL ASSY. - Shroud vent closing		RIGHT HAND DRIVE	(⁶⁴ 2806525	1
	PANEL ASSEMBLY - Shroud vent closing		RIGHT HAND DRIVE	(⁶⁷ 2806807	1
	PANEL ASSEMBLY - Shroud vent closing		LEFT HAND DRIVE	2810889	1
	PANEL - Vent air duct	ALL		(⁶⁴ 7447150	1
	SEAL - Vent panel aperture	ALL		2806528	1
9.787	CONTROL - Ventilator				
	ADAPTOR - Ventilator control		RIGHT HAND DRIVE	2820959	1
	CONTROL ASSY.		RIGHT HAND DRIVE	2820021	1
	KNOB - Air control		RIGHT HAND DRIVE	2814903	1
			LEFT HAND DRIVE	(⁶⁴ 7447580	1
	SPRING - Vent control		LEFT HAND DRIVE	2806448	1
	KNOB - Air control		LEFT HAND DRIVE	7197494	1
	CABLE ASSY. - Control		RIGHT HAND DRIVE	2819972	1
	WIRE & CABLE ASSY. - Control		LEFT HAND DRIVE	(⁶⁴ 7201682	1
	CLIP - Cable vent control	ALL		(⁶⁴ 7187392	2
Note:	(⁶⁴ Not with Heater.				
	(⁶⁷ With Heater.				

HOLDEN "LJ" PARTS CATALOGUE

GROUP	DESCRIPTION	MODEL	SIDE	PART No.	QTY.
9.787	CONTROL – Ventilator (contd.)				
	END - Control wire	ALL		(⁶⁴ 7116131	1
	ESCUTCHEON - Heater and vent		LEFT HAND DRIVE	(⁶⁷ 2825534	1
	ESCUTCHEON - Vent control		LEFT HAND DRIVE	(⁶⁴ 2807294	1
	NUT - Escutcheon to instrument panel		LEFT HAND DRIVE	SP1734	2
	CLIP - Control lever	ALL		SP1762	1

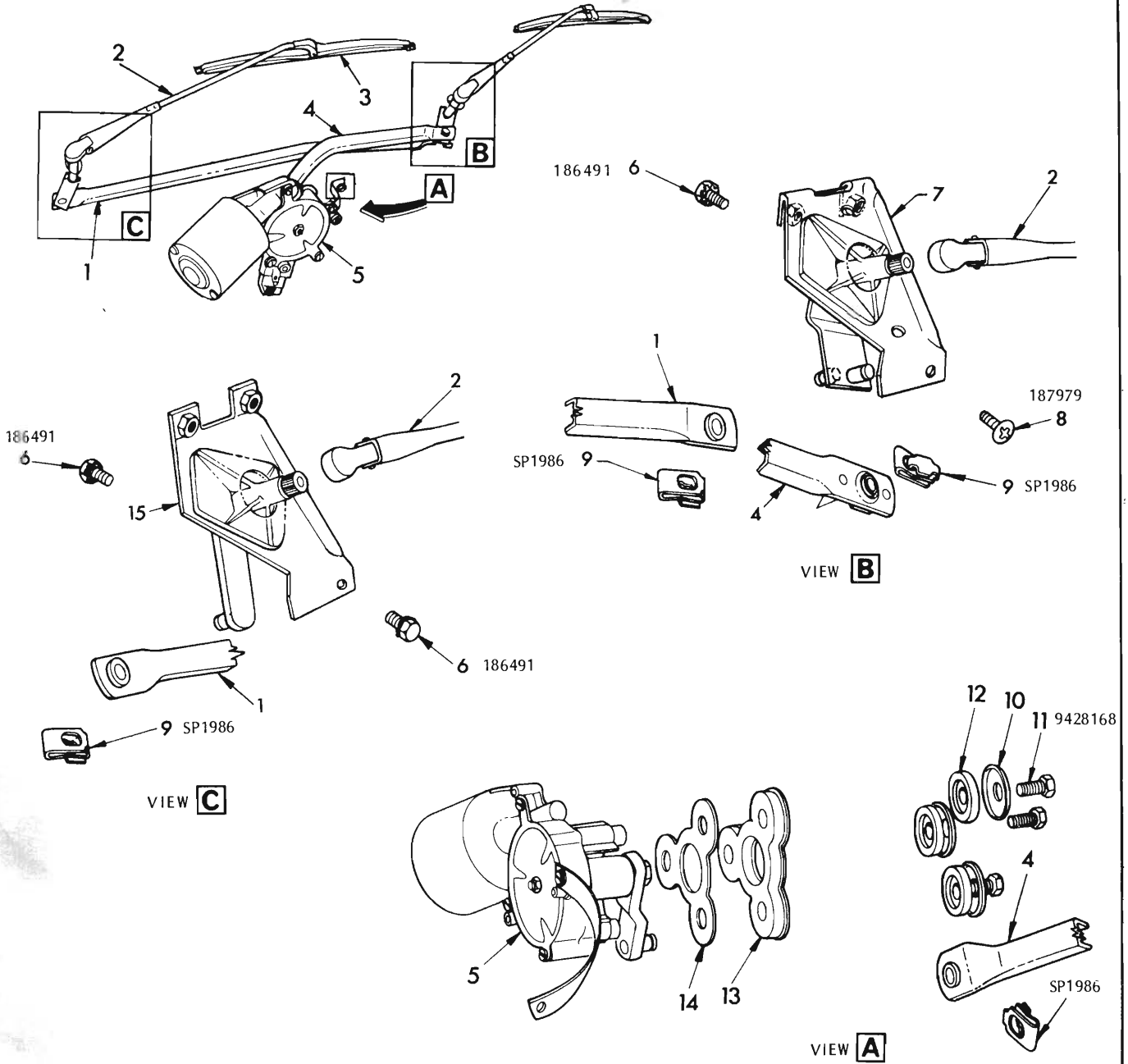
Note: (⁶⁴ Not with Heater.
 (⁶⁷ With Heater

HOLDEN "LJ" PARTS CATALOGUE



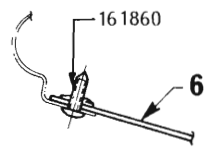
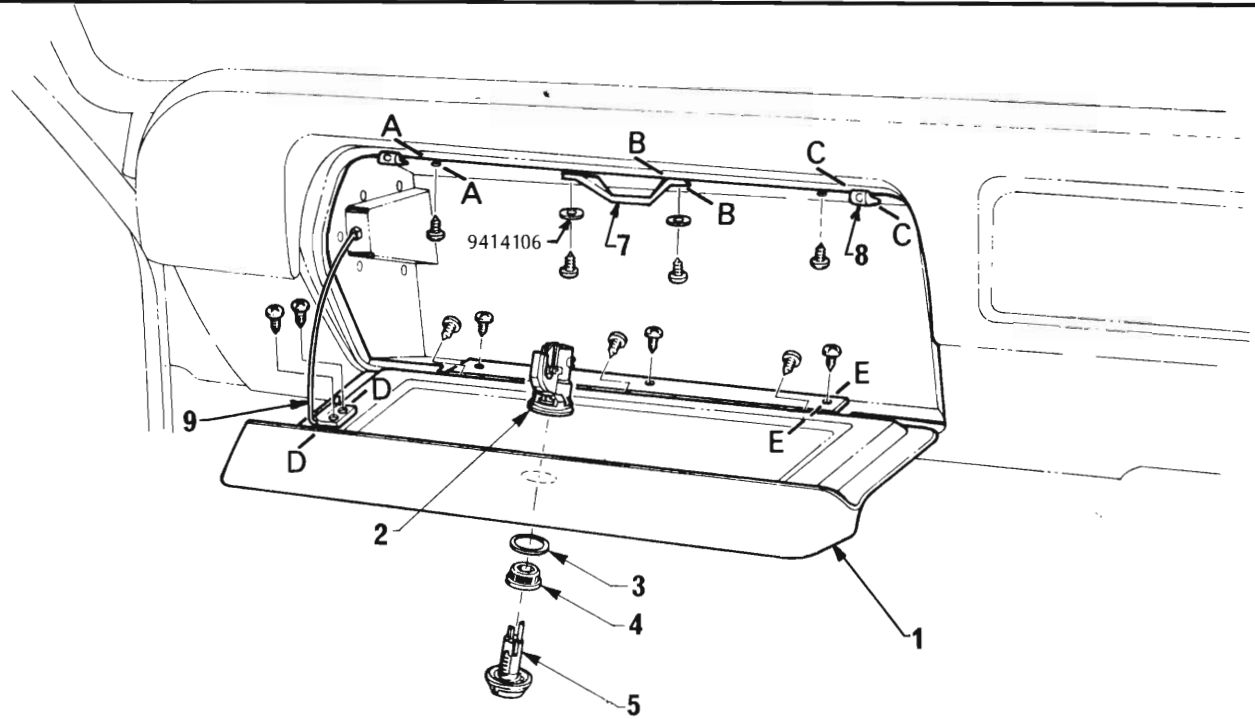
WINDSHIELD WIPER MOTOR

ILLUS. REF. NO.	PART NAME	GROUP	ILLUS. REF. NO.	PART NAME	GROUP
1.	SCREW - Cable clamp	10.150	13.	SCREW - Gear & cross shaft cover	10.150
2.	LEAD - Earth	10.150	14.	CONE - Armature thrust, worm end	10.150
3.	CLAMP - Cable	10.150	17.	BRUSH	10.150
4.	NUT - Cross shaft crank	10.150	18.	SPRING - Brush	10.150
5.	WASHER - Cross shaft crank lock	10.150	19.	ARMATURE	10.150
6.	ARM - Crank	10.150	20.	BOLT - Through	10.150
7.	HOUSING ASSY. - Gear & cross shaft	10.150	21.	WASHER - Through bolt lock	8.931
8.	WASHER - Gear & cross shaft spacer..	10.150	22.	BALL - Armature thrust	10.150
9.	SHAFT ASSY. - Gear & cross	10.150	23.	PAD ASSY. - Thrust	10.150
10.	BALL - Gear & cross shaft thrust	10.150	24.	FIELD & HOUSING ASSY.	10.150
11.	GASKET - Gear & cross shaft cover	10.150	25.	LEAD ASSY.	10.150
12.	COVER - Gear & cross shaft	10.150			

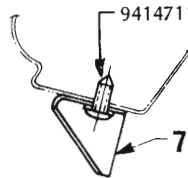


WINDSHIELD WIPER

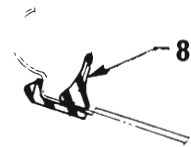
ILLUS. REF. NO.	PART NAME	GROUP	ILLUS. REF. NO.	PART NAME	GROUP
1.	LINK ASSY. - Driven	10.159	9.	CLIP	10.160
2.	ARM ASSY.	10.147	10.	RETAINER - Insulator	10.152
3.	BLADE ASSY.	10.146	11.	SCREW	8.977
4.	LINK ASSY. - Drive	10.159	12.	INSULATOR	10.152
5.	MOTOR ASSY.	10.150	13.	SEAL	10.152
6.	BOLT	8.900	14.	PLATE - Seal retainer	10.152
7.	PIVOT & BRACKET ASSY. - Drive	10.159	15.	PIVOT & BRACKET ASSY. - Driven	10.159
8.	BOLT	8.913			



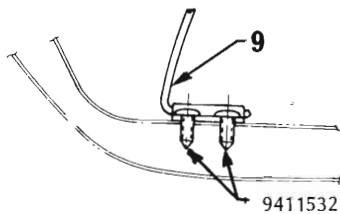
SECTION A-A



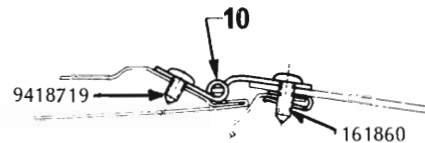
SECTION B-B



SECTION C-C



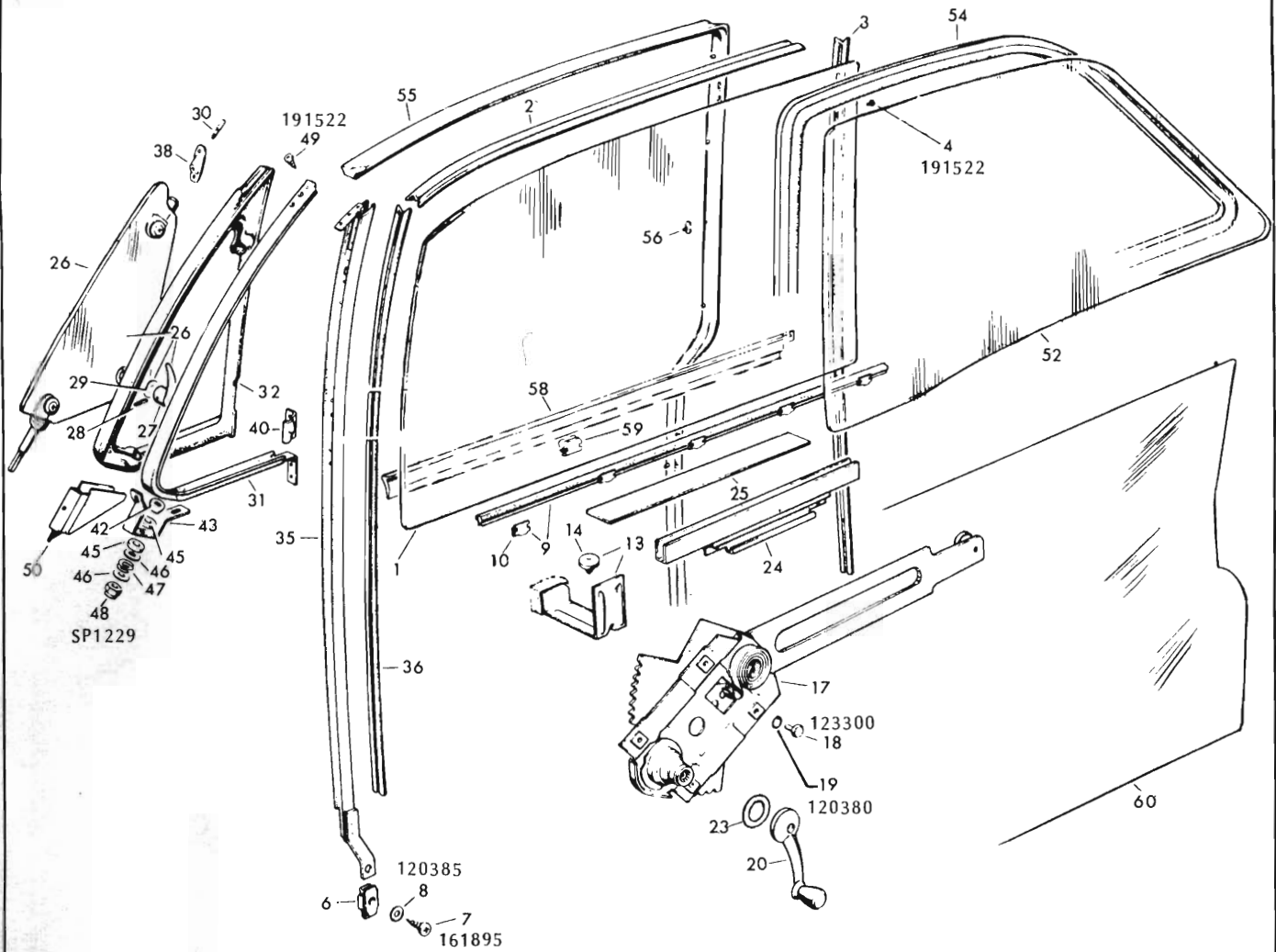
SECTION D-D



SECTION E-E

INSTRUMENT PANEL COMPARTMENT DOOR and LOCK ASSEMBLY

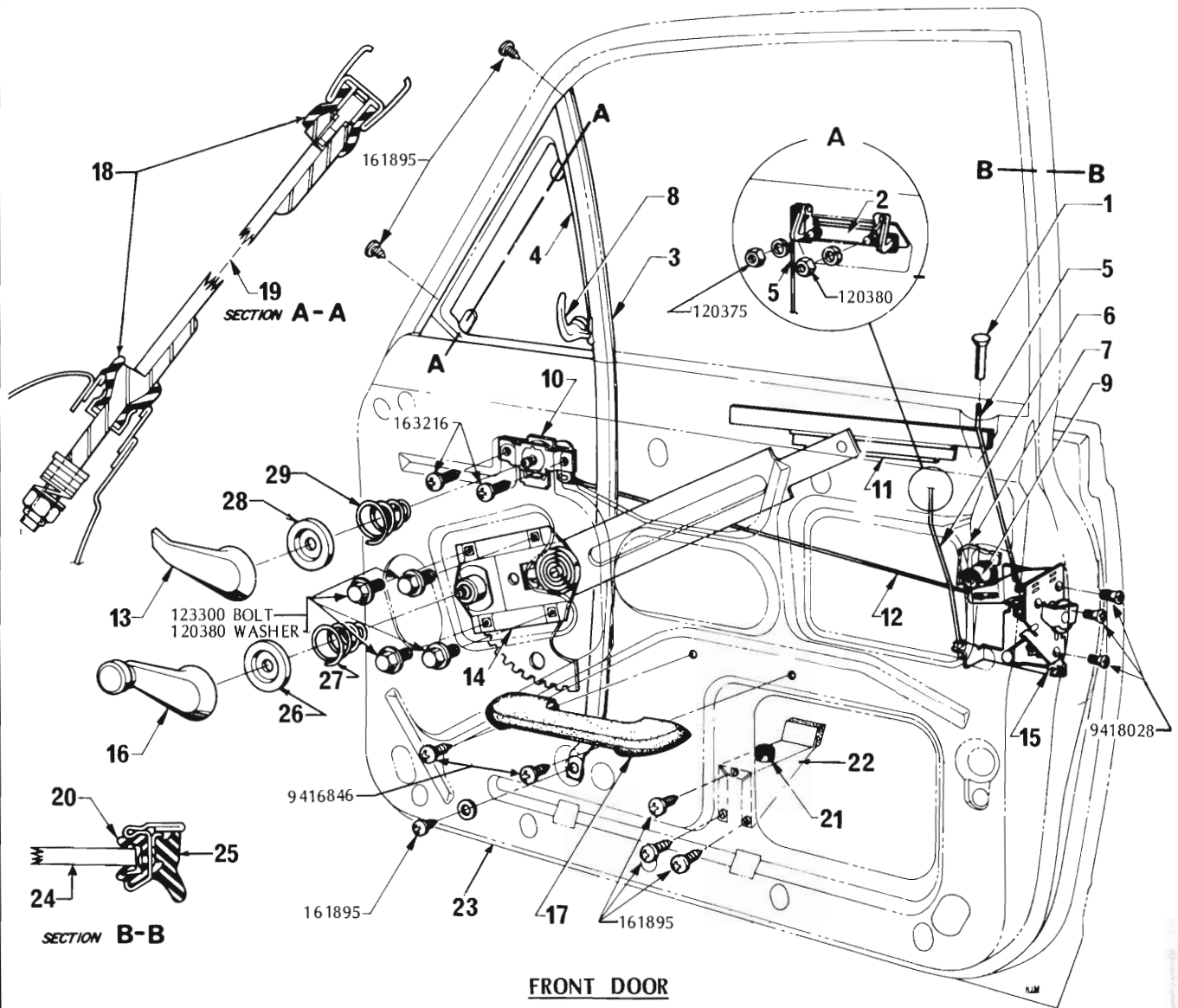
ILLUS. REF. NO.	PART NAME	GROUP
1.	LID - Instrument panel compartment	10.261
2.	LOCK - Instrument panel compartment lid	10.266
3.	WASHER - Lock escutcheon	10.266
4.	ESCUTCHEON - Lock case	10.266
5.	CYLINDER - Lock	10.266
6.	COMPARTMENT ASSY. - Instrument panel	10.260
7.	STRIKER - Lid lock	10.268
8.	BUMPER - Compartment lid	10.263
9.	STOP ASSY. - Compartment lid	10.264
10.	HINGE - Compartment lid	10.262



DOOR and QUARTER GLASS and FITTINGS

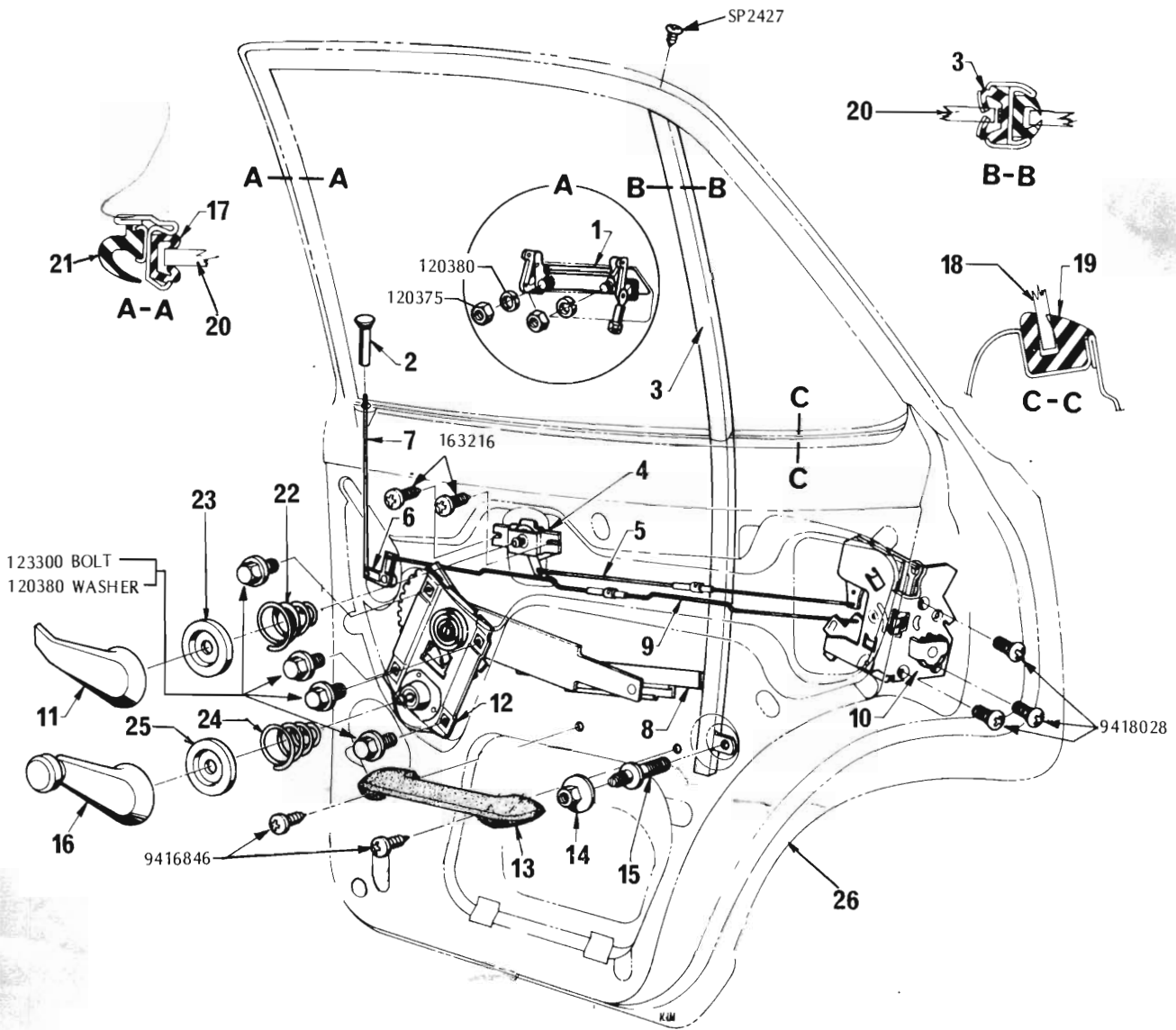
ILLUS. REF. NO.	PART NAME	GROUP	ILLUS. REF. NO.	PART NAME	GROUP
1.	GLASS	10.681	30.	PIN	10.669
2.	CHANNEL - Upper	10.701	31.	CHANNEL ASSY.	10.655
3.	CHANNEL - Rear	10.701	32.	WEATHERSTRIP	10.652
4.	RIVET	8.967	35.	CHANNEL - Glass division	10.686
6.	NUT	10.686	36.	CHANNEL - Glass run	10.686
7.	SCREW	8.977	38.	PIVOT	10.669
8.	WASHER	8.929	40.	PLATE	10.686
9.	STRIP ASSY. - Inner	10.710	42.	STOP	10.669
10.	CLIP - Inner strip	10.712	43.	SUPPORT	10.669
13.	BRACKET ASSY.	10.716	45.	WASHER - Nylon	10.669
14.	BUMPER	10.716	46.	WASHER - Steel	10.669
17.	REGULATOR ASSY.	10.783	47.	WASHER - Spring	10.669
18.	BOLT	8.900	48.	NUT	8.918
19.	WASHER	8.931	49.	SCREW	8.977
20.	HANDLE ASSY.	10.797	50.	PLATE	10.655
23.	PLATE	10.515	52.	GLASS	11.011
24.	CHANNEL ASSY.	10.685	54.	WEATHERSTRIP	11.007
25.	FILLER	10.696	55.	WEATHERSTRIP	10.694
26.	GLASS ASSY.	10.658	56.	FASTENER	10.695
27.	HANDLE ASSY.	10.664	58.	STRIP - Outer	10.710
28.	PIN	10.664	59.	CLIP - Outer strip	10.712
29.	SPRING	10.664	60.	SEAL	14.694

HOLDEN "LJ" PARTS CATALOGUE



FRONT DOOR

ILLUS. REF. NO.	PART NAME	GROUP	ILLUS. REF. NO.	PART NAME	GROUP
1.	KNOB - Inside locking rod	10.559	17.	ARM REST ASSEMBLY	14.686
2.	HANDLE ASSY. - Outside	10.527	18.	WEATHERSTRIP - Ventilator	10.652
3.	CHANNEL ASSY. - Division	10.686	19.	GLASS - Ventilator	10.658
4.	VENTILATOR ASSY.	10.650	20.	CHANNEL - Glass run - upper	10.701
5.	ROD - Door inside locking	10.563	21.	BUMPER - Glass	10.716
6.	ROD - Handle to lock connector	10.529	22.	BRACKET - Bumper	10.716
7.	RETAINER - Locking barrel	10.553	23.	DOOR ASSEMBLY - Less trim	10.351
8.	HANDLE - Ventilator locking	10.664		PANEL ASSEMBLY	12.895
9.	BARREL ASSEMBLY	10.550		PANEL - Outer	12.895
10.	CONTROL ASSEMBLY - Lock remote	10.500	24.	GLASS - Door rear	10.681
11.	CHANNEL ASSEMBLY - Glass support ...	10.685	25.	WEATHERSTRIP - Door dust	10.694
12.	ROD - Remote control connecting	10.506	26.	PLATE - Window regulator handle brg. ...	10.797
13.	HANDLE ASSEMBLY - Remote	10.512	27.	SPRING - Window regulator handle	10.806
14.	REGULATOR ASSEMBLY - Window	10.783	28.	PLATE - Door handle bearing	10.515
15.	LOCK ASSEMBLY - Door	10.470	29.	SPRING - Door handle	10.513
16.	HANDLE ASSEMBLY - Window regulator..	10.747			



REAR DOOR

ILLUS. REF. NO.	PART NAME	GROUP	ILLUS. REF. NO.	PART NAME	GROUP
1.	HANDLE ASSY. - Outside	10.527	15.	STUD - Channel retainer to inner panel ..	10.829
2.	KNOB - Door inside locking rod	10.559	16.	HANDLE ASSY. - Window regulator	10.757
3.	CHANNEL ASSY. - Division	10.829	17.	CHANNEL - Glass run - upper	10.759
4.	CONTROL ASSY. - Door lock remote	10.500	18.	GLASS - Door fixed	10.827
5.	ROD - Remote control connecting	10.506	19.	WEATHERSTRIP - Fixed glass	10.822
6.	LEVER ASSY. - Inside locking	10.556	20.	GLASS - Door sliding	10.741
7.	ROD - Door inside locking	10.563	21.	WEATHERSTRIP - Door dust	10.694
8.	CHANNEL ASSY. - Glass support	10.747	22.	SPRING - Door handle	10.512
9.	ROD - Lock to lever	10.556	23.	PLATE - Door handle bearing	10.515
10.	LOCK ASSY. - Door	10.473	24.	SPRING - Window regulator handle	10.806
11.	HANDLE ASSY. - Door remote	10.512	25.	PLATE - Window regulator handle bearing ..	10.797
12.	REGULATOR ASSY. - Window	10.791	26.	DOOR ASSY. - Less trim	10.373
13.	ARM REST ASSY. - Door	14.762		PANEL ASSY.	12.913
14.	NUT - Channel retainer to inner panel	10.829		PANEL - Outer	12.913

HOLDEN "LJ" PARTS CATALOGUE

GROUP	DESCRIPTION	SIDE	PART No.	QTY.	822	823		824/828		825	829
					11	11	69	11	69	69	11
10.150	MOTOR – Windshield wiper (contd.)										
	BEARING SET - Drive end(LUCAS)		VS10560	1	X	X	X	X	X	X	X
	BEARING SET - Yoke(LUCAS)		VS11848	1	X	X	X	X	X	X	X
	BOLT - Through(LUCAS)		VS12251	2	X	X	X	X	X	X	X
	BRUSH SET(LUCAS)		VS11844	1	X	X	X	X	X	X	X
	CONTACT - Earth(LUCAS)		VS11859	1	X	X	X	X	X	X	X
	COVER - Gear box		VS12252	1	X	X	X	X	X	X	X
	GEAR - Brush		VS12256	1	X	X	X	X	X	X	X
	SCREW - Armature thrust		VS10557	1	X	X	X	X	X	X	X
	SCREW - Cover attaching(LUCAS)		VS10562	4	X	X	X	X	X	X	X
	SHAFT & GEAR ASSY.		VS12254	1	X	X	X	X	X	X	X
	SPRING SET - Brush		VS11845	1	X	X	X	X	X	X	X
	STRAP - Earth		VS12253	1	X	X	X	X	X	X	X
	TERMINAL ASSY. - Switch(LUCAS)		VS11858	1	X	X	X	X	X	X	X
YOKE ASSY.		VS11851	1	X	X	X	X	X	X	X	
10.152	PLATE, SEAL, INSULATOR – W/shield wiper motor mounting										
	PLATE - Seal retainer		7432281	1	X	X	X	X	X	X	X
	INSULATOR		7432748	3	X	X	X	X	X	X	X
	RETAINER - Insulator		7432326	3	X	X	X	X	X	X	X
	SEAL		7432324	1	X	X	X	X	X	X	
10.159	LINK – Windshield wiper										
	LINK ASSY. - DriveRIGHT HAND DRIVE		2810923	1	X	X	X	X	X	X	X
	LEFT HAND DRIVE		2812770	1	X	X	X	X	X	X	
	LINK ASSY. - DrivenRIGHT HAND DRIVE		2810924	1	X	X	X	X	X	X	
	LEFT HAND DRIVE		2812769	1	X	X	X	X	X	X	
	PIVOT & BRACKET ASSY. - DriveRIGHT HAND DRIVE		2809613	1	X	X	X	X	X	X	
	LEFT HAND DRIVE		2812767	1	X	X	X	X	X	X	
	PIVOT & BRACKET ASSY. - DrivenRIGHT HAND DRIVE		2810922	1	X	X	X	X	X	X	
LEFT HAND DRIVE		2812768	1	X	X	X	X	X	X		
10.160	CLIP – Windshield wiper link retainer										
	CLIP - Drive & driven		SP1986	4	X	X	X	X	X	X	X
10.163	SWITCH & PUMP – W/ shield wiper & washer (N-LA)										
	SWITCH & PUMP ASSEMBLY		2818768	1	X	X	X	X	X	X	X
	NUT - Pump attaching		7416683	1	X	X	X	X	X	X	X
10.185	MIRROR – Rear Vision										
	MIRROR ASSEMBLY - Interior, plain		2816950	1	X	X	X	X	X	X	X
	MIRROR ASSEMBLY - Interior, anti-glare		7430042	1	X	X	X	X	X	X	X
	SCREW - Mirror support		7432145	1	X	X	X	X	X	X	X
	MIRROR ASSEMBLY - Exterior		2817539	1	X	X	X	X	X	X	X
MIRROR PACKAGE - Exterior LH, access		2825495	1	X	X	X	X	X	X	X	
10.187	SUPPORT – Rear vision mirror										
	SUPPORT ASSEMBLY - Interior		7434996	1	X	X	X	X	X	X	X
	PLATE - Support mounting		7434998	1	X	X	X	X	X	X	X
	SUPPORT - Exterior	L.H.	2819793	1	X	X	X	X	X	X	X
		R.H.	2819794	1	X	X	X	X	X	X	X
	BRACKET - Exterior mirror mounting	L.H.	2819795	1	X	X	X	X	X	X	X
	R.H.	2819796	1	X	X	X	X	X	X	X	

HOLDEN "LJ" PARTS CATALOGUE

GROUP	DESCRIPTION	SIDE	PART No.	QTY.	822		823		824/828		825	829
					11	11	69	11	69	69	11	
10.187	SUPPORT – Rear vision mirror (contd.)											
	PAD – Exterior mirror mounting	L.H.	2819797	1	X	X	X	X	X	X	X	X
		R.H.	2819798	1	X	X	X	X	X	X	X	X
	SCREW – Support to mounting bracket		SP2209	1-2	X	X	X	X	X	X	X	X
	SCREW – Mounting bracket to door		SP2284	2-4	X	X	X	X	X	X	X	X
	WASHER – Mirror to support		SP2485	1	X	X	X	X	X	X	X	X
	NUT – Mounting twin		2820823	1-2	X	X	X	X	X	X	X	X
10.203	SUN VISOR											
	SUN VISOR ASSY. – Black	L.H.	2823191BA	1	X	X	X	X	X	X	X	X
		R.H.	2823190BA	1	X	X	X	X	X	X	X	X
	SUN VISOR ASSY. – Flax	L.H.	2823191CG	1	X	X	X	X	X	X	X	X
		R.H.	2823190CG	1	X	X	X	X	X	X	X	X
	SUN VISOR ASSY. – Saddle	L.H.	2823191CA	1	X	X	X	X	X	X	X	X
		R.H.	2823190CA	1	X	X	X	X	X	X	X	X
	SUN VISOR ASSY. – Red	L.H.	2823191CB	1	X	X	X	X	X	X	X	X
		R.H.	2823190CB	1	X	X	X	X	X	X	X	X
	SUN VISOR ASSY. – Blue	L.H.	2823191CD	1	X	X	X	X	X	X	X	X
		R.H.	2823190CD	1	X	X	X	X	X	X	X	X
	SUN VISOR ASSY. – Green	L.H.	2823191CE	1	X	X	X	X	X	X	X	X
		R.H.	2823190CE	1	X	X	X	X	X	X	X	X
	SUN VISOR ASSY. – Brown	L.H.	2823191CJ	1	X	X	X	X	X	X	X	X
		R.H.	2823190CJ	1	X	X	X	X	X	X	X	X
	SUN VISOR ASSY. – Doeskin	L.H.	2823191DF	1	X	X	X	X	X	X	X	X
		R.H.	2823190DF	1	X	X	X	X	X	X	X	X
	SUN VISOR ASSY. – Cinnabar	L.H.	2823191DA	1	X	X	X	X	X	X	X	X
		R.H.	2823190DA	1	X	X	X	X	X	X	X	X
	SUN VISOR ASSY. – Indigo	L.H.	2823191DB	1	X	X	X	X	X	X	X	X
	R.H.	2823190DB	1	X	X	X	X	X	X	X	X	
SUN VISOR ASSY. – Ash	L.H.	2823191DC	1	X	X	X	X	X	X	X	X	
	R.H.	2823190DC	1	X	X	X	X	X	X	X	X	
SUN VISOR ASSY. – Juniper	L.H.	2823191DE	1	X	X	X	X	X	X	X	X	
	R.H.	2823190DE	1	X	X	X	X	X	X	X	X	
SUN VISOR ASSY. – Chestnut	L.H.	2823191DG	1	X	X	X	X	X	X	X	X	
	R.H.	2823190DG	1	X	X	X	X	X	X	X	X	
10.219	SUPPORT – Sun visor											
	SUPPORT & PIVOT ASSEMBLY	L.H.	2811375	1	X	X	X	X	X	X	X	X
		R.H.	2811376	1	X	X	X	X	X	X	X	X
	SLEEVE – Visor support		4424600	2	X	X	X	X	X	X	X	X
10.222	MIRROR PACKAGE – Instrument panel compartment vanity											
	MIRROR PACKAGE		2823599	1	X	X	X	X	X	X	X	X
	SCREW – Mirror to instrument panel		SP1896	2	X	X	X	X	X	X	X	X
10.230	PANEL – Instrument											
	PANEL ASSEMBLY		2815254	1	X	X	X	X	X	X	X	X
		RIGHT HAND DRIVE LEFT HAND DRIVE	2815255			X	X			X		
10.256	COVER – Instrument panel radio opening											
	COVER – Black		2819097BA	1	X	X	X	X	X	X	X	X
	COVER – Ash		2819097DD	1	X	X	X	X	X	X	X	X
	COVER – Chestnut		2819097DG	1	X	X	X	X	X	X	X	X
	COVER – Brown		2819097CJ	1	X	X	X	X	X	X	X	X
	COVER – Green		2819097CE	1	X	X	X	X	X	X	X	
10.260	COMPARTMENT – Instrument panel											
	COMPARTMENT ASSEMBLY		2806847	1	X	X	X	X	X	X	X	X
	NUT – Instrument panel compartment box		4558184	4	X	X	X	X	X	X	X	X

HOLDEN "LJ" PARTS CATALOGUE

GROUP	DESCRIPTION	SIDE	PART No.	QTY.	822	823	824/828	825	829
					11	11	69	11	69
10.261	LID – Instrument panel compartment								
	LID ASSEMBLY		2818349	1	X				
	LID ASSEMBLY		2818352	1		X	X	X	X
10.262	HINGE – Instrument panel comp. lid								
	HINGE ASSEMBLY		7441890	1	X	X	X	X	X
10.263	BUMPER – Instrument panel compartment lid								
	BUMPER		2806613	2	X	X	X	X	X
10.264	STOP – Instrument panel comp. lid								
	STOP ASSEMBLY		7198842	1	X	X	X	X	X
	BUSH ASSEMBLY		7447311	1	X	X	X	X	X
10.266	LOCK – Instrument panel comp. lid								
	LOCK ASSEMBLY – Coded with keys		8786143	1	X	X	X	X	X
	LOCK ASSEMBLY – Uncoded		8786144	1	X	X	X	X	X
	CASE ASSEMBLY		3934137	1	X	X	X	X	X
	ESCUTCHEON – Lock case		3922831	1	X	X	X	X	X
	WASHER – Escutcheon		4416740	1	X	X	X	X	X
10.268	STRIKER – Instrument panel comp. lid lock								
	STRIKER		2818408	1	X	X	X	X	X
10.307	PANEL – Shroud ventilator front								
	PANEL ASSEMBLY RIGHT HAND DRIVE		2806464	1	X	X	X	X	X
	LEFT HAND DRIVE		2810862	1		X	X	X	
10.351	DOOR – Front, less trim								
	DOOR ASSEMBLY	L.H.	2816027	1	X	X	X		X
		R.H.	2816028	1	X	X	X		X
	DOOR ASSEMBLY	L.H.	2816025	1		X	X	X	
		R.H.	2816026	1		X	X	X	
10.373	DOOR – Rear, less trim								
	DOOR ASSEMBLY	L.H.	2816029	1		X	X	X	
		R.H.	2816030	1		X	X	X	
10.450	HINGE – Front door								
	HINGE ASSY. – Upper & lower (door section)		7187454	4	X	X	X	X	X
	HINGE ASSY. – Upper & lower (body section)		7189391	4	X	X	X	X	X
10.456	HINGE – Rear door upper								
	HINGE ASSEMBLY	L.H.	8814075	1		X	X	X	
		R.H.	8814074	1		X	X	X	
	PACKING – Door hinge		8814150	A.R.		X	X	X	
10.460	HINGE – Rear door lower								
	HINGE ASSEMBLY	L.H.	8814115	1		X	X	X	
		R.H.	8814114	1		X	X	X	
	PACKING – Door hinge		8814150	A.R.		X	X	X	
10.466	PIN – Door hinge								
	PIN – Front door		7191398	4	X	X	X	X	X
	PIN – Rear door		7191398	4		X	X	X	

HOLDEN "LJ" PARTS CATALOGUE

GROUP	DESCRIPTION	SIDE	PART No.	QTY.	822	823		824/828		825	829	
					11	11	69	11	69	69	11	
10.470	LOCK – Front door LOCK ASSEMBLY	L.H.	2806539	1	X	X	X	X	X	X	X	
		R.H.	2806538	1	X	X	X	X	X	X	X	
10.473	LOCK – Rear door LOCK ASSEMBLY	L.H.	2806711	1			X		X	X		
		R.H.	2806710	1			X		X	X		
10.475	SPRING – Door lock SPRING – Front door lever control	L.H.	7960945	1	X	X	X	X	X	X	X	
		R.H.	7960944	1	X	X	X	X	X	X	X	
		L.H.	7960383	1	X	X	X	X	X	X	X	
		R.H.	7960382	1	X	X	X	X	X	X	X	
		L.H.	7960945	1			X		X	X		
		R.H.	7960944	1			X		X	X		
		L.H.	7960383	1			X		X	X		
		R.H.	7960382	1			X		X	X		
10.500	CONTROL – Door lock remote CONTROL ASSEMBLY – Front door	L.H.	2806549	1	X	X	X	X	X	X	X	
		R.H.	2806550	1	X	X	X	X	X	X	X	
			NUT – Speed	7193404	4	X	X	X	X	X	X	X
		L.H.	CONTROL ASSEMBLY – Rear door	7438993	1			X		X	X	
		R.H.		7438994	1			X		X	X	
10.506	ROD – Door lock remote control ROD – Front door connecting	L.H.	2810875	1	X	X		X			X	
		R.H.	2810874	1	X	X		X			X	
		L.H.	2810877	1			X		X	X		
		R.H.	2810876	1			X		X	X		
			ROD – Rear door connecting	7438707	2			X		X	X	
			CLIP – Anti-rattle, front door	2810873	2	X	X	X	X	X	X	X
			CLIP – Anti-rattle, rear door	4110664	2			X		X	X	
			CLIP – Rod end	4576655	A.R.	X	X	X	X	X	X	X
10.511	STRAP – Door pull-to STRAP ASSY. – Trim Nos. 40A		7441283BA	2	X							
			7441283CK	2	X							
			7441283CL	2	X							
			7441283BW	2	X							
			7441283CM	2	X							
			7441283CY	2	X							
			7441283DJ	2	X							
			7441283DK	2	X							
			7441283DL	2	X							
			7441283DM	2	X							
			7447343BA	4	X							
			7447343CA	4	X							
			7447343CB	4	X							
			7447343BT	4	X							
			7447343CJ	4	X							
			7447343DA	4	X							
			7447343DB	4	X							
			7447343DC	4	X							
			7447343DG	4	X							
		10.512	HANDLE – Door remote HANDLE ASSEMBLY		7435242	2-4	X	X	X	X	X	X

HOLDEN "LJ" PARTS CATALOGUE

GROUP	DESCRIPTION	SIDE	PART No.	QTY.	822	823		824/828		825	829
					11	11	69	11	69	69	11
10.513	SPRING – Door handle SPRING – Door handle retainer		4168122	2-4	X	X	X	X	X	X	X
10.515	PLATE – Inside door handle bearing PLATE		7731353	2-4	X	X	X	X	X	X	X
10.527	HANDLE – Door outside HANDLE ASSEMBLY – Front		2807232	2	X	X	X	X	X	X	X
	HANDLE ASSEMBLY – Rear	L.H.	2807233	1			X		X	X	
		R.H.	2807234	1			X		X	X	
10.529	SPRING, ROD, CLIP, SUPPORT – Door outside handle SPRING – Return	L.H.	2806917	2-4	X	X	X	X	X	X	X
		R.H.	2806916	2-4	X	X	X	X	X	X	X
	ROD – Front handle to lock connector		2806410	2	X	X	X	X	X	X	X
	ROD – Rear handle to lock connector		2806456	2			X		X	X	
	NUT – Rod adjusting		2806603	2-4	X	X	X	X	X	X	X
	CLIP – Handle to lock connector rod	L.H.	2806911	1	X	X	X	X	X	X	X
		R.H.	2806912	1	X	X	X	X	X	X	X
	SUPPORT ASSEMBLY		2807051	2-4	X	X	X	X	X	X	X
10.538	GASKET – Door outside handle GASKET		2807141	4-8	X	X	X	X	X	X	X
10.550	BARREL – Door locking BARREL ASSEMBLY – With keys	L.H.	2819285	1	X	X	X	X	X	X	X
		R.H.	2819284	1	X	X	X	X	X	X	X
	SERVICE PACKAGE – Uncoded RIGHT HAND DRIVE		M37124	2	X	X	X	X	X	X	X
 LEFT HAND DRIVE		601063	1			X		X	X	
	GASKET – Door lock cylinder		4587931	2	X	X	X	X	X	X	X
	TUMBLER – No. 1 (Package of 100) LEFT HAND DRIVE		3901061	1		X	X			X	
	TUMBLER – No. 2 (Package of 100) LEFT HAND DRIVE		3901062	1		X	X			X	
	TUMBLER – No. 3 (Package of 100) LEFT HAND DRIVE		3901063	1		X	X			X	
	TUMBLER – No. 4 (Package of 100) LEFT HAND DRIVE		3901064	1		X	X			X	
	SPRING – Tumbler	LEFT HAND DRIVE	601260	A.R.		X	X			X	
	RETAINER – Tumbler spring	LEFT HAND DRIVE	601261	2		X	X			X	
	CLIP – Spring (3 arm)	LEFT HAND DRIVE	32596	A.R.		X	X			X	
	CASE – Lock	LEFT HAND DRIVE	81221	A.R.		X	X			X	
	CAP – Case	LEFT HAND DRIVE	32353	A.R.		X	X			X	
	PAWL	LEFT HAND DRIVE	32652	A.R.		X	X			X	
	CLIP – Pawl retaining	LEFT HAND DRIVE	7006092	2		X	X			X	
10.553	RETAINER – Door locking barrel RETAINER		4884405	2	X	X	X	X	X	X	X
10.556	LEVER, ROD, CLIP – Rear door inside locking LEVER ASSEMBLY		7199697	2			X		X	X	
	ROD – Lock to lever		7438719	2			X		X	X	
	CLIP – Locking rod to inner panel		4110664	2			X		X	X	
	CLIP – Rod end		4576655	2			X		X	X	
10.559	KNOB – Door inside locking rod KNOB		7434562	2-4	X	X	X	X	X		
	KNOB		7434563	2-4						X	X

HOLDEN "LJ" PARTS CATALOGUE

GROUP	DESCRIPTION	SIDE	PART No.	QTY.	822		823		824/828		825	829
					11	11	69	11	69	69	11	
10.563	ROD – Door inside locking											
	ROD - Front		2806554	2	X	X	X	X	X	X	X	X
	ROD - Rear		7439078	2			X		X	X		
	CLIP - Locking rod		2825090	2	X	X	X	X	X	X	X	X
10.569	STRIKER – Door lock											
	STRIKER ASSEMBLY	L.H.	7977599	1-2	X	X	X	X	X	X	X	X
		R.H.	7977598	1-2	X	X	X	X	X	X	X	X
10.571	PLATE, RETAINER – Door lock striker											
	PLATE - Tooth	L.H.	7977601	1-2	X	X	X	X	X	X	X	X
		R.H.	7977600	1-2	X	X	X	X	X	X	X	X
	PLATE - Adjusting upper		6369136	2-4	X	X	X	X	X	X	X	X
	PLATE - Adjusting lower		6369137	2-4	X	X	X	X	X	X	X	X
	PLATE - Anchor		6386546	2	X	X		X				X
	PLATE - Front door anchor		7439689	2			X		X	X		
	PLATE - Rear door anchor		7448941	2			X		X	X		
	RETAINER - Anchor plate	L.H.	6395753	1	X	X		X				X
		R.H.	6395752	1	X	X		X				X
	PLATE - Packing		2812042	A.R.	X	X	X	X	X	X	X	X
10.587	BUMPER – Body pillar											
	BUMPER		6303904	2			X		X	X		
10.606	LINK – Door check											
	LINK ASSEMBLY - Front door		8813026	2	X	X	X	X	X	X	X	X
	LINK ASSEMBLY - Rear door check	L.H.	8818273	1			X		X	X		
		R.H.	8818272	1			X		X	X		
	SPRING - Check link		7196754	2-4	X	X	X	X	X	X	X	X
	RIVET - Link to stop bracket		SP1963	A.R.	X	X	X	X	X	X	X	X
10.608	BRACKET – Front door check link pivot											
	BRACKET ASSEMBLY		7199530	2	X	X	X	X	X	X	X	X
10.608	BRACKET – Rear door check link stop											
	BRACKET ASSY.	LH	8818273	1			X	X	X	X		
		RH	8818272	1			X	X	X	X		
10.650	VENTILATOR – Front door											
	VENTILATOR ASSEMBLY	L.H.	7193029	1	X	X	X	X	X	X	X	X
		R.H.	7193028	1	X	X	X	X	X	X	X	X
10.652	WEATHERSTRIP – Front door ventilator											
	WEATHERSTRIP	L.H.	7437135	1	X	X	X	X	X	X	X	X
		R.H.	7437136	1	X	X	X	X	X	X	X	X
10.655	CHANNEL – Front door ventilator w/strip retainer											
	CHANNEL ASSEMBLY	L.H.	7192851	1	X	X	X	X	X	X	X	X
		R.H.	7192850	1	X	X	X	X	X	X	X	X
	PLATE - Ventilator filler	L.H.	7193033	1	X	X	X	X	X	X	X	X
		R.H.	7193032	1	X	X	X	X	X	X	X	X

HOLDEN "LJ" PARTS CATALOGUE

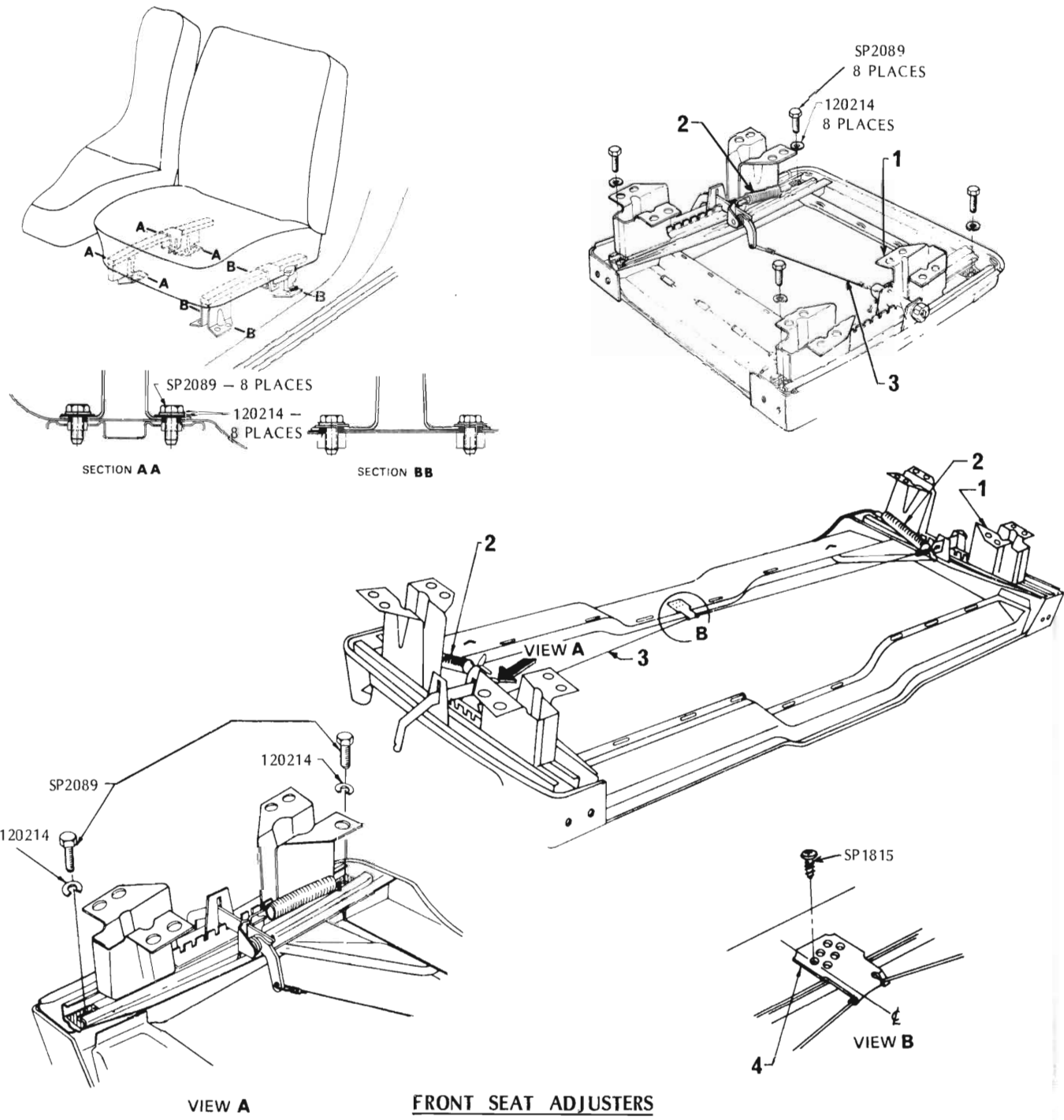
GROUP	DESCRIPTION	SIDE	PART No.	QTY.	822	823		824/828		825	829
					11	11	69	11	69	69	11
10.658	GLASS – Front door ventilator										
	GLASS ASSEMBLY	L.H.	7192873	1	X	X	X	X	X	X	X
		R.H.	7192872	1	X	X	X	X	X	X	X
	GLASS	L.H.	7192535	1	X	X	X	X	X	X	X
		R.H.	7192534	1	X	X	X	X	X	X	
10.664	HANDLE – Front door ventilator locking										
	HANDLE	L.H.	7447501	1	X	X	X	X	X	X	X
		R.H.	7447502	1	X	X	X	X	X	X	X
	PIN		6387058	2	X	X	X	X	X	X	X
	SPRING		7410133	2	X	X	X	X	X	X	X
WASHER		7082016	2	X	X	X	X	X	X	X	
10.669	PIVOT – Front door ventilator										
	PIVOT - Upper	L.H.	7199827	1	X	X	X	X	X	X	X
		R.H.	7199826	1	X	X	X	X	X	X	X
	PIVOT - Upper support		7165633	2	X	X	X	X	X	X	X
	PIN - Upper pivot		7165742	2	X	X	X	X	X	X	X
	PIVOT - Lower		7192633	2	X	X	X	X	X	X	X
	STOP - Friction		7192788	2	X	X	X	X	X	X	X
	SUPPORT - Friction unit		7199910	2	X	X	X	X	X	X	X
	WASHER - Friction unit nylon		7199825	4	X	X	X	X	X	X	X
	WASHER - Friction unit steel		7199824	4	X	X	X	X	X	X	X
	WASHER - Spring		9906074	2	X	X	X	X	X	X	X
	SCREW - Pivot to glass		7199844	4	X	X	X	X	X	X	X
10.681	GLASS – Front door rear										
	GLASS	L.H.	7448261	1	X	X		X			X
		R.H.	7448260	1	X	X		X			X
	GLASS	L.H.	7437621	1			X		X	X	
	R.H.	7437622	1			X		X	X		
10.685	CHANNEL – Front door glass support										
CHANNEL ASSEMBLY		7158729	2	X	X	X	X	X	X	X	
10.686	CHANNEL – Front door glass division										
	CHANNEL ASSEMBLY - Division	L.H.	7199847	1	X	X	X	X	X	X	X
		R.H.	7199846	1	X	X	X	X	X	X	X
NUT - Division channel door		SP1235	2	X	X	X	X	X	X	X	
CHANNEL - Glass run		7192641	2	X	X	X	X	X	X	X	
10.694	WEATHERSTRIP – Door dust										
	WEATHERSTRIP ASSEMBLY - Front	L.H.	7192521	1	X	X		X			X
		R.H.	7192520	1	X	X		X			X
	WEATHERSTRIP ASSEMBLY - Front	L.H.	2805687	1			X		X	X	
		R.H.	2805688	1			X		X	X	
	WEATHERSTRIP ASSEMBLY - Rear	L.H.	2813467	1			X		X	X	
		R.H.	2813466	1			X		X	X	
	SEAL - Rr. door weatherstrip frt. lower corner	L.H.	7438665	1			X		X	X	
		R.H.	7438664	1			X		X	X	
PLATE - Weatherstrip sealing		8820900	2			X		X	X		

HOLDEN "LJ" PARTS CATALOGUE

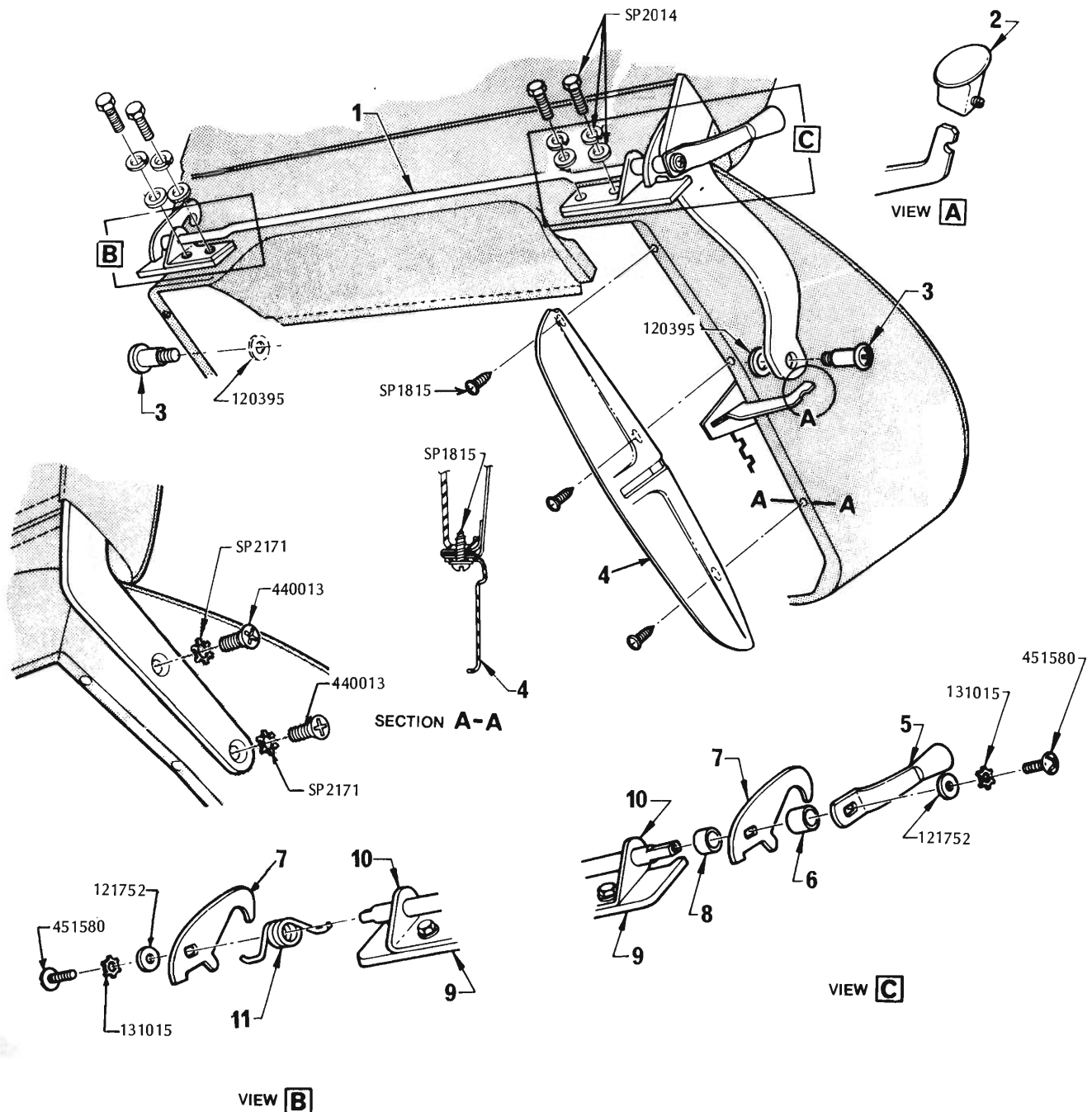
GROUP	DESCRIPTION	SIDE	PART No.	QTY.	822	823		824/828		825	829	
					11	11	69	11	69	69	11	
10.695	FASTENER, RETAINER – Door weatherstrip											
	FASTENER – Front			6387326	42	X	X	X	X	X	X	X
	FASTENER – Rear			6387326	38			X		X	X	
	RETAINER – Rear door, front		L.H.	2811011	1			X		X	X	
			R.H.	7438204	1			X		X	X	
	RETAINER – Rear door, rear		L.H.	2806105	1			X		X	X	
			R.H.	2806104	1			X		X	X	
RETAINER – Rear door, upper			2806103	2			X		X	X		
10.696	FILLER – Door window channel											
	FILLER			7125717	2	X	X		X			X
FILLER			6392496	2-4			X		X	X		
10.701	CHANNEL – Door glass run											
	CHANNEL – Front door, rear			7192641	2	X	X	X	X	X	X	X
	CHANNEL – Front door, upper			7192640	2	X	X		X			X
CHANNEL – Front door, upper			8814310	2			X		X	X		
10.710	STRIP – Door glass run channel											
	STRIP ASSEMBLY – Front door, inner			7191139	2	X	X		X			X
	STRIP ASSEMBLY – Front door, inner			8815818	2			X		X	X	X
	STRIP – Front door, outer seal		L.H.	7191451	1	X	X		X			X
			R.H.	7191450	1	X	X		X			X
	STRIP – Front door, outer seal		L.H.	7437637	1			X		X	X	
			R.H.	7437638	1			X		X	X	
	STRIP ASSEMBLY – Rear door, inner seal			8815816	2			X		X	X	
STRIP ASSEMBLY – Rear door, outer seal		L.H.	2805451	1			X		X	X		
		R.H.	2805450	1			X		X	X		
10.712	CLIP – Door belt sealing strip											
	CLIP – Front door			7447833	8	X	X		X			X
	CLIP – Front door			7437728	10			X		X	X	
	CLIP – Rear door			7437728	10			X		X	X	
	CLIP – Rear door			8815997	10			X		X	X	
10.716	BUMPER, BRACKET – Front door glass											
	BUMPER			6303904	2	X	X	X	X	X	X	X
BRACKET ASSY. – Bumper & anti-drum			7448564	2	X	X	X	X	X	X	X	
10.741	GLASS – Rear door, sliding											
	GLASS		L.H.	2805457	1			X		X	X	
		R.H.	2805456	1			X		X	X		
10.747	CHANNEL – Rear door glass support											
	CHANNEL ASSEMBLY			7158729	2			X		X	X	
10.759	CHANNEL – Rear door glass run											
	CHANNEL			2806097	2			X		X	X	
CHANNEL – Upper			2806098	2			X		X	X		
10.783	REGULATOR – Front door window											
	REGULATOR ASSEMBLY		L.H.	7437561	1	X	X	X	X	X	X	X
			R.H.	7437562	1	X	X	X	X	X	X	X
	SPRING – Clutch			4157887	2	X	X	X	X	X	X	X
WASHER – Regulator assembly			7413223	2	X	X	X	X	X	X	X	

HOLDEN "LJ" PARTS CATALOGUE

GROUP	DESCRIPTION	SIDE	PART No.	QTY.	822		823		824/828		825		829	
					11	11	69	11	69	69	11			
10.791	REGULATOR – Rear door window													
	REGULATOR ASSEMBLY	L.H.	2813565	1			X		X	X				
		R.H.	2813564	1			X		X	X				
	SPRING – Clutch		4157887	2			X		X	X				
	WASHER – Regulator assembly		7413223	2			X		X	X				
10.797	HANDLE – Door window regulator													
	HANDLE ASSEMBLY		7435027	2-4	X	X	X	X	X	X	X	X	X	X
	SPRING – Handle retainer		4168122	2-4	X	X	X	X	X	X	X	X	X	X
	PLATE – Handle bearing		7731353	2-4	X	X	X	X	X	X	X	X	X	X
10.806	SPRING – Window regulator handle escutcheon													
	SPRING		4566746	2-4	X	X	X	X	X	X	X	X	X	X
10.822	WEATHERSTRIP – Rear door fixed glass													
	WEATHERSTRIP	L.H.	2806241	1			X		X	X				
		R.H.	2806242	1			X		X	X				
10.827	GLASS – Rear door fixed													
	GLASS	L.H.	2805543	1			X		X	X				
		R.H.	2805544	1			X		X	X				
10.829	CHANNEL – Rear door division													
	CHANNEL ASSEMBLY	L.H.	2805393	1			X		X	X				
		R.H.	2805394	1			X		X	X				
	SCREW – Channel to inner panel		SP2427	2			X		X	X				
	NUT – Channel retainer to inner panel		SP1991	2			X		X	X				
	STUD – Channel retainer to inner panel		7421168	2			X		X	X				
10.998	BRACKET, PLATE, FASTENER – Quarter window													
	BRACKET – Upper		2806078	2	X	X		X					X	
	BRACKET – Lower		2806079	2	X	X		X					X	
	BRACKET – Window attaching	L.H.	2806077	1	X									
		R.H.	2806076	1	X									
	BRACKET – Hinge		7449749	4	X	X		X					X	
	PLATE ASSEMBLY – Fastener attaching		7447027	2	X	X		X					X	
	BRACKET – Ventilator link		2806080	2		X		X					X	
	FASTENER – Ventilator	L.H.	7162127	1		X		X					X	
		R.H.	7162126	1		X		X					X	
	PIN – Fastener to glass		6392432	2		X		X					X	



ILLUS. REF. NO.	PART NAME	GROUP
1.	ADJUSTER ASSY.	11.561
2.	SPRING - Assist	11.581
3.	WIRE - Auxiliary locking	11.589
4.	BRACKET - Wire support	11.589



FRONT SEAT SAFETY LOCK

ILLUS. REF. NO.	PART NAME	GROUP
1.	SHAFT - Safety lock	11.377
2.	KNOB - Front seat adjuster	11.588
3.	BOLT - Side arm to cushion	11.377
4.	GUARD - Front seat adjuster	14.860
5.	KNOB & HANDLE ASSY. - Safety lock release	11.377
6.	SPACER - Handle	11.377
7.	LOCK - Arm safety	11.377
8.	SPACER - Safety lock	11.377
9.	STOP - Arm	11.377
10.	BRACKET - Shaft mounting	11.377
11.	SPRING - Lock return	11.377

HOLDEN "LJ" PARTS CATALOGUE

GROUP	DESCRIPTION	SIDE	PART No.	QTY.	822		823		824/828		825	829
					11	11	69	11	69	69	11	
11.006	FRAME – Rear quarter window											
	FRAME ASSEMBLY – Front	L.H.	2807067	1	X	X		X				X
		R.H.	2807068	1	X	X		X				X
	FRAME ASSEMBLY – Rear	L.H.	2806071	1	X							
		R.H.	2806070	1	X							
	FRAME ASSEMBLY – Rear	L.H.	2806035	1		X		X				X
	R.H.	2806036	1		X		X				X	
11.007	FILLER – Rear quarter window frame											
	FILLER – Front		2805955	2	X	X		X				X
	FILLER – Rear		2805956	2	X	X		X				X
11.011	GLASS – Rear quarter window											
	GLASS	L.H.	2805919	1	X	X		X				X
		R.H.	2805918	1	X	X		X				X
11.015	WEATHERSTRIP – Rear quarter window frame											
	WEATHERSTRIP		2820577	2	X	X		X				X
11.119	TRIM – Rear quarter garnish											
	TRIM – Antique gold	L.H.	C785BB	1		X		X				X
		R.H.	C784BB	1		X		X				X
	TRIM – Antique saddle	L.H.	C785CA	1		X		X				X
		R.H.	C784CA	1		X		X				X
	TRIM – Calypso red	L.H.	C785CB	1		X		X				X
		R.H.	C784CB	1		X		X				X
	TRIM – Turquoise mist	L.H.	C785BD	1		X		X				X
	TRIM – Twilight blue	L.H.	C785BE	1		X		X				X
	TRIM – Medium blue	L.H.	C785CD	1		X		X				X
		R.H.	C784CD	1		X		X				X
	TRIM – Olive green	L.H.	C785CE	1		X		X				X
		R.H.	C784CE	1		X		X				X
	TRIM – Sandalwood	L.H.	C785BG	1		X		X				X
		R.H.	C784BG	1		X		X				X
	TRIM – Flax	L.H.	C785CG	1		X		X				X
		R.H.	C784CG	1		X		X				X
	TRIM – Antique brown	L.H.	C785CJ	1		X		X				X
		R.H.	C784CJ	1		X		X				X
	TRIM – Cinnabar	L.H.	C785DA	1		X		X				X
		R.H.	C784DA	1		X		X				X
	TRIM – Indigo	L.H.	C785DB	1		X		X				X
		R.H.	C784DB	1		X		X				X
	TRIM – Ash	L.H.	C785DC	1		X		X				X
		R.H.	C784DC	1		X		X				X
	TRIM – Juniper	L.H.	C785DE	1		X		X				X
		R.H.	C784DE	1		X		X				X
	TRIM – Doeskin	L.H.	C785DF	1		X		X				X
	R.H.	C784DF	1		X		X				X	
TRIM – Chestnut	L.H.	C785DG	1		X		X				X	
	R.H.	C784DG	1		X		X				X	
11.175	PLATE – Front door scuff											
	PLATE		7439798	2	X	X		X				X
	PLATE		7438596	2			X		X	X		
11.179	PLATE – Rear door scuff											
	PLATE	L.H.	7439885	1			X		X	X		
		R.H.	7439886	1			X		X	X		

HOLDEN "LJ" PARTS CATALOGUE

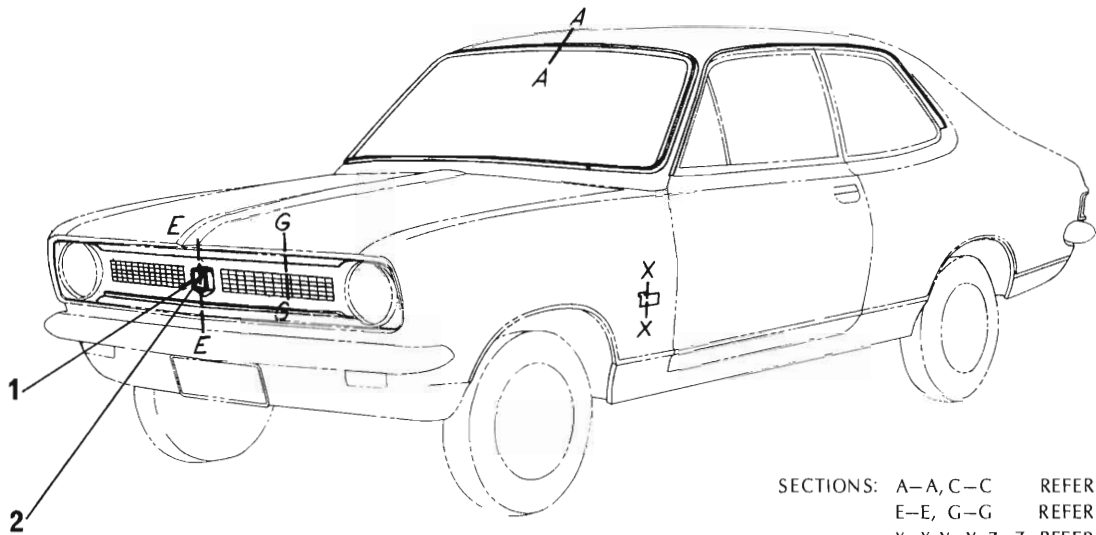
GROUP	DESCRIPTION	SIDE	PART No.	QTY.	822	823		824/828		825	829
					11	11	69	11	69	69	11
11.179	SUPPORT – Rear floor cover										
	SUPPORT	L.H.	7439883	1			X		X	X	
		R.H.	7439884	1			X		X	X	
11.200	FRAME – Rear window										
	FRAME		7449761	1	X	X	X	X	X	X	X
11.204	GLASS – Rear window										
	GLASS		7448909	1	X	X	X	X	X	X	X
11.207	CHANNEL – Rear window glass										
	CHANNEL		7449100	1	X	X	X	X	X	X	X
11.208	ESCUTCHEON, INSERT – Rear window glass										
	ESCUTCHEON		2814720	2		X	X	X	X	X	X
	INSERT		2824708	1		X	X	X	X	X	X
11.373	SPRING & FRAME – Front seat										
	SPRING & FRAME – Cushion (Bucket Seat)	L.H.	2820637	1	X	X		X			X
		R.H.	2820636	1	X	X		X			X
	SPRING & FRAME – Back (Bucket Seat)	L.H.	2822757	1	X	X		X			
		R.H.	2822756	1	X	X		X			
	SPRING & FRAME – Back (Bucket Seat)	L.H.	2820623	1							X
		R.H.	2820622	1							X
	SPRING & FRAME – Cushion (Bucket Seat)		2822765	2			X		X	X	
	SPRING & FRAME – Back (Bucket Seat)		2822751	2			X		X	X	
	SPRING & FRAME ASSY. (Bench Seat)		2819562	1			X			X	
11.374	SPRING, CLIP – Front seat back										
	SPRING ASSY. – Lower (Bucket Seat)		2820627	2	X	X	X	X	X	X	X
	CLIP – Springs to supports		7401768	A.R.	X	X	X	X	X	X	X
	CLIP – Seat cover to frame		7100321	4-16	X	X	X	X	X	X	X
	RING HOG		4556605	A.R.	X	X	X	X	X	X	X
11.376	ROD, GUIDE, SPRING – Front seat head restraint										
	ROD – Adjuster	L.H.	2816977	2	X	X	X	X	X	X	X
		R.H.	2816978	2	X	X	X	X	X	X	X
	GUIDE		2816979	4	X	X	X	X	X	X	X
	SPRING – Retainer		2807062	4	X	X	X	X	X	X	X
11.377	PARTS – Front seat back lock										
	KNOB & HANDLE ASSY. – Release		7434920	2	X	X		X			X
	SPACER – Handle		7435305	2	X	X		X			X
	SHAFT – Safety lock	L.H.	2810943	1	X	X		X			X
		R.H.	2810942	1	X	X		X			X
	BRACKET – Shaft mounting	L.H.	7434913	2	X	X		X			X
		R.H.	7434914	2	X	X		X			X
	STOP – Arm		2805678	4	X	X		X			X
	LOCK – Arm safety		7434911	4	X	X		X			X
	SPACER – Safety lock		7434921	2	X	X		X			X
	SPRING – Lock return	L.H.	7434917	1	X	X		X			X
		R.H.	7434916	1	X	X		X			X
	PLATE – Lock safety		6369136	8			X		X	X	
	BOLT – Side arm to cushion		2805633	4	X	X		X			X
RETAINER – Side arm inner & outer		2805586	4	X	X		X			X	

HOLDEN "LJ" PARTS CATALOGUE

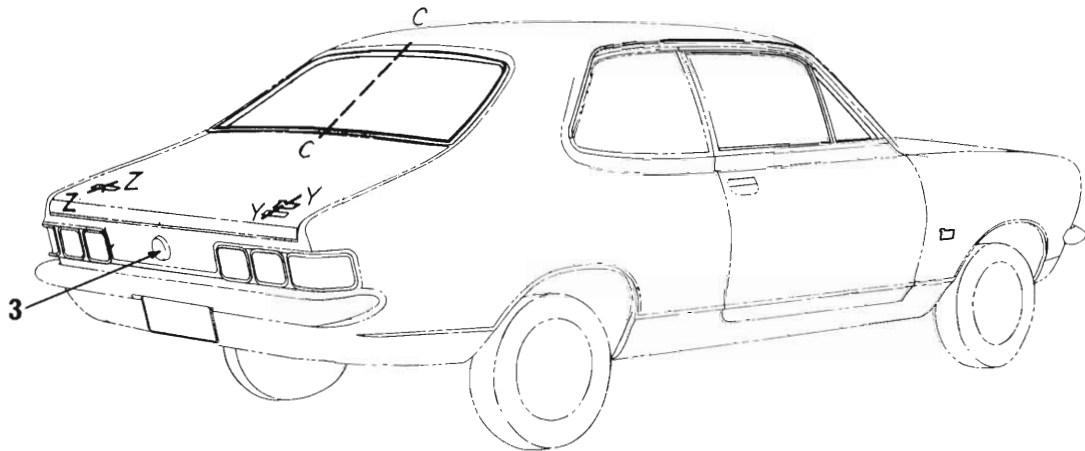
GROUP	DESCRIPTION	SIDE	PART No.	QTY.	822		823		824/828		825	829
					11	11	69	11	69	69	11	
11.420	SPRING, WIRE, CLIP – Front seat cushion											
	SPRING – Main (Bucket Seat)		2820638	8	X	X	X	X	X	X	X	X
	SPRING – End (Bucket Seat)		2820639	4	X	X	X	X	X	X	X	X
	WIRE – Border (Bucket Seat)		2820640	2	X	X	X	X	X	X	X	X
	SPRING – Main (Bench Seat)		7420983	10			X				X	
	SPRING – End (Bench Seat)		7420984	2			X				X	
	CLIP – Springs to border wires		7401768	52	X	X	X	X	X	X	X	X
CLIP – Cover to frame		7100321	8			X				X		
11.561	ADJUSTER – Front seat											
	ADJUSTER ASSY. – Outer (Bucket Seat)	L.H.	2805421	1	X	X	X	X	X	X	X	X
		R.H.	2805420	1	X	X	X	X	X	X	X	X
	ADJUSTER ASSY. – Inner (Bucket Seat)	L.H.	2805415	1	X	X	X	X	X	X	X	X
		R.H.	2805414	1	X	X	X	X	X	X	X	X
	ADJUSTER ASSY. – (Bench Seat)RIGHT HAND DRIVE	L.H.	2806043	1			X				X	
		R.H.	2805420	1			X				X	
		L.H.	2805421	1			X				X	
		R.H.	2806044	1			X				X	
	BOLT – Front seat to underbody		SP2093	8-16	X	X	X	X	X	X	X	X
BOLT – Seat adjuster to spring & frame		SP2089	4-8	X	X	X	X	X	X	X	X	
11.581	SPRING – Front seat adjuster											
	SPRING – Assist		4304426	2-4	X	X	X	X	X	X	X	X
	SPRING – Lock bar – coil – 3/8"		7410377	1-2	X	X	X	X	X	X	X	X
11.582	RETAINER – Front seat adjuster spring											
	RETAINER		4301315	1-2	X	X	X	X	X	X	X	X
11.588	KNOB – Front seat adjuster											
	KNOB ASSEMBLY		7430531	1-2	X	X	X	X	X	X	X	X
11.589	WIRE, BRACKET – Front seat adjuster											
	WIRE – Auxiliary locking (Bucket Seat)		2806810	2	X	X	X	X	X	X	X	X
	BRACKET – Wire support (Bench Seat)		7416930	1			X				X	
11.595	REINFORCEMENT – Seat adjuster											
	REINFORCEMENT ASSY. – Inner (Bucket Seat)		2805551	2	X	X	X	X	X	X	X	X
11.610	SPRING & FRAME – Rear seat cushion											
	SPRING & FRAME ASSEMBLY		7447250	1	X	X		X				X
	SPRING & FRAME ASSEMBLY		7437763	1			X		X	X		
11.611	SPRING, CLIP, RING – Rear seat cushion											
	SPRING – Main		7447246	6-8	X	X	X	X	X	X	X	X
	SPRING – Intermediate		7447247	2	X	X		X				X
	SPRING – Intermediate		7437765	2			X		X	X		
	SPRING – Centre		7447248	3	X	X	X	X	X	X	X	X
	SPRING – Outer		7447249	2	X	X		X				X
	CLIP – Wire		7401768	A.R.	X	X	X	X	X	X	X	X
	RING – Hog		4556605	8	X	X		X				X
11.628	SPRING & FRAME – Rear seat back											
	SPRING & FRAME ASSEMBLY		2805769	1	X	X	X	X	X	X	X	X

HOLDEN "LJ" PARTS CATALOGUE

GROUP	DESCRIPTION	SIDE	PART No.	QTY.	822		823		824/828		825		829	
					11	11	69	11	69	69	11			
11.629	SPRING, CLIP – Rear seat back													
	SPRING – Main		2805771	9	X	X	X	X	X	X	X	X	X	X
	SPRING – Intermediate		2805772	2	X	X	X	X	X	X	X	X	X	X
	SPRING – Outer		2805773	2	X	X	X	X	X	X	X	X	X	X
	CLIP – Wire		7401768	40	X	X	X	X	X	X	X	X	X	X
	RING HOG		4556605	13	X	X	X	X	X	X	X	X	X	X
11.634	RETAINER – Rear seat back													
	RETAINER – Upper		7416348	4	X	X	X	X	X	X	X	X	X	X
	RETAINER – Lower		6303008	4	X	X	X	X	X	X	X	X	X	X
11.925	BASE – Dome lamp													
	BASE ASSEMBLY		7447836	1	X	X	X	X	X	X	X	X	X	X
	BULB – Festoon, 12 volt 6 watt		1023366	1	X	X	X	X	X	X	X	X	X	X
11.928	LENS – Dome lamp													
	LENS		7447834	1	X	X	X	X	X	X	X	X	X	X
11.950	SWITCH – Courtesy light													
	BODY – Switch		2807323	2	X	X	X	X	X	X	X	X	X	X
	SPRING – Switch		2807324	2	X	X	X	X	X	X	X	X	X	X
	PLUNGER – Switch		2807325	2	X	X	X	X	X	X	X	X	X	X
	LEAD ASSEMBLY		2820190	1	X	X	X	X	X	X	X	X	X	X
11.960	LAMP – Rear compartment													
	BODY – Switch		2807323	1	X	X	X	X	X	X	X	X	X	X
	SPRING – Switch		2807324	1	X	X	X	X	X	X	X	X	X	X
	PLUNGER – Switch		2807325	1	X	X	X	X	X	X	X	X	X	X
	SOCKET & LEAD ASSEMBLY – Lamp		7438410	1							X	X	X	X
	SOCKET & LEAD ASSEMBLY – Lamp		7447637	1	X	X	X	X	X	X				
	BULB – 12 – 16 Volt 15 C.P.		455490	1	X	X	X	X	X	X	X	X	X	X
	BODY – Socket		2962066	1	X	X	X	X	X	X	X	X	X	X
	BRACKET – Switch		2806610	1	X	X	X	X	X	X	X	X	X	X
	LAMP – Package (Accessory)		2809494	1	X	X	X	X	X					



SECTIONS: A-A, C-C REFER PAGE 407
 E-E, G-G REFER PAGE 408
 X-X, Y-Y, Z-Z REFER PAGE 409

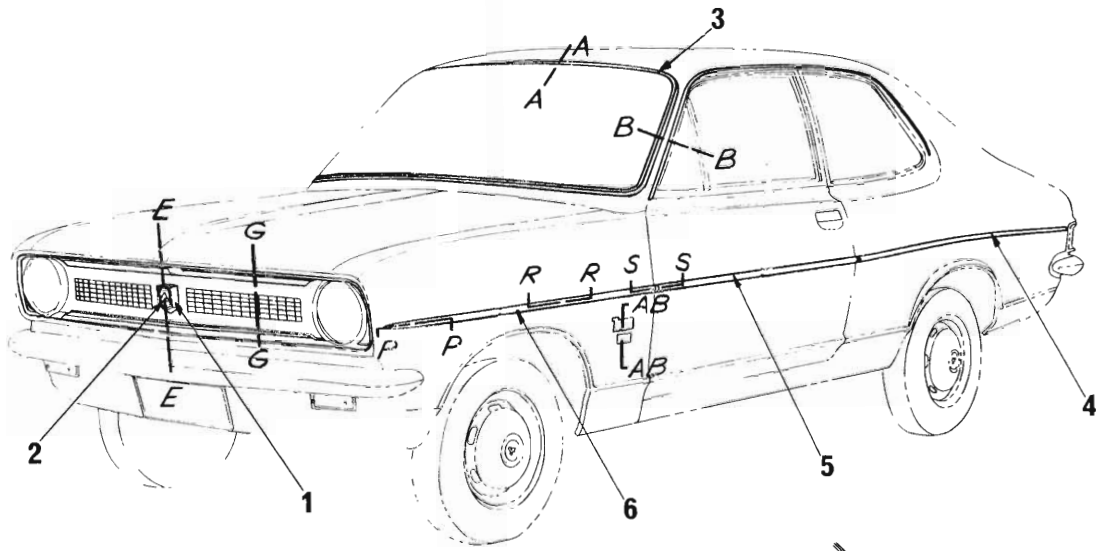


82211

BODY MOULDINGS

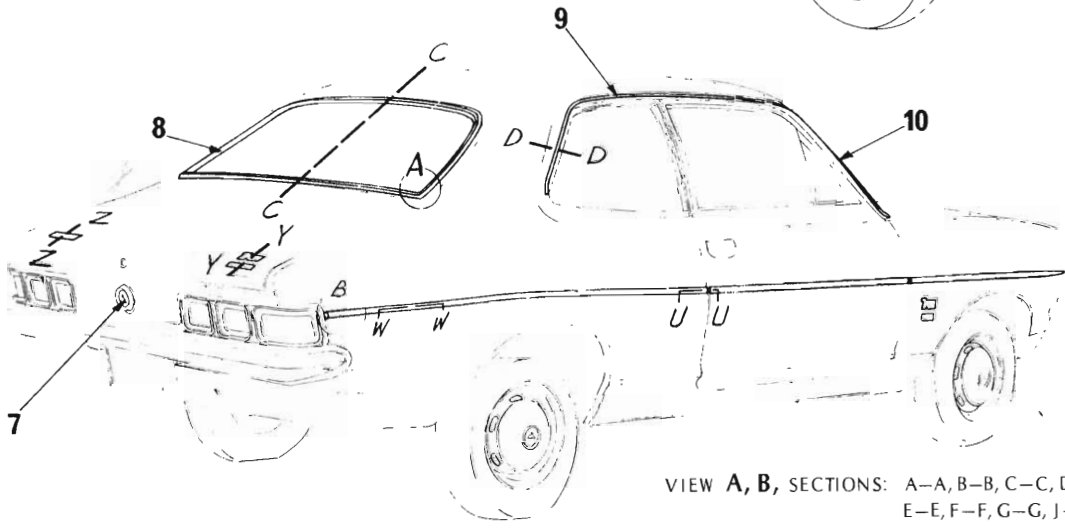
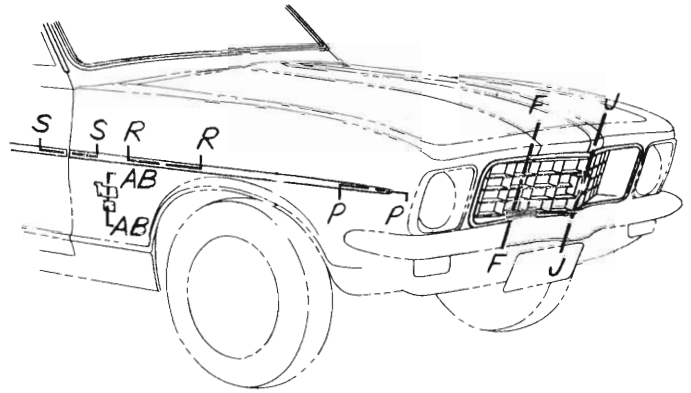
TWO DOOR SEDANS

ILLUS. REF. NO.	PART NAME	GROUP
1.	EMBLEM - Radiator grille	1.265
2.	INSERT - Radiator grille emblem	1.265
3.	INSERT - Fuel tank filler cap	3.028



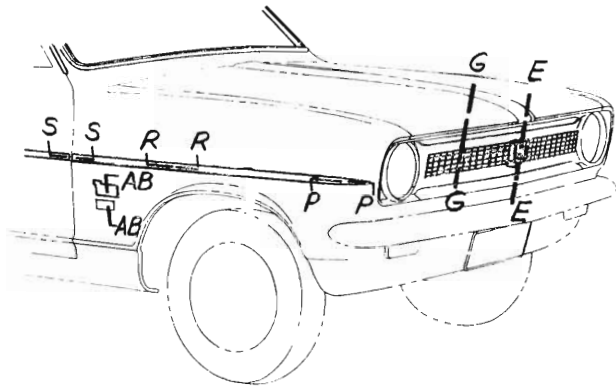
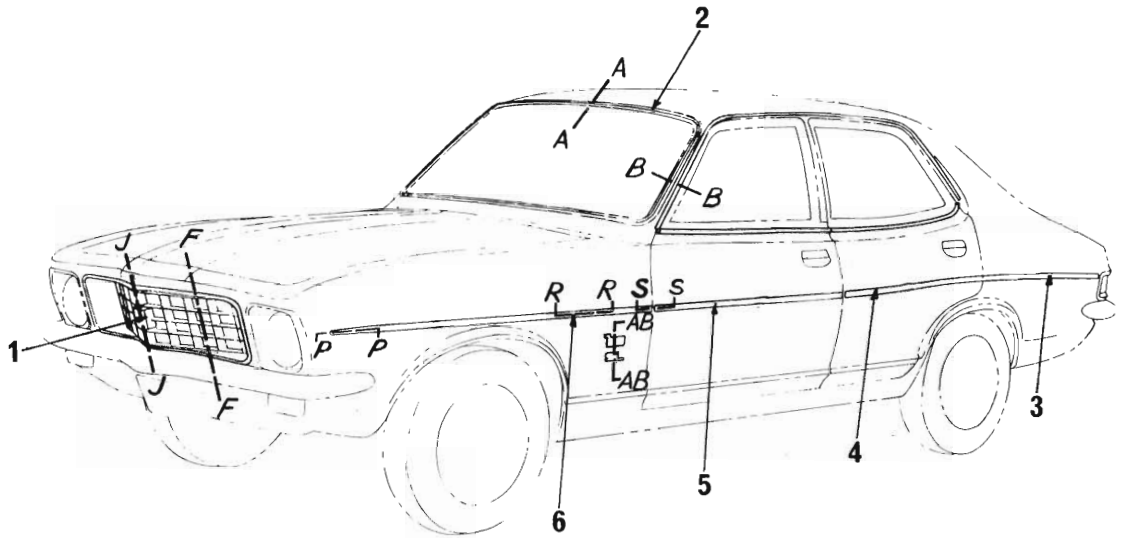
82311
82411

**BODY MOULDINGS
TWO DOOR SEDANS**



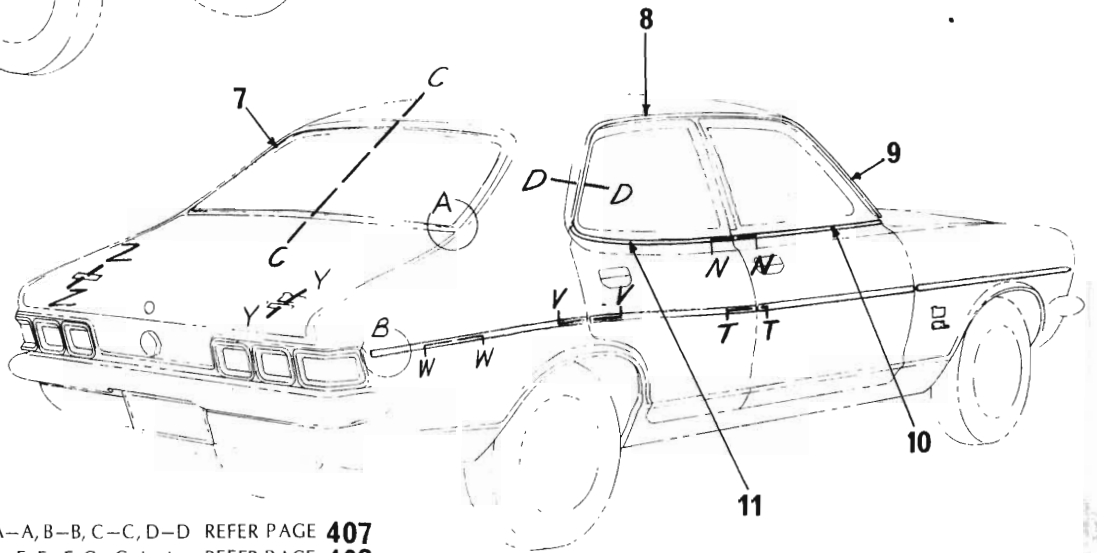
VIEW A, B, SECTIONS: A-A, B-B, C-C, D-D REFER PAGE **407**
 E-E, F-F, G-G, J-J REFER PAGE **408**
 P-P, R-R, S-S, U-U, W-W REFER PAGE **409**
 Y-Y, Z-Z, AB-AB REFER PAGE **410**

ILLUS. REF. NO.	PART NAME	GROUP	ILLUS. REF. NO.	PART NAME	GROUP
1.	EMBLEM - Radiator grille.....	1.265	6.	MOULDING - Front fender side	8.132
2.	INSERT - Radiator grille	1.265	7.	INSERT - Fuel tank filler cap	3.028
3.	INSERT - Windshield channel	10.093	8.	INSERT - Rear window glass	11.208
4.	MOULDING - Rear quarter body side	12.116	9.	MOULDING - Roof drip - Rear	12.075
5.	MOULDING - Front door body side	12.112	10.	MOULDING - Roof drip - Front	12.075



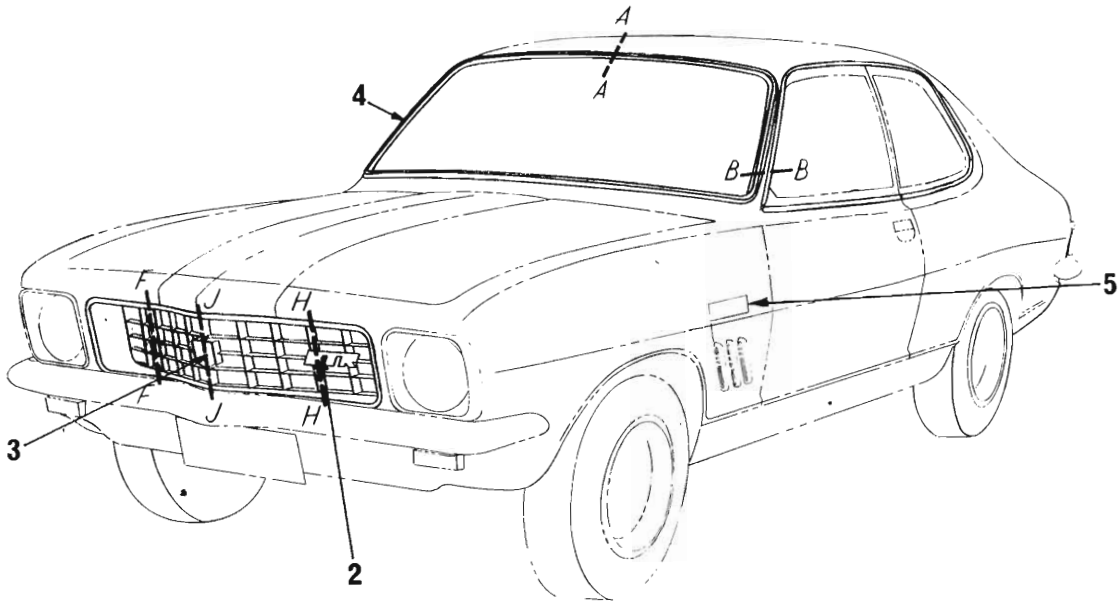
82369
82469

**BODY MOULDINGS
FOUR DOOR SEDANS**



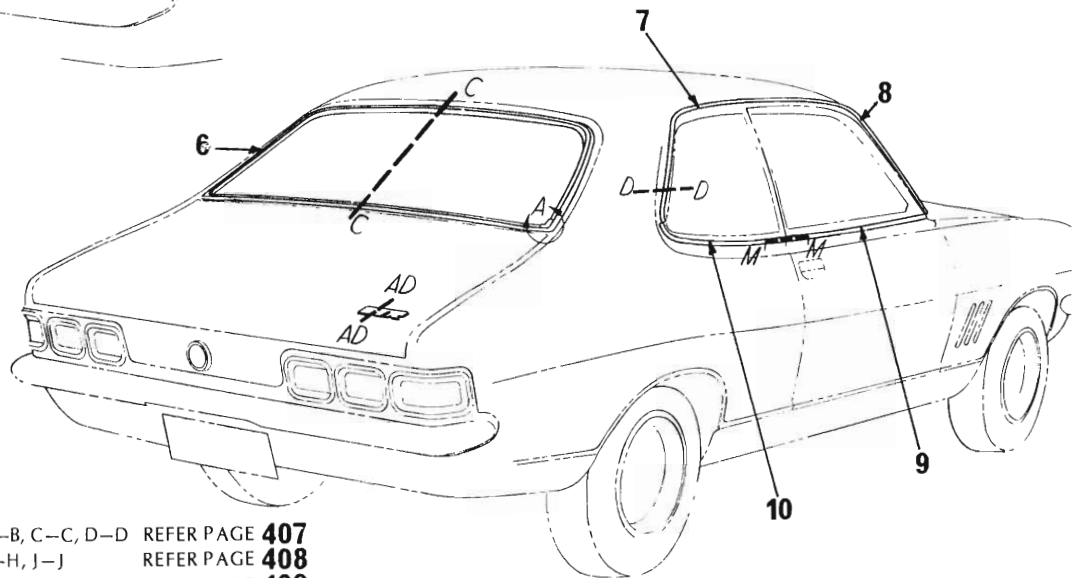
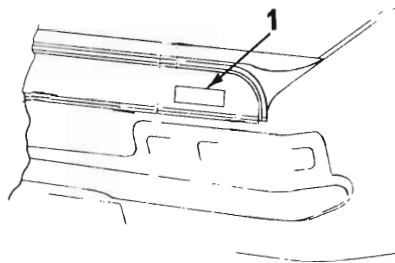
VIEW A, B, SECTIONS: A-A, B-B, C-C, D-D REFER PAGE 407
E-E, F-F, G-G, J-J REFER PAGE 408
N-N, P-P, R-R, S-S,
T-T, V-V, W-W REFER PAGE 409
Y-Y, Z-Z, AB-AB REFER PAGE 410

ILLUS. REF. NO.	PART NAME	GROUP	ILLUS. REF. NO.	PART NAME	GROUP
1.	EMBLEM - Radiator grille	1.265	7.	INSERT - Rear window glass	11.208
2.	INSERT - Windshield channel	10.093	8.	MOULDING - Roof drip - Rear	12.075
3.	MOULDING - Rear quarter body side	12.116	9.	MOULDING - Roof drip - Front	12.075
4.	MOULDING - Rear door body side	12.114	10.	MOULDING - Front door belt	12.112
5.	MOULDING - Front door body side	12.112	11.	MOULDING - Rear door belt	12.114
6.	MOULDING - Front fender side	8.132			



82911

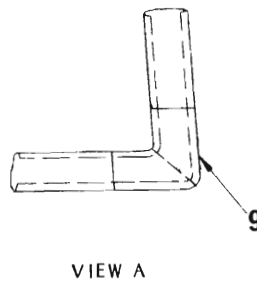
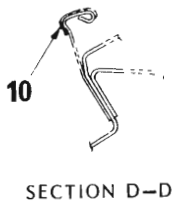
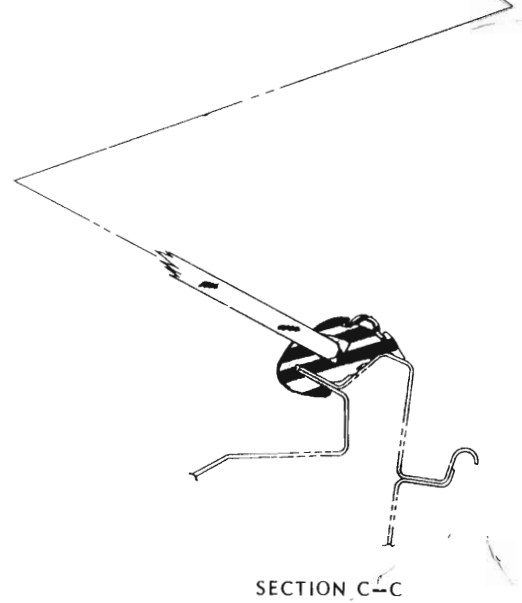
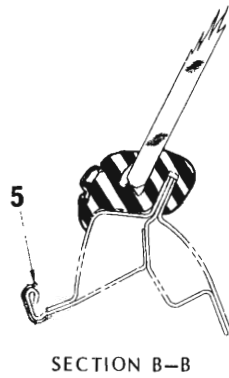
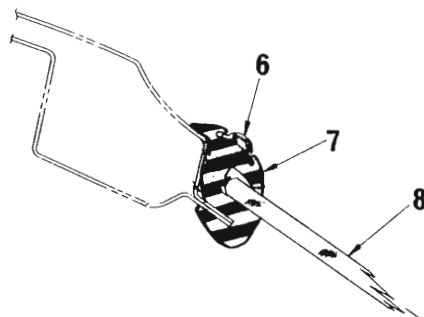
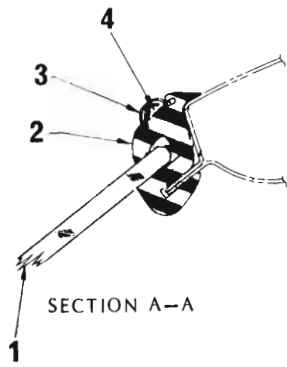
**BODY MOULDINGS
G.T.R. SEDAN**



VIEW A, SECTIONS: A-A, B-B, C-C, D-D REFER PAGE **407**
 F-F, H-H, J-J REFER PAGE **408**
 M-M REFER PAGE **409**
 AD-AD REFER PAGE **410**

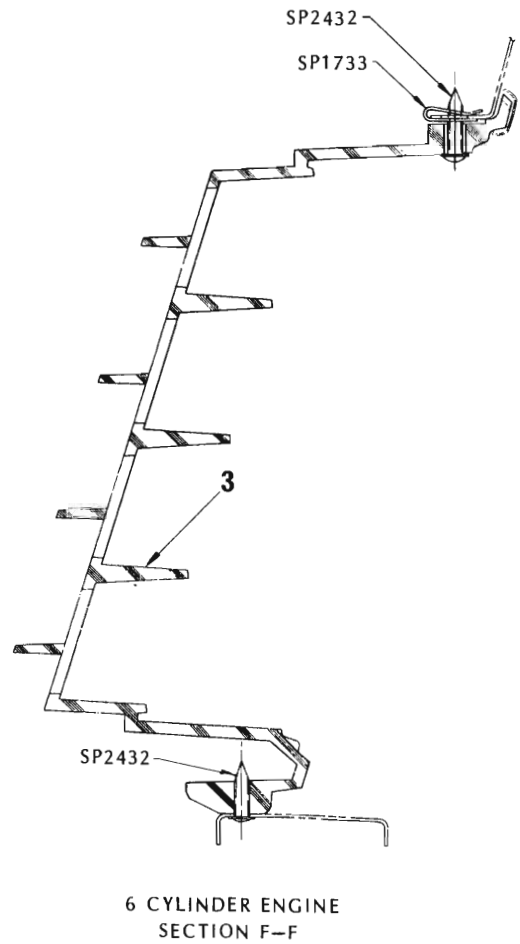
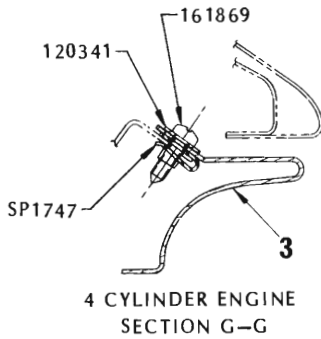
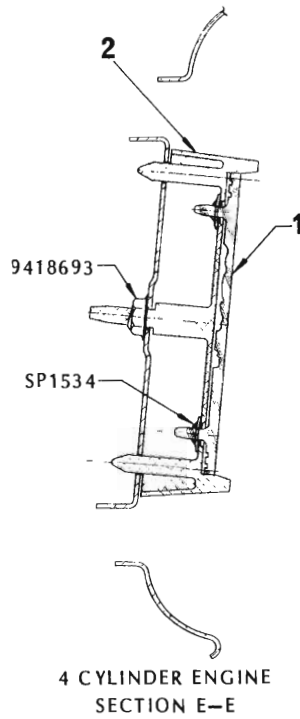
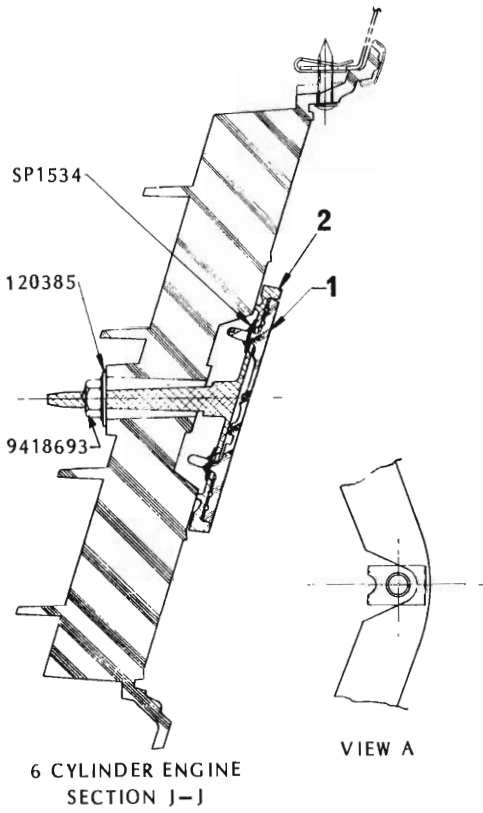
ILLUS. REF. NO.	PART NAME	GROUP	ILLUS. REF. NO.	PART NAME	GROUP
1.	TRANSFER - GTR, XU1	12.182	6.	INSERT - Rear window glass	11.208
2.	PLATE - Name GTR	1.265	7.	MOULDING - Roof drip - Rear	12.075
3.	EMBLEM - Radiator grille	1.265	8.	MOULDING - Roof drip - Front	12.075
4.	INSERT - Windshield channel	10.093	9.	MOULDING - Belt - Front door	12.112
5.	TRANSFER - GTR, XU1	8.132	10.	MOULDING - Belt - Rear quarter	12.116

HOLDEN "LJ" PARTS CATALOGUE



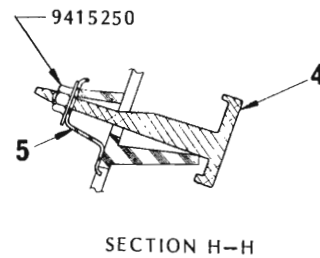
GLASS, CHANNEL, ESCUTCHEONS, INSERTS

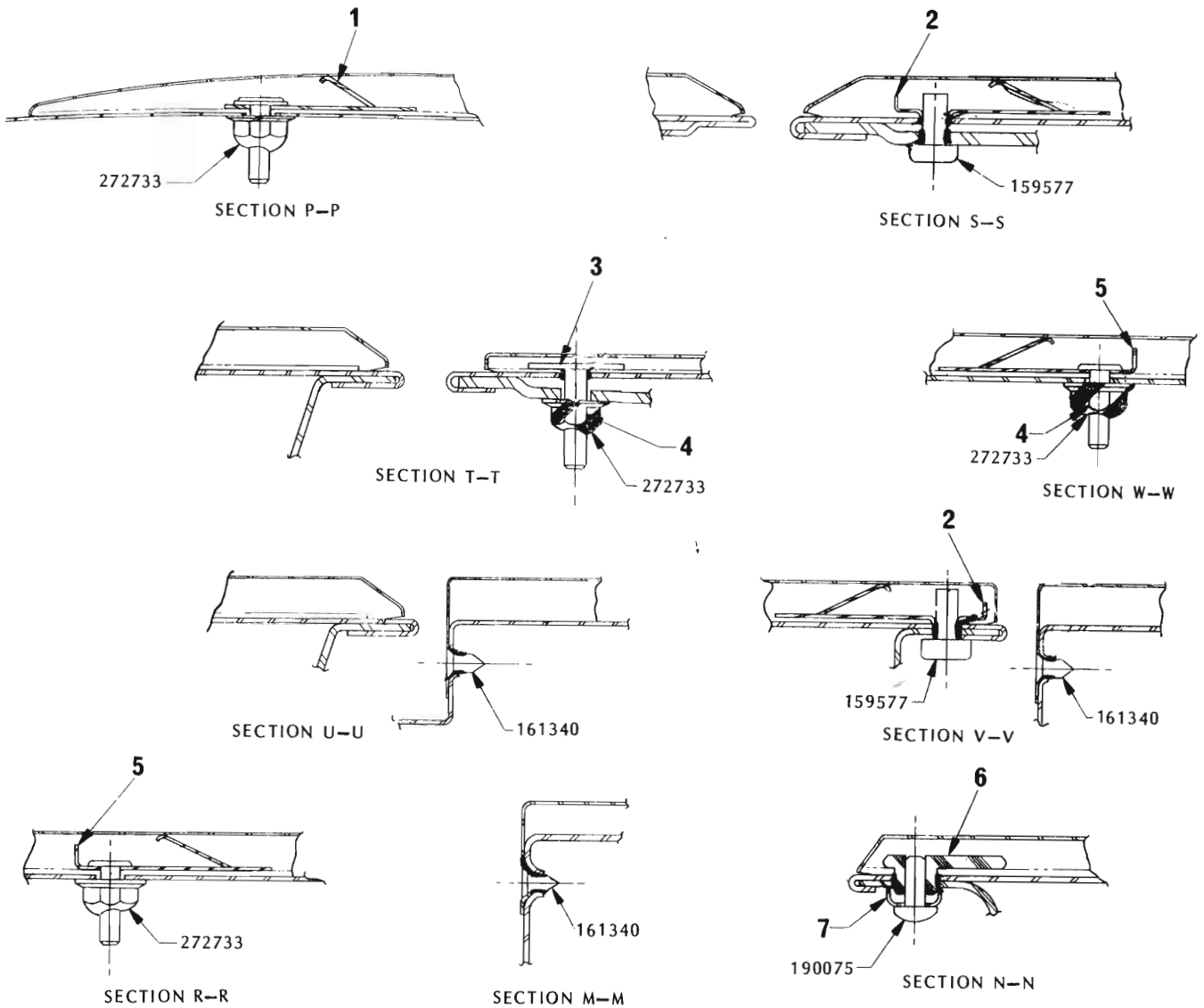
ILLUS. REF. NO.	PART NAME	GROUP	ILLUS. REF. NO.	PART NAME	GROUP
1.	GLASS - Windshield	10.027	6.	INSERT - Rear window glass	11.208
2.	CHANNEL - Windshield glass	10.092	7.	CHANNEL - Rear window glass	11.207
3.	ESCUTCHEON - Windshield channel	10.093	8.	GLASS - Rear window	11.204
4.	INSERT - Windshield channel	10.093	9.	ESCUTCHEON - Rear window glass	11.208
5.	MOULDING - Roof drip - Front	12.075	10.	MOULDING - Roof drip - Rear	12.075



GRILLE ORNAMENTATION

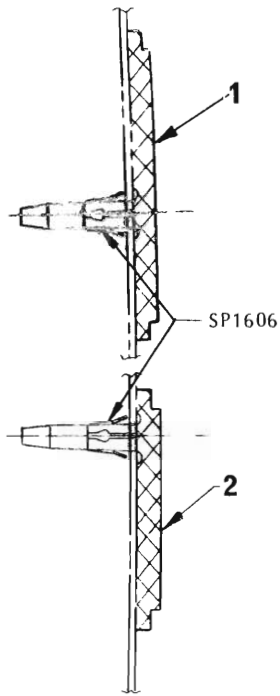
ILLUS. REF. NO.	PART NAME	GROUP
1.	INSERT - Radiator grille emblem	1.265
2.	EMBLEM - Radiator grille	1.265
3.	GRILLE - Radiator	1.266
4.	PLATE - Name - GTR	1.265
5.	BRACKET - Name plate	1.265



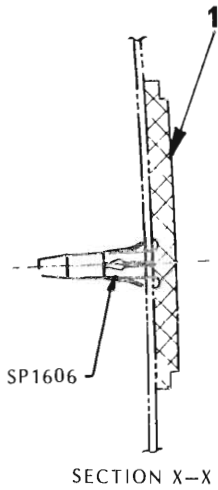


RETAINERS & SCREWS – BODY MOULDINGS

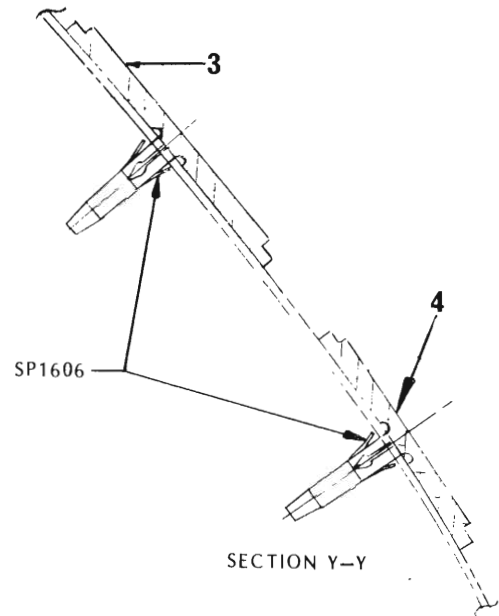
ILLUS. REF. NO.	PART NAME	GROUP
1.	RETAINER – Front fender moulding	8.132
2.	PLATE – Rear door moulding anchor	12.114
3.	RETAINER – Rear door moulding	12.114
4.	WASHER – Rear door moulding – Sealing..	12.114
5.	PLATE – Front fender moulding	8.132
6.	PLATE – Rear door belt mould. anchor	12.114
7.	WASHER – Rear door belt moulding	12.114



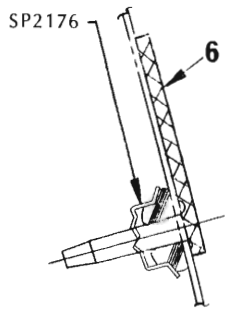
SECTION AB-AB



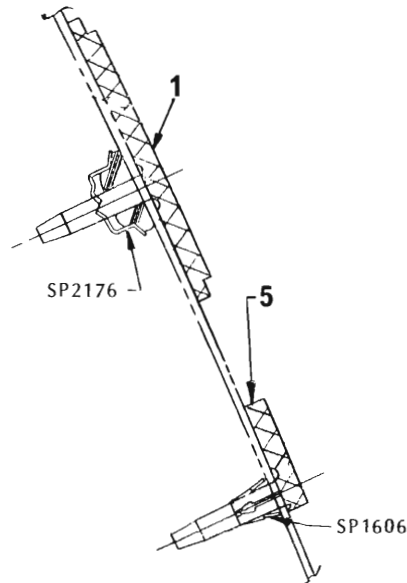
SECTION X-X



SECTION Y-Y



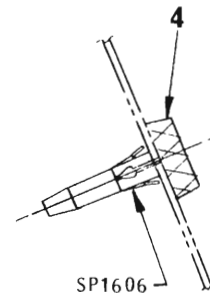
SECTION AD-AD



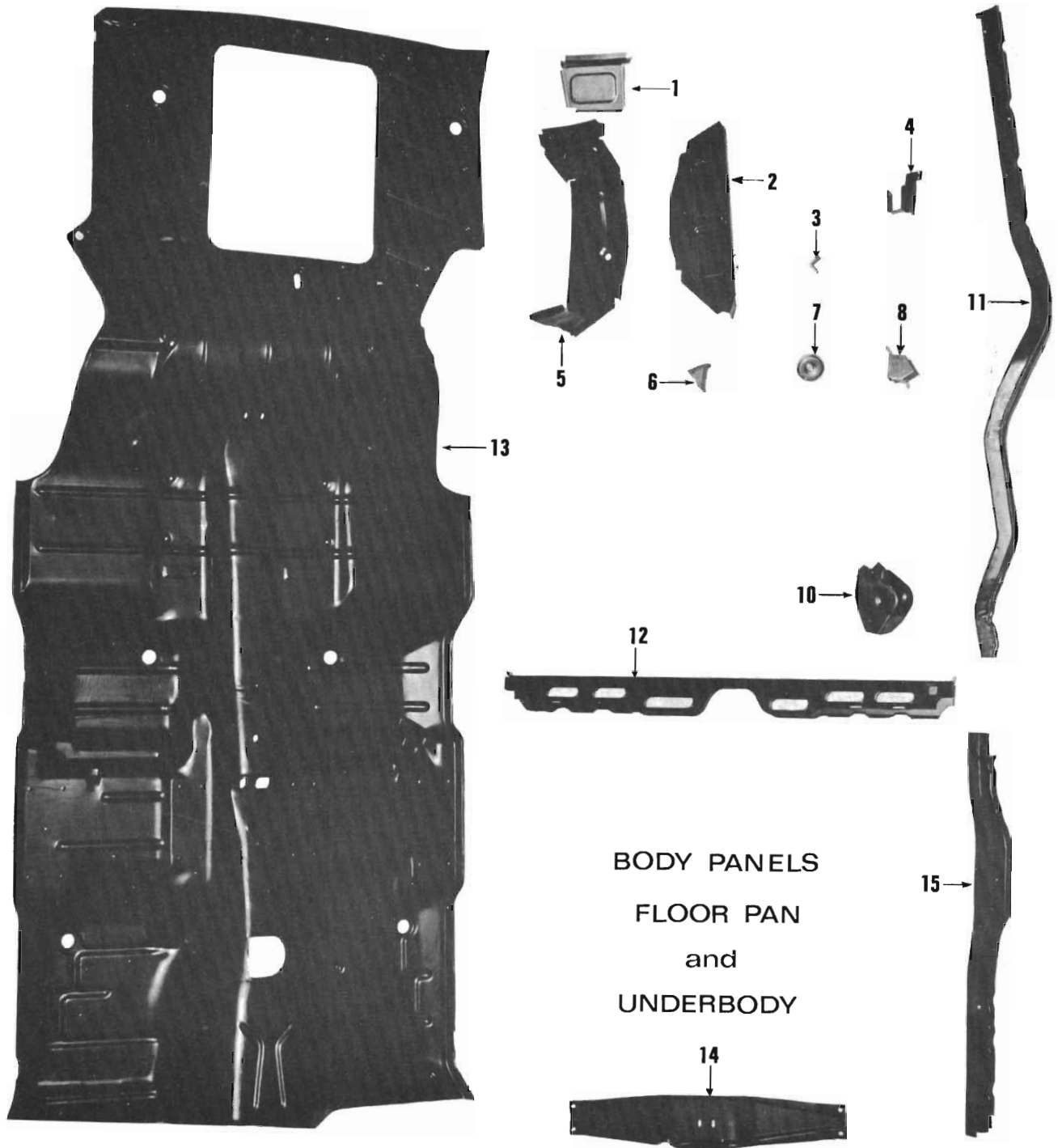
SECTION Y-Y

FENDER & DECK LID ORNAMENTATION

ILLUS. REF. NO.	PART NAME	GROUP
1.	PLATE - Fender name "Torana"	8.132
2.	PLATE - Fender name "S" or "SL"	8.132
3.	PLATE - Deck lid name "Torana"	12.182
4.	PLATE - Deck lid name "Trimatic"	12.182
5.	PLATE - Deck lid name - Eng. size	12.182
6.	PLATE - Deck lid name - G.T.R.	12.182



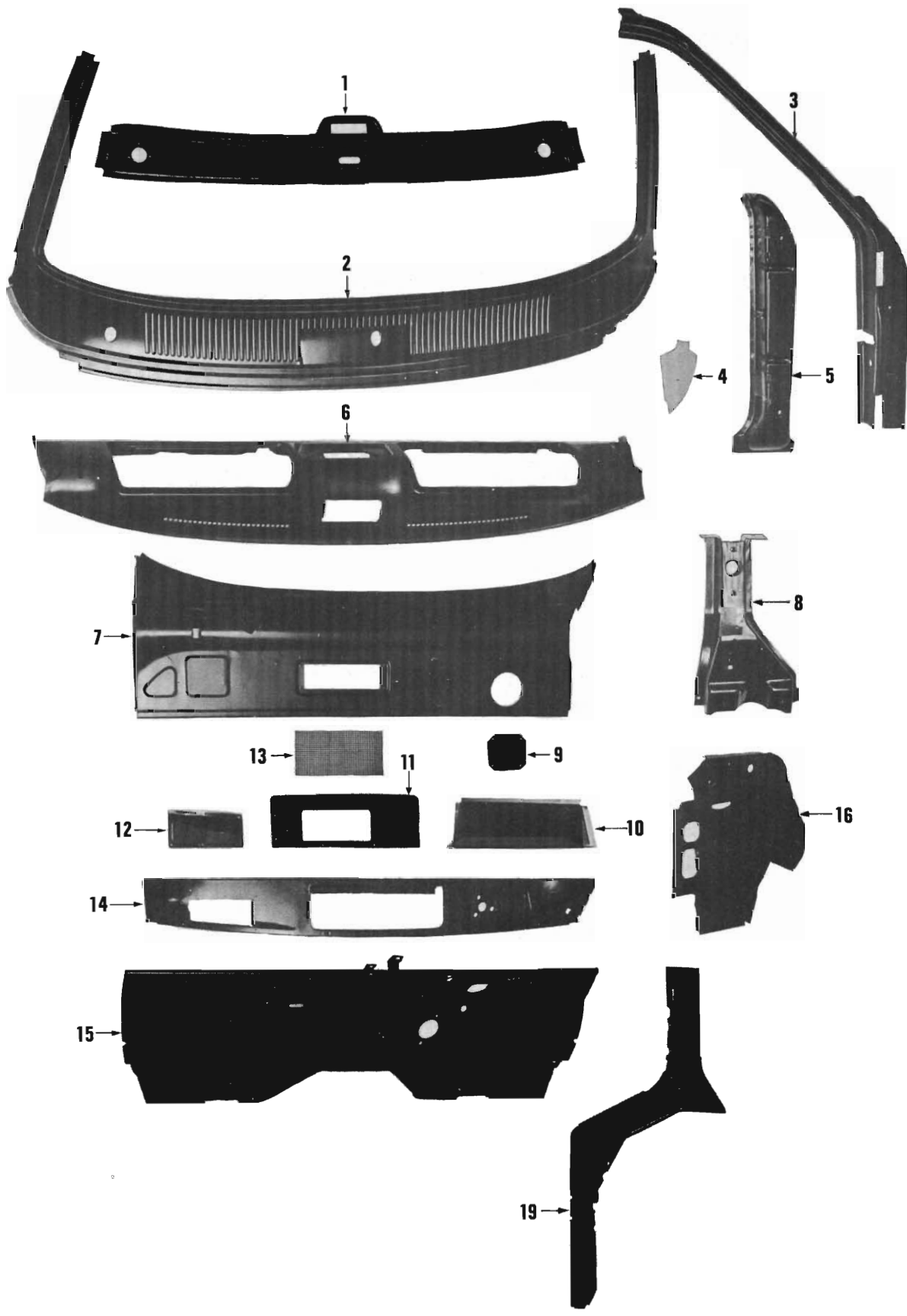
SECTION Z-Z



ILLUS. REF. NO.	PART NAME	GROUP
1.	EXTENSION - Rear end crossmember	12.982
2.	PANEL - Spare wheel housing inner	12.982
3.	BRACKET - Rear brake hose	4.681
4.	BRACKET - Muffler	3.704
5.	PANEL ASSY. - Rear end c/member ext.	12.982
6.	BRACKET - Spare wheel clamp	7.629
7.	SEAT ASSY. - Bumper stop	12.982
8.	BRACKET ASSY. - Rear spring mounting..	12.982

ILLUS. REF. NO.	PART NAME	GROUP
9.	BRACKET - Spare wheel support	7.629
10.	HANGER - Rear suspension lower arm ..	12.982
11.	MEMBER ASSY. - Longitudinal rear	12.982
12.	CROSSMEMBER - Rear seat	12.982
13.	PAN - Floor	12.972
14.	SUPPORT - Engine rear mounting	12.982
15.	MEMBER ASSY. - Longitudinal front	12.982

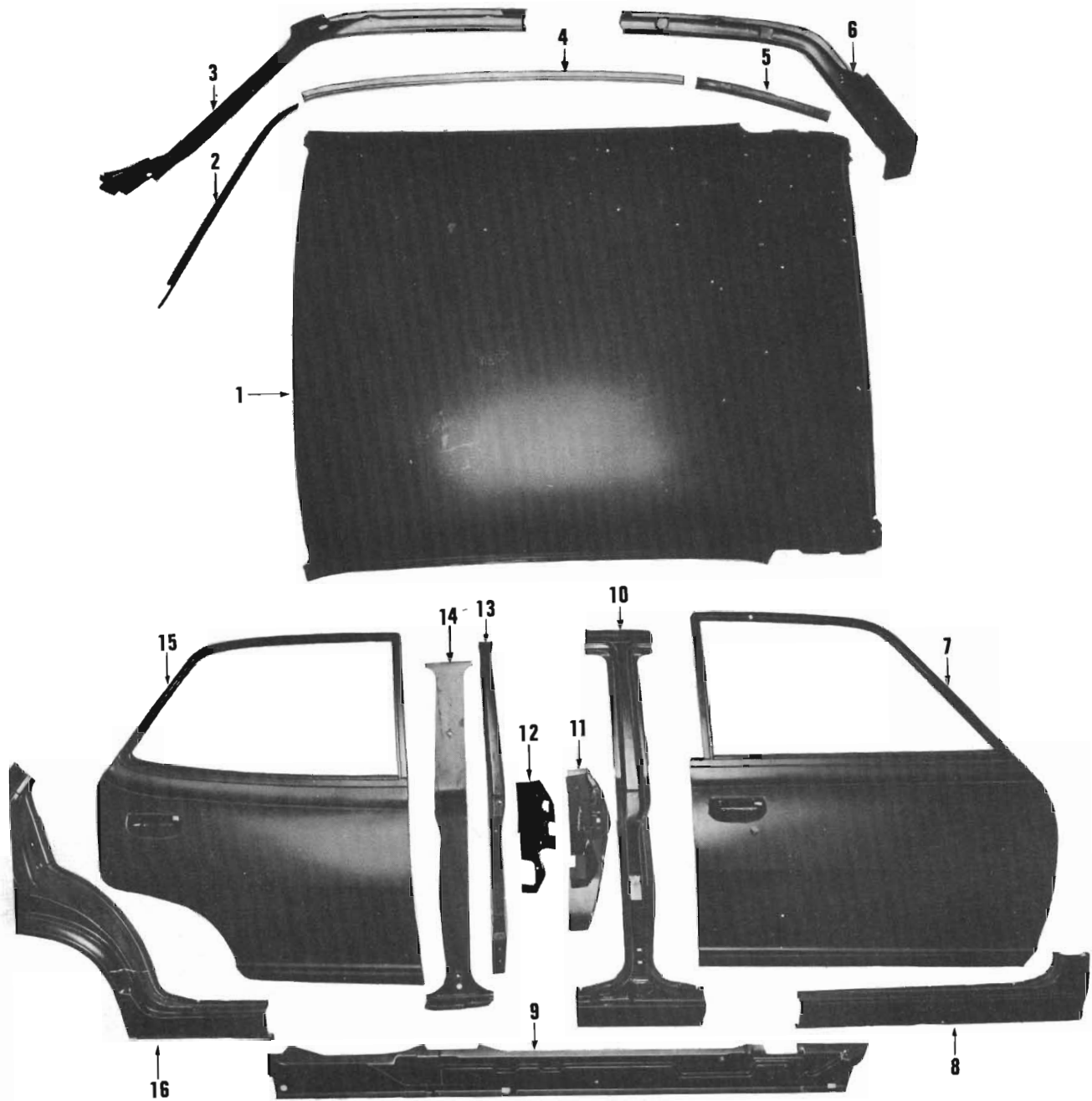
HOLDEN "LJ" PARTS CATALOGUE



BODY PANELS – FRONT END

ILLUSTRATION OPPOSITE

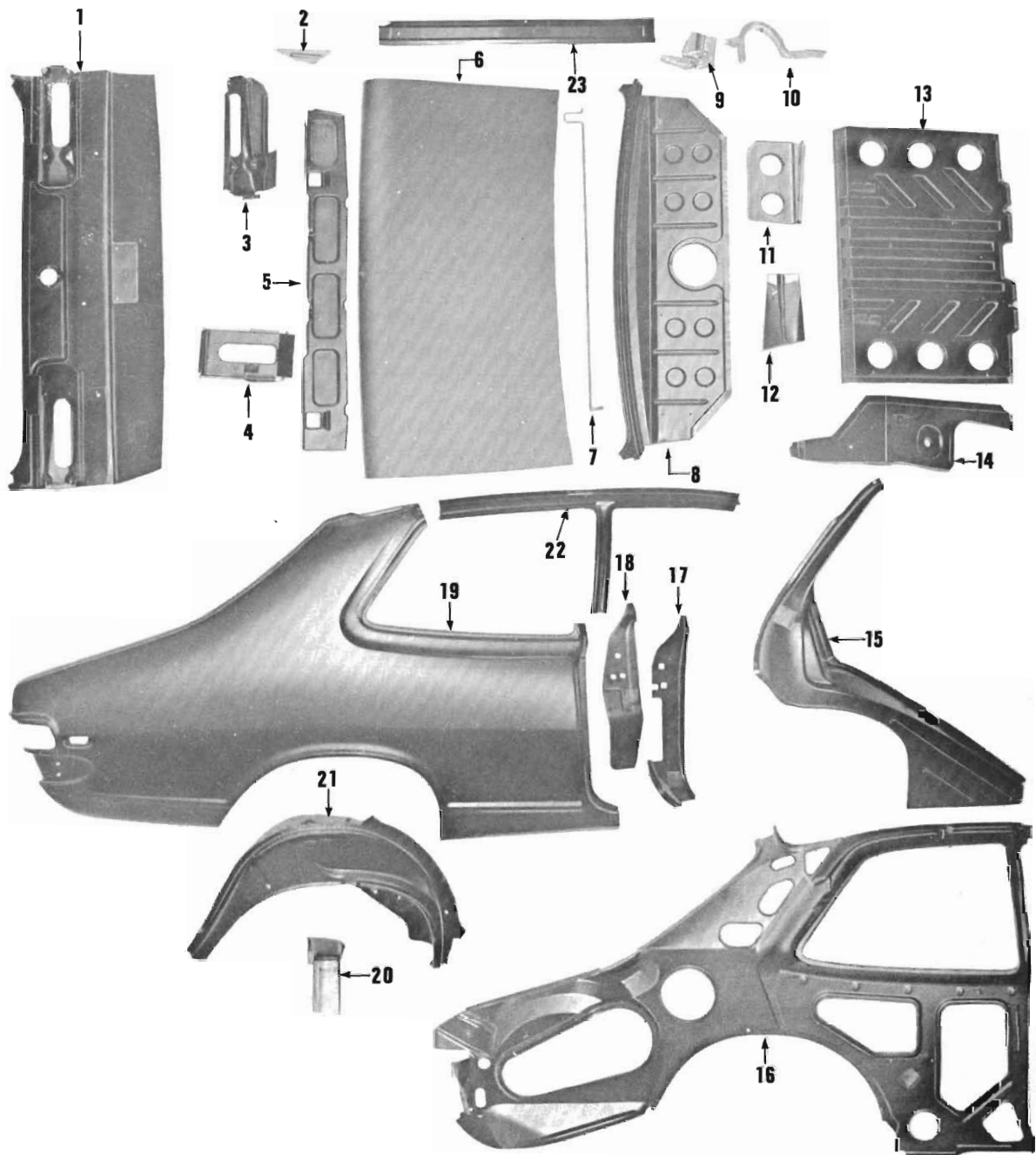
ILLUS. REF. NO.	PART NAME	GROUP
1.	RAIL ASSEMBLY – Windshield upper	12.807
2.	PANEL – Dash vent upper	12.805
3.	PILLAR ASSEMBLY – Front body outer panel	12.805
4.	PANEL – Windshield pillar closing	12.805
5.	REINFORCEMENT – Front body hinge pillar	12.805
6.	PANEL ASSEMBLY – Instrument	10.230
7.	PANEL – Dash upper	12.804
8.	BRACE ASSEMBLY – Instrument panel to dash	6.761
9.	COVER – Dash upper panel opening	12.803
10.	PANEL – Vent air duct	9.786
11.	PANEL ASSEMBLY – Shroud vent closing	9.786
12.	COVER – Front opening	12.803
13.	SCREEN – Panel closing	12.803
14.	PANEL ASSEMBLY – Shroud vent front	12.803
15.	PANEL ASSEMBLY – Dash	12.804
16.	PANEL ASSEMBLY – Shroud vent side	12.803
17.	PANEL ASSEMBLY – Hood hinge mounting	3.015
18.	DEFLECTOR ASSEMBLY – Water	12.803
19.	RAIL ASSEMBLY – Engine mounting side	12.980



BODY PANELS – ROOF & DOORS

ILLUS. REF. NO.	PART NAME	GROUP	ILLUS. REF. NO.	PART NAME	GROUP
1.	PANEL – Roof	12.810	9.	PANEL ASSY. – Inner sill	12.934
2.	GUTTER – Windshield pillar drip	12.811	10.	PANEL ASSY. – Centre pillar outer	12.491
3.	RAIL – Roof side inner front	12.956	11.	PANEL ASSY. – Centre pillar extension..	12.491
4.	GUTTER – Centre drip	12.811	12.	PANEL ASSY. – Centre pillar upper hge.	12.491
5.	GUTTER – Rear drip	12.811	13.	REINFORCEMENT – Centre pillar	12.491
6.	RAIL – Roof side inner rear	12.956	14.	PANEL ASSY. – Centre pillar inner	12.491
7.	PANEL ASSY. – Front door	12.895	15.	PANEL ASSY. – Rear door	12.913
3.	PANEL – Outer front sill	12.934	16.	PANEL ASSY. – Rear body lock pillar lwr.	12.942




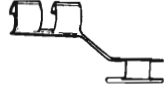



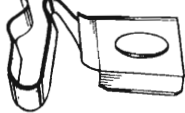
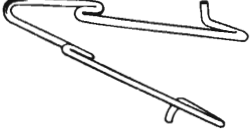



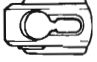


HOLDEN "LJ" PARTS CATALOGUE




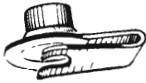












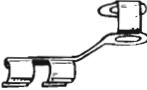





BODY PANELS - REAR END & REAR QUARTER

ILLUS. REF. NO.	PART NAME	GROUP	ILLUS. REF. NO.	PART NAME	GROUP
1.	PANEL ASSY. - Rear end outer	12.966	13.	PANEL ASSY. - Luggage comp. front	15.224
2.	REINFORCEMENT - Rear end outer panel	12.966	14.	BRACE ASSY. - Pkg. tray to wheelhouse	12.971
3.	SUPPORT - Tail lamp	12.940	15.	PILLAR - Rear body	12.942
4.	SUPPORT ASSY. - Deck lid lock striker.. ..	12.237	16.	PANEL ASSY. - Rear quarter inner	12.941
5.	CROSSMEMBER - Rear end	12.982	17.	PANEL ASSY. - Door lock striker	12.491
6.	LID ASSY. - Deck	12.181	18.	REINFORCEMENT - Striker panel	12.491
7.	ROD - Deck lid torque	12.187	19.	PANEL ASSY. - Rear quarter outer	12.940
8.	PANEL ASSY. - Rear compartment front	12.971	20.	MOUNTING ASSY. - Rear shock abs.	12.984
9.	BRACKET ASSY. - Deck lid hinge mtg.	12.184	21.	PANEL ASSY. - Rear wheelhouse	12.944
10.	HINGE ASSY. - Deck lid	12.184	22.	RAIL - Roof side outer	12.956
11.	BRACE - Rear shock absorber	12.984	23.	FRAME - Rear window	11.200
12.	BRACE - Wheelhouse to hinge bracket....	12.971			

NUT and CLIP CHART

 <p>7100321</p>	 <p>7175429</p>	 <p>7401768</p>	 <p>7403054</p>
 <p>7403387</p>	 <p>7413032</p>	 <p>7415653</p>	 <p>7423305</p>
 <p>7426148</p>	 <p>7426417</p>	 <p>7432906</p>	 <p>7433488</p>
 <p>7438659</p>	 <p>9415250</p>	 <p>9418693</p>	

NUT and CLIP CHART

 <p>SP1534</p>	 <p>SP1548</p>	 <p>SP1574</p>	 <p>SP1606</p>
 <p>SP1733</p>	 <p>SP1750</p>	 <p>SP1779</p>	 <p>SP1836</p>
 <p>SP1909</p>	 <p>SP1937 (N.L.S.)</p>	 <p>SP2019 (N.L.S.)</p>	 <p>SP2176</p>
 <p>272733</p>	 <p>599119</p>	 <p>2806911</p>	 <p>2806912</p>
 <p>2810747</p>	 <p>4110664</p>	 <p>4576655</p>	 <p>4637217 (N.L.S.)</p>

HOLDEN "LJ" PARTS CATALOGUE

GROUP	DESCRIPTION	SIDE	PART No.	QTY.	822		823		824/828		825		829		
					11	11	69	11	69	69	11	11			
12.030	ASH TRAY														
	ASH TRAY ASSY. - Front door		2825811	2	X	X	X	X	X	X	X	X	X	X	
	ASH TRAY ASSY. - Rear door		2825811	2			X		X	X	X				
	ASH TRAY ASSY. - Rear quarter		2825811	1-2	X	X		X						X	
	CLIP - Ash tray retaining		2820398	1-2	X	X	X	X	X	X	X	X	X	X	
	SEAL - Door ash tray		2820411	2-4	X	X	X	X	X	X	X	X	X		
12.075	MOULDING - Roof drip														
	MOULDING - Front (exc. vinyl roof)	L.H.	7192611	1		X	X	X	X	X	X	X	X	X	
		R.H.	7192610	1		X	X	X	X	X	X	X	X	X	
	MOULDING - Front (vinyl roof)	L.H.	7437107	1		X	X	X	X	X	X	X	X	X	
		R.H.	7437106	1		X	X	X	X	X	X	X	X	X	
	MOULDING - Rear (exc. vinyl roof)	L.H.	2806355	1		X		X						X	
		R.H.	2806356	1		X		X						X	
	MOULDING - Rear (vinyl roof)	L.H.	2806359	1		X		X						X	
		R.H.	2806360	1		X		X						X	
	MOULDING - Rear (exc. vinyl roof)	L.H.	2806353	1				X		X	X				
		R.H.	2806354	1				X		X	X				
	MOULDING - Rear (vinyl roof)	L.H.	2806357	1				X		X	X				
		R.H.	2806358	1				X		X	X				
	12.112	MOULDING - Front door													
MOULDING - Belt		L.H.	2807279	1									X		
		R.H.	2807278	1									X		
MOULDING - Belt		L.H.	2807277	1											X
		R.H.	2807276	1											X
CLIP - Moulding (stud type)			7438659	14									X	X	
CLIP - Moulding (screw type)			7433488	14									X	X	
MOULDING - Side		L.H.	7448339	1		X		X							
		R.H.	7448338	1		X		X							
MOULDING - Side		L.H.	7437801	1				X		X	X				
		R.H.	7437800	1				X		X	X				
PLATE - Anchor			7430603	2		X	X	X	X	X	X				
WASHER - Sealing			7414611	2		X	X	X	X	X	X				
CLIP - Moulding (stud type)			7448657	12-10		X	X	X	X	X	X				
CLIP - Moulding (screw type)			7448658	12-10		X	X	X	X	X	X				
SCREW - Clip			7426400	12-10		X	X	X	X	X	X				
PLATE ASSY. - Anchor			7430803	2		X	X	X	X	X	X				
NUT - Stamped No. 6-32			272733	2		X	X	X	X	X	X				
12.114		MOULDING - Rear door													
	MOULDING - Belt	L.H.	2807439	1									X		
		R.H.	2807438	1									X		
	PLATE - Moulding anchor		7435598	2									X		
	WASHER - Moulding		7438107	2									X		
	CLIP - Moulding (stud type)		7438659	2									X		
	CLIP - Moulding (screw type)		7433488	2									X		
	MOULDING - Side	L.H.	2818207	1				X		X	X				
		R.H.	2818208	1				X		X	X				
	RETAINER ASSY. - Side moulding		2818213	2				X		X	X				
	PLATE - Anchor		7430603	2				X		X	X				
	WASHER - Sealing		7414611	2				X		X	X				
	CLIP - Moulding (stud type)		7448657	8				X		X	X				
	CLIP - Moulding (screw type)		7448658	8				X		X	X				
	SCREW - Clip		7426400	8				X		X	X				
	NUT - Stamped No. 6-32		272733	2				X		X	X				

HOLDEN "LJ" PARTS CATALOGUE

GROUP	DESCRIPTION	SIDE	PART No.	QTY.	822	823		824/828		825	829
					11	11	69	11	69	69	11
12.116	MOULDING – Rear quarter										
	MOULDING – Belt	L.H.	2807349	1							X
		R.H.	2807350	1							X
	CLIP – Moulding (stud type)		7438659	10							X
	CLIP – Moulding (screw type)		7433488	10							X
	MOULDING – Quarter upper (two tone paint & vinyl roof)	L.H.	2825245	1		X		X			
		R.H.	2825246	1		X		X			
	MOULDING – Quarter upper (two tone paint & vinyl roof)	L.H.	2805289	1							X
		R.H.	2805290	1							X
	MOULDING – Quarter upper (two tone paint & vinyl roof)	L.H.	2805291	1				x	x	x	
		R.H.	2805292	1				X	X	X	
	CLIP – Moulding (stud type) (two tone paint)		7438659	6		X	X	X	X	X	
	CLIP – Moulding (stud type) (vinyl roof)		2810747	6-8		X	X	X	X	X	X
	CLIP – Moulding (screw type) (two tone paint & vinyl roof)		7433488	6		x	x	x	x	x	x
	RETAINER ASSY. – Moulding (two tone paint & vinyl roof)		2807280	2		x	x	x	x	x	x
	BOLT – Retainer (two tone paint & vinyl roof)		7430802	2		X	X	X	X	X	X
	WASHER – Sealing (two tone paint & vinyl roof)		7414611	2		x	x	x	x	x	x
	NUT – Stamped No. 6 – 32 (two tone paint & vinyl roof)		272733	2		x	x	x	x	x	x
	MOULDING – Body side	L.H.	2818211	1		X		X			
		R.H.	2818212	1		X		X			
	MOULDING – Quarter side	L.H.	2818209	1				X	X	X	
		R.H.	2818210	1				X	X	X	
	CLIP – Moulding (stud type)		7448657	16-8		X	X	X	X	X	
CLIP – Moulding (screw type)		7448658	16-8		X	X	X	X	X		
SCREW – Clip		7426400	16-8		X	X	X	X	X		
WASHER – Sealing		7414611	2		X	X	X	X	X		
PLATE ASSY. – Anchor		7430803	2		X	X	X	X	X		
NUT – Stamped No. 6-32		272733	2		X	X	X	X	X		
12.181	LID – Deck										
	LID ASSEMBLY		2806446	1	X	X	X	X	X	X	X
12.182	NAME PLATE – Deck lid										
	PLATE – "Deluxe" name		7197018	1				X	X		
	PLATE – "Torana" name		2818707	1	X	X	X	X	X	X	
	PLATE – Engine size name (1300)		2825103	1	X			X	X		
	PLATE – Engine size name (2250)		2811118	1		X	X			X	
	PLATE – Engine size name (2850)		2816569	1		X	X			X	
	PLATE – "GTR" name 3300 Eng.		2810503	1							X
	TRANSFER – "GTRXUI"		2816455	1							X
	PLATE – "Trimatic" name		2817175	1	X	X	X	X	X	X	
	NUT & SEAL ASSY. – Name plate		SP2176	2	X	X	X	X	X	X	X
	CLIP – Name plate (tubular)		SP1606	A.R.	X	X	X	X	X	X	X
12.184	HINGE, BRACKET – Deck lid										
	HINGE ASSEMBLY		7449753	2	X	X	X	X	X	X	X
	BRACKET ASSY. – Hinge mounting	L.H.	2806107	1	X	X	X	X	X	X	X
	R.H.	2806106	1	X	X	X	X	X	X	X	
12.186	PIN – Deck lid hinge										
	PIN		7408627	2	X	X	X	X	X	X	X
12.187	ROD – Deck lid torque										
	ROD	L.H.	2806117	1	X	X	X	X	X	X	X
		R.H.	2806116	1	X	X	X	X	X	X	
12.212	BUMPER – Deck lid										
	BUMPER		2811834	2	X	X	X	X	X	X	X

HOLDEN "LJ" PARTS CATALOGUE

GROUP	DESCRIPTION	SIDE	PART No.	QTY.	822		823		824/828		825		829	
					11	11	69	11	69	69	11			
12.237	STRIKER, SUPPORT – Deck lid lock													
	STRIKER		2805979	1	X	X	X	X	X	X	X	X	X	X
	SUPPORT ASSEMBLY – Striker		2805710	1	X	X	X	X	X	X	X	X	X	X
12.242	LOCK – Deck lid													
	LOCK ASSEMBLY		7421890	1	X	X	X	X	X	X	X	X	X	X
	GASKET – Lock cylinder retainer		7432672	1	X	X	X	X	X	X	X	X	X	X
	BOLT – Lock to deck lid		SP2064	3	X	X	X	X	X	X	X	X	X	X
12.248	BARREL & KEY – Deck lid													
	BARREL & KEY ASSEMBLY – (Coded)		2819173	1	X	X	X	X	X	X	X	X	X	X
	SERVICE PACKAGE – Uncoded		M37125	1	X	X	X	X	X	X	X	X	X	X
	GASKET – Lock cylinder		4780518	1	X	X	X	X	X	X	X	X	X	X
	RETAINER – Lock cylinder		2805286	1	X	X	X	X	X	X	X	X	X	X
	SCREW – Retainer to inner panel		7426400	2	X	X	X	X	X	X	X	X	X	X
12.269	WEATHERSTRIP – Deck lid													
	WEATHERSTRIP		2807045	1	X	X	X	X	X	X	X	X	X	X
12.491	PANEL – Door lock striker													
	PANEL – Door lock striker	L.H.	2805223	1	X	X		X					X	
		R.H.	2805224	1	X	X		X					X	
	REINFORCEMENT ASSY. – Striker panel	L.H.	7192567	1	X	X		X					X	
		R.H.	7192566	1	X	X		X				X		
12.491	PANEL – Centre pillar													
	PANEL ASSY. – Centre pillar	L.H.	2819439	1			X		X	X				
		R.H.	2819440	1			X		X	X				
	PANEL ASSY. – Centre pillar inner	L.H.	7438673	1			X		X	X				
		R.H.	7438674	1			X		X	X				
	PANEL ASSY. – Centre pillar outer	L.H.	7438965	1			X		X	X				
		R.H.	7438966	1			X		X	X				
	PLATE ASSY. – Centre pillar extension	L.H.	2805301	1			X		X	X				
		R.H.	2805300	1			X		X	X				
	PANEL ASSY. – Centre pillar upper hinge	L.H.	7438615	1			X		X	X				
		R.H.	7438614	1			X		X	X				
	REINFORCEMENT – Centre pillar	L.H.	2809347	1			X		X	X				
	R.H.	2809346	1			X		X	X					
12.803	PANEL – Shroud ventilator													
	PANEL ASSY. – Front		2806464	1	X	X	X	X	X	X	X	X	X	X
		RIGHT HAND DRIVE		2810862	1		X	X			X			
		LEFT HAND DRIVE												
	PANEL ASSEMBLY – Side	L.H.	7192891	1	X	X	X	X	X	X	X	X	X	X
		R.H.	7192890	1	X	X	X	X	X	X	X	X	X	X
	PANEL ASSY. – Closing		(⁵ 2806525	1	X	X	X	X	X	X	X	X	X	X
	PANEL ASSY. – Closing		(⁴ 2806807	1	X	X	X	X	X	X	X	X	X	X
	COVER – Dash upper panel opening ...		(⁵ 2806530	1	X	X	X	X	X	X	X	X	X	X
	COVER – Front opening		(⁵ 2806529	1	X	X	X	X	X	X	X	X	X	X
	SCREEN – Panel closing		(⁵ 2806816	1	X	X	X	X	X	X	X	X	X	X
	DEFLECTOR ASSEMBLY – Water	L.H.	7219567	1	X			X	X					
		R.H.	7219566	1	X			X	X					
	DEFLECTOR ASSEMBLY – Water	L.H.	2811673	1		X	X				X	X	X	X
		R.H.	2811672	1		X	X				X	X	X	X
GROMMET – Choke control to dash panel		1039278	1	X	X	X	X	X	X	X	X	X	X	

Note: (⁴ Use when Heater with Fan Fitted.

(⁵ Use when Heater not Fitted.

HOLDEN "LJ" PARTS CATALOGUE

GROUP	DESCRIPTION	SIDE	PART No.	QTY.	822		823		824/828		825	829
					11	11	69	11	69	69	11	
12.803	PANEL – Shroud ventilator (contd.)											
	BUMPER – Heater cable holeLEFT HAND DRIVE		(⁵ 7412432	1		X	X					
	PLUG – Dash panel sealing (1600 Eng.)		4124441	1				X	X			
	PLUG – Choke control hole (A) 1600 Eng.		SP1495	1				X	X			
	PLUG – Dash panel clutch cable hole (A)		SP1495	1	X			X	X			
COVER – Clutch push rod holeLEFT HAND DRIVE (A)			2818999	1		X	X				X	
12.804	PANEL – Dash											
	PANEL ASSEMBLY		2805803	1	X			X	X			
	PANEL ASSEMBLY – (Bucket Seat)RIGHT HAND DRIVE		2805877	1		x	x				x	x
	PANEL – Dash upperRIGHT HAND DRIVE		2825275	1	X	X	X	X	X	X	X	X
LEFT HAND DRIVE		2808973	1		X	X				X	
PANEL ASSY. – (Bench Seat)		2813039	1			X				X		
12.805	PANEL – Dash ventilator upper											
	PANEL – UpperRIGHT HAND DRIVE		2809610	1	X	X	X	X	X	X	X	X
12.805	PILLAR ASSEMBLY – Front body outer											
	PILLAR ASSEMBLY	L.H.	7201951	1	X	X		X				X
	R.H.	7201950	1	X	X		X				X
	PILLAR ASSEMBLY	L.H.	7438961	1			X		X	X		
	R.H.	7438962	1			X		X	X		
	REINFORCEMENT ASSY. – Front body hinge pillar	L.H.	7191417	1	X	X	X	X	X	X	X	X
	R.H.	7191416	1	X	X	X	X	X	X	X	X
	PANEL – Windshield pillar closing	L.H.	7191051	1	X	X	X	X	X	X	X	X
.....	R.H.	7191050	1	X	X	X	X	X	X	X	X	
12.807	RAIL – Windshield upper											
	RAIL ASSEMBLY		7438999	1	X	X	X	X	X	X	X	X
12.810	PANEL – Roof											
	PANEL		7448956	1	X	X	X	X	X	X	X	X
12.810	COVER – Roof panel											
	COVER ASSY. – Black vinyl		2810217CY	1		X	X	X	X	X	X	X
	COVER ASSY. – Antique saddle vinyl (Early production)		2822723	1		X	X	X	X	X	X	X
	COVER ASSY. – Chestnut vinyl (Early production)		2810217DG	1		X	X	X	X	X	X	X
	COVER ASSY. – Antique brown vinyl (Early production)		2822722	1		X	X	X	X	X	X	X
	COVER ASSY. – Ash vinyl (Late production)		2810217DC	1		X	X	X	X	X	X	X
	COVER ASSY. – Flax vinyl (Early production)		2825086	1		X	X	X	X	X	X	X
	COVER ASSY. – Doeskin vinyl (Late production)		2810217DF	1		X	X	X	X	X	X	X
	COVER ASSY. – Juniper vinyl (Late production)		2810217DE	1		X	X	X	X	X	X	X
	Note: (⁵ Use when Heater not Fitted.											

HOLDEN "LJ" PARTS CATALOGUE

GROUP	DESCRIPTION	SIDE	PART No.	QTY.	822		823		824/828		825		829	
					11	11	69	11	69	69	11			
12.811	GUTTER – Roof drip													
	GUTTER - Windshield pillar	L.H.	7192657	1	X	X	X	X	X	X	X	X	X	X
		R.H.	7192656	1	X	X	X	X	X	X	X	X	X	X
	GUTTER - Centre	L.H.	2805911	1	X	X	X	X	X	X	X	X	X	X
		R.H.	2805910	1	X	X	X	X	X	X	X	X	X	X
	GUTTER - Rear	L.H.	2805909	1	X	X		X						X
		R.H.	2805908	1	X	X		X						X
	GUTTER - Rear	L.H.	2805907	1			X		X	X				
	R.H.	2805906	1			X		X	X					
12.895	PANEL – Front door													
	PANEL ASSEMBLY	L.H.	2806601	1	X	X		X					X	
		R.H.	2806602	1	X	X		X					X	
	PANEL ASSEMBLY	L.H.	9929909	1			X		X	X				
		R.H.	9929908	1			X		X	X				
	PANEL - Outer	L.H.	2806947	1	X	X		X					X	
		R.H.	2806946	1	X	X		X					X	
	PANEL - Outer	L.H.	2806925	1			X		X	X				
	R.H.	2806926	1			X		X	X					
12.913	PANEL – Rear door													
	PANEL ASSEMBLY	L.H.	2806239	1			X		X	X				
		R.H.	2806240	1			X		X	X				
	PANEL - Outer	L.H.	7449457	1			X		X	X				
	R.H.	7449458	1			X		X	X					
12.934	PANEL – Sill													
	PANEL ASSEMBLY - Inner	L.H.	2805733	1	X	X		X					X	
		R.H.	2805734	1	X	X		X					X	
	PANEL ASSEMBLY - Inner	L.H.	2805739	1			X		X	X				
		R.H.	2805736	1			X		X	X				
	PANEL - Outer front	L.H.	7438963	1			X		X	X				
		R.H.	7438964	1			X		X	X				
	PANEL - Outer	L.H.	2808231	1	X	X		X					X	
		R.H.	2808232	1	X	X		X					X	
	PLATE - Panel sealing	L.H.	7192679	1	X	X		X					X	
	R.H.	7192678	1	X	X		X					X		
12.940	PANEL – Quarter outer													
	PANEL ASSEMBLY	L.H.	2819571	1	X	X		X					X	
		R.H.	2819570	1	X	X		X					X	
	PANEL ASSEMBLY	L.H.	2818581	1			X		X	X				
		R.H.	2818580	1			X		X	X				
	SUPPORT - Tail lamp	L.H.	2805789	1	X	X	X	X	X	X	X	X	X	X
	R.H.	2805788	1	X	X	X	X	X	X	X	X	X	X	
12.941	PANEL – Quarter inner													
	PANEL ASSEMBLY	L.H.	2806277	1	X	X		X					X	
		R.H.	2806276	1	X	X		X					X	
	PANEL ASSEMBLY	L.H.	2806627	1			X		X	X				
	R.H.	2806626	1			X		X	X					
12.942	PILLAR – Rear body													
	PILLAR	L.H.	2806751	1	X	X		X					X	
	R.H.	2805204	1	X	X		X					X		
12.942	PANEL – Rear body lock pillar lower													
	PANEL ASSEMBLY	L.H.	2814541	1			X		X	X				
	R.H.	2814542	1			X		X	X					

HOLDEN "LJ" PARTS CATALOGUE

GROUP	DESCRIPTION	SIDE	PART No.	QTY.	822	823		824/828		825	829
					11	11	69	11	69	69	11
12.944	PANEL – Rear wheelhouse										
	PANEL ASSEMBLY	L.H.	7449823	1	X	X		X			X
		R.H.	7449822	1	X	X		X			X
	PANEL ASSEMBLY	L.H.	2806849	1			X		X	X	
		R.H.	2806848	1			X		X	X	
	PLUG - Inner panel sealing		7139959	2	X	X	X	X	X	X	X
12.948	PLUG – Body side panel										
	PLUG		7388255	2	X	X	X	X	X	X	X
12.952	BOW – Roof										
	BOW		7189037	1	X	X	X	X	X	X	X
12.955	WIRE – Headlining listing										
	WIRE - No. 1		2809368	1	X	X	X	X	X	X	X
	WIRE - No. 2		2809369	1	X	X		X			X
	WIRE - Nos. 2 & 3		2809369	2			X		X	X	
	WIRE - No. 3		2811860	1	X	X		X			X
	WIRE - No. 4		2809371	1	X	X	X	X	X	X	X
	CLIP - No. 1 & 2 wire retaining		SP2417	4	X	X	X	X	X	X	X
12.956	RAIL – Roof side										
	RAIL - Inner	L.H.	7189309	1	X	X		X			X
		R.H.	7189308	1	X	X		X			X
	RAIL - Inner front	L.H.	7189309	1			X		X	X	
		R.H.	7189308	1			X		X	X	
	RAIL - Inner rear	L.H.	2805541	1			X		X	X	
		R.H.	2805542	1			X		X	X	
	RAIL - Outer	L.H.	2808235	1	X	X		X			X
		R.H.	2808236	1	X	X		X			X
	RAIL - Outer front	L.H.	7438967	1			X		X	X	
		R.H.	7438968	1			X		X	X	
	RAIL - Outer rear	L.H.	2808893	1			X		X	X	
		R.H.	2808894	1			X		X	X	
12.966	PANEL – Rear end outer										
	PANEL ASSEMBLY		2808670	1	X	X	X	X	X	X	X
	REINFORCEMENT - Panel		2805714	2	X	X	X	X	X	X	X
12.967	SPOILER – Rear compartment lid air										
	SPOILER ASSEMBLY - XU1 Eng.		2816152	1							X
	SCREW - Spoiler Assy. to rear compartment lid XU1 Eng.		SP2155	4							X
	CAP - Spoiler Assy. to rear compartment lid screw XU1 Eng.		7448475	2							X
12.971	PANEL, BRACE – Rear compartment front										
	PANEL ASSEMBLY		2806644	1	X	X	X	X	X	X	X
	BRACE ASSY. - Package tray to wheelhouse	L.H.	2805913	1	X	X	X	X	X	X	X
		R.H.	2805912	1	X	X	X	X	X	X	X
	BRACE - Wheelhouse to hinge bracket	L.H.	2805941	1	X	X	X	X	X	X	X
	R.H.	2805942	1	X	X	X	X	X	X	X	
12.972	PAN – Floor										
	PAN - Console shift (Bucket seat) exc. 1600 Eng. RIGHT HAND DRIVE		9929578	1	X	X	X	X	X	X	X
	PAN - Steering column shift (Bucket seat) RIGHT HAND DRIVE		9929580	1		X	X			X	
	PAN - Bench seat		2810048	1			X			X	

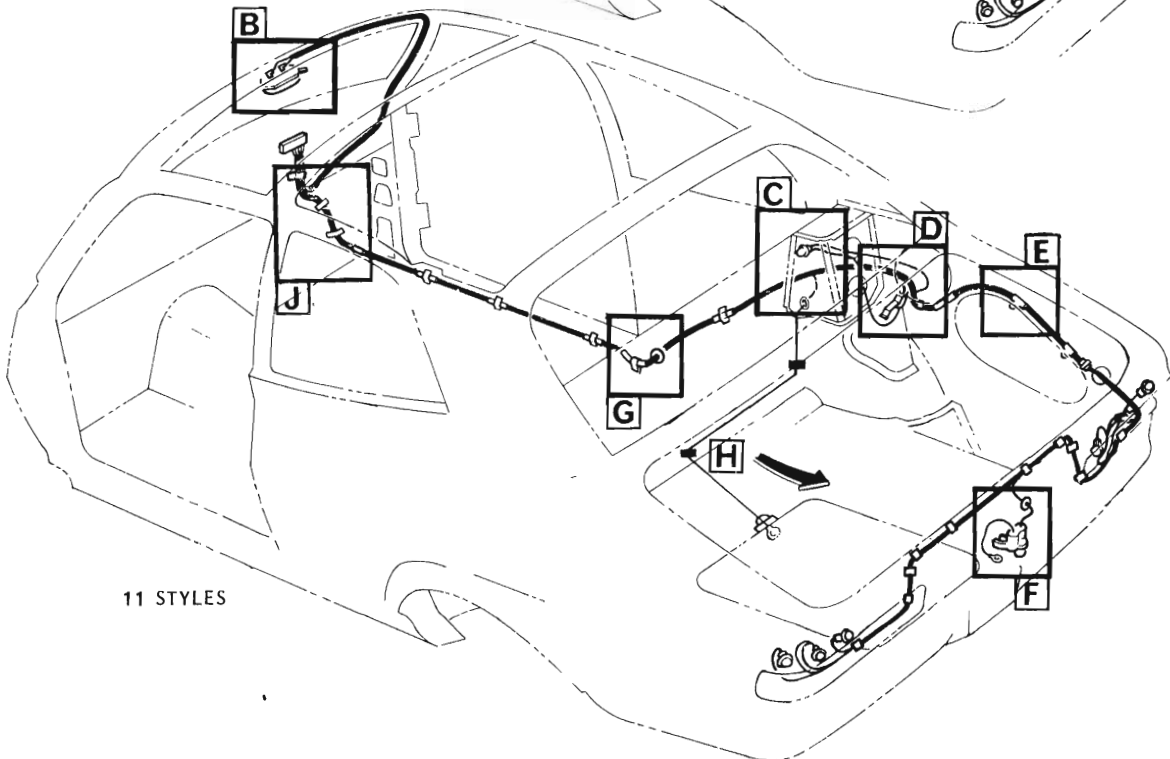
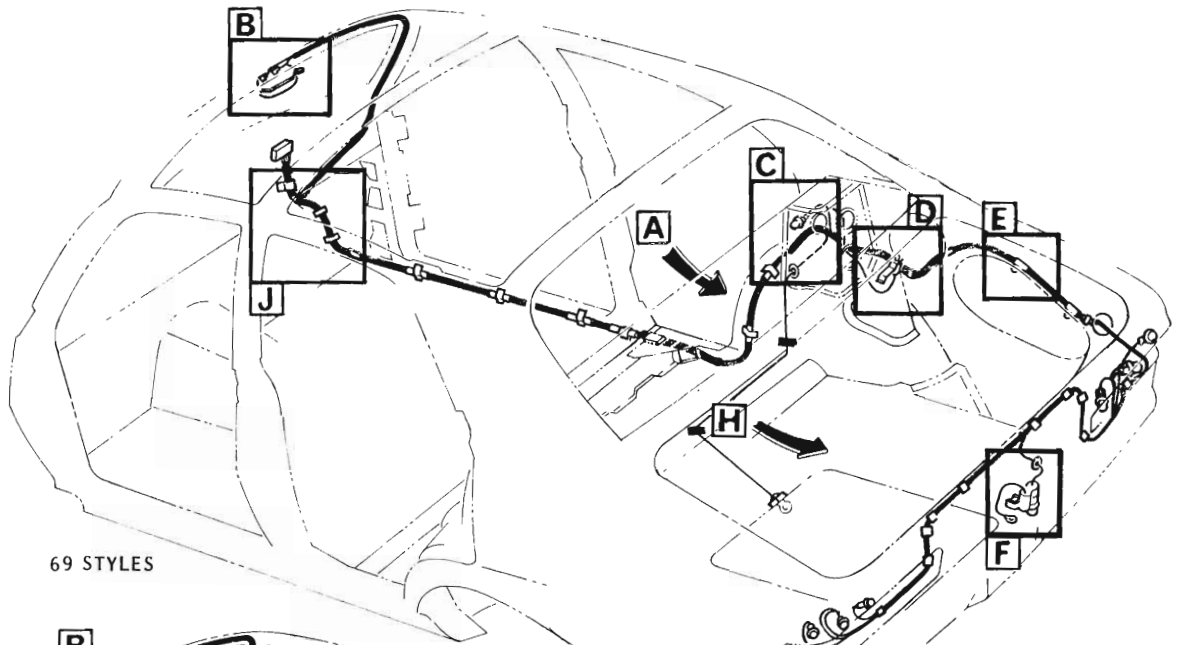
HOLDEN "LJ" PARTS CATALOGUE

GROUP	DESCRIPTION	SIDE	PART No.	QTY.	822		823		824/828		825		829	
					11	11	69	11	69	69	11	11		
12.972	PAN – Floor (contd.)													
	PAN – (M) 3 speed transmissionLEFT HAND DRIVE		9929580	1		X	X					X		
	PAN – (M) 4 speed transmissionLEFT HAND DRIVE		9929578	1		X	X					X		
	PAN – (A)LEFT HAND DRIVE		9929578	1		X	X					X		
	PAN – (M) 1600 Eng.		9929580	1					X	X				
	PAN – (A) 1600 Eng.		9929578	1					X	X				
12.980	RAIL – Engine mounting side													
	RAIL ASSY. – Engine mounting side exc. 1600 Eng.	L.H.	9929767	1	X				X	X				
		R.H.	9929766	1	X				X	X				
	RAIL ASSY. – Engine mounting side 1600 Eng.	L.H.	9929769	1					X	X				
		R.H.	9929768	1					X	X				
	RAIL ASSY. – Engine mounting sideRIGHT HAND DRIVE	L.H.	2805743	1		X	X					X	X	
		R.H.	2805744	1		X	X					X	X	
	LEFT HAND DRIVE	L.H.	2810993	1		X	X					X	X	
		R.H.	2805744	1		X	X					X	X	
	REINFORCEMENT – Engine mounting side to underbody	L.H.	9929551	1		X	X	X	X	X	X	X	X	
		R.H.	9929550	1		X	X	X	X	X	X	X	X	
12.980	PLUG – Floor													
	PLUG – Rear seat belt sealing		7419554	A.R.	X	X	X	X	X	X	X	X	X	
	PLUG – Underbody sealing		4124441	3	X	X	X	X	X	X	X	X	X	
	PLATE – Underbody cover		2816112	6	X	X	X	X	X	X	X	X	X	
	PLUG – Park brake front cable hole		2806976	1	X			X	X					
	PLUG – Back-up lamp switch hole (A)		SP1748	1	X			X	X					
12.982	SUPPORT, HANGER, CROSSMEMBER – Underbody													
	SUPPORT – (M) rear mounting		2805980	1	X			X	X					
	SUPPORT – (A) Engine rear mounting		(⁹ 2822024	1	X			X	X					
	SUPPORT – (A) Engine rear mounting		(¹⁰ 9928584	1	X			X	X					
	INSULATOR – (A) Engine rear mounting support													
	RIGHT HAND DRIVE		(⁹ 2812819	2	X	X	X	X	X	X	X	X	X	
	INSULATOR – (A) Engine rear mounting support													
	LEFT HAND DRIVE		2812819	2		X	X					X		
	BRACKET – (A) Engine rear mounting support													
	RIGHT HAND DRIVE		(⁹ 2812818	2	X	X	X	X	X	X	X	X	X	
	BRACKET – (A) Engine rear mounting support													
	LEFT HAND DRIVE		2812818	2		X	X					X		
	INSULATOR – (A) Engine rear mounting support upper													
	RIGHT HAND DRIVE		(¹⁰ 9928573	4	X	X	X	X	X	X	X	X	X	
	INSULATOR – (A) Engine rear mounting support lower													
	RIGHT HAND DRIVE		(¹⁰ 9928574	4	X	X	X	X	X	X	X	X	X	
	RETAINER – (A) Engine rear mounting support													
	InsulatorRIGHT HAND DRIVE		(¹⁰ 7449704	4	X	X	X	X	X	X	X	X	X	
	SUPPORT – Engine rear mounting													
	RIGHT HAND DRIVE		(⁹ 2813566	1		X	X					X	X	
	SUPPORT – Engine rear mounting													
	LEFT HAND DRIVE		2813580			X	X					X		
	SUPPORT – (M) Engine rear mounting													
	RIGHT HAND DRIVE		(¹⁰ 2829934	1		X	X					X	X	
	SUPPORT – (A) Engine rear mounting													
	RIGHT HAND DRIVE		(¹⁰ 2829933	1		X	X					X	X	
	SPACER – (M) Engine rear mounting support (side)		2813651	2		X	X					X	X	
	SPACER – (A) Engine rear mounting support													
	RIGHT HAND DRIVE		(¹⁰ 2829970	4	X	X	X	X	X	X	X	X	X	
	HANGER – Rear suspension arm lower		7191297	2	X			X	X					
	HANGER – Rear suspension arm lower	L.H.	2805507	1		X	X					X	X	
		R.H.	2805508	1		X	X					X	X	
	BRACKET ASSY. – Rear spring mounting	L.H.	7191151	1	X	X	X	X	X	X	X	X	X	
		R.H.	7191150	1	X	X	X	X	X	X	X	X	X	

Note: (⁹ Prior to ADR 10B.
(¹⁰ Use with ADR 10B.

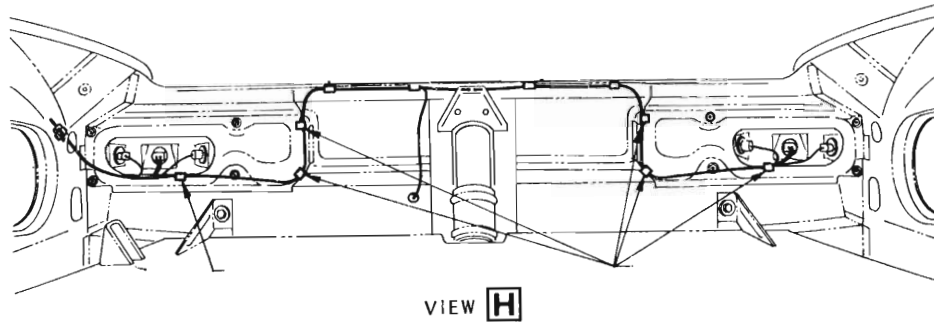
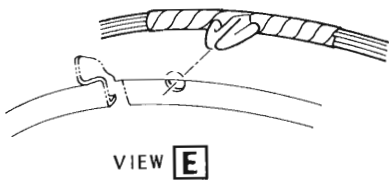
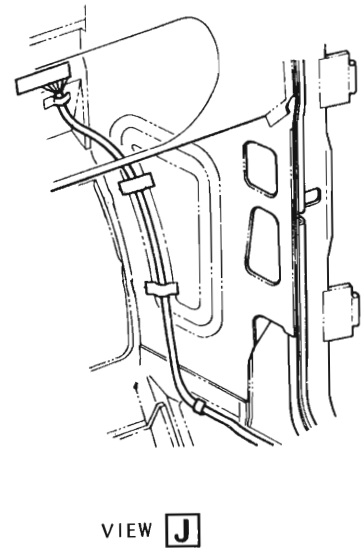
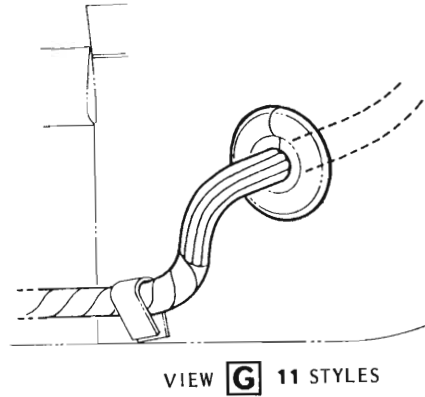
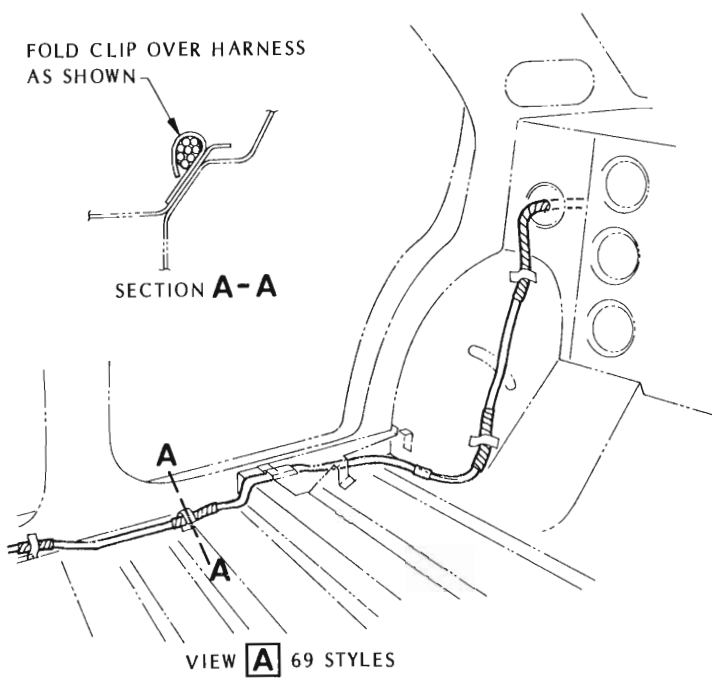
HOLDEN "LJ" PARTS CATALOGUE

GROUP	DESCRIPTION	SIDE	PART No.	QTY.	822		823		824/828		825		829		
					11	11	69	11	69	69	11				
12.982	SUPPORT, HANGER, CROSSMEMBER – Underbody (contd.)														
	SEAT ASSY. – Bump stop		7186074	2	X				X	X					
	CROSSMEMBER – Rear seat		7189400	1	X	X			X				X		
	CROSSMEMBER – Rear seat		7437482	1			X		X	X					
	CROSSMEMBER – Rear end		2806009	1	X	X	X	X	X	X	X	X	X		
	EXTENSION – Rear end crossmember		2806246	1	X	X	X	X	X	X	X	X	X		
	SPACER – (M) Engine rear mounting (Centre) 4 speed transmission LEFT HAND DRIVE		2813650	1		X	X						X		
	PANEL ASSY. – Rear end crossmember extension		2805302	1	X	X	X	X	X	X	X	X	X	X	
	MEMBER ASSY. – Longitudinal front		2805340	2	X	X	X	X	X	X	X	X	X	X	
	MEMBER – Longitudinal rear	L.H.	2805574	1	X	X	X	X	X	X	X	X	X	X	
		R.H.	7448628	1	X	X	X	X	X	X	X	X	X	X	
	PANEL – Rear longitudinal closing	L.H.	7189147	1	X	X	X	X	X	X	X	X	X	X	
		R.H.	7189146	1	X	X	X	X	X	X	X	X	X	X	
	PANEL – Spare wheel housing inner		7183201	1	X	X	X	X	X	X	X	X	X	X	
	SCREW – (A) Engine rear mounting support RIGHT HAND DRIVE		SP2458	4	X	X	X	X	X	X	X	X	X	X	
	12.984	MOUNTING, BRACE – Rear shock absorber													
		MOUNTING ASSEMBLY	L.H.	2806725	1	X	X	X	X	X	X	X	X	X	X
		R.H.	2806726	1	X	X	X	X	X	X	X	X	X	X	
BRACE		L.H.	2805791	1	X	X	X	X	X	X	X	X	X	X	
	R.H.	2805790	1	X	X	X	X	X	X	X	X	X	X		



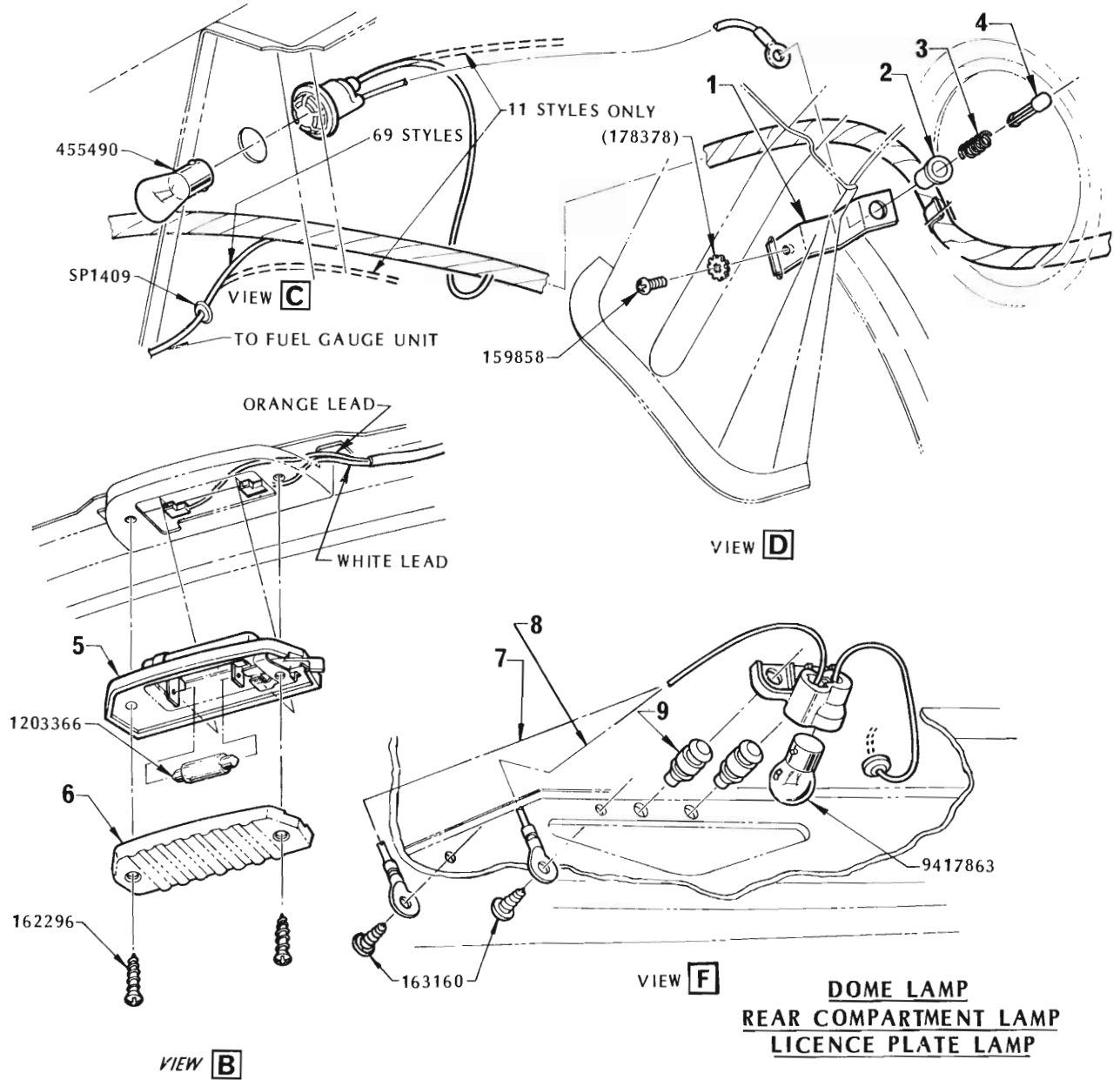
BODY WIRING

VIEW "A"	REFER PAGE	BODY WIRING	428
VIEW "B"	REFER PAGE	DOME LAMP	429
VIEW "C"	REFER PAGE	REAR COMPARTMENT LAMP	429
VIEW "D"	REFER PAGE	REAR COMP. LAMP MOUNTING	429
VIEW "E"	REFER PAGE	BODY WIRING CLIP	428
VIEW "F"	REFER PAGE	LICENCE PLATE LAMP	429
VIEW "G"	REFER PAGE	BODY WIRING	428
VIEW "H"	REFER PAGE	REAR COMP. WIRING	428
VIEW "J"	REFER PAGE	BODY WIRING	428



BODY WIRING

ILLUS. REF. NO.	PART NAME	GROUP
1.	CLIP - Body wiring to rear end	13.092
2.	CLIP - Body wiring to rear end	13.092

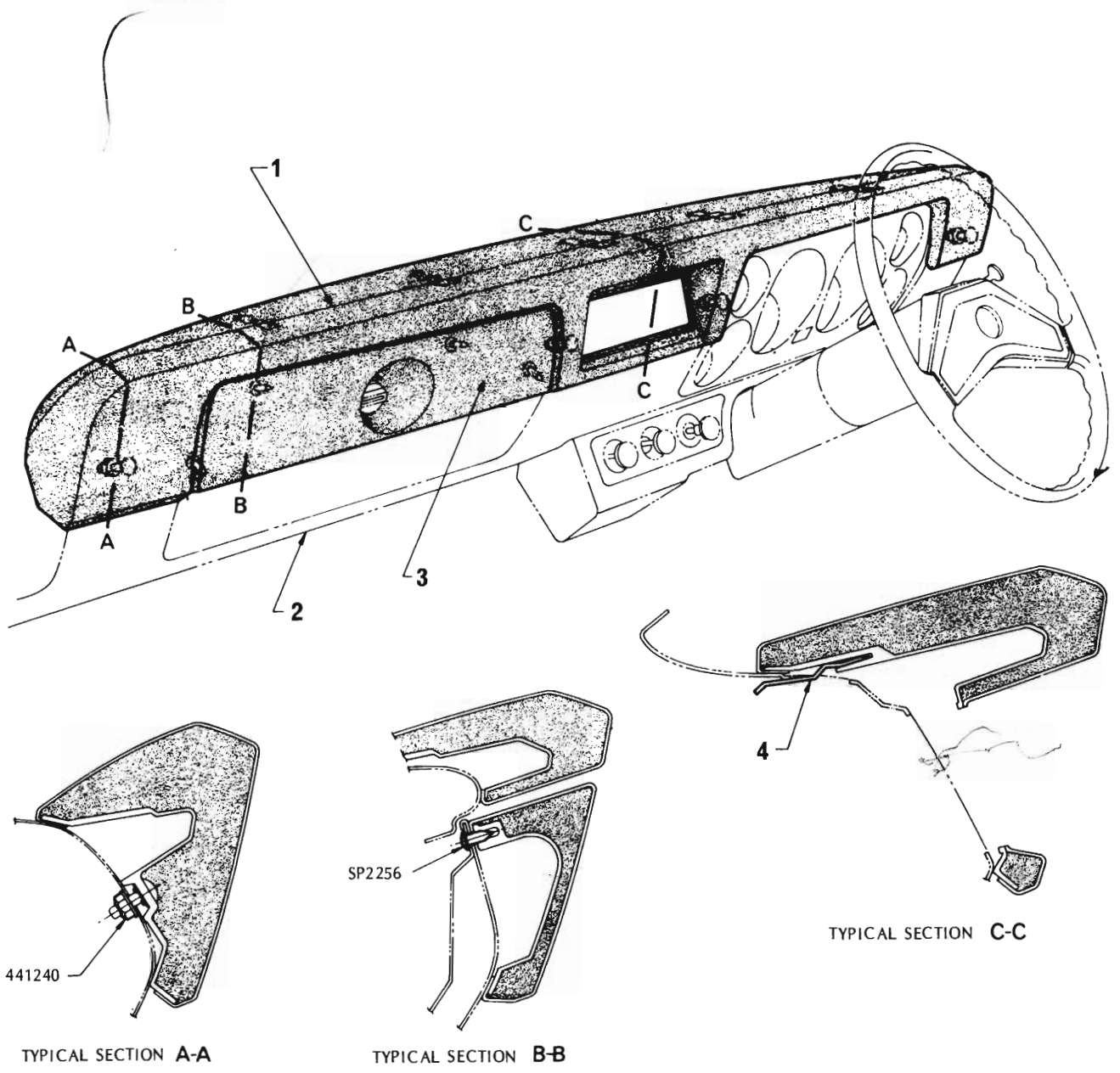


**DOME LAMP
REAR COMPARTMENT LAMP
LICENCE PLATE LAMP**

ILLUS. REF. NO.	PART NAME	GROUP
1.	BRACKET - Rear compartment switch	11.960
2.	BODY - Rear compartment switch	11.960
3.	SPRING - Rear compartment switch	11.960
4.	PLUNGER - Rear compartment switch	11.960
5.	BASE ASSEMBLY - Dome lamp	11.925
6.	LENS - Dome lamp	11.928
7-8.	HARNES ASSEMBLY - Licence plate lamp	2.714
9.	GROMMET - Rear licence plate lamp	2.705

HOLDEN "LJ" PARTS CATALOGUE

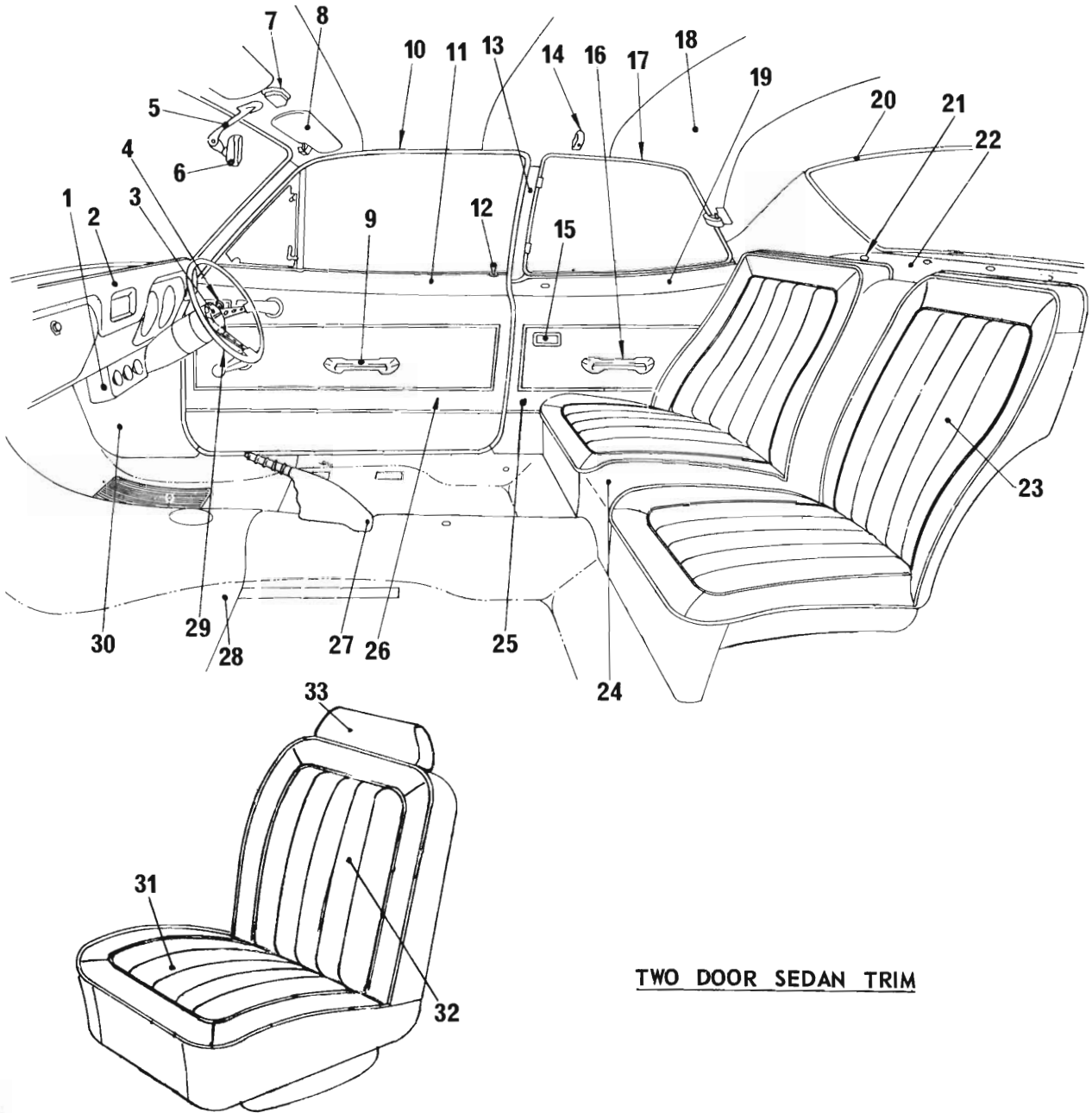
GROUP	DESCRIPTION	SIDE	PART No.	QTY.	822		823		824/828		825		829		
					11	11	69	11	69	69	11				
13.090	HARNESS – Body wiring														
		HARNESS ASSEMBLY		2820025	1	X	X		X						
		HARNESS ASSEMBLY		2820027	1			X		X					
		HARNESS ASSEMBLY		2820029	1							X			
		HARNESS ASSEMBLY		2820023	1									X	
		HARNESS ASSEMBLY – Rear		2820257	1	X			X	X					
		HARNESS ASSEMBLY – Rear		2820256	1		X	X				X	X		
		HARNESS ASSEMBLY – Rear (optional Export only)		2820255	1		x	x				x	x		
		HARNESS ASSEMBLY – Rear (optional Export only)		2820254	1	x			x	x					
		LEAD ASSY. – Rear turn signal lamp (optional export only)		2824555	1				X	X					
		BODY – 4 way male connector		2973603	1	X	X	X	X	X	X	X	X	X	X
		BODY – 4 way terminal connector		2962969	1	X	X	X	X	X	X	X	X	X	X
		BODY – Socket		2962066	1	X	X	X	X	X	X	X	X	X	X
		BODY – 11 way male terminal connector		2815954	1	X	X	X	X	X	X	X	X	X	X
		SOCKET ASSY. – Rear harness, single contact		7429955	2	X	X	X	X	X	X	X	X	X	X
		SOCKET ASSY. – Rear harness, double contact <i>PLASTIC</i>		7429820	2	X	X	X	X	X	X	X	X	X	X
		SPRING – Lamp socket		2962243	A.R.	X	X	X	X	X	X	X	X	X	X
	TERMINAL – Segment shaped		2973195	4	X	X	X	X	X	X	X	X	X	X	
13.092	CLIP, GROMMET – Body wiring														
		CLIP – Body wiring harness		7432906	2	X	X	X	X	X	X	X	X	X	X
		CLIP – To floor pan		7417298	1	X	X	X	X	X	X	X	X	X	X
		CLIP – To rear body pillar		7413032	1	X	X		X					X	
		CLIP – To rear end panel		7413032	4	X	X	X	X	X	X	X	X	X	X
		CLIP – To wheelhouse inner panel		7413032	2			X		X	X				
		CLIP – To sill inner panel		7413031	3	X	X	X	X	X	X	X	X	X	X
		CLIP – Tank unit lead to quarter side panel		7175429	1	X	X	X	X	X	X	X	X	X	X
		CLIP – To rear wheelhouse panel		7413032	1			X		X	X				
		GROMMET – Wiring through shock absorber bracket		SP1409	1	X	X	X	X	X	X	X	X	X	X
		CLIP – To rear end		7175429	A.R.	X	X	X	X	X	X	X	X	X	X
		CLIP – To rear end		7401651	A.R.	X	X	X	X	X	X	X	X	X	X



INSTRUMENT PANEL PAD

ILLUS. REF. NO.	PART NAME	GROUP
1.	PAD - Instrument panel	14.655
2.	PANEL - Instrument	10.230
3.	PAD - Instrument panel compartment door	14.655
4.	RETAINER - Pad to instrument panel	14.655

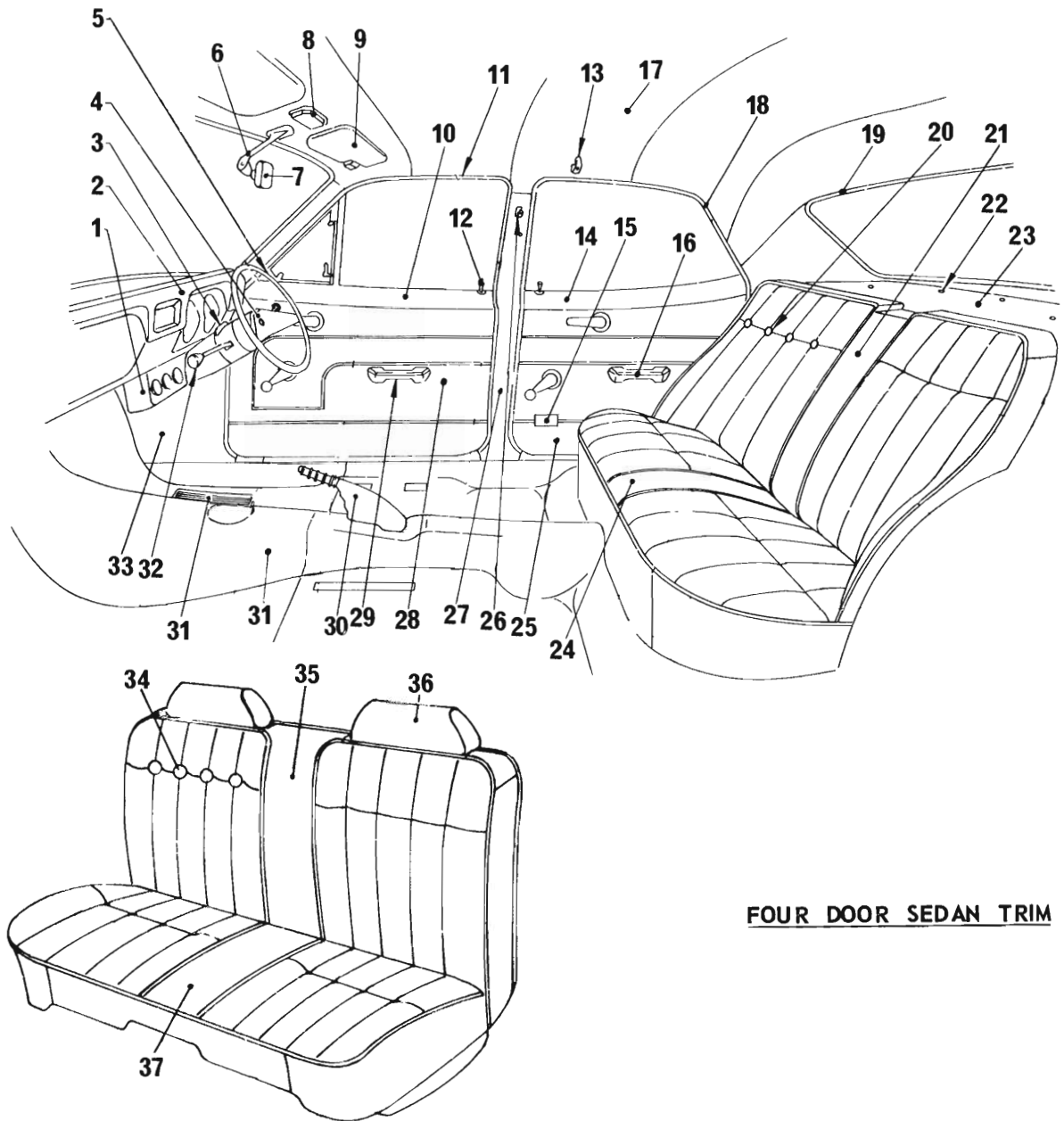
HOLDEN "LJ" PARTS CATALOGUE



TWO DOOR SEDAN TRIM

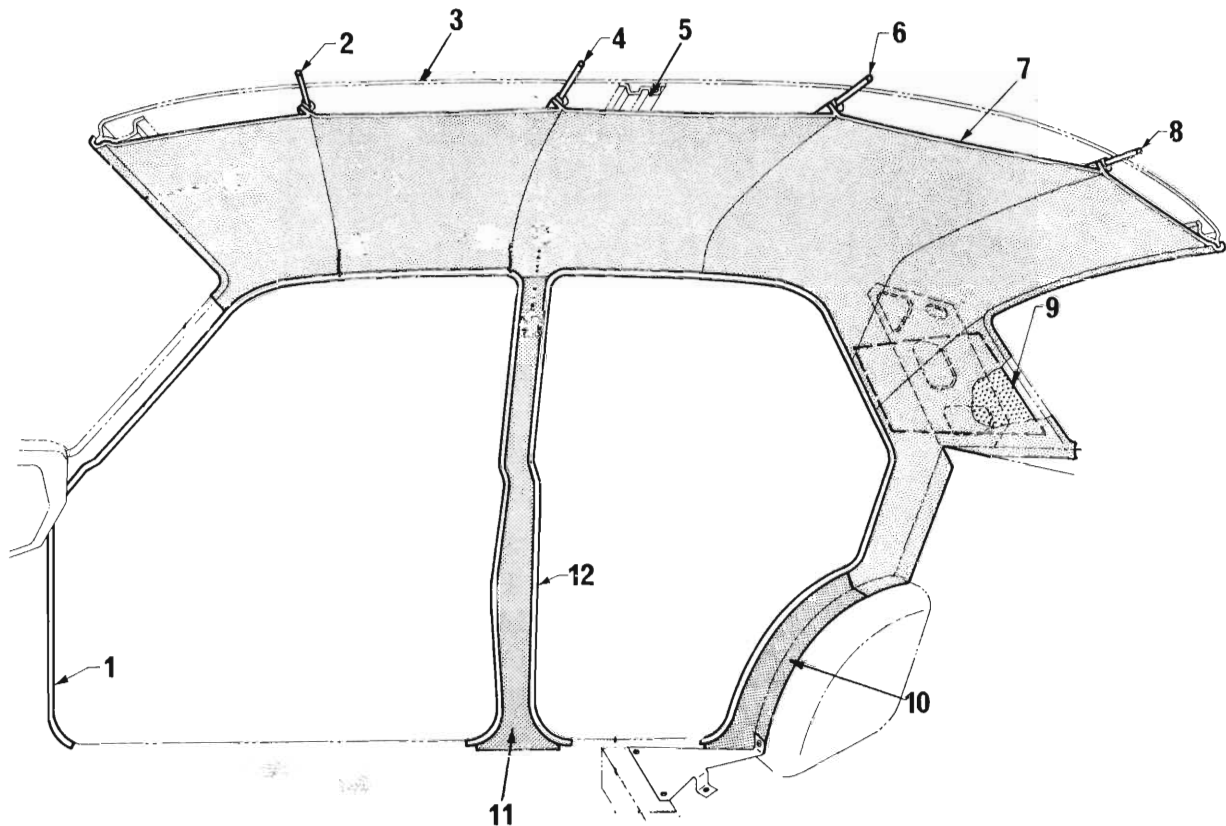
ILLUS. REF. NO.	PART NAME	GROUP	ILLUS. REF. NO.	PART NAME	GROUP
1.	PANEL - Instrument	9.743	18.	HEADLINING	14.640
2.	PAD - Instrument panel	14.655	19.	TRIM - Rear quarter garnish	11.119
3.	EMBLEM & BUTTON ASSY.	2.820	20.	CHANNEL - Rear glass	11.207
4.	KNOB - Turnsignal lamp switch	2.897	21.	FASTENER - Package tray trim	15.024
5.	SUPPORT - Rear vision mirror	10.187	22.	TRIM - Package tray	15.024
6.	MIRROR - Rear vision	10.185	23.	COVER - Rear seat back	15.100
7.	BASE - Dome lamp	11.925	24.	COVER - Rear seat cushion	15.035
8.	SUNVISOR	10.203	25.	TRIM - Rear quarter	15.100
9.	ARM REST - Front door	14.686	26.	TRIM - Front door	14.685
10.	WINDLACE - Front door opening	15.520	27.	GAITER - Hand brake lever	4.608
11.	TRIM - Front door garnish	14.691	28.	CARPET or MAT - Front floor	15.286
12.	KNOB - Door inside locking	10.559	29.	WHEEL - Steering	6.513
13.	TRIM - Rear quarter upper	15.100	30.	PANEL - Cowl side trim	14.630
14.	HOOK - Coat	14.651	31.	COVER - Front seat cushion	14.880
15.	ASH TRAY - Rear quarter	12.030	32.	COVER - Front seat back	14.800
16.	ARM REST - Rear quarter	14.762	33.	HEAD RESTRAINT	14.796
17.	WEATHERSTRIP - Rear quarter window frame	11.015			

HOLDEN "LJ" PARTS CATALOGUE



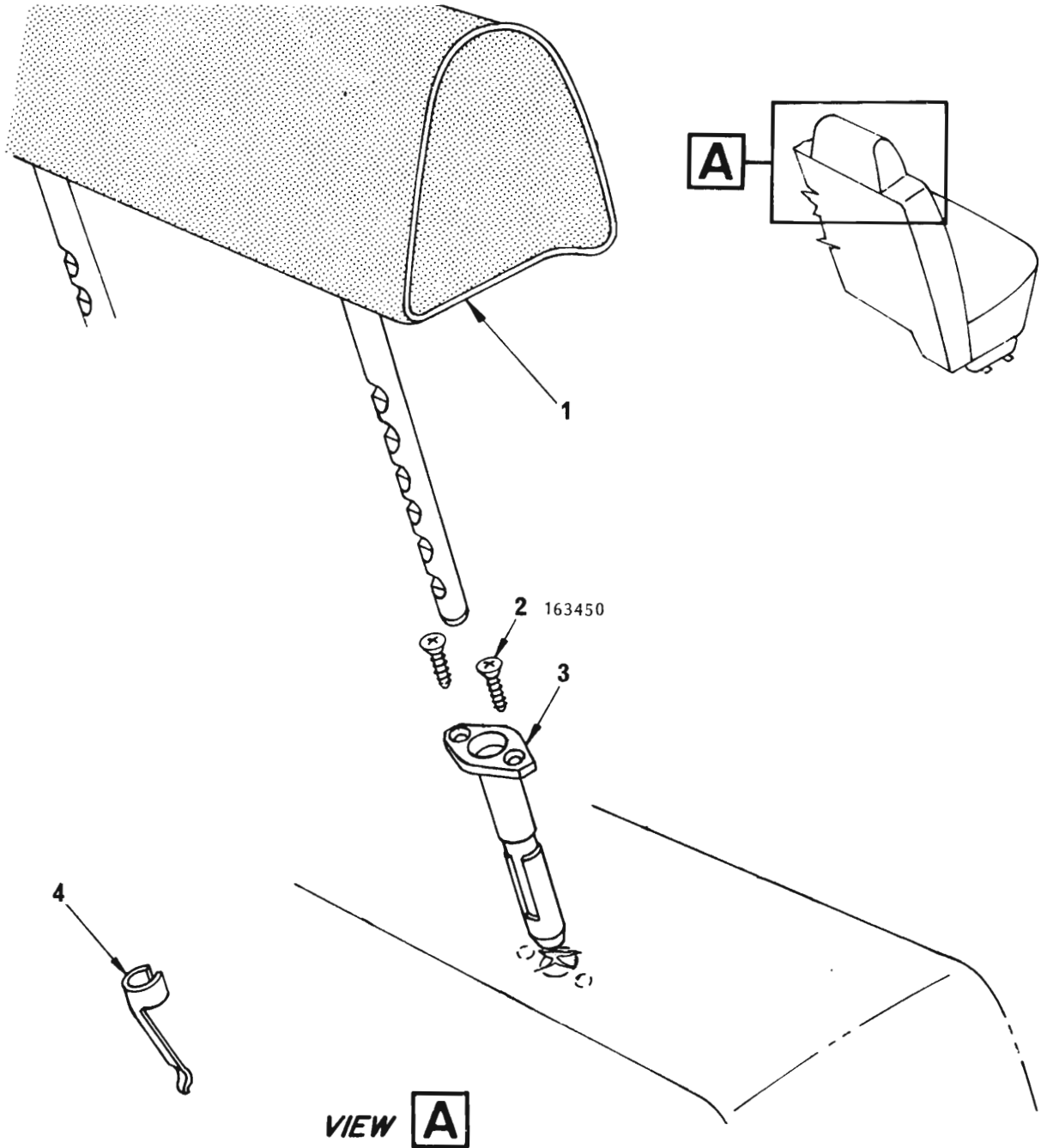
FOUR DOOR SEDAN TRIM

ILLUS. REF. NO.	PART NAME	GROUP	ILLUS. REF. NO.	PART NAME	GROUP
1.	PANEL - Instrument	9.743	20.	BUTTON - Rear seat back tufting	15.000
2.	PAD - Instrument panel	14.655	21.	COVER - Rear seat back	15.000
3.	HOUSING & DIAL ASSY. - Trans.indicator	4.038	22.	FASTENER - Package tray trim	15.024
4.	BAR - Horn actuating	2.830	23.	TRIM - Package tray	15.024
5.	WHEEL - Steering	6.513	24.	COVER - Rear seat cushion	15.035
6.	SUPPORT - Rear vision mirror	10.187	25.	TRIM - Rear door	14.760
7.	MIRROR - Rear vision	10.185	26.	HOOK - Seat belt stowage	14.799
8.	BASE - Dome lamp	11.925	27.	TRIM - Centre pillar	14.730
9.	SUNVISOR	10.203	28.	TRIM - Front door	14.685
10.	TRIM - Front door garnish	14.691	29.	ARM REST - Front door	14.686
11.	WINDLACE - Front door opening	15.520	30.	GAITER - Hand brake lever	4.608
12.	KNOB - Door inside locking	10.559	31.	CARPET or MAT - Front floor	15.286
13.	HOOK - Coat	14.651	32.	KNOB - Gearshift control	4.009
14.	TRIM - Rear door garnish	14.764	33.	PANEL - Cowl side trim	14.630
15.	ASH TRAY - Rear door	12.030	34.	BUTTON - Front seat tufting	14.800
16.	ARM REST - Rear door	14.762	35.	COVER - Front seat back	14.800
17.	HEADLINING	14.640	36.	HEAD RESTRAINT	14.796
18.	WINDLACE - Rear door opening	15.520	37.	COVER - Front seat cushion	14.880
19.	CHANNEL - Rear glass	11.207			



HEADLINING, WINDLACE and LISTING WIRES

ILLUS. REF. NO.	PART NAME	GROUP
1.	WINDLACE - Door opening - Front	15.520
2.	WIRE - Headlining listing - No. 1	12.955
3.	PANEL - Roof	12.810
4.	WIRE - Headlining listing - No. 2	12.955
5.	BOW - Roof	12.952
6.	WIRE - Headlining listing - No. 3	12.955
7.	HEADLINING	14.640
8.	WIRE - Headlining listing - No. 4	12.955
9.	PAD - Rear quarter - Upper	15.103
10.	TRIM - Rear quarter - Lower	15.100
11.	TRIM - Centre pillar	14.730
12.	WINDLACE - Door opening - Rear	15.520



VIEW **A**

HEAD RESTRAINT ASSEMBLY

ILLUS. REF. NO.	PART NAME	GROUP	ILLUS. REF. NO.	PART NAME	GROUP
1.	HEAD RESTRAINT ASSY. - Front seat	14.796	3.	GUIDE	11.376
2.	SCREW - Oval hd. No.8 - 18 x 3/4" (cad or zinc)	8.977	4.	SPRING - Retainer	11.376

HOLDEN "LJ" PARTS CATALOGUE

GROUP	DESCRIPTION	SIDE	PART No.	QTY.	822		823		824/828		825		829		
					11	11	69	11	69	69	11	11	69	11	
14.630	PANEL – Cowl side trim														
	PANEL	L.H.	7447931	1	X	X	X	X	X	X	X	X	X	X	X
	PANEL	R.H.	7447932	1	X	X	X	X	X	X	X	X	X	X	X
	PANEL – Black	L.H.	7447931BA	1	X	X	X	X	X	X	X	X	X	X	X
		R.H.	7447932BA	1	X	X	X	X	X	X	X	X	X	X	X
	PANEL – Antique gold	L.H.	7447931BB	1	X	X	X	X	X	X	X	X	X	X	X
		R.H.	7447932BB	1	X	X	X	X	X	X	X	X	X	X	X
	PANEL – Antique brown	L.H.	7447931CJ	1	X	X	X	X	X	X	X	X	X	X	X
		R.H.	7447932CJ	1	X	X	X	X	X	X	X	X	X	X	X
	PANEL – Turquoise mist	L.H.	7447931BD	1	X	X	X	X	X	X	X	X	X	X	X
	PANEL – Cinnabar	L.H.	7447931DA	1	X	X	X	X	X	X	X	X	X	X	X
		R.H.	7447932DA	1	X	X	X	X	X	X	X	X	X	X	X
	PANEL – Indigo	L.H.	7447931DB	1	X	X	X	X	X	X	X	X	X	X	X
		R.H.	7447932DB	1	X	X	X	X	X	X	X	X	X	X	X
	PANEL – Dark ash	L.H.	7447931DD	1	X	X	X	X	X	X	X	X	X	X	X
		R.H.	7447932DD	1	X	X	X	X	X	X	X	X	X	X	X
	PANEL – Juniper	L.H.	7447931DE	1	X	X	X	X	X	X	X	X	X	X	X
		R.H.	7447932DE	1	X	X	X	X	X	X	X	X	X	X	X
PANEL – Chestnut	L.H.	7447931DG	1	X	X	X	X	X	X	X	X	X	X	X	
	R.H.	7447932DG	1	X	X	X	X	X	X	X	X	X	X	X	
14.640	HEADLINING														
	HEADLINING ASSY – Black		2810500BA	1	X	X		X							X
	HEADLINING ASSY – Flax		2810500CG	1	X	X		X							X
	HEADLINING ASSY – Saddle		2810500CA	1	X	X		X							X
	HEADLINING ASSY – Red		2810500CB	1	X	X		X							X
	HEADLINING ASSY – Blue		2810500CD	1	X	X		X							X
	HEADLINING ASSY – Green		2810500CE	1	X	X		X							X
	HEADLINING ASSY – Brown		2810500CJ	1	X	X		X							X
	HEADLINING ASSY – Doeskin		2810500DF	1	X	X		X							X
	HEADLINING ASSY – Cinnabar		2810500DA	1	X	X		X							X
	HEADLINING ASSY – Indigo		2810500DB	1	X	X		X							X
	HEADLINING ASSY – Ash		2810500DC	1	X	X		X							X
	HEADLINING ASSY – Juniper		2810500DE	1	X	X		X							X
	HEADLINING ASSY – Chestnut		2810500DG	1	X	X		X							X
	HEADLINING ASSY – Black		2810501BA	1				X		X	X				
	HEADLINING ASSY – Flax		2810501CG	1				X		X	X				
	HEADLINING ASSY – Saddle		2810501CA	1				X		X	X				
	HEADLINING ASSY – Red		2810501CB	1				X		X	X				
	HEADLINING ASSY – Blue		2810501CD	1				X		X	X				
	HEADLINING ASSY – Green		2810501CE	1				X		X	X				
	HEADLINING ASSY – Brown		2810501CJ	1				X		X	X				
	HEADLINING ASSY – Doeskin		2810501DF	1				X		X	X				
	HEADLINING ASSY – Cinnabar		2810501DA	1				X		X	X				
	HEADLINING ASSY – Indigo		2810501DB	1				X		X	X				
HEADLINING ASSY – Ash		2810501DC	1				X		X	X					
HEADLINING ASSY – Juniper		2810501DE	1				X		X	X					
HEADLINING ASSY – Chestnut*		2810501DG	1				X		X	X					
14.651	HOOK – Coat														
	HOOK – Black		9928929BA	2		X	X	X	X	X	X	X	X	X	X
	HOOK – Flax		7439232CG	2		X	X	X	X	X	X	X	X	X	X
	HOOK – Saddle		7439232CA	2		X	X	X	X	X	X	X	X	X	X
	HOOK – Red		7439232CB	2		X	X	X	X	X	X	X	X	X	X
	HOOK – Blue		7439232CD	2		X	X	X	X	X	X	X	X	X	X
	HOOK – Green		7439232CE	2		X	X	X	X	X	X	X	X	X	X
	HOOK – Brown		7439232CJ	2		X	X	X	X	X	X	X	X	X	X
	HOOK – Doeskin		9928929DF	2		X	X	X	X	X	X	X	X	X	X
	HOOK – Cinnabar		9928929DA	2		X	X	X	X	X	X	X	X	X	X
	HOOK – Ash		9928929DC	2		X	X	X	X	X	X	X	X	X	X
	HOOK – Indigo		9928929DB	2		X	X	X	X	X	X	X	X	X	X
	HOOK – Juniper		9928929DE	2		X	X	X	X	X	X	X	X	X	X
	HOOK – Chestnut		9928929DG	2		X	X	X	X	X	X	X	X	X	X

HOLDEN "LJ" PARTS CATALOGUE

GROUP	DESCRIPTION	SIDE	PART No.	QTY.	822	823		824/828		825	829
					11	11	69	11	69	69	11
14.655	PAD – Instrument panel										
	PAD ASSY. – Black		2818958BA	1	X	X	X	X	X	X	X
	PAD ASSY. – Olive green		2818958CE	1	X	X	X	X	X	X	X
	PAD ASSY. – Antique brown		2818958CJ	1	X	X	X	X	X	X	X
	PAD ASSY. – Dark ash		2818958DD	1	X	X	X	X	X	X	X
	PAD ASSY. – Chestnut		2818958DG	1	X	X	X	X	X	X	X
	RETAINER – Pad to instrument panel		2820217	5	X	X	X	X	X	X	X
CLIP – Pad base attaching		SP2229	4	X	X	X	X	X	X	X	
14.655	PAD – Instrument panel compartment door										
	PAD ASSY. – Black		2819554BA	1	X	X	X	X	X	X	X
	PAD ASSY. – Olive green		2819554CE	1	X	X	X	X	X	X	X
	PAD ASSY. – Antique brown		2819554CJ	1	X	X	X	X	X	X	X
	PAD ASSY. – Dark ash		2819554DD	1	X	X	X	X	X	X	X
	PAD ASSY. – Chestnut		2819554DG	1	X	X	X	X	X	X	X
	SCREW – Pad to door		SP2256	4	X	X	X	X	X	X	X
14.685	TRIM ASSEMBLY – Front door										
	TRIM Nos. 40A	L.H.	2818937BA	1	X						
		R.H.	2818938BA	1	X						
	TRIM Nos. 41A	L.H.	2818937CK	1	X						
		R.H.	2818938CK	1	X						
	TRIM Nos. 42A	L.H.	2818937CL	1	X						
		R.H.	2818938CL	1	X						
	TRIM Nos. 42B	L.H.	2818937BW	1	X						
		R.H.	2818938BW	1	X						
	TRIM Nos. 49A	L.H.	2818937CM	1	X						
		R.H.	2818938CM	1	X						
	TRIM Nos. 50A	L.H.	2818937CY	1	X						
		R.H.	2818938CY	1	X						
	TRIM Nos. 52A	L.H.	2818937DJ	1	X						
		R.H.	2818938DJ	1	X						
	TRIM Nos. 54A	L.H.	2818937DK	1	X						
		R.H.	2818938DK	1	X						
	TRIM Nos. 55A	L.H.	2818937DL	1	X						
		R.H.	2818938DL	1	X						
	TRIM Nos. 59A	L.H.	2818937DM	1	X						
		R.H.	2818938DM	1	X						
	TRIM Nos. 40D, 40E	L.H.	2819307BA	1		X		X			
		R.H.	2819306BA	1		X		X			
	TRIM Nos. 41C, 41F	L.H.	2819307BB	1		X		X			
		R.H.	2819306BB	1		X		X			
	TRIM Nos. 41D, 41E	L.H.	2819307CA	1		X		X			
		R.H.	2819306CA	1		X		X			
	TRIM Nos. 42C, 42F	L.H.	2819307BT	1		X		X			
		R.H.	2819306BT	1		X		X			
	TRIM Nos. 42D, 42E	L.H.	2819307CB	1		X		X			
		R.H.	2819306CB	1		X		X			
	TRIM Nos. 43C, 43F	L.H.	2819307BD	1		X		X			
		R.H.	2819306BD	1		X		X			
	TRIM Nos. 44C, 44F	L.H.	2819307BE	1		X		X			
		R.H.	2819306BE	1		X		X			
	TRIM Nos. 44D, 44E	L.H.	2819307CD	1		X		X			
		R.H.	2819306CD	1		X		X			
	TRIM Nos. 46D, 46E	L.H.	2819307CE	1		X		X			
		R.H.	2819306CE	1		X		X			
	TRIM Nos. 47C, 47F	L.H.	2819307BU	1		X		X			
		R.H.	2819306BU	1		X		X			
	TRIM Nos. 48C, 48F	L.H.	2819307BG	1		X		X			
	R.H.	2819306BG	1		X		X				
TRIM Nos. 48D, 48E	L.H.	2819307CG	1		X		X				
	R.H.	2819306CG	1		X		X				

HOLDEN "LJ" PARTS CATALOGUE

GROUP	DESCRIPTION	SIDE	PART No.	QTY.	822	823		824/828		825	829
					11	11	69	11	69	69	11
14.685	TRIM ASSEMBLY – Front door (contd.)										
	TRIM Nos. 49D, 49E	L.H.	2819307CJ	1		X		X			
		R.H.	2819306CJ	1		X		X			
	TRIM Nos. 50D, 50E	L.H.	2819307CY	1		X		X			
		R.H.	2819306CY	1		X		X			
	TRIM Nos. 52D, 52E	L.H.	2819307DA	1		X		X			
		R.H.	2819306DA	1		X		X			
	TRIM Nos. 54D, 54E	L.H.	2819307DB	1		X		X			
		R.H.	2819306DB	1		X		X			
	TRIM Nos. 55D, 55E	L.H.	2819307DC	1		X		X			
		R.H.	2819306DC	1		X		X			
	TRIM Nos. 56D, 56E	L.H.	2819307DE	1		X		X			
		R.H.	2819306DE	1		X		X			
	TRIM Nos. 58C, 58D, 58E, 58F	L.H.	2819307DF	1		X		X			
		R.H.	2819306DF	1		X		X			
	TRIM Nos. 59D, 59E	L.H.	2819307DG	1		X		X			
		R.H.	2819306DG	1		X		X			
	TRIM Nos. 40D, 40E	L.H.	2819079BA	1				X		X	
		R.H.	2819078BA	1				X		X	
	TRIM Nos. 41C, 41F	L.H.	2819079BB	1				X		X	
		R.H.	2819078BB	1				X		X	
	TRIM Nos. 41D, 41E	L.H.	2819079CA	1				X		X	
		R.H.	2819078CA	1				X		X	
	TRIM Nos. 42C, 42F	L.H.	2819079BT	1				X		X	
		R.H.	2819078BT	1				X		X	
	TRIM Nos. 42D, 42E	L.H.	2819079CB	1				X		X	
		R.H.	2819078CB	1				X		X	
	TRIM Nos. 43C, 43F	L.H.	2819079BD	1				X		X	
		R.H.	2819078BD	1				X		X	
	TRIM Nos. 44C, 44F	L.H.	2819079BE	1				X		X	
		R.H.	2819078BE	1				X		X	
	TRIM Nos. 44D, 44E	L.H.	2819079CD	1				X		X	
		R.H.	2819078CD	1				X		X	
	TRIM Nos. 46D, 46E	L.H.	2819079CE	1				X		X	
		R.H.	2819078CE	1				X		X	
	TRIM Nos. 47C, 47F	L.H.	2819079BU	1				X		X	
		R.H.	2819078BU	1				X		X	
	TRIM Nos. 48C, 48F	L.H.	2819079BG	1				X		X	
		R.H.	2819078BG	1				X		X	
	TRIM Nos. 48D, 48E	L.H.	2819079CG	1				X		X	
		R.H.	2819078CG	1				X		X	
	TRIM Nos. 49D, 49E	L.H.	2819079CJ	1				X		X	
		R.H.	2819078CJ	1				X		X	
	TRIM Nos. 50D, 50E, 50G, 50H, 50J, 50K	L.H.	2819079CY	1				X		X	
		R.H.	2819078CY	1				X		X	
	TRIM Nos. 52D, 52E	L.H.	2819079DA	1				X		X	
		R.H.	2819078DA	1				X		X	
TRIM Nos. 54D, 54E, 54G, 54J	L.H.	2819079DB	1				X		X		
	R.H.	2819078DB	1				X		X		
TRIM Nos. 55D, 55E, 55G, 55J	L.H.	2819079DC	1				X		X		
	R.H.	2819078DC	1				X		X		
TRIM Nos. 56D, 56E, 56G, 56J	L.H.	2819079DE	1				X		X		
	R.H.	2819078DE	1				X		X		
TRIM Nos. 58C, 58D, 58E, 58F, 58G, 58H, 58J, 58K	L.H.	2819079DF	1				X		X		
	R.H.	2819078DF	1				X		X		
TRIM Nos. 59D, 59E, 59G, 59J	L.H.	2819079DG	1				X		X		
	R.H.	2819078DG	1				X		X		
TRIM Nos. 40R, 40T, 40U	L.H.	2819083BA	1							X	
	R.H.	2819082BA	1							X	
TRIM Nos. 41R, 41T	L.H.	2819083CA	1							X	
	R.H.	2819082CA	1							X	
TRIM Nos. 42R	L.H.	2819083CB	1							X	
	R.H.	2819082CB	1							X	

HOLDEN "LJ" PARTS CATALOGUE

GROUP	DESCRIPTION	SIDE	PART No.	QTY.	822		823		824/828		825		829	
					11	11	69	11	69	69	11			
14.685	TRIM ASSEMBLY – Front door (contd.)													
	TRIM Nos. 44R	L.H.	2819083CD	1									X	
		R.H.	2819082CD	1									X	
	TRIM Nos. 46R, 46S, 46T	L.H.	2819083CE	1									X	
		R.H.	2819082CE	1									X	
	TRIM Nos. 48R, 48U	L.H.	2819083CG	1									X	
		R.H.	2819082CG	1									X	
	TRIM Nos. 49R, 49T	L.H.	2819083CJ	1									X	
		R.H.	2819082CJ	1									X	
	TRIM Nos. 50R, 50T, 50U	L.H.	2819083CY	1									X	
		R.H.	2819082CY	1									X	
	TRIM Nos. 52R	L.H.	2819083DA	1									X	
		R.H.	2819082DA	1									X	
	TRIM Nos. 54R, 54T	L.H.	2819083DB	1									X	
		R.H.	2819082DB	1									X	
	TRIM Nos. 55R, 55T	L.H.	2819083DC	1									X	
		R.H.	2819082DC	1									X	
	TRIM Nos. 56R, 56T	L.H.	2819083DE	1									X	
		R.H.	2819082DE	1									X	
	TRIM Nos. 58R, 58T, 58S, 58V	L.H.	2819083DF	1									X	
		R.H.	2819082DF	1									X	
	TRIM Nos. 59R, 59T	L.H.	2819083DG	1									X	
		R.H.	2819082DG	1									X	
	TRIM Nos. 40X, 40Y, 40Z, exc. XU1 Eng.	L.H.	2818613BA	1										X
		R.H.	2818612BA	1										X
	TRIM Nos. 41X, 41Y	L.H.	2818613CA	1										X
		R.H.	2818612CA	1										X
	TRIM Nos. 44X, 44Y	L.H.	2818613CD	1										X
		R.H.	2818612CD	1										X
	TRIM Nos. 46X, 46Y	L.H.	2818613CE	1										X
		R.H.	2818612CE	1										X
	TRIM Nos. 48X, 48Y	L.H.	2818613CG	1										X
		R.H.	2818612CG	1										X
	TRIM Nos. 49X, 49Y	L.H.	2818613CJ	1										X
		R.H.	2818612CJ	1										X
	TRIM Nos. 50X, 50Y exc. XU1 Eng.	L.H.	2818613CY	1										X
		R.H.	2818612CY	1										X
	TRIM Nos. 54X, 54Y exc. XU1 Eng.	L.H.	2818613DB	1										X
		R.H.	2818612DB	1										X
	TRIM Nos. 55X, 55Y exc. XU1 Eng.	L.H.	2818613DC	1										X
		R.H.	2818612DC	1										X
	TRIM Nos. 56X, 56Y exc. XU1 Eng.	L.H.	2818613DE	1										X
		R.H.	2818612DE	1										X
	TRIM Nos. 58X, 58Y exc. XU1 Eng.	L.H.	2818613DF	1										X
		R.H.	2818612DF	1										X
	TRIM Nos. 59X, 59Y exc. XU1 Eng.	L.H.	2818613DG	1										X
		R.H.	2818612DG	1										X
TRIM Nos. 40X, XU1 Eng.	L.H.	2820207BA	1										X	
	R.H.	2820208BA	1										X	
TRIM Nos. 50X, 50Y XU1 Eng.	L.H.	2820207CY	1										X	
	R.H.	2820208CY	1										X	
TRIM Nos. 54X, 54Y XU1 Eng.	L.H.	2820207DB	1										X	
	R.H.	2820208DB	1										X	
TRIM Nos. 55X, 55Y XU1 Eng.	L.H.	2820207DC	1										X	
	R.H.	2820208DC	1										X	
TRIM Nos. 56X, 56Y XU1 Eng.	L.H.	2820207DE	1										X	
	R.H.	2820208DE	1										X	
TRIM Nos. 58X, 58Y XU1 Eng.	L.H.	2820207DF	1										X	
	R.H.	2820208DF	1										X	
TRIM Nos. 59X, 59Y XU1 Eng.	L.H.	2820207DG	1										X	
	R.H.	2820208DG	1										X	
CLIP – Trim to door			7377884	A.R.	X	X	X	X	X	X	X	X	X	
CAP – Clip			7410830	A.R.	X	X	X	X	X	X	X	X	X	

HOLDEN "LJ" PARTS CATALOGUE

GROUP	DESCRIPTION	SIDE	PART No.	QTY.	822		823		824/828		825		829		
					11	11	69	11	69	69	11	69	69	11	
14.686	ARM REST – Front door														
	TRIM Nos. 40D, 40E, 40R, 40T, 40U, 40X, 40Y, 40Z, 50D, 50E, 50R, 50T, 50U, 50X, 50Y, 50G, 50H, 50J, 50K				7437712BA	2		X	X	X	X	X	X	X	
	TRIM Nos. 41C, 41F				7437712BB	2		X	X	X	X	X	X	X	
	TRIM Nos. 41D, 41E, 41R, 41T, 41X, 41Y				7437712CA	2		X	X	X	X	X	X	X	
	TRIM Nos. 42C, 42F				7437712BT	2		X	X	X	X	X	X	X	
	TRIM Nos. 42D, 42E, 42R				7437712CB	2		X	X	X	X	X	X	X	
	TRIM Nos. 43C, 43F				7437712BD	2		X	X	X	X	X	X	X	
	TRIM Nos. 44C, 44F				7437712BE	2		X	X	X	X	X	X	X	
	TRIM Nos. 44D, 44E, 44R, 44X, 44Y				7437712CD	2		X	X	X	X	X	X	X	
	TRIM Nos. 46D, 46E, 46R, 46T, 46X, 46Y				7437712CE	2		X	X	X	X	X	X	X	
	TRIM Nos. 47C, 47F				7437712BU	2		X	X	X	X	X	X	X	
	TRIM Nos. 48C, 48F				7437712BG	2		X	X	X	X	X	X	X	
	TRIM Nos. 48D, 48E, 48R, 48U, 48X, 48Y				7437712CG	2		X	X	X	X	X	X	X	
	TRIM Nos. 49D, 49E, 49R, 49T, 49X, 49Y				7437712CJ	2		X	X	X	X	X	X	X	
	TRIM Nos. 52D, 52E, 52R				7437712DA	2		X	X	X	X	X	X	X	
	TRIM Nos. 54D, 54E, 54G, 54J, 54R, 54T, 54X				7437712DB	2		X	X	X	X	X	X	X	
	TRIM Nos. 55D, 55E, 55G, 55J, 55R, 55T, 55X, 55Y				7437712DC	2		X	X	X	X	X	X	X	
	TRIM Nos. 56D, 56E, 56G, 56J, 56R, 56T, 56X, 56Y				7437712DE	2		X	X	X	X	X	X	X	
	TRIM Nos. 58C, 58D, 58E, 58F, 58G, 58H, 58J, 58K, 58R, 58S, 58T, 58V, 58W, 58X, 58Y, 58Z				7437712DF	2		X	X	X	X	X	X	X	
	TRIM Nos. 59D, 59E, 59G, 59J, 59R, 59T, 59X, 59Y				7437712DG	2		X	X	X	X	X	X	X	
	14.691	TRIM – Front door garnish													
		TRIM Nos. 40D, 40E, 40X, 40Y, 40Z		L.H.	C787BA	1		X		X					X
				R.H.	C786BA	1		X		X					X
		TRIM Nos. 41C, 41F		L.H.	C787BB	1		X		X					X
				R.H.	C786BB	1		X		X					X
		TRIM Nos. 41D, 41E, 41X, 41Y		L.H.	C787CA	1		X		X					X
				R.H.	C786CA	1		X		X					X
TRIM Nos. 42C, 42F		L.H.	C787BT	1		X		X					X		
		R.H.	C786BT	1		X		X					X		
TRIM Nos. 42D, 42E, 42X, 42Y		L.H.	C787CB	1		X		X					X		
		R.H.	C786CB	1		X		X					X		
TRIM Nos. 43C, 43F		L.H.	C787BD	1		X		X					X		
		R.H.	C786BD	1		X		X					X		
TRIM Nos. 44C, 44F		L.H.	C787BE	1		X		X					X		
		R.H.	C786BE	1		X		X					X		
TRIM Nos. 44D, 44E, 44X, 44Y		L.H.	C787CD	1		X		X					X		
		R.H.	C786CD	1		X		X					X		
TRIM Nos. 46D, 46E, 46X, 46Y		L.H.	C787CE	1		X		X					X		
		R.H.	C786CE	1		X		X					X		
TRIM Nos. 47C, 47F		R.H.	C786BU	1		X		X					X		
TRIM Nos. 48C, 48F		L.H.	C787BG	1		X		X					X		
		R.H.	C786BG	1		X		X					X		
TRIM Nos. 48D, 48E, 48X, 48Y		L.H.	C787CG	1		X		X					X		
		R.H.	C786CG	1		X		X					X		
TRIM Nos. 49D, 49E, 49X, 49Y		L.H.	C787CJ	1		X		X					X		
		R.H.	C786CJ	1		X		X					X		
TRIM Nos. 50D, 50E, 50X, 50Y		L.H.	C787CY	1		X		X					X		
		R.H.	C786CY	1		X		X					X		
TRIM Nos. 52D, 52E		L.H.	C787DA	1		X		X					X		
		R.H.	C786DA	1		X		X					X		
TRIM Nos. 54D, 54E, 54X, 54Y		L.H.	C787DB	1		X		X					X		
		R.H.	C786DB	1		X		X					X		
TRIM Nos. 55D, 55E, 55X, 55Y		L.H.	C787DC	1		X		X					X		
		R.H.	C786DC	1		X		X					X		
TRIM Nos. 56D, 56E, 56X, 56Y		L.H.	C787DE	1		X		X					X		
		R.H.	C786DE	1		X		X					X		
TRIM Nos. 58C, 58D, 58E, 58F, 58W, 58X, 58Y, 58Z		L.H.	C787DF	1		X		X					X		
		R.H.	C786DF	1		X		X					X		

HOLDEN "LJ" PARTS CATALOGUE

GROUP	DESCRIPTION	SIDE	PART No.	QTY.	822		823		824/828		825		829	
					11	11	69	11	69	69	11			
14.691	TRIM – Front door garnish (contd.)													
	TRIM Nos. 59D, 59E, 59X, 59Y	L.H.	C787DG	1			X		X					X
		R.H.	C786DG	1			X		X					X
	TRIM Nos. 40D, 40E, 40R, 40T, 40U	L.H.	C789BA	1				X		X	X			
		R.H.	C788BA	1				X		X	X			
	TRIM Nos. 41C, 41F	L.H.	C789BB	1				X		X	X			
		R.H.	C788BB	1				X		X	X			
	TRIM Nos. 41D, 41E, 41R, 41T	L.H.	C789CA	1				X		X	X			
		R.H.	C788CA	1				X		X	X			
	TRIM Nos. 42C, 42F	R.H.	C788BT	1				X		X	X			
	TRIM Nos. 42D, 42E, 42R	L.H.	C789CB	1				X		X	X			
		R.H.	C788CB	1				X		X	X			
	TRIM Nos. 43C, 43F	L.H.	C789BD	1				X		X	X			
		R.H.	C788BD	1				X		X	X			
	TRIM Nos. 44C, 44F	L.H.	C789BE	1				X		X	X			
		R.H.	C788BE	1				X		X	X			
	TRIM Nos. 44D, 44E, 44R	L.H.	C789CD	1				X		X	X			
		R.H.	C788CD	1				X		X	X			
	TRIM Nos. 46D, 46E, 46R, 46S, 46T	L.H.	C789CE	1				X		X	X			
		R.H.	C788CE	1				X		X	X			
	TRIM Nos. 47C, 47F	L.H.	C789BU	1				X		X	X			
		R.H.	C788BU	1				X		X	X			
	TRIM Nos. 48C, 48F	L.H.	C789BG	1				X		X	X			
		R.H.	C788BG	1				X		X	X			
	TRIM Nos. 48D, 48E, 48R, 48U	L.H.	C789CG	1				X		X	X			
		R.H.	C788CG	1				X		X	X			
	TRIM Nos. 49D, 49E, 49R, 49T	L.H.	C789CJ	1				X		X	X			
		R.H.	C788CJ	1				X		X	X			
	TRIM Nos. 50D, 50E, 50R, 50T, 50U	L.H.	C789CY	1				X		X	X			
		R.H.	C788CY	1				X		X	X			
TRIM Nos. 52D, 52E, 52R	L.H.	C789DA	1				X		X	X				
	R.H.	C788DA	1				X		X	X				
TRIM Nos. 54D, 54E, 54R, 54T	L.H.	C789DB	1				X		X	X				
	R.H.	C788DB	1				X		X	X				
TRIM Nos. 55D, 55E, 55R, 55T	L.H.	C789DC	1				X		X	X				
	R.H.	C788DC	1				X		X	X				
TRIM Nos. 56D, 56E, 56R, 56T	L.H.	C789DE	1				X		X	X				
	R.H.	C788DE	1				X		X	X				
TRIM Nos. 58C, 58D, 58E, 58F, 58R, 58S, 58T, 58V	L.H.	C789DF	1				X		X	X				
	R.H.	C788DF	1				x		x	x				
TRIM Nos. 59D, 59E, 59R, 59T	L.H.	C789DG	1				X		X	X				
	R.H.	C788DG	1				X		X	X				
14.691	PLATE – Front door name													
	PLATE "GTR" NAME – Exc. XU1 Eng.		2810504	2										X
14.694	SEAL – Front door inner panel													
	SEAL	L.H.	2812837	1				X		X	X			
		R.H.	2812836	1				X		X	X			
	SEAL	L.H.	2812835	1	X	X			X				X	
		R.H.	2812834	1	X	X			X				X	
14.730	TRIM – Centre pillar													
	TRIM Nos. 40D, 40E, 40R, 40T, 40U	L.H.	B539BA	1				X		X	X			
		R.H.	B538BA	1				X		X	X			
	TRIM Nos. 41C, 41F	L.H.	B539BB	1				X		X	X			
		R.H.	B538BB	1				X		X	X			
	TRIM Nos. 41D, 41E, 41R, 41T	L.H.	B539CA	1				X		X	X			
		R.H.	B538CA	1				X		X	X			
	TRIM Nos. 42D, 42E, 42R	L.H.	B539CB	1				X		X	X			
		R.H.	B538CB	1				X		X	X			
	TRIM Nos. 43C, 43F	L.H.	B539BD	1				X		X	X			

HOLDEN "LJ" PARTS CATALOGUE

GROUP	DESCRIPTION	SIDE	PART No.	QTY.	822		823		824/828		825	829
					11	11	69	11	69	69	11	
14.730	TRIM – Centre pillar (contd.)											
	TRIM Nos. 44C, 44F	R.H.	B538BE	1				X		X	X	
	TRIM Nos. 44D, 44E, 44R	L.H.	B539CD	1				X		X	X	
		R.H.	B538CD	1				X		X	X	
	TRIM Nos. 46D, 46E, 46R, 46S, 46T	L.H.	B539CE	1				X		X	X	
		R.H.	B538CE	1				X		X	X	
	TRIM Nos. 48C, 48F	L.H.	B539BG	1				X		X	X	
		R.H.	B538BG	1				X		X	X	
	TRIM Nos. 48D, 48E, 48R, 48U	L.H.	B539CG	1				X		X	X	
		R.H.	B538CG	1				X		X	X	
	TRIM Nos. 49D, 49E, 49R, 49T	L.H.	B539CJ	1				X		X	X	
		R.H.	B538CJ	1				X		X	X	
	TRIM Nos. 50D, 50E, 50R, 50T, 50U	L.H.	B539CY	1				X		X	X	
		R.H.	B538CY	1				X		X	X	
	TRIM Nos. 52D, 52E, 52R	L.H.	B539DA	1				X		X	X	
		R.H.	B538DA	1				X		X	X	
	TRIM Nos. 54D, 54E, 54R, 54T	L.H.	B539DB	1				X		X	X	
		R.H.	B538DB	1				X		X	X	
	TRIM Nos. 55D, 55E, 55R, 55T	L.H.	B539DC	1				X		X	X	
		R.H.	B538DC	1				X		X	X	
TRIM Nos. 56D, 56E, 56R, 56T	L.H.	B539DE	1				X		X	X		
	R.H.	B538DE	1				X		X	X		
TRIM Nos. 58C, 58D, 58E, 58F, 58R, 58S, 58T, 58V	L.H.	B539DF	1				X		X	X		
	R.H.	B538DF	1				X		X	X		
TRIM Nos. 59D, 59E, 59R, 59T	L.H.	B539DG	1				X		X	X		
	R.H.	B538DG	1				X		X	X		
14.760	TRIM – Rear door											
	TRIM Nos. 40D, 40E	L.H.	2819299BA	1				X		X		
		R.H.	2819300BA	1				X		X		
	TRIM Nos. 41C, 41F	L.H.	2819299BB	1				X		X		
		R.H.	2819300BB	1				X		X		
	TRIM Nos. 41D, 41E	L.H.	2819299CA	1				X		X		
		R.H.	2819300CA	1				X		X		
	TRIM Nos. 42C, 42F	L.H.	2819299BT	1				X		X		
		R.H.	2819300BT	1				X		X		
	TRIM Nos. 42D, 42E	L.H.	2819299CB	1				X		X		
		R.H.	2819300CB	1				X		X		
	TRIM Nos. 43C, 43F	L.H.	2819299BD	1				X		X		
		R.H.	2819300BD	1				X		X		
	TRIM Nos. 44C, 44F	L.H.	2819299BE	1				X		X		
		R.H.	2819300BE	1				X		X		
	TRIM Nos. 44D, 44E	L.H.	2819299CD	1				X		X		
		R.H.	2819300CD	1				X		X		
	TRIM Nos. 46D, 46E	L.H.	2819299CE	1				X		X		
		R.H.	2819300CE	1				X		X		
	TRIM Nos. 47C, 47F	L.H.	2819299BU	1				X		X		
		R.H.	2819300BU	1				X		X		
	TRIM Nos. 48C, 48F	L.H.	2819299BG	1				X		X		
		R.H.	2819300BG	1				X		X		
	TRIM Nos. 48D, 48E	L.H.	2819299CG	1				X		X		
		R.H.	2819300CG	1				X		X		
	TRIM Nos. 49D, 49E	L.H.	2819299CJ	1				X		X		
		R.H.	2819300CJ	1				X		X		
	TRIM Nos. 50D, 50E, 50G, 50H, 50J, 50K	L.H.	2819299CY	1				X		X		
		R.H.	2819300CY	1				X		X		
	TRIM Nos. 52D, 52E	L.H.	2819299DA	1				X		X		
		R.H.	2819300DA	1				X		X		
	TRIM Nos. 54D, 54E, 54G, 54J	L.H.	2819299DB	1				X		X		
	R.H.	2819300DB	1				X		X			
TRIM Nos. 55D, 55E, 55G, 55J	L.H.	2819299DC	1				X		X			
	R.H.	2819300DC	1				X		X			

HOLDEN "LJ" PARTS CATALOGUE

GROUP	DESCRIPTION	SIDE	PART No.	QTY.	822		823		824/828		825		829	
					11	11	69	69	11	69	69	11		
14.760	TRIM – Rear door (contd.)													
	TRIM Nos. 56D, 56E, 56G, 56J	L.H.	2819299DE	1			X		X					
		R.H.	2819300DE	1			X		X					
	TRIM Nos. 58C, 58D, 58E, 58F, 58G, 58H, 58J, 58K	L.H.	2819299DF	1			X		X					
		R.H.	2819300DF	1			X		X					
	TRIM Nos. 59D, 59E, 59G, 59J	L.H.	2819299DG	1			X		X					
		R.H.	2819300DG	1			X		X					
	TRIM Nos. 40R, 40T, 40U	L.H.	2819301BA	1								X		
		R.H.	2819302BA	1								X		
	TRIM Nos. 41R, 41T	L.H.	2819301CA	1								X		
		R.H.	2819302CA	1								X		
	TRIM Nos. 42R	L.H.	2819301CB	1								X		
		R.H.	2819302CB	1								X		
	TRIM Nos. 44R	L.H.	2819301CD	1								X		
		R.H.	2819302CD	1								X		
	TRIM Nos. 46R, 46S, 46T	L.H.	2819301CE	1								X		
		R.H.	2819302CE	1								X		
	TRIM Nos. 48R, 48U	L.H.	2819301CG	1								X		
		R.H.	2819302CG	1								X		
	TRIM Nos. 49R, 49T	L.H.	2819301CJ	1								X		
		R.H.	2819302CJ	1								X		
	TRIM Nos. 50R, 50T, 50U	L.H.	2819301CY	1								X		
		R.H.	2819302CY	1								X		
	TRIM Nos. 52R	L.H.	2819301DA	1								X		
		R.H.	2819302DA	1								X		
	TRIM Nos. 54R, 54T	L.H.	2819301DB	1								X		
		R.H.	2819302DB	1								X		
	TRIM Nos. 55R, 55T	L.H.	2819301DC	1								X		
		R.H.	2819302DC	1								X		
	TRIM Nos. 56R, 56T	L.H.	2819301DE	1								X		
		R.H.	2819302DE	1								X		
	TRIM Nos. 58R, 58S, 58T, 58V	L.H.	2819301DF	1								X		
		R.H.	2819302DF	1								X		
	TRIM Nos. 59R, 59T	L.H.	2819301DG	1								X		
		R.H.	2819302DG	1								X		
	CAP – Clip		7410830	26			X		X			X		
	CLIP – Trim to door		7377884	26			X		X			X		
14.762	ARM REST – Rear door, rear quarter													
	TRIM Nos. 40D, 40E, 40R, 40T, 40U, 40X, 40Y, 40Z, 50D, 50E, 50G, 50H, 50J, 50K, 50R, 50T, 50U, 50X, 50Y,		7437712BA	2		X	X	X	X	X	X	X	X	X
	TRIM Nos. 41C, 41F		7437712BB	2		X	X	X	X	X	X	X	X	X
	TRIM Nos. 41D, 41E, 41R, 41T, 41X, 41Y		7437712CA	2		X	X	X	X	X	X	X	X	X
	TRIM Nos. 42C, 42F		7437712BT	2		X	X	X	X	X	X	X	X	X
	TRIM Nos. 42D, 42E, 42R		7437712CB	2		X	X	X	X	X	X	X	X	X
	TRIM Nos. 43C, 43F		7437712BD	2		X	X	X	X	X	X	X	X	X
	TRIM Nos. 44C, 44F		7437712BE	2		X	X	X	X	X	X	X	X	X
	TRIM Nos. 44D, 44E, 44R, 44X, 44Y		7437712CD	2		X	X	X	X	X	X	X	X	X
	TRIM Nos. 46D, 46E, 46R, 46S, 46T, 46X, 46Y		7437712CE	2		X	X	X	X	X	X	X	X	X
	TRIM Nos. 47C, 47F		7437712BU	2		X	X	X	X	X	X	X	X	X
	TRIM Nos. 48C, 48F		7437712BG	2		X	X	X	X	X	X	X	X	X
	TRIM Nos. 48D, 48E, 48R, 48U, 48X, 48Y		7437712CG	2		X	X	X	X	X	X	X	X	X
	TRIM Nos. 49D, 49E, 49R, 49T, 49X, 49Y		7437712CJ	2		X	X	X	X	X	X	X	X	X
	TRIM Nos. 52D, 52E, 52R		7437712DA	2		X	X	X	X	X	X	X	X	X
	TRIM Nos. 54D, 54E, 54G, 54J, 54R, 54T, 54X, 54Y		7437712DB	2		X	X	X	X	X	X	X	X	X
	TRIM Nos. 55D, 55E, 55G, 55J, 55R, 55T, 55X, 55Y		7437712DC	2		X	X	X	X	X	X	X	X	X
	TRIM Nos. 56D, 56E, 56G, 56J, 56R, 56T, 56X, 56Y		7437712DE	2		X	X	X	X	X	X	X	X	X
	TRIM Nos. 58C, 58D, 58E, 58F, 58G, 58H, 58J, 58K, 58R, 58S, 58T, 58V, 58W, 58X, 58Y, 58Z		7437712DF	2		X	X	X	X	X	X	X	X	X
	TRIM Nos. 59D, 59E, 59G, 59J, 59R, 59T, 59X, 59Y,		7437712DG	2		X	X	X	X	X	X	X	X	X

HOLDEN "LJ" PARTS CATALOGUE

GROUP	DESCRIPTION	SIDE	PART No.	QTY.	822	823	824/828	825	829
					11	11	69	11	69
14.764	TRIM – Rear door garnish								
	TRIM Nos. 40D, 40E, 40R, 40T, 40U	L.H.	C791BA	1			X	X	X
		R.H.	C790BA	1			X	X	X
	TRIM Nos. 41C, 41F	L.H.	C791BB	1			X	X	X
		R.H.	C790BB	1			X	X	X
	TRIM Nos. 41D, 41E, 41R, 41T	L.H.	C791CA	1			X	X	X
		R.H.	C790CA	1			X	X	X
	TRIM Nos. 42C, 42F	L.H.	C791BT	1			X	X	X
		R.H.	C790BT	1			X	X	X
	TRIM Nos. 42D, 42E, 42R	L.H.	C791CB	1			X	X	X
		R.H.	C790CB	1			X	X	X
	TRIM Nos. 43C, 43F	L.H.	C791BD	1			X	X	X
		R.H.	C790BD	1			X	X	X
	TRIM Nos. 44C, 44F	L.H.	C791BE	1			X	X	X
		R.H.	C790BE	1			X	X	X
	TRIM Nos. 44D, 44E, 44R	L.H.	C791CD	1			X	X	X
		R.H.	C790CD	1			X	X	X
	TRIM Nos. 46D, 46E, 46R, 46S, 46T	L.H.	C791CE	1			X	X	X
		R.H.	C790CE	1			X	X	X
	TRIM Nos. 47C, 47F	L.H.	C791BU	1			X	X	X
		R.H.	C790BU	1			X	X	X
	TRIM Nos. 48C, 48F	L.H.	C791BG	1			X	X	X
		R.H.	C790BG	1			X	X	X
	TRIM Nos. 48D, 48E, 48R, 48U	L.H.	C791CG	1			X	X	X
		R.H.	C790CG	1			X	X	X
	TRIM Nos. 49D, 49E, 49R, 49T	L.H.	C791CJ	1			X	X	X
		R.H.	C790CJ	1			X	X	X
	TRIM Nos. 50D, 50E, 50R, 50T, 50U	L.H.	C791CY	1			X	X	X
		R.H.	C790CY	1			X	X	X
	TRIM Nos. 52D, 52E, 52R	L.H.	C791DA	1			X	X	X
		R.H.	C790DA	1			X	X	X
	TRIM Nos. 54D, 54E, 54R, 54T	L.H.	C791DB	1			X	X	X
		R.H.	C790DB	1			X	X	X
TRIM Nos. 55D, 55E, 55R, 55T	L.H.	C791DC	1			X	X	X	
	R.H.	C790DC	1			X	X	X	
TRIM Nos. 56D, 56E, 56R, 56T	L.H.	C791DE	1			X	X	X	
	R.H.	C790DE	1			X	X	X	
TRIM Nos. 58C, 58D, 58E, 58F, 58R, 58S, 58T, 58V	L.H.	C791DF	1			X	X	X	
	R.H.	C790DF	1			X	X	X	
TRIM Nos. 59D, 59E, 59R, 59T	L.H.	C791DG	1			X	X	X	
	R.H.	C790DG	1			X	X	X	
14.768	SEAL – Rear door inner panel								
	SEAL	L.H.	2812839	1			X	X	X
		R.H.	2812838	1			X	X	X
14.796	FRONT SEAT, HEAD RESTRAINT								
	CURRENT PRODUCTION FRONT SEAT ASSEMBLIES AND HEAD RESTRAINT ASSEMBLIES WILL BE SUPPLIED IN CURRENT PRODUCTION TRIM ON A FIRM ORDER BASIS.								
14.798	BELT – Front seat (Bucket Seat) (Britax)								
	BELT ASSY – Black		(¹) 2811621BA	2	X	X	X		X
	BELT ASSY. – Baroque red		(¹) 2811621BT	2	X	X	X		X
	BELT ASSY. – Turquoise mist		(¹) 2811621BD	2	X	X	X		X
	BELT ASSY. – Blue		(¹) 2811621BE	2	X	X	X		X
	BELT ASSY. – Olive green		(¹) 2811621CE	2	X	X	X		X
	BELT ASSY. – Venetian green		(¹) 2811621BU	2	X	X	X		X
			(¹) 2811621BG	2	X	X	X		X
Note: (¹) Britax – Flat section buckle – Mounting point 4" from door opening prior to ADR4A.									

HOLDEN "LJ" PARTS CATALOGUE

GROUP	DESCRIPTION	SIDE	PART No.	QTY.	822		823		824/828		825		829	
					11	11	69	11	69	69	11			
14.798	BELT – Front seat (Bucket Seat) (Cooldrive)													
	BELT ASSY. – Black		(¹² 2811622BA	2	X	X		X						X
	BELT ASSY. – Antique brown		(¹² 2811622CJ	2	X	X		X						X
	BELT ASSY. – Antique gold		(¹² 2811622BB	2	X	X		X						X
	BELT ASSY. – Baroque red		(¹² 2811622BT	2	X	X		X						X
	BELT ASSY. – Blue		(¹² 2811622BE	2	X	X		X						X
	BELT ASSY. – Olive green		(¹² 2811622CE	2	X	X		X						X
	BELT ASSY. – Venetian green		(¹² 2811622BU	2	X	X		X						X
	BELT ASSY. – Black		(¹³ 9928316BA	2	X	X		X						X
	BELT ASSY. – Antique brown		(¹³ 9928316CJ	2	X	X		X						X
	BELT ASSY. – Baroque red		(¹³ 9928316BT	2	X	X		X						X
	BELT ASSY. – Dark ash		(¹³ 9928316DD	2	X	X		X						X
	BELT ASSY. – Chestnut		(¹³ 9928316DG	2	X	X		X						X
	BELT ASSY. – Black		(¹⁷ 9934987BA	2	X	X		X						X
	BELT ASSY. – Dark ash		(¹⁷ 9934987DD	2	X	X		X						X
	BELT ASSY. – Chestnut		(¹⁷ 9934987DG	2	X	X		X						X
14.798	BELT – Front seat (Bucket Seat) (Rainsford)													
	BELT ASSY. – Black		(¹⁴ 2815170BA	2	X	X		X						X
	BELT ASSY. – Antique brown		(¹⁴ 2815170CJ	2	X	X		X						X
	BELT ASSY. – Antique gold		(¹⁴ 2815170BB	2	X	X		X						X
	BELT ASSY. – Baroque red		(¹⁴ 2815170BT	2	X	X		X						X
	BELT ASSY. – Turquoise mist		(¹⁴ 2815170BD	2	X	X		X						X
	BELT ASSY. – Blue		(¹⁴ 2815170BE	2	X	X		X						X
	BELT ASSY. – Olive green		(¹⁴ 2815170CE	2	X	X		X						X
	BELT ASSY. – Venetian green		(¹⁴ 2815170BU	2	X	X		X						X
	BELT ASSY. – Sandalwood		(¹⁴ 2815170BG	2	X	X		X						X
	BELT ASSY. – Black		(¹⁵ 9928318BA	2	X	X		X						X
	BELT ASSY. – Antique brown		(¹⁵ 9928318CJ	2	X	X		X						X
	BELT ASSY. – Antique gold		(¹⁵ 9928318BB	2	X	X		X						X
	BELT ASSY. – Baroque red		(¹⁵ 9928318BT	2	X	X		X						X
	BELT ASSY. – Turquoise mist		(¹⁵ 9928318BD	2	X	X		X						X
	BELT ASSY. – Olive green		(¹⁵ 9928318CE	2	X	X		X						X
	BELT ASSY. – Venetian green		(¹⁵ 9928318BU	2	X	X		X						X
	BELT ASSY. – Sandalwood		(¹⁵ 9928318BG	2	X	X		X						X
	BELT ASSY. – Dark ash		(¹⁵ 9928318DD	2	X	X		X						X
	BELT ASSY. – Chestnut		(¹⁵ 9928318DG	2	X	X		X						X
14.798	BELT – Front seat (Bucket seat) (Rainsford – Mini buckle)													
	BELT ASSY. – Black		(¹⁶ 9931588BA	2	X	X		X						X
	BELT ASSY. – Antique brown		(¹⁶ 9931588CJ	2	X	X		X						X
	BELT ASSY. – Olive green		(¹⁶ 9931588CE	2	X	X		X						X
	BELT ASSY. – Dark ash		(¹⁶ 9931588DD	2	X	X		X						X
	BELT ASSY. – Chestnut		(¹⁶ 9931588DG	2	X	X		X						X
	BELT ASSY. – Black		(¹⁶ 9934988BA	2	X	X		X						X
	BELT ASSY. – Dark ash		(¹⁸ 9934988DD	2	X	X		X						X
	BELT ASSY. – Chestnut		(¹⁸ 9934988DG	2	X	X		X						X
<p>Note: (¹² Cooldrive – Centre section of buckle raised – Mounting point 4" from door opening prior to ADR4A. (¹³ Cooldrive – Centre section of buckle raised – Mounting point 12" from door opening prior to ADR4A. (¹⁴ Rainsford – Branded R.M.P. on back of buckle – Mounting point 4" from door opening prior to ADR4A. (¹⁵ Rainsford – Branded R.M.P. on back of buckle – Mounting point 12" from door opening prior to ADR4A. (¹⁶ Rainsford – Mini Buckle – Branded R.M.P. on back of buckle Prior to ADR4A. (¹⁷ Cooldrive – Centre Section of Buckle raised – use with ADR4A. (¹⁸ Rainsford – Branded R.M.P. on back of buckle – use with ADR4A.</p>														

HOLDEN "LJ" PARTS CATALOGUE

GROUP	DESCRIPTION	SIDE	PART No.	QTY.	822		823		824/828		825		829	
					11	11	69	11	69	69	11	69	11	
14.798	BELT – Front seat (Bucket Seat) (Britax)													
	BELT ASSY. – Black		(⁸ 2811619BA	2			X		X	X				
	BELT ASSY. – Antique gold		(⁸ 2811619BB	2			X		X	X				
	BELT ASSY. – Antique brown		(⁸ 2811619CJ	2			X		X	X				
	BELT ASSY. – Baroque red		(⁸ 2811619BT	2			X		X	X				
	BELT ASSY. – Turquoise mist		(⁸ 2811619BD	2			X		X	X				
	BELT ASSY. – Blue		(⁸ 2811619BE	2			X		X	X				
	BELT ASSY. – Olive green		(⁸ 2811619CE	2			X		X	X				
	BELT ASSY. – Venetian green		(⁸ 2811619BU	2			X		X	X				
BELT ASSY. – Chestnut		(⁸ 2811619DG	2			X		X	X					
14.798	BELT – Front seat (Bucket Seat) (Cooldrive)													
	BELT ASSY. – Black		(⁸ 2811620BA	2			X		X	X				
	BELT ASSY. – Antique brown		(⁸ 2811620CJ	2			X		X	X				
	BELT ASSY. – Baroque red		(⁸ 2811620BT	2			X		X	X				
	BELT ASSY. – Turquoise mist		(⁸ 2811620BD	2			X		X	X				
	BELT ASSY. – Olive green		(⁸ 2811620CE	2			X		X	X				
	BELT ASSY. – Dark ash		(⁸ 2811620DD	2			X		X	X				
	BELT ASSY. – Chestnut		(⁸ 2811620DG	2			X		X	X				
	BELT ASSY. – Black		(¹⁷ 9934983BA	2			X		X	X				
BELT ASSY. – Dark ash		(¹⁷ 9934983DD	2			X		X	X					
BELT ASSY. – Chestnut		(¹⁷ 9934983DG	2			X		X	X					
14.798	BELT – Front seat (Bucket Seat) (Rainsford)													
	BELT ASSY. – Black		(⁸ 2815169BA	2			X		X	X				
	BELT ASSY. – Antique gold		(⁸ 2815169BB	2			X		X	X				
	BELT ASSY. – Antique brown		(⁸ 2815169CJ	2			X		X	X				
	BELT ASSY. – Baroque red		(⁸ 2815169BT	2			X		X	X				
	BELT ASSY. – Turquoise mist		(⁸ 2815169BD	2			X		X	X				
	BELT ASSY. – Blue		(⁸ 2815169BE	2			X		X	X				
	BELT ASSY. – Olive green		(⁸ 2815169CE	2			X		X	X				
	BELT ASSY. – Venetian green		(⁸ 2815169BU	2			X		X	X				
	BELT ASSY. – Sandalwood		(⁸ 2815169BG	2			X		X	X				
	BELT ASSY. – Dark ash		(⁸ 2815169DD	2			X		X	X				
	BELT ASSY. – Chestnut		(⁸ 2815169DG	2			X		X	X				
14.798	BELT – Front seat (Bucket seat) (Rainsford – Mini buckle)													
	BELT ASSY. – Black		(¹⁶ 9931587BA	2			X		X	X				
	BELT ASSY. – Antique brown		(¹⁶ 9931587CJ	2			X		X	X				
	BELT ASSY. – Olive green		(¹⁶ 9931587CE	2			X		X	X				
	BELT ASSY. – Dark ash		(¹⁶ 9931587DD	2			X		X	X				
	BELT ASSY. – Chestnut		(¹⁸ 9931587DG	2			X		X	X				
	BELT ASSY. – Black		(¹⁸ 9934984BA	2			X		X	X				
	BELT ASSY. – Dark ash		(¹⁸ 9934984DD	2			X		X	X				
BELT ASSY. – Chestnut		(¹⁸ 9934984DG	2			X		X	X					
14.798	BELT – Front seat lap & sash (Bench Seat) (Britax)													
	BELT ASSY. – Black		(⁸ 2811728BA				X			X				
	BELT ASSY. – Antique gold		(⁸ 2811728BB				X							
	BELT ASSY. – Antique brown		(⁸ 2811728CJ				X			X				
	BELT ASSY. – Turquoise mist		(⁸ 2811728BD				X							

Note: (⁸ Three manufacturers seat belts were used in production. It is desirable to replace with same type as initial equipment. Prior to ADR4A.
 Identification. Britax – Flat Section Buckle.
 Cooldrive – Centre section of buckle raised.
 Rainsford – Branded R.M.P. on back of buckle.
 (¹⁶ Rainsford – Mini Buckle – Branded R.M.P. on back of buckle Prior to ADR4A.
 (¹⁷ Cooldrive – Centre Section of Buckle raised – use with ADR4A.
 (¹⁸ Rainsford – Branded R.M.P. on back of buckle – use with ADR4A.

HOLDEN "LJ" PARTS CATALOGUE

GROUP	DESCRIPTION	SIDE	PART No.	QTY.	822		823		824/828		825	829	
					11	11	69	11	69	69	11		
14.798	BELT – Front seat lap & sash (contd.) (Bench Seat) (Britax) (contd.)												
	BELT ASSY. – Blue		(⁸ 2811728BE				X						
	BELT ASSY. – Olive green		(⁸ 2811728CE				X				X		
	BELT ASSY. – Venetian green		(⁸ 2811728BU				X						
	BELT ASSY. – Sandalwood		(⁸ 2811728BG				X						
	BELT ASSY. – Chestnut		(⁸ 2811728DG				X				X		
14.798	BELT – Front seat lap & sash (Bench Seat) (Cooldrive)												
	BELT ASSY. – Black		(⁸ 2811729BA				X				X		
	BELT ASSY. – Antique gold		(⁸ 2811729BB				X						
	BELT ASSY. – Antique brown		(⁸ 2811729CJ				X				X		
	BELT ASSY. – Olive green		(⁸ 2811729CE				X				X		
	BELT ASSY. – Sandalwood		(⁸ 2811729BG				X						
	BELT ASSY. – Dark ash		(⁸ 2811729DD				X				X		
	BELT ASSY. – Chestnut		(⁸ 2811729DG				X				X		
	BELT ASSY. – Black		(¹⁷ 9934985BA				X				X		
	BELT ASSY. – Dark ash		(¹⁷ 9934985DD				X				X		
	BELT ASSY. – Chestnut		(¹⁷ 9934985DG				X				X		
14.798	BELT – Front seat lap & sash (Bench Seat) (Rainsford)												
	BELT ASSY. – Black		(⁸ 2815168BA	2			X				X		
	BELT ASSY. – Antique gold		(⁸ 2815168BB	2			X						
	BELT ASSY. – Antique brown		(⁸ 2815168CJ	2			X				X		
	BELT ASSY. – Baroque red		(⁸ 2815168BT	2			X						
	BELT ASSY. – Turquoise mist		(⁸ 2815168BD	2			X						
	BELT ASSY. – Blue		(⁸ 2815168BE	2			X						
	BELT ASSY. – Olive green		(⁸ 2815168CE	2			X				X		
	BELT ASSY. – Venetian green		(⁸ 2815168BU	2			X						
	BELT ASSY. – Sandalwood		(⁸ 2815168BG	2			X						
	BELT ASSY. – Dark ash		(⁸ 2815168DD	2			X				X		
		BELT ASSY. – Chestnut		(⁸ 2815168DG	2			X				X	
	14.798	BELT – Front seat lap and sash (Bench seat) (Rainsford – Mini buckle)											
BELT ASSY. – Black			(¹⁶ 9931589BA				X				X		
BELT ASSY. – Antique brown			(¹⁶ 9931589CJ				X				X		
BELT ASSY. – Olive green			(¹⁶ 9931589CE				X				X		
BELT ASSY. – Dark ash			(¹⁶ 9931589DD				X				X		
BELT ASSY. – Chestnut			(¹⁶ 9931589DG				X				X		
BELT ASSY. – Black			(¹⁸ 9934986BA				X				X		
BELT ASSY. – Dark ash			(¹⁸ 9934986DD				X				X		
	BELT ASSY. – Chestnut		(¹⁸ 9934986DG				X				X		
14.798	BELT – Front seat centre lap (Bench Seat) (Britax)												
	BELT ASSY. – Antique gold		(⁸ 2811731BB	1			X				X		
	BELT ASSY. – Antique brown		(⁸ 2811731CJ	1			X						
	BELT ASSY. – Baroque red		(⁸ 2811731BT	1			X				X		
	BELT ASSY. – Turquoise mist		(⁸ 2811731BD	1			X						
	BELT ASSY. – Blue		(⁸ 2811731BE	1			X						
<p>Note: (⁸ Three manufacturers seat belts were used in production. It is desirable to replace with same type as initial equipment. Prior to ADR4A. Identification. Britax – Flat Section Buckle. Cooldrive – Centre section of buckle raised. Rainsford – Branded R.M.P. on back of buckle. (¹⁶ Rainsford – Mini Buckle – Branded R.M.P. on back of buckle Prior to ADR4A. (¹⁷ Cooldrive – Centre Section of Buckle raised – use with ADR4A. (¹⁸ Rainsford – Branded R.M.P. on back of buckle – use with ADR4A.</p>													

HOLDEN "LJ" PARTS CATALOGUE

GROUP	DESCRIPTION	SIDE	PART No.	QTY.	822		823		824/828		825	829
					11	11	69	11	69	69	11	
14.798	BELT – Front seat centre lap (contd.) (Bench Seat) (Britax) (contd.)											
	BELT ASSY. – Olive green		(⁸ 2811731CE	1			X				X	
	BELT ASSY. – Venetian green		(⁸ 2811731BU	1			X					
	BELT ASSY. – Sandalwood		(⁸ 2811731BG	1			X					
	BELT ASSY. – Dark ash		(⁸ 2811731DD	1			X				X	
	BELT ASSY. – Chestnut		(⁸ 2811731DG	1			X				X	
14.798	BELT – Front seat centre lap (Bench Seat) (Cooldrive)											
	BELT ASSY. – Black		(⁸ 2811732BA	1			X				X	
	BELT ASSY. – Antique gold		(⁸ 2811732BB	1			X					
	BELT ASSY. – Antique brown		(⁸ 2811732CJ	1			X				X	
	BELT ASSY. – Baroque red		(⁸ 2811732BT	1			X					
	BELT ASSY. – Turquoise mist		(⁸ 2811732BD	1			X					
	BELT ASSY. – Blue		(⁸ 2811732BE	1			X					
	BELT ASSY. – Olive green		(⁸ 2811732CE	1			X				X	
	BELT ASSY. – Venetian green		(⁸ 2811732BU	1			X					
	BELT ASSY. – Sandalwood		(⁸ 2811732BG	1			X					
	BELT ASSY. – Dark ash		(⁸ 2811732DD	1			X				X	
	BELT ASSY. – Chestnut		(⁸ 2811732DG	1			X				X	
	BELT ASSY. – Black		(¹⁷ 9934991BA	1			X				X	
	BELT ASSY. – Dark ash		(¹⁷ 9934991DD	1			X				X	
		BELT ASSY. – Chestnut		(¹⁷ 9934991DG	1			X				X
14.798	BELT – Front seat centre lap (Bench Seat) (Rainsford)											
	BELT ASSY. – Black		(⁸ 2815166BA	1			X				X	
	BELT ASSY. – Antique brown		(⁸ 2815166CJ	1			X				X	
	BELT ASSY. – Olive green		(⁸ 2815166CE	1			X				X	
	BELT ASSY. – Sandalwood		(⁸ 2815166BG	1			X					
	BELT ASSY. – Dark ash		(⁸ 2815166DD	1			X				X	
	BELT ASSY. – Chestnut		(⁸ 2815166DG	1			X				X	
	BELT ASSY. – Black		(¹⁸ 9934992BA	1			X				X	
	BELT ASSY. – Dark ash		(¹⁸ 9934992DD	1			X				X	
		BELT ASSY. – Chestnut		(¹⁸ 9934992DG	1			X				X
14.799	HOOK – Seat belt stowage											
	HOOK – Black		7438599BA	2			X		X	X	X	
	HOOK – Antique gold		7438599BB	2			X		X	X	X	
	HOOK – Antique saddle		7438599CA	2			X		X	X	X	
	HOOK – Baroque red		7438599BT	2			X		X	X	X	
	HOOK – Calypso red		7438599CB	2			X		X	X	X	
	HOOK – Turquoise mist		7438599BD	2			X		X	X	X	
	HOOK – Twilight blue		7438599BE	2			X		X	X	X	
	HOOK – Medium blue		7438599CD	2			X		X	X	X	
	HOOK – Olive green		7438599CE	2			X		X	X	X	
	HOOK – Venetian green		7438599BU	2			X		X	X	X	
	HOOK – Sandalwood		7438599BG	2			X		X	X	X	
	HOOK – Flax		7438599CG	2			X		X	X	X	
	HOOK – Antique brown		7438599CJ	2			X		X	X	X	
	HOOK – Cinnabar		7438599DA	2			X		X	X	X	
		HOOK – Indigo		7438599DB	2			X		X	X	
<p>Note: (⁸ Three manufacturers seat belts were used in production. It is desirable to replace with same type as initial equipment. Prior to ADR4A. Identification. Britax – Flat Section Buckle. Cooldrive – Centre section of buckle raised. Rainsford – Branded R.M.P. on back of buckle. (¹⁷ Cooldrive – Centre Section of Buckle raised – use with ADR4A. (¹⁸ Rainsford – Branded R.M.P. on back of buckle – use with ADR4A.</p>												

HOLDEN "LJ" PARTS CATALOGUE

GROUP	DESCRIPTION	SIDE	PART No.	QTY.	822		823		824/828		825	829
					11	11	69	11	69	69	11	
14.799	HOOK – Seat belt stowage (contd.)											
	HOOK – Ash		7438599DC	2			X		X	X		
	HOOK – Juniper		7438599DE	2			X		X	X		
	HOOK – Doeskin		7438599DF	2			X		X	X		
	HOOK – Chestnut		7438599DG	2			X		X	X		
	SCREW – Hook to centre pillar		7428243	2			X		X	X		
14.800	COVER – Front seat back (Bench Seat)											
	TRIM Nos. 40E, 40R		2822220BA	1			X				X	
	TRIM Nos. 41E, 41R		2822220CA	1			X				X	
	TRIM Nos. 41F		2822220BB	1			X				X	
	TRIM Nos. 42E, 42R		2822220CB	1			X				X	
	TRIM Nos. 42F		2822220BT	1			X				X	
	TRIM Nos. 43F		2822220BD	1			X				X	
	TRIM Nos. 44E, 44R		2822220CD	1			X				X	
	TRIM Nos. 44F		2822220BE	1			X				X	
	TRIM Nos. 46E, 46R		2822220CE	1			X				X	
	TRIM Nos. 47F		2822220BU	1			X				X	
	TRIM Nos. 48E, 48R		2822220CG	1			X				X	
	TRIM Nos. 48F		2822220BG	1			X				X	
	TRIM Nos. 49E, 49R		2822220CJ	1			X				X	
	TRIM Nos. 50E, 59R		2822220CY	1			X				X	
	TRIM Nos. 52E, 52R		2822220DA	1			X				X	
	TRIM Nos. 54E, 54R		2822220DB	1			X				X	
	TRIM Nos. 55E, 55R		2822220DC	1			X				X	
	TRIM Nos. 56E, 56R		2822220DE	1			X				X	
	TRIM Nos. 58E, 58F, 58R, 58S		2822220DF	1			X				X	
	TRIM Nos. 59E, 59R		2822220DG	1			X				X	
	TRIM Nos. 40T		2822221BA	1							X	
	TRIM Nos. 40U		2822221CN	1							X	
	TRIM Nos. 41T		2822221CX	1							X	
	TRIM Nos. 46S		2822221DN	1							X	
	TRIM Nos. 46T		2822221CE	1							X	
	TRIM Nos. 48U		2822221CG	1							X	
	TRIM Nos. 49T		2822221CZ	1							X	
	TRIM Nos. 50G, 50T		2822221CY	1							X	
	TRIM Nos. 50H, 50U		2822221DH	1							X	
	TRIM Nos. 54G, 54T		2822221DB	1							X	
	TRIM Nos. 55G, 55T		2822221DC	1							X	
	TRIM Nos. 56G, 56T		2822221DE	1							X	
	TRIM Nos. 58G, 58H, 58T, 58V		2822221DF	1							X	
	TRIM Nos. 59G, 59T		2822221DG	1							X	
14.800	COVER – Front seat back (Bucket seat)											
	TRIM Nos. 40A, 40D, 40E		2822216BA	2	X	X	X	X	X	X		
	TRIM Nos. 41A		2822216CK	2	X	X	X	X	X	X		
	TRIM Nos. 41C, 41F		2822216BB	2	X	X	X	X	X	X		
	TRIM Nos. 41D, 41E		2822216CA	2	X	X	X	X	X	X		
	TRIM Nos. 42A		2822216CL	2	X	X	X	X	X	X		
	TRIM Nos. 42B		2822216BW	2	X	X	X	X	X	X		
	TRIM Nos. 42C, 42F		2822216BT	2	X	X	X	X	X	X		
	TRIM Nos. 42D, 42E		2822216CB	2	X	X	X	X	X	X		
	TRIM Nos. 43C, 43F		2822216BD	2	X	X	X	X	X	X		
	TRIM Nos. 44C, 44F		2822216BE	2	X	X	X	X	X	X		
	TRIM Nos. 44D, 44E		2822216CD	2	X	X	X	X	X	X		
	TRIM Nos. 46D, 46E		2822216CE	2	X	X	X	X	X	X		
	TRIM Nos. 47C, 47F		2822216BU	2	X	X	X	X	X	X		
	TRIM Nos. 48C, 48F		2822216BG	2	X	X	X	X	X	X		
	TRIM Nos. 48D, 48E		2822216CG	2	X	X	X	X	X	X		
	TRIM Nos. 49A		2822216CM	2	X	X	X	X	X	X		
	TRIM Nos. 49D, 49E		2822216CJ	2	X	X	X	X	X	X		
	TRIM Nos. 50A, 50E, 59D		2822216CY	2	X	X	X	X	X	X		
	TRIM Nos. 52A		2822216DJ	2	X	X	X	X	X	X		

HOLDEN "LJ" PARTS CATALOGUE

GROUP	DESCRIPTION	SIDE	PART No.	QTY.	822		823		824/828		825	829
					11	11	69	11	69	69	11	
14.800	COVER – Front seat back (Bucket seat) (contd.)											
	TRIM Nos. 52D, 52E		2822216DA	2	X	X	X	X	X			
	TRIM Nos. 54A		2822216DK	2	X	X	X	X	X			
	TRIM Nos. 54D, 54E		2822216DB	2	X	X	X	X	X			
	TRIM Nos. 55A		2822216DL	2	X	X	X	X	X			
	TRIM Nos. 55D, 55E		2822216DC	2	X	X	X	X	X			
	TRIM Nos. 56D, 56E		2822216DE	2	X	X	X	X	X			
	TRIM Nos. 58C, 58D, 58E, 58F		2822216DF	2	X	X	X	X	X			
	TRIM Nos. 59A		2822216DM	2	X	X	X	X	X			
	TRIM Nos. 59D, 59E		2822216DG	2	X	X	X	X	X			
	TRIM Nos. 40R		2822218BA	2								X
	TRIM Nos. 41R		2822218CA	2								X
	TRIM Nos. 42R		2822218CB	2								X
	TRIM Nos. 44R		2822218CD	2								X
	TRIM Nos. 46R		2822218CE	2								X
	TRIM Nos. 48R		2822218CG	2								X
	TRIM Nos. 49R		2822218CJ	2								X
	TRIM Nos. 50R		2822218CY	2								X
	TRIM Nos. 52R		2822218DA	2								X
	TRIM Nos. 54R		2822218DB	2								X
	TRIM Nos. 55R		2822218DC	2								X
	TRIM Nos. 56R		2822218DE	2								X
	TRIM Nos. 58R, 58S		2822218DF	2								X
	TRIM Nos. 59R		2822218DG	2								X
	TRIM Nos. 40T		2822219BA	2								X
	TRIM Nos. 40U		2822219CN	2								X
	TRIM Nos. 41T		2822219CX	2								X
	TRIM Nos. 46S		2822219DN	2								X
	TRIM Nos. 46T		2822219CE	2								X
	TRIM Nos. 48U		2822219CG	2								X
	TRIM Nos. 49T		2822219CZ	2								X
	TRIM Nos. 50G, 50J, 50T		2822219CY	2								X
	TRIM Nos. 50H, 50K, 50U		2822219DH	2								X
	TRIM Nos. 54G, 54J, 54T		2822219DB	2								X
	TRIM Nos. 55G, 55J, 55T		2822219DC	2								X
	TRIM Nos. 56G, 56J, 56T		2822219DE	2								X
	TRIM Nos. 58G, 58H, 58J, 58K, 58T, 58V		2822219DF	2								X
	TRIM Nos. 59G, 59J, 59T		2822219DG	2								X
	TRIM Nos. 40X		2822222BA	2								X
	TRIM Nos. 41X		2822222CA	2								X
	TRIM Nos. 44X		2822222CD	2								X
	TRIM Nos. 46X		2822222CE	2								X
	TRIM Nos. 48X		2822222CG	2								X
	TRIM Nos. 49X		2822222CJ	2								X
	TRIM Nos. 50X		2822222CY	2								X
	TRIM Nos. 54X		2822222DB	2								X
	TRIM Nos. 55X		2822222DC	2								X
	TRIM Nos. 56X		2822222DE	2								X
	TRIM Nos. 58W, 58X		2822222DF	2								X
	TRIM Nos. 59X		2822222DG	2								X
	TRIM Nos. 40Y		2822223BA	2								X
	TRIM Nos. 40Z		2822223CP	2								X
	TRIM Nos. 41Y		2822223CA	2								X
	TRIM Nos. 44Y		2822223CD	2								X
	TRIM Nos. 46Y		2822223CE	2								X
	TRIM Nos. 48Y		2822223CG	2								X
	TRIM Nos. 49Y		2822223CJ	2								X
	TRIM Nos. 50Y		2822223CY	2								X
	TRIM Nos. 54Y		2822223DB	2								X
	TRIM Nos. 55Y		2822223DC	2								X
	TRIM Nos. 56Y		9934301DE	2								X
	TRIM Nos. 58Y, 58Z		9934301DF	2								X
	TRIM Nos. 59Y		9934301DG	2								X

HOLDEN "LJ" PARTS CATALOGUE

GROUP	DESCRIPTION	SIDE	PART No.	QTY.	822	823		824/828		825	829	
					11	11	69	11	69	69	11	
14.800	FASTENER – Front seat back trim											
	TRIM Nos. 40A, 40B, 40D, 40E, 40R, 40T, 40U, 40X, 40Y, 40Z		SP1838BA	18	X	X	X	X	X	X	X	X
	TRIM Nos. 41A, 41D, 41E, 41R, 41T, 41X, 41Y		SP1838CA	18	X	X	X	X	X	X	X	X
	TRIM Nos. 41C, 41F		SP1838BB	18	X	X	X	X	X	X	X	X
	TRIM Nos. 42A, 42D, 42E, 42R		SP1838CB	18	X	X	X	X	X	X	X	X
	TRIM Nos. 42B, 42C, 42F		SP1838BT	18	X	X	X	X	X	X	X	X
	TRIM Nos. 43C, 43F		SP1838BD	18	X	X	X	X	X	X	X	X
	TRIM Nos. 44C, 44F		SP1838BE	18	X	X	X	X	X	X	X	X
	TRIM Nos. 44D, 44E, 44R, 44X, 44Y		SP1838CD	18	X	X	X	X	X	X	X	X
	TRIM Nos. 46D, 46E, 46R, 46T, 46X, 46Y		SP1838CE	18	X	X	X	X	X	X	X	X
	TRIM Nos. 47C, 47F		SP1838BU	18	X	X	X	X	X	X	X	X
	TRIM Nos. 48C, 48F		SP1838BG	18	X	X	X	X	X	X	X	X
	TRIM Nos. 48D, 48E, 48R, 48U, 48X, 48Y		SP1838CG	18	X	X	X	X	X	X	X	X
	TRIM Nos. 49A, 49D, 49E, 49R, 49T, 49X, 49Y		SP1838CJ	18	X	X	X	X	X	X	X	X
	TRIM Nos. 52A, 52D, 52E, 52R		SP1838DA	18	X	X	X	X	X	X	X	X
	TRIM Nos. 54A, 54D, 54E, 54R, 54T, 54X, 54Y		SP1838DB	18	X	X	X	X	X	X	X	X
	TRIM Nos. 55A, 55D, 55E, 55R, 55T, 55X, 55Y		SP1838DC	18	X	X	X	X	X	X	X	X
	TRIM Nos. 56D, 56E, 56R, 56T, 56X, 56Y		SP1838DE	18	X	X	X	X	X	X	X	X
	TRIM Nos. 58D, 58E, 58R, 58T, 58X, 58Y		SP1838DF	18	X	X	X	X	X	X	X	X
	TRIM Nos. 59A, 59D, 59E, 59R, 59T, 59X, 59Y		SP1838DG	18	X	X	X	X	X	X	X	X
	14.800	BUTTON – Front seat back tufting										
TRIM Nos. 40T, 50G, 50J, 50T			2822799BA	8							X	
TRIM Nos. 40U, 48U			2822799CN	8							X	
TRIM Nos. 41T, 49T			2822799CA	8							X	
TRIM Nos. 46T			2822799CE	8							X	
TRIM Nos. 50U, 55T			2822799DC	8							X	
TRIM Nos. 54T			2822799DB	8							X	
TRIM Nos. 56T			2822799DE	8							X	
TRIM Nos. 58T, 59T		2822799DG	8							X		
14.802	PAD – Front seat back											
	PAD ASSEMBLY - (Bucket Seat)		2822697	2	X	X	X	X	X	X		
	PAD ASSEMBLY		2822282	2								X
	PAD - Spring (Bucket Seat)		2824238	2	X	X	X	X	X	X		X
14.850	GUARD – Front seat adjuster											
	GUARD - (Bench Seat)	L.H.	2809199	1			X				X	
		R.H.	7434922	1			X				X	
	GUARD - (Bucket Seat)	L.H.	7434923	1	X	X	X	X	X	X		X
		R.H.	7434922	1	X	X	X	X	X	X		X
14.880	COVER – Front seat cushion (Bench Seat)											
	TRIM Nos. 40E, 40R		2822211BA	1			X				X	
	TRIM Nos. 41E, 41R		2822211CA	1			X				X	
	TRIM Nos. 41F		2822211BB	1			X				X	
	TRIM Nos. 42E, 42R		2822211CB	1			X				X	
	TRIM Nos. 42F		2822211BT	1			X				X	
	TRIM Nos. 43F		2822211BD	1			X				X	
	TRIM Nos. 44E, 44R		2822211CD	1			X				X	
	TRIM Nos. 44F		2822211BE	1			X				X	
	TRIM Nos. 46E, 46R		2822211CE	1			X				X	
	TRIM Nos. 47F		2822211BU	1			X				X	
	TRIM Nos. 48E, 48R		2822211CG	1			X				X	
	TRIM Nos. 48F		2822211BG	1			X				X	
	TRIM Nos. 49E, 49R		2822211CJ	1			X				X	
	TRIM Nos. 50E, 50R		2822211CY	1			X				X	
	TRIM Nos. 52E, 52R		2822211DA	1			X				X	
TRIM Nos. 54E, 54R		2822211DB	1			X				X		
TRIM Nos. 55E, 55R		2822211DC	1			X				X		

HOLDEN "LJ" PARTS CATALOGUE

GROUP	DESCRIPTION	SIDE	PART No.	QTY.	822	823		824/828		825	829
					11	11	69	11	69	69	11
14.880	COVER – Front seat cushion (Bench Seat) (contd.)										
	TRIM Nos. 56E, 56R		2822211DE	1			X				X
	TRIM Nos. 58E, 58F, 58R, 58S		2822211DF	1			X				X
	TRIM Nos. 59E, 59R		2822211DG	1			X				X
	TRIM Nos. 40T		2822212BA	1			X				X
	TRIM Nos. 40U		2822212CN	1			X				X
	TRIM Nos. 41T		2822212CX	1			X				X
	TRIM Nos. 46S		2822212DN	1			X				X
	TRIM Nos. 46T		2822212CE	1			X				X
	TRIM Nos. 48U		2822212CG	1			X				X
	TRIM Nos. 49T		2822212CZ	1			X				X
	TRIM Nos. 50G, 50T		2822212CY	1			X				X
	TRIM Nos. 50H, 50U		2822212DH	1			X				X
	TRIM Nos. 54G, 54T		2822212DB	1			X				X
	TRIM Nos. 55G, 55T		2822212DC	1			X				X
	TRIM Nos. 56G, 56T		2822212DE	1			X				X
	TRIM Nos. 58G, 58H, 58T, 58V		2822212DF	1			X				X
	TRIM Nos. 59G, 59T,		2822212DG	1			X				X
14.880	COVER – Front seat cushion (Bucket seat)										
	TRIM Nos. 40A, 40D, 40E		2822207BA	2	X	X	X	X	X		
	TRIM Nos. 41C, 41F		2822207BB	2	X	X	X	X	X		
	TRIM Nos. 41D, 41E		2822207CA	2	X	X	X	X	X		
	TRIM Nos. 41A		2822207CK	2	X	X	X	X	X		
	TRIM Nos. 42A		2822207CL	2	X	X	X	X	X		
	TRIM Nos. 42B		2822207BW	2	X	X	X	X	X		
	TRIM Nos. 42C, 42F		2822207BT	2	X	X	X	X	X		
	TRIM Nos. 42D, 42E		2822207CB	2	X	X	X	X	X		
	TRIM Nos. 43C, 43F		2822207BD	2	X	X	X	X	X		
	TRIM Nos. 44C, 44F		2822207BE	2	X	X	X	X	X		
	TRIM Nos. 44D, 44E		2822207CD	2	X	X	X	X	X		
	TRIM Nos. 46D, 46E		2822207CE	2	X	X	X	X	X		
	TRIM Nos. 47C, 47F		2822207BU	2	X	X	X	X	X		
	TRIM Nos. 48C, 48F		2822207BG	2	X	X	X	X	X		
	TRIM Nos. 48D, 48E		2822207CG	2	X	X	X	X	X		
	TRIM Nos. 49A		2822207CM	2	X	X	X	X	X		
	TRIM Nos. 49D, 49E		2822207CJ	2	X	X	X	X	X		
	TRIM Nos. 50A, 50D, 50E		2822207CY	2	X	X	X	X	X		
	TRIM Nos. 52A		2822207DJ	2	X	X	X	X	X		
	TRIM Nos. 52D, 52E		2822207DA	2	X	X	X	X	X		
	TRIM Nos. 54A		2822207DK	2	X	X	X	X	X		
	TRIM Nos. 54D, 54E		2822207DB	2	X	X	X	X	X		
	TRIM Nos. 55A		2822207DL	2	X	X	X	X	X		
	TRIM Nos. 55D, 55E		2822207DC	2	X	X	X	X	X		
	TRIM Nos. 56D, 56E		2822207DE	2	X	X	X	X	X		
	TRIM Nos. 58C, 58D, 58E, 58F		2822207DF	2	X	X	X	X	X		
	TRIM Nos. 59A		2822207DM	2	X	X	X	X	X		
	TRIM Nos. 59D, 59E		2822207DG	2	X	X	X	X	X		
	TRIM Nos. 40R		2822209BA	2							X
	TRIM Nos. 41R		2822209CA	2							X
	TRIM Nos. 42R		2822209CB	2							X
	TRIM Nos. 44R		2822209CD	2							X
	TRIM Nos. 46R		2822209CE	2							X
	TRIM Nos. 48R		2822209CG	2							X
	TRIM Nos. 49R		2822209CJ	2							X
	TRIM Nos. 50R		2822209CY	2							X
	TRIM Nos. 52R		2822209DA	2							X
	TRIM Nos. 54R		2822209DB	2							X
	TRIM Nos. 55R		2822209DC	2							X
	TRIM Nos. 56R		2822209DE	2							X
	TRIM Nos. 58R, 58S		2822209DF	2							X
	TRIM Nos. 59R		2822209DG	2							X
	TRIM Nos. 40T		2822210BA	2			X		X		X

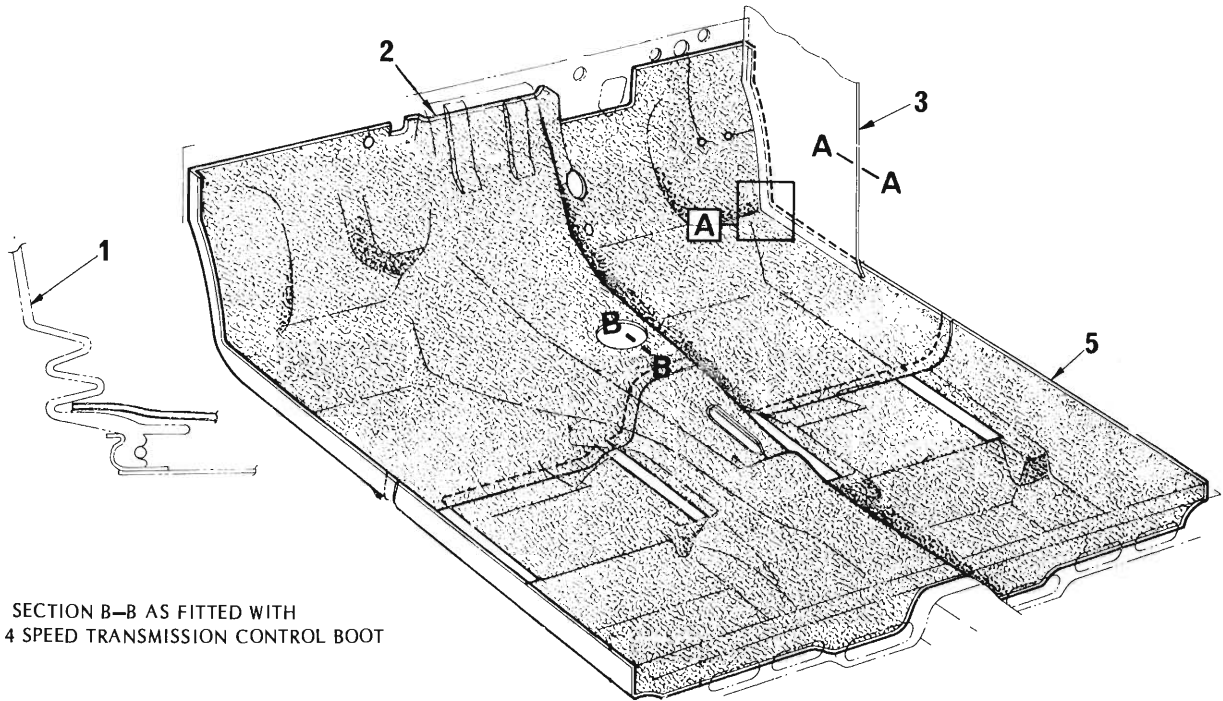
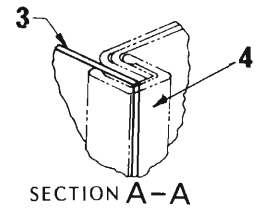
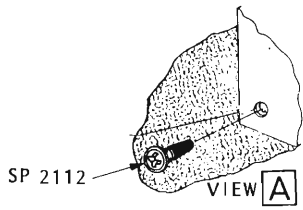
HOLDEN "LJ" PARTS CATALOGUE

GROUP	DESCRIPTION	SIDE	PART No.	QTY.	822		823		824/828		825		829	
					11	11	69	11	69	69	11			
14.880	COVER – Front seat cushion (Bucket seat) (contd.)													
	TRIM Nos. 40U		2822210CN	2			X		X	X				
	TRIM Nos. 41T		2822210CX	2			X		X	X				
	TRIM Nos. 46T		2822210CE	2			X		X	X				
	TRIM Nos. 48U		2822210CG	2			X		X	X				
	TRIM Nos. 49T		2822210CJ	2			X		X	X				
	TRIM Nos. 50G, 50J, 50T		2822210CY	2			X		X	X				
	TRIM Nos. 50H, 50K, 50U		2822210DH	2			X		X	X				
	TRIM Nos. 54G, 54J, 54T		2822210DB	2			X		X	X				
	TRIM Nos. 55G, 55J, 55T		2822210DC	2			X		X	X				
	TRIM Nos. 56G, 56J, 56T		2822210DE	2			X		X	X				
	TRIM Nos. 58G, 58H, 58J, 58K, 58T, 58V		2822210DF	2			X		X	X				
	TRIM Nos. 59G, 59J, 59T		2822210DG	2			X		X	X				
	TRIM Nos. 40X		2822213BA	2									X	
	TRIM Nos. 41X		2822213CA	2									X	
	TRIM Nos. 44X		2822213CD	2									X	
	TRIM Nos. 46X		2822213CE	2									X	
	TRIM Nos. 48X		2822213CG	2									X	
	TRIM Nos. 49X		2822213CJ	2									X	
	TRIM Nos. 50X		2822213CY	2									X	
	TRIM Nos. 54X		2822213DB	2									X	
	TRIM Nos. 55X		2822213DC	2									X	
	TRIM Nos. 56X		2822213DE	2									X	
	TRIM Nos. 58W, 58X		2822213DF	2									X	
	TRIM Nos. 59X		2822213DG	2									X	
	TRIM Nos. 40Y		2822214BA	2									X	
	TRIM Nos. 40Z		2822214CP	2									X	
	TRIM Nos. 41Y		2822214CA	2									X	
	TRIM Nos. 44Y		2822214CD	2									X	
	TRIM Nos. 46Y		2822214CE	2									X	
	TRIM Nos. 48Y		2822214CG	2									X	
	TRIM Nos. 49Y		2822214CJ	2									X	
	TRIM Nos. 50Y		9934300CY	2									X	
	TRIM Nos. 54Y		9934300DB	2									X	
	TRIM Nos. 55Y		2822214DC	2									X	
	TRIM Nos. 56Y		9934300DE	2									X	
	TRIM Nos. 58Y, 58Z		9934300DF	2									X	
	TRIM Nos. 59Y		2822214DG	2									X	
14.890	PAD – Front seat cushion													
	PAD ASSEMBLY - (Bench Seat)		2822865	1			X				X			
	PAD ASSEMBLY - (Bucket Seat)		2822006	2	X	X	X	X	X	X				
	PAD ASSEMBLY		2822115	2									X	
14.924	COVER – Front seat back head restraint													
	TRIM Nos. 40A, 40D, 40E, 40R, 40T, 40U, 40X, 40Y, 40Z		2820326BA	2	X	X	X	X	X	X	X	X	X	
	TRIM Nos. 41A, 41D, 41E, 41R, 41T, 41X, 41Y		2820326CA	2	X	X	X	X	X	X	X	X	X	
	TRIM Nos. 41C, 41F		2820326BB	2	X	X	X	X	X	X	X	X	X	
	TRIM Nos. 42A, 42D, 42E, 42R,		2820326CB	2	X	X	X	X	X	X	X	X	X	
	TRIM Nos. 42B, 42C, 42F		2820326BT	2	X	X	X	X	X	X	X	X	X	
	TRIM Nos. 43C, 43F		2820326BD	2	X	X	X	X	X	X	X	X	X	
	TRIM Nos. 44C, 44F		2820326BE	2	X	X	X	X	X	X	X	X	X	
	TRIM Nos. 44D, 44E, 44R, 44X, 44Y		2820326CD	2	X	X	X	X	X	X	X	X	X	
	TRIM Nos. 46D, 46E, 46R, 46T, 46X, 46Y		2820326CE	2	X	X	X	X	X	X	X	X	X	
	TRIM Nos. 47C, 47F		2820326BU	2	X	X	X	X	X	X	X	X	X	
	TRIM Nos. 48C, 48F		2820326BG	2	X	X	X	X	X	X	X	X	X	
	TRIM Nos. 48D, 48E, 48R, 48U, 48X, 48Y		2820326CG	2	X	X	X	X	X	X	X	X	X	
	TRIM Nos. 49A, 49D, 49E, 49R, 49T, 49X, 49Y		2820326CJ	2	X	X	X	X	X	X	X	X	X	
	TRIM Nos. 50A, 50D, 50E, 50R, 50T, 50U, 50X, 50Y		2820326CY	2	X	X	X	X	X	X	X	X	X	
	TRIM Nos. 52A, 52D, 52E, 52R		2820326DA	2	X	X	X	X	X	X	X	X	X	
	TRIM Nos. 54A, 54D, 54E, 54R, 54T, 54G, 54J, 54Y		2820326DB	2	X	X	X	X	X	X	X	X	X	

HOLDEN "LJ" PARTS CATALOGUE

GROUP	DESCRIPTION	SIDE	PART No.	QTY.	822	823	824/828	825	829	
					11	11	69	11	69	69
14.924	COVER – Front seat back head restraint (contd.)									
	TRIM Nos. 55A, 55D, 55E, 55G, 55J, 55R, 55T, 55X, 55Y		2820326DC	2	X	X	X	X	X	X
	TRIM Nos. 56D, 56E, 56G, 56J, 56R, 56T, 56X, 56Y		2820326DE	2	X	X	X	X	X	X
	TRIM Nos. 58C, 58D, 58E, 58F, 58G, 58H, 58J, 58K, 58R, 58S, 58T, 58V, 58W, 58X, 58Y		2820326DF	2	X	X	X	X	X	X
	TRIM Nos. 59A, 59D, 59E, 59G, 59J, 59R, 59T, 59X, 59Y		2820326DG	2	X	X	X	X	X	X
14.924	FASTENER – Front seat back head restraint cover									
	TRIM Nos. 40A, 40D, 40E, 40R, 40T, 40U, 40X, 40Y, 40Z, 50A, 50D, 50E, 50R, 50T, 50U, 50X, 50Y		SP1838BA	8	X	X	X	X	X	X
	TRIM Nos. 41A, 41D, 41E, 41R, 41T, 41X, 41Y		SP1838CA	8	X	X	X	X	X	X
	TRIM Nos. 41C, 41F		SP1838BB	8	X	X	X	X	X	X
	TRIM Nos. 42A, 42D, 42E, 42R		SP1838CB	8	X	X	X	X	X	X
	TRIM Nos. 42B, 42C, 42F		SP1838BT	8	X	X	X	X	X	X
	TRIM Nos. 43C, 43F		SP1838BD	8	X	X	X	X	X	X
	TRIM Nos. 44C, 44F		SP1838BE	8	X	X	X	X	X	X
	TRIM Nos. 44D, 44E, 44R, 44X, 44Y		SP1838CD	8	X	X	X	X	X	X
	TRIM Nos. 46D, 46E, 46R, 46T, 46X, 46Y		SP1838CE	8	X	X	X	X	X	X
	TRIM Nos. 48D, 48E, 48R, 48U, 48X, 48Y		SP1838CG	8	X	X	X	X	X	X
	TRIM Nos. 47C, 47F		SP1838BU	8	X	X	X	X	X	X
	TRIM Nos. 48C, 48F		SP1838BG	8	X	X	X	X	X	X
	TRIM Nos. 48D, 48E, 48R, 48U, 48X, 48Y		SP1838CG	8	X	X	X	X	X	X
	TRIM Nos. 49A, 49D, 49E, 49R, 49T, 49X, 49Y		SP1838CJ	8	X	X	X	X	X	X
	TRIM Nos. 52A, 52D, 52E, 52R		SP1838DA	8	X	X	X	X	X	X
	TRIM Nos. 54A, 54D, 54E, 54R, 54T, 54X, 54Y		SP1838DB	8	X	X	X	X	X	X
	TRIM Nos. 55A, 55D, 55E, 55R, 55T, 55X, 55Y		SP1838DC	8	X	X	X	X	X	X
	TRIM Nos. 56D, 56E, 56R, 56T, 56X, 56Y		SP1838DE	8	X	X	X	X	X	X
	TRIM Nos. 58D, 58E, 58R, 58T, 58X, 58Y		SP1838DF	8	X	X	X	X	X	X
	TRIM Nos. 59A, 59D, 59E, 59R, 59T, 59X, 59Y		SP1838DG	8	X	X	X	X	X	X
	14.924	RETAINER – Front seat back head restraint cover								
		RETAINER - Cover		2820160	2	X	X	X	X	X
	14.925	PAD – Front seat head restraint								
		PAD ASSY.		2816980	2	X	X	X	X	X
	14.998	BACK – Rear seat CURRENT PRODUCTION REAR SEAT BACK ASSEMBLIES WILL BE SUPPLIED IN CURRENT PRODUCTION TRIM ON A FIRM ORDER BASIS.								

NOTES



FLOOR MATS and CARPET

ILLUS. REF. NO.	PART NAME	GROUP
1.	BOOT - Gearshift lever	4.015
2.	MAT/CARPET - Front floor	15.286
3.	TRIM - Cowl side panel	14.630
4.	WINDLACE - Door opening	15.520
5.	MAT/CARPET - Rear floor	15.286

HOLDEN "LJ" PARTS CATALOGUE

GROUP	DESCRIPTION	SIDE	PART No.	QTY.	822	823		824/828		825	829
					11	11	69	11	69	69	11
15.000	COVER – Rear seat back										
	TRIM Nos. 40A		2822247BA	1	X						
	TRIM Nos. 41A		2822247CK	1	X						
	TRIM Nos. 42A		2822247CL	1	X						
	TRIM Nos. 42B		2822247BW	1	X						
	TRIM Nos. 49A		2822247CM	1	X						
	TRIM Nos. 40E		(⁶ 2822247BA	1		X	X				
	TRIM Nos. 41E		(⁶ 2822247CA	1		X	X				
	TRIM Nos. 41F		(⁶ 2822247BB	1		X	X				
	TRIM Nos. 42E		(⁶ 2822247CB	1		X	X				
	TRIM Nos. 42F		(⁶ 2822247BT	1		X	X				
	TRIM Nos. 43F		(⁶ 2822247BD	1		X	X				
	TRIM Nos. 44E		(⁶ 2822247CD	1		X	X				
	TRIM Nos. 44F		(⁶ 2822247BE	1		X	X				
	TRIM Nos. 46E		(⁶ 2822247CE	1		X	X				
	TRIM Nos. 47F		(⁶ 2822247BU	1		X	X				
	TRIM Nos. 48E		(⁶ 2822247CG	1		X	X				
	TRIM Nos. 48F		(⁶ 2822247BG	1		X	X				
	TRIM Nos. 49E		(⁶ 2822247CJ	1		X	X				
	TRIM Nos. 50A		2822247CY	1	X						
	TRIM Nos. 52A		2822247DJ	1	X						
	TRIM Nos. 54A		2822247DK	1	X						
	TRIM Nos. 55A		2822247DL	1	X						
	TRIM Nos. 59A		2822247DM	1	X						
	TRIM Nos. 50E		(⁶ 2822247CY	1		X	X				
	TRIM Nos. 52E		(⁶ 2822247DA	1		X	X				
	TRIM Nos. 54E		(⁶ 2822247DB	1		X	X				
	TRIM Nos. 55E		(⁶ 2822247DC	1		X	X				
	TRIM Nos. 56E		(⁶ 2822247DE	1		X	X				
	TRIM Nos. 58E, 58F		(⁶ 2822247DF	1		X	X				
	TRIM Nos. 59E		(⁶ 2822247DG	1		X	X				
	TRIM Nos. 40E, 40R		(⁷ 2822248BA	1			X				
	TRIM Nos. 41E, 41R		(⁷ 2822248CA	1			X				
	TRIM Nos. 41F		(⁷ 2822248BB	1			X				
	TRIM Nos. 42E, 42R		(⁷ 2822248CB	1			X				
	TRIM Nos. 42F		(⁷ 2822248BT	1			X				
	TRIM Nos. 43F		(⁷ 2822248BD	1			X				
	TRIM Nos. 44E, 44R		(⁷ 2822248CD	1			X				
	TRIM Nos. 44F		(⁷ 2822248BE	1			X				
	TRIM Nos. 46E, 46R		(⁷ 2822248CE	1			X				
	TRIM Nos. 47F		(⁷ 2822248BU	1			X				
	TRIM Nos. 48E, 48R		(⁷ 2822248CG	1			X				
	TRIM Nos. 48F		(⁷ 2822248BG	1			X				
	TRIM Nos. 49E, 49R		(⁷ 2822248CJ	1			X				
	TRIM Nos. 50E		(⁷ 2822248CY	1			X				
	TRIM Nos. 52E		(⁷ 2822248DA	1			X				
	TRIM Nos. 54E		(⁷ 2822248DB	1			X				
	TRIM Nos. 55E		(⁷ 2822248DC	1			X				
TRIM Nos. 56E		(⁷ 2822248DE	1			X					
TRIM Nos. 58E, 58F, 58S		(⁷ 2822248DF	1			X					
TRIM Nos. 59E		(⁷ 2822248DG	1			X					
TRIM Nos. 40D		2822688BA	1				X	X			
TRIM Nos. 41C		2822688BB	1				X	X			
TRIM Nos. 41D		2822688CA	1				X	X			
TRIM Nos. 42C		2822688BT	1				X	X			
TRIM Nos. 42D		2822688CB	1				X	X			
TRIM Nos. 43C		2822688BD	1				X	X			
TRIM Nos. 44C		2822688BE	1				X	X			
TRIM Nos. 44D		2822688CD	1				X	X			
TRIM Nos. 46D		2822688CE	1				X	X			
TRIM Nos. 47C		2822688BU	1				X	X			
TRIM Nos. 48C		2822688BG	1				X	X			

Note: (⁶ Use with front bucket seat.
(⁷ Use with Front Bench Seat.

HOLDEN "LJ" PARTS CATALOGUE

GROUP	DESCRIPTION	SIDE	PART No.	QTY.	822		823		824/828		825		829	
					11	11	69	69	11	69	69	11		
15.000	COVER – Rear seat back (contd.)													
	TRIM Nos. 48D		2822688CG	1					X	X				
	TRIM Nos. 49D		2822688CJ	1					X	X				
	TRIM Nos. 50D		2822688CY	1					X	X				
	TRIM Nos. 52D		2822688DA	1					X	X				
	TRIM Nos. 54D		2822688DB	1					X	X				
	TRIM Nos. 55D		2822688DC	1					X	X				
	TRIM Nos. 56D		2822688DE	1					X	X				
	TRIM Nos. 58C, 58D		2822688DF	1					X	X				
	TRIM Nos. 59D		2822688DG	1					X	X				
	TRIM Nos. 40R		2822248BA	1								X		
	TRIM Nos. 41R		2822248CA	1								X		
	TRIM Nos. 42R		2822248CB	1								X		
	TRIM Nos. 44R		2822248CD	1								X		
	TRIM Nos. 46R		2822248CE	1								X		
	TRIM Nos. 48R		2822248CG	1								X		
	TRIM Nos. 49R		2822248CJ	1								X		
	TRIM Nos. 50R		2822248CY	1								X		
	TRIM Nos. 52R		2822248DA	1								X		
	TRIM Nos. 54R		2822248DB	1								X		
	TRIM Nos. 55R		2822248DC	1								X		
	TRIM Nos. 56R		2822248DE	1								X		
	TRIM Nos. 58R		2822248DF	1								X		
	TRIM Nos. 59R		2822248DG	1								X		
	TRIM Nos. 40T		2822249BA	1								X		
	TRIM Nos. 40U		2822249CN	1								X		
	TRIM Nos. 41T		2822249CX	1								X		
	TRIM Nos. 46S		2822249DN	1								X		
	TRIM Nos. 46T		2822249CE	1								X		
	TRIM Nos. 48T, 48U		2822249CG	1								X		
	TRIM Nos. 49T		2822249CZ	1								X		
	TRIM Nos. 50G, 50J, 50T		2822249CY	1								X		
	TRIM Nos. 50H, 50K, 50U		2822249DH	1								X		
	TRIM Nos. 54G, 54J, 54T		2822249DB	1								X		
	TRIM Nos. 55G, 55J, 55T		2822249DC	1								X		
	TRIM Nos. 56G, 56J, 56T		2822249DE	1								X		
	TRIM Nos. 58G, 58H, 58J, 58K, 58T, 58V		2822249DF	1								X		
	TRIM Nos. 59G, 59J, 59T		2822249DG	1								X		
	TRIM Nos. 40X		2822250BA	1									X	
	TRIM Nos. 41X		2822250CA	1									X	
	TRIM Nos. 44X		2822250CD	1									X	
	TRIM Nos. 46X		2822250CE	1									X	
	TRIM Nos. 48X		2822250CG	1									X	
	TRIM Nos. 49X		2822250CJ	1									X	
	TRIM Nos. 50X		2822250CY	1									X	
	TRIM Nos. 54X		2822250DB	1									X	
	TRIM Nos. 55X		2822250DC	1									X	
	TRIM Nos. 56X		2822250DE	1									X	
	TRIM Nos. 58W, 58X		2822250DF	1									X	
	TRIM Nos. 59X		2822250DG	1									X	
	TRIM Nos. 40Y		9934303BA	1									X	
	TRIM Nos. 40Z		9934303CP	1									X	
	TRIM Nos. 41Y		9934303CA	1									X	
	TRIM Nos. 44Y		9934303CD	1									X	
	TRIM Nos. 46Y		9934303CE	1									X	
	TRIM Nos. 48Y		9934303CG	1									X	
	TRIM Nos. 49Y		9934303CJ	1									X	
	TRIM Nos. 50Y		9934303CY	1									X	
	TRIM Nos. 54Y		9934303DB	1									X	
	TRIM Nos. 55Y		9934303DC	1									X	
	TRIM Nos. 56Y		9934303DE	1									X	
	TRIM Nos. 58Y		9934303DF	1									X	
	TRIM Nos. 59Y		9934303DG	1									X	

HOLDEN "LJ" PARTS CATALOGUE

GROUP	DESCRIPTION	SIDE	PART No.	QTY.	822	823		824/828		825	829	
					11	11	69	11	69	69	11	
15.000	BUTTON ASSEMBLY – Front seat back tufting											
	TRIM Nos. 40T		2822799BA	8							X	
	TRIM Nos. 40U, 48U		2822799CN	8							X	
	TRIM Nos. 41T, 49T		2822799CA	8							X	
	TRIM Nos. 46T		2822799CE	8							X	
	TRIM Nos. 50T		2822799CY	8							X	
	TRIM Nos. 50U, 55T		2822799DC	8							X	
	TRIM Nos. 54T		2822799DB	8							X	
	TRIM Nos. 56T		2822799DE	8							X	
	TRIM Nos. 58T, 59T		2822799DG	8							X	
	15.002	PAD – Rear seat back										
PAD ASSEMBLY			2809646	1	X	X						
PAD ASSEMBLY			(⁶ 2809646	1			X					
PAD ASSEMBLY			(⁷ 2822729	1			X					
PAD ASSEMBLY			2822689	1				X	X			
PAD ASSEMBLY			2822729	1						X		
15.024	PANEL – Package tray											
	PANEL – Black		2806244BA	1	X	X	X	X	X	X	X	
	PANEL – Antique brown		2806244CJ	1	X	X	X	X	X	X	X	
	PANEL – Antique gold		2806244BB	1	X	X	X	X	X	X	X	
	PANEL – Baroque red		2806244BT	1	X	X	X	X	X	X	X	
	PANEL – Turquoise mist		2806244BD	1	X	X	X	X	X	X	X	
	PANEL – Twilight blue		2806244BE	1	X	X	X	X	X	X	X	
	PANEL – Olive green		2806244CE	1	X	X	X	X	X	X	X	
	PANEL – Venetian green		2806244BU	1	X	X	X	X	X	X	X	
	PANEL – Dark sandalwood		2806244BH	1	X	X	X	X	X	X	X	
	PANEL – Ash		2806244DD	1	X	X	X	X	X	X	X	
	PANEL – Chestnut		2806244DG	1	X	X	X	X	X	X	X	
	15.024	FASTENERS – Package tray trim										
		FASTENER – Black		SP1838BA	4	X	X	X	X	X	X	X
FASTENER – Antique brown			SP1838CJ	4	X	X	X	X	X	X	X	
FASTENER – Antique gold			SP1838BB	4	X	X	X	X	X	X	X	
FASTENER – Baroque red			SP1838BT	4	X	X	X	X	X	X	X	
FASTENER – Turquoise mist			SP1838BD	4	X	X	X	X	X	X	X	
FASTENER – Twilight blue			SP1838BE	4	X	X	X	X	X	X	X	
FASTENER – Olive green			SP1838CE	4	X	X	X	X	X	X	X	
FASTENER – Venetian green			SP1838BU	4	X	X	X	X	X	X	X	
FASTENER – Dark sandalwood			SP1838BH	4	X	X	X	X	X	X	X	
FASTENER – Ash			SP1838DD	4	X	X	X	X	X	X	X	
FASTENER – Chestnut			SP1838DG	4	X	X	X	X	X	X	X	
15.033		CUSHION – Rear seat										
CURRENT PRODUCTION REAR SEAT CUSHION ASSEMBLIES WILL BE SUPPLIED IN CURRENT PRODUCTION TRIM ON A FIRM ORDER BASIS.												
15.035	COVER – Rear seat cushion											
	TRIM Nos. 40A		2822233BA	1	X							
	TRIM Nos. 41A		2822233CK	1	X							
	TRIM Nos. 42A		2822233CL	1	X							
	TRIM Nos. 42B		2822233BW	1	X							
	TRIM Nos. 49A		2822233CM	1	X							
	TRIM Nos. 40E		2822233BA	1			X					
	TRIM Nos. 41E		2822233CA	1			X					
Note: (⁶ Use with front bucket seat. (⁷ Use with Front Bench Seat.												

HOLDEN "LJ" PARTS CATALOGUE

GROUP	DESCRIPTION	SIDE	PART No.	QTY.	822	823		824/828		825	829
					11	11	69	11	69	69	11
15.035	COVER – Rear seat cushion (contd.)										
	TRIM Nos. 41F		2822233BB	1		X					
	TRIM Nos. 42E		2822233CB	1		X					
	TRIM Nos. 42F		2822233BT	1		X					
	TRIM Nos. 43E		2822233BD	1		X					
	TRIM Nos. 44E		2822233CD	1		X					
	TRIM Nos. 44F		2822233BE	1		X					
	TRIM Nos. 46E		2822233CE	1		X					
	TRIM Nos. 47F		2822233BU	1		X					
	TRIM Nos. 48E		2822233CG	1		X					
	TRIM Nos. 48F		2822233BG	1		X					
	TRIM Nos. 49E		2822233CJ	1		X					
	TRIM Nos 50A		2822233CY	1	X						
	TRIM Nos. 52A		2822233DJ	1	X						
	TRIM Nos. 54A		2822233DK	1	X						
	TRIM Nos. 55A		2822233DL	1	X						
	TRIM Nos. 59A		2822233DM	1	X						
	TRIM Nos. 50E		2822233CY	1		X					
	TRIM Nos. 52E		2822233DA	1		X					
	TRIM Nos. 54E		2822233DB	1		X					
	TRIM Nos. 55E		2822233DC	1		X					
	TRIM Nos. 56E		2822233DE	1		X					
	TRIM Nos. 58E, 58F		2822233DF	1		X					
	TRIM Nos. 59E		2822233DG	1		X					
	TRIM Nos. 40E		⁶ 2822234BA	1			X				
	TRIM Nos. 41E		⁶ 2822234CA	1			X				
	TRIM Nos. 41F		⁶ 2822234BB	1			X				
	TRIM Nos. 42E		⁶ 2822234CB	1			X				
	TRIM Nos. 42F		⁶ 2822234BT	1			X				
	TRIM Nos. 43F		⁶ 2822234BD	1			X				
	TRIM Nos. 44E		⁶ 2822234CD	1			X				
	TRIM Nos. 44F		⁶ 2822234BE	1			X				
	TRIM Nos. 46E		⁶ 2822234CE	1			X				
	TRIM Nos. 47F		⁶ 2822234BU	1			X				
	TRIM Nos. 48E		⁶ 2822234CG	1			X				
	TRIM Nos. 48F		⁶ 2822234BG	1			X				
	TRIM Nos. 49E		⁶ 2822234CJ	1			X				
	TRIM Nos. 50E		⁶ 2822234CY	1			X				
	TRIM Nos. 52E		⁶ 2822234DA	1			X				
	TRIM Nos. 54E		⁶ 2822234DB	1			X				
	TRIM Nos. 55E		⁶ 2822234DC	1			X				
	TRIM Nos. 56E		⁶ 2822234DE	1			X				
	TRIM Nos. 58E, 58F		⁶ 2822234DF	1			X				
	TRIM Nos. 59E		⁶ 2822234DG	1			X				
	TRIM Nos. 40E		⁷ 2822235BA	1			X				
	TRIM Nos. 41E		⁷ 2822235CA	1			X				
	TRIM Nos. 41F		⁷ 2822235BB	1			X				
	TRIM Nos. 42E		⁷ 2822235CB	1			X				
	TRIM Nos. 42F		⁷ 2822235BT	1			X				
	TRIM Nos. 43F		⁷ 2822235BD	1			X				
	TRIM Nos. 44E		⁷ 2822235CD	1			X				
	TRIM Nos. 44F		⁷ 2822235BE	1			X				
	TRIM Nos. 46E		⁷ 2822235CE	1			X				
	TRIM Nos. 47F		⁷ 2822235BU	1			X				
	TRIM Nos. 48E		⁷ 2822235CG	1			X				
	TRIM Nos. 48F		⁷ 2822235BG	1			X				
	TRIM Nos. 49E		⁷ 2822235CJ	1			X				
	TRIM Nos. 50E		⁷ 2822235CY	1			X				
	TRIM Nos. 52E		⁷ 2822235DA	1			X				
	TRIM Nos. 54E		⁷ 2822235DB	1			X				
	TRIM Nos. 55E		⁷ 2822235DC	1			X				
	TRIM Nos. 56E		⁷ 2822235DE	1			X				

Note: (⁶ Use with front bucket seat.
(⁷ Use with Front Bench Seat.

HOLDEN "LJ" PARTS CATALOGUE

GROUP	DESCRIPTION	SIDE	PART No.	QTY.	822		823		824/828		825		829	
					11	11	69	11	69	69	11	11	69	11
15.035	COVER – Rear seat cushion (contd.)													
	TRIM Nos. 58E, 58F, 58R, 58S		(⁷ 2822235DF	1				X						
	TRIM Nos. 59E		(⁷ 2822235DG	1				X						
	TRIM Nos. 40D		2822684BA	1					X					
	TRIM Nos. 41C		2822684BB	1					X					
	TRIM Nos. 41D		2822684CA	1					X					
	TRIM Nos. 42C		2822684BT	1					X					
	TRIM Nos. 42D		2822684CB	1					X					
	TRIM Nos. 43C		2822684BD	1					X					
	TRIM Nos. 44C		2822684BE	1					X					
	TRIM Nos. 44D		2822684CD	1					X					
	TRIM Nos. 46D		2822684CE	1					X					
	TRIM Nos. 47C		2822684BU	1					X					
	TRIM Nos. 48C		2822684BG	1					X					
	TRIM Nos. 48D		2822684CG	1					X					
	TRIM Nos. 49D		2822684CJ	1					X					
	TRIM Nos. 50D		2822684CY	1					X					
	TRIM Nos. 52D		2822684DA	1					X					
	TRIM Nos. 54D		2822684DB	1					X					
	TRIM Nos. 55D		2822684DC	1					X					
	TRIM Nos. 56D		2822684DE	1					X					
	TRIM Nos. 58D		2822684DF	1					X					
	TRIM Nos. 59D		2822684DG	1					X					
	TRIM Nos. 40D		2822685BA	1								X		
	TRIM Nos. 41C		2822685BB	1								X		
	TRIM Nos. 41D		2822685CA	1								X		
	TRIM Nos. 42C		2822685BT	1								X		
	TRIM Nos. 42D		2822685CB	1								X		
	TRIM Nos. 43C		2822685BD	1								X		
	TRIM Nos. 44C		2822685BE	1								X		
	TRIM Nos. 44D		2822685CD	1								X		
	TRIM Nos. 46D		2822685CE	1								X		
	TRIM Nos. 47C		2822685BU	1								X		
	TRIM Nos. 48C		2822685BG	1								X		
	TRIM Nos. 48D		2822685CG	1								X		
	TRIM Nos. 49D		2822685CJ	1								X		
	TRIM Nos. 50D		2822685CY	1								X		
	TRIM Nos. 52D		2822685DA	1								X		
	TRIM Nos. 54D		2822685DB	1								X		
	TRIM Nos. 55D		2822685DC	1								X		
	TRIM Nos. 56D		2822685DE	1								X		
	TRIM Nos. 58C, 58D		2822685DF	1								X		
	TRIM Nos. 59D		2822685DG	1								X		
	TRIM Nos. 40R		2822235BA	1									X	
	TRIM Nos. 41R		2822235CA	1									X	
	TRIM Nos. 42R		2822235CB	1									X	
	TRIM Nos. 44R		2822235CD	1									X	
	TRIM Nos. 46R		2822235CE	1									X	
	TRIM Nos. 48R		2822235CG	1									X	
	TRIM Nos. 49R		2822235CJ	1									X	
	TRIM Nos. 50R		2822235CY	1									X	
	TRIM Nos. 52R		2822235DA	1									X	
	TRIM Nos. 54R		2822235DB	1									X	
	TRIM Nos. 55R		2822235DC	1									X	
	TRIM Nos. 56R		2822235DE	1									X	
	TRIM Nos. 58R		2822235DF	1									X	
	TRIM Nos. 59R		2822235DG	1									X	
	TRIM Nos. 40T, 40U		2822236BA	1									X	
	TRIM Nos. 40V		2822236CN	1									X	
	TRIM Nos. 41T		2822236CX	1									X	
	TRIM Nos. 46S		2822236DN	1									X	
	TRIM Nos. 46T		2822236CE	1									X	
	TRIM Nos. 48U		2822236CG	1									X	
	Note: (⁷ Use with Front Bench Seat.													

HOLDEN "LJ" PARTS CATALOGUE

GROUP	DESCRIPTION	SIDE	PART No.	QTY.	822		823		824/828		825		829	
					11	11	69	11	69	69	11			
15.035	COVER – Rear seat cushion (contd.)													
	TRIM Nos. 49T		2822236CZ	1								X		
	TRIM Nos. 50G, 50J, 50T		2822236CY	1								X		
	TRIM Nos. 50H, 50K, 50U		2822236DH	1								X		
	TRIM Nos. 54G, 54J, 54T		2822236DB	1								X		
	TRIM Nos. 55G, 55J, 55T		2822236DC	1								X		
	TRIM Nos. 56G, 56J, 56T		2822236DE	1								X		
	TRIM Nos. 58G, 58H, 58J, 58K, 58T, 58V		2822236DF	1								X		
	TRIM Nos. 59G, 59J, 59T		2822236DG	1								X		
	TRIM Nos. 40X		2822237BA	1										X
	TRIM Nos. 41X		2822237CA	1										X
	TRIM Nos. 44X		2822237CD	1										X
	TRIM Nos. 46X		2822237CE	1										X
	TRIM Nos. 48X		2822237CG	1										X
	TRIM Nos. 49X		2822237CJ	1										X
	TRIM Nos. 50X		2822237CY	1										X
	TRIM Nos. 54X		2822237DB	1										X
	TRIM Nos. 55X		2822237DC	1										X
	TRIM Nos. 56X		2822237DE	1										X
	TRIM Nos. 58X, 58W		2822237DF	1										X
	TRIM Nos. 59X		2822237DG	1										X
	TRIM Nos. 40Y		2822238BA	1										X
	TRIM Nos. 40Z		2822238CP	1										X
	TRIM Nos. 41Y		2822238CA	1										X
	TRIM Nos. 44Y		2822238CD	1										X
	TRIM Nos. 46Y		2822238CE	1										X
	TRIM Nos. 48Y		2822238CG	1										X
	TRIM Nos. 49Y		2822238CJ	1										X
	TRIM Nos. 50Y		9934302CY	1										X
	TRIM Nos. 54Y		9934302DB	1										X
	TRIM Nos. 55Y		9934302DC	1										X
	TRIM Nos. 56Y		9934302DE	1										X
	TRIM Nos. 58Y		9934302DF	1										X
	TRIM Nos. 59Y		9934302DG	1										X
15.036	PAD – Rear seat cushion													
	PAD ASSEMBLY		2809866	1	X	X								
	PAD ASSEMBLY		(⁶ 2809865	1			X							
	PAD ASSEMBLY		(⁷ 2822706	1			X							
	PAD ASSEMBLY		2822707	1				X						
	PAD ASSEMBLY		2822706	1					X	X				
	PAD ASSEMBLY		2822267	1										X
	PAD – Cushion spring		7414105	1	X	X	X	X	X	X	X	X	X	X
15.040	BELT – Rear seat lap and shoulder (Britax)													
	BELT ASSY. – Black		(⁶ 2811950BA	2	X	X	X	X	X	X	X	X	X	X
	BELT ASSY. – Antique brown		(⁶ 2811950CJ	2	X	X	X	X	X	X	X	X	X	X
	BELT ASSY. – Antique gold		(⁶ 2811950BB	2	X	X	X	X	X	X	X	X	X	X
	BELT ASSY. – Baroque red		(⁶ 2811950BT	2	X	X	X	X	X	X	X	X	X	X
	BELT ASSY. – Turquoise mist		(⁶ 2811950BD	2	X	X	X	X	X	X	X	X	X	X
	BELT ASSY. – Twilight blue		(⁶ 2811950BE	2	X	X	X	X	X	X	X	X	X	X
	BELT ASSY. – Olive green		(⁶ 2811950CE	2	X	X	X	X	X	X	X	X	X	X
	BELT ASSY. – Venetian green		(⁶ 2811950BU	2	X	X	X	X	X	X	X	X	X	X
	BELT ASSY. – Sandalwood		(⁶ 2811950BG	2	X	X	X	X	X	X	X	X	X	X
Note: (⁶ Use with front bucket seat.														
(⁷ Use with Front Bench Seat.														
(⁸ Three manufacturers seat belts were used in production. It is desirable to replace with same type as initial equipment. Prior to ADR4A. Identification. Britax – Flat Section Buckle.														
Cooldrive – Centre section of buckle raised.														
Rainsford – Branded R.M.P. on back of buckle.														

HOLDEN "LJ" PARTS CATALOGUE

GROUP	DESCRIPTION	SIDE	PART No.	QTY.	822		823		824/828		825		829	
					11	11	69	11	69	69	11			
15.040	BELT – Rear seat lap & shoulder (Cooldrive)													
		BELT ASSY. – Black		(⁸ 2811949BA)	2	X	X	X	X	X	X	X	X	X
		BELT ASSY. – Antique brown		(⁸ 2811949CJ)	2	X	X	X	X	X	X	X	X	X
		BELT ASSY. – Antique gold		(⁸ 2811949BB)	2	X	X	X	X	X	X	X	X	X
		BELT ASSY. – Baroque red		(⁸ 2811949BT)	2	X	X	X	X	X	X	X	X	X
		BELT ASSY. – Turquoise mist		(⁸ 2811949BD)	2	X	X	X	X	X	X	X	X	X
		BELT ASSY. – Olive green		(⁸ 2811949CE)	2	X	X	X	X	X	X	X	X	X
		BELT ASSY. – Dark ash		(⁸ 2811949DD)	2	X	X	X	X	X	X	X	X	X
		BELT ASSY. – Chestnut		(⁸ 2811949DG)	2	X	X	X	X	X	X	X	X	X
		BELT ASSY. – Black		(¹⁷ 9934989BA)	2	X	X	X	X	X	X	X	X	X
		BELT ASSY. – Dark ash		(¹⁷ 9934989DD)	2	X	X	X	X	X	X	X	X	X
		BELT ASSY. – Chestnut		(¹⁷ 9934989DG)	2	X	X	X	X	X	X	X	X	X
15.040	BELT – Rear seat lap & shoulder (Rainsford)													
		BELT ASSY. – Black		(⁸ 2815171BA)	2	X	X	X	X	X	X	X	X	X
		BELT ASSY. – Antique brown		(⁸ 2815171CJ)	2	X	X	X	X	X	X	X	X	X
		BELT ASSY. – Antique gold		(⁸ 2815171BB)	2	X	X	X	X	X	X	X	X	X
		BELT ASSY. – Baroque red		(⁸ 2815171BT)	2	X	X	X	X	X	X	X	X	X
		BELT ASSY. – Turquoise mist		(⁸ 2815171BD)	2	X	X	X	X	X	X	X	X	X
		BELT ASSY. – Twilight blue		(⁸ 2815171BE)	2	X	X	X	X	X	X	X	X	X
		BELT ASSY. – Olive green		(⁸ 2815171CE)	2	X	X	X	X	X	X	X	X	X
		BELT ASSY. – Venetian green		(⁸ 2815171BU)	2	X	X	X	X	X	X	X	X	X
		BELT ASSY. – Sandalwood		(⁸ 2815171BG)	2	X	X	X	X	X	X	X	X	X
		BELT ASSY. – Dark ash		(⁸ 2815171DD)	2	X	X	X	X	X	X	X	X	X
		BELT ASSY. – Chestnut		(⁸ 2815171DG)	2	X	X	X	X	X	X	X	X	X
15.040	BELT – Rear seat lap and sash (Rainsford-Mini buckle)													
		BELT ASSY. – Black		(¹⁶ 9931586BA)	2	X	X	X	X	X	X	X	X	X
		BELT ASSY. – Antique brown		(¹⁶ 9931586CJ)	2	X	X	X	X	X	X	X	X	X
		BELT ASSY. – Antique gold		(¹⁶ 9931586BB)	2	X	X	X	X	X	X	X	X	X
		BELT ASSY. – Baroque red		(¹⁶ 9931586BT)	2	X	X	X	X	X	X	X	X	X
		BELT ASSY. – Turquoise mist		(¹⁶ 9931586BD)	2	X	X	X	X	X	X	X	X	X
		BELT ASSY. – Twilight blue		(¹⁶ 9931586BE)	2	X	X	X	X	X	X	X	X	X
		BELT ASSY. – Olive green		(¹⁶ 9931586CE)	2	X	X	X	X	X	X	X	X	X
		BELT ASSY. – Venetian green		(¹⁶ 9931586BU)	2	X	X	X	X	X	X	X	X	X
		BELT ASSY. – Sandalwood		(¹⁶ 9931586BG)	2	X	X	X	X	X	X	X	X	X
		BELT ASSY. – Dark ash		(¹⁶ 9931586DD)	2	X	X	X	X	X	X	X	X	X
		BELT ASSY. – Chestnut		(¹⁶ 9931586DG)	2	X	X	X	X	X	X	X	X	X
		BELT ASSY. – Black		(¹⁸ 9934990BA)	2	X	X	X	X	X	X	X	X	X
		BELT ASSY. – Dark ash		(¹⁸ 9934990DD)	2	X	X	X	X	X	X	X	X	X
	BELT ASSY. – Chestnut		(¹⁸ 9934990DG)	2	X	X	X	X	X	X	X	X	X	
15.040	BELT – Centre lap (Britax)													
		BELT ASSY. – Black		(⁸ 7448013BA)	1	X	X	X	X	X	X	X	X	X
		BELT ASSY. – Antique brown		(⁸ 7448013CJ)	1	X	X	X	X	X	X	X	X	X
		BELT ASSY. – Antique gold		(⁸ 7448013BB)	1	X	X	X	X	X	X	X	X	X
		BELT ASSY. – Baroque red		(⁸ 7448013BT)	1	X	X	X	X	X	X	X	X	X
		BELT ASSY. – Turquoise mist		(⁸ 7448013BD)	1	X	X	X	X	X	X	X	X	X
		BELT ASSY. – Twilight blue		(⁸ 7448013BE)	1	X	X	X	X	X	X	X	X	X
		BELT ASSY. – Olive green		(⁸ 7448013CE)	1	X	X	X	X	X	X	X	X	X
		BELT ASSY. – Venetian green		(⁸ 7448013BU)	1	X	X	X	X	X	X	X	X	X
		BELT ASSY. – Sandalwood		(⁸ 7448013BG)	1	X	X	X	X	X	X	X	X	X
	BELT ASSY. – Dark ash		(⁸ 7448013DD)	1	X	X	X	X	X	X	X	X	X	

Note: (⁸ Three manufacturers seat belts were used in production. It is desirable to replace with same type as initial equipment. Prior to ADR4A.

Identification. Britax – Flat Section Buckle.

Cooldrive – Centre section of buckle raised.

Rainsford – Branded R.M.P. on back of buckle.

(¹⁶ Rainsford – Mini Buckle – Branded R.M.P. on back of buckle Prior to ADR4A.

(¹⁷ Cooldrive – Centre Section of Buckle raised – use with ADR4A.

(¹⁸ Rainsford – Branded R.M.P. on back of buckle – use with ADR4A.

HOLDEN "LJ" PARTS CATALOGUE

GROUP	DESCRIPTION	SIDE	PART No.	QTY.	822		823		824/828		825		829	
					11	11	69	11	69	69	11			
15.040	BELT – Centre lap (Cooldrive)													
	BELT ASSY. – Black		(⁸ 7448003BA	1	X	X	X	X	X	X	X	X	X	X
	BELT ASSY. – Antique brown		(⁸ 7448003CJ	1	X	X	X	X	X	X	X	X	X	X
	BELT ASSY. – Baroque red		(⁸ 7448003BT	1	X	X	X	X	X	X	X	X	X	X
	BELT ASSY. – Turquoise mist		(⁸ 7448003BD	1	X	X	X	X	X	X	X	X	X	X
	BELT ASSY. – Venetian green		(⁸ 7448003BU	1	X	X	X	X	X	X	X	X	X	X
	BELT ASSY. – Sandalwood		(⁸ 7448003BG	1	X	X	X	X	X	X	X	X	X	X
	BELT ASSY. – Dark ash		(⁸ 7448003DD	1	X	X	X	X	X	X	X	X	X	X
	BELT ASSY. – Chestnut		(⁸ 7448003DG	1	X	X	X	X	X	X	X	X	X	X
	BELT ASSY. – Black		(¹⁷ 9934993BA	1	X	X	X	X	X	X	X	X	X	X
	BELT ASSY. – Dark ash		(¹⁷ 9934993DD	1	X	X	X	X	X	X	X	X	X	X
	BELT ASSY. – Chestnut		(¹⁷ 9934993DG	1	X	X	X	X	X	X	X	X	X	X
	15.040	BELT – Centre lap (Rainsford)												
BELT ASSY. – Black			(⁸ 2815167BA	1	X	X	X	X	X	X	X	X	X	X
BELT ASSY. – Antique brown			(⁸ 2815167CJ	1	X	X	X	X	X	X	X	X	X	X
BELT ASSY. – Antique gold			(⁸ 2815167BB	1	X	X	X	X	X	X	X	X	X	X
BELT ASSY. – Baroque red			(⁸ 2815167BT	1	X	X	X	X	X	X	X	X	X	X
BELT ASSY. – Turquoise mist			(⁸ 2815167BD	1	X	X	X	X	X	X	X	X	X	X
BELT ASSY. – Twilight blue			(⁸ 2815167BE	1	X	X	X	X	X	X	X	X	X	X
BELT ASSY. – Olive green			(⁸ 2815167CE	1	X	X	X	X	X	X	X	X	X	X
BELT ASSY. – Venetian green			(⁸ 2815167BU	1	X	X	X	X	X	X	X	X	X	X
BELT ASSY. – Sandalwood			(⁸ 2815167BG	1	X	X	X	X	X	X	X	X	X	X
BELT ASSY. – Dark ash			(⁸ 2815167DD	1	X	X	X	X	X	X	X	X	X	X
BELT ASSY. – Chestnut			(⁸ 2815167DG	1	X	X	X	X	X	X	X	X	X	X
BELT ASSY. – Black			(¹⁸ 9934994BA	1	X	X	X	X	X	X	X	X	X	X
BELT ASSY. – Dark ash		(¹⁸ 9934994DD	1	X	X	X	X	X	X	X	X	X	X	
BELT ASSY. – Chestnut		(¹⁸ 9934994DG	1	X	X	X	X	X	X	X	X	X	X	
15.100	TRIM – Rear quarter													
	TRIM Nos. 40A	L.H.	2818939BA	1	X									
		R.H.	2818940BA	1	X									
	TRIM Nos. 41A	L.H.	2818939CK	1	X									
		R.H.	2818940CK	1	X									
	TRIM Nos. 42A	L.H.	2818939CL	1	X									
		R.H.	2818940CL	1	X									
	TRIM Nos. 42B	L.H.	2818939BW	1	X									
		R.H.	2818940BW	1	X									
	TRIM Nos. 49A	L.H.	2818939CM	1	X									
		R.H.	2818940CM	1	X									
	TRIM Nos. 50A	L.H.	2818939CY	1	X									
		R.H.	2818940CY	1	X									
	TRIM Nos. 52A	L.H.	2818939DJ	1	X									
		R.H.	2818940DJ	1	X									
	TRIM Nos. 54A	L.H.	2818939DK	1	X									
		R.H.	2818940DK	1	X									
	TRIM Nos. 55A	L.H.	2818939DL	1	X									
		R.H.	2818940DL	1	X									
	TRIM Nos. 59A	L.H.	2818939DM	1	X									
		R.H.	2818940DM	1	X									
	TRIM Nos. 40D, 40E	L.H.	2819235BA	1		X		X						
		R.H.	2819234BA	1		X		X						
	TRIM Nos. 41C, 41F	L.H.	2819235BB	1		X		X						
R.H.		2819234BB	1		X		X							
TRIM Nos. 41D, 41E	L.H.	2819235CA	1		X		X							
	R.H.	2819234CA	1		X		X							

Note: (⁸ Three manufacturers seat belts were used in production. It is desirable to replace with same type as initial equipment. Prior to ADR4A.
 Identification. Britax – Flat Section Buckle.
 Cooldrive – Centre section of buckle raised.
 Rainsford – Branded R.M.P. on back of buckle.
 (¹⁷ Cooldrive – Centre Section of Buckle raised – use with ADR4A.
 (¹⁸ Rainsford – Branded R.M.P. on back of buckle – use with ADR4A.

HOLDEN "LJ" PARTS CATALOGUE

GROUP	DESCRIPTION	SIDE	PART No.	QTY.	822	823	824/828	825	829	
					11	11	69	11	69	69
15.100	TRIM – Rear quarter (contd.)									
	TRIM Nos. 42C, 42F	L.H.	2819235BT	1		X		X		
		R.H.	2819234BT	1		X		X		
	TRIM Nos. 42D, 42E	L.H.	2819235CB	1		X		X		
		R.H.	2819234CB	1		X		X		
	TRIM Nos. 43C, 43F	L.H.	2819235BD	1		X		X		
		R.H.	2819234BD	1		X		X		
	TRIM Nos. 44C, 44F	L.H.	2819235BE	1		X		X		
		R.H.	2819234BE	1		X		X		
	TRIM Nos. 44D, 44E	L.H.	2819235CD	1		X		X		
		R.H.	2819234CD	1		X		X		
	TRIM Nos. 46D, 46E	L.H.	2819235CE	1		X		X		
		R.H.	2819234CE	1		X		X		
	TRIM Nos. 47C, 47F	L.H.	2819235BU	1		X		X		
		R.H.	2819234BU	1		X		X		
	TRIM Nos. 48C, 48F	L.H.	2819235BG	1		X		X		
		R.H.	2819234BG	1		X		X		
	TRIM Nos. 48D, 48E	L.H.	2819235CG	1		X		X		
		R.H.	2819234CG	1		X		X		
	TRIM Nos. 49D, 49E	L.H.	2819235CJ	1		X		X		
		R.H.	2819234CJ	1		X		X		
	TRIM Nos. 50D, 50E	L.H.	2819235CY	1		X		X		
		R.H.	2819234CY	1		X		X		
	TRIM Nos. 52D, 52E	L.H.	2819235DA	1		X		X		
		R.H.	2819234DA	1		X		X		
	TRIM Nos. 54D, 54E	L.H.	2819235DB	1		X		X		
		R.H.	2819234DB	1		X		X		
	TRIM Nos. 55D, 55E	L.H.	2819235DC	1		X		X		
		R.H.	2819234DC	1		X		X		
	TRIM Nos. 56D, 56E	L.H.	2819235DE	1		X		X		
		R.H.	2819234DE	1		X		X		
	TRIM Nos. 58D, 58E	L.H.	2819235DF	1		X		X		
		R.H.	2819234DF	1		X		X		
	TRIM Nos. 59D, 59E	L.H.	2819235DG	1		X		X		
		R.H.	2819234DG	1		X		X		
	TRIM Nos. 40X, 40Y, 40Z	L.H.	2818649BA	1						X
		R.H.	2818648BA	1						X
	TRIM Nos. 41X, 41Y	L.H.	2818649CA	1						X
		R.H.	2818648CA	1						X
	TRIM Nos. 44X, 44Y	L.H.	2818649CD	1						X
		R.H.	2818648CD	1						X
	TRIM Nos. 46X, 46Y	L.H.	2818649CE	1						X
		R.H.	2818648CE	1						X
	TRIM Nos. 48X, 48Y	L.H.	2818649CG	1						X
		R.H.	2818648CG	1						X
	TRIM Nos. 49X, 49Y	L.H.	2818649CJ	1						X
		R.H.	2818648CJ	1						X
	TRIM Nos. 50X, 50Y	L.H.	2818649CY	1						X
		R.H.	2818648CY	1						X
	TRIM Nos. 54X, 54Y	L.H.	2818649DB	1						X
	R.H.	2818648DB	1						X	
TRIM Nos. 55X, 55Y	L.H.	2818649DC	1						X	
	R.H.	2818648DC	1						X	
TRIM Nos. 56X, 56Y	L.H.	2818649DE	1						X	
	R.H.	2818648DE	1						X	
TRIM Nos. 58C, 58F, 58W, 58X, 58Y, 58Z	L.H.	2818649DF	1						X	
	R.H.	2818648DF	1						X	
TRIM Nos. 59X, 59Y	L.H.	2818649DG	1						X	
	R.H.	2818648DG	1						X	

HOLDEN "LJ" PARTS CATALOGUE

GROUP	DESCRIPTION	SIDE	PART No.	QTY.	822		823		824/828		825		829		
					11	11	69	11	69	69	11	11	69	11	
15.100	TRIM – Rear quarter upper														
	TRIM Nos. 40D, 40E, 40X, 40Y, 40Z	L.H.	B537BA	1			X		X					X	
		R.H.	B536BA	1			X		X					X	
	TRIM Nos. 41C, 41F	R.H.	B536BB	1			X		X					X	
	TRIM Nos. 41D, 41E, 41X, 41Y	L.H.	B537CA	1			X		X					X	
		R.H.	B536CA	1			X		X					X	
	TRIM Nos. 42C, 42F	R.H.	B536BT	1			X		X					X	
	TRIM Nos. 42D, 42E	L.H.	B537CB	1			X		X					X	
		R.H.	B536CB	1			X		X					X	
	TRIM Nos. 43C, 43F	R.H.	B536BD	1			X		X					X	
	TRIM Nos. 44C, 44F	L.H.	B537BE	1			X		X					X	
		R.H.	B536be	1			X		X					X	
	TRIM Nos. 44D, 44E, 44X, 44Y	L.H.	B537CD	1			X		X					X	
		R.H.	B536CD	1			X		X					X	
	TRIM Nos. 46D, 46E, 46X, 46Y	L.H.	B537CE	1			X		X					X	
		R.H.	B536CE	1			X		X					X	
	TRIM Nos. 47C, 47F	R.H.	B536BU	1			X		X					X	
	TRIM Nos. 48C, 48F	L.H.	B537BG	1			X		X					X	
		R.H.	B536bg	1			X		X					X	
	TRIM Nos. 48D, 48E, 48X, 48Y	L.H.	B537CG	1			X		X					X	
		R.H.	B536CG	1			X		X					X	
	TRIM Nos. 49D, 49E, 49X, 49Y	L.H.	B537CJ	1			X		X					X	
		R.H.	B536CJ	1			X		X					X	
	TRIM Nos. 50D, 50E, 50X, 50Y	L.H.	B537CY	1			X		X					X	
		R.H.	B536CY	1			X		X					X	
	TRIM Nos. 52D, 52E	L.H.	B537DA	1			X		X						
		R.H.	B536DA	1			X		X						
	TRIM Nos. 54D, 54E, 54X, 54Y	L.H.	B537DB	1			X		X					X	
		R.H.	B536DB	1			X		X					X	
	TRIM Nos. 55D, 55E, 55X, 55Y	L.H.	B537DC	1			X		X					X	
		R.H.	B536DC	1			X		X					X	
	TRIM Nos. 56D, 56E, 56X, 56Y	L.H.	B537DE	1			X		X					X	
		R.H.	B536DE	1			X		X					X	
TRIM Nos. 58C, 58D, 58E, 58F, 58W, 58X, 58Y, 58Z	L.H.	B537DF	1			X		X					X		
	R.H.	B536DF	1			X		X					X		
TRIM Nos. 59D, 59E, 59X, 59Y	L.H.	B537DG	1			X		X					X		
	R.H.	B536DG	1			X		X					X		
15.100	TRIM – Rear quarter lower														
	TRIM Nos. 40D, 40E, 40R, 40T, 40U	L.H.	B541BA	1				X		X		X			
		R.H.	B540BA	1					X		X		X		
	TRIM Nos. 41C, 41F	L.H.	B541BB	1					X		X		X		
		R.H.	B540BB	1					X		X		X		
	TRIM Nos. 41D, 41E, 41R, 41T	L.H.	B541CA	1					X		X		X		
		R.H.	B540CA	1					X		X		X		
	TRIM Nos. 42D, 42E, 42R	L.H.	B541CB	1					X		X		X		
		R.H.	B540CB	1					X		X		X		
	TRIM Nos. 43C, 43F	R.H.	B540BD	1					X		X		X		
	TRIM Nos. 44D, 44E, 44R	L.H.	B541CD	1					X		X		X		
		R.H.	B540CD	1					X		X		X		
	TRIM Nos. 46D, 46E, 46R, 46S, 46T	L.H.	B541CE	1					X		X		X		
		R.H.	B540CE	1					X		X		X		
	TRIM Nos. 48C, 48F	R.H.	B540BG	1					X		X		X		
	TRIM Nos. 48D, 48E, 48R, 48U	L.H.	b541CG	1					X		X		X		
		R.H.	B540CG	1					X		X		X		
	TRIM Nos. 49D, 49E, 49R, 49T	L.H.	B541CJ	1					X		X		X		
		R.H.	B540CJ	1					X		X		X		
	TRIM Nos. 50D, 50E, 50R, 50T, 50U	L.H.	B541CY	1					X		X		X		
		R.H.	B540CY	1					X		X		X		
	TRIM Nos. 52D, 52E, 52R	L.H.	B541DA	1					X		X		X		
		R.H.	B540DA	1					X		X		X		
TRIM Nos. 54D, 54E, 54R, 54T	L.H.	B541DB	1					X		X		X			
	R.H.	B540DB	1					X		X		X			

HOLDEN "LJ" PARTS CATALOGUE

GROUP	DESCRIPTION	SIDE	PART No.	QTY.	822	823		824/828		825	829	
					11	11	69	11	69	69	11	
15.100	TRIM – Rear quarter lower (contd.)											
	TRIM Nos. 55D, 55E, 55R, 55T	L.H.	B541DC	1			X	X	X			
		R.H.	B540DC	1			X	X	X			
	TRIM Nos. 56D, 56E, 56R, 56T	L.H.	B541DE	1			X	X	X			
		R.H.	B540DE	1			X	X	X			
	TRIM Nos. 58C, 58D, 58E, 58F, 58R, 58S, 58T, 58V	L.H.	B541DF	1			X	X	X			
		R.H.	B540DF	1			X	X	X			
	TRIM Nos. 59D, 59E, 59R, 59T	L.H.	B541DG	1			X	X	X			
	R.H.	B540DG	1			X	X	X				
	CLIP - Trim to rear quarter		7377884	10	X	X		X			X	
15.103	PAD – Rear quarter											
	PAD - Rear quarter - Upper		C693	2	X	X	X	X	X	X	X	
	PAD - Rear quarter trim centre		2818636	2							X	
15.224	PANEL – Luggage compartment, front											
	PANEL ASSEMBLY		2805821	1	X	X	X	X	X	X	X	
15.286	MAT – Front floor (Bucket Seat)											
	MAT - Black	RIGHT HAND DRIVE	2823118BA	1	X							
	MAT - Black	RIGHT HAND DRIVE	2823119BA	1		X	X					
	MAT - Antique brown	RIGHT HAND DRIVE	2823119CJ	1		X	X					
	MAT - Antique gold	RIGHT HAND DRIVE	2823119BB	1		X	X					
	MAT - Calypso red	RIGHT HAND DRIVE	2823119CB	1		X	X					
	MAT - Turquoise mist	RIGHT HAND DRIVE	2823119BD	1		X	X					
	MAT - Medium blue	RIGHT HAND DRIVE	2823119CD	1		X	X					
	MAT - Twilight blue	RIGHT HAND DRIVE	2823119BE	1		X	X					
	MAT - Olive green	RIGHT HAND DRIVE	2823119CE	1		X	X					
	MAT - Venetian green	RIGHT HAND DRIVE	2823119BU	1		X	X					
	MAT - Dark sandalwood	RIGHT HAND DRIVE	2823119BH	1		X	X					
	MAT - Cinnabar	RIGHT HAND DRIVE	2823119DA	1		X	X					
	MAT - Dark ash	RIGHT HAND DRIVE	2823119DD	1		X	X					
	MAT - Juniper	RIGHT HAND DRIVE	2823119DE	1		X	X					
	MAT - Chestnut	RIGHT HAND DRIVE	2823119DG	1		X	X					
	MAT - Antique brown	LEFT HAND DRIVE	2812807CJ	1		X	X					
	MAT - Antique gold	LEFT HAND DRIVE	2812807BB	1		X	X					
	MAT - Calypso red	LEFT HAND DRIVE	2812807CB	1		X	X					
	MAT - Baroque red	LEFT HAND DRIVE	2812807BT	1		X	X					
	MAT - Turquoise mist	LEFT HAND DRIVE	2812807BD	1		X	X					
	MAT - Medium blue	LEFT HAND DRIVE	2812807CD	1		X	X					
	MAT - Twilight blue	LEFT HAND DRIVE	2812807BE	1		X	X					
	MAT - Olive green	LEFT HAND DRIVE	2812807CE	1		X	X					
	MAT - Venetian green	LEFT HAND DRIVE	2812807BU	1		X	X					
	MAT - Cinnabar	LEFT HAND DRIVE	2812807DA	1		X	X					
	MAT - Indigo	LEFT HAND DRIVE	2812807DB	1		X	X					
	MAT - Dark ash	LEFT HAND DRIVE	2812807DD	1		X	X					
	MAT - Juniper	LEFT HAND DRIVE	2812807DE	1		X	X					
	MAT - Chestnut	LEFT HAND DRIVE	2812807DG	1		X	X					
	15.286	MAT – Front floor (Bench Seat)										
		MAT - Black		2823120BA	1			X				
MAT - Antique brown			2823120CJ	1			X					
MAT - Antique gold			2823120BB	1			X					
MAT - Calypso red			2823120CB	1			X					
MAT - Baroque red			2823120BT	1			X					
MAT - Turquoise mist			2823120BD	1			X					
MAT - Medium blue			2823120CD	1			X					
MAT - Olive green			2823120CE	1			X					
MAT - Venetian green			2823120BU	1			X					
	MAT - Dark sandalwood		2823120BH	1			X					

HOLDEN "LJ" PARTS CATALOGUE

GROUP	DESCRIPTION	SIDE	PART No.	QTY.	822		823		824/828		825	829
					11	11	69	11	69	69	11	
15.286	MAT – Front floor (Bench Seat) (contd.)											
	MAT – Cinnabar		2823120DA	1			X					
	MAT – Indigo		2823120DB	1			X					
	MAT – Dark ash		2823120DD	1			X					
	MAT – Juniper		2823120DE	1			X					
	MAT – Chestnut		2823120DG	1			X					
15.286	CARPET – Front floor											
	CARPET – Black	RIGHT HAND DRIVE	2823130BA	1		X	X				X	X
	CARPET – Antique brown	RIGHT HAND DRIVE	2823130CJ	1		X	X				X	X
	CARPET – Antique gold	RIGHT HAND DRIVE	2823130BB	1		X	X				X	X
	CARPET – Calypso red	RIGHT HAND DRIVE	2823130CB	1		X	X				X	X
	CARPET – Baroque red	RIGHT HAND DRIVE	2823130BT	1		X	X				X	X
	CARPET – Turquoise mist	RIGHT HAND DRIVE	2823130BD	1		X	X				X	X
	CARPET – Medium blue	RIGHT HAND DRIVE	2823130CD	1		X	X				X	X
	CARPET – Twilight blue	RIGHT HAND DRIVE	2823130BE	1		X	X				X	X
	CARPET – Olive green	RIGHT HAND DRIVE	2823130CE	1		X	X				X	X
	CARPET – Venetian green	RIGHT HAND DRIVE	2823130BU	1		X	X				X	X
	CARPET – Dark sandalwood	RIGHT HAND DRIVE	2823130BH	1		X	X				X	X
	CARPET – Cinnabar	RIGHT HAND DRIVE	2823130DA	1		X	X				X	X
	CARPET – Indigo	RIGHT HAND DRIVE	2823130DB	1		X	X				X	X
	CARPET – Dark ash	RIGHT HAND DRIVE	2823130DD	1		X	X				X	X
	CARPET – Juniper	RIGHT HAND DRIVE	2823130DE	1		X	X				X	X
	CARPET – Chestnut	RIGHT HAND DRIVE	2823130DG	1		X	X				X	X
	CARPET – Black	LEFT HAND DRIVE	2813233BA	1		X	X				X	
	CARPET – Antique gold	LEFT HAND DRIVE	2813233BB	1		X	X				X	
	CARPET – Calypso red	LEFT HAND DRIVE	2813233CB	1		X	X				X	
	CARPET – Baroque red	LEFT HAND DRIVE	2813233BT	1		X	X				X	
	CARPET – Turquoise mist	LEFT HAND DRIVE	2813233BD	1		X	X				X	
	CARPET – Medium blue	LEFT HAND DRIVE	2813233CD	1		X	X				X	
	CARPET – Twilight blue	LEFT HAND DRIVE	2813233BE	1		X	X				X	
	CARPET – Olive green	LEFT HAND DRIVE	2813233CE	1		X	X				X	
	CARPET – Venetian green	LEFT HAND DRIVE	2813233BU	1		X	X				X	
	CARPET – Dark sandalwood	LEFT HAND DRIVE	2813233BH	1		X	X				X	
	CARPET – Cinnabar	LEFT HAND DRIVE	2813233DA	1		X	X					
	CARPET – Indigo	LEFT HAND DRIVE	2813233DB	1		X	X					
	CARPET – Dark ash	LEFT HAND DRIVE	2813233DD	1		X	X					
	CARPET – Juniper	LEFT HAND DRIVE	2813233DE	1		X	X					
	CARPET – Chestnut	LEFT HAND DRIVE	2813233DG	1		X	X					
	CARPET – Black		2823131BA	1					X	X		
	CARPET – Antique brown		2823131CJ	1					X	X		
	CARPET – Baroque red		2823131BT	1					X	X		
	CARPET – Calypso red		2823131CB	1					X	X		
	CARPET – Turquoise mist		2823131BD	1					X	X		
	CARPET – Twilight blue		2823131BE	1					X	X		
	CARPET – Medium blue		2823131CD	1					X	X		
	CARPET – Olive green		2823131CE	1					X	X		
	CARPET – Venetian green		2823131BU	1					X	X		
	CARPET – Cinnabar		2823131DA	1					X	X		
	CARPET – Indigo		2823131DB	1					X	X		
CARPET – Dark ash		2823131DD	1					X	X			
CARPET – Juniper		2823131DE	1					X	X			
CARPET – Chestnut		2823131DG	1					X	X			
15.290	HOUSING – Transmission control											
	HOUSING ASSY. – (M) 4 speed trans.		2822886	1		X	X				X	
	HOUSING ASSY. – (M) 4 speed trans. 1600 Eng.		2822033	1				X	X			
	PLATE – Gear shift pattern (M) 4 speed trans.		2815059	1								X
	HOUSING ASSY. – (A) floor & console shift		2820389	1	X	X	X	X	X	X	X	
	CLIP – Moulding to housing		SP1335	14	X	X	X	X	X	X	X	X
NUT – Housing to console (A)		SP1765	2	X	X	X	X	X	X	X		

HOLDEN "LJ" PARTS CATALOGUE

GROUP	DESCRIPTION	SIDE	PART No.	QTY.	822		823		824/828		825	829
					11	11	69	11	69	69	11	
15.294	MAT – Luggage compartment floor MAT		2809787	1	X	X	X	X	X	X	X	X
15.294	COVER – Fuel tank COVER ASSY – XU1 Eng.		2816504	1								X
15.306	MAT – Rear floor (Bucket Seat)											
	MAT – Black		2808011BA	1	X	X						
	MAT – Antique brown		2808011CJ	1	X	X						
	MAT – Antique gold		2808011BB	1	X	X						
	MAT – Calypso red		2808011CB	1	X	X						
	MAT – Baroque red		2808011BT	1	X	X						
	MAT – Turquoise mist		2808011BD	1	X	X						
	MAT – Olive green		2808011CE	1	X	X						
	MAT – Venetian green		2808011BU	1	X	X						
	MAT – Dark sandalwood		2808011BH	1	X	X						
	MAT – Cinnabar		2808011DA	1	X	X						
	MAT – Indigo		2808011DB	1	X	X						
	MAT – Dark ash		2808011DD	1	X	X						
	MAT – Juniper		2808011DE	1	X	X						
	MAT – Chestnut		2808011DG	1	X	X						
	MAT – Black		2808010BA	1				X				
	MAT – Antique brown		2808010CJ	1				X				
	MAT – Antique gold		2808010BB	1				X				
	MAT – Calypso red		2808010CB	1				X				
	MAT – Baroque red		2808010BT	1				X				
	MAT – Turquoise mist		2808010BD	1				X				
	MAT – Medium blue		2808010CD	1				X				
	MAT – Twilight blue		2808010BE	1				X				
	MAT – Olive green		2808010CE	1				X				
	MAT – Venetian green		2808010BU	1				X				
	MAT – Dark sandalwood		2808010BH	1				X				
	MAT – Cinnabar		2808010DA	1				X				
	MAT – Indigo		2808010DB	1				X				
	MAT – Dark ash		2808010DD	1				X				
	MAT – Juniper		2808010DE	1				X				
	MAT – Chestnut		2808010DG	1				X				
15.306	MAT – Rear floor (Bench Seat)											
	MAT – Black		2810325BA	1				X				
	MAT – Antique brown		2810325CJ	1				X				
	MAT – Antique gold		2810325BB	1				X				
	MAT – Calypso red		2810325CB	1				X				
	MAT – Baroque red		2810325BT	1				X				
	MAT – Turquoise mist		2810325BD	1				X				
	MAT – Medium blue		2810325CD	1				X				
	MAT – Twilight blue		2810325BE	1				X				
	MAT – Olive green		2810325CE	1				X				
	MAT – Venetian green		2810325BU	1				X				
	MAT – Dark sandalwood		2810325BH	1				X				
	MAT – Cinnabar		2810325DA	1				X				
	MAT – Indigo		2810325DB	1				X				
	MAT – Dark ash		2810325DD	1				X				
	MAT – Juniper		2810325DE	1				X				
	MAT – Chestnut		2810325DG	1				X				
15.306	CARPET – Rear floor (Bucket Seat)											
	CARPET – Black		2810225BA	1		X						X
	CARPET – Antique brown		2810225CJ	1		X						X
	CARPET – Antique gold		2810225BB	1		X						X
	CARPET – Calypso red		2810225CB	1		X						X

HOLDEN "LJ" PARTS CATALOGUE

GROUP	DESCRIPTION	SIDE	PART No.	QTY.	822		823		824 / 828		825		829	
					11	11	69	69	11	69	69	11		
15.306	CARPET – Rear floor (Bucket Seat) (contd.)													
	CARPET - Baroque red		2810225BT	1			X							X
	CARPET - Turquoise mist		2810225BD	1			X							X
	CARPET - Medium blue		2810225CD	1			X							X
	CARPET - Twilight blue		2810225BE	1			X							X
	CARPET - Olive green		2810225CE	1			X							X
	CARPET - Venetian green		2810225BU	1			X							X
	CARPET - Dark sandalwood		2810225BH	1			X							X
	CARPET - Cinnabar		2810225DA	1			X							X
	CARPET - Indigo		2810225DB	1			X							X
	CARPET - Dark ash		2810225DD	1			X							X
	CARPET - Juniper		2810225DE	1			X							X
	CARPET - Chestnut		2810225DG	1			X							X
	CARPET - Black		2810230BA	1					X			X		
	CARPET - Antique brown		2810230CJ	1					X			X		
	CARPET - Calypso red		2810230CB	1					X			X		
	CARPET - Baroque red		2810230BT	1					X			X		
	CARPET - Turquoise mist		2810230BD	1					X			X		
	CARPET - Medium blue		2810230CD	1					X			X		
	CARPET - Twilight blue		2810230BE	1					X			X		
	CARPET - Olive green		2810230CE	1					X			X		
	CARPET - Venetian green		2810230BU	1					X			X		
	CARPET - Dark sandalwood		2810230BH	1					X			X		
	CARPET - Cinnabar		2810230DA	1					X			X		
	CARPET - Indigo		2810230DB	1					X			X		
	CARPET - Dark ash		2810230DD	1					X			X		
	CARPET - Juniper		2810230DE	1					X			X		
	CARPET - Chestnut		2810230DG	1					X			X		
	CARPET - Black		2820907BA	1						X				
	CARPET - Antique brown		2820907CJ	1						X				
	CARPET - Baroque red		2820907BT	1						X				
	CARPET - Calypso red		2820907CB	1						X				
	CARPET - Turquoise mist		2820907BD	1						X				
	CARPET - Twilight blue		2820907BE	1						X				
	CARPET - Medium blue		2820907CD	1						X				
	CARPET - Olive green		2820907CE	1						X				
	CARPET - Calypso red		2820907CB	1						X				
	CARPET - Cinnabar		2820907DA	1						X				
	CARPET - Indigo		2820907DB	1						X				
	CARPET - Dark ash		2820907DD	1						X				
	CARPET - Juniper		2820907DE	1						X				
	CARPET - Chestnut		2820907DG	1						X				
	CARPET - Black		2820908BA	1							X			
	CARPET - Antique gold		2820908BB	1							X			
	CARPET - Antique brown		2820908CJ	1							X			
	CARPET - Baroque red		2820908BT	1							X			
	CARPET - Calypso red		2820908CB	1							X			
	CARPET - Turquoise mist		2820908BD	1							X			
	CARPET - Twilight blue		2820908BE	1							X			
	CARPET - Medium blue		2820908CD	1							X			
	CARPET - Olive green		2820908CE	1							X			
	CARPET - Venetian green		2820908BU	1							X			
	CARPET - Dark sandalwood		2820908BH	1							X			
	CARPET - Cinnabar		2820908DA	1							X			
	CARPET - Indigo		2820908DB	1							X			
	CARPET - Dark ash		2820908DD	1							X			
	CARPET - Juniper		2820908DE	1							X			
	CARPET - Chestnut		2820908DG	1							X			

HOLDEN "LJ" PARTS CATALOGUE

GROUP	DESCRIPTION	SIDE	PART No.	QTY.	822		823		824/828		825	829	
					11	11	69	11	69	69	11		
15.306	CARPET – Rear floor (Bench Seat)												
		CARPET – Black		2810231BA	1			X				X	
		CARPET – Antique brown		2810231CJ	1			X				X	
		CARPET – Antique gold		2810231BB	1			X				X	
		CARPET – Calypso red		2810231CB	1			X				X	
		CARPET – Baroque red		2810231BT	1			X				X	
		CARPET – Turquoise mist		2810231BD	1			X				X	
		CARPET – Medium blue		2810231CD	1			X				X	
		CARPET – Twilight blue		2810231BE	1			X				X	
		CARPET – Olive green		2810231CE	1			X				X	
		CARPET – Venetian green		2810231BU	1			X				X	
		CARPET – Dark sandalwood		2810231BH	1			X				X	
		CARPET – Cinnabar		2810231DA	1			X				X	
		CARPET – Indigo		2810231DB	1			X				X	
		CARPET – Dark ash		2810231DD	1			X				X	
		CARPET – Juniper		2810231DE	1			X				X	
	CARPET – Chestnut		2810231DG	1			X				X		
15.390	STRAP – Assist grip												
		STRAP – Black		7439827BA	2		X		X			X	
		STRAP – Antique gold		7439827BB	2		X		X			X	
		STRAP – Antique saddle		7439827CA	2		X		X			X	
		STRAP – Baroque red		7439827BT	2		X		X			X	
		STRAP – Calypso red		7439827CB	2		X		X			X	
		STRAP – Turquoise mist		7439827BD	2		X		X			X	
		STRAP – Twilight blue		7439827BE	2		X		X			X	
		STRAP – Medium blue		7439827CD	2		X		X			X	
		STRAP – Olive green		7439827CE	2		X		X			X	
		STRAP – Venetian green		7439827BU	2		X		X			X	
		STRAP – Sandalwood		7439827BG	2		X		X			X	
		STRAP – Flax		7439827CG	2		X		X			X	
		STRAP – Antique brown		7439827CJ	2		X		X			X	
		STRAP – Black		7439827CY	2		X		X			X	
		STRAP – Cinnabar		7439827DA	2		X		X			X	
		STRAP – Indigo		7439827DB	2		X		X			X	
		STRAP – Ash		7439827DC	2		X		X			X	
		STRAP – Juniper		7439827DE	2		X		X			X	
		STRAP – Doeskin		7439827DF	2		X		X			X	
		STRAP – Chestnut		7439827DG	2		X		X			X	
		STRAP – Black		7439928BA	2			X		X		X	
		STRAP – Antique gold		7439928BB	2			X		X		X	
		STRAP – Antique saddle		7439928CA	2			X		X		X	
		STRAP – Baroque red		7439928BT	2			X		X		X	
		STRAP – Calypso red		7439928CB	2			X		X		X	
		STRAP – Turquoise mist		7439928BD	2			X		X		X	
		STRAP – Twilight blue		7439928BE	2			X		X		X	
		STRAP – Medium blue		7439928CD	2			X		X		X	
		STRAP – Olive green		7439928CE	2			X		X		X	
		STRAP – Venetian green		7439928BU	2			X		X		X	
		STRAP – Sandalwood		7439928BG	2			X		X		X	
		STRAP – Flax		7439928CG	2			X		X		X	
		STRAP – Antique brown		7439928CJ	2			X		X		X	
		STRAP – Black		7439928CY	2			X		X		X	
		STRAP – Cinnabar		7439928DA	2			X		X		X	
		STRAP – Indigo		7439928DB	2			X		X		X	
		STRAP – Ash		7439928DC	2			X		X		X	
		STRAP – Juniper		7439928DE	2			X		X		X	
		STRAP – Doeskin		7439928DF	2			X		X		X	
		STRAP – Chestnut		7439928DG	2			X		X		X	
		STUD – Fastener type 'A' No. 8 - 3/8"		SP1017	2		X	X	X	X	X	X	X
		SOCKET – Assist grip strap to body		SP1018	2		X	X	X	X	X	X	X
	EYELET – 5/16" barrel		SP1443	2		X	X	X	X	X	X	X	

HOLDEN "LJ" PARTS CATALOGUE

GROUP	DESCRIPTION	SIDE	PART No.	QTY.	822		823		824/828		825		829	
					11	11	69	11	69	69	11			
15.492	DEADENER – Sound DEADENER - 15" x 20"		M36770	A.R	X	X	X	X	X	X	X	X	X	X
15.520	WINDLACE – Door opening – Front door													
	WINDLACE - Black		2808875BA	2	X	X		X						X
	WINDLACE - Antique saddle		2808875CA	2	X	X		X						X
	WINDLACE - Antique gold		2808875BB	2	X	X		X						X
	WINDLACE - Calypso red		2808875CB	2	X	X		X						X
	WINDLACE - Baroque red		2808875BT	2	X	X		X						X
	WINDLACE - Turquoise mist		2808875BD	2	X	X		X						X
	WINDLACE - Twilight blue		2808875BE	2	X	X		X						X
	WINDLACE - Medium blue		2808875CD	2	X	X		X						X
	WINDLACE - Olive green		2808875CE	2	X	X		X						X
	WINDLACE - Sandalwood		2808875BG	2	X	X		X						X
	WINDLACE - Flax		2808875CG	2	X	X		X						X
	WINDLACE - Antique brown		2808875CJ	2	X	X		X						X
	WINDLACE - Cinnabar		2808875DA	2	X	X		X						X
	WINDLACE - Indigo		2808875DB	2	X	X		X						X
	WINDLACE - Ash		2808875DC	2	X	X		X						X
	WINDLACE - Juniper		2808875DE	2		X		X						X
	WINDLACE - Doeskin		2808875DF	2		X		X						X
	WINDLACE - Chestnut		2808875DG	2	X	X		X						X
	WINDLACE - Black		2808877BA	2				X		X	X			
	WINDLACE - Antique gold		2808877BB	2				X		X	X			
	WINDLACE - Antique saddle		2808877CA	2				X		X	X			
	WINDLACE - Baroque red		2808877BT	2				X		X	X			
	WINDLACE - Calypso red		2808877CB	2				X		X	X			
	WINDLACE - Turquoise mist		2808877BD	2				X		X	X			
	WINDLACE - Twilight blue		2808877BE	2				X		X	X			
	WINDLACE - Medium blue		2808877CD	2				X		X	X			
	WINDLACE - Olive green		2808877CE	2				X		X	X			
	WINDLACE - Venetian green		2808877BU	2				X		X	X			
	WINDLACE - Sandalwood		2808877BG	2				X		X	X			
	WINDLACE - Flax		2808877CG	2				X		X	X			
	WINDLACE - Antique brown		2808877CJ	2				X		X	X			
	WINDLACE - Cinnabar		2808877DA	2				X		X	X			
	WINDLACE - Indigo		2808877DB	2				X		X	X			
	WINDLACE - Ash		2808877DC	2				X		X	X			
	WINDLACE - Juniper		2808877DE	2				X		X	X			
	WINDLACE - Doeskin		2808877DF	2				X		X	X			
	WINDLACE - Chestnut		2808877DG	2				X		X	X			
15.520	WINDLACE – Door opening – Rear door													
	WINDLACE - Black		2808874BA	2				X		X	X			
	WINDLACE - Antique gold		2808874BB	2				X		X	X			
	WINDLACE - Antique saddle		2808874CA	2				X		X	X			
	WINDLACE - Baroque red		2808874BT	2				X		X	X			
	WINDLACE - Calypso red		2808874CB	2				X		X	X			
	WINDLACE - Turquoise mist		2808874BD	2				X		X	X			
	WINDLACE - Twilight blue		2808874BE	2				X		X	X			
	WINDLACE - Medium blue		2808874CD	2				X		X	X			
	WINDLACE - Olive green		2808874ce	2				X		X	X			
	WINDLACE - Venetian green		2808874BU	2				X		X	X			
	WINDLACE - Sandalwood		2808874BG	2				X		X	X			
	WINDLACE - Flax		2808874CG	2				X		X	X			
	WINDLACE - Antique brown		2808874CJ	2				X		X	X			
	WINDLACE - Cinnabar		2808874DA	2				X		X	X			
	WINDLACE - Indigo		2808874DB	2				X		X	X			
	WINDLACE - Ash		2808874DC	2				X		X	X			
	WINDLACE - Juniper		2808874DE	2				X		X	X			
	WINDLACE - Doeskin		2808874DF	2				X		X	X			
	WINDLACE - Chestnut		2808874DG	2				X		X	X			

HOLDEN "LJ" PARTS CATALOGUE

PART No.	GROUP	PART No.	GROUP	PART No.	GROUP	PART No.	GROUP	PART No.	GROUP
AC22	1.835	B539DB	14.730	C785DE	11 119	C789BG	14.691	M36900	4.650
A221	1.835	B539DC	14.730	C785DF	11 119	C789BU	14.691	M36965	4.003
B536	15.100	B539DE	14.730	C785DG	11 119	C789CA	14.691	M36966	4.422
B536BA	15.100	B539DF	14.730	C786BA	14.691	C789CB	14.691	M36967	4.003
B536BB	15.100	B539DG	14.730	C786BB	14.691	C789CD	14.691	M36997	5.855
B536BD	15.100	B540	15.100	C786BE	14.691	C789CE	14.691	M37000	4.651
B536BT	15.100	B540BA	15.100	C786BD	14.691	C789CG	14.691	M37042	8.800
B536BU	15.100	B540BD	15.100	C786BG	14.691	C789CJ	14.691	M37043	8.800
B536CA	15.100	B540BG	15.100	C786BT	14.691	C789CY	14.691	M37067	8.823
B536CB	15.100	B540CA	15.100	C786BU	14.691	C789DA	14.691	M37085	9.662
B536CD	15.100	B540CB	15.100	C786CA	14.691	C789DB	14.691	M37115	9.662
B536CE	15.100	B540CD	15.100	C786CB	14.691	C789DC	14.691	M37124	10.550
B536CG	15.100	B540CE	15.100	C786CD	14.691	C789DE	14.691	M37125	12.248
B536CJ	15.100	B540CG	15.100	C786CE	14.691	C789DF	14.691	M37169	1.229
B536CY	15.100	B540CJ	15.100	C786CG	14.691	C789DG	14.691	M37211	5.875
B536DA	15.100	B540CY	15.100	C786CJ	14.691	C790BA	14.764	M37229	5.018
B536DB	15.100	B540DA	15.100	C786CY	14.691	C790BB	14.764	M37230	5.018
B536DC	15.100	B540DB	15.100	C786DA	14.691	C790BD	14.764	M37362	1.429
B536DE	15.100	B540DC	15.100	C786DB	14.691	C790BE	14.764	M37418	0.096
B536DF	15.100	B540DE	15.100	C786DC	14.691	C790BG	14.764	M37418	0.099
B536DG	15.100	B540DF	15.100	C786DE	14.691	C790BT	14.764	M37418	0.101
B537BA	15.100	B540DG	15.100	C786DF	14.691	C790BU	14.764	M37418	0.103
B537BE	15.100	B541BA	15.100	C786DG	14.691	C790CA	14.764	M37419	0.096
B537BG	15.100	B541BB	15.100	C787BA	14.691	C790CB	14.764	M37419	0.099
B537CA	15.100	B541CA	15.100	C787BB	14.691	C790CD	14.764	M37419	0.101
B537CB	15.100	B541CB	15.100	C787BD	14.691	C790CE	14.764	M37419	0.103
B537CD	15.100	B541CD	15.100	C787BE	14.691	C790CG	14.764	M37420	0.106
B537CE	15.100	B541CE	15.100	C787BG	14.691	C790CJ	14.764	M37421	0.106
B537CG	15.100	B541CJ	15.100	C787BT	14.691	C790CY	14.764	M37422	3.265
B537CJ	15.100	B541CY	15.100	C787CA	14.691	C790DA	14.764	M37425	4.005
B537CY	15.100	B541DA	15.100	C787CB	14.691	C790DB	14.764	M37430	0.096
B537DA	15.100	B541DB	15.100	C787CD	14.691	C790DC	14.764	M37430	0.099
B537DB	15.100	B541DC	15.100	C787CE	14.691	C790DE	14.764	M37430	0.101
B537DC	15.100	B541DE	15.100	C787CG	14.691	C790DF	14.764	M37430	0.103
B537DE	15.100	B541DF	15.100	C787CJ	14.691	C790DG	14.764	M37431	0.106
B537DF	15.100	B541DG	15.100	C787CY	14.691	C791BA	14.764	M37439	0.289
B537DG	15.100	CT22	0.799	C787DA	14.691	C791BB	14.764	M37477	6.168
B538BA	14.730	C44NS	2.270	C787DB	14.691	C791BD	14.764	M37535	8.800
B538BB	14.730	C693	15.103	C787DC	14.691	C791BE	14.764	M37557	4.003
B538BE	14.730	C784BB	11 119	C787DE	14.691	C791BG	14.764	N3306	4.408
B538BG	14.730	C784BG	11 119	C787DF	14.691	C791BT	14.764	PBV	3.410
B538CA	14.730	C784CA	11 119	C787DG	14.691	C791BU	14.764	PF10	1.835
B538CB	14.730	C784CB	11 119	C788BA	14.691	C791CA	14.764	SD	1.835
B538CD	14.730	C784CD	11 119	C788BB	14.691	C791CB	14.764	SP1004	1.166
B538CE	14.730	C784CE	11 119	C788BD	14.691	C791CD	14.764	SP1004	9.779
B538CG	14.730	C784CG	11 119	C788BE	14.691	C791CE	14.764	SP1017	15.390
B538CJ	14.730	C784CJ	11 119	C788BG	14.691	C791CG	14.764	SP1018	15.390
B538CY	14.730	C784DA	11 119	C788BT	14.691	C791CJ	14.764	SP1048	9.220
B538DA	14.730	C784DB	11 119	C788BU	14.691	C791CY	14.764	SP1105	2.270
B538DB	14.730	C784DC	11 119	C788CA	14.691	C791DA	14.764	SP1229	4.020
B538DC	14.730	C784DE	11 119	C788CB	14.691	C791DB	14.764	SP1229	6.524
B538DE	14.730	C784DF	11 119	C788CD	14.691	C791DC	14.764	SP1235	10.686
B538DF	14.730	C784DG	11 119	C788CE	14.691	C791DE	14.764	SP1335	15.290
B538DG	14.730	C785BB	11 119	C788CG	14.691	C791DF	14.764	SP1352	3.410
B539BA	14.730	C785BD	11 119	C788CJ	14.691	C791DG	14.764	SP1409	13.092
B539BB	14.730	C785BE	11 119	C788CY	14.691	M32709	8.823	SP1443	15.390
B539BD	14.730	C785BG	11 119	C788DA	14.691	M35687	3.270	SP1467	9.600
B539BG	14.730	C785CA	11 119	C788DB	14.691	M35804	0.616	SP1495	12.803
B539CA	14.730	C785CB	11 119	C788DC	14.691	M35821	0.449	SP1498	2.555
B539CB	14.730	C785CD	11 119	C788DE	14.691	M36483	1.762	SP1533	1.426
B539CD	14.730	C785CE	11 119	C788DF	14.691	M36496	4.005	SP1534	1.265
B539CE	14.730	C785CG	11 119	C788DG	14.691	M36669	1.219	SP1534	4.015
B539CG	14.730	C785CJ	11 119	C789BA	14.691	M36670	1.219	SP1546	4.342
B539CJ	14.730	C785DA	11 119	C789BB	14.691	M36764	8.823	SP1548	7.870
B539CY	14.730	C785DB	11 119	C789BD	14.691	M36770	15.492	SP1548	8.079
B539DA	14.730	C785DC	11 119	C789BE	14.691	M36815	4.177	SP1548	9.169

HOLDEN "LJ" PARTS CATALOGUE

PART No.	GROUP	PART No.	GROUP	PART No.	GROUP	PART No.	GROUP	PART No.	GROUP
SP1557	1.166	SP1838CA	14.800	SP2064	12.242	VS10202	2.372	VS10657	10.150
SP1572	1.166	SP1838CA	14.924	SP2068	1.251	VS10204	2.381	VS10664	4.908
SP1574	3.202	SP1838CB	14.800	SP2069	1.251	VS10204	2.310	VS10707	10.150
SP1605	3.003	SP1838CB	14.924	SP2070	1.153	VS10205	2.388	VS10713	4.668
SP1606	8.132	SP1838CD	14.800	SP2071	1.153	VS10206	2.388	VS10715	2.515
SP1606	12.182	SP1838CD	14.924	SP2071	2.277	VS10210	2.364	VS10723	2.515
SP1609	3.003	SP1838CE	14.800	SP2073	0.027	VS10211	2.381	VS10734	2.515
SP1610	3.260	SP1838CE	14.924	SP2073	2.277	VS10215	2.100	VS10747	2.515
SP1610	9.779	SP1838CE	15.024	SP2077	2.277	VS10228	3.910	VS10759	5.020
SP1648	0.033	SP1838CG	14.800	SP2079	2.041	VS10229	3.902	VS10760	4.666
SP1649	0.033	SP1838CG	14.924	SP2089	11.561	VS10230	3.920	VS10812	2.052
SP1649	0.553	SP1838CJ	14.800	SP2090	2.277	VS10231	3.922	VS10813	2.108
SP1650	0.269	SP1838CJ	14.924	SP2091	9.779	VS10232	3.922	VS10815	2.086
SP1652	0.033	SP1838CJ	15.024	SP2093	11.561	VS10233	3.921	VS10816	2.087
SP1657	1.762	SP1838DA	14.800	SP2094	4.311	VS10234	3.921	VS10817	2.087
SP1665	5.545	SP1838DA	14.924	SP2103	4.038	VS10236	3.925	VS10818	2.087
SP1672	0.679	SP1838DB	14.800	SP2104	4.038	VS10237	3.927	VS10819	2.087
SP1691	2.697	SP1838DB	14.924	SP2113	6.521	VS10238	3.927	VS10820	2.087
SP1701	9.779	SP1838DC	14.800	SP2129	7.370	VS10239	3.902	VS10821	2.087
SP1708	5.387	SP1838DC	14.924	SP2130	2.681	VS10241	3.929	VS10822	2.100
SP1710	8.154	SP1838DD	15.024	SP2141	4.105	VS10242	3.904	VS10823	2.100
SP1710	9.127	SP1838DE	14.800	SP2145	8.075	VS10243	3.906	VS10824	2.100
SP1724	3.910	SP1838DE	14.924	SP2154	4.081	VS10245	3.910	VS10826	2.096
SP1730	4.030	SP1838DF	14.800	SP2155	12.967	VS10246	3.901	VS10828	2.083
SP1733	1.266	SP1838DF	14.924	SP2157	6.508	VS10247	3.925	VS10832	2.077
SP1733	2.728	SP1838DG	14.800	SP2162	3.410	VS10248	3.735	VS10841	2.362
SP1734	9.787	SP1838DG	14.924	SP2172	3.003	VS10269	2.389	VS10843	2.362
SP1735	4.826	SP1838DG	15.024	SP2176	12.182	VS10276	10.150	VS10845	2.393
SP1748	12.980	SP1854	9.779	SP2199	2.555	VS10278	10.150	VS10851	2.389
SP1758	1.762	SP1865	9.779	SP2209	10.187	VS10280	10.150	VS10852	2.389
SP1762	9.787	SP1867	2.731	SP2229	9.779	VS10281	10.150	VS10855	2.379
SP1765	4.038	SP1868	1.762	SP2229	14.655	VS10285	10.150	VS10856	2.385
SP1765	15.290	SP1885	4.342	SP2235	4.686	VS10286	10.150	VS10858	2.384
SP1766	0.852	SP1896	10.222	SP2249	2.820	VS10292	10.150	VS10861	2.385
SP1768	2.822	SP1900	2.679	SP2256	14.655	VS10297	10.150	VS10863	2.385
SP1774	3.003	SP1905	8.798	SP2280	9.169	VS10305	2.400	VS10864	4.342
SP1774	3.202	SP1906	2.100	SP2284	10.187	VS10306	2.381	VS10866	2.367
SP1779	8.798	SP1909	3.202	SP2288	4.685	VS10369	5.517	VS10868	2.368
SP1788	8.798	SP1909	4.685	SP2307	2.515	VS10370	5.542	VS10869	2.410
SP1795	0.929	SP1912	6.008	SP2319	2.188	VS10371	5.511	VS10877	3.731
SP1796	3.260	SP1912	6.508	SP2334	2.892	VS10372	5.518	VS10886	5.510
SP1801	2.589	SP1917	6.008	SP2338	7.633	VS10373	5.511	VS10887	3.754
SP1825	0.921	SP1919	3.410	SP2341	2.895	VS10374	5.543	VS10923	2.515
SP1825	4.662	SP1947	4.019	SP2398	8.112	VS10375	5.543	VS10924	2.515
SP1836	4.685	SP1948	2.830	SP2409	0.206	VS10392	5.510	VS10925	2.515
SP1838BA	14.800	SP1961	4.038	SP2416	9.779	VS10393	5.527	VS10926	2.515
SP1838BA	14.924	SP1963	10.606	SP2417	12.955	VS10394	3.909	VS10927	2.515
SP1838BA	15.024	SP1982	2.596	SP2427	4.038	VS10398	3.913	VS10928	2.515
SP1838BB	14.800	SP1986	10.160	SP2427	10.829	VS10432	3.755	VS10929	2.515
SP1838BB	14.924	SP1989	7.370	SP2430	1.269	VS10469	3.757	VS10930	2.515
SP1838BB	15.024	SP1991	10.829	SP2430	7.870	VS10475	3.725	VS10931	2.515
SP1838BD	14.800	SP1994	4.902	SP2432	1.269	VS10476	3.724	VS10933	2.515
SP1838BD	14.924	SP2017	4.591	SP2452	5.382	VS10496	3.806	VS10935	2.515
SP1838BD	15.024	SP2018	2.895	SP2458	4.081	VS10556	10.150	VS10937	2.515
SP1838BE	14.800	SP2019	4.591	SP2458	12.982	VS10557	10.150	VS10938	2.515
SP1838BE	14.924	SP2027	2.275	SP2468	3.265	VS10560	10.150	VS10939	2.515
SP1838BE	15.024	SP2027	2.317	SP2469	3.265	VS10562	10.150	VS10940	2.515
SP1838BG	14.800	SP2028	1.652	SP2470	3.265	VS10574	4.907	VS10942	2.515
SP1838BG	14.924	SP2029	4.003	SP2485	10.187	VS10575	4.907	VS10943	2.515
SP1838BH	15.024	SP2035	4.081	SP2486	2.585	VS10576	4.907	VS10950	4.654
SP1838BT	14.800	SP2036	4.081	SP2486	2.679	VS10577	4.903	VS10952	4.654
SP1838BT	14.924	SP2040	1.069	SP2487	2.679	VS10578	4.907	VS10953	4.649
SP1838BT	15.024	SP2040	2.317	SP2488	8.798	VS10579	4.908	VS10954	4.657
SP1838BU	14.800	SP2050	8.075	SP2494	3.265	VS10580	4.907	VS10955	4.651
SP1838BU	14.924	SP2053	4.591	SP2523	0.659	VS10604	5.548	VS10956	4.651
SP1838BU	15.024	SP2055	9.169	VS10185	3.754	VS10609	5.555	VS10957	4.651

HOLDEN "LJ" PARTS CATALOGUE

PART No.	GROUP	PART No.	GROUP	PART No.	GROUP	PART No.	GROUP	PART No.	GROUP
VS10960	4.649	VS11252	2.515	VS11771	2.307	VS12013	2.384	VS12191	3.727
VS10962	4.654	VS11253	2.515	VS11773	2.298	VS12014	2.310	VS12192	3.727
VS10965	9.648	VS11254	2.515	VS11776	2.297	VS12015	2.305	VS12193	2.381
VS10966	9.648	VS11255	2.515	VS11788	10.146	VS12016	2.279	VS12209	2.170
VS10967	9.648	VS11256	2.515	VS11789	4.686	VS12019	2.289	VS12218	3.803
VS10968	9.648	VS11257	2.515	VS11795	3.793	VS12020	2.289	VS12219	3.804
VS10969	9.648	VS11258	2.515	VS11797	3.795	VS12021	2.297	VS12220	3.807
VS10970	9.648	VS11259	2.515	VS11799	3.789	VS12022	2.291	VS12221	3.807
VS10971	2.049	VS11260	2.515	VS11800	3.792	VS12023	2.285	VS12223	3.807
VS10975	4.908	VS11261	2.515	VS11801	3.764	VS12024	2.286	VS12224	3.807
VS10982	2.393	VS11262	2.515	VS11802	3.764	VS12025	2.289	VS12225	3.729
VS10982	2.410	VS11263	2.515	VS11803	3.763	VS12026	2.316	VS12226	3.731
VS10992	2.385	VS11264	2.515	VS11812	3.736	VS12027	2.307	VS12227	3.773
VS11008	5.020	VS11265	2.515	VS11813	3.735	VS12028	2.315	VS12228	3.814
VS11018	5.555	VS11266	2.515	VS11814	3.735	VS12030	2.305	VS12229	3.805
VS11021	5.555	VS11268	2.515	VS11815	3.734	VS12032	2.307	VS12230	3.805
VS11028	4.342	VS11299	9.779	VS11816	3.731	VS12033	2.279	VS12231	3.791
VS11030	4.342	VS11300	9.779	VS11818	3.788	VS12035	2.289	VS12232	3.791
VS11035	4.342	VS11304	5.018	VS11819	2.051	VS12036	2.289	VS12233	3.791
VS11086	2.102	VS11305	10.150	VS11821	2.083	VS12038	2.291	VS12234	3.731
VS11087	2.100	VS11307	3.754	VS11822	2.077	VS12039	2.291	VS12235	3.731
VS11088	2.515	VS11321	3.748	VS11823	2.077	VS12040	2.291	VS12236	3.792
VS11089	2.080	VS11322	3.748	VS11824	2.063	VS12041	2.285	VS12237	3.731
VS11090	2.102	VS11330	9.779	VS11825	2.108	VS12042	2.310	VS12238	3.795
VS11091	2.077	VS11331	9.779	VS11826	2.108	VS12043	2.289	VS12239	3.805
VS11092	2.077	VS11332	9.779	VS11827	2.086	VS12061	3.791	VS12240	3.803
VS11094	2.279	VS11333	9.779	VS11830	2.043	VS12062	3.725	VS12241	3.852
VS11146	2.085	VS11334	9.779	VS11831	2.100	VS12063	3.725	VS12243	3.852
VS11160	4.907	VS11336	9.779	VS11838	2.049	VS12065	3.748	VS12244	3.852
VS11161	4.907	VS11337	9.779	VS11844	10.150	VS12066	3.748	VS12245	3.852
VS11175	4.907	VS11338	9.779	VS11845	10.150	VS12068	3.727	VS12246	3.731
VS11182	3.760	VS11340	9.779	VS11848	10.150	VS12069	3.727	VS12247	3.731
VS11186	3.803	VS11341	9.779	VS11851	10.150	VS12070	3.752	VS12248	3.767
VS11187	2.515	VS11342	9.779	VS11858	10.150	VS12071	3.757	VS12249	3.725
VS11188	2.515	VS11344	9.779	VS11859	10.150	VS12072	3.725	VS12251	10.150
VS11189	2.515	VS11345	9.779	VS11871	2.067	VS12073	3.754	VS12252	10.150
VS11190	2.515	VS11346	9.779	VS11872	2.087	VS12074	3.754	VS12253	10.150
VS11191	2.515	VS11347	9.779	VS11873	2.087	VS12075	3.754	VS12254	10.150
VS11192	6.803	VS11348	9.779	VS11874	2.083	VS12076	3.727	VS12255	10.150
VS11193	6.803	VS11349	9.779	VS11875	2.051	VS12077	3.727	VS12256	10.150
VS11194	6.525	VS11350	9.779	VS11876	2.052	VS12080	2.049	VS12259	9.779
VS11195	6.524	VS11351	9.779	VS11877	2.053	VS12081	2.077	VS12273	3.754
VS11196	6.524	VS11352	9.779	VS11878	2.052	VS12082	3.725	VS12295	2.515
VS11197	6.235	VS11355	4.907	VS11879	2.108	VS12084	2.307	VS12298	2.515
VS11199	6.235	VS11358	4.908	VS11880	2.043	VS12085	2.307	VS12299	2.515
VS11202	6.525	VS11434	2.410	VS11881	2.087	VS12091	2.289	VS12300	2.515
VS11203	6.807	VS11435	2.381	VS11882	2.087	VS12092	2.307	VS12301	2.515
VS11205	6.255	VS11438	4.342	VS11883	2.085	VS12096	4.265	VS12302	2.515
VS11206	6.809	VS11439	4.342	VS11884	2.049	VS12115	3.754	VS12303	2.515
VS11207	6.809	VS11648	3.754	VS11885	2.101	VS12116	3.752	VS12305	2.515
VS11208	6.809	VS11649	3.754	VS11886	2.077	VS12117	3.754	VS12306	2.515
VS11209	6.809	VS11653	10.150	VS11955	10.150	VS12121	3.795	VS12307	2.515
VS11210	6.809	VS11654	10.150	VS11957	10.150	VS12122	3.729	VS12308	2.515
VS11211	6.809	VS11655	10.150	VS11961	9.779	VS12154	3.735	VS12309	2.515
VS11212	6.809	VS11656	10.150	VS11964	2.043	VS12156	2.389	VS12315	5.020
VS11213	6.807	VS11660	6.233	VS11969	2.108	VS12157	2.381	VS12319	2.305
VS11214	6.524	VS11661	6.233	VS11970	2.052	VS12158	2.385	VS12320	2.307
VS11215	6.524	VS11685	4.902	VS11971	2.063	VS12172	9.779	VS12321	2.279
VS11216	6.235	VS11688	3.724	VS11973	2.102	VS12173	9.779	VS12322	2.297
VS11217	6.234	VS11736	6.525	VS11979	6.230	VS12174	9.779	VS12323	2.289
VS11218	6.234	VS11737	2.389	VS11980	6.230	VS12185	3.725	VS12324	2.289
VS11219	6.803	VS11738	2.389	VS11981	6.255	VS12186	3.725	VS12326	2.291
VS11220	6.525	VS11763	2.316	VS11982	6.255	VS12187	3.754	VS12327	2.285
VS11221	6.524	VS11765	2.280	VS11983	6.255	VS12188	3.757	VS12328	2.310
VS11247	10.150	VS11767	2.306	VS11984	6.255	VS12189	3.727	VS12330	2.279
VS11251	2.515	VS11768	2.307	VS12012	2.381	VS12190	3.727	VS12338	2.305

HOLDEN "LJ" PARTS CATALOGUE

PART No.	GROUP	PART No.	GROUP	PART No.	GROUP	PART No.	GROUP	PART No.	GROUP
VS12339	2.297	VS12642	3.752	348402	5.387	718938	4.383	1025707	0.787
VS12340	2.410	VS12700	2.305	354894	4.205	720091	4.412	1032572	2.051
VS12342	2.381	VS12702	2.297	355827	3.275	720092	4.412	1033197	0.310
VS12343	2.381	VS12703	2.291	412562	0.649	720093	4.412	1036274	0.206
VS12344	2.389	VS12704	2.307	444710	4.103	720094	4.412	1037542	4.422
VS12345	2.372	VS12705	2.316	444782	1.928	720178	4.352	1038079	0.027
VS12346	2.400	VS12706	2.289	444819	0.033	722027	4.337	1038079	4.081
VS12347	2.362	VS12708	2.307	444819	3.265	722151	4.337	1039278	3.521
VS12348	2.362	VS12743	2.515	445536	6.008	722276	4.337	1039278	12.803
VS12351	2.389	41T	2.270	447144	3.288	724186	4.317	1039359	3.729
VS12352	2.385	41TS	2.270	453570	4.226	724512	4.317	1039374	3.806
VS12353	2.374	42TS	2.270	453571	4.265	724532	4.318	1041602	3.760
VS12355	3.731	42XLS	2.270	453670	5.518	724550	4.338	1046049	5.110
VS12356	3.731	43T	2.270	453675	0.033	724551	4.338	1048975	4.356
VS12357	3.791	44T	2.270	454512	2.379	724752	4.104	1373122	4.337
VS12358	3.731	45T	2.270	454864	5.510	724800	4.337	1374446	6.760
VS12359	2.515	90	3.601	455490	11.960	730116	4.105	1516054	2.589
VS12360	2.515	432F	2.332	455919	0.736	730890	4.109	1521708	3.931
VS12369	2.515	441D	2.332	476737	4.681	732035	4.309	1521953	3.913
VS12460	3.748	541CG	15.100	476737	4.826	732082	4.309	1521985	3.902
VS12465	3.807	32353	10.550	513975	1.453	732129	4.309	1522046	3.922
VS12466	3.725	32596	10.550	513975	2.697	732189	4.314	1522199	3.925
VS12467	3.725	32652	10.550	513975	4.195	732195	4.316	1523093	3.920
VS12468	3.724	44623	2.372	516228	4.595	732196	4.315	1523094	3.903
VS12470	3.765	81221	10.550	591022	4.358	732231	4.313	1523099	3.929
VS12471	3.748	104916	4.428	591150	4.357	732252	4.316	1524088	3.927
VS12472	3.754	104916	4.433	599119	2.424	732282	4.308	1524112	3.921
VS12473	3.754	104918	4.428	599119	3.202	732311	4.316	1524261	3.902
VS12475	3.749	104918	4.433	599119	4.685	732375	4.301	1524280	3.920
VS12476	3.749	104919	4.108	601063	10.550	734032	4.304	1524507	3.925
VS12477	3.748	104919	4.311	601260	2.188	734133	4.384	1524593	3.902
VS12486	3.727	106285	5.400	601260	10.550	734134	4.303	1524994	3.901
VS12487	3.727	113897	4.103	601261	2.188	734183	4.303	1524998	3.901
VS12488	3.731	113897	5.400	601261	10.550	734184	4.384	1531893	1.837
VS12489	3.741	114468	4.226	601846	2.188	734360	4.311	1533539	1.762
VS12490	3.729	115308	3.275	606553	4.103	734364	4.316	1533669	1.762
VS12491	3.734	115548	3.731	668534	0.804	734576	4.311	1572364	1.246
VS12492	3.731	115548	3.791	668601	0.805	734604	4.311	1572389	1.246
VS12505	3.767	120487	1.762	702079	4.103	761175	4.301	1846722	2.895
VS12506	3.767	120488	1.762	702288	4.004	761325	4.301	1928111	2.393
VS12507	3.752	121801	3.852	704025	4.430	811735	2.367	1945369	2.382
VS12519	2.515	121812	0.413	706015	4.433	816784	2.387	1945756	2.368
VS12522	2.515	122017	4.019	708084	4.421	819639	2.364	1954560	2.385
VS12524	2.515	126166	3.202	708286	4.423	820445	2.382	1964784	2.895
VS12525	2.515	131954	2.385	710021	4.428	838029	0.310	1964785	2.895
VS12526	2.515	131954	2.393	712074	4.351	838538	0.033	1965843	2.388
VS12532	2.297	141216	0.033	712201	4.423	850559	1.203	1967685	2.895
VS12536	2.500	142452	2.679	714011	4.355	855493	3.910	1997037	2.459
VS12568	2.108	142456	2.679	714275	4.337	856035	3.921	2018053	4.105
VS12569	2.043	144531	3.410	714275	4.376	856927	3.922	2018107	4.317
VS12570	2.049	147481	4.265	714302	4.370	856939	3.921	2060726	4.103
VS12571	2.108	147489	4.311	716045	4.403	856961	3.931	2076510	4.376
VS12572	2.087	180081	2.275	716104	4.419	858388	2.447	2080228	4.019
VS12573	2.108	180081	2.317	716251	4.353	858388	2.697	2080733	4.301
VS12574	2.086	181385	5.400	716350	4.419	858388	4.054	2080802	4.019
VS12575	2.085	192208	4.006	718061	4.380	900700	5.855	2086000	4.303
VS12576	2.087	272733	8.132	718061	4.417	994259	9.675	2086000	4.304
VS12578	2.100	272733	12.112	718289	4.415	1010078	3.734	2086000	4.308
VS12579	2.080	272733	12.114	718340	4.418	1014378	4.103	2086000	4.314
VS12580	2.100	272733	12.116	718386	4.380	1016860	3.806	2086000	4.315
VS12598	5.527	272846	1.762	718386	4.385	1018694	2.370	2088001	4.337
VS12604	5.510	272846	4.931	718627	4.395	1019000	3.734	2088003	4.428
VS12608	2.515	273709	0.033	718753	4.385	1020499	3.791	2088003	4.433
VS12609	2.515	273939	0.666	718909	4.383	1023159	3.793	2088004	4.311
VS12624	2.515	345423	0.669	718913	4.383	1023160	3.793	2680491	0.094
VS12641	3.757	346331	3.430	718937	4.383	1023366	11.925	2680492	0.094

HOLDEN "LJ" PARTS CATALOGUE

PART No.	GROUP	PART No.	GROUP	PART No.	GROUP	PART No.	GROUP	PART No.	GROUP
2680493	0.094	2687339	7.370	2697264	4.380	2710410	4.351	2805450	10.710
2680494	0.094	2688574	4.685	2697265	4.380	2710515	5.531	2805451	10.710
2680504	3.792	2688594	3.731	2697270	4.403	2710734	0.726	2805456	10.741
2680505	3.783	2688596	3.735	2697487	0.861	2714016	0.686	2805457	10.741
2680510	3.791	2688865	0.269	2697489	0.886	2716541	0.289	2805476	1.266
2680512	3.796	2688888	0.033	2697856	0.033	2716542	0.289	2805478	3.001
2680513	3.796	2689300	4.109	2697857	0.033	2716696	2.051	2805499	4.009
2680514	3.796	2690013	6.168	2697908	3.725	2716697	2.067	2805507	12.982
2680516	3.796	2690247	0.885	2698298	0.629	2716698	2.108	2805508	12.982
2680517	3.796	2690248	0.863	2698299	0.629	2716699	2.108	2805510	6.164
2680518	3.796	2690249	0.866	2698300	0.629	2716700	2.086	2805523	5.001
2680519	3.796	2690250	0.865	2699574	4.006	2716701	2.085	2805524	5.001
2680520	3.796	2690295	5.020	2699583	4.006	2716702	2.077	2805541	12.956
2680521	3.796	2690298	3.763	2699587	4.006	2716703	2.043	2805542	12.956
2680522	3.782	2690306	4.665	2700055	0.033	2716704	2.049	2805543	10.827
2680582	1.071	2690307	4.665	2700061	3.270	2716705	2.100	2805544	10.827
2680584	2.049	2690323	4.685	2700083	0.303	2716706	2.100	2805545	5.001
2680607	0.629	2690325	5.026	2700132	1.516	2716707	2.077	2805546	5.001
2680674	3.752	2690326	5.110	2702168	4.685	2716708	2.083	2805551	11.595
2680687	3.792	2690327	4.668	2702179	2.083	2716709	2.080	2805571	3.029
2680688	3.731	2690328	4.669	2702180	2.043	2716730	3.778	2805574	12.982
2680689	3.791	2690421	0.001	2702182	2.067	2805001	4.020	2805586	11.377
2680714	3.795	2690756	4.408	2702183	2.085	2805003	4.020	2805633	11.377
2680723	3.793	2690774	4.355	2702225	3.754	2805005	4.020	2805678	11.377
2680724	3.791	2691720	4.685	2702239	3.773	2805006	4.019	2805681	2.198
2680725	3.799	2691721	4.685	2702273	5.017	2805021	3.028	2805687	10.694
2680726	3.731	2691787	0.033	2702275	5.018	2805053	6.103	2805688	10.694
2680767	0.885	2692073	3.611	2702276	3.731	2805054	6.103	2805710	12.237
2680769	0.865	2692504	5.382	2702328	0.001	2805057	4.133	2805714	12.966
2680770	0.863	2692522	4.009	2702373	5.504	2805059	4.133	2805717	6.364
2680771	0.866	2692665	0.666	2702477	0.629	2805062	7.241	2805728	6.164
2680850	4.665	2693326	4.430	2703337	3.725	2805074	4.019	2805732	4.685
2680851	4.665	2693330	2.697	2703338	3.725	2805074	4.040	2805733	12.934
2680852	4.665	2693339	6.307	2703411	3.601	2805135	4.128	2805734	12.934
2680853	4.668	2693409	0.683	2703419	1.426	2805136	4.128	2805736	12.934
2680854	4.667	2693440	0.269	2705554	3.201	2805204	12.942	2805739	12.934
2680855	4.665	2693447	1.516	2705612	3.260	2805205	2.586	2805743	12.980
2681402	0.289	2693455	0.033	2705613	3.260	2805207	4.019	2805744	12.980
2681480	0.669	2693456	0.033	2706390	0.033	2805207	4.020	2805769	11.628
2681631	2.041	2693784	1.064	2706392	0.033	2805207	4.040	2805771	11.629
2682098	5.545	2694402	7.545	2706401	0.033	2805208	1.219	2805772	11.629
2682100	5.529	2694409	4.015	2706402	0.629	2805211	1.159	2805773	11.629
2682101	5.529	2694482	4.003	2706403	0.629	2805223	12.491	2805777	8.015
2682103	5.387	2694516	5.510	2706404	0.629	2805224	12.491	2805778	8.015
2682170	5.546	2694518	5.526	2706994	5.382	2805256	2.728	2805779	8.130
2682224	4.015	2694519	5.528	2706999	5.382	2805257	2.728	2805780	8.130
2682240	4.428	2694520	5.517	2707765	1.762	2805283	8.036	2805788	12.940
2682297	4.317	2694521	4.421	2707768	0.033	2805286	12.248	2805789	12.940
2682298	4.020	2694522	4.418	2707769	0.629	2805289	12.116	2805790	12.984
2682427	5.453	2694523	5.542	2707770	0.629	2805290	12.116	2805791	12.984
2684678	1.064	2694525	5.518	2707773	0.033	2805291	12.116	2805794	0.423
2684725	1.928	2694527	5.543	2707774	0.033	2805292	12.116	2805795	0.443
2684857	0.649	2694528	5.543	2707822	0.662	2805300	12.491	2805803	12.804
2684858	0.646	2694529	5.543	2707870	2.041	2805301	12.491	2805821	15.224
2684897	1.153	2694530	5.543	2707882	4.317	2805302	12.982	2805827	8.130
2684900	0.269	2694531	5.543	2708584	0.100	2805340	12.982	2805828	8.130
2684918	0.646	2694532	5.543	2708695	0.861	2805381	6.008	2805839	6.008
2684923	0.646	2694533	5.543	2708696	0.886	2805393	10.829	2805840	6.008
2685043	0.297	2694534	4.428	2708699	0.886	2805394	10.829	2805851	3.163
2685044	0.297	2694797	0.666	2709545	3.754	2805399	5.001	2805852	3.158
2685045	0.297	2694799	0.289	2709546	3.752	2805400	5.001	2805853	3.158
2685046	0.297	2694842	3.726	2709547	3.806	2805408	1.265	2805877	12.804
2686706	4.205	2696256	3.795	2709558	3.731	2805414	11.561	2805897	8.036
2687326	5.469	2696282	2.100	2709800	5.020	2805415	11.561	2805906	12.811
2687336	4.020	2696359	4.670	2709842	2.239	2805420	11.561	2805907	12.811
2687339	6.008	2696488	3.725	2709879	4.667	2805421	11.561	2805908	12.811

HOLDEN "LJ" PARTS CATALOGUE

PART No.	GROUP	PART No.	GROUP	PART No.	GROUP	PART No.	GROUP	PART No.	GROUP
2805909	12.811	2806244BD	15.024	2806679	4.128	2807186	9.648	2808011DE	15.306
2805910	12.811	2806244BE	15.024	2806685	1.263	2807188	9.648	2808011DG	15.306
2805911	12.811	2806244BH	15.024	2806691	0.413	2807189	9.648	2808108	4.019
2805912	12.971	2806244BT	15.024	2806710	10.473	2807232	10.527	2808110	4.020
2805913	12.971	2806244BU	15.024	2806711	10.473	2807233	10.527	2808121	8.112
2805918	11.011	2806244CE	15.024	2806718	3.609	2807234	10.527	2808124	5.510
2805919	11.011	2806244CJ	15.024	2806725	12.984	2807264	8.154	2808127	4.046
2805941	12.971	2806244DD	15.024	2806726	12.984	2807265	8.153	2808133	3.731
2805942	12.971	2806244DG	15.024	2806751	12.942	2807266	8.153	2808181	2.239
2805945	0.787	2806246	12.982	2806807	9.786	2807276	12.112	2808186	1.064
2805949	3.003	2806276	12.941	2806807	12.803	2807277	12.112	2808189	1.062
2805952	3.003	2806277	12.941	2806810	11.589	2807278	12.112	2808231	12.934
2805953	3.008	2806289	2.239	2806816	12.803	2807279	12.112	2808232	12.934
2805955	11.007	2806296	7.836	2806834	4.081	2807280	12.116	2808235	12.956
2805956	11.007	2806297	7.836	2806835	4.081	2807294	9.787	2808236	12.956
2805970	3.430	2806353	12.075	2806839	4.901	2807310	9.648	2808258	9.640
2805973	8.153	2806354	12.075	2806840	4.901	2807322	3.158	2808284	2.515
2805974	8.153	2806355	12.075	2806845	0.852	2807323	4.610	2808285	2.515
2805979	12.237	2806356	12.075	2806847	10.260	2807323	11.950	2808286	2.515
2805980	12.982	2806357	12.075	2806848	12.944	2807323	11.960	2808287	2.515
2806009	12.982	2806358	12.075	2806849	12.944	2807324	4.610	2808367	1.069
2806018	5.382	2806359	12.075	2806862	4.040	2807324	11.950	2808415	4.681
2806019	5.382	2806360	12.075	2806863	4.040	2807324	11.960	2808417	9.779
2806032	4.019	2806410	10.529	2806864	4.040	2807325	4.610	2808418	9.779
2806032	4.020	2806420	6.524	2806911	10.529	2807325	11.950	2808553	4.003
2806033	4.019	2806428	4.826	2806912	10.529	2807325	11.960	2808559	3.430
2806033	4.020	2806429	4.826	2806916	10.529	2807349	12.116	2808560	3.430
2806035	11.006	2806438	8.075	2806917	10.529	2807350	12.116	2808604	9.620
2806036	11.006	2806446	12.181	2806925	12.895	2807438	12.114	2808643	2.810
2806043	11.561	2806448	9.787	2806926	12.895	2807439	12.114	2808655	5.812
2806044	11.561	2806451	4.081	2806946	12.895	2807445	4.081	2808656	5.813
2806046	5.382	2806453	3.609	2806947	12.895	2807707	4.019	2808670	12.966
2806047	5.382	2806456	10.529	2806973	4.662	2807823	2.342	2808750	4.685
2806050	1.270	2806464	10.307	2806973	4.765	2807897	4.017	2808752	4.685
2806051	4.625	2806464	12.803	2806974	4.765	2807955	9.779	2808753	4.685
2806059	4.658	2806465	7.836	2806975	4.764	2807959	9.779	2808754	4.685
2806061	4.901	2806466	7.836	2806976	12.980	2807962	9.779	2808757	4.681
2806063	4.628	2806467	7.836	2806977	2.342	2807964	9.779	2808760	6.307
2806064	4.659	2806468	7.836	2806978	2.341	2808010BA	15.306	2808761	6.307
2806065	4.901	2806505	4.019	2806979	4.828	2808010BB	15.306	2808766	4.681
2806067	4.658	2806507	4.019	2806980	4.828	2808010BD	15.306	2808767	4.681
2806068	4.628	2806518	4.054	2806981	4.829	2808010BE	15.306	2808874	15.520
2806070	11.006	2806520	4.040	2806982	4.829	2808010BH	15.306	2808874BA	15.520
2806071	11.006	2806523	4.041	2806983	4.826	2808010BT	15.306	2808874BB	15.520
2806076	10.998	2806525	9.786	2806984	4.826	2808010BU	15.306	2808874BD	15.520
2806077	10.998	2806525	12.803	2807005	9.743	2808010CB	15.306	2808874BE	15.520
2806078	10.998	2806528	9.786	2807045	12.269	2808010CD	15.306	2808874BG	15.520
2806079	10.998	2806529	12.803	2807051	10.529	2808010CE	15.306	2808874BT	15.520
2806080	10.998	2806530	12.803	2807062	11.376	2808010CJ	15.306	2808874BU	15.520
2806097	10.759	2806538	10.470	2807067	11.006	2808010DA	15.306	2808874CA	15.520
2806098	10.759	2806539	10.470	2807068	11.006	2808010DB	15.306	2808874CB	15.520
2806103	10.695	2806548	8.112	2807098	5.382	2808010DD	15.306	2808874CD	15.520
2806104	10.695	2806549	10.500	2807098	6.170	2808010DE	15.306	2808874CG	15.520
2806105	10.695	2806550	10.500	2807102	0.830	2808010DG	15.306	2808874CJ	15.520
2806106	12.184	2806552	3.609	2807106	0.848	2808011BA	15.306	2808874DA	15.520
2806107	12.184	2806554	10.563	2807108	0.852	2808011BB	15.306	2808874DB	15.520
2806116	12.187	2806601	12.895	2807113	0.852	2808011BD	15.306	2808874DC	15.520
2806117	12.187	2806602	12.895	2807114	0.839	2808011BH	15.306	2808874DE	15.520
2806228	1.270	2806603	10.529	2807116	0.844	2808011BT	15.306	2808874DF	15.520
2806231	2.274	2806610	11.960	2807117	4.040	2808011BU	15.306	2808874DG	15.520
2806239	12.913	2806613	10.263	2807122	2.333	2808011CB	15.306	2808875BA	15.520
2806240	12.913	2806626	12.941	2807141	10.538	2808011CE	15.306	2808875BB	15.520
2806241	10.822	2806627	12.941	2807154	5.804	2808011CJ	15.306	2808875BD	15.520
2806242	10.822	2806644	12.971	2807183	9.648	2808011DA	15.306	2808875BE	15.520
2806244BA	15.024	2806652	8.153	2807184	9.648	2808011DB	15.306	2808875BG	15.520
2806244BB	15.024	2806678	4.128	2807185	9.648	2808011DD	15.306	2808875BT	15.520

HOLDEN "LJ" PARTS CATALOGUE

PART No.	GROUP	PART No.	GROUP	PART No.	GROUP	PART No.	GROUP	PART No.	GROUP
2808875CA	15.520	2809617	7.632	2810231BD	15.306	2810501DA	14.640	2811156	3.003
2808875CB	15.520	2809646	15.002	2810231BE	15.306	2810501DB	14.640	2811164	6.524
2808875CD	15.520	2809647	3.430	2810231BH	15.306	2810501DC	14.640	2811193	1.066
2808875CE	15.520	2809727	4.304	2810231BT	15.306	2810501DE	14.640	2811196	4.005
2808875CG	15.520	2809787	15.294	2810231BU	15.306	2810501DF	14.640	2811197	4.127
2808875CJ	15.520	2809826	2.277	2810231CB	15.306	2810501DG	14.640	2811208	4.009
2808875DA	15.520	2809829	2.317	2810231CD	15.306	2810503	12.182	2811214	0.861
2808875DB	15.520	2809830	2.317	2810231CE	15.306	2810504	14.691	2811219	8.153
2808875DC	15.520	2809857E	1.219	2810231CJ	15.306	2810518	3.003	2811299	1.159
2808875DE	15.520	2809865	15.036	2810231DA	15.306	2810532	6.761	2811302	0.924
2808875DF	15.520	2809866	15.036	2810231DB	15.306	2810535	10.027	2811327	4.030
2808875DG	15.520	2809932	3.003	2810231DD	15.306	2810537	4.265	2811328	4.030
2808877BA	15.520	2809934	4.279	2810231DE	15.306	2810538	4.265	2811329	4.030
2808877BB	15.520	2810006	6.008	2810231DG	15.306	2810543	3.003	2811341	4.019
2808877BD	15.520	2810007	6.008	2810250	2.361	2810692	0.289	2811354	0.646
2808877BE	15.520	2810048	12.972	2810251	2.481	2810715	5.504	2811370	0.646
2808877BG	15.520	2810081	2.361	2810269	4.828	2810716	5.504	2811372	0.679
2808877BT	15.520	2810100	4.019	2810270	4.828	2810735	4.019	2811375	10.219
2808877BU	15.520	2810101	4.020	2810274	4.826	2810736	4.041	2811376	10.219
2808877CA	15.520	2810102	3.430	2810289	3.430	2810738	4.007	2811439	4.639
2808877CB	15.520	2810107	3.430	2810309	4.625	2810747	12.116	2811517	3.028
2808877CD	15.520	2810111	3.451	2810312	4.625	2810750	6.508	2811578	9.743
2808877CE	15.520	2810112	8.153	2810319	3.704	2810753	4.901	2811579	9.743
2808877CG	15.520	2810114	0.833	2810325BA	15.306	2810758	9.779	2811580	9.743
2808877CJ	15.520	2810114	4.627	2810325BB	15.306	2810768BA	9.743	2811586	0.830
2808877DA	15.520	2810115	0.918	2810325BD	15.306	2810768CE	9.743	2811586	4.625
2808877DB	15.520	2810116	0.830	2810325BE	15.306	2810768CJ	9.743	2811588	4.020
2808877DC	15.520	2810118	0.847	2810325BH	15.306	2810768DD	9.743	2811589	4.019
2808877DE	15.520	2810217CY	12.810	2810325BT	15.306	2810768DG	9.743	2811591	4.006
2808877DF	15.520	2810217DC	12.810	2810325BU	15.306	2810778	5.382	2811592	4.020
2808877DG	15.520	2810217DE	12.810	2810325CB	15.306	2810804	9.779	2811593	4.019
2808881	4.016	2810217DF	12.810	2810325CD	15.306	2810862	10.307	2811594	4.046
2808885	4.006	2810217DG	12.810	2810325CE	15.306	2810862	12.803	2811596	4.019
2808893	12.956	2810225BA	15.306	2810325CJ	15.306	2810872	4.019	2811597	4.050
2808894	12.956	2810225BB	15.306	2810325DA	15.306	2810873	10.506	2811605	4.050
2808953	3.430	2810225BD	15.306	2810325DD	15.306	2810874	10.506	2811619BA	14.798
2808973	12.804	2810225BE	15.306	2810325DB	15.306	2810875	10.506	2811619BB	14.798
2809014	5.504	2810225BH	15.306	2810325DE	15.306	2810876	10.506	2811619BD	14.798
2809015	5.504	2810225BT	15.306	2810325DG	15.306	2810877	10.506	2811619BE	14.798
2809115	6.233	2810225BU	15.306	2810353	7.370	2810889	9.786	2811619BT	14.798
2809199	14.860	2810225CB	15.306	2810375	10.027	2810922	10.159	2811619BU	14.798
2809206	4.040	2810225CD	15.306	2810428	6.361	2810923	10.159	2811619CE	14.798
2809219	6.164	2810225CE	15.306	2810429	7.503	2810924	10.159	2811619CJ	14.798
2809290	4.309	2810225CJ	15.306	2810488	1.064	2810925	9.779	2811619DG	14.798
2809297	1.516	2810225DA	15.306	2810498	5.855	2810932	4.003	2811620BA	14.798
2809307	9.779	2810225DB	15.306	2810499	4.226	2810933BB	4.608	2811620BD	14.798
2809346	12.491	2810225DD	15.306	2810500BA	14.640	2810933BD	4.608	2811620BT	14.798
2809347	12.491	2810225DE	15.306	2810500CA	14.640	2810933BE	4.608	2811620CE	14.798
2809350	5.809	2810225DG	15.306	2810500CB	14.640	2810933BG	4.608	2811620CJ	14.798
2809364	0.413	2810230BA	15.306	2810500CD	14.640	2810942	11.377	2811620DD	14.798
2809368	12.955	2810230BD	15.306	2810500CE	14.640	2810943	11.377	2811620DG	14.798
2809369	12.955	2810230BE	15.306	2810500CG	14.640	2810975	5.871	2811621BA	14.798
2809371	12.955	2810230BH	15.306	2810500CJ	14.640	2810989	9.668	2811621BD	14.798
2809372	7.629	2810230BT	15.306	2810500DA	14.640	2810993	12.980	2811621BE	14.798
2809373	7.629	2810230BU	15.306	2810500DB	14.640	2811011	10.695	2811621BG	14.798
2809457	4.412	2810230CB	15.306	2810500DC	14.640	2811014	4.265	2811621BT	14.798
2809464	2.481	2810230CD	15.306	2810500DE	14.640	2811015	4.265	2811621BU	14.798
2809465	5.387	2810230CE	15.306	2810500DF	14.640	2811019	4.625	2811621CE	14.798
2809482	9.648	2810230CJ	15.306	2810500DG	14.640	2811022	4.035	2811622BA	14.798
2809494	11.960	2810230DA	15.306	2810501BA	14.640	2811023	4.035	2811622BB	14.798
2809595	3.609	2810230DB	15.306	2810501CA	14.640	2811024	4.035	2811622BE	14.798
2809596	3.609	2810230DD	15.306	2810501CB	14.640	2811032	4.045	2811622BT	14.798
2809600	4.316	2810230DE	15.306	2810501CD	14.640	2811107	2.810	2811622BU	14.798
2809610	12.805	2810230DG	15.306	2810501CE	14.640	2811108	2.810	2811622CE	14.798
2809612	10.150	2810231BA	15.306	2810501CG	14.640	2811118	12.182	2811622CJ	14.798
2809613	10.159	2810231BB	15.306	2810501CJ	14.640	2811155	3.003	2811624	9.672

HOLDEN "LJ" PARTS CATALOGUE

PART No.	GROUP	PART No.	GROUP	PART No.	GROUP	PART No.	GROUP	PART No.	GROUP
2811629	4.610	2811932	0.426	2812807BB	15.286	2813402	0.629	2814105	4.055
2811647	4.650	2811933	0.429	2812807BD	15.286	2813403	0.629	2814167	9.600
2811648	4.650	2811949BA	15.040	2812807BE	15.286	2813404	0.629	2814245	6.524
2811649	4.650	2811949BB	15.040	2812807BT	15.286	2813405	0.629	2814288	4.265
2811650	4.651	2811949BD	15.040	2812807BU	15.286	2813406	0.629	2814293	4.265
2811651	4.651	2811949BT	15.040	2812807CB	15.286	2813407	0.629	2814294	4.265
2811655	3.704	2811949CE	15.040	2812807CD	15.286	2813441	6.524	2814312	4.265
2811663	8.015	2811949CJ	15.040	2812807CE	15.286	2813466	10.694	2814366	0.852
2811664	8.015	2811949DD	15.040	2812807CJ	15.286	2813467	10.694	2814386	4.041
2811667	8.013	2811949DG	15.040	2812807DA	15.286	2813473	1.219	2814392	2.697
2811668	8.015	2811950BA	15.040	2812807DB	15.286	2813474	1.219	2814394	2.697
2811669	8.015	2811950BB	15.040	2812807DD	15.286	2813475	1.219	2814411	8.798
2811672	12.803	2811950BD	15.040	2812807DE	15.286	2813476	1.219	2814480	4.431
2811673	12.803	2811950BE	15.040	2812807DG	15.286	2813478	1.219	2814481	4.433
2811694	1.159	2811950BG	15.040	2812811	2.188	2813489	4.418	2814483	4.902
2811714	9.620	2811950BT	15.040	2812818	4.081	2813490	4.395	2814539	8.000
2811728BA	14.798	2811950BU	15.040	2812818	12.982	2813491	4.415	2814540	8.000
2811728BB	14.798	2811950CE	15.040	2812819	4.081	2813493	4.403	2814541	12.942
2811728BD	14.798	2811950CJ	15.040	2812819	12.982	2813494	4.351	2814542	12.942
2811728BE	14.798	2811962	4.046	2812834	14.694	2813496	4.421	2814575	6.176
2811728BG	14.798	2811968	4.015	2812835	14.694	2813498	4.430	2814691	6.008
2811728BT	14.798	2811970	4.019	2812836	14.694	2813499	4.430	2814692	6.008
2811728BU	14.798	2811973	4.020	2812837	14.694	2813501	4.311	2814701	2.897
2811728CE	14.798	2811977	4.015	2812838	14.768	2813504	4.317	2814702BA	2.897
2811728CJ	14.798	2812019	4.591	2812839	14.768	2813506	4.303	2814702CE	2.897
2811728DG	14.798	2812042	10.571	2812850	4.825	2813507	4.318	2814702CJ	2.897
2811729BA	14.798	2812082	4.035	2812851	4.825	2813511	4.311	2814702DD	2.897
2811729BB	14.798	2812095	6.163	2812854	4.591	2813513	4.317	2814702DG	2.897
2811729BG	14.798	2812096	6.163	2812857	4.826	2813514	4.309	2814720	11.208
2811729CE	14.798	2812097	6.163	2812858	4.596	2813515	4.380	2814738	0.683
2811729CJ	14.798	2812104	5.816	2812859	4.596	2813517	4.419	2814753	0.206
2811729DD	14.798	2812188	2.485	2812860	4.597	2813519	4.432	2814806	4.030
2811729DG	14.798	2812196	2.824	2812861	4.596	2813520	4.309	2814877	4.212
2811731BB	14.798	2812200	4.035	2812862	4.596	2813521	4.311	2814887	4.019
2811731BD	14.798	2812219	4.045	2812863	4.826	2813522	4.419	2814887	4.020
2811731BE	14.798	2812220	4.045	2812864	4.834	2813525	4.418	2814887	4.030
2811731BG	14.798	2812237	5.809	2812866	4.591	2813527	4.311	2814888	9.779
2811731BT	14.798	2812239	8.085	2812870	4.591	2813553	6.518	2814890	9.779
2811731BU	14.798	2812256	4.016	2812872	4.764	2813557	4.018	2814891	9.779
2811731CE	14.798	2812290	4.019	2812896	3.459	2813559BA	4.009	2814896	3.725
2811731CJ	14.798	2812302	9.600	2812931	4.826	2813559CE	4.009	2814897	9.779
2811731DD	14.798	2812312	4.015	2812940	4.685	2813559CJ	4.009	2814903	9.779
2811731DG	14.798	2812313	4.006	2812941	4.685	2813559DD	4.009	2814903	9.787
2811732BA	14.798	2812319	0.787	2812942	4.685	2813559DG	4.009	2814941	4.010
2811732BB	14.798	2812320	0.787	2812983	4.661	2813564	10.791	2814995	9.600
2811732BD	14.798	2812327	4.610	2812985	4.661	2813565	10.791	2815053	3.725
2811732BE	14.798	2812386	3.725	2813039	12.804	2813566	12.982	2815054	3.725
2811732BG	14.798	2812447	4.040	2813188	1.219	2813580	12.982	2815055	3.725
2811732BT	14.798	2812448	4.041	2813233BA	15.286	2813650	4.081	2815056	3.725
2811732BU	14.798	2812449	4.019	2813233BB	15.286	2813650	12.982	2815057	3.725
2811732CE	14.798	2812450E	1.219	2813233BD	15.286	2813651	4.081	2815059	15.290
2811732CJ	14.798	2812457	7.345	2813233BE	15.286	2813651	12.982	2815062	2.824
2811732DD	14.798	2812484BA	2.830	2813233BH	15.286	2813724	6.524	2815090	4.685
2811732DG	14.798	2812484CE	2.830	2813233BT	15.286	2813778	4.902	2815095	4.901
2811742	6.758	2812484CJ	2.830	2813233BU	15.286	2813779	4.902	2815102	1.659
2811748	4.342	2812591	4.020	2813233CB	15.286	2813814	5.803	2815123	4.007
2811753	3.430	2812592	4.019	2813233CD	15.286	2813815	5.803	2815124	4.019
2811797	4.265	2812593	4.019	2813233CE	15.286	2813820	9.662	2815152	3.430
2811798	4.265	2812607	4.680	2813233DA	15.286	2813894	4.019	2815154	4.681
2811834	12.212	2812678	10.147	2813233DB	15.286	2813992	3.028	2815155	4.681
2811835	9.779	2812699	4.625	2813233DD	15.286	2814002	4.040	2815156	4.685
2811837	8.153	2812760	0.289	2813233DE	15.286	2814004	4.650	2815157	4.685
2811860	12.955	2812767	10.159	2813233DG	15.286	2814009	7.242	2815166BA	14.798
2811922	5.420	2812768	10.159	2813327	3.430	2814047	3.451	2815166BG	14.798
2811924	2.188	2812769	10.159	2813385	2.447	2814075	8.798	2815166CE	14.798
2811931	0.333	2812770	10.159	2813401	0.629	2814090	4.902	2815166CJ	14.798

HOLDEN "LJ" PARTS CATALOGUE

PART No.	GROUP	PART No.	GROUP	PART No.	GROUP	PART No.	GROUP	PART No.	GROUP
2815166DD	14.798	2815378	7.242	2816431	4.158	2817531	2.714	2818137	2.195
2815166DG	14.798	2815460	0.033	2816432	4.158	2817539	10.185	2818141	6.524
2815167BA	15.040	2815462	0.033	2816433	4.158	2817581	0.094	2818142	6.524
2815167BB	15.040	2815464	0.033	2816435	4.177	2817582	0.094	2818207	12.114
2815167BD	15.040	2815465	0.033	2816438	4.177	2817583	0.094	2818208	12.114
2815167BE	15.040	2815497	5.017	2816441	4.177	2817585	0.094	2818209	12.116
2815167BG	15.040	2815499	5.017	2816442	4.177	2817586	0.094	2818210	12.116
2815167BT	15.040	2815501	5.017	2816450	0.333	2817587	0.094	2818211	12.116
2815167BU	15.040	2815502	5.017	2816451	3.158	2817588	0.096	2818212	12.116
2815167CE	15.040	2815505	9.662	2816455	8.132	2817588	0.099	2818213	12.114
2815167CJ	15.040	2815507	9.662	2816455	12.182	2817588	0.101	2818268	4.007
2815167DD	15.040	2815508	9.662	2816483	3.003	2817588	0.103	2818269	4.007
2815167DG	15.040	2815530	0.033	2816485	3.003	2817589	0.096	2818271	4.006
2815168BA	14.798	2815531	0.033	2816486	3.158	2817589	0.099	2818272	4.006
2815168BB	14.798	2815574	3.704	2816491	4.158	2817589	0.101	2818273	6.518
2815168BD	14.798	2815670	3.430	2816504	15.294	2817589	0.103	2818274	6.518
2815168BE	14.798	2815801	3.430	2816554	1.762	2817590	0.096	2818279	4.022
2815168BG	14.798	2815851	2.824	2816555	1.762	2817590	0.099	2818280	4.022
2815168BT	14.798	2815873	2.041	2816556	1.762	2817590	0.101	2818295	4.685
2815168BU	14.798	2815916	3.451	2816569	12.182	2817590	0.103	2818296	4.685
2815168CE	14.798	2815926BA	9.743	2816706	4.205	2817592	0.096	2818298	4.685
2815168CJ	14.798	2815926CE	9.743	2816764	3.163	2817592	0.099	2818299	4.685
2815168DD	14.798	2815926CJ	9.743	2816806	9.779	2817592	0.101	2818300	4.685
2815168DG	14.798	2815926DD	9.743	2816860	4.931	2817592	0.103	2818301	4.685
2815169BA	14.798	2815926DG	9.743	2816880	9.779	2817593	0.096	2818349	10.261
2815169BB	14.798	2815927	2.515	2816881	9.779	2817593	0.099	2818352	10.261
2815169BD	14.798	2815928	2.515	2816882	4.265	2817593	0.101	2818370	4.006
2815169BE	14.798	2815942	3.402	2816883	9.779	2817593	0.103	2818371	4.006
2815169BG	14.798	2815945	3.430	2816888	4.006	2817594	0.096	2818372	4.019
2815169BT	14.798	2815946	3.430	2816892	2.824	2817594	0.099	2818373	4.038
2815169BU	14.798	2815947	3.430	2816914	0.308	2817594	0.101	2818376	4.038
2815169CE	14.798	2815948	3.430	2816950	10.185	2817594	0.103	2818378	4.015
2815169CJ	14.798	2815952	2.555	2816977	11.376	2817595	0.106	2818387	4.685
2815169DD	14.798	2815954	13.090	2816978	11.376	2817596	0.106	2818390	4.103
2815169DG	14.798	2815996	2.333	2816979	11.376	2817597	0.106	2818391	4.103
2815170BA	14.798	2816023	3.430	2816980	14.925	2817599	0.106	2818408	10.268
2815170BB	14.798	2816025	10.351	2816995	3.521	2817600	0.106	2818411	3.273
2815170BD	14.798	2816026	10.351	2816996	3.521	2817601	0.106	2818412	3.273
2815170BE	14.798	2816027	10.351	2816997	3.521	2817627	4.279	2818440	4.685
2815170BG	14.798	2816028	10.351	2816998	3.521	2817631	4.265	2818442	6.233
2815170BT	14.798	2816029	10.373	2816999	3.521	2817632	4.265	2818452	4.006
2815170BU	14.798	2816030	10.373	2817000	3.521	2817633	4.265	2818454	4.015
2815170CE	14.798	2816103	3.609	2817009	1.762	2817634	4.265	2818464	8.132
2815170CJ	14.798	2816106	3.704	2817037	3.521	2817642	4.133	2818505	0.388
2815171BA	15.040	2816107	3.704	2817116	5.809	2817735	4.015	2818510	3.430
2815171BB	15.040	2816112	12.980	2817134	0.269	2817736	4.009	2818511	3.725
2815171BD	15.040	2816146	4.825	2817158	5.441	2817737	4.009	2818580	12.940
2815171BE	15.040	2816152	12.967	2817159	5.441	2817738	5.002	2818581	12.940
2815171BG	15.040	2816161	3.028	2817164	6.513	2817740	8.126	2818612BA	14.685
2815171BT	15.040	2816162	3.003	2817175	12.182	2817772	4.003	2818612CA	14.685
2815171BU	15.040	2816221	3.430	2817224	4.265	2817773	4.003	2818612CD	14.685
2815171CE	15.040	2816222	7.836	2817241	9.600	2817774	4.003	2818612CE	14.685
2815171CJ	15.040	2816223	7.836	2817242	9.600	2817777	4.003	2818612CG	14.685
2815171DD	15.040	2816244	9.779	2817243	9.600	2817778	4.003	2818612CJ	14.685
2815171DG	15.040	2816312	2.822	2817262	8.820	2817779	4.003	2818612CY	14.685
2815178	1.219	2816378BA	2.830	2817326	4.019	2817825	4.342	2818612DB	14.685
2815179	1.219	2816378CE	2.830	2817360	4.294	2817827	4.342	2818612DC	14.685
2815180	1.219	2816378CJ	2.830	2817423	9.648	2817828	4.342	2818612DE	14.685
2815191	9.662	2816378DD	2.830	2817424	9.648	2817874	4.342	2818512DF	14.585
2815193	7.370	2816378DG	2.830	2817425	9.648	2817970	6.761	2818612DG	14.685
2815254	10.230	2816409	1.064	2817426	4.686	2817972	6.761	2818613BA	14.685
2815255	10.230	2816419	4.177	2817431	2.810	2818038	4.256	2818613CA	14.685
2815269	1.429	2816425	4.158	2817455	1.266	2818076	0.033	2818613CD	14.685
2815274	4.680	2816426	4.158	2817488	4.685	2818077	0.033	2818613CE	14.685
2815321	4.686	2816427	4.158	2817489	4.685	2818079	0.033	2818613CG	14.685
2815337	2.697	2816429	4.158	2817496	9.665	2818112	4.265	2818613CJ	14.685

HOLDEN "LJ" PARTS CATALOGUE

PART No.	GROUP	PART No.	GROUP	PART No.	GROUP	PART No.	GROUP	PART No.	GROUP
2818613CY	14.685	2818929	0.519	2819078CG	14.685	2819152	2.275	2819299DB	14.760
2818613DB	14.685	2818937BA	14.685	2819078CJ	14.685	2819155	2.500	2819299DC	14.760
2818613DC	14.685	2818937BW	14.685	2819078CY	14.685	2819167	4.017	2819299DE	14.760
2818613DE	14.685	2818937CK	14.685	2819078DA	14.685	2819173	12.248	2819299DF	14.760
2818613DF	14.685	2818937CL	14.685	2819078DB	14.685	2819187	9.662	2819299DG	14.760
2818613DG	14.685	2818937CM	14.685	2819078DC	14.685	2819193	4.055	2819300BA	14.760
2818636	15.103	2818937CY	14.685	2819078DE	14.685	2819227	8.798	2819300BB	14.760
2818648BA	15.100	2818937DJ	14.685	2819078DF	14.685	2819234BA	15.100	2819300BD	14.760
2818648CA	15.100	2818937DK	14.685	2819078DG	14.685	2819234BB	15.100	2819300BE	14.760
2818648CD	15.100	2818937DL	14.685	2819079BA	14.685	2819234BD	15.100	2819300BG	14.760
2818648CE	15.100	2818937DM	14.685	2819079BB	14.685	2819234BE	15.100	2819300BT	14.760
2818648CG	15.100	2818938BA	14.685	2819079BD	14.685	2819234BG	15.100	2819300BU	14.760
2818648CJ	15.100	2818938BW	14.685	2819079BE	14.685	2819234BT	15.100	2819300CA	14.760
2818648CY	15.100	2818938CK	14.685	2819079BG	14.685	2819234BU	15.100	2819300CB	14.760
2818648DB	15.100	2818938CL	14.685	2819079BT	14.685	2819234CA	15.100	2819300CD	14.760
2818648DC	15.100	2818938CM	14.685	2819079BU	14.685	2819234CB	15.100	2819300CE	14.760
2818648DE	15.100	2818938CY	14.685	2819079CA	14.685	2819234CD	15.100	2819300CG	14.760
2818648DF	15.100	2818938DJ	14.685	2819079CB	14.685	2819234CE	15.100	2819300CJ	14.760
2818648DG	15.100	2818938DK	14.685	2819079CD	14.685	2819234CG	15.100	2819300CY	14.760
2818649BA	15.100	2818938DL	14.685	2819079CE	14.685	2819234CJ	15.100	2819300DA	14.760
2818649CA	15.100	2818938DM	14.685	2819079CG	14.685	2819234CY	15.100	2819300DB	14.760
2818649CD	15.100	2818939BA	15.100	2819079CJ	14.685	2819234DA	15.100	2819300DC	14.760
2818649CE	15.100	2818939BW	15.100	2819079CY	14.685	2819234DB	15.100	2819300DE	14.760
2818649CG	15.100	2818939CK	15.100	2819079DA	14.685	2819234DC	15.100	2819300DF	14.760
2818649CJ	15.100	2818939CL	15.100	2819079DB	14.685	2819234DE	15.100	2819300DG	14.760
2818649CY	15.100	2818939CM	15.100	2819079DC	14.685	2819234DF	15.100	2819301BA	14.760
2818649DB	15.100	2818939CY	15.100	2819079DE	14.685	2819234DG	15.100	2819301CA	14.760
2818649DC	15.100	2818939DJ	15.100	2819079DF	14.685	2819235BA	15.100	2819301CB	14.760
2818649DE	15.100	2818939DK	15.100	2819079DG	14.685	2819235BB	15.100	2819301CD	14.760
2818649DF	15.100	2818939DL	15.100	2819082BA	14.685	2819235BD	15.100	2819301CE	14.760
2818649DG	15.100	2818939DM	15.100	2819082CA	14.685	2819235BE	15.100	2819301CG	14.760
2818700	8.075	2818940BA	15.100	2819082CB	14.685	2819235BG	15.100	2819301CJ	14.760
2818701	8.075	2818940BW	15.100	2819082CD	14.685	2819235BT	15.100	2819301CY	14.760
2818702	8.075	2818940CK	15.100	2819082CE	14.685	2819235BU	15.100	2819301DA	14.760
2818703	8.075	2818940CL	15.100	2819082CG	14.685	2819235CA	15.100	2819301DB	14.760
2818704	8.075	2818940CM	15.100	2819082CJ	14.685	2819235CB	15.100	2819301DC	14.760
2818707	8.132	2818940CY	15.100	2819082CY	14.685	2819235CD	15.100	2819301DE	14.760
2818707	12.182	2818940DJ	15.100	2819082DA	14.685	2819235CE	15.100	2819301DF	14.760
2818746	8.132	2818940DK	15.100	2819082DB	14.685	2819235CG	15.100	2819301DG	14.760
2818767	2.486	2818940DL	15.100	2819082DC	14.685	2819235CJ	15.100	2819302BA	14.760
2818768	8.798	2818940DM	15.100	2819082DE	14.685	2819235CY	15.100	2819302CA	14.760
2818768	10.163	2818958BA	14.655	2819082DF	14.685	2819235DA	15.100	2819302CB	14.760
2818769	9.709	2818958CE	14.655	2819082DG	14.685	2819235DB	15.100	2819302CD	14.760
2818770	9.709	2818958CJ	14.655	2819083BA	14.685	2819235DC	15.100	2819302CE	14.760
2818771	9.709	2818958DD	14.655	2819083CA	14.685	2819235DE	15.100	2819302CG	14.760
2818772	9.709	2818958DG	14.655	2819083CB	14.685	2819235DF	15.100	2819302CJ	14.760
2818790	8.130	2818976	8.079	2819083CD	14.685	2819235DG	15.100	2819302CY	14.760
2818791	8.130	2818977	8.079	2819083CE	14.685	2819245	1.265	2819302DA	14.760
2818792	8.130	2818999	12.803	2819083CG	14.685	2819277	1.265	2819302DB	14.760
2818793	8.130	2819001	4.017	2819083CJ	14.685	2819284	10.550	2819302DC	14.760
2818798	1.270	2819002	1.219	2819083CY	14.685	2819285	10.550	2819302DE	14.760
2818804	3.107	2819012	1.219	2819083DA	14.685	2819299BA	14.760	2819302DF	14.760
2818805	3.107	2819019	2.041	2819083DB	14.685	2819299BB	14.760	2819302DG	14.760
2818806	3.107	2819028	1.265	2819083DC	14.685	2819299BD	14.760	2819306BA	14.685
2818821	4.205	2819029	1.265	2819083DE	14.685	2819299BE	14.760	2819306BB	14.685
2818823	1.270	2819078BA	14.685	2819083DF	14.685	2819299BG	14.760	2819306BD	14.685
2818865	1.266	2819078BD	14.685	2819083DG	14.685	2819299BT	14.760	2819306BE	14.685
2818866	1.266	2819078BE	14.685	2819097BA	10.256	2819299BU	14.760	2819306BG	14.685
2818887	2.515	2819078BG	14.685	2819097CE	10.256	2819299CA	14.760	2819306BT	14.685
2818888	2.515	2819078BT	14.685	2819097CJ	10.256	2819299CB	14.760	2819306BU	14.685
2818889	2.515	2819078BU	14.685	2819097DD	10.256	2819299CD	14.760	2819306CA	14.685
2818890	2.515	2819078CA	14.685	2819097DG	10.256	2819299CE	14.760	2819306CB	14.685
2818891	2.515	2819078CB	14.685	2819098	0.643	2819299CG	14.760	2819306CD	14.685
2818892	2.515	2819078CD	14.685	2819099	0.643	2819299CJ	14.760	2819306CE	14.685
2818926	4.003	2819078CE	14.685	2819100	0.643	2819299CY	14.760	2819306CG	14.685
2818927	4.003			2819101	0.643	2819299DA	14.760	2819306CJ	14.685

NUMERICAL INDEX

HOLDEN "LJ" PARTS CATALOGUE

PART No.	GROUP	PART No.	GROUP	PART No.	GROUP	PART No.	GROUP	PART No.	GROUP
2819306CY	14.685	2819523	0.629	2820207DF	14.685	2820476	3.430	2820662	2.679
2819306DA	14.685	2819524	0.629	2820207DG	14.685	2820479	3.403	2820663	2.679
2819306DB	14.685	2819525	0.629	2820208BA	14.685	2820480	1.064	2820664	2.679
2819306DC	14.685	2819526	0.629	2820208CY	14.685	2820484	9.743	2820665	2.679
2819306DE	14.685	2819527	0.629	2820208DB	14.685	2820504	2.270	2820666	2.682
2819306DF	14.685	2819528	0.629	2820208DE	14.685	2820505	2.270	2820667	2.682
2819306DG	14.685	2819529	0.629	2820208DF	14.685	2820528	4.433	2820668	2.682
2819307BA	14.685	2819530	0.629	2820208DG	14.685	2820529	4.054	2820669	2.682
2819307BB	14.685	2819531	0.629	2820213	4.005	2820532	5.110	2820678	2.277
2819307BD	14.685	2819532	0.629	2820214	4.005	2820533	5.110	2820679	2.317
2819307BE	14.685	2819552	3.521	2820217	14.655	2820540	4.685	2820682	4.030
2819307BG	14.685	2819554BA	14.655	2820229	4.256	2820541	4.685	2820697	4.015
2819307BT	14.685	2819554CE	14.655	2820230	4.256	2820542	4.685	2820698	4.015
2819307BU	14.685	2819554CJ	14.655	2820231	4.256	2820543	4.685	2820720	4.658
2819307CA	14.685	2819554DD	14.655	2820232	4.256	2820559	9.662	2820725	4.902
2819307CB	14.685	2819554DG	14.655	2820248	4.653	2820560	9.662	2820730	4.658
2819307CD	14.685	2819562	11.373	2820254	13.090	2820577	11.015	2820731	4.902
2819307CE	14.685	2819570	12.940	2820255	13.090	2820587	2.682	2820732	4.902
2819307CG	14.685	2819571	12.940	2820256	13.090	2820588	2.682	2820739	1.263
2819307CJ	14.685	2819593	4.205	2820257	13.090	2820590	4.685	2820742	1.270
2819307CY	14.685	2819605	4.054	2820282	2.555	2820591	4.685	2820815	3.265
2819307DA	14.685	2819674	10.002	2820293	4.650	2820597	3.158	2820816	1.251
2819307DB	14.685	2819676	10.002	2820306	2.555	2820599	1.270	2820818	3.265
2819307DC	14.685	2819696	0.643	2820307	2.555	2820601	1.159	2820822	2.812
2819307DE	14.685	2819697	0.643	2820317	5.010	2820608	3.731	2820823	10.187
2819307DF	14.685	2819698	0.643	2820318	5.010	2820610	2.682	2820824	5.441
2819307DG	14.685	2819699	0.643	2820321	5.010	2820614BA	9.743	2820825	5.441
2819315	7.535	2819749	4.038	2820322	5.010	2820614CE	9.743	2820826	4.128
2819373	4.006	2819788	2.728	2820326BA	14.924	2820614CJ	9.743	2820827	4.128
2819374	4.006	2819789	2.728	2820326BB	14.924	2820614DD	9.743	2820828	4.205
2819377	2.041	2819793	10.187	2820326BD	14.924	2820614DG	9.743	2820830	3.260
2819439	12.491	2819794	10.187	2820326BE	14.924	2820616CE	9.743	2820844	2.424
2819440	12.491	2819795	10.187	2820326BG	14.924	2820616CJ	9.743	2820844	4.205
2819449	7.870	2819796	10.187	2820326BH	14.924	2820617BA	9.743	2820857	4.256
2819454	0.269	2819797	10.187	2820326BU	14.924	2820617CE	9.743	2820861	9.779
2819457	0.269	2819798	10.187	2820326CA	14.924	2820617CJ	9.743	2820864	0.787
2819458	0.289	2819868	6.508	2820326CB	14.924	2820617DD	9.743	2820865	2.342
2819462	0.095	2819903	4.628	2820326CD	14.924	2820617DG	9.743	2820893	9.779
2819462	0.098	2819929	6.518	2820326CE	14.924	2820622	11.373	2820907BA	15.306
2819462	0.100	2819931	6.524	2820326CG	14.924	2820623	11.373	2820907BD	15.306
2819462	0.102	2819950	4.655	2820326CJ	14.924	2820627	11.374	2820907BE	15.306
2819465	0.095	2819972	9.787	2820326CY	14.924	2820636	11.373	2820907BT	15.306
2819465	0.098	2819973	9.779	2820326DA	14.924	2820637	11.373	2820907CB	15.306
2819465	0.100	2820017	7.345	2820326DB	14.924	2820638	11.420	2820907CD	15.306
2819465	0.102	2820018	7.345	2820326DC	14.924	2820639	11.420	2820907CE	15.306
2819468	0.105	2820021	9.787	2820326DE	14.924	2820640	11.420	2820907CJ	15.306
2819471	0.105	2820023	13.090	2820326DF	14.924	2820641	2.679	2820907DA	15.306
2819472	1.429	2820025	13.090	2820326DG	14.924	2820642	2.679	2820907DB	15.306
2819505	0.629	2820027	13.090	2820366	9.662	2820643	2.679	2820907DD	15.306
2819506	0.629	2820029	13.090	2820367	9.662	2820644	2.679	2820907DE	15.306
2819507	0.629	2820047	1.265	2820388	4.133	2820646	2.679	2820907DG	15.306
2819508	0.629	2820067	4.658	2820389	15.290	2820647	2.679	2820908BA	15.306
2819509	0.629	2820103	1.219	2820398	12.030	2820648	2.682	2820908BB	15.306
2819510	0.629	2820110	4.265	2820404	2.555	2820649	2.681	2820908BD	15.306
2819511	0.629	2820111	2.361	2820411	12.030	2820650	2.681	2820908BE	15.306
2819512	0.629	2820136	1.219	2820417	2.555	2820651	2.682	2820908BH	15.306
2819513	0.629	2820160	14.924	2820418	2.555	2820652	2.682	2820908BT	15.306
2819514	0.629	2820186	3.001	2820419	2.555	2820653	2.684	2820908BU	15.306
2819515	0.629	2820190	11.950	2820429	2.725	2820654	2.682	2820908CB	15.306
2819516	0.629	2820202	9.662	2820430	2.555	2820655	2.682	2820908CD	15.306
2819517	0.629	2820203	9.662	2820431	2.555	2820656	2.684	2820908CE	15.306
2819518	0.629	2820207BA	14.685	2820432	2.555	2820657	2.682	2820908CJ	15.306
2819519	0.629	2820207CY	14.685	2820451	2.820	2820658	2.682	2820908DA	15.306
2819520	0.629	2820207DB	14.685	2820452	2.275	2820659	2.682	2820908DB	15.306
2819521	0.629	2820207DC	14.685	2820466	0.388	2820660	2.682	2820908DD	15.306
2819522	0.629	2820207DE	14.685			2820661	2.684	2820908DE	15.306

HOLDEN "LJ" PARTS CATALOGUE

PART No.	GROUP	PART No.	GROUP	PART No.	GROUP	PART No.	GROUP	PART No.	GROUP
2820908DG	15.306	2822207DL	14.880	2822213CE	14.880	2822219CY	14.800	2822233BB	15.035
2820926	9.624	2822207DM	14.880	2822213CG	14.880	2822219CZ	14.800	2822233BD	15.035
2820927	9.624	2822209BA	14.880	2822213CJ	14.880	2822219DB	14.800	2822233BE	15.035
2820928	9.624	2822209CA	14.880	2822213CY	14.880	2822219DC	14.800	2822233BG	15.035
2820931	2.341	2822209CB	14.880	2822213DB	14.880	2822219DE	14.800	2822233BT	15.035
2820948	4.081	2822209CD	14.880	2822213DC	14.880	2822219DF	14.800	2822233BU	15.035
2820959	9.779	2822209CE	14.880	2822213DE	14.880	2822219DG	14.800	2822233BW	15.035
2820959	9.787	2822209CG	14.880	2822213DF	14.880	2822219DH	14.800	2822233CA	15.035
2820982	4.003	2822209CJ	14.880	2822213DG	14.880	2822219DN	14.800	2822233CB	15.035
2822006	14.890	2822209CY	14.880	2822214BA	14.880	2822220BA	14.800	2822233CD	15.035
2822024	12.982	2822209DA	14.880	2822214CA	14.880	2822220BB	14.800	2822233CE	15.035
2822025	0.643	2822209DB	14.880	2822214CD	14.880	2822220BD	14.800	2822233CG	15.035
2822026	0.643	2822209DC	14.880	2822214CE	14.880	2822220BE	14.800	2822233CJ	15.035
2822027	0.643	2822209DE	14.880	2822214CG	14.880	2822220BG	14.800	2822233CK	15.035
2822028	0.643	2822209DF	14.880	2822214CJ	14.880	2822220BT	14.800	2822233CL	15.035
2822033	15.290	2822209DG	14.880	2822214CP	14.880	2822220BU	14.800	2822233CM	15.035
2822051	3.616	2822210BA	14.880	2822214DC	14.880	2822220CA	14.800	2822233CY	15.035
2822054	2.555	2822210CE	14.880	2822214DG	14.880	2822220CB	14.800	2822233DA	15.035
2822056	1.219	2822210CG	14.880	2822215	4.685	2822220CD	14.800	2822233DB	15.035
2822059	3.158	2822210CJ	14.880	2822216BA	14.800	2822220CE	14.800	2822233DC	15.035
2822065	4.177	2822210CN	14.880	2822216BB	14.800	2822220CG	14.800	2822233DE	15.035
2822067	2.555	2822210CX	14.880	2822216BD	14.800	2822220CJ	14.800	2822233DF	15.035
2822068	2.555	2822210CY	14.880	2822216BE	14.800	2822220CY	14.800	2822233DG	15.035
2822073	0.296	2822210DB	14.880	2822216BG	14.800	2822220DA	14.800	2822233DJ	15.035
2822074	0.297	2822210DC	14.880	2822216BT	14.800	2822220DB	14.800	2822233DK	15.035
2822076	9.709	2822210DE	14.880	2822216BU	14.800	2822220DC	14.800	2822233DL	15.035
2822079	0.388	2822210DF	14.880	2822216BW	14.800	2822220DE	14.800	2822233DM	15.035
2822080	0.388	2822210DG	14.880	2822216CA	14.800	2822220DF	14.800	2822234BA	15.035
2822082	0.388	2822210DH	14.880	2822216CB	14.800	2822220DG	14.800	2822234BB	15.035
2822083	0.388	2822211BA	14.880	2822216CD	14.800	2822221BA	14.800	2822234BD	15.035
2822094	4.040	2822211BB	14.880	2822216CE	14.800	2822221CE	14.800	2822234BE	15.035
2822095	4.342	2822211BD	14.880	2822216CG	14.800	2822221CG	14.800	2822234BG	15.035
2822101	1.516	2822211BE	14.880	2822216CJ	14.800	2822221CN	14.800	2822234BT	15.035
2822111	0.388	2822211BG	14.880	2822216CK	14.800	2822221CX	14.800	2822234BU	15.035
2822115	14.890	2822211BT	14.880	2822216CL	14.800	2822221CY	14.800	2822234CA	15.035
2822119	6.008	2822211BU	14.880	2822216CM	14.800	2822221CZ	14.800	2822234CB	15.035
2822120	6.008	2822211CA	14.880	2822216CY	14.800	2822221DB	14.800	2822234CD	15.035
2822125	3.403	2822211CB	14.880	2822216DA	14.800	2822221DC	14.800	2822234CE	15.035
2822133	3.028	2822211CD	14.880	2822216DB	14.800	2822221DE	14.800	2822234CG	15.035
2822203	3.430	2822211CE	14.880	2822216DC	14.800	2822221DF	14.800	2822234CJ	15.035
2822207BA	14.880	2822211CG	14.880	2822216DE	14.800	2822221DG	14.800	2822234CY	15.035
2822207BB	14.880	2822211CJ	14.880	2822216DF	14.800	2822221DH	14.800	2822234DA	15.035
2822207BD	14.880	2822211CY	14.880	2822216DG	14.800	2822221DN	14.800	2822234DB	15.035
2822207BE	14.880	2822211DA	14.880	2822216DJ	14.800	2822222BA	14.800	2822234DC	15.035
2822207BG	14.880	2822211DB	14.880	2822216DK	14.800	2822222CA	14.800	2822234DE	15.035
2822207BT	14.880	2822211DC	14.880	2822216DL	14.800	2822222CD	14.800	2822234DF	15.035
2822207BU	14.880	2822211DE	14.880	2822216DM	14.800	2822222CE	14.800	2822234DG	15.035
2822207BW	14.880	2822211DF	14.880	2822218BA	14.800	2822222CG	14.800	2822235BA	15.035
2822207CA	14.880	2822211DG	14.880	2822218CA	14.800	2822222CJ	14.800	2822235BB	15.035
2822207CB	14.880	2822212BA	14.880	2822218CB	14.800	2822222CY	14.800	2822235BD	15.035
2822207CD	14.880	2822212CE	14.880	2822218CD	14.800	2822222DB	14.800	2822235BE	15.035
2822207CE	14.880	2822212CG	14.880	2822218CE	14.800	2822222DC	14.800	2822235BG	15.035
2822207CG	14.880	2822212CN	14.880	2822218CJ	14.800	2822222DE	14.800	2822235BT	15.035
2822207CJ	14.880	2822212CX	14.880	2822218CY	14.800	2822222DF	14.800	2822235BU	15.035
2822207CK	14.880	2822212CY	14.880	2822218DA	14.800	2822222DG	14.800	2822235CA	15.035
2822207CL	14.880	2822212CZ	14.880	2822218DB	14.800	2822222BA	14.800	2822235CB	15.035
2822207CM	14.880	2822212DB	14.880	2822218DC	14.800	2822222CA	14.800	2822235CD	15.035
2822207CY	14.880	2822212DC	14.880	2822218DE	14.800	2822222CD	14.800	2822235CE	15.035
2822207DA	14.880	2822212DE	14.880	2822218DF	14.800	2822222CE	14.800	2822235CG	15.035
2822207DB	14.880	2822212DF	14.880	2822218DG	14.800	2822222CG	14.800	2822235CJ	15.035
2822207DC	14.880	2822212DG	14.880	2822218DH	14.800	2822222CJ	14.800	2822235CY	15.035
2822207DE	14.880	2822212DH	14.880	2822219BA	14.800	2822222CP	14.800	2822235DA	15.035
2822207DF	14.880	2822212DN	14.880	2822219CE	14.800	2822222CY	14.800	2822235DB	15.035
2822207DG	14.880	2822213BA	14.880	2822219CG	14.800	2822222DB	14.800	2822235DE	15.035
2822207DJ	14.880	2822213CA	14.880	2822219CN	14.800	2822222DC	14.800	2822235DF	15.035
2822207DK	14.880	2822213CD	14.880	2822219CX	14.800	2822222CE	15.035		

HOLDEN "LJ" PARTS CATALOGUE

PART No.	GROUP	PART No.	GROUP	PART No.	GROUP	PART No.	GROUP	PART No.	GROUP
2822235DG	15.035	2822248BG	15.000	2822649CJ	4.038	2822697	14.802	2823117	4.627
2822236BA	15.035	2822248BT	15.000	2822649DD	4.038	2822705	2.895	2823118BA	15.286
2822236CE	15.035	2822248BU	15.000	2822649DG	4.038	2822706	15.036	2823119BA	15.286
2822236CG	15.035	2822248CA	15.000	2822650	4.038	2822707	15.036	2823119BB	15.286
2822236CN	15.035	2822248CB	15.000	2822662	3.609	2822718	2.728	2823119BD	15.286
2822236CX	15.035	2822248CD	15.000	2822684BA	15.035	2822719	2.728	2823119BE	15.286
2822236CY	15.035	2822248CE	15.000	2822684BB	15.035	2822722	12.810	2823119BH	15.286
2822236CZ	15.035	2822248CG	15.000	2822684BD	15.035	2822723	12.810	2823119BU	15.286
2822236DB	15.035	2822248CJ	15.000	2822684BE	15.035	2822728	4.610	2823119CB	15.286
2822236DC	15.035	2822248CY	15.000	2822684BG	15.035	2822729	15.002	2823119CD	15.286
2822236DE	15.035	2822248DA	15.000	2822684BT	15.035	2822731BA	9.743	2823119CE	15.286
2822236DF	15.035	2822248DB	15.000	2822684BU	15.035	2822731CE	9.743	2823119CJ	15.286
2822236DG	15.035	2822248DC	15.000	2822684CA	15.035	2822731CJ	9.743	2823119DA	15.286
2822236DH	15.035	2822248DE	15.000	2822684CB	15.035	2822731DD	9.743	2823119DD	15.286
2822236DN	15.035	2822248DF	15.000	2822684CD	15.035	2822731DG	9.743	2823119DE	15.286
2822237BA	15.035	2822248DG	15.000	2822684CE	15.035	2822751	11.373	2823119DG	15.286
2822237CA	15.035	2822249BA	15.000	2822684CG	15.035	2822756	11.373	2823120BA	15.286
2822237CD	15.035	2822249CE	15.000	2822684CJ	15.035	2822757	11.373	2823120BB	15.286
2822237CE	15.035	2822249CG	15.000	2822684CY	15.035	2822760	10.388	2823120BD	15.286
2822237CG	15.035	2822249CN	15.000	2822684DA	15.035	2822765	11.373	2823120BH	15.286
2822237CJ	15.035	2822249CX	15.000	2822684DB	15.035	2822794	3.609	2823120BT	15.286
2822237CY	15.035	2822249CY	15.000	2822684DC	15.035	2822799BA	14.800	2823120BU	15.286
2822237DB	15.035	2822249CZ	15.000	2822684DE	15.035	2822799BA	15.000	2823120CB	15.286
2822237DC	15.035	2822249DB	15.000	2822684DF	15.035	2822799CA	14.800	2823120CD	15.286
2822237DE	15.035	2822249DC	15.000	2822684DG	15.035	2822799CA	15.000	2823120CE	15.286
2822237DF	15.035	2822249DE	15.000	2822685BA	15.035	2822799CE	14.800	2823120CJ	15.286
2822237DG	15.035	2822249DF	15.000	2822685BB	15.035	2822799CE	15.000	2823120DA	15.286
2822238BA	15.035	2822249DG	15.000	2822685BD	15.035	2822799CN	14.800	2823120DB	15.286
2822238CA	15.035	2822249DH	15.000	2822685BE	15.035	2822799CN	15.000	2823120DD	15.286
2822238CD	15.035	2822249DN	15.000	2822685BG	15.035	2822799CY	15.000	2823120DE	15.286
2822238CE	15.035	2822250BA	15.000	2822685BT	15.035	2822799DB	14.800	2823120DG	15.286
2822238CG	15.035	2822250CA	15.000	2822685BU	15.035	2822799DB	15.000	2823130BA	15.286
2822238CJ	15.035	2822250CD	15.000	2822685CA	15.035	2822799DC	14.800	2823130BB	15.286
2822238CP	15.035	2822250CE	15.000	2822685CB	15.035	2822799DC	15.000	2823130BD	15.286
2822247BA	15.000	2822250CF	15.000	2822685CD	15.035	2822799DE	14.800	2823130BE	15.286
2822247BB	15.000	2822250CJ	15.000	2822685CE	15.035	2822799DE	15.000	2823130BH	15.286
2822247BD	15.000	2822250CY	15.000	2822685CG	15.035	2822799DG	14.800	2823130BT	15.286
2822247BE	15.000	2822250DB	15.000	2822685CJ	15.035	2822799DG	15.000	2823130BU	15.286
2822247BG	15.000	2822250DC	15.000	2822685CY	15.035	2822822	3.402	2823130CB	15.286
2822247BT	15.000	2822250DE	15.000	2822685DA	15.035	2822852	2.679	2823130CD	15.286
2822247BU	15.000	2822250DF	15.000	2822685DB	15.035	2822853	2.679	2823130CE	15.286
2822247BW	15.000	2822250DG	15.000	2822685DC	15.035	2822865	14.890	2823130CJ	15.286
2822247CA	15.000	2822256	9.779	2822685DE	15.035	2822886	15.290	2823130DA	15.286
2822247CB	15.000	2822262	15.002	2822685DF	15.035	2822888	4.015	2823130DB	15.286
2822247CD	15.000	2822267	15.036	2822685DG	15.035	2822888BA	4.015	2823130DD	15.286
2822247CE	15.000	2822282	14.802	2822688BA	15.000	2822891	4.610	2823130DE	15.286
2822247CG	15.000	2822318	9.779	2822688BB	15.000	2822917	4.006	2823130DG	15.286
2822247CJ	15.000	2822319	9.779	2822688BD	15.000	2822927	8.821	2823131BA	15.286
2822247CK	15.000	2822456	0.736	2822688BE	15.000	2822930	1.266	2823131BD	15.286
2822247CL	15.000	2822470	5.871	2822688BG	15.000	2822933	4.103	2823131BE	15.286
2822247CM	15.000	2822472	5.858	2822688BT	15.000	2822935	2.697	2823131BT	15.286
2822247CY	15.000	2822473	5.858	2822688BU	15.000	2822938	2.515	2823131BU	15.286
2822247DA	15.000	2822485	8.800	2822688CA	15.000	2822944	4.196	2823131CB	15.286
2822247DB	15.000	2822546	3.725	2822688CB	15.000	2822946	2.515	2823131CD	15.286
2822247DC	15.000	2822547	3.725	2822688CD	15.000	2822968	1.219	2823131CE	15.286
2822247DE	15.000	2822548	3.725	2822688CE	15.000	2822969	1.219	2823131CJ	15.286
2822247DF	15.000	2822549	3.725	2822688CG	15.000	2822970	4.685	2823131DA	15.286
2822247DG	15.000	2822585	9.779	2822688CJ	15.000	2822971	4.685	2823131DB	15.286
2822247DJ	15.000	2822614	2.819	2822688CY	15.000	2822994	6.760	2823131DD	15.286
2822247DK	15.000	2822615	4.038	2822688DA	15.000	2823064	6.518	2823131DE	15.286
2822247DL	15.000	2822617	6.518	2822688DB	15.000	2823088	8.798	2823131DG	15.286
2822247DM	15.000	2822618	4.018	2822688DC	15.000	2823089	8.798	2823147	3.430
2822248BA	15.000	2822633	3.402	2822688DE	15.000	2823095	3.521	2823148	3.430
2822248BB	15.000	2822635	4.038	2822688DF	15.000	2823099	2.824	2823150	3.201
2822248BD	15.000	2822649BA	4.038	2822688DG	15.000	2823106	3.430	2823190BA	10.203
2822248BE	15.000	2822649CE	4.038	2822689	15.002	2823117	0.833	2823190CA	10.203

HOLDEN "LJ" PARTS CATALOGUE

PART No.	GROUP	PART No.	GROUP	PART No.	GROUP	PART No.	GROUP	PART No.	GROUP
2823190CB	10.203	2823707	3.701	2824065	2.555	2825426	4.902	2962969	13.090
2823190CD	10.203	2823770	2.585	2824066	2.555	2825456	3.521	2962984	2.596
2823190CE	10.203	2823771	2.585	2824067	2.555	2825480	2.275	2962984	2.810
2823190CG	10.203	2823775	2.586	2824068	2.555	2825481	2.275	2965429	2.697
2823190CJ	10.203	2823777	2.596	2824069	2.555	2825487	0.886	2973172	2.555
2823190DA	10.203	2823778	2.589	2824070	2.555	2825489	0.886	2973195	13.090
2823190DB	10.203	2823779	2.589	2824071	2.555	2825495	10.185	2973431	2.697
2823190DC	10.203	2823781	2.424	2824072	2.555	2825503	4.019	2973431	4.055
2823190DE	10.203	2823788	7.345	2824073	2.555	2825507	4.019	2973603	9.644
2823190DF	10.203	2823790	7.345	2824076	2.555	2825508	2.041	2973603	13.090
2823190DG	10.203	2823792	7.345	2824083	2.361	2825510	3.701	2973932	4.610
2823191BA	10.203	2823794	7.345	2824089	9.779	2825534	9.787	2977763	4.055
2823191CA	10.203	2823803	4.651	2824090	9.779	2825543	2.555	2977804	2.555
2823191CB	10.203	2823842	2.424	2824108	9.779	2825544	2.555	3702366	1.609
2823191CD	10.203	2823844	10.150	2824109	9.779	2825545	2.555	3707189	4.412
2823191CE	10.203	2823845	10.150	2824119	3.701	2825546	2.555	3707713	3.430
2823191CG	10.203	2823850	0.269	2824238	14.802	2825547	2.555	3710497	4.128
2823191CJ	10.203	2823851	0.269	2824280	0.269	2825548	2.555	3711176	0.309
2823191DA	10.203	2823858	0.027	2824303	4.279	2825549	2.555	3713379	0.027
2823191DB	10.203	2823859	0.027	2824358	2.555	2825550	2.555	3713379	7.836
2823191DC	10.203	2823863	5.803	2824359	2.555	2825551	2.555	3717682	4.317
2823191DE	10.203	2823866	1.219	2824360	2.555	2825552	2.555	3719206	3.900
2823191DF	10.203	2823871	6.168	2824361	2.555	2825603	9.220	3744341	0.429
2823191DG	10.203	2823892	0.886	2824362	4.649	2825656	2.188	3749084	0.852
2823222	3.265	2823894	0.277	2824381	3.725	2825685	9.750	3749084	4.019
2823223	4.901	2823899	4.421	2824432	7.345	2825703	9.169	3749084	4.020
2823269	3.731	2823905	0.094	2824433	1.219	2825704	9.220	3749084	4.035
2823340	3.201	2823906	0.094	2824434	1.219	2825761	0.629	3749084	4.040
2823341	3.201	2823907	0.094	2824453	4.265	2825762	0.629	3749084	4.628
2823342	3.201	2823910	0.096	2824555	13.090	2825763	0.629	3749084	4.658
2823343	3.201	2823910	0.099	2824563	8.798	2825770	4.931	3749086	1.246
2823344	3.201	2823910	0.101	2824649	6.758	2825786	0.033	3750685	3.163
2823364	0.519	2823910	0.103	2824680	2.812	2825808	9.644	3770598	2.414
2823367	3.410	2823911	0.096	2824690	0.388	2825811	12.030	3774937	3.107
2823368	3.430	2823911	0.099	2824708	11.208	2825869	3.265	3775050	4.376
2823385	3.430	2823911	0.101	2824735	6.008	2825904	5.813	3775052	4.376
2823388	3.201	2823911	0.103	2824736	3.609	2825988	4.430	3775061	4.428
2823397	3.410	2823912	0.096	2824925C	9.684	2829795	4.103	3775063	4.423
2823405	3.163	2823912	0.099	2824925T	9.684	2829816	2.515	3775089	4.382
2823417	2.424	2823912	0.101	2824926C	9.684	2829817	2.515	3784609	4.226
2823420	3.521	2823912	0.103	2824926T	9.684	2829925	6.326	3784834	0.626
2823424	1.064	2823913	0.096	2824927C	9.684	2829933	12.982	3786275	1.762
2823489	5.387	2823913	0.099	2824927T	9.684	2829934	12.982	3786275	3.163
2823511	8.153	2823913	0.101	2824928C	9.684	2829970	12.982	3786276	9.220
2823538	4.038	2823913	0.103	2824928T	9.684	2865035	4.015	3787240	4.103
2823544	4.351	2823914	0.096	2824936	8.823	2865380	0.333	3788444	1.429
2823550	3.402	2823914	0.099	2824959	9.662	2874894	4.019	3789860	0.033
2823563	6.758	2823914	0.101	2824992	2.341	2886929	4.006	3789860	0.553
2823569	4.015	2823914	0.103	2824992	2.348	2893967	4.019	3789898	3.273
2823578	4.054	2823927	0.106	2825019	2.274	2897510	4.006	3794377	3.430
2823580	2.697	2823928	0.106	2825063	2.274	2962066	11.960	3798256	0.831
2823582	6.361	2823929	0.106	2825086	12.810	2962066	13.090	3798256	4.626
2823583	7.503	2823930	0.106	2825090	10.563	2962243	2.714	3799830	4.156
2823584	6.361	2823931	0.106	2825091	4.279	2962243	13.090	3805921	4.256
2823585	7.503	2823981	1.108	2825103	12.182	2962447	2.555	3820840	4.104
2823593	1.159	2823982	5.387	2825179	8.820	2962448	2.555	3829058	1.762
2823594	1.159	2824020	1.219	2825184	4.265	2962448	4.055	3829086	3.275
2823599	10.222	2824038	3.110	2825218	2.555	2962448	9.779	3829139	4.195
2823601	3.430	2824040	4.005	2825245	12.116	2962449	2.555	3835215	8.800
2823661	2.727	2824049	1.219	2825246	12.116	2962449	9.779	3835487	3.275
2823667	4.223	2824058	1.219	2825271	3.731	2962551	2.555	3835665	1.516
2823676	3.725	2824060	2.555	2825275	2.804	2962674	2.258	3835946	0.209
2823677	3.410	2824061	2.555	2825326	3.402	2962679	4.055	3836540	8.800
2823687	0.033	2824062	2.555	2825352	4.205	2962964	2.555	3836755	0.308
2823692	3.725	2824063	2.555	2825378	0.289	2962964	2.596	3837115	1.610
2823701	1.426	2824064	2.555	2825422	0.206	2962967	4.055	3851735	1.516

HOLDEN "LJ" PARTS CATALOGUE

PART No.	GROUP	PART No.	GROUP	PART No.	GROUP	PART No.	GROUP	PART No.	GROUP
3871649	4.317	5258094	4.128	5258322	4.166	5462637	4.657	6353786	6.233
3880353	2.277	5258095	4.153	5258329	4.256	5462642	4.657	6356131	8.012
3996934	0.309	5258100	4.127	5258333	4.265	5463805	4.251	6358159	4.300
3901061	2.188	5258106	4.127	5258338	4.265	5464418	4.653	6360873	3.276
3901061	10.550	5258109	4.166	5258338	4.279	5464424	4.655	6360874	3.726
3901062	2.188	5258111	4.166	5258339	4.212	5467356	4.656	6361033	3.791
3901062	10.550	5258112	4.166	5258340	4.265	5574397	1.837	6361096	4.665
3901063	2.188	5258116	4.128	5258342	4.256	5575416	1.837	6361210	4.665
3901063	10.550	5258119	4.226	5258344	4.226	5592046	3.906	6361222	5.103
3901064	2.188	5258121	4.128	5258351	4.158	5592850	3.902	6361223	5.103
3901064	10.550	5258124	4.164	5258366	4.294	5592851	3.921	6361229	5.110
3909982	3.459	5258125	0.683	5258383	4.256	5592852	3.921	6361331	4.654
3911068	0.303	5258128	4.158	5258443	4.265	5593301	3.902	6361334	4.656
3922831	10.266	5258129	4.158	5258454	4.156	5593404	3.904	6361339	4.651
3932255	4.317	5258130	4.224	5258484	4.317	5593866	3.909	6366097	1.112
3934137	10.266	5258132	4.128	5258493	4.337	5679626	6.168	6366482	0.333
3987936	4.354	5258134	4.128	5258509	4.265	5679627	6.168	6366673	0.426
4110664	10.506	5258137	4.158	5258528	4.163	5679629	6.168	6366690	0.519
4110664	10.556	5258140	4.226	5258543	4.166	5679630	6.168	6366717	0.728
4124441	12.803	5258141	4.195	5258545	4.177	5686837	4.177	6366736	0.623
4124441	12.980	5258143	4.226	5258547	4.256	5693552	6.168	6366738	0.603
4157887	10.783	5258145	4.265	5258547	4.265	5694191	6.521	6366743	0.724
4157887	10.791	5258149	4.279	5258553	4.177	5699603	2.895	6366744	0.033
4168122	10.513	5258158	4.103	5258554	4.177	5699603	6.521	6366745	1.928
4168122	10.797	5258159	4.127	5258555	4.177	5957063	2.895	6366746	1.928
4301315	11.582	5258160	4.265	5258563	4.233	5962548	2.727	6366774	1.609
4304426	11.581	5258161	4.226	5258564	4.233	6255523	0.626	6366775	1.654
4416740	10.266	5258165	4.233	5258566	4.233	6255641	4.133	6366776	1.611
4424600	10.219	5258166	4.226	5258568	4.233	6256636	2.362	6366808	1.610
4556605	11.374	5258179	4.265	5258569	4.228	6270078	1.123	6366811	3.601
4556605	11.611	5258180	4.265	5258570	4.228	6294684	2.555	6366816	1.062
4556605	11.629	5258181	4.265	5258572	4.233	6303008	11.634	6366826	0.207
4558184	10.260	5258183	4.228	5258578	4.265	6303254	1.154	6366860	3.288
4566746	10.806	5258185	4.233	5258579	4.265	6303904	10.587	6366862	3.726
4576655	10.506	5258186	4.228	5258580	4.265	6303904	10.716	6366865	3.275
4576655	10.556	5258190	4.251	5258582	4.265	6305040	4.665	6366867	0.659
4587931	10.550	5258191	4.103	5258586	4.226	6305047	4.667	6366867	0.736
4780518	12.248	5258192	4.265	5258600	4.265	6305057	5.103	6366867	6.008
4884405	10.553	5258193	4.265	5258754	4.337	6305065	4.666	6366873	0.673
5231369	0.459	5258195	4.265	5258805	4.265	6305907	4.398	6366991	1.079
5232795	0.459	5258199	4.318	5258807	4.265	6305908	4.105	6366997	1.153
5258001	4.166	5258202	4.129	5258809	4.256	6309501	4.301	6366998	0.429
5258002	4.166	5258203	4.129	5258850	4.226	6311075	5.043	6367675	4.415
5258004	4.166	5258204	4.129	5258864	4.265	6311076	5.041	6367677	4.418
5258005	4.166	5258205	4.129	5258866	4.265	6311131	3.610	6367859	4.422
5258017	4.163	5258206	4.129	5258939	4.226	6311219	4.334	6368033	0.831
5258019	4.163	5258207	4.129	5258989	4.163	6311325	3.791	6368033	4.626
5258021	4.189	5258212	4.265	5258990	4.163	6314107	4.665	6368033	4.628
5258025	4.163	5258213	4.265	5259609	4.177	6315040	3.754	6368099	4.415
5258035	4.163	5258216	4.265	5259666	4.233	6315182	3.754	6368111	6.168
5258038	4.165	5258219	4.226	5259667	4.128	6315722	2.070	6368762	6.311
5258039	4.165	5258240	4.265	5289527	2.258	6315724	2.070	6368763	6.313
5258041	4.166	5258241	4.294	5290441	2.258	6317961	3.430	6368773	6.326
5258042	4.166	5258243	4.265	5452315	4.653	6319890	3.616	6368888	6.321
5258043	4.166	5258244	4.265	5452319	4.651	6319892	3.616	6369136	10.571
5258046	4.129	5258253	4.279	5452320	4.651	6325326	4.334	6369136	11.377
5258054	4.177	5258272	0.683	5452322	4.652	6327899	5.103	6369137	10.571
5258055	4.177	5258273	0.683	5452519	4.656	6328103	3.275	6371078	4.665
5258057	4.163	5258275	0.683	5452520	4.655	6339998	3.763	6371370	4.668
5258058	4.163	5258282	4.163	5453620	4.654	6342728	4.395	6371371	4.667
5258062	4.294	5258283	4.163	5454797	5.158	6345662	2.424	6371372	4.667
5258076	4.295	5258284	4.163	5454798	5.158	6348488	5.400	6371374	4.667
5258082	4.294	5258286	4.294	5455298	4.667	6350011	2.697	6371650	3.802
5258090	4.129	5258288	4.166	5455487	4.669	6350351	4.311	6371652	3.772
5258091	4.129	5258293	4.156	5460195	4.654	6353414	3.791	6371669	3.763
5258093	4.128	5258294	4.156	5462635	4.654	6353493	4.666	6373187	4.423

HOLDEN "LJ" PARTS CATALOGUE

PART No.	GROUP	PART No.	GROUP	PART No.	GROUP	PART No.	GROUP	PART No.	GROUP
6373188	4.423	6378069	6.020	6396875	5.453	7124870	6.233	7152393	3.729
6373189	4.430	6379778	5.858	6397554	4.380	7125717	10.696	7152394	3.731
6373192	4.385	6379783	4.337	6397555	4.380	7126018	0.033	7152395	3.731
6373193	4.385	6379784	4.337	6397716	4.317	7126018	0.269	7152396	3.792
6373194	4.385	6379793	5.518	6397760	6.809	7127250	1.453	7152397	3.731
6373195	4.385	6379876	4.019	6397761	6.809	7127250	5.400	7152398	3.732
6373219	4.433	6379877	4.019	6397763	6.809	7129794	4.105	7152399	3.734
6373225	4.376	6380665	0.686	6397765	6.807	7129795	4.105	7152400	3.734
6373225	4.412	6380678	2.424	6397767	6.809	7137636	5.536	7152400	3.742
6373226	4.309	6380703	3.932	6397768	6.809	7138260	4.352	7152401	3.731
6373227	4.398	6381313	1.153	6397771	6.255	7138684	4.398	7152402	3.741
6373284	4.423	6382646	5.395	6397772	6.255	7138685	4.337	7152403	3.783
6373286	4.376	6382726	6.020	6397836	5.001	7138838	4.423	7152404	3.783
6373287	4.306	6382868	5.420	6397837	5.001	7138859	4.318	7152406	3.779
6373311	4.095	6382868	6.307	6397840	4.665	7138862	4.384	7152407	3.782
6373327	4.105	6384620	1.723	6397841	4.665	7138930	4.358	7152408	3.782
6373334	4.109	6384624	1.656	6397842	5.026	7138973	4.376	7152410	3.752
6373377	4.313	6384628	1.739	6397843	4.665	7138973	4.412	7152410	3.757
6373380	4.318	6384656	0.797	6397844	4.666	7139077	4.353	7152411	3.757
6373525	4.333	6384726	1.659	6397846	4.665	7139078	4.385	7152415	3.755
6373702	4.395	6384848	0.269	6397848	5.019	7139078	4.412	7152416	3.756
6373774	4.358	6384966	3.270	6397854	4.669	7139079	4.334	7152416	3.772
6374149	2.086	6385756	0.787	6397855	4.670	7139079	4.385	7152418	3.793
6374432	6.168	6386546	10.571	6397867	5.020	7139079	4.412	7152419	3.795
6374669	2.096	6387058	10.664	6397977	4.665	7139080	4.385	7152420	3.793
6375054	4.384	6387326	10.695	6397979	5.026	7139080	4.412	7152420	3.795
6375068	4.311	6388039	4.108	6397980	5.107	7139081	4.385	7152422	3.793
6375090	5.002	6388044	4.015	6397981	5.111	7139081	4.412	7152424	3.735
6375115	5.816	6388083	4.023	6397982	5.111	7139082	4.385	7152425	3.735
6375116	5.822	6388089	4.095	6397983	4.665	7139082	4.412	7152426	3.791
6375128	7.370	6388284	4.006	6397984	4.665	7139083	4.385	7152429	3.789
6375234	5.447	6389225	6.307	6397985	4.674	7139083	4.412	7152430	3.789
6375235	5.484	6389292	6.326	6397986	5.041	7139084	4.385	7152431	3.791
6375327	0.787	6390312	0.137	6397988	5.043	7139084	4.412	7152432	3.791
6375361	0.787	6391572	4.667	6397991	4.670	7139099	4.409	7152490	0.616
6375383	5.506	6391720	3.783	6397992	4.668	7139100	4.409	7152491	0.616
6375384	5.531	6391732	3.775	6397994	4.670	7139101	4.409	7152492	0.616
6375475	5.542	6392101	4.418	6399119	3.288	7139224	0.846	7152862	4.608
6375485	5.543	6392432	10.998	6399122	0.429	7139251	4.383	7153340	4.337
6375486	5.543	6392496	10.696	6420265	3.410	7139364	2.384	7153562	0.796
6375487	5.543	6393125	4.337	6484966	3.410	7139959	12.944	7153576	4.317
6375488	5.543	6393126	4.337	7006092	10.550	7140021	0.683	7153711	4.015
6375707	5.517	6393127	4.337	7052415	3.742	7140079	4.311	7153847	0.429
6375766	4.662	6393128	4.337	7057770	0.033	7140080	4.311	7153865	0.539
6375767	4.662	6393129	4.337	7074488	0.884	7140240	4.004	7153866	0.544
6375777	4.317	6393130	4.337	7077093	2.333	7141838	4.040	7153867	0.549
6376067	4.300	6393131	4.337	7078854	4.317	7141838	4.823	7154311	3.601
6376068	4.300	6393142	4.019	7082016	10.664	7142937	4.301	7154454	0.659
6376075	4.306	6393317	4.108	7082902	3.275	7143946	3.796	7154475	0.386
6376084	4.307	6393408	5.002	7085400	5.545	7143956	3.731	7154559	2.555
6376085	4.307	6393411	5.002	7086864	3.772	7143956	3.782	7154885	4.685
6376093	4.421	6393499	5.002	7088385	5.110	7143956	3.791	7156078	3.792
6376130	0.799	6394636	4.423	7088530	3.731	7143976	3.806	7156084	3.734
6376131	0.669	6395752	10.571	7090220	2.697	7143977	3.806	7156085	3.741
6376212	0.795	6395753	10.571	7090220	9.779	7143980	3.752	7156086	3.752
6376214	0.844	6396150	5.010	7090718	3.202	7146583	3.806	7156088	3.760
6376215	0.870	6396325	5.002	7094635	2.087	7146717	0.209	7156089	3.757
6376216	0.796	6396326	5.002	7096326	3.792	7146717	4.313	7156093	3.775
6376461	0.378	6396404	0.686	7099125	0.669	7146839	4.408	7156096	3.791
6376599	0.309	6396581	6.509	7100321	11.374	7147961	4.433	7156097	3.791
6376634	3.610	6396702	5.537	7100321	11.420	7149485	4.342	7156100	3.789
6376635	3.611	6396703	5.460	7105350	2.087	7149600	4.419	7156101	3.789
6377117	3.202	6396715	5.453	7107293	4.104	7150358	1.709	7156108	3.737
6377118	0.310	6396872	5.537	7107293	5.387	7150714	4.003	7156109	3.782
6378051	0.787	6396873	5.537	7116131	9.787	7152391	3.729	7156110	3.782
6378068	6.020	6396874	5.453	7121060	1.516	7152392	3.731	7156113	3.752

HOLDEN "LJ" PARTS CATALOGUE

PART No.	GROUP	PART No.	GROUP	PART No.	GROUP	PART No.	GROUP	PART No.	GROUP
7156114	3.783	7175429	13.092	7188711	5.001	7192640	10.701	7198306	5.387
7156115	3.783	7176023	4.018	7188948	4.081	7192641	10.686	7198307	5.387
7156117	3.757	7176225	4.009	7189037	12.952	7192641	10.701	7198327	4.105
7156118	3.771	7176365	5.812	7189146	12.982	7192656	12.811	7198454	6.361
7156338	6.530	7176693	1.516	7189147	12.982	7192657	12.811	7198455	6.361
7156356	5.111	7176842	3.403	7189176	8.130	7192674	8.130	7198842	10.264
7156363	3.792	7176861	0.636	7189177	8.130	7192675	8.130	7198944	8.024
7156367	3.782	7177209	5.002	7189178	8.130	7192678	12.934	7198947	8.024
7156401	3.731	7177367	4.383	7189179	8.130	7192679	12.934	7199091	0.539
7156428	3.806	7177927	4.383	7189226	8.085	7192788	10.669	7199093	0.549
7156429	3.806	7178657	6.233	7189233	8.085	7192850	10.655	7199108	0.679
7156430	3.806	7180432	1.270	7189308	12.956	7192851	10.655	7199170	0.636
7156434	3.806	7180433	1.270	7189309	12.956	7192872	10.658	7199203	0.519
7156435	3.806	7180743	0.646	7189379	0.386	7192873	10.658	7199276	0.056
7157744	0.423	7180977	3.270	7189391	10.450	7192890	12.803	7199277	0.269
7157882	1.429	7181333	4.300	7189400	12.982	7192891	12.803	7199278	0.269
7157925	0.033	7181339	4.431	7189507	8.036	7193028	10.650	7199290	0.539
7157956	3.273	7181442	4.423	7189509	8.036	7193029	10.650	7199388	0.293
7158165	5.543	7181507	4.430	7189522	1.742	7193032	10.655	7199389	0.293
7158166	5.543	7181511	4.418	7189845	1.762	7193033	10.655	7199398	0.673
7158167	5.543	7182718	1.426	7189846	1.762	7193404	10.500	7199399	0.666
7158729	10.685	7183201	12.982	7189847	3.726	7194477	2.348	7199446	1.073
7158729	10.747	7184239	0.748	7190173	4.668	7194563	3.752	7199458	0.736
7159554	0.096	7184241	0.748	7190174	4.670	7194679	3.731	7199530	10.608
7159554	0.106	7184487	1.159	7190261	6.235	7194680	3.729	7199697	10.556
7159626	0.429	7185476	10.027	7190262	6.235	7194682	3.731	7199824	10.669
7159673	0.730	7186074	12.982	7190272	2.108	7194684	3.791	7199825	10.669
7159971	0.669	7186111	5.382	7190291	2.080	7194684	3.795	7199826	10.669
7161961	4.395	7186122	4.026	7190307	3.737	7194692	3.734	7199827	10.669
7162126	10.998	7186170	5.809	7190428	3.757	7194695	3.805	7199844	10.669
7162127	10.998	7186276	7.370	7191050	12.805	7194696	3.805	7199846	10.686
7162468	5.010	7186322	6.169	7191051	12.805	7194697	3.805	7199847	10.686
7162483	3.735	7186324	6.169	7191139	10.710	7194699	3.754	7199910	10.669
7162758	5.020	7186325	6.169	7191150	12.982	7194701	3.802	7201027	0.533
7162759	5.020	7186342	6.008	7191151	12.982	7194703	3.802	7201028	0.533
7162796	3.754	7186348	6.164	7191297	12.982	7194707	3.800	7201032	1.063
7162853	3.793	7186349	6.164	7191312	9.127	7194710	3.807	7201033	1.069
7162854	3.793	7186350	6.008	7191337	1.270	7194712	3.807	7201046	1.153
7162875	5.149	7186381	7.370	7191338	1.270	7194713	3.807	7201059	1.159
7162882	5.043	7186388	4.625	7191398	10.466	7194714	3.807	7201064	0.603
7164198	6.168	7186393	4.908	7191416	12.805	7194715	3.804	7201067	0.623
7164199	6.168	7186454	4.639	7191417	12.805	7194717	3.803	7201069	0.736
7164244	6.168	7186471	4.764	7191440	8.012	7194718	3.803	7201105	2.374
7164367	5.528	7186474	4.826	7191450	10.710	7194719	3.803	7201108	0.659
7164368	5.526	7186506	0.837	7191451	10.710	7194947	3.754	7201110	0.659
7165633	10.669	7186506	4.636	7191605	1.109	7195815	3.273	7201112	1.079
7165742	10.669	7187306	7.836	7192009	6.509	7195924	3.726	7201130	1.154
7166016	1.652	7187307	7.836	7192014	6.509	7195926	3.726	7201148	1.062
7167971	0.206	7187392	9.779	7192209	0.787	7195980	0.386	7201328	1.065
7168136	5.002	7187392	9.787	7192216	0.787	7196276	6.524	7201416	0.137
7168136	5.546	7187454	10.450	7192223	0.829	7196372	6.524	7201682	9.787
7169542	3.726	7187456	7.836	7192224	0.833	7196373	6.524	7201950	12.805
7169543	3.726	7187457	7.836	7192224	4.627	7196633	10.093	7201951	12.805
7169711	3.275	7187471	8.085	7192331	5.816	7196636	10.092	7202134	0.787
7170074	3.783	7187587	1.429	7192332	5.816	7196754	10.606	7202135	0.844
7170089	3.814	7187697	0.094	7192520	10.694	7197018	8.132	7202136	0.846
7170090	3.782	7187698	0.094	7192521	10.694	7197018	12.182	7202138	0.787
7171275	6.809	7187699	0.094	7192534	10.658	7197402	1.270	7202139	0.797
7171368	4.680	7187700	0.094	7192535	10.658	7197403	1.270	7202191	0.830
7171665	6.008	7187936	0.533	7192566	12.491	7197494	9.787	7202191	4.625
7172560	4.352	7188529	7.524	7192567	12.491	7197495	9.779	7202315	4.301
7173160	2.424	7188537	7.552	7192578	9.779	7198112	6.020	7202335	4.337
7174595	3.806	7188629	6.169	7192578	9.786	7198120	0.795	7202351	0.861
7174597	3.806	7188650	6.103	7192610	12.075	7198174	7.552	7202602	10.146
7174598	3.806	7188651	6.103	7192611	12.075	7198260	4.685	7202769	1.653
7174994	3.793	7188710	5.001	7192633	10.669	7198261	4.685	7202849	5.001

HOLDEN "LJ" PARTS CATALOGUE

PART No.	GROUP	PART No.	GROUP	PART No.	GROUP	PART No.	GROUP	PART No.	GROUP
7202850	5.001	7214415	3.752	7401727	0.929	7406169	3.616	7414611	12.114
7203010	3.163	7214419	3.795	7401768	11.374	7406323	2.291	7414611	12.116
7204074	1.065	7214420	3.763	7401768	11.420	7406323	2.387	7414906	3.275
7204076	0.659	7214421	3.771	7401768	11.611	7406701	3.771	7415042	9.779
7204205	1.426	7214476	0.643	7401768	11.629	7406742	2.385	7415204	5.387
7204236	2.424	7216014	0.679	7402029	0.870	7406788	1.762	7415353	5.822
7204255	0.289	7216192	0.833	7402293	2.596	7406788	4.931	7415559	8.085
7204357	0.423	7216192	4.636	7403054	3.430	7406835	2.108	7415653	3.202
7204469	3.276	7216236	5.398	7403387	3.430	7406859	2.100	7415654	4.685
7204470	0.386	7216271	6.176	7404006	8.036	7406900	2.291	7415746	4.595
7205710	5.537	7216275	6.364	7404734	0.911	7406900	2.387	7415761	0.920
7205711	5.537	7216348	4.403	7404736	0.912	7407400	5.539	7415761	4.662
7205727	4.019	7216476	7.370	7405107	3.767	7408094	5.460	7415943	3.900
7205937	6.008	7216477	7.370	7405109	3.751	7408095	5.460	7416288	2.705
7205938	4.081	7216507	6.168	7405111	3.736	7408096	5.460	7416348	11.634
7206120	0.386	7216562	3.765	7405112	3.773	7408097	5.460	7416627	2.342
7206309	1.654	7216575	6.807	7405118	3.789	7408098	5.460	7416683	3.521
7206309	2.396	7216579	6.809	7405120	3.792	7408099	5.460	7416683	10.163
7206398	3.270	7216687	4.380	7405121	3.792	7408100	5.460	7416930	11.589
7206452	0.736	7216756	3.806	7405122	3.791	7408627	12.186	7417298	13.092
7206609	4.654	7216803	6.235	7405124	3.791	7409929	0.910	7417478	2.892
7206716	3.795	7216825	6.235	7405125	3.791	7409936	4.628	7417490	1.611
7206718	3.802	7217033	1.654	7405131	3.757	7409936	4.636	7417652	4.019
7206719	3.814	7217166	0.094	7405133	3.778	7409949	0.839	7417652	4.020
7206866	5.111	7217186	0.616	7405136	3.784	7409950	0.839	7417652	4.045
7206875	6.255	7217187	0.616	7405138	3.783	7409952	0.934	7417652	4.046
7209071	1.108	7217188	0.616	7405139	3.787	7409965	0.935	7417652	4.050
7209074	1.063	7217189	0.616	7405140	3.736	7409966	0.936	7418077	2.481
7209185	1.742	7217225	1.108	7405141	3.778	7409968	0.937	7418077	9.779
7209189	1.429	7217465	0.669	7405143	3.749	7410046	4.680	7418439	4.019
7209221	1.742	7219119	0.056	7405144	3.756	7410133	10.664	7418439	4.020
7209388	1.065	7219127	0.206	7405145	3.784	7410279	4.035	7418439	4.035
7209450	0.033	7219186	1.762	7405146	3.757	7410279	4.040	7418439	4.040
7209483	1.123	7219217	0.269	7405147	3.772	7410377	11.581	7418548	5.387
7209495	0.309	7219344	0.206	7405148	3.765	7410766	0.929	7418985	8.798
7211158	4.103	7219566	12.803	7405153	3.783	7410794	5.043	7419064	1.928
7211215	4.015	7219567	12.803	7405156	3.775	7410830	14.685	7419526	4.665
7211237	7.552	7224484	3.430	7405158	3.767	7410830	14.760	7419554	12.980
7211304	0.861	7377884	14.685	7405159	3.784	7411804	0.837	7419642	4.038
7211305	0.886	7377884	14.760	7405160	3.782	7411804	4.636	7419667	3.403
7211419	6.524	7377884	15.100	7405162	3.787	7411849	0.921	7419668	3.403
7211458	6.008	7388255	12.948	7405163	3.748	7411849	4.628	7419736	5.822
7212261	2.041	7400162	4.352	7405164	3.734	7411849	4.662	7419900	3.163
7212405	2.100	7400169	0.940	7405165	3.729	7411921	5.517	7420001	1.429
7212406	2.100	7400181	4.103	7405166	3.763	7412147	4.667	7420004	0.207
7213112	1.742	7400181	5.400	7405166	3.795	7412148	4.668	7420011	1.658
7213126	0.296	7400256	4.317	7405167	3.763	7412378	4.671	7420016	1.724
7213127	0.296	7400256	5.400	7405167	3.795	7412404	4.670	7420017	1.654
7213128	0.296	7400279	5.543	7405168	3.748	7412418	4.665	7420025	0.728
7213129	0.296	7400280	5.542	7405170	3.775	7412419	4.665	7420026	0.738
7213130	0.296	7400370	3.754	7405171	3.742	7412432	12.803	7420034	0.519
7213137	0.429	7400393	5.586	7405173	3.729	7413031	2.555	7420057	0.429
7213195	1.656	7400663	0.913	7405174	3.741	7413031	13.092	7420066	1.073
7213221	3.900	7400673	0.914	7405562	2.370	7413032	2.555	7420068	1.109
7213251	0.643	7400948	4.019	7405590	2.083	7413032	13.092	7420069	1.079
7213253	0.429	7400948	4.020	7405604	2.108	7413223	10.783	7420070	1.069
7213254	0.429	7400948	4.030	7405613	2.372	7413223	10.791	7420071	0.296
7213392	0.643	7400948	4.040	7405614	2.372	7413370	2.555	7420072	0.297
7213398	0.643	7400949	3.430	7405615	2.372	7413370	8.798	7420073	0.303
7213400	0.643	7400949	4.019	7405633	2.316	7413400	5.858	7420086	0.623
7213418	0.386	7401111	1.154	7405638	2.410	7413406	6.311	7420106	0.056
7213450	1.837	7401178	2.555	7405645	2.100	7413409	6.313	7420114	0.666
7214411	3.748	7401296	0.033	7405703	2.280	7414105	15.036	7420118	0.669
7214412	3.778	7401304	0.683	7405754	5.019	7414198	3.410	7420124	0.439
7214413	3.773	7401483	3.611	7405970	3.616	7414605	3.403	7420128	0.679
7214414	3.752	7401651	13.092	7406004	0.683	7414611	12.112	7420137	0.293

NUMERICAL INDEX

HOLDEN "LJ" PARTS CATALOGUE

PART No.	GROUP	PART No.	GROUP	PART No.	GROUP	PART No.	GROUP	PART No.	GROUP
7420138	0.269	7421877	0.449	7424666	2.077	7427731	0.296	7429999	4.355
7420151	3.273	7421890	12.242	7424669	2.100	7427732	0.297	7430042	10.185
7420172	0.296	7421939	2.414	7424685	2.316	7427738	0.206	7430096	0.679
7420173	0.296	7422035	1.516	7424746	2.372	7427822	1.066	7430099	0.796
7420174	0.296	7422731	5.545	7424749	2.387	7427905	5.018	7430136	3.521
7420175	0.297	7422733	5.546	7424753	2.382	7427925	5.017	7430136	4.309
7420176	0.297	7422734	5.586	7424757	2.291	7427929	4.665	7430160	3.459
7420177	0.297	7422739	3.410	7424784	5.809	7427962	5.555	7430194	5.017
7420240	3.763	7422779	2.170	7424835	5.111	7428031	0.277	7430233	5.105
7420244	3.764	7422780	2.170	7424836	5.110	7428243	14.799	7430270	0.289
7420258	3.753	7422907	2.170	7424840	8.024	7428280	4.931	7430383	2.697
7420311	0.666	7423203	7.852	7425039	8.800	7428493	3.601	7430402	0.094
7420312	0.669	7423242	5.055	7425109	2.515	7428552	0.844	7430403	0.094
7420335	3.771	7423276	4.686	7425272	10.150	7428705	2.096	7430404	0.094
7420336	4.205	7423279	5.529	7425469	9.620	7428706	2.096	7430406	0.094
7420345	0.033	7423284	1.153	7425615	1.517	7428707	2.096	7430407	0.094
7420412	3.754	7423304	5.188	7425653	5.460	7428740	8.132	7430408	0.094
7420476	2.333	7423305	3.202	7425726	7.632	7428865	3.430	7430409	2.274
7420490	3.757	7423454	2.239	7425993	0.289	7428872	4.681	7430410	2.274
7420687	3.901	7423483	1.453	7426133	3.403	7428873	4.681	7430430	0.096
7420688	3.925	7423483	4.195	7426135	3.410	7428968	2.367	7430430	0.099
7420712	5.816	7423550	6.176	7426138	3.410	7428969	2.382	7430430	0.101
7420713	5.819	7423578	5.041	7426139	3.410	7428970	2.393	7430430	0.103
7420714	4.665	7423613	1.643	7426148	3.410	7428972	2.385	7430431	0.096
7420715	4.666	7423613	2.374	7426211	3.201	7428980	2.388	7430431	0.099
7420743	4.675	7423616	0.536	7426212	2.424	7428982	2.368	7430431	0.101
7420760	4.667	7423657	4.591	7426223	3.521	7429033	10.150	7430431	0.103
7420762	5.151	7423694	1.071	7426226	0.429	7429117	0.616	7430432	0.096
7420771	4.665	7423709	3.003	7426227	0.429	7429119	0.616	7430432	0.099
7420773	4.670	7423746	5.002	7426303	9.743	7429120	0.616	7430432	0.101
7420775	4.669	7423902	1.762	7426400	8.132	7429181	1.803	7430432	0.103
7420776	4.668	7424068	8.024	7426400	12.112	7429228	0.787	7430434	0.096
7420779	5.158	7424198	2.824	7426400	12.114	7429228	0.847	7430434	0.099
7420795	5.150	7424228	8.085	7426400	12.116	7429228	0.852	7430434	0.101
7420798	0.649	7424249	8.024	7426400	12.248	7429241	8.800	7430434	0.103
7420807	5.149	7424263	1.066	7426417	4.610	7429243	8.800	7430435	0.096
7420808	5.149	7424302	2.188	7426554	0.907	7429376	0.616	7430435	0.099
7420847	2.087	7424387	2.670	7426584	3.932	7429377	0.616	7430435	0.101
7420850	2.306	7424535	3.724	7426769	5.026	7429381	0.861	7430435	0.103
7420853	2.298	7424550	3.763	7426770	5.026	7429390	0.839	7430436	0.096
7420983	11.420	7424551	3.780	7426772	5.107	7429459	1.252	7430436	0.099
7420984	11.420	7424554	3.734	7426773	5.107	7429460	1.251	7430436	0.101
7421168	10.829	7424555	3.779	7426774	5.103	7429464	3.288	7430436	0.103
7421214	0.636	7424559	3.731	7426775	5.103	7429465	3.430	7430437	0.106
7421296	3.616	7424566	3.726	7426776	5.103	7429468	3.260	7430438	0.106
7421297	3.616	7424567	3.726	7426777	5.103	7429473	0.289	7430439	0.106
7421475	5.504	7424569	3.754	7426778	5.103	7429476	3.275	7430441	0.106
7421634	5.531	7424575	3.725	7426780	5.105	7429514	3.601	7430442	0.106
7421642	5.536	7424617	3.731	7426781	5.105	7429519	0.603	7430443	0.106
7421643	5.536	7424617	3.781	7426782	5.105	7429521	3.270	7430444	0.616
7421645	5.484	7424618	3.731	7426783	5.045	7429532	3.611	7430445	0.616
7421646	5.484	7424618	3.781	7426790	5.111	7429537	3.616	7430446	0.616
7421647	5.506	7424631	2.087	7426808	5.045	7429539	3.610	7430448	0.616
7421648	5.469	7424633	2.096	7426874	8.800	7429551	4.007	7430449	0.616
7421649	5.545	7424642	2.049	7426881	2.596	7429562	0.426	7430450	0.616
7421650	5.537	7424644	2.049	7426909	1.611	7429637	0.934	7430451	0.616
7421659	8.036	7424645	2.049	7426937	1.723	7429728	0.616	7430452	0.616
7421664	5.453	7424647	2.083	7427227	1.745	7429729	0.616	7430453	0.616
7421668	5.545	7424648	2.108	7427320	2.727	7429766	0.844	7430454	0.616
7421671	5.447	7424649	2.108	7427321	2.725	7429774	0.533	7430496	3.270
7421672	5.447	7424652	2.043	7427343	3.783	7429798	3.616	7430531	11.588
7421673	5.506	7424653	2.086	7427353	2.670	7429805	3.616	7430583	3.601
7421719	5.504	7424657	2.067	7427353	7.796	7429820	13.090	7430603	12.112
7421765	3.112	7424660	2.051	7427418	0.748	7429828	0.904	7430603	12.114
7421813	5.505	7424661	2.053	7427510	4.680	7429955	13.090	7430623	4.337
7421853	1.835	7424665	2.063	7427625	1.516	7429966	4.382	7430789	7.633

HOLDEN "LJ" PARTS CATALOGUE

PART No.	GROUP	PART No.	GROUP	PART No.	GROUP	PART No.	GROUP	PART No.	GROUP
7430797	8.132	7433488	12.116	7434920	11.377	7437668	4.685	7438405	1.762
7430802	12.116	7433510	9.648	7434921	11.377	7437692	4.009	7438410	11.960
7430803	8.132	7433520	0.902	7434922	14.860	7437712BA	14.686	7438477	0.277
7430803	12.112	7433521	0.902	7434923	14.860	7437712BA	14.762	7438478	0.277
7430803	12.116	7433522	0.924	7434961	4.653	7437712BB	14.686	7438527	4.383
7430865	1.069	7433631	1.453	7434978	4.383	7437712BB	14.762	7438528	4.931
7430869	5.504	7433633	1.453	7434996	10.187	7437712BD	14.686	7438532	3.003
7430870	5.504	7433653	9.644	7434998	10.187	7437712BD	14.762	7438532	3.163
7430879	2.500	7433686	0.847	7435027	10.797	7437712BE	14.686	7438536	4.019
7430917	4.342	7433702	4.625	7435043	4.384	7437712BE	14.762	7438537	4.019
7430921	4.338	7433737	3.616	7435044	4.380	7437712BG	14.686	7438562	1.762
7430922	0.736	7433738	3.616	7435045	4.380	7437712BG	14.762	7438563	4.337
7430968	4.337	7433742	0.852	7435047	4.384	7437712BT	14.686	7438567	5.871
7430970	4.337	7433743	0.852	7435064	2.725	7437712BT	14.762	7438568	5.871
7430972	4.337	7433767	4.318	7435153	5.508	7437712BU	14.686	7438596	11.175
7431087	2.170	7433768	4.317	7435242	10.512	7437712BU	14.762	7438599BA	14.799
7431327	0.646	7433769	4.109	7435270	5.529	7437712CA	14.686	7438599BB	14.799
7431365	2.810	7433771	4.105	7435305	11.377	7437712CA	14.762	7438599BD	14.799
7431380	0.830	7433772	4.311	7435374	1.516	7437712CB	14.686	7438599BE	14.799
7431380	4.625	7433773	4.311	7435382	5.505	7437712CB	14.762	7438599BG	14.799
7431533	0.673	7433774	4.304	7435393	0.683	7437712CD	14.686	7438599BT	14.799
7431746	0.736	7433775	4.303	7435394	0.683	7437712CD	14.762	7438599BU	14.799
7431816	4.035	7433776	4.423	7435401	4.009	7437712CE	14.686	7438599CA	14.799
7431996	3.704	7433793	0.797	7435413	9.640	7437712CE	14.762	7438599CB	14.799
7432030	2.487	7433794	0.797	7435546	5.510	7437712CG	14.686	7438599CD	14.799
7432145	10.185	7433806	3.260	7435598	12.114	7437712CG	14.762	7438599CE	14.799
7432222	4.081	7433806	9.779	7435647	4.337	7437712CJ	14.686	7438599CG	14.799
7432235	4.081	7433829	3.704	7435802	4.661	7437712CJ	14.762	7438599CJ	14.799
7432236	4.081	7433830	4.395	7435803	4.661	7437712DA	14.686	7438599DA	14.799
7432237	3.265	7433832	4.351	7435914	6.321	7437712DA	14.762	7438599DB	14.799
7432239	3.265	7433839	0.787	7435937	9.648	7437712DB	14.686	7438599DC	14.799
7432281	10.152	7433839	0.852	7436154	0.906	7437712DB	14.762	7438599DE	14.799
7432324	10.152	7433868	4.430	7436155	0.929	7437712DC	14.686	7438599DF	14.799
7432326	10.152	7433869	4.309	7436183	0.902	7437712DC	14.762	7438599DG	14.799
7432393	7.629	7433871	4.403	7436184	0.902	7437712DE	14.686	7438607	5.816
7432435	8.081	7433895	0.796	7436220	3.616	7437712DE	14.762	7438614	12.491
7432638	5.510	7433896	0.798	7436254	2.892	7437712DF	14.686	7438615	12.491
7432672	12.242	7433927	4.311	7436448	0.683	7437712DF	14.762	7438646	5.111
7432748	10.152	7433928	4.423	7436448	4.226	7437712DG	14.686	7438659	12.112
7432749	8.085	7433929	4.408	7436460	2.822	7437712DG	14.762	7438659	12.114
7432888	2.737	7433986	4.433	7436752	2.239	7437728	10.712	7438659	12.116
7432889	2.729	7433993	4.342	7436769	3.521	7437763	11.610	7438664	10.694
7432904	7.836	7433998	4.317	7436987	3.402	7437765	11.611	7438665	10.694
7432906	13.092	7434091	0.844	7437043	0.844	7437800	12.112	7438673	12.491
7432961	2.333	7434092	0.848	7437055	4.383	7437801	12.112	7438674	12.491
7433126BA	6.513	7434127	0.848	7437062	5.803	7437814	4.931	7438707	10.506
7433126CE	6.513	7434165	2.333	7437067	2.697	7437880	9.779	7438719	10.556
7433126CJ	6.513	7434166	2.819	7437072	10.146	7437938	4.081	7438720	0.027
7433126DD	6.513	7434224	0.659	7437106	12.075	7438035	5.527	7438754	5.011
7433126DG	6.513	7434266	4.342	7437107	12.075	7438083	2.810	7438769	3.402
7433127	2.824	7434301	0.646	7437131	4.018	7438087	0.277	7438806	5.529
7433139	4.652	7434307	4.421	7437135	10.652	7438089	4.665	7438815	0.027
7433162	4.652	7434308	4.418	7437136	10.652	7438090	4.665	7438816	0.027
7433213	4.659	7434506	0.797	7437243	6.168	7438095	3.430	7438862	9.709
7433242	2.895	7434507	0.797	7437267	7.370	7438096	3.430	7438961	12.805
7433250	1.762	7434562	10.559	7437268	7.370	7438107	12.114	7438962	12.805
7433257	4.007	7434563	10.559	7437317	4.337	7438144	5.510	7438963	12.934
7433264	4.017	7434718	2.333	7437392	5.529	7438157	3.430	7438964	12.934
7433265	6.518	7434726	0.623	7437482	12.982	7438159	4.670	7438965	12.491
7433317	2.895	7434738	0.308	7437561	10.783	7438204	10.695	7438966	12.491
7433326	2.895	7434806	2.727	7437562	10.783	7438308	4.665	7438967	12.956
7433327	2.270	7434911	11.377	7437621	10.681	7438309	4.665	7438968	12.956
7433352	6.518	7434913	11.377	7437622	10.681	7438378	4.826	7438993	10.500
7433369AG	2.897	7434914	11.377	7437637	10.710	7438390	4.668	7438994	10.500
7433488	12.112	7434916	11.377	7437638	10.710	7438395	4.342	7438999	12.807
7433488	12.114	7434917	11.377	7437667	4.685	7438404	1.762	7439072	3.609

HOLDEN "LJ" PARTS CATALOGUE

PART No.	GROUP	PART No.	GROUP	PART No.	GROUP	PART No.	GROUP	PART No.	GROUP
7439076	4.665	7439928CE	15.390	7447343DB	10.511	7448370	8.798	7449704	4.081
7439078	10.563	7439928CG	15.390	7447343DC	10.511	7448372	6.760	7449704	6.008
7439082	4.342	7439928CJ	15.390	7447343DG	10.511	7448395	6.758	7449704	12.982
7439085	0.852	7439928CY	15.390	7447472	8.079	7448396	6.758	7449708	6.168
7439093	3.609	7439928DA	15.390	7447501	10.664	7448437	2.737	7449712	6.169
7439105	3.704	7439928DB	15.390	7447502	10.664	7448463	0.830	7449749	10.998
7439121	3.704	7439928DC	15.390	7447569	2.342	7448468	0.833	7449753	12.184
7439124	3.701	7439928DE	15.390	7447574	2.342	7448468	4.627	7449761	11.200
7439187	0.027	7439928DF	15.390	7447580	9.787	7448474	6.518	7449811	6.020
7439232CA	14.651	7439928DG	15.390	7447637	11.960	7448475	12.967	7449812	6.020
7439232CB	14.651	7439930	4.017	7447638	8.154	7448482	9.620	7449822	12.944
7439232CD	14.651	7440000	7.831	7447681	9.779	7448483	9.620	7449823	12.944
7439232CE	14.651	7441283BA	10.511	7447735	8.132	7448490	0.388	7449856	4.650
7439232CG	14.651	7441283BW	10.511	7447833	10.712	7448553	8.800	7449910	2.555
7439232CJ	14.651	7441283CK	10.511	7447834	11.928	7448554	8.800	7449955	7.535
7439326	3.430	7441283CL	10.511	7447836	11.925	7448564	10.716	7449977	3.001
7439329	3.430	7441283CM	10.511	7447862	2.726	7448620	4.081	7449979	7.831
7439330	3.430	7441283CY	10.511	7447875	6.508	7448624	0.795	7449999	4.020
7439332	3.459	7441283DJ	10.511	7447905	1.159	7448628	12.982	7450000	4.019
7439334	3.430	7441283DK	10.511	7447906	1.159	7448656	7.632	7731353	10.515
7439335	3.430	7441283DL	10.511	7447907	1.159	7448657	8.132	7731353	10.797
7439336	3.430	7441283DM	10.511	7447931	14.630	7448657	12.112	7800269	2.896
7439620	0.277	7441302	1.803	7447931BA	14.630	7448657	12.114	7800269	6.521
7439689	10.571	7441596	2.170	7447931BB	14.630	7448657	12.116	7800580	2.895
7439693	0.679	7441635	3.410	7447931BD	14.630	7448658	8.132	7800580	6.521
7439715	0.429	7441640	4.009	7447931CJ	14.630	7448658	12.112	7800581	2.895
7439732	3.459	7441642	2.170	7447931DA	14.630	7448658	12.114	7800581	6.521
7439773	10.093	7441689	3.900	7447931DB	14.630	7448658	12.116	7804410	2.195
7439798	11.175	7441715	3.003	7447931DD	14.630	7448697	3.430	7804412	2.195
7439827BA	15.390	7441715	3.163	7447931DE	14.630	7448698	3.430	7804413	6.518
7439827BB	15.390	7441716	3.163	7447931DG	14.630	7448753	1.656	7804771	6.521
7439827BD	15.390	7441717	3.201	7447932	14.630	7448793	5.441	7805950	2.188
7439827BE	15.390	7441885	4.005	7447932BA	14.630	7448794	5.441	7806046	2.195
7439827BG	15.390	7441890	10.262	7447932BB	14.630	7448795	6.020	7950173	3.932
7439827BT	15.390	7441906	2.590	7447932CJ	14.630	7448826	0.388	7950366	3.932
7439827BU	15.390	7441935	2.333	7447932DA	14.630	7448842	2.728	7950526	3.929
7439827CA	15.390	7441937	2.333	7447932DB	14.630	7448909	11.204	7950671	3.927
7439827CB	15.390	7441938	2.333	7447932DD	14.630	7448941	10.571	7950755	3.910
7439827CD	15.390	7441985	8.024	7447932DE	14.630	7448956	12.810	7950756	3.910
7439827CE	15.390	7447027	10.998	7447932DG	14.630	7449079	2.824	7950760	3.910
7439827CG	15.390	7447068	2.333	7447944	9.680	7449100	11.207	7951994	2.362
7439827CJ	15.390	7447111	2.726	7448003BA	15.040	7449209	1.063	7952136	2.414
7439827CY	15.390	7447132	1.270	7448003BD	15.040	7449280	5.382	7952137	2.414
7439827DA	15.390	7447133	1.270	7448003BG	15.040	7449283	5.382	7952825	2.368
7439827DB	15.390	7447147	2.589	7448003BT	15.040	7449333	6.508	7952825	2.410
7439827DC	15.390	7447148	2.589	7448003BU	15.040	7449369	2.896	7952826	2.368
7439827DE	15.390	7447150	9.786	7448003CJ	15.040	7449396	1.652	7952830	2.410
7439827DF	15.390	7447151	1.270	7448003DD	15.040	7449397	1.653	7952833	2.372
7439827DG	15.390	7447152	1.270	7448003DG	15.040	7449435	5.387	7952839	2.400
7439844	3.459	7447167	0.787	7448013BA	15.040	7449457	12.913	7952856	2.400
7439883	11.179	7447217	2.585	7448013BB	15.040	7449458	12.913	7952978	2.385
7439884	11.179	7447218	2.585	7448013BD	15.040	7449495	4.352	7952980	2.389
7439885	11.179	7447220	2.596	7448013BE	15.040	7449496	4.422	7953010	2.400
7439886	11.179	7447246	11.611	7448013BG	15.040	7449498	4.003	7953060	2.372
7439920	3.609	7447247	11.611	7448013BT	15.040	7449524	2.596	7953253	2.361
7439922	3.701	7447248	11.611	7448013BU	15.040	7449526	4.667	7953383	2.384
7439928BA	15.390	7447249	11.611	7448013CE	15.040	7449547	5.382	7953416	2.410
7439928BB	15.390	7447250	11.610	7448013CJ	15.040	7449548	5.382	7953425	2.362
7439928BD	15.390	7447282	2.697	7448013DD	15.040	7449549	5.382	7953427	2.379
7439928BE	15.390	7447311	10.264	7448021	1.270	7449550	5.382	7953430	2.367
7439928BG	15.390	7447343BA	10.511	7448250	1.219	7449562	4.133	7953432	2.385
7439928BT	15.390	7447343BT	10.511	7448260	10.681	7449652	8.079	7953438	2.381
7439928BU	15.390	7447343CA	10.511	7448261	10.681	7449664	3.430	7953448	2.384
7439928CA	15.390	7447343CB	10.511	7448338	12.112	7449691	7.831	7953553	2.388
7439928CB	15.390	7447343CJ	10.511	7448339	12.112	7449693	4.681	7953579	2.361
7439928CD	15.390	7447343DA	10.511	7448369	8.798	7449703	6.008	7953612	2.410

HOLDEN "LJ" PARTS CATALOGUE

PART No.	GROUP	PART No.	GROUP	PART No.	GROUP	PART No.	GROUP	PART No.	GROUP
7953722	2.362	8813496	0.297	8819074	4.658	8829431	0.297	8838340	4.006
7953730	2.385	8813592	6.020	8819110	3.804	8830547	1.709	8838345	5.420
7953734	2.361	8813785	4.107	8819204	1.723	8830605	3.805	8838349	4.019
7953782	2.410	8813961	0.686	8819206	1.709	8830606	3.763	8838466	4.019
7953784	2.372	8814074	10.456	8819207	1.723	8830607	3.791	8838467	4.019
7953787	2.381	8814075	10.456	8819209	1.723	8830608	3.791	8838468	4.019
7953800	2.400	8814114	10.460	8819210	1.709	8830621	3.771	8838469	4.006
7953803	2.385	8814115	10.460	8819219	6.233	8830628	3.791	8838470	4.006
7953834	2.362	8814150	10.456	8819298	3.731	8830637	3.775	8838471	4.006
7953848	2.389	8814150	10.460	8819300	3.773	8830639	3.807	8838472	4.006
7953981	2.361	8814310	10.701	8819555	1.656	8830671	1.709	8838473	4.006
7955504	3.410	8815069	3.729	8819559	1.426	8830710	3.792	8838985	2.555
7960088	8.079	8815072	3.778	8819590	0.296	8830740	5.018	8838986	2.555
7960382	10.475	8815077	3.791	8819892	1.928	8830741	5.018	8839096	0.649
7960383	10.475	8815081	3.731	8820900	10.694	8830746	5.149	8839201	0.289
7960804	8.081	8815083	3.795	8822053	4.685	8830747	5.149	8839306	3.265
7960944	10.475	8815148	3.791	8822156	4.384	8830749	5.041	8839416	0.027
7960945	10.475	8815149	3.795	8822157	4.384	8830750	5.026	8839538	3.163
7961344	1.837	8815151	3.734	8822277	4.421	8830751	5.026	8839542	0.206
7965001	1.837	8815152	3.737	8822278	4.395	8830752	5.026	8841598	3.270
7965138	1.837	8815153	3.805	8822279	4.415	8830753	5.149	8841622	0.269
7965685	1.837	8815155	3.754	8822350	5.010	8830762	3.754	8841623	0.269
7966887	1.516	8815158	3.749	8822351	5.010	8830771	5.018	8841624	0.269
7971211	3.925	8815159	3.800	8822358	4.685	8830772	5.017	8841736	3.720
7972117	0.386	8815201	2.067	8822359	4.685	8830773	5.019	8841885	0.459
7972823	3.410	8815210	2.085	8822491	5.809	8830833	4.669	8841990	3.260
7973235	1.835	8815212	2.101	8822565	1.762	8830991	3.765	8842013	3.260
7973238	1.837	8815218	2.077	8822593	1.762	8830992	3.752	8843748	0.861
7973446	1.837	8815219	2.077	8822632	0.629	8831518	0.206	8843876	4.356
7977598	10.569	8815244	2.070	8822633	0.629	8831574	1.516	8843972	5.001
7977599	10.569	8815246	2.067	8822634	0.629	8831668	2.251	8843973	5.001
7977600	10.571	8815248	2.108	8822823	3.260	8831668	3.270	8844947	4.015
7977601	10.571	8815249	2.108	8822824	3.260	8831746	0.666	8845444	5.020
7980033	3.410	8815256	2.086	8822865	1.426	8831975	0.666	8845739	4.670
7987826	3.402	8815257	2.087	8822866	0.303	8831977	0.646	8847696	3.265
7990041	3.900	8815258	2.087	8822867	0.303	8832382	0.787	8847737	4.376
7992054	2.410	8815259	2.085	8822893	1.657	8832383	0.787	8847859	0.726
7992075	2.372	8815260	2.096	8822990	1.652	8834034	0.679	8847861	0.726
7992076	2.381	8815261	2.063	8825574	3.720	8834103	0.027	8847862	0.206
7992083	2.372	8815262	2.063	8825645	1.453	8834180	4.019	8847863	0.533
7992118	2.381	8815263	2.043	8825682	3.726	8834351	4.418	8847888	3.720
7992125	2.389	8815265	2.049	8825688	3.265	8834364	4.006	8849624	3.800
8623056	4.282	8815293	6.168	8825732	0.153	8834377	4.019	8849625	3.800
8623653	4.127	8815405	1.723	8825733	0.153	8834379	4.020	8849653	5.002
8625571	0.683	8815417	0.884	8825734	0.153	8834389	4.006	8849828	3.760
8786143	10.266	8815816	10.710	8825735	0.153	8834390	4.301	8849834	3.725
8786144	10.266	8815818	10.710	8825736	0.153	8834396	6.307	8849870	0.289
8810174	4.650	8815997	10.712	8825737	0.153	8834397	4.006	8849920	0.423
8810180	4.931	8816552	0.137	8825950	2.414	8834506	5.010	8849939	0.649
8810483	4.317	8816615	3.725	8827050	0.799	8834507	5.010	8850004	0.459
8810499	4.384	8816636	3.601	8827094	4.337	8835155	0.659	8850015	1.069
8810500	4.384	8816667	0.629	8827184	4.680	8835211	0.669	8850019	1.109
8813026	10.606	8816668	0.629	8827188	0.027	8835236	0.308	8850037	3.403
8813140	0.386	8816669	0.629	8827306	6.168	8835379	1.429	8850096	0.033
8813253	1.073	8816765	3.275	8827497	7.545	8838109	4.301	8850097	0.033
8813253	3.260	8816812	0.033	8827498	7.545	8838162	3.158	8850099	0.033
8813275	3.201	8816990	0.386	8829012	0.519	8838194	4.019	8850997	4.317
8813277	0.724	8816991	0.386	8829153	0.296	8838200	4.019	8851026	0.886
8813341	0.308	8818272	10.606	8829154	0.296	8838222	5.103	8851088	5.399
8813346	3.275	8818272	10.608	8829155	0.296	8838223	4.020	8851168	6.170
8813347	3.275	8818273	10.606	8829156	0.296	8838238	0.683	8851189	4.355
8813348	3.275	8818273	10.608	8829337	0.679	8838245	4.020	8851196	4.351
8813348	3.288	8818632	6.361	8829404	0.209	8838271	4.313	8851200	4.356
8813366	0.519	8818815	7.503	8829428	0.297	8838273	2.697	8851815	3.260
8813373	0.659	8818876	4.301	8829429	0.297	8838280	4.006	8851830	0.423
8813471	3.276	8818934	4.337	8829430	0.297	8838339	2.697	8851896	3.265

NUMERICAL INDEX

HOLDEN "LJ" PARTS CATALOGUE

PART No.	GROUP	PART No.	GROUP	PART No.	GROUP	PART No.	GROUP	PART No.	GROUP
8851897	3.265	9427658	0.683	9928929DC	14.651	9930448	2.275	9933842	6.508
8852016	0.519	9677326	9.675	9928929DE	14.651	9930490	9.779	9933947	6.508
8852043	1.123	9695953	9.675	9928929DF	14.651	9930510	8.823	9934039	0.659
8852481	4.015	9902807	0.553	9928929DG	14.651	9930562	3.726	9934043	0.296
8853694	3.803	9902809	0.553	9929029	6.508	9930691	3.028	9934044	0.269
8853733	6.307	9905264	6.524	9929031	6.508	9930759	1.426	9934056	1.652
8853912	5.001	9905541	0.386	9929032	6.508	9930831	0.001	9934057	1.610
8853913	5.001	9905549	0.870	9929035	6.518	9930909	4.356	9934058	1.064
8853963	4.317	9905556	1.069	9929036	6.518	9930921	4.351	9934059	3.601
8853965	4.006	9905664	3.275	9929041	0.027	9930927BA	6.513	9934062	3.609
8854084	4.421	9905678	0.679	9929042	0.027	9930927CE	6.513	9934095	0.296
8854088	5.545	9905680	0.027	9929052	4.007	9930927CJ	6.513	9934104	5.420
8854274	4.015	9905839	3.275	9929055	4.007	9930927DD	6.513	9934106	5.510
8854697	0.386	9906034	1.762	9929056	4.006	9930927DG	6.513	9934107	5.510
8854737	0.033	9906074	10.669	9929057	4.006	9930986	4.003	9934109	5.504
8855692	4.020	9906122	0.533	9929101	6.518	9931278	2.342	9934169	3.410
8855860	5.545	9928165	5.813	9929153	4.003	9931326	0.629	9934276	1.426
8855906	4.205	9928166	5.813	9929165	0.137	9931327	0.629	9934300CY	14.880
8855923	6.169	9928167	5.803	9929209	2.275	9931329	0.629	9934300DB	14.880
8856567	4.654	9928262	5.875	9929240	10.147	9931330	0.629	9934300DE	14.880
8856567	4.667	9928278	5.871	9929279	4.226	9931331	0.629	9934300DF	14.880
8856568	4.665	9928316BA	14.798	9929528	4.904	9931332	0.629	9934301DE	14.800
8856573	2.108	9928316BT	14.798	9929530	4.040	9931389CY	4.608	9934301DF	14.800
8953215	4.006	9928316CJ	14.798	9929550	12.980	9931403	0.388	9934301DG	14.800
8953218	4.006	9928316DD	14.798	9929551	12.980	9931586BA	15.040	9934302CY	15.035
8953233	4.019	9928316DG	14.798	9929554	2.515	9931586BB	15.040	9934302DB	15.035
8953564	4.006	9928318BA	14.798	9929555	2.515	9931586BD	15.040	9934302DC	15.035
8953627	4.006	9928318BB	14.798	9929556	2.515	9931586BE	15.040	9934302DE	15.035
8957856	4.012	9928318BD	14.798	9929557	2.515	9931586BG	15.040	9934302DF	15.035
9410884	4.156	9928318BG	14.798	9929558	2.515	9931586BT	15.040	9934302DG	15.035
9411372	1.221	9928318BT	14.798	9929578	12.972	9931586BU	15.040	9934303BA	15.000
9411834	4.294	9928318BU	14.798	9929580	12.972	9931586CE	15.040	9934303CA	15.000
9414193	4.422	9928318CE	14.798	9929589	2.515	9931586CJ	15.040	9934303CD	15.000
9416017	4.826	9928318CJ	14.798	9929607	7.836	9931586DD	15.040	9934303CE	15.000
9417350	1.221	9928318DD	14.798	9929608	7.836	9931586DG	15.040	9934303CG	15.000
9417863	2.515	9928318DG	14.798	9929634	0.666	9931587BA	14.798	9934303CJ	15.000
9417863	2.714	9928573	4.081	9929659	0.027	9931587CE	14.798	9934303CP	15.000
9417863	2.893	9928573	12.982	9929681	4.265	9931587CJ	14.798	9934303CY	15.000
9417863	4.610	9928574	4.081	9929681	4.279	9931587DD	14.798	9934303DB	15.000
9417866	2.679	9928574	12.982	9929723	6.008	9931587DG	14.798	9934303DC	15.000
9417867	2.585	9928584	12.982	9929748	8.112	9931588BA	14.798	9934303DE	15.000
9417867	2.679	9928601	5.803	9929749	8.112	9931588CE	14.798	9934303DF	15.000
9419378	3.265	9928643	2.895	9929764	7.836	9931588CJ	14.798	9934303DG	15.000
9420908	4.038	9928656	4.081	9929765	7.836	9931588DD	14.798	9934521	2.188
9421330	2.515	9928667	4.081	9929766	12.980	9931588DG	14.798	9934587	2.188
9421330	2.585	9928668	4.081	9929767	12.980	9931589BA	14.798	9934675	3.402
9421330	2.893	9928674	3.725	9929768	12.980	9931589CE	14.798	9934983BA	14.798
9421330	4.610	9928675	3.725	9929769	12.980	9931589CJ	14.798	9934983DD	14.798
9422278	7.370	9928676	3.725	9929908	12.895	9931589DD	14.798	9934983DG	14.798
9422278	7.552	9928677	3.725	9929909	12.895	9931589DG	14.798	9934984BA	14.798
9422280	5.002	9928697	0.386	9929916	6.008	9931664	2.317	9934984DD	14.798
9422280	5.382	9928698	0.386	9929929	2.555	9931665	2.277	9934984DG	14.798
9422280	7.370	9928699	1.745	9929956	6.008	9931778	4.205	9934985BA	14.798
9422282	6.164	9928722	3.260	9930035	4.226	9931877	6.168	9934985DD	14.798
9422282	7.370	9928762	0.643	9930037	4.128	9932091	4.685	9934985DG	14.798
9422298	7.242	9928763	0.643	9930038	4.128	9932211	0.603	9934986BA	14.798
9422301	5.382	9928795	4.230	9930185	3.028	9932232	1.762	9934986DD	14.798
9422301	6.008	9928800	1.203	9930186	3.402	9932266	0.386	9934986DG	14.798
9422863	4.596	9928834	3.609	9930275CA	9.680	9932267	0.386	9934987BA	14.798
9423842	0.429	9928835	3.609	9930275CJ	9.680	9932545	4.265	9934987DD	14.798
9423842	4.226	9928836	3.609	9930275CY	9.680	9932546	4.265	9934987DG	14.798
9425450	4.081	9928837	3.609	9930275DC	9.680	9932810	6.168	9934988BA	14.798
9426332	2.481	9928914	4.018	9930275DE	9.680	9933745	4.018	9934988DD	14.798
9426333	2.481	9928929BA	14.651	9930275DF	9.680	9933746	4.018	9934988DG	14.798
9426341	2.481	9928929DA	14.651	9930275DG	9.680	9933747	4.018	9934989BA	15.040
9427182	0.683	9928929DB	14.651	9930308	2.424	9933841	6.508	9934989DD	15.040

HOLDEN "LJ" PARTS CATALOGUE

PART No.	GROUP	PART No.	GROUP	PART No.	GROUP	PART No.	GROUP	PART No.	GROUP
9934989DG15.040	99368600.033	99618220.629	99685750.094		
9934990BA15.040	99368610.033	99618230.629	99687610.643		
9934990DD15.040	99368620.033	99618240.629	99687640.643		
9934990DG15.040	99368650.033	99618250.629	99687650.643		
9934991BA14.798	99368720.033	99618780.289	99687660.643		
9934991DD14.798	99375612.731	99619010.289	99687670.643		
9934991DG14.798	99375629.632	99620233.611	110473920.206		
9934992BA14.798	99381604.904	99620580.796	881540001.723		
9934992DD14.798	99586494.300	99620924.301	910000064.108		
9934992DG14.798	99591912.697	99622324.103	910025695.855		
9934993BA15.040	99604070.297	99630313.275	910032624.107		
9934993DD15.040	99611220.886	99631073.201	910058991.652		
9934993DG15.040	99611230.861	99632374.003	910085320.289		
9934994BA15.040	99611290.666	99640010.293	910087295.017		
9934994DD15.040	99617013.763	99640020.293	910088571.071		
9934994DG15.040	99617920.629	99658234.022				
99350243.402	99617930.629	99660720.386				
99350271.762	99617940.629	99661820.033				
99351290.033	99617950.629	99668505.382				
99352033.402	99617960.629	99668515.382				
99364052.555	99617970.629	99685730.094				
99366310.033	99618020.629	99685740.094				
99368590.033								

A decorative border with a repeating floral pattern surrounds the text.

Warranty

REPLACEMENT PARTS & ACCESSORIES

Should any defect in material or workmanship develop within the period of this Warranty, in any Part or Accessory purchased from GM Parts and Accessories, such Part or Accessory will be repaired or replaced without cost through the source from which the Part or Accessory was purchased.

This Warranty is valid for ninety days from the date of fitment of the Part or Accessory to the vehicle or for the first 6500 kilometres after installation of such Part or Accessory, whichever termination is first reached.

When a Replacement Part or Accessory is found to be defective within ninety days or 6500 kilometres after fitment, and is replaced outside the new Car Warranty period GM Parts and Accessories will accept labour charges involved in replacing the Part or Accessory at the current Warranty labour rate. Removal and replacement times set out in the Service Department Standard Time Manual are to be used in calculating the labour charges.

Labour will not be allowed for replacing a faulty Part or Accessory which is sold over the counter and fitted by other than a GM Dealer or Distributor.

IMPORTANT: The Warranty which accompanies General Motors-Holden's Cars and Trucks becomes null and void when Parts not made or sold by GM Parts and Accessories, Division of General Motors-Holden's Pty. Limited, are used for replacement of original equipment.



AVAILABLE FROM GM. P. & A. DISTRIBUTORS AND GMH DEALERS